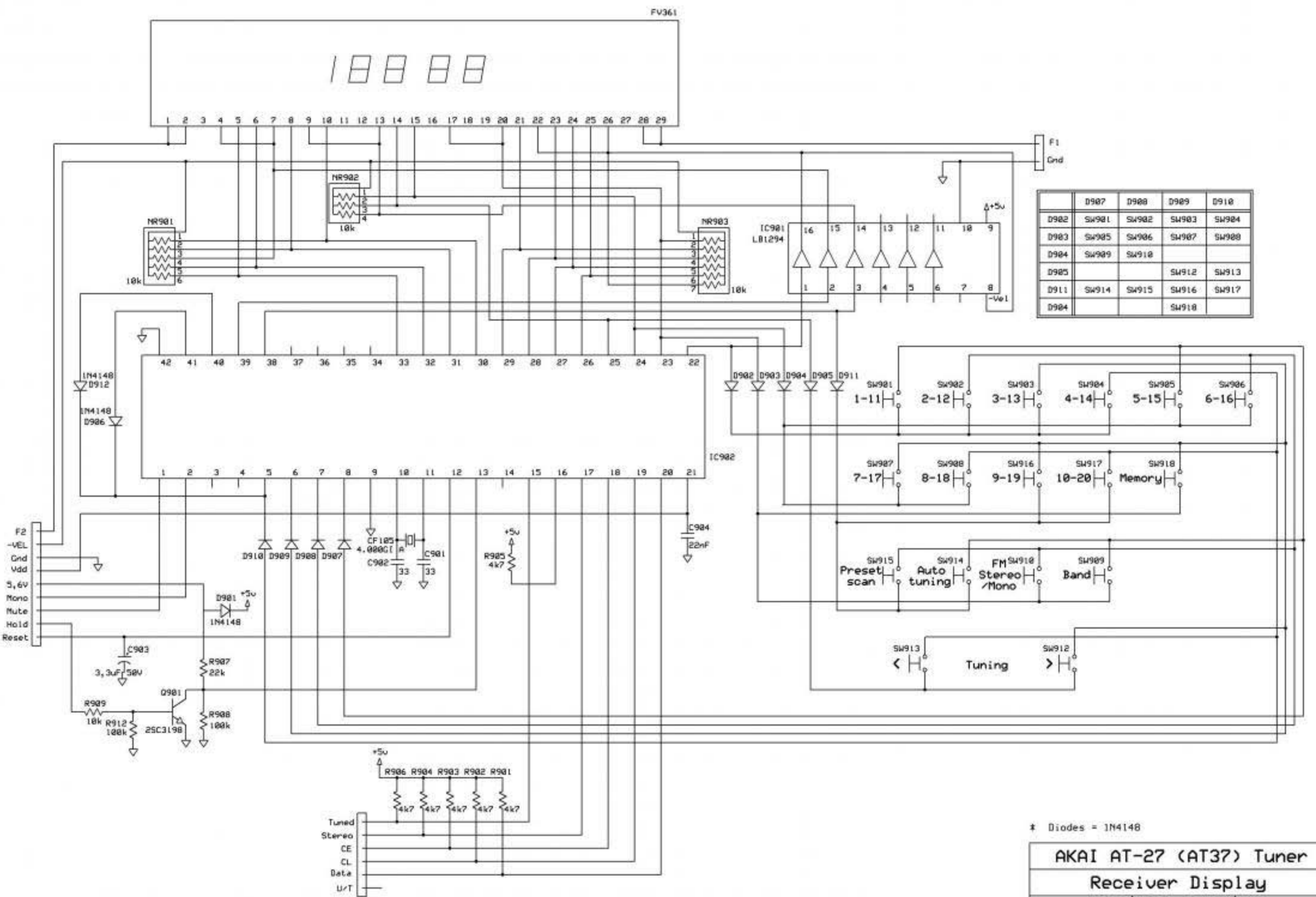


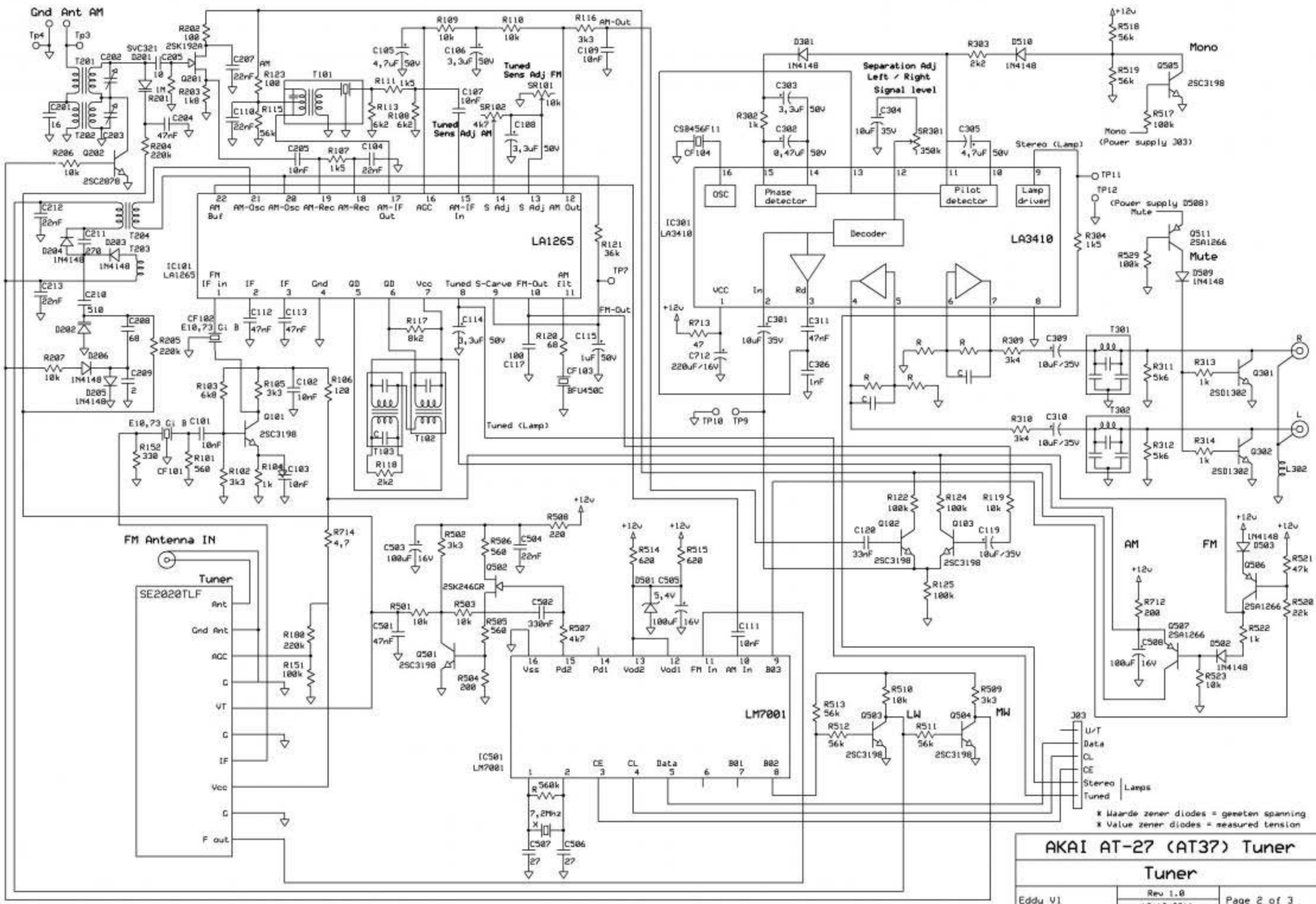
\* Waarde zener diodes = gemeten spanning  
 \* Value zener diodes = measured tension

<b>AKAI AT-27 (AT37) Tuner</b>		
<b>Tuner</b>		
Eddy V1	Rev 1.0 13/12/2011	Page 2 of 3



	D907	D908	D909	D910
D902	SW901	SW902	SW903	SW904
D903	SW905	SW906	SW907	SW908
D904	SW909	SW910		
D905			SW912	SW913
D911	SW914	SW915	SW916	SW917
D904			SW918	

\* Diodes = 1N4148



\* Waarde zener diodes = gemeten spanning  
 \* Value zener diodes = measured tension