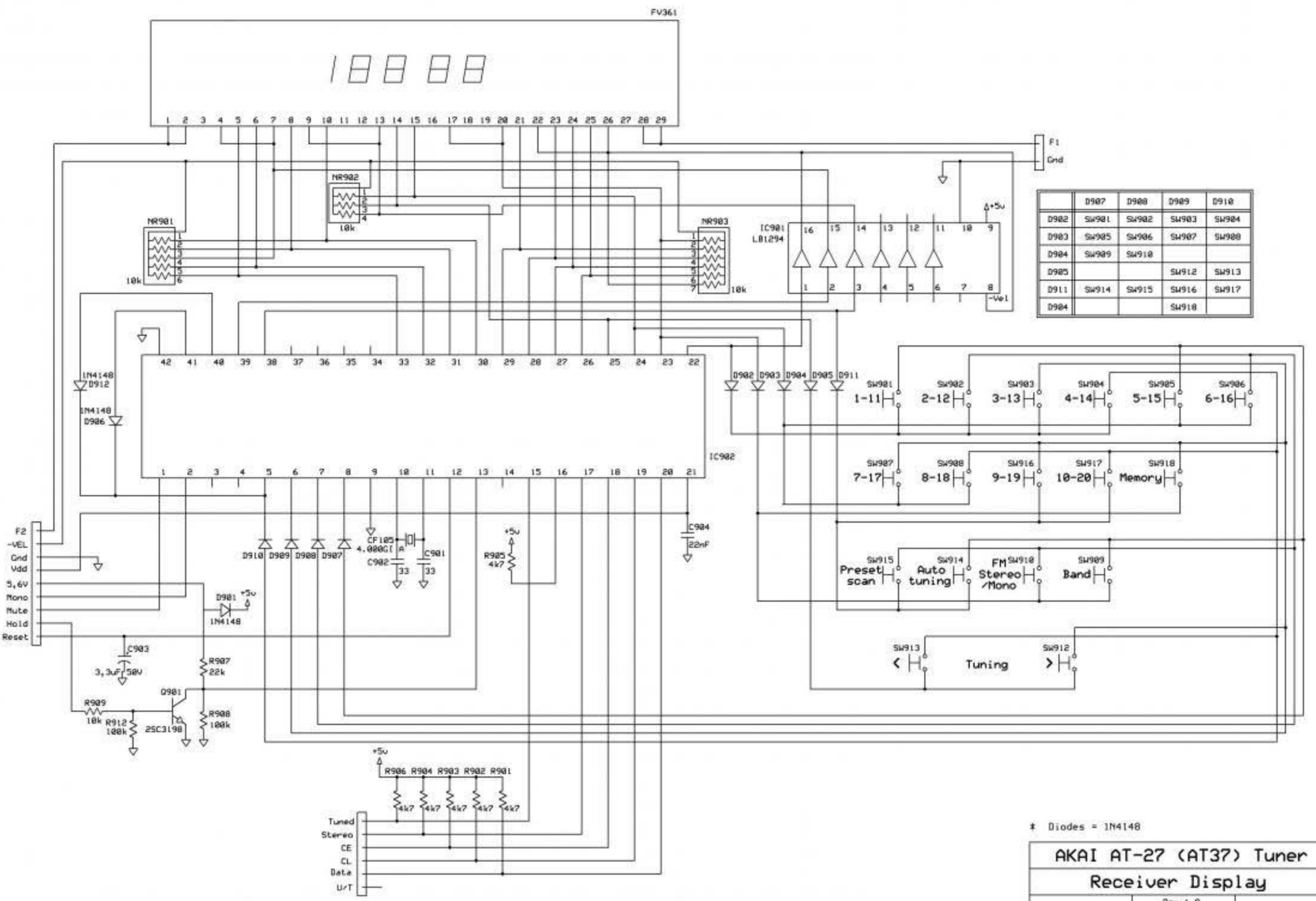


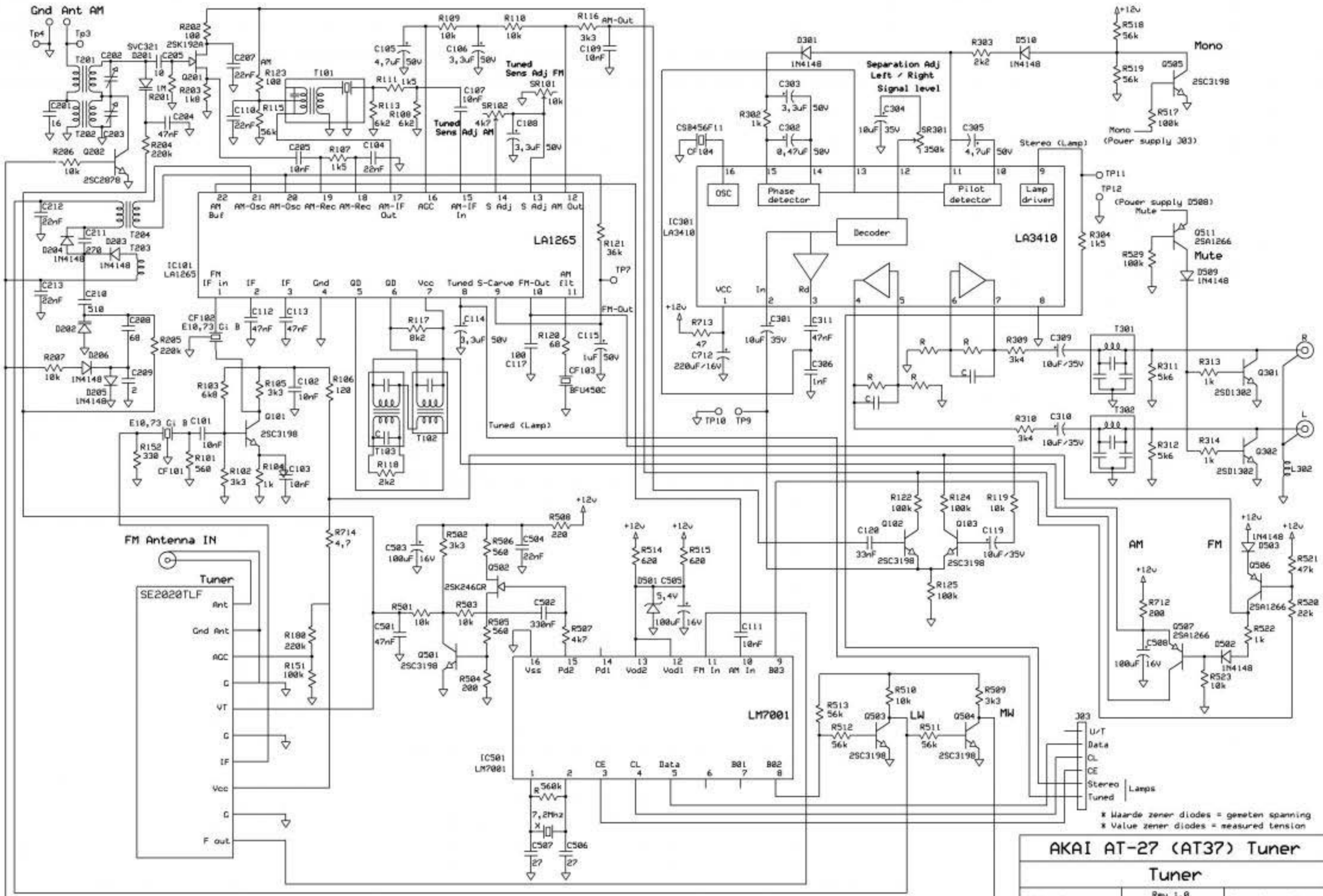
* Waarde zener diodes = gemeten spanning
 * Value zener diodes = measured tension



	D907	D908	D909	D910
D902	SW901	SW902	SW903	SW904
D903	SW905	SW906	SW907	SW908
D904	SW909	SW910		
D905			SW912	SW913
D911	SW914	SW915	SW916	SW917
D904			SW918	

* Diodes = 1N4148

AKAI AT-27 (AT37) Tuner Receiver Display		
Eddy v1	Rev 1.0 28/12/2011	Page 3 of 3



* Waarde zener diodes = gemeten spanning
 * Value zener diodes = measured tension