

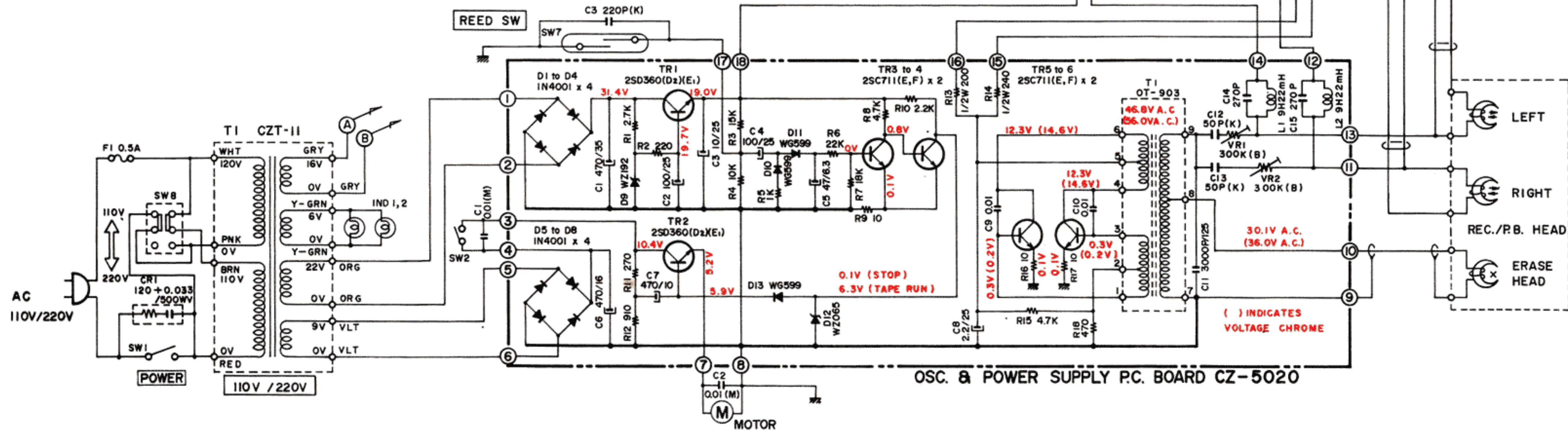
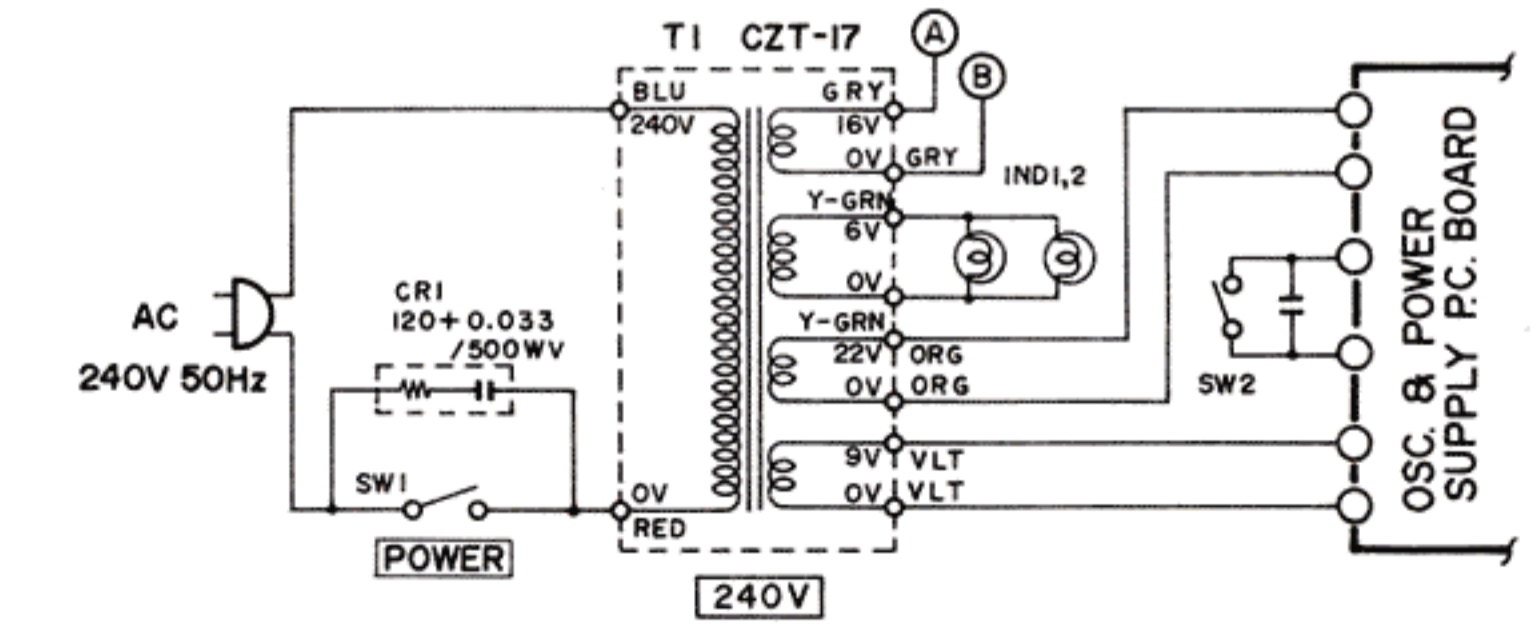
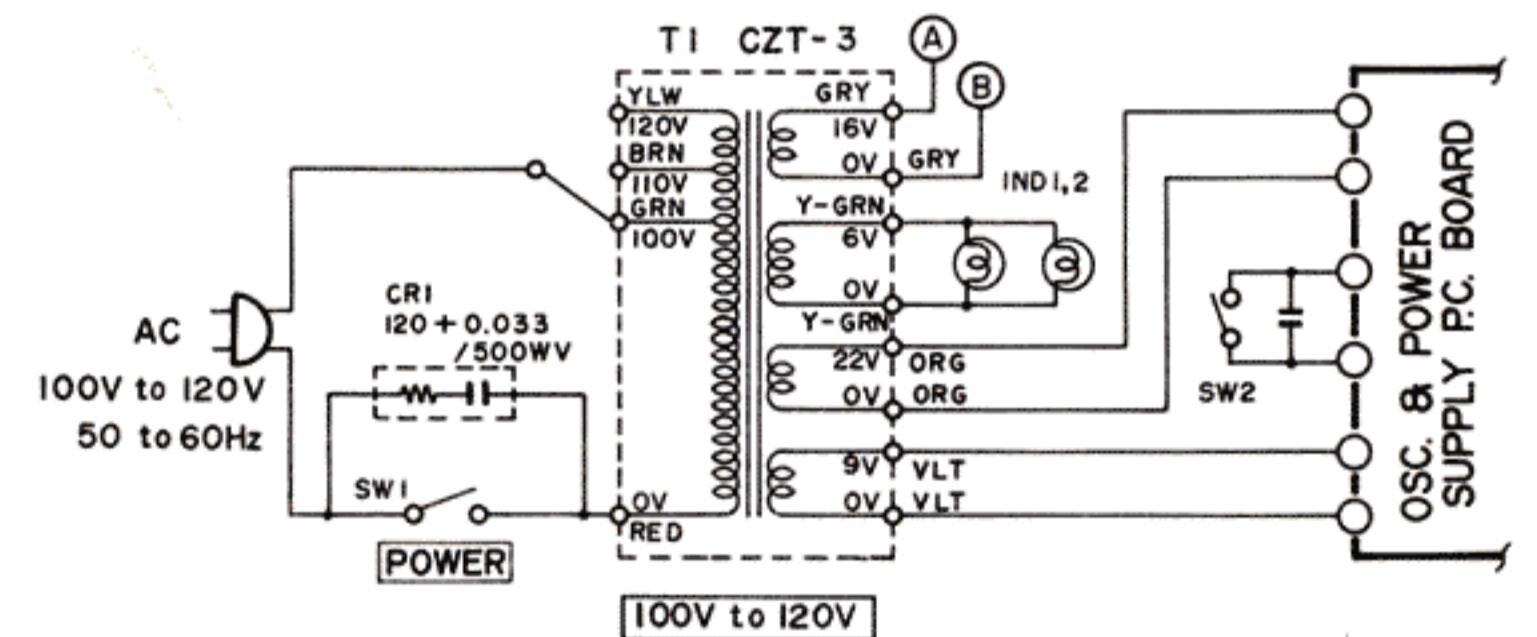
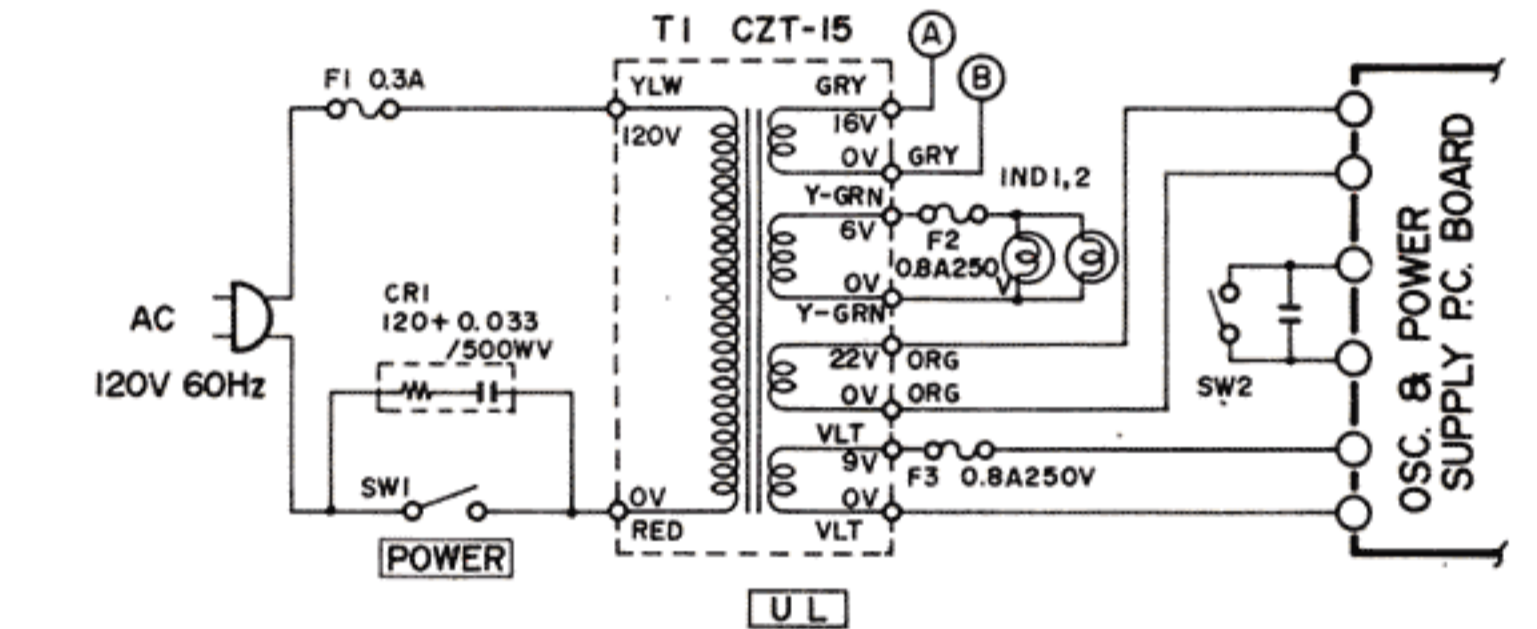
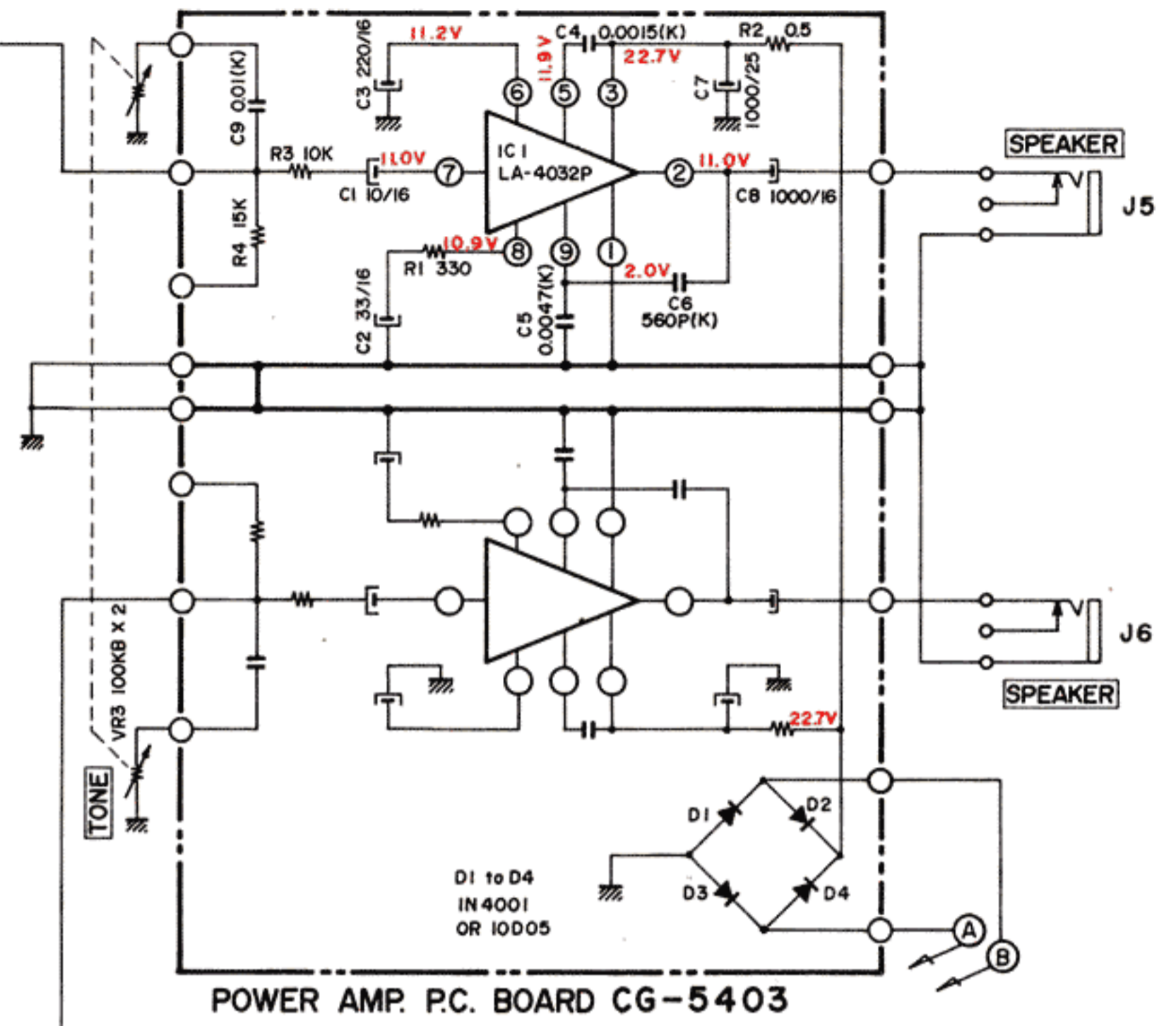
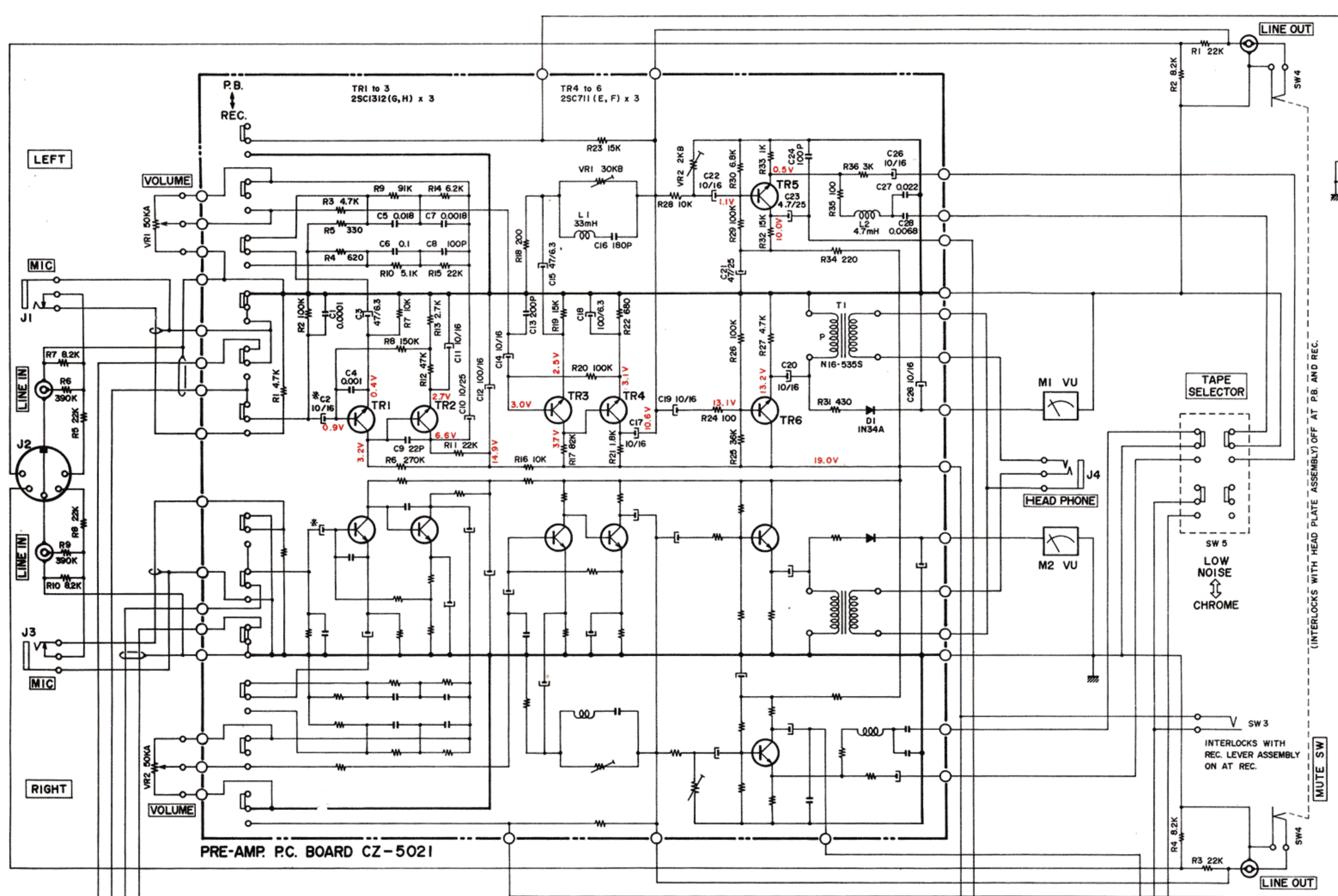
## SECTION 4

# **SCHEMATIC DIAGRAM**

1. CS-33D SCHEMATIC DIAGRAM 1462004A
2. CS-30 SCHEMATIC DIAGRAM No. 2-1 1462002A
3. CS-30D SCHEMATIC DIAGRAM No. 2-2 1462003A

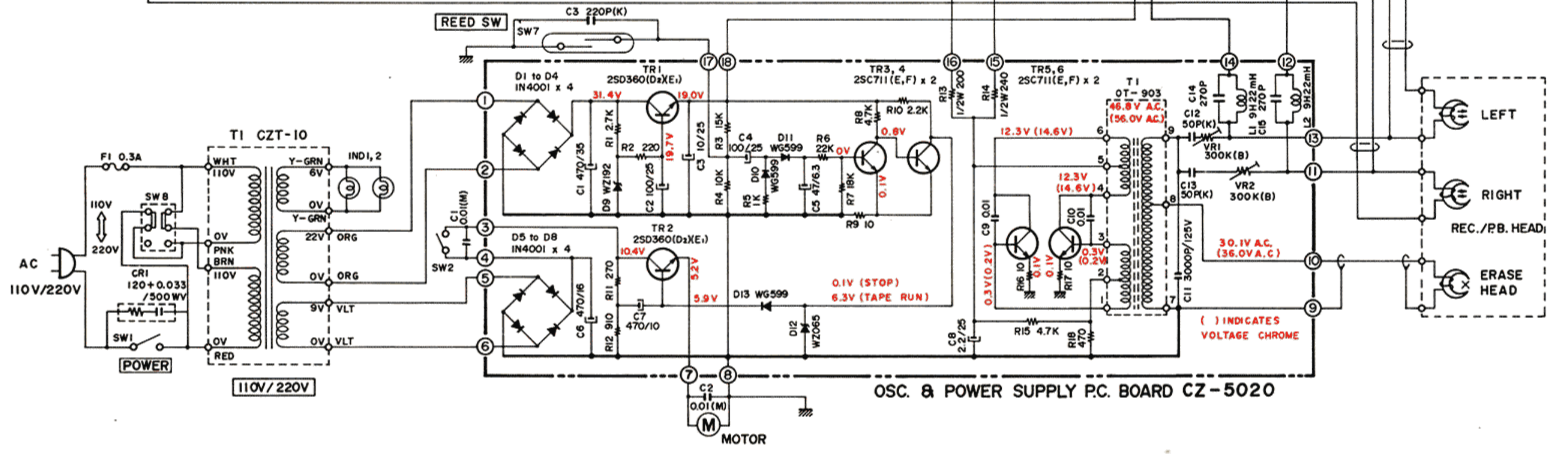
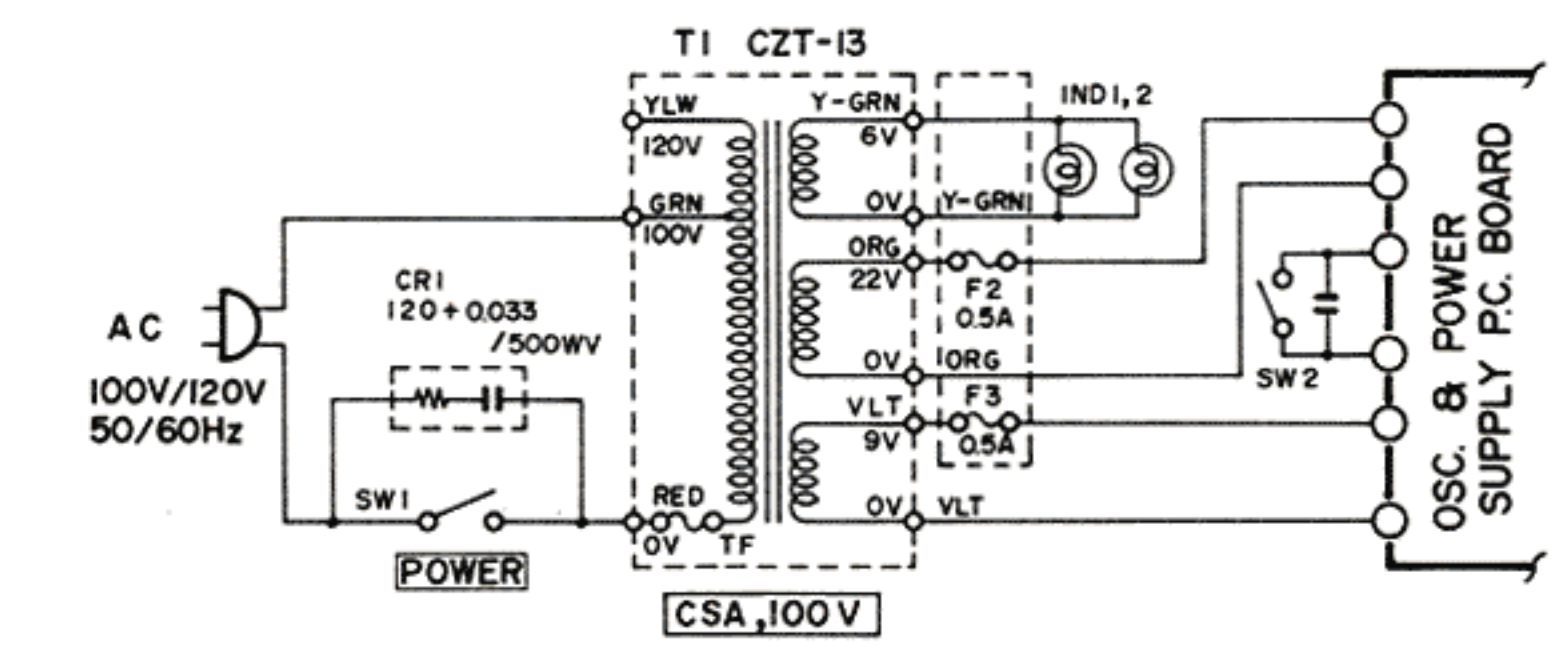
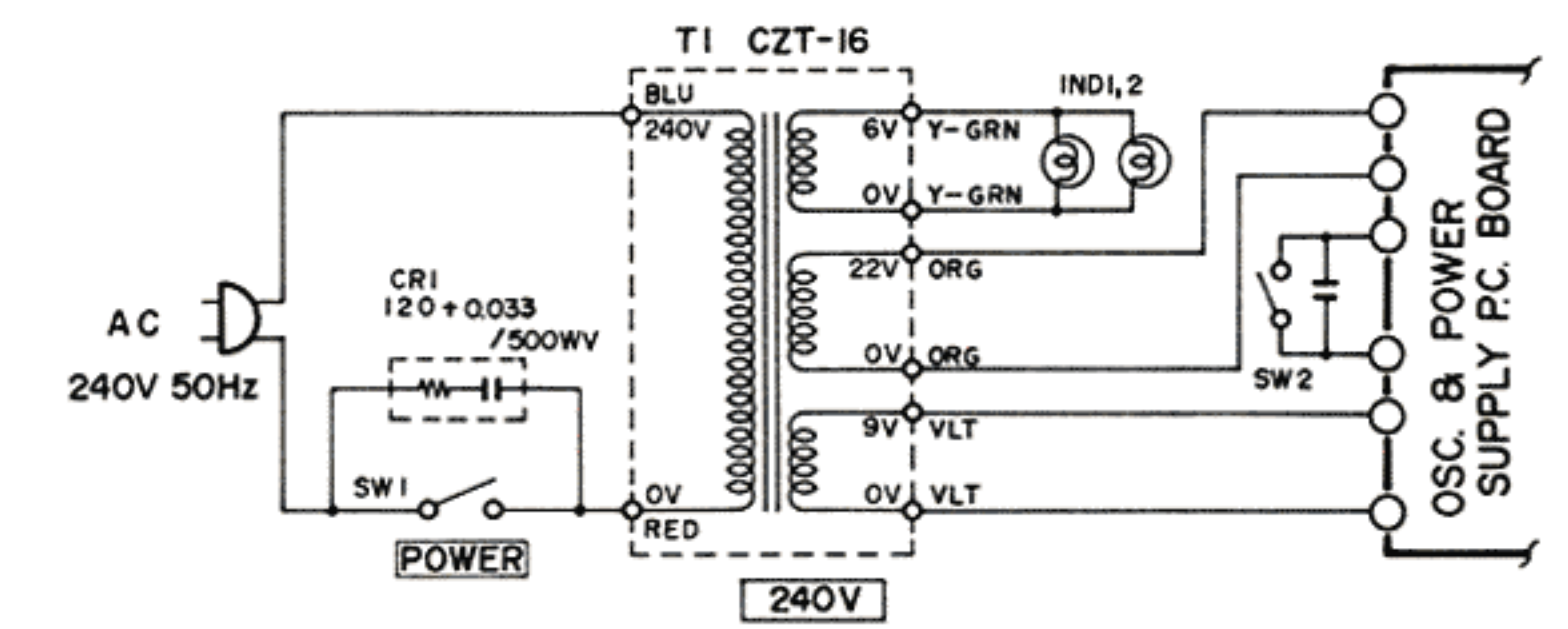
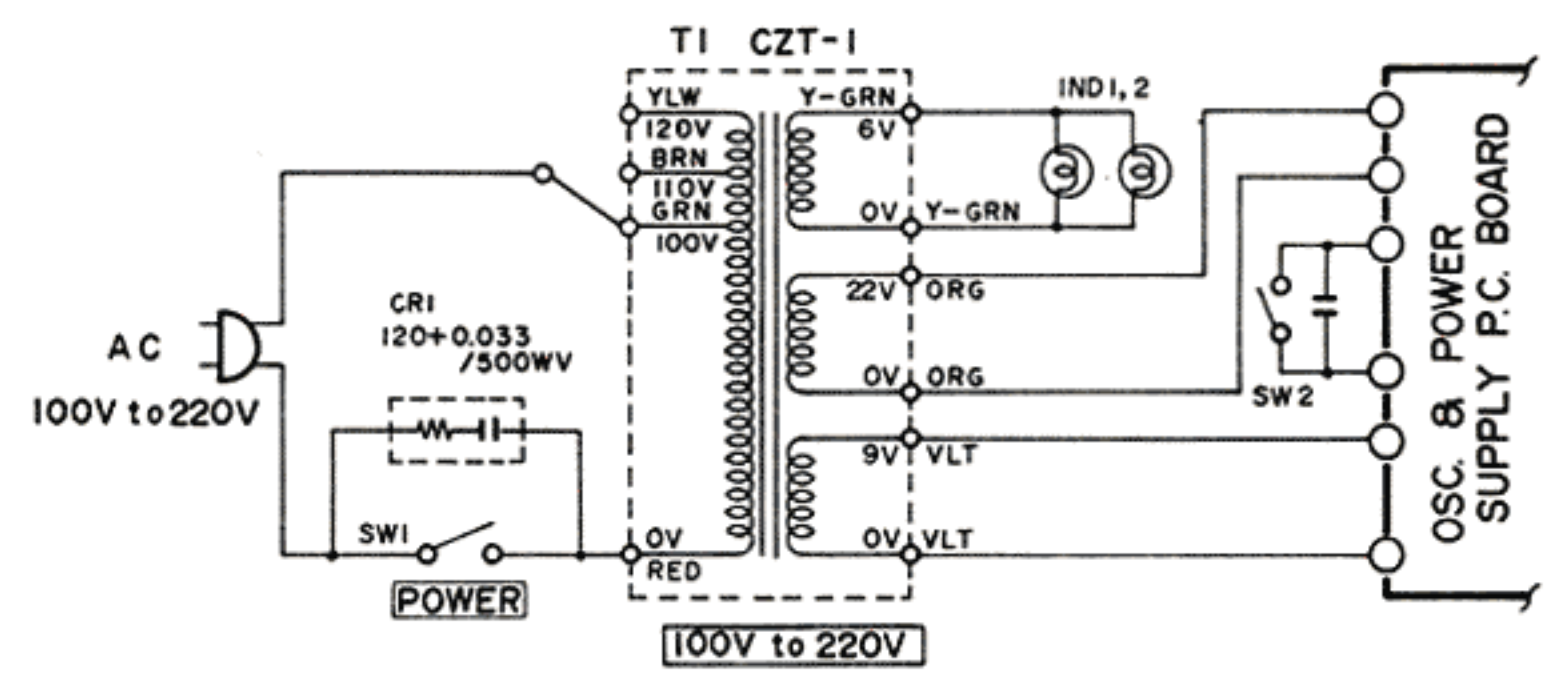
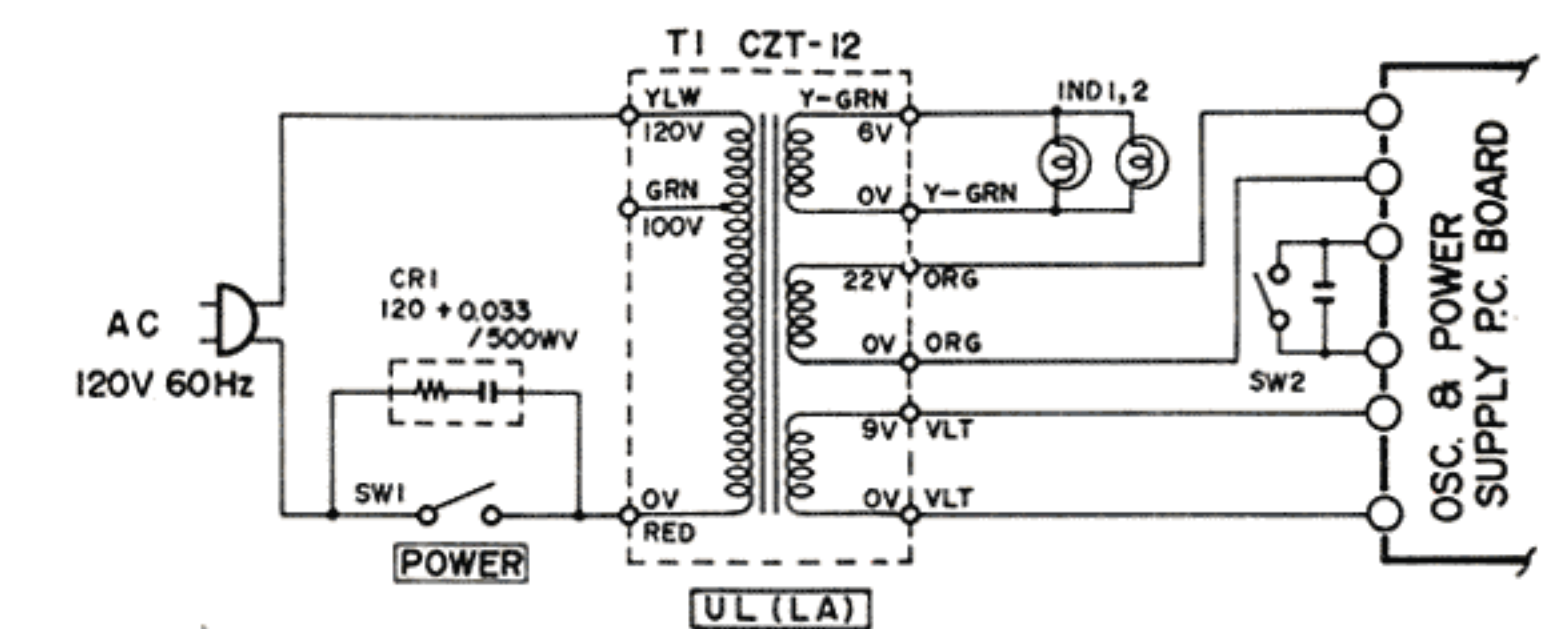
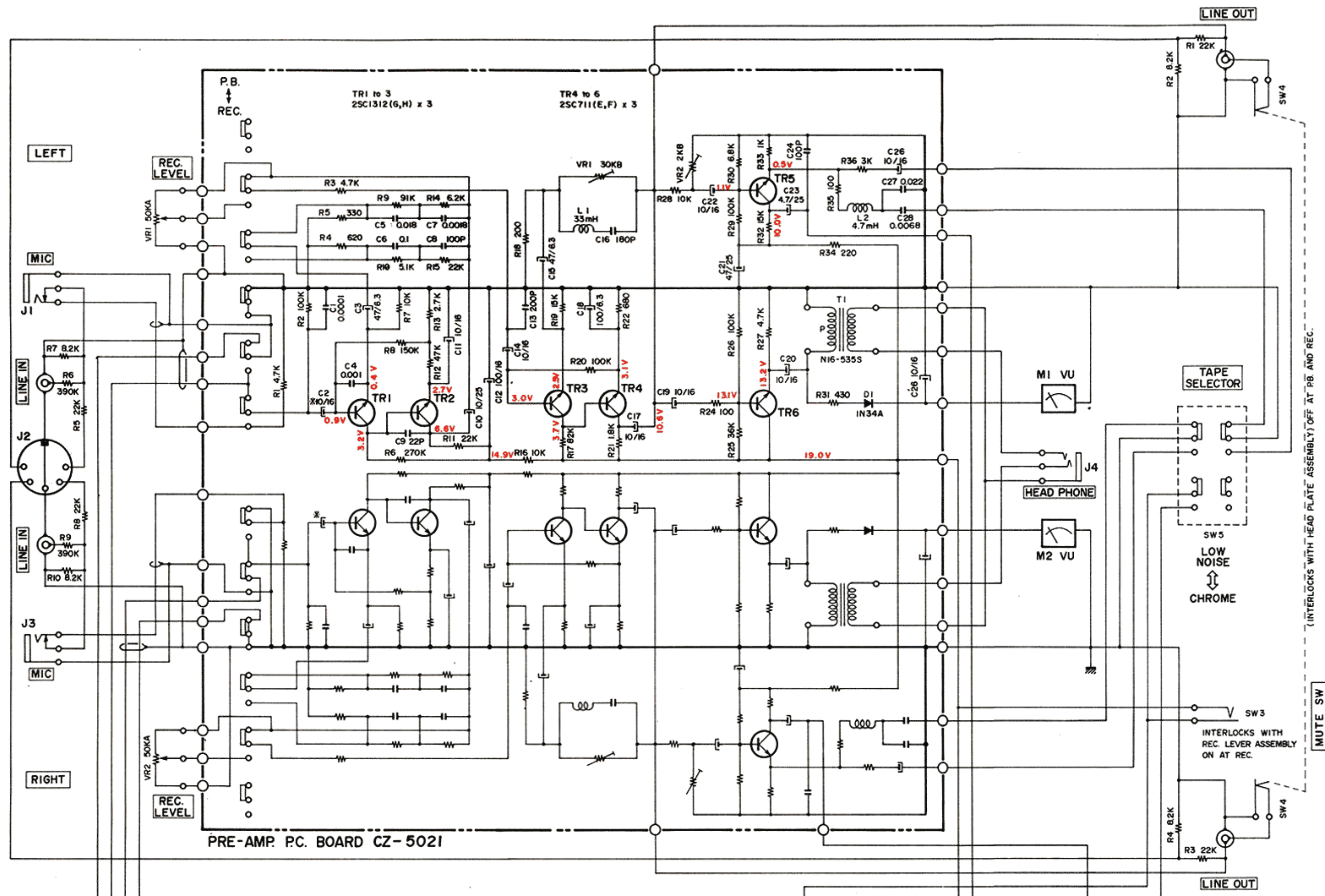






NOTE  
UNLESS OTHERWISE SPECIFIED  
ALL RESISTORS IN Ω 1/4W(J)  
ALL CAPACITORS IN μF 50W.V.(J)  
\* MARK INDICATES LOW LEAKAGE CAPACITORS  
POWER TRANSFORMER BLOCK IS DIFFERENT  
ACCORDING TO AREA SHOWN AS ABOVE.





NOTE  
 UNLESS OTHERWISE SPECIFIED  
 ALL RESISTORS IN  $\Omega$  1/4W(J)  
 ALL CAPACITORS IN  $\mu$ F 50W.V.(J)  
 \* MARK INDICATES LOW LEAKAGE CAPACITORS  
 POWER TRANSFORMER BLOCK IS DIFFERENT  
 ACCORDING TO AREA SHOWN AS ABOVE.