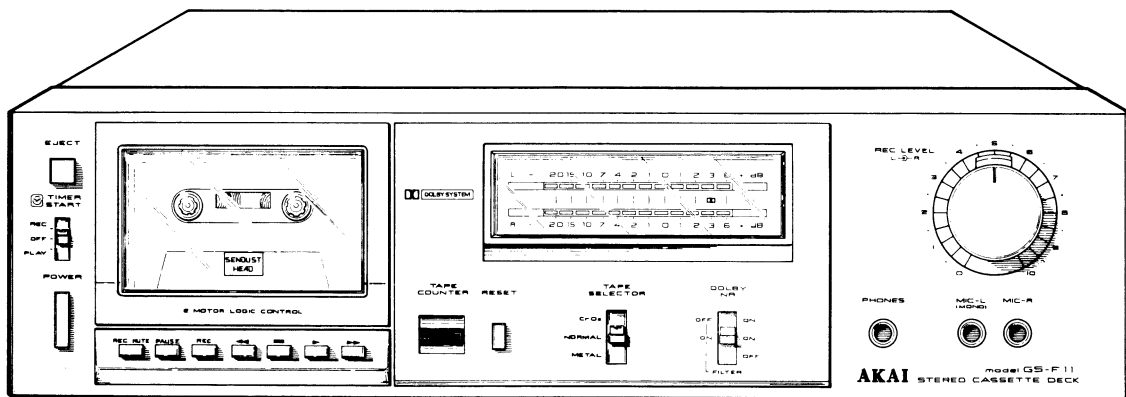


AKAI SERVICE MANUAL



CS-F11

STEREO CASSETTE DECK

MODEL **CS-F11**



STEREO CASSETTE DECK

MODEL CS-F11

TABLE OF CONTENTS

SECTION 1 SERVICE MANUAL	3
SECTION 2 PARTS LIST.....	21
SECTION 3 SCHEMATIC DIAGRAM.....	33

SECTION 1

SERVICE MANUAL

TABLE OF CONTENTS

I.	TECHNICAL DATA	4
II.	DISMANTLING OF UNIT	5
III.	CONTROLS	6
IV.	PRINCIPAL PARTS LOCATION	7
V.	VOLTAGE AND CYCLE CONVERSION	8
	1. VOLTAGE CONVERSION	8
	2. CYCLE CONVERSION	8
VI.	MECHANICAL ADJUSTMENT	9
	1. FLYWHEEL LOOSE PLAY ADJUSTMENT	9
	2. PLUNGER POSITIONING	10
	3. PINCH ROLLER PRESSURE MEASUREMENT	10
	4. VARIOUS TORQUE MEASUREMENT	10
	5. TAPE SPEED ADJUSTMENT	10
VII.	HEAD ADJUSTMENT	11
	1. RECORDING/PLAYBACK HEAD AZIMUTH ALIGNMENT	11
VIII.	AMPLIFIER ADJUSTMENT	12
IX.	DC RESISTANCE OF VARIOUS COILS	14
X.	CLASSIFICATION OF VARIOUS P.C BOARDS	14
	1. P.C BOARD TITLES AND IDENTIFICATION NUMBERS	14
	2. COMPOSITION OF VARIOUS P.C BOARDS	15

For basic adjustments, measuring methods, and operating principles, refer to GENERAL TECHNICAL MANUAL.

I. TECHNICAL DATA

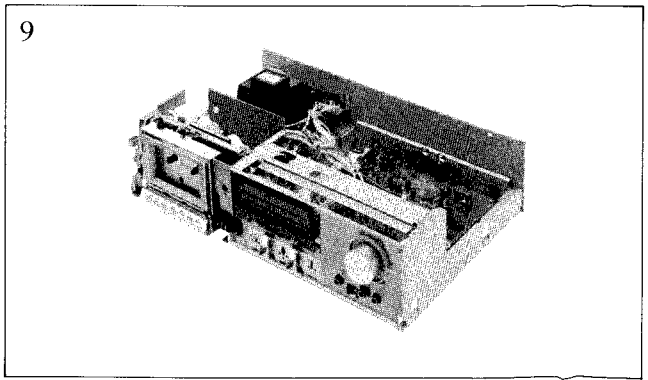
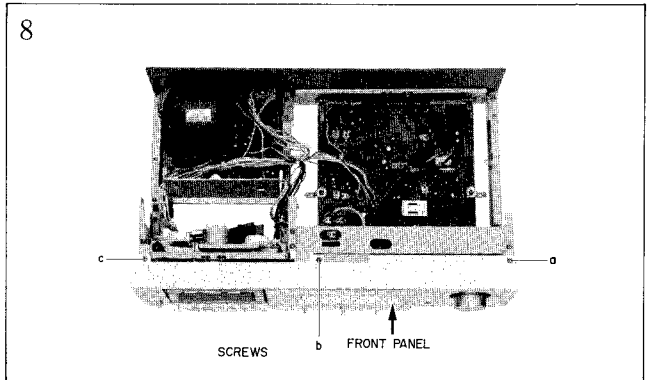
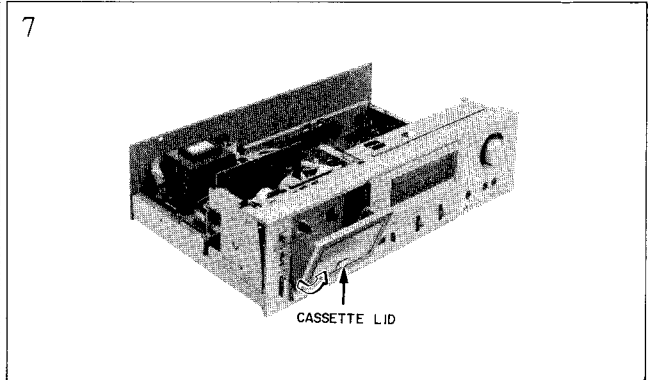
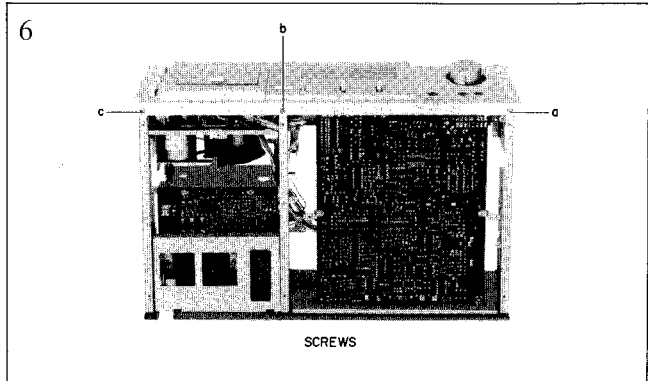
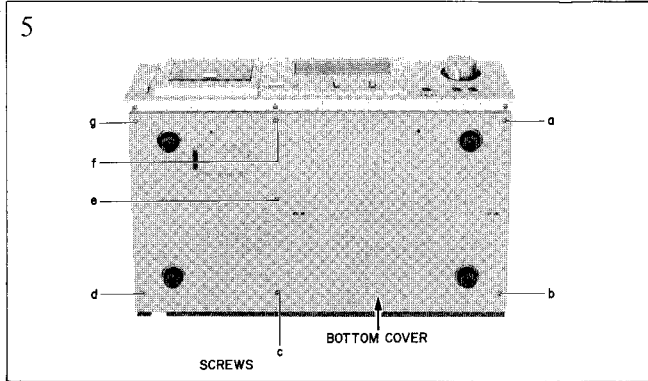
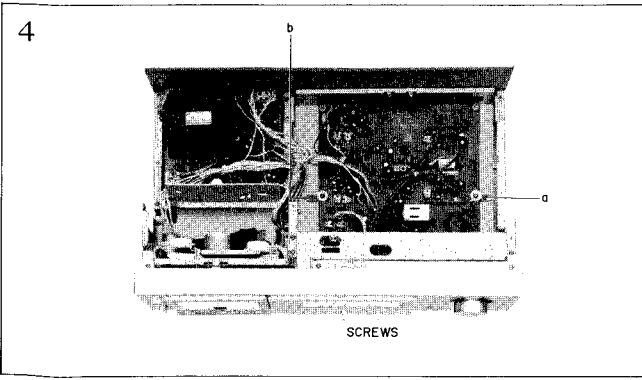
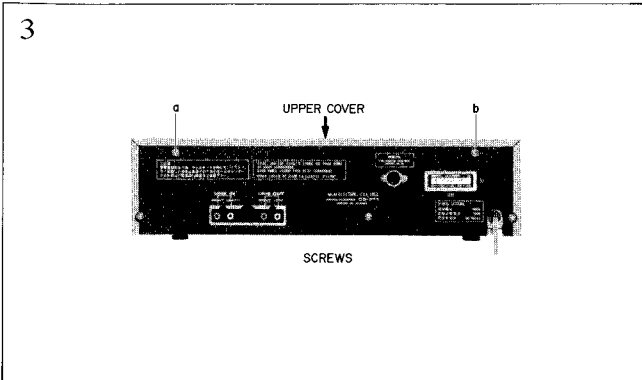
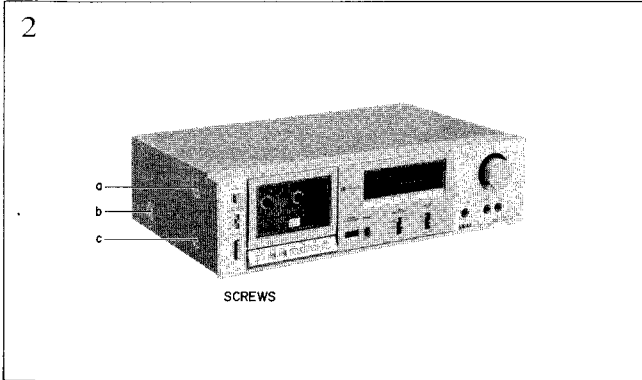
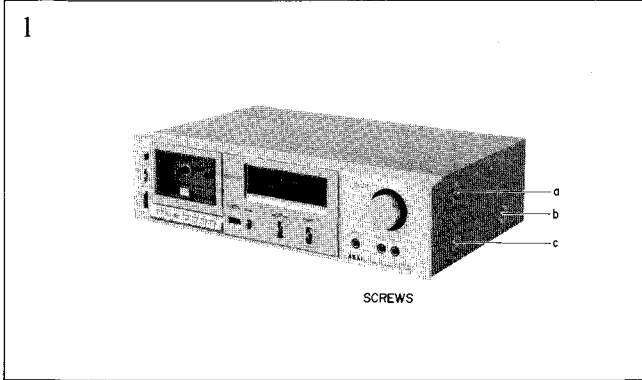
Track System	4 Track 2 Channel Stereo System
Tape	Philips Type Cassette
Tape Speed	4.76 cm/s $\pm 1.0\%$ (1-7/8 ips. $\pm 1.0\%$)
Heads	Erase head $\times 1$ Sendust head for Recording/Playback $\times 1$
Motors	Electronically speed controlled DC motor for capstan drive $\times 1$ DC motor for reel drive $\times 1$
Wow and Flutter	Less than 0.04% WRMS, 0.11% (DIN 45500)
Tape Winding Time	80 sec. using a C-60 cassette tape
Frequency Response	Normal: 30 to 16,000 Hz ± 3 dB (-20 VU) CrO ₂ : 30 to 16,500 Hz ± 3 dB (-20 VU) 30 to 8,500 Hz ± 3 dB (0 VU) Metal: 30 to 18,000 Hz ± 3 dB (-20 VU) 30 to 12,500 Hz ± 3 dB (0 VU)
Signal to Noise Ratio	Normal: Better than 58 dB CrO ₂ : Better then 60 dB Metal: Better then 60 dB (measured via tape with peak recording level) Dolby NR switch ON: Improves up to 10 dB above 5 kHz
Harmonic Distortion	Normal: Less than 0.8% CrO ₂ : Less than 0.7% Metal: Less than 0.7%
Input	MIC: 0.25 mV (input impedance 5.0 kohms) Required microphone impedance: 600 ohms Line: 70 mV (input impedance 47 kohms)
Output	Line: 410 mV at 0 VU Required load impedance: more than 20 kohms Phone: 50 mV/8 ohms at 0 VU
DIN	Input: 2 mV (input impedance 10 kohms) Output: 410 mV Required load impedance: more than 20 kohms
Power Requirements	100V, 50/60 Hz for Japan 120V, 60 Hz for USA and Canada 220V, 50 Hz for Europe except UK 240V, 50 Hz for UK and Australia 110V/120V/220V/240V, 50/60 Hz internally switchable for other countries.
Power Consumption	U/T, CSA, AAL 22W, JPN, 19W
Dimensions	440 (W) \times 118 (H) \times 285 (D) mm (17.3 \times 4.6 \times 11.2")
Weight	6.8 kg (15.0 lbs)

* For improvement purposes, specifications and design are subject to change without notice.

**"Dolby" and the Double D symbol are trademarks of Dolby Laboratories. (Manufactured under license from Dolby Laboratories).

II. DISMANTLING OF UNIT

In case of trouble, etc. necessitating dismantling, please dismantle in the order shown in the photographs. Reassemble in reverse order.



III. CONTROLS

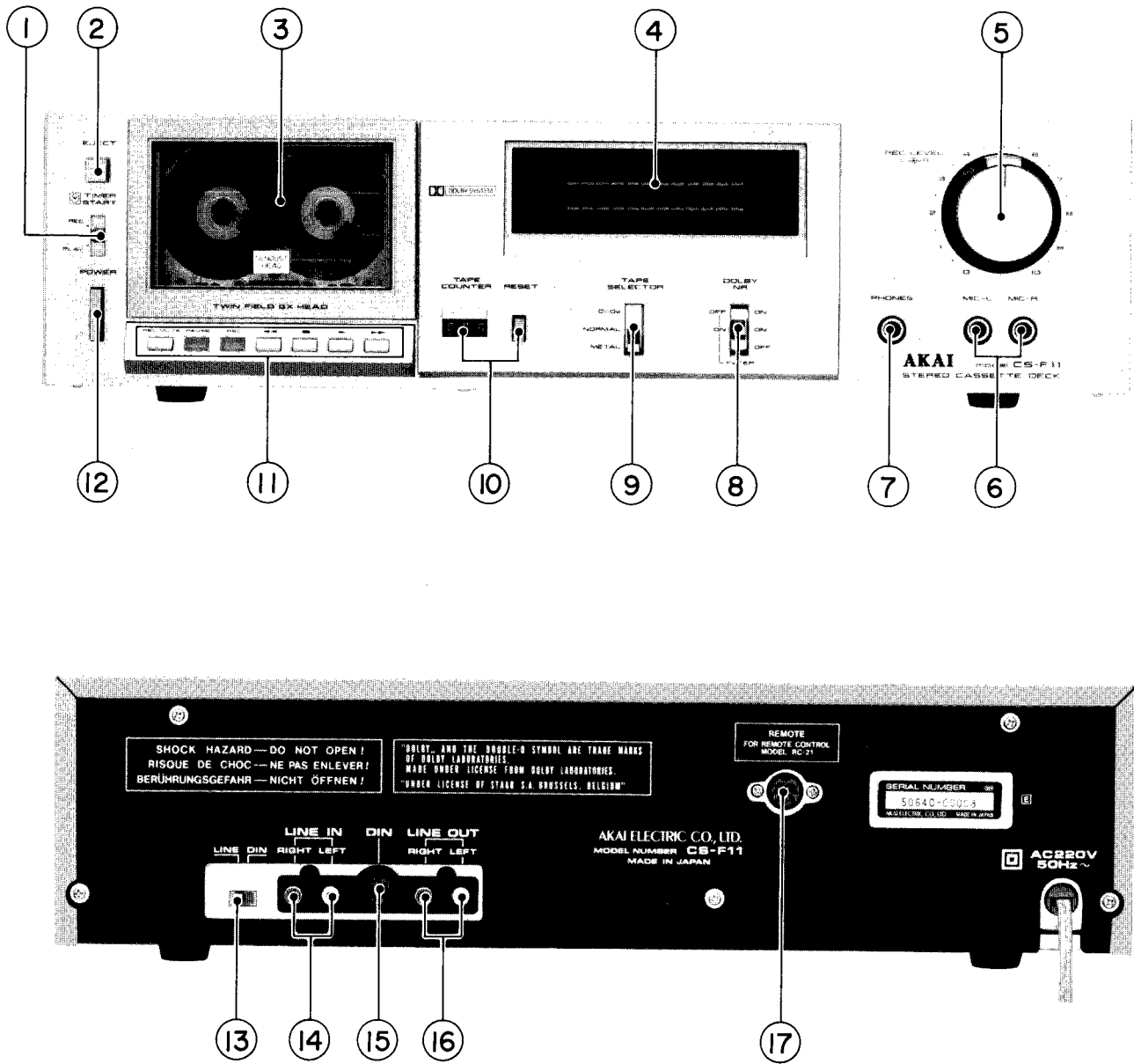


Fig. 1 Controls

- | | |
|--|---|
| 1. TIMER START SWITCH | 10. TAPE COUNTER AND RESET BUTTON |
| 2. EJECT BUTTON | 11. OPERATING BUTTONS |
| 3. CASSETTE RECEPTACLE | 12. POWER SWITCH |
| 4. LED BAR METERS | 13. LINE/DIN SELECTOR (Some models do not have this facility) |
| 5. LEFT \rightarrow RIGHT RECORDING LEVEL CONTROLS | 14. LINE IN JACKS (right and left) |
| 6. MICROPHONE JACKS (MIC-L: left, MIC-R: right) | 15. DIN JACK (Some models do not have this facility) |
| 7. HEADPHONE JACK (PHONES) | 16. LINE OUT JACKS (right and left) |
| 8. DOLBY NR AND FILTER Switch | 17. REMOTE CONTROL JACK |
| 9. TAPE SELECTOR | |

IV. PRINCIPAL PARTS LOCATION

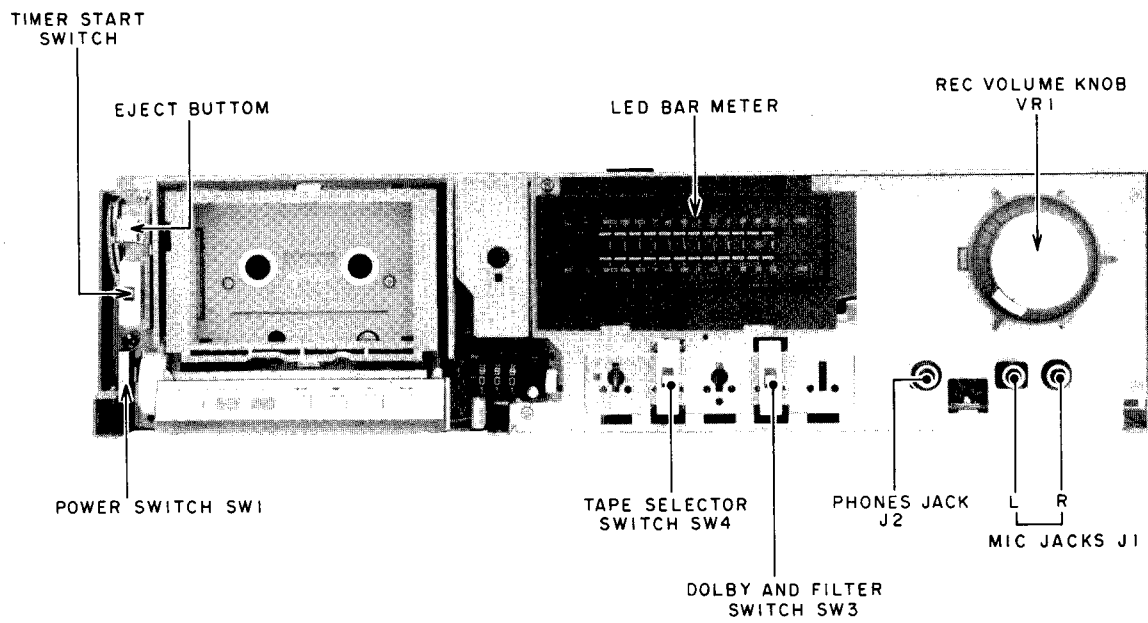


Fig. 2 Front View

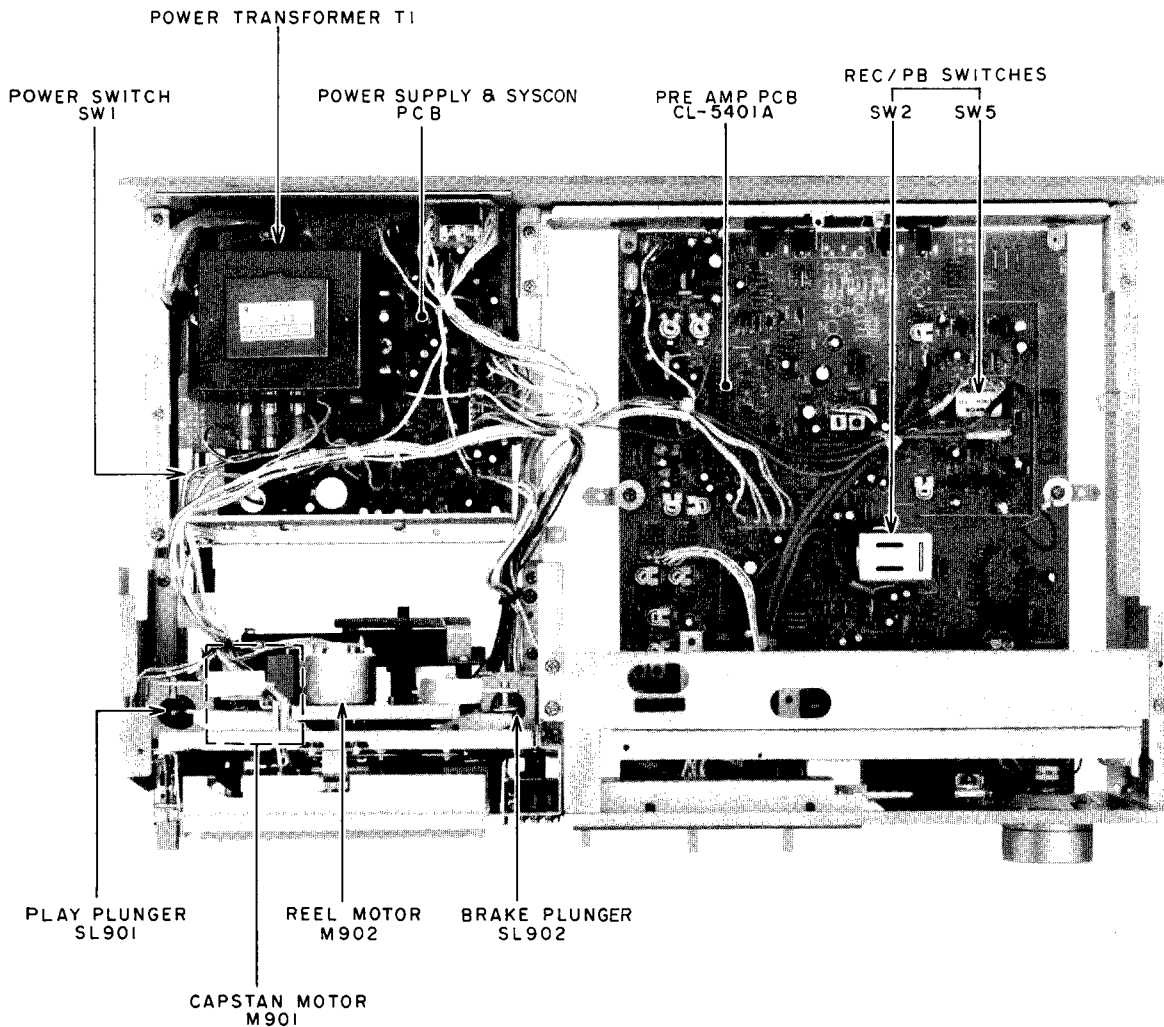


Fig. 3 Top View

V. VOLTAGE AND CYCLE CONVERSION

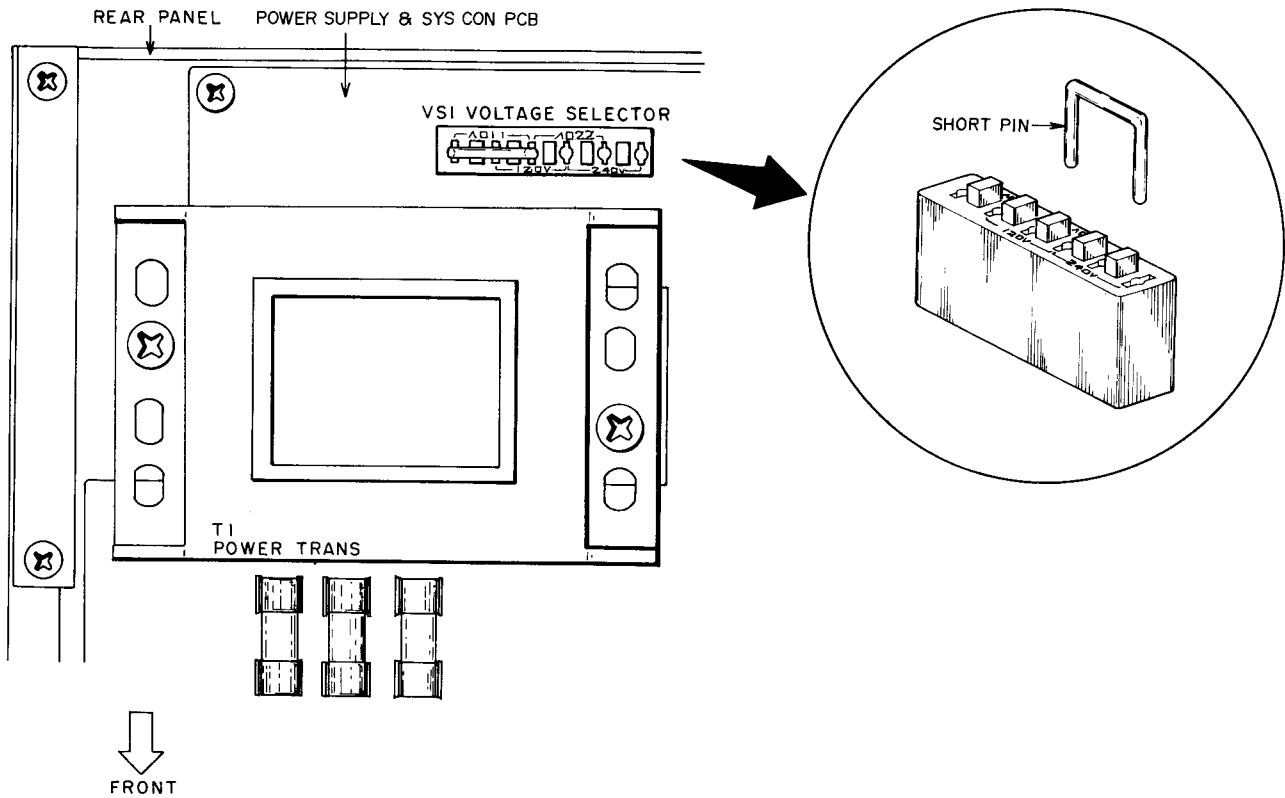


Fig. 4 Voltage Conversion (U/T Model only)

1. VOLTAGE CONVERSION

Models for Canada, Europe, USA, UK, Australia and Japan are not equipped with this facility.

Each machine is preset at the factory according to destination, but some machines can be set to 110V, 120V or 240V as required.

If voltage change is necessary, this can be accomplished as follows:

- 1) Disconnect power cord.
- 2) Loosen holding screws and remove upper cover.
- 3) Remove short pin plug from present holes and replace in correct holes.

Follow the markings explicitly.

2. CYCLE CONVERSION

With DC motor, cycle conversion is not necessary.

VI. MECHANICAL ADJUSTMENT

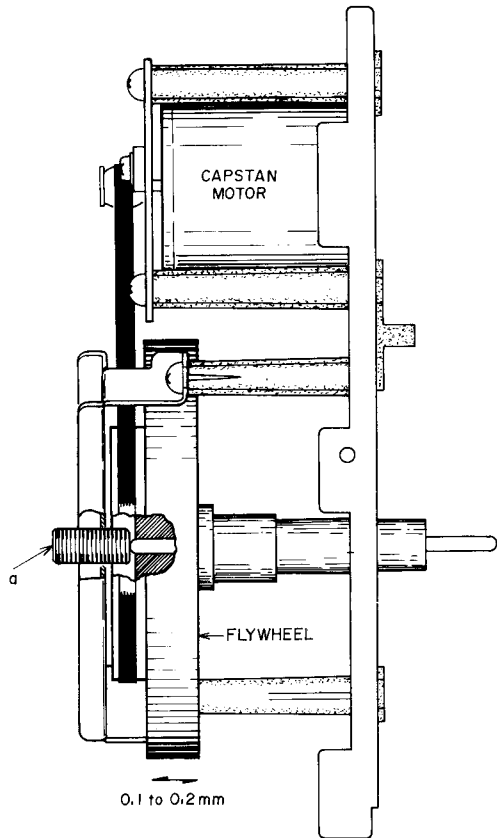


Fig. 5

1. FLYWHEEL LOOSE PLAY ADJUSTMENT (Refer to Fig. 5)

Adjust the screw (a) so that the flywheel moves 0.1 — 0.2 mm in the direction indicated by the arrow.

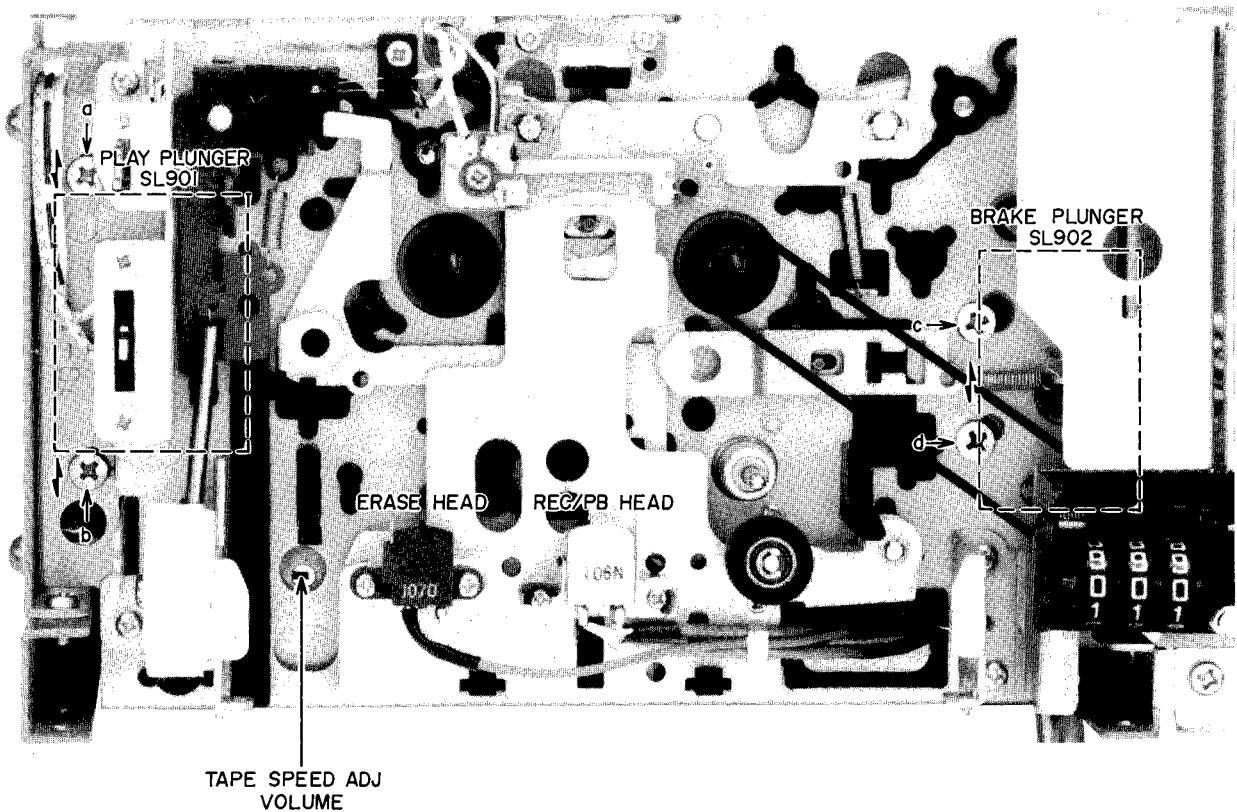


Fig. 6

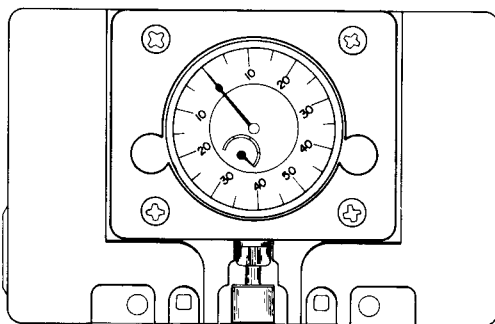


Fig. 7 AKAI Head Projection Gauge

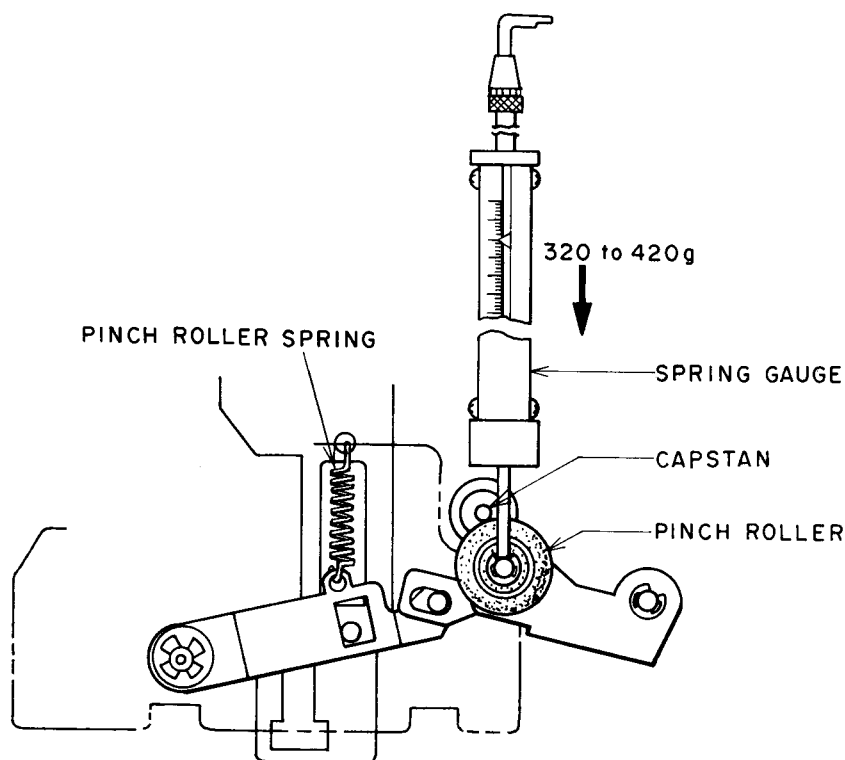


Fig. 8

2. PLUNGER POSITIONING

(Refer to Figs. 6, 7)

1) Play Plunger Adjustment

Set the Akai Head Projection Gauge. Adjust the screws (a) and (b) so that when PAUSE mode is engaged, the Head Projection Gauge indicates to 2.5 mm \pm 0.05 mm.

2) Brake Plunger Adjustment

Set the Akai Head Projection Gauge. Adjust the screws (c) and (d) so that when play mode is engaged, the Head Projection Gauge indicates to 3.5 mm \pm 0.15 mm.

3. PINCH ROLLER PRESSURE

MEASUREMENT (Refer to Fig. 8)

At playback mode, push the pinch roller with a spring gauge until the pinch roller separates from the capstan by

about 1 mm to 2 mm and then gently return. Take a reading of the spring gauge indication at the moment the pinch roller touches the capstan and begins to rotate.

Specified Pinch Roller Pressure: 320 - 420g

4. VARIOUS TORQUE MEASUREMENT

Use the Cassette Torque Meter to confirm that the value of each mode is as follows:

Take-up Torque	35 ~ 50 g-cm
Back Tension	2 ~ 4 g-cm
FF/RWD Torque	85 ~ 130 g-cm

5. TAPE SPEED ADJUSTMENT

(Refer to Fig. 6)

Playback a 1,000 Hz pre-recorded test tape and adjust the tape speed adjustment volume to obtain a tape speed of 1,000 Hz \pm 5 Hz.

VII. HEAD ADJUSTMENT

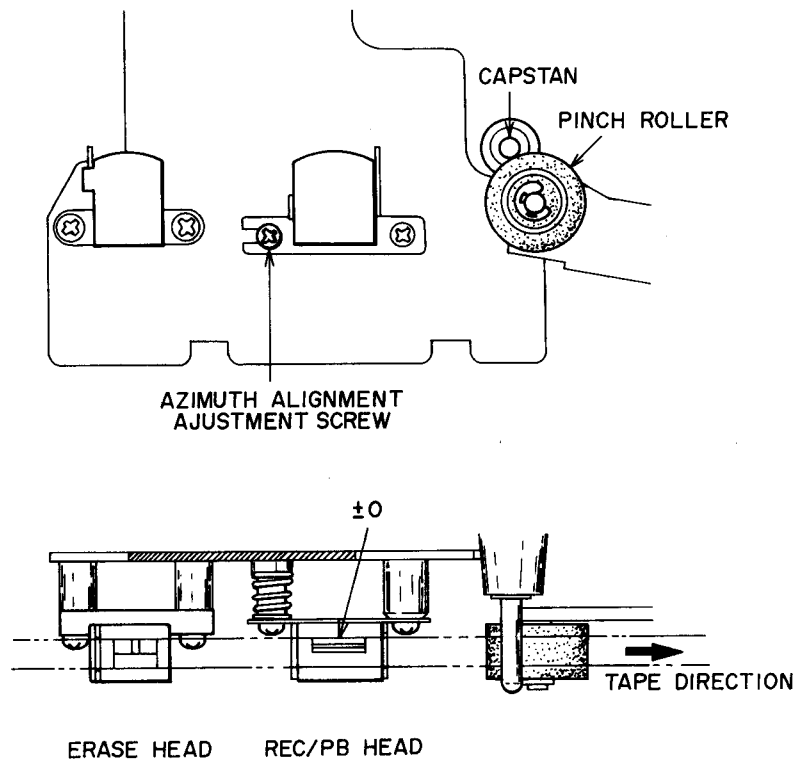


Fig. 9

1. RECORDING/PLABACK HEAD

AZIMUTH ALIGNMENT (Refer to Fig. 9)

- a) Playback a 10 kHz pre-recorded cassette azimuth alignment test tape and adjust screw shown in Fig. 9 to obtain maximum output on both channels.
- b) Invert cassette and confirm that the output level does not change from that obtained in Item 1-a) above. If the output level differs, adjust in the same way as in Item 1-a) above until both sides of the test tape display equal output.

NOTES:

1. Be sure to clean the heads prior to head adjustment.
2. Be careful not to use a magnetized driver or other magnetized tools in the vicinity of the heads.
3. Be sure to demagnetize the heads with a Head Demagnetizer before and after head adjustment.

VIII. AMPLIFIER ADJUSTMENT

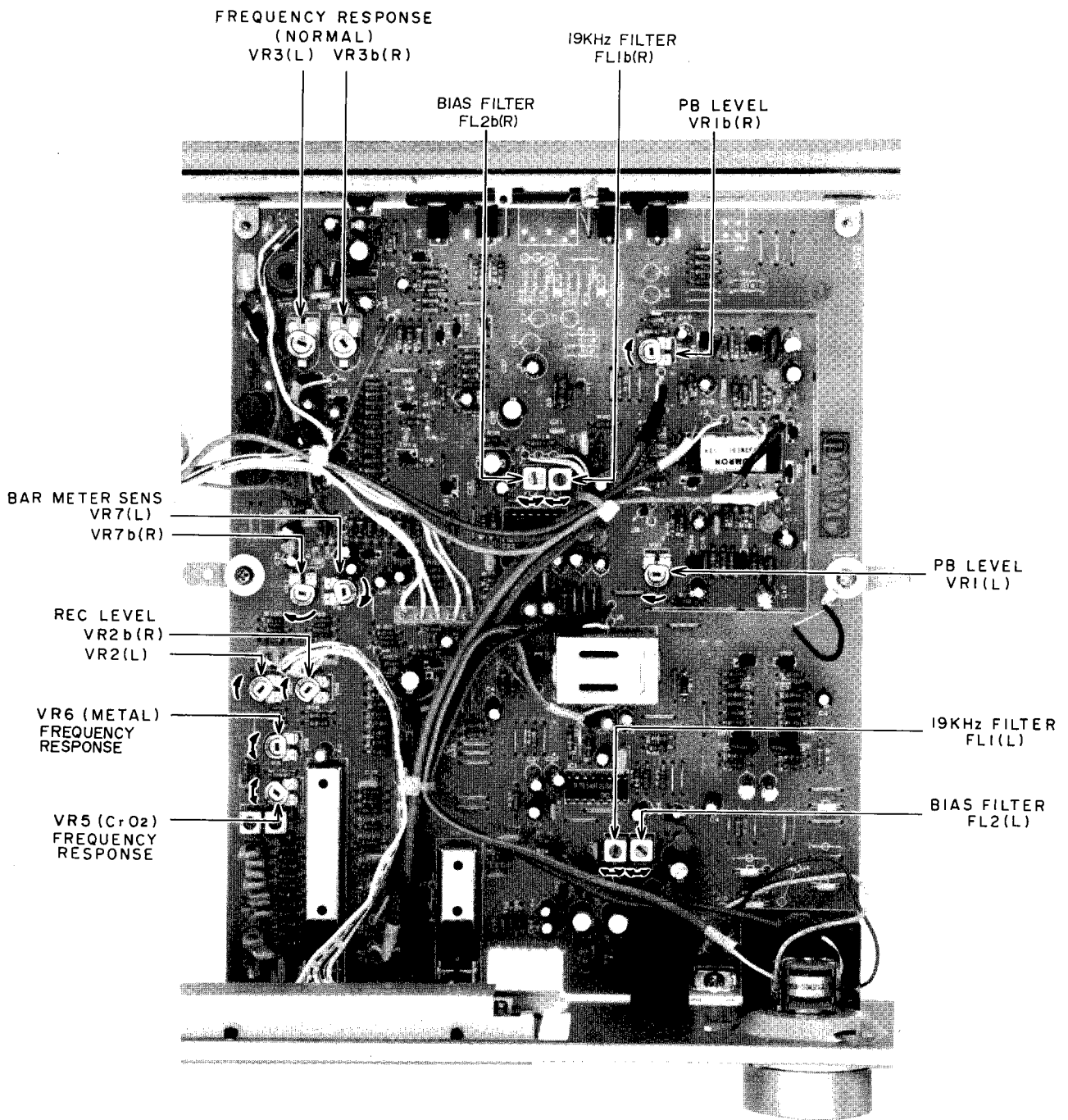


Fig. 10 Pre Amp P.C Board CL-5401A

STEP	ADJUSTMENT ITEM	TEST TAPE SUPPLY SIGNAL	MODE	ADJUSTMENT POINT	RESULT	REMARKS
1	Playback Level	333 Hz, 0 VU Test Tape	PB	VR1 50 kB	-5.5 ±0.5 dBm (410 mV)	
2	Bar Meter Sensitivity	1,000 Hz -5.5 dBm from oscillator	REC	VR7 20 kB	0 VU indication	
3	Normal Position Frequency Response	Normal Blank tape 1,000 Hz, 10,000 Hz -25.5 dBm recording	REC /PB	VR3 50 kB	1,000 Hz to 10,000 Hz flat	
4	CrO ₂ Position Frequency Response	CrO ₂ Blank tape 1,000 Hz, 10,000 Hz -25.5 dBm recording	REC /PB	VR5 100 kB	1,000 Hz to 10,000 Hz flat	Set tape selector to CrO ₂ position.
5	Metal Position Frequency Response	Metal Blank tape 1,000 Hz, 10,000 Hz -25.5 dBm recording	REC /PB	VR6 50 kB	1,000 Hz to 10,000 Hz flat	Set tape selector to Metal position.
6	Recording Level	Normal Blank tape 1,000 Hz, -5.5 dBm recording	REC /PB	VR2 30 kB	-5.5 ±0.5 dBm	
7	Distortion Factor Confirmation	1,000 Hz -5.5 dBm recording	REC /PB		Normal < 0.8% CrO ₂ < 0.7% Metal < 0.7%	NOTE 6.
8	Bias Filter	No signal input	REC	FL2	AC Voltmeter indicates to minimum	Set tape selector to Metal position. Set REC Volume to maximum NOTE 8.
9	19 kHz Filter Adjustment	19 kHz form oscillator	REC	FL1	AC Voltmeter indicates to minimum	Set Dolby NR switch to ON, Filter ON position. NOTE 7, 8.

NOTES:

1. Input selector switch to LINE.
(The U/T, CSA, AAL and JPN Models do not have this facility.)
2. Because each of these adjustments is vital to perfect Dolby NR circuit operation, ensure that they are carried out with as few errors as possible.
3. Except for Step 4, 5, 7 and 8, set Tape Selector to NORMAL Position.
4. Except for Step 9, set Dobby NR switch to OFF Position.
5. Use the following cassette measuring tapes:
 - Normal Tape: Maxell UD C-60
 - CrO₂ Tape: TDK SA C-60
 - Metal Tape: TDK MA-C C-60
6. If it does not comply with the specifications, repeat Steps 3 to 6 and readjust.
7. Adjust the oscillator's frequency to give a frequency counter reading of 19.00 kHz.
8. Unless the core is moved unintentionally this adjustment is not necessary.

IX. DC RESISTANCE OF VARIOUS COILS

DESCRIPTION	NAME	DC RESISTANCE
REC/PB Head	HN424652	220 ohms
Erase Head	HF213151	3.5 ohms
Play and Brake Plunger	1240PLT	90 ohms \pm 10%

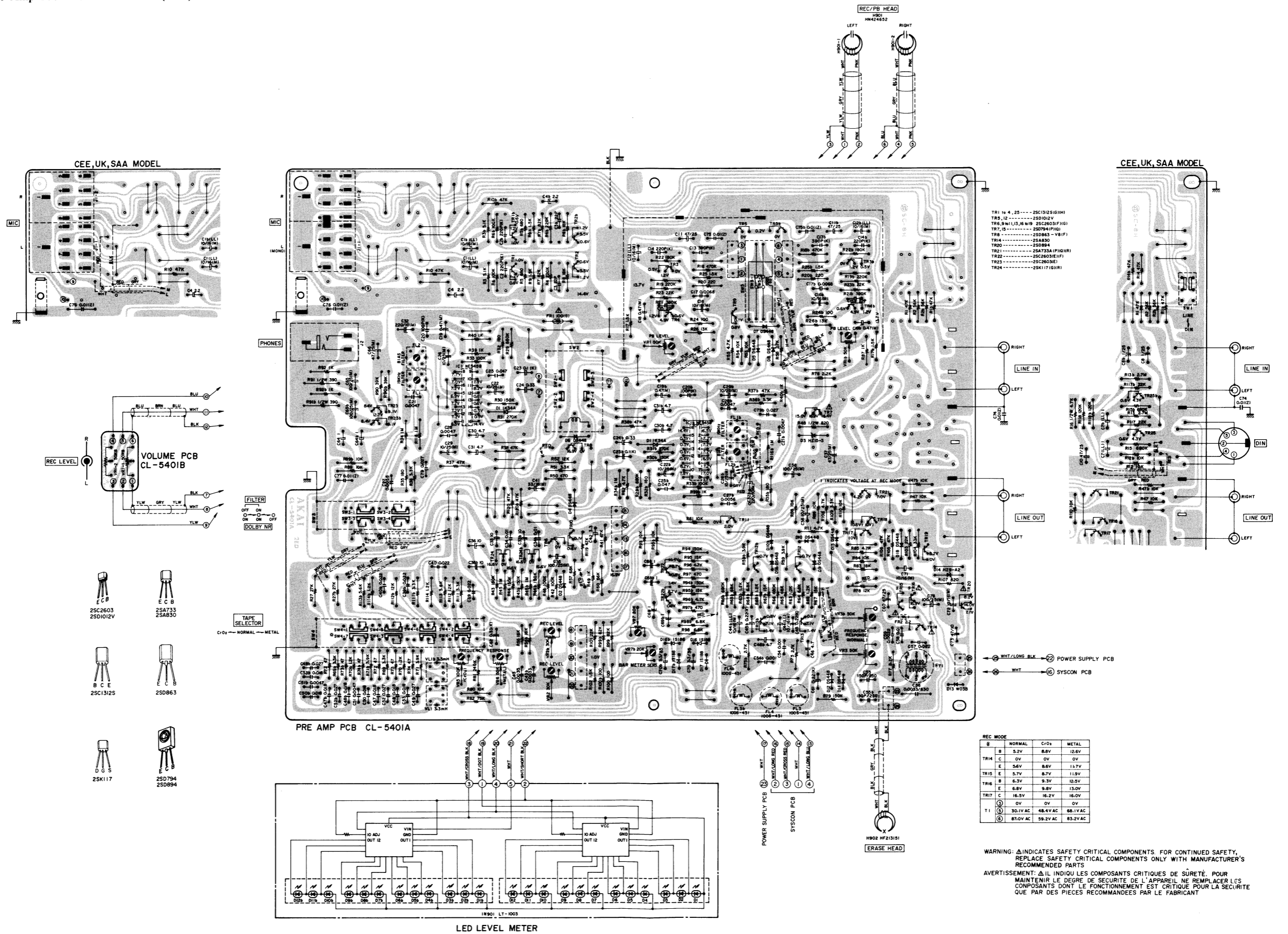
X. CLASSIFICATION OF VARIOUS P.C BOARDS

1. P.C BOARD TITLES AND IDENTIFICATION NUMBERS

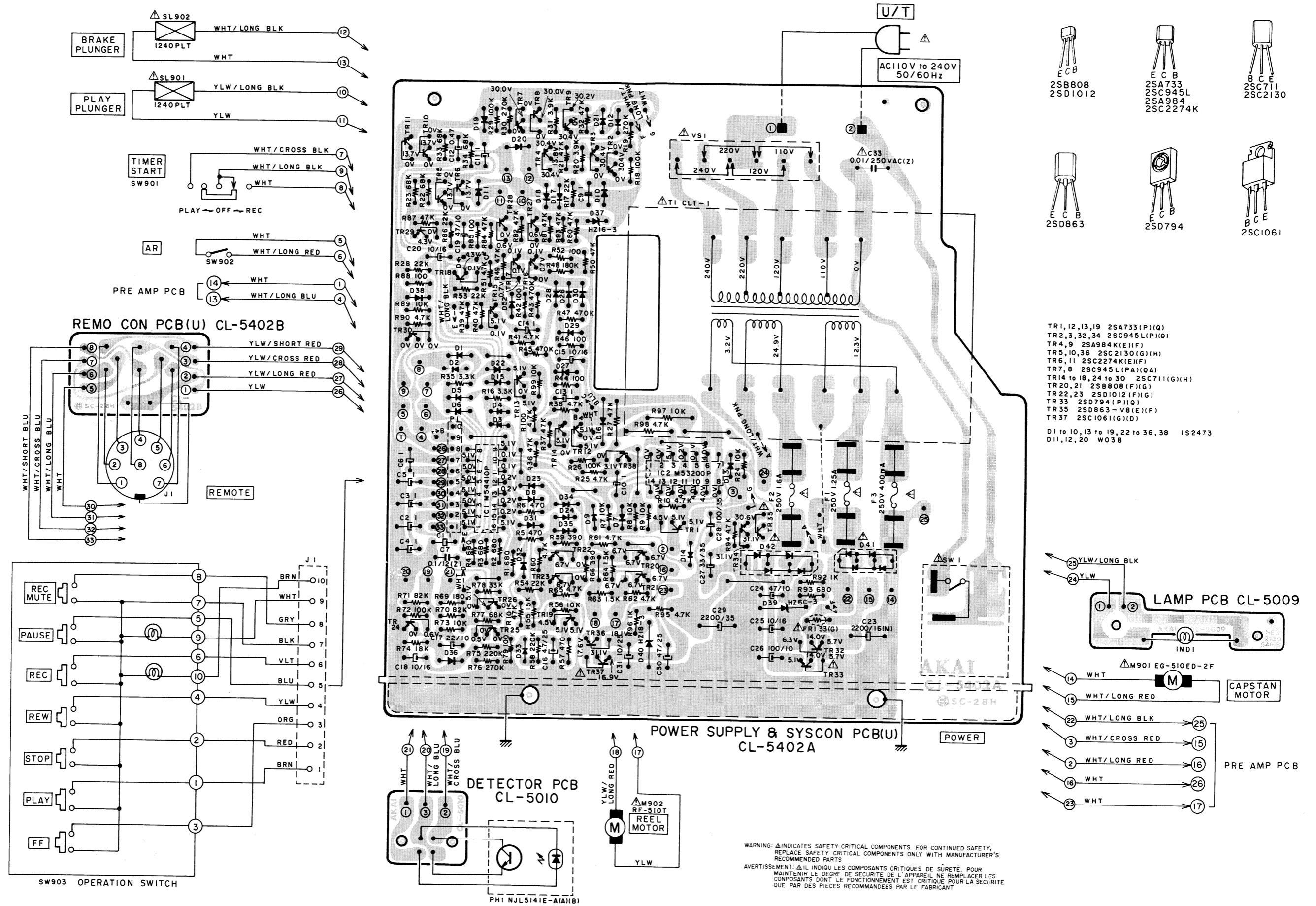
P.C BOARD TITLE	P.C BOARD NUMBER	REMARKS
Pre Amp P.C Board	CL-5401A	
Volume P.C Board	CL-5401B	
Power Supply and Sys Con P.C Board (U)	CL-5402A	U/T
Power Supply and Sys Con P.C Board (J)	CL-5403A	JPN
Power Supply and Sys Con P.C Board (A)	CL-5404A	AAL
Power Supply and Sys Con P.C Board (EBS)	CL-5405A	CEE, UK, SAA
Power Supply and Sys Con P.C Board (C)	CL-5406A	CSA
Remo Con P.C Board (U)	CL-5402B	U/T
Remo Con P.C Board (J)	CL-5403B	JPN
Remo Con P.C Board (A)	CL-5404B	AAL
Remo Con P.C Board (EBS)	CL-5405B	CEE, UK, SAA
Remo Con P.C Board (C)	CL-5406B	CSA
Lamp P.C Board	CL-5009	
Detector P.C Board	CL-5010	

2. COMPOSITION OF VARIOUS P.C BOARDS

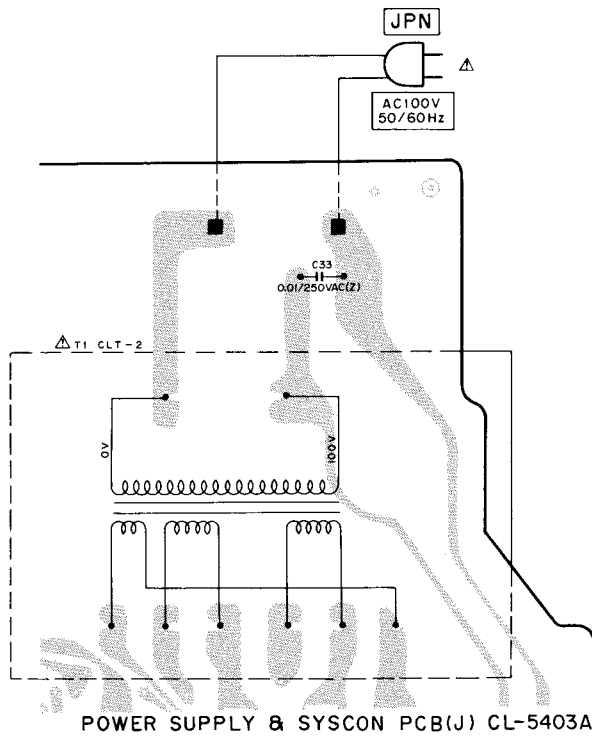
1) Pre Amp P.C Board CL-5401A (2ED) and Volume P.C Board CL-5401B.



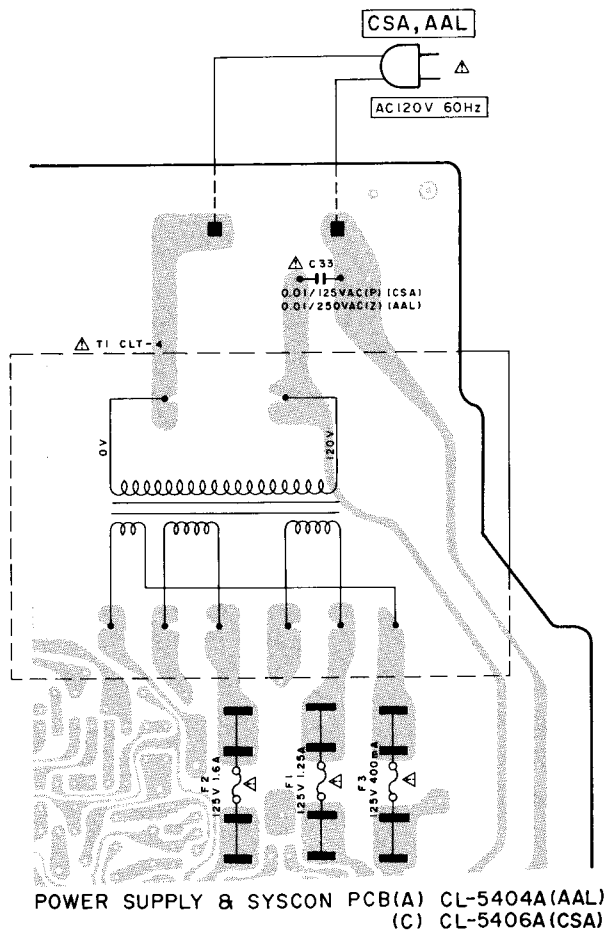
2) Power Supply and Sys Con P.C Board (U) CL-5402A, Remo Con P.C Board (U) CL-5402B, Lamp P.C Board CL-5009 and Detector P.C Board.



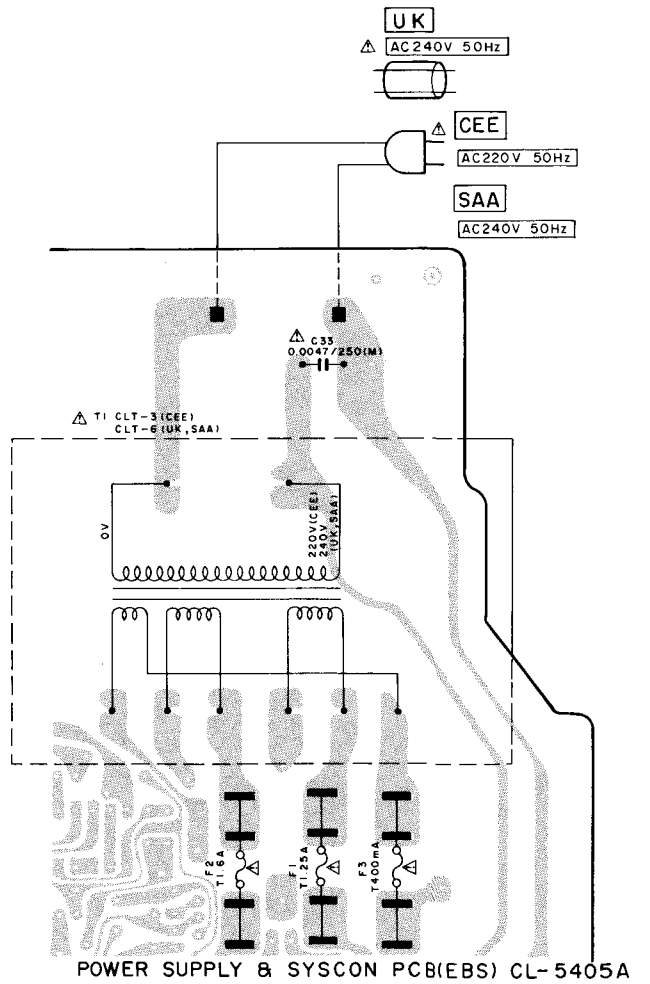
3) Power Supply and Sys Con P.C Board (J) CL-5403A



4) Power Supply and Sys Con P.C Board
 (A) CL-5404A(AAL)
 (C) CL-5406A(CSA)



5) Power Supply and Sys Con P.C Board
 (EBS) CL-5405A



MEMO

MEMO

MEMO

SECTION 2

PARTS LIST

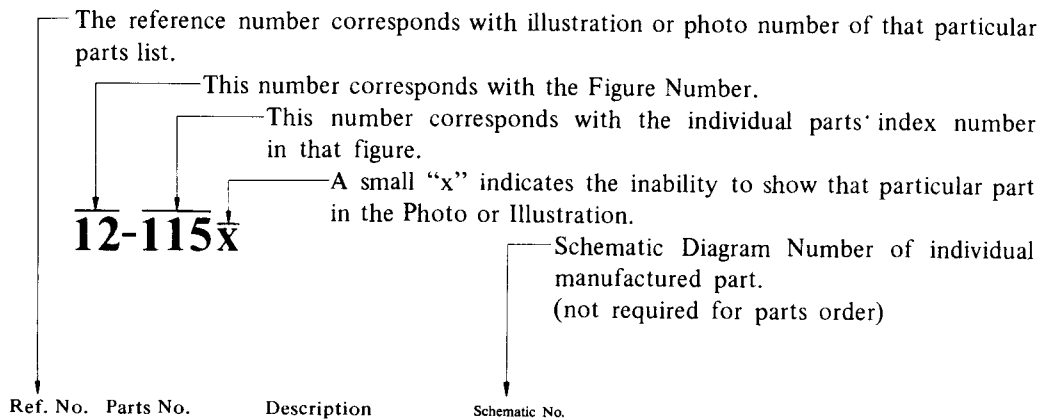
TABLE OF CONTENTS

1. RECOMMENDED SPARE PARTS LIST.....	24
2. REEL TABLE BLOCK.....	26
3. MECHA ASSEMBLY BLOCK	28
4. PRE AMP P.C BOARD (CL-5401A) BLOCK	30
5. POWER SUPPLY AND SYS. CON. P.C BOARD (CL-5402A/5403A/5404A/5405A/5406A) BLOCK	30
6. ASSEMBLY BLOCK	31
7. FINAL ASSEMBLY BLOCK	32
INDEX	32

Resistor and Capacitor which is not listed in this parts list, please refer to COMMON LIST FOR SERVICE PARTS.

HOW TO USE THIS PARTS LIST

1. This parts list is compiled by various individual blocks based on assembly process.
2. When ordering parts, please describe parts number, serial number, and model number in detail.
3. How to read list.



FLYWHEEL BLOCK #13			
Ref. No.	Parts No.	Description	Schematic No.
12-115x	800425	Flywheel Block Assy. Comp.	RDG #13
12-116	244506	Flywheel Only	RD 233
12-117x	244754	Felt, Flywheel	RD 275
12-118	251324	Main Metal Case	RD 236
12-119	253080	Main Metal	RD 237

4. The symbol numbers shown on the P.C. Board list can be matched with the Composite Views of components of the Schematic Diagram or Service Manual.
5. The indications of Resistors and Capacitors in the photos of P.C. Board are being eliminated.
6. The shape of the parts and parts name, etc. can be confirmed by comparing them with the parts shown on the Electrical Parts Table of P.C. Board.
7. Both the kind of part and installation position can be determined by the Parts Number. To determine where a parts number is listed, utilize Parts Index at end of Parts List.
It is necessary first of all to find the Parts Number. This can be accomplished by using the Reference Number listed at right of parts number in the Parts Index. (meaning of ref. no. outlined in Item 3 above).
8. Utilize separate "Price List for Parts" to determine unit price. The most simple method of finding parts Price is to utilize the reference number.

CAUTION:

1. When placing an order for parts, be sure to list the parts no. model no., and description. There are instances in which if any of this information is omitted, parts cannot be shipped or the wrong parts will be delivered.
2. Please be careful not to make a mistake in the parts no. If the parts no. is in error, a part different from the one ordered may be delivered.
3. Because parts number and parts unit supply in the Preliminary Service Manual (Basic Parts List) may be partially changed, please use this parts list for all future reference.

WARNING: Δ INDICATES SAFETY CRITICAL COMPONENTS. FOR CONTINUED SAFETY, REPLACE SAFETY CRITICAL COMPONENTS ONLY WITH MANUFACTURER'S RECOMEMNDED PARTS.

AVERTISSEMENT: Δ IL INDIQU LES COMPOSANTS CRITIQUES DE SURETE. POUR MAINTENIR LE DEGRE DE SECURITE DE L'APPAREIL NE REMPLACER LES COMPOSANTS DONT LE FONCTIONNEMENT EST CRITIQUE POUR LA SECURITE QUE PAR DES PIECES RECOMMANDEES PAR LE FABRICANT.

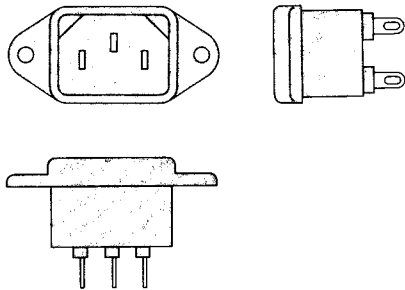
AC INLET SYSTEM

This model is equipped with an AC INLET SYSTEM. Please refer to the AC INLET SYSTEM CHART below for the specific type. By the AC INLET SYSTEM, AC (mains) cord can be connected to and disconnected from the model because the model is provided with socket exclusively for AC (mains) cord on its main body.

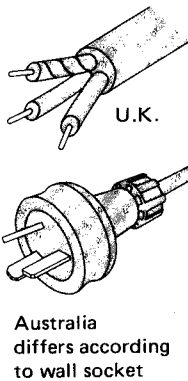
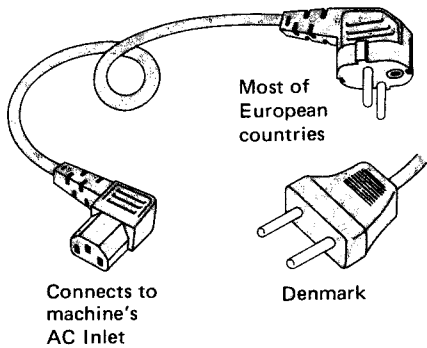
Please note, however, that certain models are not equipped with this system and has a built-in AC (mains) cord as before.

AC INLET SYSTEM CHART

CLASS I

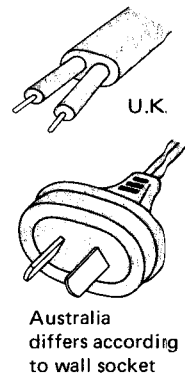
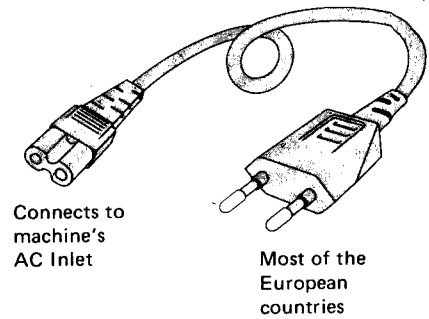
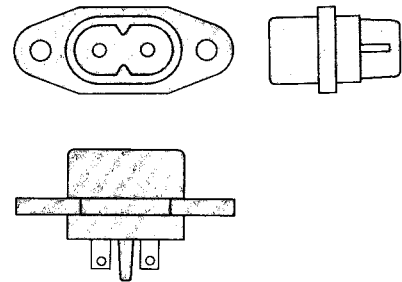


Picture 1
AC INLET
to be
installed
on machines



CLASS II

☐ This mark indicating double insulation will be attached to machine's rear panel



Parts List for AC (mains) Cord Set

	Standard	Description	Type of AC Inlet	PartsNo.
Class I	CEE	Cord Set CEE (3 cores)	3P	EW302993
	UK	Cord Set UK (3 cores)	3P	EW302994
	SAA	Cord Set SAA (3 cores)	3P	EW302996
	U/T	Cord Set U/T (3 cores)	3P	EW302646
Class II	CEE	Cord Set CEE (2 cores)	2P	EW631144
	UK	Cord Set UK (2 cores)	2P	EW302995
	SAA	Cord Set SAA (2 cores)	2P	EW302991
	U/T	Cord Set U/T (2 cores)	2P	EW302899

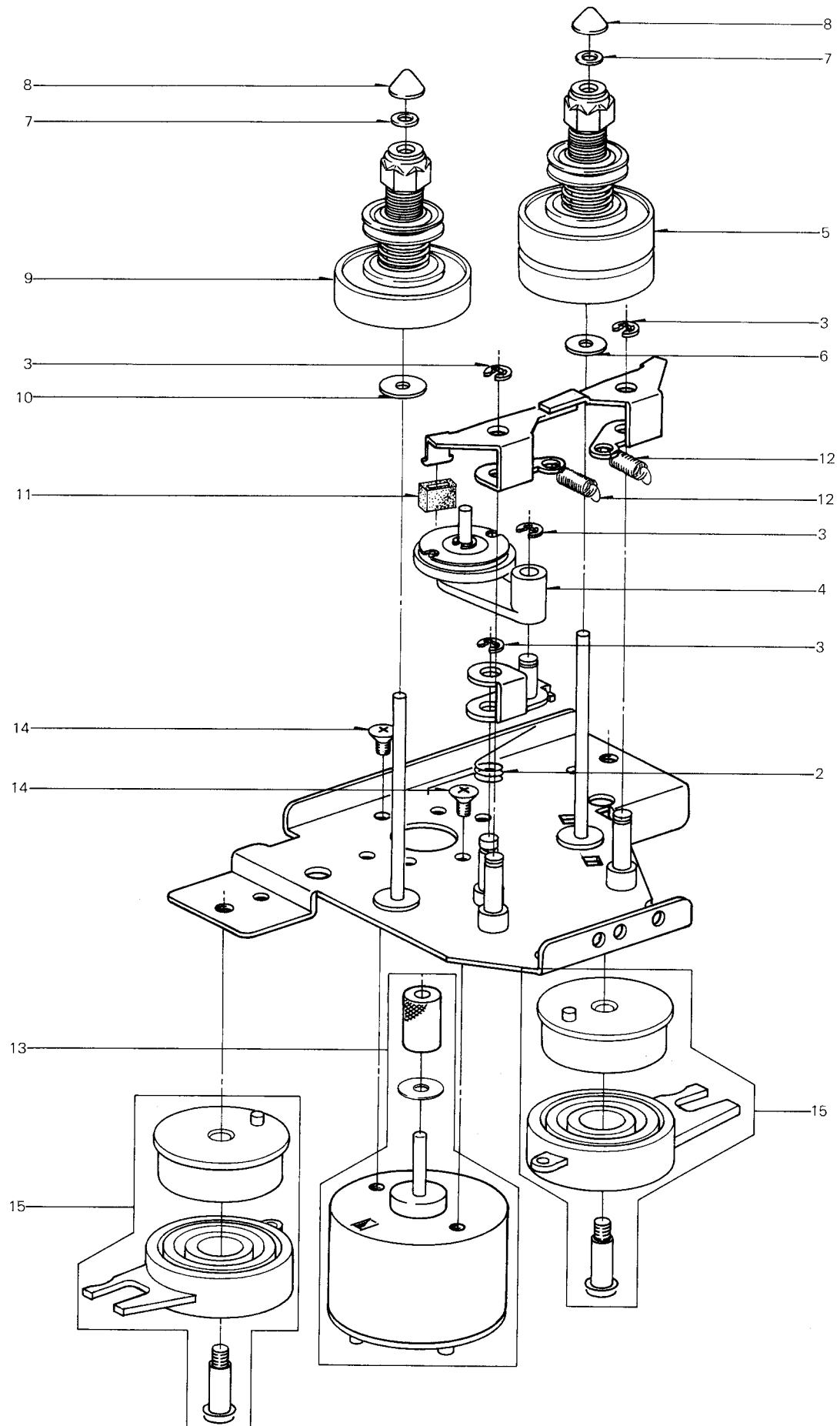
1. RECOMMENDED SPARE PARTS LIST

Because, if the parts listed below are on hand, almost any repair can be accomplished, we suggest that you stock these Recommended Spare Parts Items.

Parts No.	Description	Note
BF200102	FLYWHEEL (B)	
BH600562	HEAD BLK CS-F11	
BL328427	TAKE-UP IDLER ASSY	
BL328426	WIND IDLER ASSY	
BM329353	△ MAIN MOTOR BLD (W/PULLEY) GX-F35	
BM329350	△ REEL MOTOR BLK (W/PULLEY) GX-F35	
BR328425	SUPPLY REEL TABLE ASSY	
BR328424	TAKE-UP REEL TABLE ASSY	
BT328401	△ TRANS POWER CLT-1	U/T
BT328402	△ TRANS POWER CLT-2	JPN
BT328403	△ TRANS POWER CLT-3	CEE
BT328404	△ TRANS POWER CLT-4	CSA, AAL
BT328405	△ TRANS POWER CLT-6	UK, SAA
BZ329366	DAMPER (A) ASSY GX-F35	
BZ329351	DAMPER (B) ASSY GX-F35	
ED308953	D GERMA H 1K34A-LH SNP	
ED322982	D GERMA V 1S188FM-1-LR F07	
ED200469	D SILICON H DS448 FA1 F10	
ED316143	D SILICON H 1S2473HS F10	
ED308945	D SILICON SVB10-100 100/1.0A	
ED309357	D SILICON SVB15-100 100/1.5A	
ED200468	D SILICON V DS448 VB3	
ED560913	D SILICON V 1S2473VE	
ED306109	D SILICON W03B 100/1.0A	
ED328486	D ZENER H HZ15 3	
ED313846	D ZENER H HZ16 3	
ED329449	D ZENER H HZ18 3	
ED319167	D ZENER H HZ6 C3	
ED328700	D ZENER H HZ9 A2	
EF668474	△ FUSE SEMKO T 250V 0.40A	CEE, UK, SAA
EF602550	△ FUSE SEMKO T 250V 1.25A	CEE, UK, SAA
EF601964	△ FUSE SEMKO T 250V 1.60A	CEE, UK, SAA
EF309389	△ FUSE TSC A 250V 0.40A	U/T, JPN
EF306949	△ FUSE TSC A 250V 1.25A	U/T, JPN
EF311839	△ FUSE TSC A 250V 1.60A	U/T, JPN
EF308848	△ FUSE TSC 125V 0.40A	CSA, AAL
EF309392	△ FUSE TSC 125V 1.25A	CSA, AAL
EF308847	△ FUSE TSC 125V 1.60A	CSA, AAL
EI430661	IC M53200P	
EI308936	IC M54410P	
EI605013	IC NE545B	
EI329411	PHOTO SENSOR NJL5141E-B A, B	
EJ324276	DIN J TCS4680-01-111 P 8P	
EL200096	PL LEAD 3.5V 100MA	
EM329497	IND LE LT-1003 GRAPH	
EO328485	COIL OSC 1 2325-067 100KHZ	
EO315758	COIL TUN 1 100S-431 100KHZ	
EO310608	COIL VARI 1 FE001 3.3MH	
EP328419	△ SOLENOID 1240PLT 27V	
EP328420	△ SOLENOID 1240PLT 27V	

Parts No.	Description	Note
EP328529	RELAY LEAD LAB2NS 2NO 12V	
ER328520	△ R FUSE ERD2FC 1/4W 1000G	
ER201584	△ R FUSE ERD2FC 1/4W 33R0G	
ER325381	△ R FUSE FR25SJ 1/4W 2R2J	
ER328490	FILTER DB D07-001K 19KHZ	
ER328491	FILTER DB D07-003K 100KHZ	
ES315159	△ SW PUSH SDG1P 01-1 J	JPN
ES310839	△ SW PUSH SDG1P-E 01-1 E	U/T, CEE, UK, SAA
ES655806	△ SW PUSH SDG1P-J 01-1 C	CSA
ES665875	△ SW PUSH SDG1P-J 01-1 UC	AAL
ES328430	SW LEAF BSW-101B 01-1 NO	
ES201314	SW LEVER 00430408 2-04-03S	
ES315748	SW LEVER 83157 2-08-03S	
ES201235	SW OPERATION CS-F11 7P L	
ES201236	SW OPERATION CS-F11-BL 7P L	
ES328416	SW SLIDE SSB02385 2-02-03S	
ES283072	SW SLIDE SSC22LP 2-02-02N	
ES328530	SW SOLENOID SWE018404 18V 04-2N	
ET200479	TR 2SA1115 D, E, F	
ET554657	TR 2SA733A, Q	
ET201801	TR-2SA830	
ET324134	TR 2SA984K E, F	
ET328438	TR 2SB808-V F, G	
ET375603	TR 2SC1061 B, C	
ET301154	TR 2SC1162 C, D	
ET603257	TR 2SC1312S G, H	
ET308937	TR 2SC2130 G, H	
ET309353	TR 2SC2274 E, F	
ET200505	TR 2SC2603 E, F	
ET200985	TR 2SC2603 F, G	
ET639437	TR 2SC945L QA, PA	
ET328437	TR 2SD1012-V F, G	
ET328440	TR 2SD863-V8 E, F	
ET321016	TR 2SK117 GR, BL	
EV315755	R S-FIX H D10 3P 503	
EV321637	R S-FIX H D8 3P 104	
EV315414	R S-FIX H D8 3P 203	
EV322416	R S-FIX H D8 3P 303	
EV315413	R S-FIX H D8 3P 503	
EV329416	VR ROTARY 16P11 × 0R 15A503 15A 503	
HE321585	HEAD E HF213151 C	
HP307411	HEAD R/P HN424660 C	
MB328324	COUNTER BELT	
MB328323	FLYWHEEL BELT	
MC328723	COUNTER MP390-442	
MC328725	COUNTER (BL) MP390-443	
ML328513	PINCH ROLLER ARM PART GX-F35	
MP319580	PINCH ROLLER PART GX-F90	
MV328322	MAIN CASE	
MZ283140	△ SOCKET SELECTER X-17238 6P	U/T

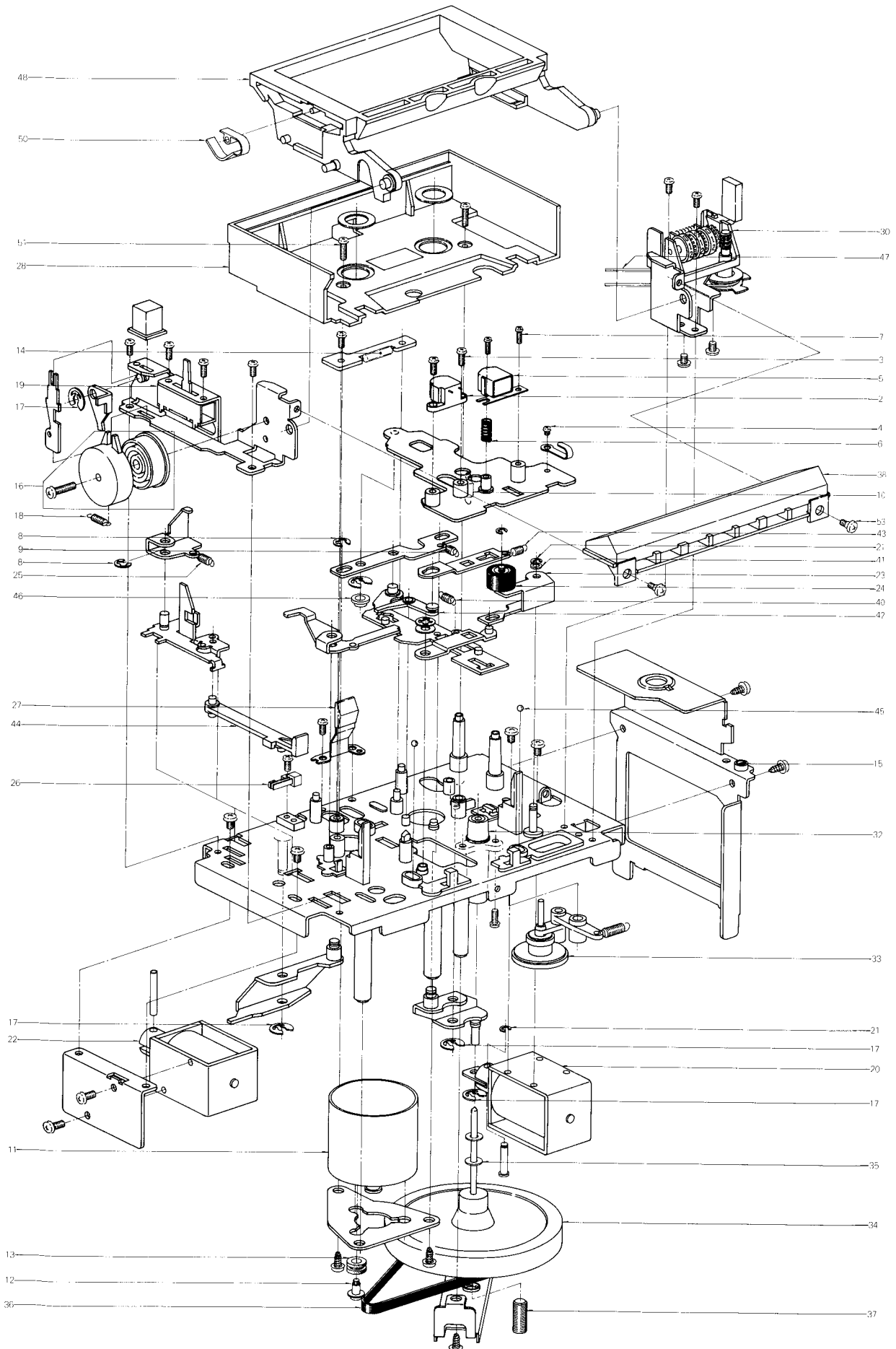
2. REEL TABLE BLOCK



2. REEL TABLE BLOCK

Ref. No.	Parts No.	Description
2-1X	BR328517	REEL TABLE PART GX-F35
2-2	ZG328361	IDLER SPRING
2-3	ZW270088	RING E 190SUP CMT
2-4	BL328426	WIND IDLER ASSY
2-5	BR328424	TAKE-UP REEL TABLE ASSY
2-6	ZW536466	PW21 × 070 × 050NYL
2-7	ZW305546	PW21 × 040 × 025PSL
2-8	MT305793	REEL CAP
2-9	BR328425	SUPPLY REEL TABLE ASSY
2-10	ZW201610	PW19.8 × 080 × 025PSL
2-11	MB282104	BRAKE RUBBER
2-12	ZG312945	SP T1-3.2/0.29 - 14.0 T1-061
2-13	BM329350	△ REEL MOTOR BLK (W/PULLEY) GX-F35
2-14	ZS430413	CTS26 × 04STL CMT
2-15	BZ329351	DAMPER (B) ASSY GX-F35

3. MECHA ASSEMBLY BLOCK



3. MECHA ASSEMBLY BLOCK

Ref. No.	Parts No.	Description
HEAD BLOCK		
3-1X	BH600562	HEAD BLK CS-F11
3-2	HE321585	HEAD E HF213151 C
3-3	ZS590804	PAN23 × 06STL CMT
3-4	ZS303936	PAN20 × 02STL CMT
3-5	HP307411	HEAD R/P HN424660 C
3-6	ZG328305	ANGLE SPRING
3-7	ZS608106	PAN20 × 06STL CMT
3-8	ZW270101	RING E300SUP CMT
3-9	ZG312946	SP T1-3.2/0.29 — 16.0 T1-062
3-10	ZG312997	SP T1-4.0/0.4 — 16.0 T1-111
MAIN MOTOR BLOCK		
3-11	BM329353	△ MAIN MOTOR BLK (W/PULLEY) GX-F35
3-12	ZS321338	MOTOR SCREW
3-13	MB282778	RUBBER BUSH
LAMP P.C BOARD BLOCK		
3-14	EL200096	PL LEAD 3.5V 100MA
DETECTION P.C BOARD BLOCK		
3-15	EI329411	PHOTO SENSOR NJL5141E-B A, B
SW BRACKET BLOCK		
3-16	BZ329366	DAMPER (A) ASSY GX-F35
3-17	ZW290283	RING U 285SUP CMT
3-18	ZG329433	EJECT SPRING
SW SLIDE ASSY		
3-19	ES328416	SW SLIDE SSB02385 2-02-035
R PLUNGER ASSY		
3-20	EP328420	△ SOLENOID 1240PLT 27V
3-21	ZW270088	RING E 190SUP CMT
L PLUNGER ASSY		
3-22	EP328419	△ SOLENOID 1240PLT 27V
PINCH ROLLER ASSY		
3-23	ML328513	PINCH ROLLER ARM PART GX-F35
3-24	MP319580	PINCH ROLLER PART GX-F90
EJECT ASSY		
3-25	ZG312943	SP T1-3.2/0.29 — 11.2 T1-059
LEAF SW ASSY		
3-26	ES328430	SW LEAF BSW-101B 01-1 NO
CASSETTE HOLD PLATE ASSY		
3-27	TC329369	CASSETTE HOLD PLATE ASSY GX-F35
LID HOUSING ASSY		
3-28	BZ329374	LID HOUSING ASSY GX-F35
3-29X	BZ329375	LID HOUSING ASSY GX-F35-BL
COUNTER BLOCK		
3-30	MC328723	COUNTER MP390-442
3-31X	MC328725	COUNTER (BL) MP390-443

Ref. No.	Parts No.	Description
MECHA ASSEMBLY BLOCK		
3-32	MV328322	MAIN CASE
3-33	BL328427	TAKE-UP IDLER ASSY
3-34	BF200102	FLYWHEEL (B)
3-35	ZW309295	THRUST WASHER
3-36	MB328323	FLYWHEEL BELT
3-37	ZS302318	HOLD SCREW
3-38	ES201235	SW OPERATION CS-F11 7P L
3-39X	ES201236	SW OPERATION CS-F11-BL 7P L
3-40	ZG328352	PINCH ROLLER SPRING
3-41	ZW329448	PW26 × 045 × 013PSL
3-42	ML328337	COUPLING LEVER
3-43	ZG324329	SP T2-3.2/0.29 — 11.2 T2-059
3-44	TC328344	EJECT JOINT
3-45	MV368886	BALL 300STL
3-46	TC328348	GUIDE COLLAR
3-47	MB328324	COUNTER BELT
3-48	TC328350	CASSETTE HOLDER
3-49X	TC328351	CASSETTE HOLDER (BL)
3-50	ZG321487	MOLD SPRING
3-51	ZS329445	PLX PAN26 × 08STL N13
3-52X	ZS329443	PLX PAN26 × 08STL BNI (BL)
3-53	ZS328347	OP FIXATION SCREW

4. PRE AMP P.C BOARD (CL-5401A)

BLOCK

Ref. No.	Parts No.	Description
4-1	BA600553	PRE AMP PC BLK CS-F11(U) (U/T, JPN, CSA, AAL)
4-2	BA600554	PRE AMP PC BLK CS-F11(E) (CEE, UK, SAA)
4-IC1	EI605013	IC NE545B
4-TR1T04	ET603257	TR 2SC1312S G, H
4-TR5	ET328437	TR 2SD1012-V F, G
4-TR6	ET200985	TR 2SC2603 F, G
4-TR7	ET301154	TR 2SC1162 C, D
4-TR8	ET200986	TR 2SD863-V8 F
4-TR9T011	ET200985	TR 2SC2603 F, G
4-TR12	ET328347	TR 2SD1012-V F, G
4-TR13	ET200505	TR 2SC2603 E, F
4-TR14	ET201801	TR 2SA830
4-TR15	ET301154	TR 2SC1162 C, D
4-TR16T019	ET200985	TR 2SC2603 F, G
4-TR20	ET201580	TR 2SD894
4-TR21	ET200479	TR 2SA1115 D, E, F
4-TR22	ET200505	TR 2SC2603 E, F
4-TR23	ET200596	TR 2SC2603 E
4-TR24	ET321016	TR 2SK117 GR, BL
4-TR25	ET603257	TR 2SC1312S G, H
4-D1	ED308953	D GERMA H 1K34A-LH SNP
4-D2	ED200469	D SILICON H DS448 FA1 F10
4-D3	ED328486	D ZENER H HZ15 3
4-D4T08	ED200469	D SILICON H DS448 FA1 F10
4-D9T012	ED200468	D SILICON V DS448 VB3
4-D13	ED306109	D SILICON W03B 100/1.0A
4-D14	ED328700	D ZENER H HZ9 A2
4-D15	ED200468	D SILICON V DS448 VB3
4-D16,17	ED322982	D GERMA V IS188FM-1-LR F07
4-D18	ED200469	D SILICON H DS448 FA1 F10
4-SW1	ES283072	SW SLIDE SSC22LP 2-02-02N (CEE, UK SAA)
4-SW2	ES328530	SW SOLENOID SWE018404 18V 04-2N
4-SW3	ES201314	SW LEVER 00430408 2-04-03S
4-SW4	ES315748	SW LEVER 83157 2-08-03S
4-SW5	EP328529	RELAY LEAD LAB2NS 2NO 12V
4-VR1	EV315413	R S-FIX H D8 3P 503
4-VR2	EV322416	R S-FIX H D8 3P 303
4-VR3	EV315755	R S-FIX H D10 3P 503
4-VR5	EV321637	R S-FIX H D8 3P 104
4-VR6	EV315413	R S-FIX H D8 3P 503
4-VR7	EV315414	R S-FIX H D8 3P 203
4-VL1	EO310608	COIL VARI 1 FE001 3.3MH
4-T1	EO328485	COIL OSC 1 2325-067 100KHZ
4-FL1	ER328490	FILTER DB D07-001K 19KHZ
4-FL2	ER328491	FILTER DB D07-003K 100KHZ
4-FL3,4	EO315758	COIL TUN 1 100S-431 100KHZ
4-J1	EJ321328	PHONE J HLJ0345-010 2 x 3P
4-J2	EJ316156	PHONE J 3P HLJ0315-020 6.3
4-J3	EJ308986	PIN J 1784P1782 P 4P (U/T, JPN, CSA, AAL)
4-J3	EJ308985	JACK PLATE DIN, PIN JACK 4P (CEE, UK, SAA)
4-FR1	ER328520	△ R FUSE ERD2FC 1/4W 1000G
4-FR2	ER325381	△ R FUSE FR25SJ 1/4W 2R2J
4-C13	EC310599	C STY V F05 500 391K 50DC
4-C20	EC200983	C STY V F05 500 101K 50DC
4-C55	EC201021	C STY V F05 CQF09 151J 250DC
4-C56	EC325380	C PP V F10 PFH 332J 630DC

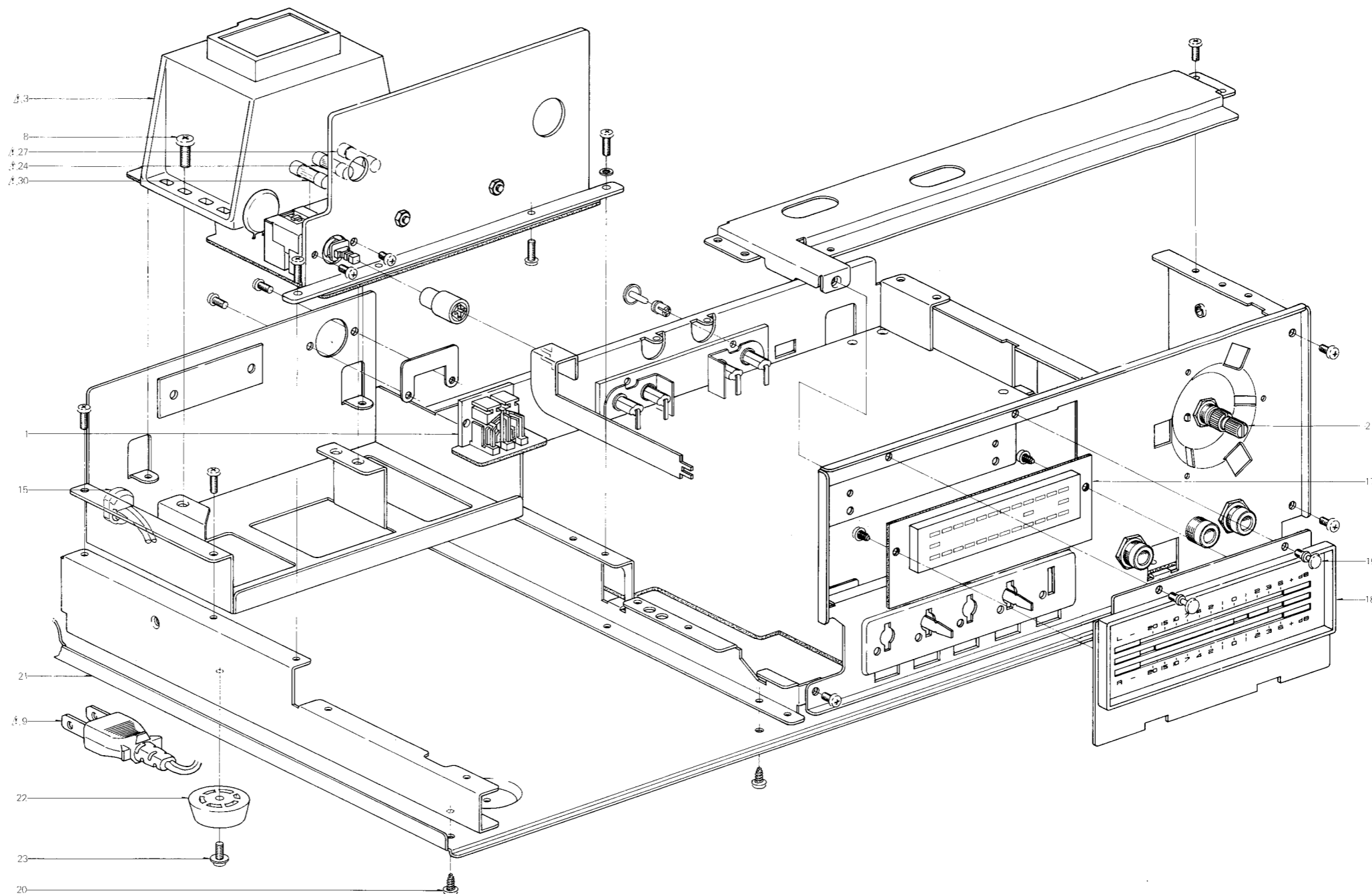
5. POWER SUPPLY AND SYS. CON. P.C

BOARD (CL-5402A/5403A/5404A/5405A/

5406A) BLOCK

Ref. No.	Parts No.	Description
5-1	BA600544	POWER PC (U) BLK CS-F11(U) (U/T)
5-2	BA600868	POWER PC (J) BLK CS-F11(J) (JPN)
5-3	BA600869	POWER PC (C) BLK CS-F11(C) (CSA)
5-4	BA600876	POWER PC (A) BLK CS-F11(A) (AAL)
5-5	BA600871	POWER PC (EBS) BLK CS-F11(E) (CEE, UK, SAA)
5-IC1	EI308936	IC M54410P
5-IC2	EI430661	IC M53200P
5-TR1	ET554657	TR 2SA733A P, Q
5-TR2,3	ET639437	TR 2SC945L QA, PA
5-TR4	ET324134	TR 2SA984K E, F
5-TR5	ET308937	TR 2SC2130 G, H
5-TR6	ET309353	TR 2SC2274 E, F
5-TR7,8	ET639437	TR 2SC945L QA, PA
5-TR9	ET324134	TR 2SA984K E, F
5-TR10	ET308937	TR 2SC2130 G, H
5-TR11	ET309353	TR 2SC2274 E, F
5-TR12,13	ET554657	TR 2SA733A P, Q
5-TR14T018	ET308141	TR 2SC2603 G
5-TR19	ET554657	TR 2SA733A P, Q
5-TR20,21	ET328438	TR 2SB808-V F, G
5-TR22,23	ET328437	TR 2SD1012-V F, G
5-TR24T030	ET308141	TR 2SC2603 G
5-TR32	ET639437	TR 2SC945L QA, PA
5-TR33	ET301154	△ TR 2SC1162 C, D
5-TR34	ET639437	TR 2SC945L QA, PA
5-TR35	ET328440	△ TR 2SD863-V8 E, F
5-TR36	ET308937	TR 2SC2130 G, H
5-TR37	ET375603	△ TR 2SC1061 B, C
5-TR38	ET308141	TR 2SC2603 G
5-D1T010	ED560913	D SILICON V 1S2473VE
5-D11T012	ED306109	D SILICON W03B 100/1.0A
5-D13T015	ED560913	D SILICON V 1S2473VE
5-D16	ED316143	D SILICON H 1S2473HS F10
5-D17T019	ED560913	D SILICON V 1S2473VE
5-D20,21	ED306109	D SILICON W03B 100/1.0A
5-D22T036	ED560913	D SILICON V 1S2473VE
5-D37	ED313846	D ZENER H HZ16 3
5-D38	ED560913	D SILICON V 1S2473VE
5-D39	ED319167	D ZENER H HZ6 C3
5-D40	ED329449	D ZENER H HZ18 3
5-D41	ED308945	△ D SILICON SVB10-100 100/1.0A
5-D42	ED309357	△ D SILICON SVB15-100 100/1.5A
5-VS1	MZ283140	△ SOCKET SELECTER X-17238 6P (U/T)
5-SW1	ES310839	△ SW PUSH SDG1P-E 01-1 E (U/T, CEE, UK, SAA)
5-SW1	ES315159	△ SW PUSH SDG1P 01-1 J (JPN)
5-SW1	ES655806	△ SW PUSH SDG1P-J 01-1 C (CSA)
5-SW1	ES665875	△ SW PUSH SDG1P-J 01-1 UC (AAL)
5-FR1	ER201584	△ R FUSE ERD2FC 1/4W 33R0G
5-C33	EC320548	△ C CE V F 103Z 250AC (U/T, JPN, AAL)
5-C33	EC314688	△ C CE V FZ 103P 125AC (CSA)
5-C33	EC327382	△ C MP V 472M 250AC (CEE, UK, SAA)

6. ASSEMBLY BLOCK



6. ASSEMBLY BLOCK

Ref. No.	Parts No.	Description
REMO. CON. P.C BOARD BLOCK		
6-1	EJ324276	DIN J TCS4680-01-111 P 8P
VOL. P.C BOARD BLOCK		
6-2	EV329416	VR ROTARY 16P11 × 0R 15A503 15A503
POWER SUPPLY BLOCK		
6-3	BT328401	△ TRANS POWER CLT-1 (U/T)
6-4X	BT328402	△ TRANS POWER CLT-2 (JPN)
6-5X	BT328404	△ TRANS POWER CLT-4 (CSA, AAL)
6-6X	BT328403	△ TRANS POWER CLT-3 (CEE)
6-7X	BT328405	△ TRANS POWER CLT-6 (UK, SAA)
6-8	ZS314702	ST BID40 × 010STL CMT
6-9	EW306428	△ AC CORD 2 CORES KP-205A, VCC UCJ (U/T)

Ref. No.	Parts No.	Description
6-10X	EW306427	△ AC CORD 2 CORES KP-211, VFF J (JPN)
6-11X	EW305691	△ AC CORD 2 CORES KP-8, SPT-1 UC (CSA, AAL)
6-12X	EW313882	△ AC CORD 2 CORES KP-419C, LTCE-2F E (CEE)
6-13X	EW313884	△ AC CORD 2 CORES GTBS-2F 24/0.20 × 02 B (UK)
6-14X	EW313883	△ AC CORD 2 CORES KP-560, VFSA-2S (SAA)
6-15	EZ631945	STRAIN RELIEF SR-4N-4 (EXCEPT UK)
6-16X	EJ692908	STRAIN RELIEF SR-5N-4 (UK)

Ref. No.	Parts No.	Description
ASSEMBLY BLOCK		
6-17	EM329497	IND LE LT-1003 GRAPH
6-18	SZ200680	LED METER COVER
6-19	ZW698308	RV NYL30 × 055 BL
6-20	ZS320906	ST BR30 × 06STL CMT
6-21	SP328379	BOTTOM PLATE
6-22	SA306240	RUBBER FOOT (B)
6-23	ZS313486	ST PAN30 × 06STL CMT C
6-24	EF306949	△ FUSE TSC A 250V 1.25A (F1)(U/T, JPN)
6-25X	EF309392	△ FUSE TSC 125V 1.25A (F1)(CSA, AAL)
6-26X	EF602550	△ FUSE SEMKO T 250V 1.25A (F1)(CEE, UK, SAA)

Ref. No.	Parts No.	Description
6-27	EF311839	△ FUSE TSC A 250V 1.60A (F2)(U/T, JPN)
6-28X	EF308847	△ FUSE TSC 125V 1.60A (F2)(CSA, AAL)
6-29X	EF601964	△ FUSE SEMKO T 250V 1.60A (F2)(CEE, UK, SAA)
6-30	EF309389	△ FUSE TSC A 250V 0.40A (F3)(U/T, JPN)
6-31X	EF308848	△ FUSE TSC 125V 0.40A (CSA, AAL)
6-32X	EF668474	△ FUSE SEMKO T 250V 0.40A (CEE, UK, SAA)

When ordering parts, please quote Parts Number, Description and Model Number.

7. FINAL ASSEMBLY BLOCK



7. FINAL ASSEMBLY BLOCK

Ref. No.	Parts No.	Description
LID PANEL BLOCK		
7-1	BD600563	LID PANEL BLK CS-F11
7-2X	BD601721	LID PANEL BLK CS-F11-BL
FRONT PANEL BLOCK		
7-3	BD600564	FRONT PANEL BLK CS-F11 (U) (U/T, JPN, CSA, AAL)
7-4X	BD600565	FRONT PANEL BLK CS-F11 (E) (CEE, UK, SAA)
7-5X	BD600566	FRONT PANEL BLK CS-F11-BL(U) (U/T, JPN, CSA, AAL)
7-6X	BD600567	FRONT PANEL BLK CS-F11-BL(E) (CEE, UK, SAA)
7-7	BD600569	SUB PANEL BLK CS-F11
7-8X	BD600571	SUB PANEL BLK CS-F11-BL
FINAL ASSEMBLY BLOCK		
7-9	SB316316	BUTTON (B)
7-10X	SB316317	BUTTON (B-BL)
7-11	SK328391	SLIDE KNOB
7-12X	SK328392	SLIDE KNOB (BL)
7-13	SB316498	BUTTON (B)
7-14X	SB316499	BUTTON (B-BL)
7-15X	SE325784	VOL. ESCUTCHEON
7-16X	SE329408	VOL. ESCUTCHEON (BL)
7-17	SK328387	LEVER KNOB
7-18X	SK328388	LEVER KNOB (BL)
7-19	SP328471	UPPER COVER (A) (EXCEPT AAL)
7-20X	SP328472	UPPER COVER (A-BL)
7-21X	SP328473	UPPER COVER (B) (AAL)
7-22	ZS315878	XST BID40 x 08STL NI3 (EXCEPT AAL)
7-23X	ZS310588	XST BID40 x 08STL BNI (AAL, BL)
7-24	SK200649	DOUBLE KNOB (UPPER-3)
7-25X	SK200650	DOUBLE KNOB (UPPER-3-BL)
7-26	SK325787	DOUBLE KNOB (LOWER)
7-27X	SK325788	DOUBLE KNOB (LOWER-BL)
7-28X	SP201231	BACK BOARD CS-F11(U) (U/T)
7-29X	SP201226	BACK BOARD CS-F11(J) (JPN)
7-30X	SP201229	BACK BOARD CS-F11(C) (CSA)
7-31X	SP201228	BACK BOARD CS-F11(A) (AAL)
7-32X	SP201230	BACK BOARD CS-F11(E) (CEE)
7-33X	SP201232	BACK BOARD CS-F11(B, S) (UK, SAA)
7-34X	ZS329427	T2PAN30 x 010STL CMT TW
7-35X	ZW305013	RV POP32 (AAL)

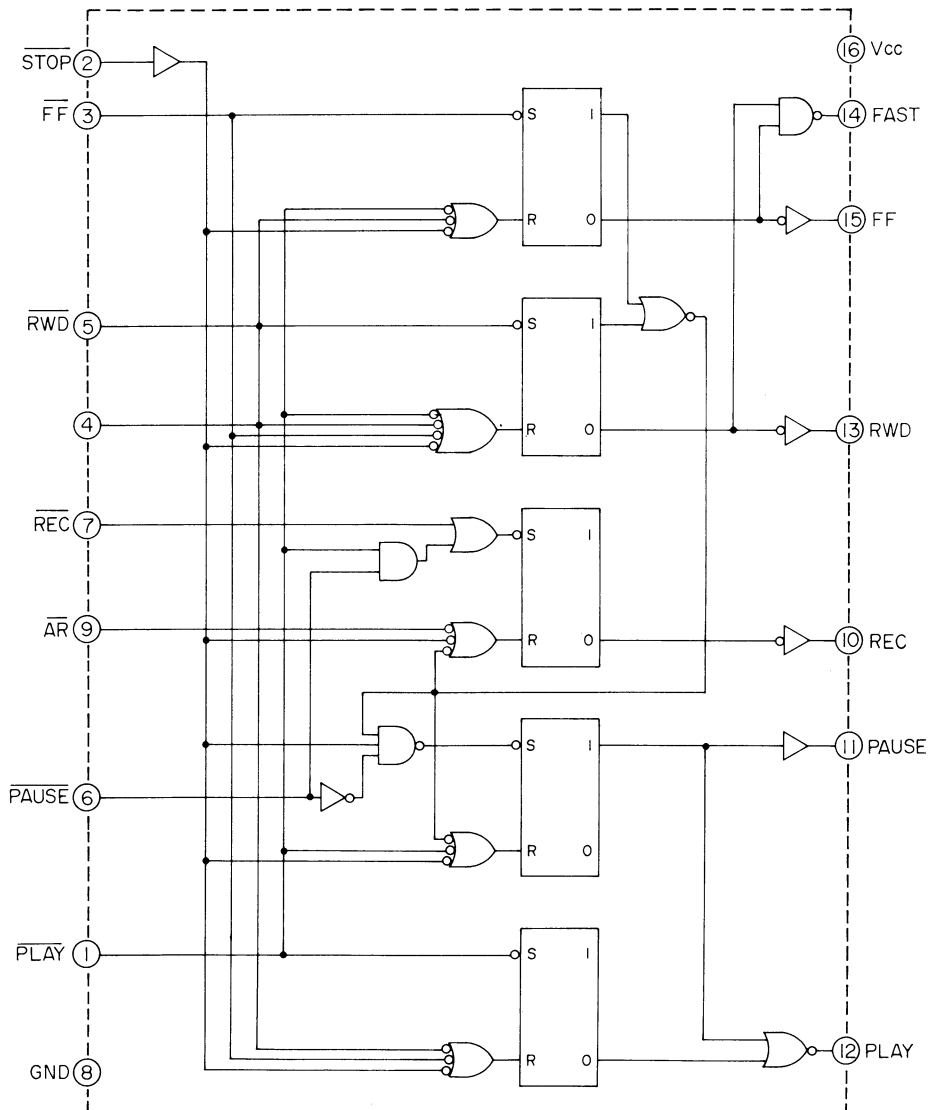
Parts No.	Ref. No. & Symbol No.	Parts No.	Ref. No. & Symbol No.	Parts No.	Ref. No. & Symbol No.	Parts No.	Ref. No. & Symbol No.
BA600544	5-1	EJ324276	6-1	HE321585	3-2	ZW536466	2-6
BA600553	4-1	EJ692908	6-16X	HP307411	3-5	ZW69308	6-19
BA600554	4-2	EL200096	3-14	MB282104	2-11		
BA600868	5-2	EM329497	6-17	MB282778	3-13		
BA600869	5-3	EO310608	4-VL1	MB328323	3-36		
BA600871	5-5	EO315758	4-FL3,4	MB328324	3-47		
BA600876	5-4	EO328485	4-T1	MC328723	3-30		
BD600563	7-1	EP328419	3-22	MC328725	3-31X		
BD600564	7-3	EP328420	3-20	ML328337	3-42		
BD600565	7-4X	EP328529	4-SW2	ML328513	3-23		
BD600566	7-5X	ER201584	5-FR1	MP319580	3-24		
BD-600567	7-6X	ER325381	4-FR2	MT305793	2-8		
BD600569	7-7	ER328490	4-FL1	MV328322	3-32		
BD600571	7-8X	ER328491	4-FL2	MV368886	3-45		
BD601721	7-2X	ER328520	4-FR1	MZ283140	5-VS1		
BF200102	3-34	ES201235	3-38	SA306240	6-22		
BH600562	3-1X	ES201236	3-39X	SB316316	7-9		
BL328426	2-4	ES201314	4-SW3	SB316317	7-10X		
BL328427	3-33	ES283072	4-SW1	SB316498	7-13		
BM329350	2-13	ES310839	5-SW1	SB316499	7-14X		
BM329353	3-11	ES315159	5-SW1	SE325784	7-15X		
BR328424	2-5	ES315748	4-SW4	SE329408	7-16X		
BR328425	2-9	ES328416	3-19	SK200649	7-24		
BR328517	2-1X	ES328430	3-26	SK200650	7-25X		
BT328401	6-3	ES328530	4-SW2	SK325787	7-26		
BT328402	6-4X	ES655806	5-SW1	SK325788	7-27X		
BT328403	6-6X	ES665875	5-SW1	SK328387	7-17		
BT328404	6-5X	ET200479	4-TR21	SK328388	7-18X		
BT328405	6-7X	ET200505	4-TR13	SK328391	7-11		
BZ329351	2-15	ET200505	4-TR22	SK328392	7-12X		
BZ329366	3-16	ET200596	4-TR23	SP201226	7-29X		
BZ329374	3-28	ET200985	4-TR6	SP201228	7-31X		
BZ329375	3-29X	ET200985	4-TR9TO11	SP201229	7-30X		
EC200983	4-C20	ET200985	4-TR16TO19	SP201230	7-32X		
EC201021	4-C55	ET200986	4-TR8	SP201231	7-28X		
EC310599	4-C13	ET201580	4-TR20	SP201232	7-33X		
EC314688	5-C33	ET301801	4-TR14	SP328379	6-21		
EC320548	5-C33	ET301154	4-TR7	SP328471	7-19		
EC325380	4-C56	ET301154	4-TR15	SP328472	7-20X		
EC327382	5-C33	ET301154	5-TR33	SP328473	7-21X		
ED200468	4-D9TO12	ET308141	5-TR14TO18	SZ200680	6-18		
ED200468	4-D15	ET308141	5-TR24TO30	TC328344	3-44		
ED200469	4-D2	ET308141	5-TR38	TC328348	3-46		
ED200469	4-D4TO8	ET308937	5-TR5	TC328350	3-48		
ED200469	4-D18	ET308937	5-TR10	TC328351	3-49X		
ED306109	4-D13	ET308937	5-TR36	TC329369	3-27		
ED306109	5-D11TO12	ET309353	5-TR6	ZG312943	3-25		
ED306109	5-D20,21	ET309353	5-TR11	ZG312945	2-12		
ED308945	5-D41	ET321016	4-TR24	ZG312946	3-9		
ED308953	4-D1	ET324134	5-TR4	ZG312997	3-10		
ED309357	5-D42	ET324134	5-TR9	ZG321487	3-50		
ED313846	5-D37	ET328437	4-TR5	ZG324329	3-43		
ED316143	5-D16	ET328437	4-TR12	ZG328305	3-6		
ED319167	5-D39	ET328437	5-TR22,23	ZG328352	3-40		
ED322982	4-D16,17	ET328438	5-TR20,21	ZG328361	2-2		
ED328486	4-D3	ET328440	5-TR35	ZG329433	3-18		
ED328700	4-D14	ET375603	5-TR37	ZS302318	3-37		
ED329449	5-D40	ET554657	5-TR1	ZS303936	3-4		
ED560913	5-D1TO10	ET554657	5-TR12,13	ZS310588	7-23X		
ED560913	5-D13TO15	ET554657	5-TR19	ZS313486	6-23		
ED560913	5-D17TO19	ET603257	4-TR1TO4	ZS314702	6-8		
ED560913	5-D22TO36	ET603257	4-TR25	ZS315878	7-22		
ED560913	5-D38	ET639437	5-TR2,3	ZS320906	6-20		
EF306949	6-24	ET639437	5-TR7,8	ZS321338	3-12		
EF308847	6-28X	ET639437	5-TR32	ZS328347	3-53		
EF308848	6031X	ET639437	5-TR34	ZS329427	7-34X		
EF309389	6-30	EV315413	4-VR1	ZS329443	3-52X		
EF309392	6-25X	EV315413	4-VR6	ZS329445	3-51		
EF311839	6-27	EV315414	4-VR7	ZS430413	2-14		
EF601964	6-29X	EV315755	4-VR3	ZS590804	3-3		
EF602550	6-26X	EV321637	4-VR5	ZS608106	3-7		
EF668474	6-32X	EV322416	4-VR2	ZW201610	2-10		
EI308936	5-IC1	EV329416	6-2	ZW270088	2-3		
EI329411	3-15	EW305691	6-11X	ZW270088	3-21		
EI430661	5-IC2	EW306427	6-10X	ZW270101	3-8		
EI605013	4-IC1	EW306428	6-9	ZW290283	3-17		
EJ308985	4-J3	EW313882	6-12X	ZW305013	7-35X		
EJ308986	4-J3	EW313883	6-14X	ZW305546	2-7		
EJ316156	4-J2	EW313884	6-13X	ZW309295	3-35		
EJ321328	4-J1	ZE631945	6-15	ZW329448	3-41		

SECTION 3

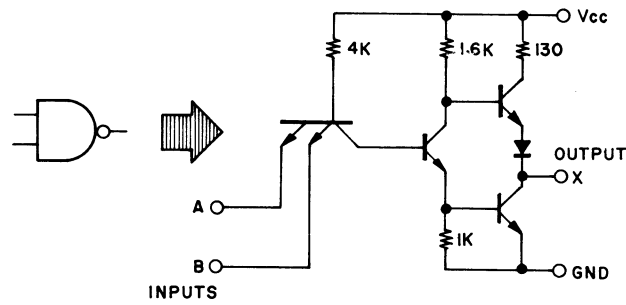
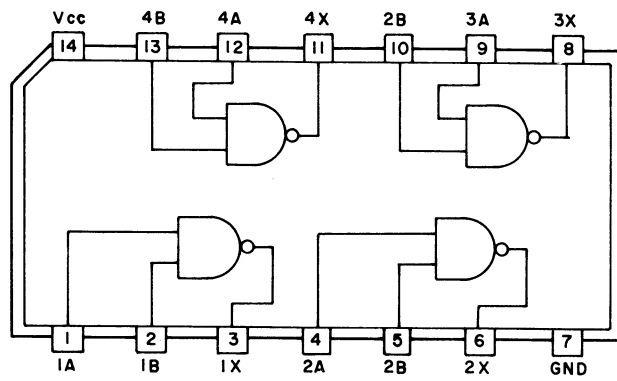
SCHEMATIC DIAGRAM

1. SCHEMATIC DIAGRAM OF ICs
2. CS-F11 NO. 2-1 1620242A SCHEMATIC DIAGRAM
3. CS-F11 NO. 2-2 1620243A SCHEMATIC DIAGRAM

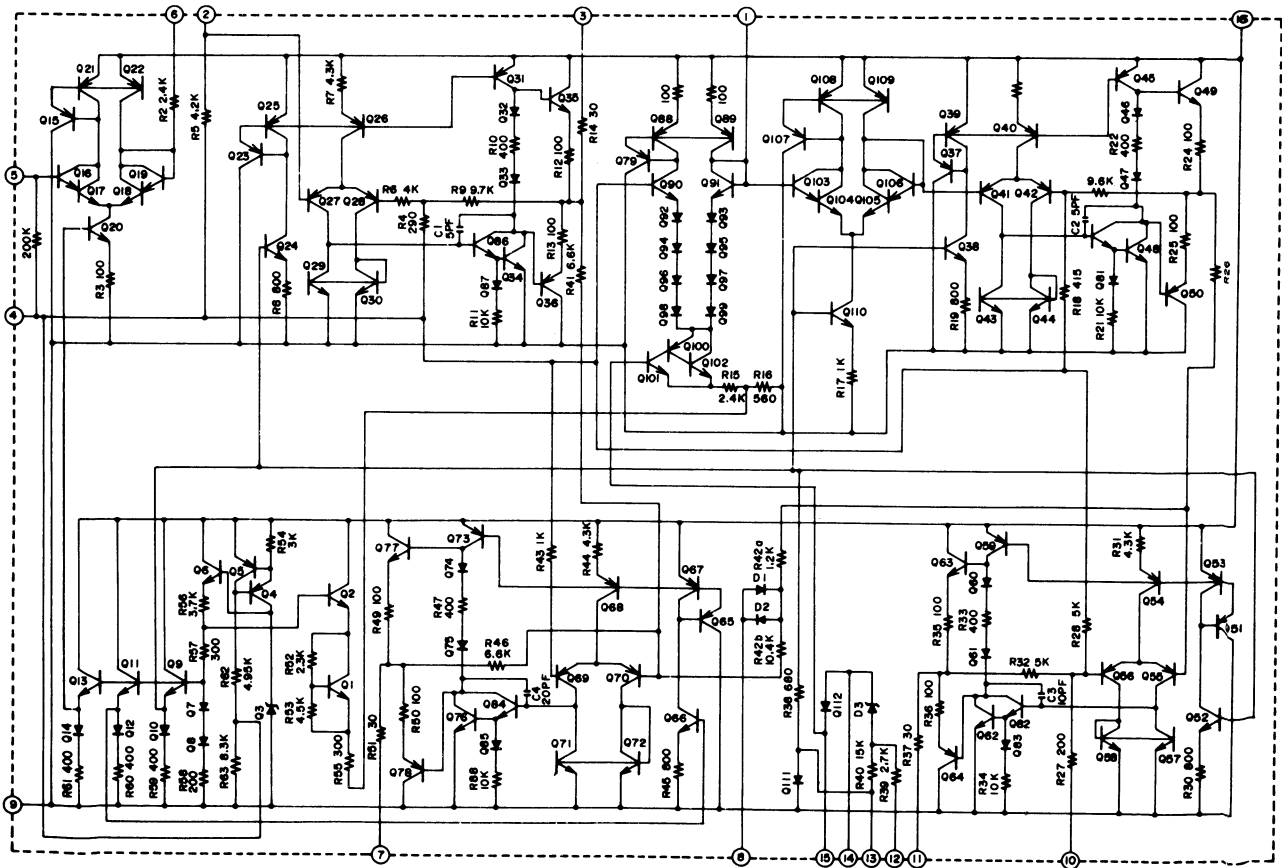
M54410P

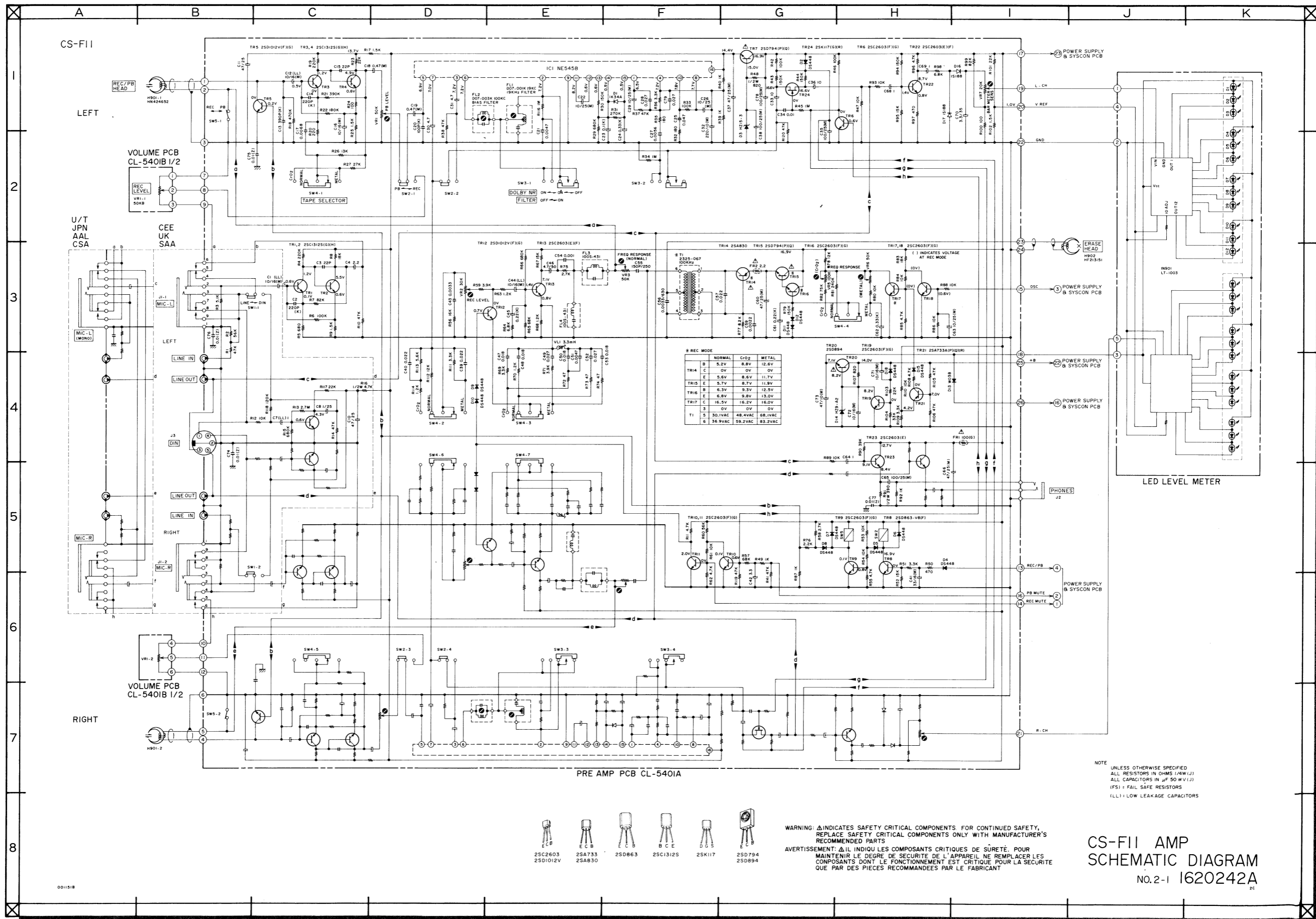


M53200P



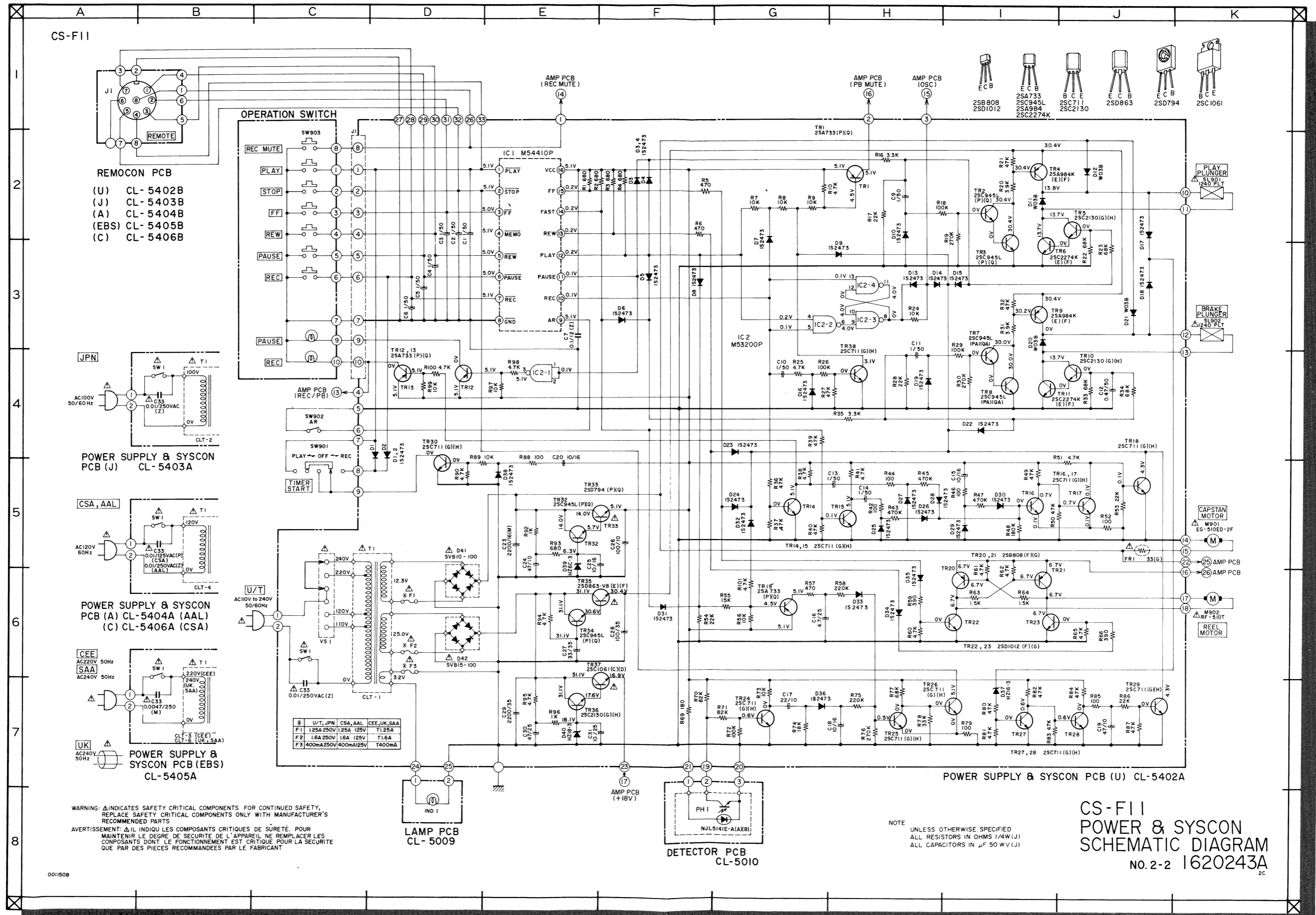
NE545B





NOTE
 UNLESS OTHERWISE SPECIFIED
 ALL RESISTORS IN OHMS (1/4W, 1/2W)
 ALL CAPACITORS IN μF (50V V.L.)
 (FS) = FAIL SAFE RESISTORS
 (LL) = LOW LEAKAGE CAPACITORS

CS-F11 AMP
 SCHEMATIC DIAGRAM
 NO.2-1 1620242A



REMOCON PCB
 (U) CL-5402B
 (J) CL-5403B
 (A) CL-5404B
 (EBS) CL-5405B
 (C) CL-5406B

JPN
 AC100V 50/60Hz
 POWER SUPPLY & SYSCON PCB (J) CL-5403A

CSA, AAL
 AC120V 60Hz
 POWER SUPPLY & SYSCON PCB (A) CL-5404A (AAL) (C) CL-5406A (CSA)

CEE, SAA, UK
 AC220V 50Hz
 AC240V 50Hz
 POWER SUPPLY & SYSCON PCB (EBS) CL-5405A

U/T	JPN	CSA, AAL	CEE, UK, SAA
F1	1.25A 250V	1.25A 125V	T1.25A
F2	1.6A 250V	1.6A 125V	T1.6A
F3	400mA 250V	400mA 125V	T400mA

WARNING: Δ INDICATES SAFETY CRITICAL COMPONENTS. FOR CONTINUED SAFETY, REPLACE SAFETY CRITICAL COMPONENTS ONLY WITH MANUFACTURER'S RECOMMENDED PARTS.
 AVERTISSEMENT: Δ IL INDIQUE LES COMPOSANTS CRITIQUES DE SÛRETÉ. POUR MAINTENIR LE DEGRÉ DE SÛRETÉ DE L'APPAREIL, NE REMPLACER LES COMPOSANTS DONT LE FONCTIONNEMENT EST CRITIQUE POUR LA SÛRETÉ QUE PAR DES PIÈCES RECOMMANDÉES PAR LE FABRICANT.

NOTE
 UNLESS OTHERWISE SPECIFIED
 ALL RESISTORS IN OHMS (Ω/W/J)
 ALL CAPACITORS IN μF 50 WV (J)

CS-F11
 POWER & SYSCON
 SCHEMATIC DIAGRAM
 NO. 2-2 1620243A