

NOTE:
 UNLESS OTHERWISE SPECIFIED
 ALL RESISTORS IN OHMS (1/6W/F)
 ALL CAPACITORS IN uF/50V (P-PF)
 ALL ELECTROLYTIC CAPACITORS IN uF/WV

**DPS24
 PC INPUT A, B
 SCHEMATIC DIAGRAM**

PC COMBO
 L3096A508A

PC PHONE
 L3096A5089

J308
 40FE-BT

J309
 40FE-BT

J310
 20FE-BT

J311
 20FE-BT

J101
 YKB26-5312

J102
 YKB26-5312

J103
 YKB26-5312

J104
 YKB26-5312

J105
 YKB26-5312

J106
 YKB26-5312

J107
 YKB26-5312

J108
 YKB26-5312

J109
 YKB26-5312

J110
 YKB26-5312

J111
 YKB26-5312

J112
 YKB26-5312

J113
 YKB26-5312

J114
 YKB26-5312

J115
 YKB26-5312

J116
 YKB26-5312

J117
 YKB26-5312

J118
 YKB26-5312

J119
 YKB26-5312

J120
 YKB26-5312

J121
 YKB26-5312

J122
 YKB26-5312

J123
 YKB26-5312

J124
 YKB26-5312

J125
 YKB26-5312

J126
 YKB26-5312

J127
 YKB26-5312

J128
 YKB26-5312

J129
 YKB26-5312

J130
 YKB26-5312

J131
 YKB26-5312

J132
 YKB26-5312

J133
 YKB26-5312

J134
 YKB26-5312

J135
 YKB26-5312

J136
 YKB26-5312

J137
 YKB26-5312

J138
 YKB26-5312

J139
 YKB26-5312

J140
 YKB26-5312

J141
 YKB26-5312

J142
 YKB26-5312

J143
 YKB26-5312

J144
 YKB26-5312

J145
 YKB26-5312

J146
 YKB26-5312

J147
 YKB26-5312

J148
 YKB26-5312

J149
 YKB26-5312

J150
 YKB26-5312

J151
 YKB26-5312

J152
 YKB26-5312

J153
 YKB26-5312

J154
 YKB26-5312

J155
 YKB26-5312

J156
 YKB26-5312

J157
 YKB26-5312

J158
 YKB26-5312

J159
 YKB26-5312

J160
 YKB26-5312

J161
 YKB26-5312

J162
 YKB26-5312

J163
 YKB26-5312

J164
 YKB26-5312

J165
 YKB26-5312

J166
 YKB26-5312

J167
 YKB26-5312

J168
 YKB26-5312

J169
 YKB26-5312

J170
 YKB26-5312

J171
 YKB26-5312

J172
 YKB26-5312

J173
 YKB26-5312

J174
 YKB26-5312

J175
 YKB26-5312

J176
 YKB26-5312

J177
 YKB26-5312

J178
 YKB26-5312

J179
 YKB26-5312

J180
 YKB26-5312

J181
 YKB26-5312

J182
 YKB26-5312

J183
 YKB26-5312

J184
 YKB26-5312

J185
 YKB26-5312

J186
 YKB26-5312

J187
 YKB26-5312

J188
 YKB26-5312

J189
 YKB26-5312

J190
 YKB26-5312

J191
 YKB26-5312

J192
 YKB26-5312

J193
 YKB26-5312

J194
 YKB26-5312

J195
 YKB26-5312

J196
 YKB26-5312

J197
 YKB26-5312

J198
 YKB26-5312

J199
 YKB26-5312

J200
 YKB26-5312

J201
 YKB26-5312

J202
 YKB26-5312

J203
 YKB26-5312

J204
 YKB26-5312

J205
 YKB26-5312

J206
 YKB26-5312

J207
 YKB26-5312

J208
 YKB26-5312

J209
 YKB26-5312

J210
 YKB26-5312

J211
 YKB26-5312

J212
 YKB26-5312

J213
 YKB26-5312

J214
 YKB26-5312

J215
 YKB26-5312

J216
 YKB26-5312

J217
 YKB26-5312

J218
 YKB26-5312

J219
 YKB26-5312

J220
 YKB26-5312

J221
 YKB26-5312

J222
 YKB26-5312

J223
 YKB26-5312

J224
 YKB26-5312

J225
 YKB26-5312

J226
 YKB26-5312

J227
 YKB26-5312

J228
 YKB26-5312

J229
 YKB26-5312

J230
 YKB26-5312

J231
 YKB26-5312

J232
 YKB26-5312

J233
 YKB26-5312

J234
 YKB26-5312

J235
 YKB26-5312

J236
 YKB26-5312

J237
 YKB26-5312

J238
 YKB26-5312

J239
 YKB26-5312

J240
 YKB26-5312

J241
 YKB26-5312

J242
 YKB26-5312

J243
 YKB26-5312

J244
 YKB26-5312

J245
 YKB26-5312

J246
 YKB26-5312

J247
 YKB26-5312

J248
 YKB26-5312

J249
 YKB26-5312

J250
 YKB26-5312

J251
 YKB26-5312

J252
 YKB26-5312

J253
 YKB26-5312

J254
 YKB26-5312

J255
 YKB26-5312

J256
 YKB26-5312

J257
 YKB26-5312

J258
 YKB26-5312

J259
 YKB26-5312

J260
 YKB26-5312

J261
 YKB26-5312

J262
 YKB26-5312

J263
 YKB26-5312

J264
 YKB26-5312

J265
 YKB26-5312

J266
 YKB26-5312

J267
 YKB26-5312

J268
 YKB26-5312

J269
 YKB26-5312

J270
 YKB26-5312

J271
 YKB26-5312

J272
 YKB26-5312

J273
 YKB26-5312

J274
 YKB26-5312

J275
 YKB26-5312

J276
 YKB26-5312

J277
 YKB26-5312

J278
 YKB26-5312

J279
 YKB26-5312

J280
 YKB26-5312

J281
 YKB26-5312

J282
 YKB26-5312

J283
 YKB26-5312

J284
 YKB26-5312

J285
 YKB26-5312

J286
 YKB26-5312

J287
 YKB26-5312

J288
 YKB26-5312

J289
 YKB26-5312

J290
 YKB26-5312

J291
 YKB26-5312

J292
 YKB26-5312

J293
 YKB26-5312

J294
 YKB26-5312

J295
 YKB26-5312

J296
 YKB26-5312

J297
 YKB26-5312

J298
 YKB26-5312

J299
 YKB26-5312

J300
 YKB26-5312

J301
 YKB26-5312

J302
 YKB26-5312

J303
 YKB26-5312

J304
 YKB26-5312

J305
 YKB26-5312

J306
 YKB26-5312

J307
 YKB26-5312

J308
 YKB26-5312

J309
 YKB26-5312

J310
 YKB26-5312

J311
 YKB26-5312

J312
 YKB26-5312

J313
 YKB26-5312

J314
 YKB26-5312

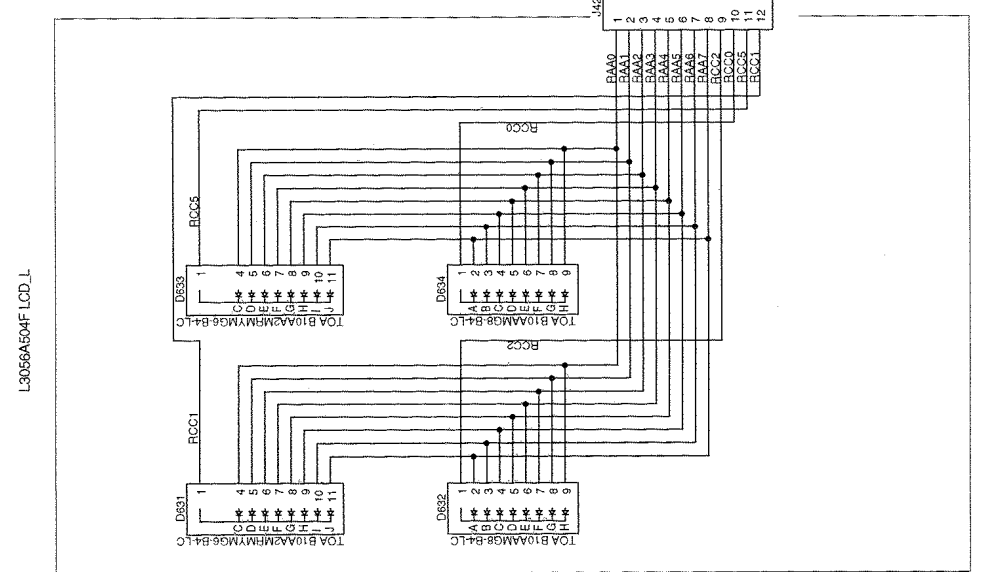
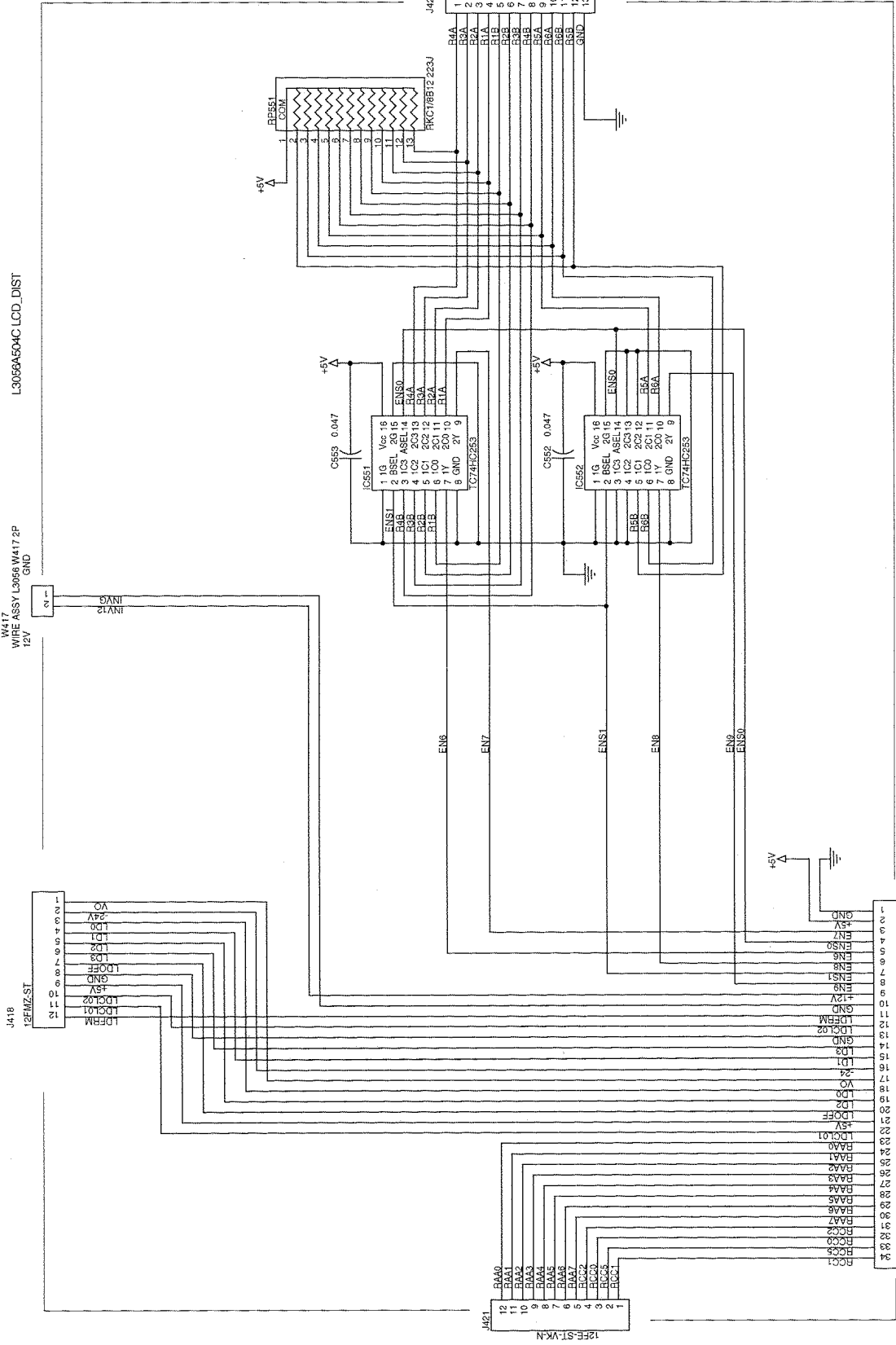
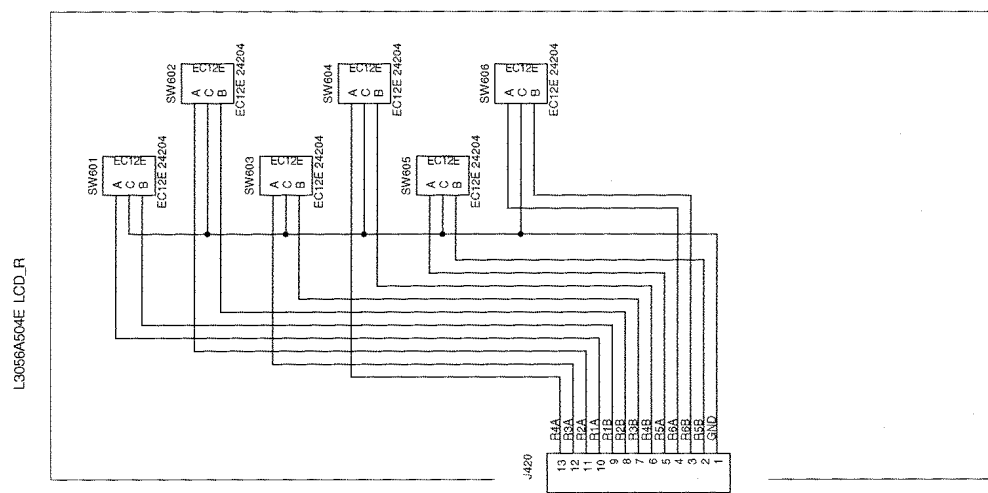
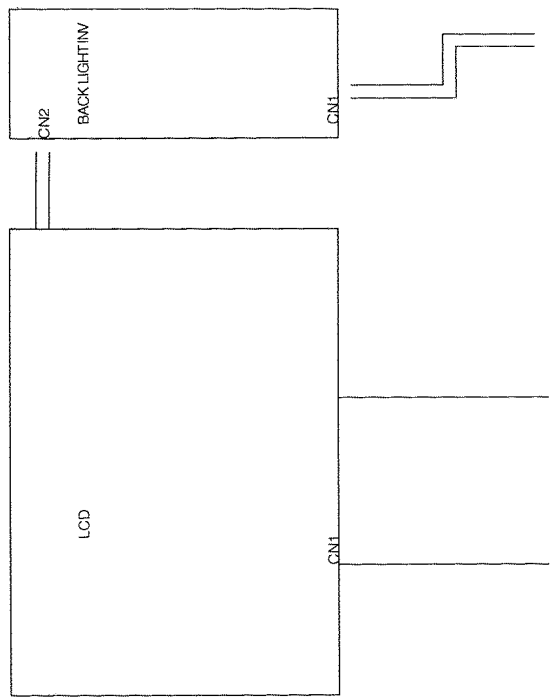
J315
 YKB26-5312

J316
 YKB26-5312

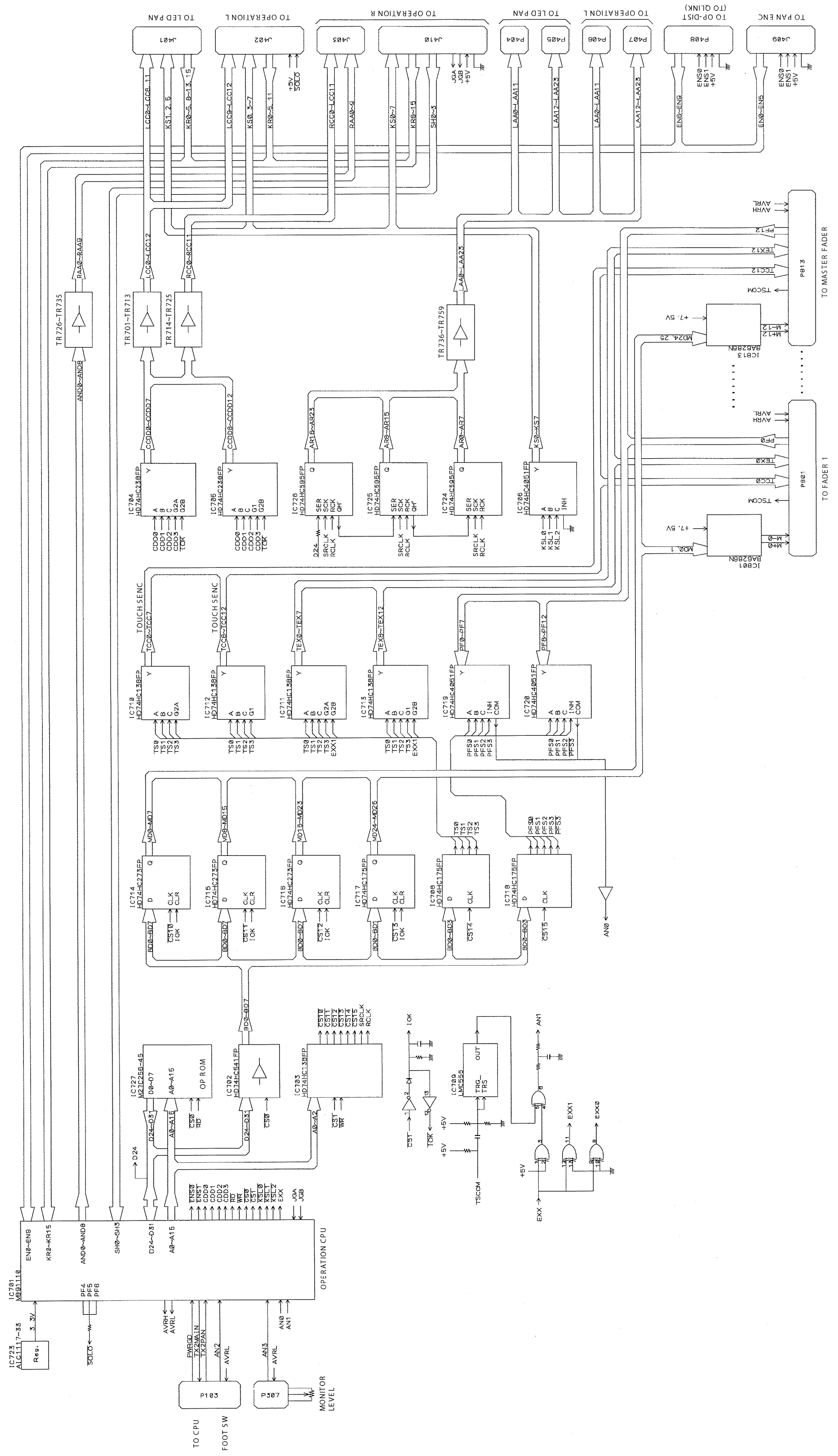
J317
 YKB26-5312

J318
 YKB26-5312

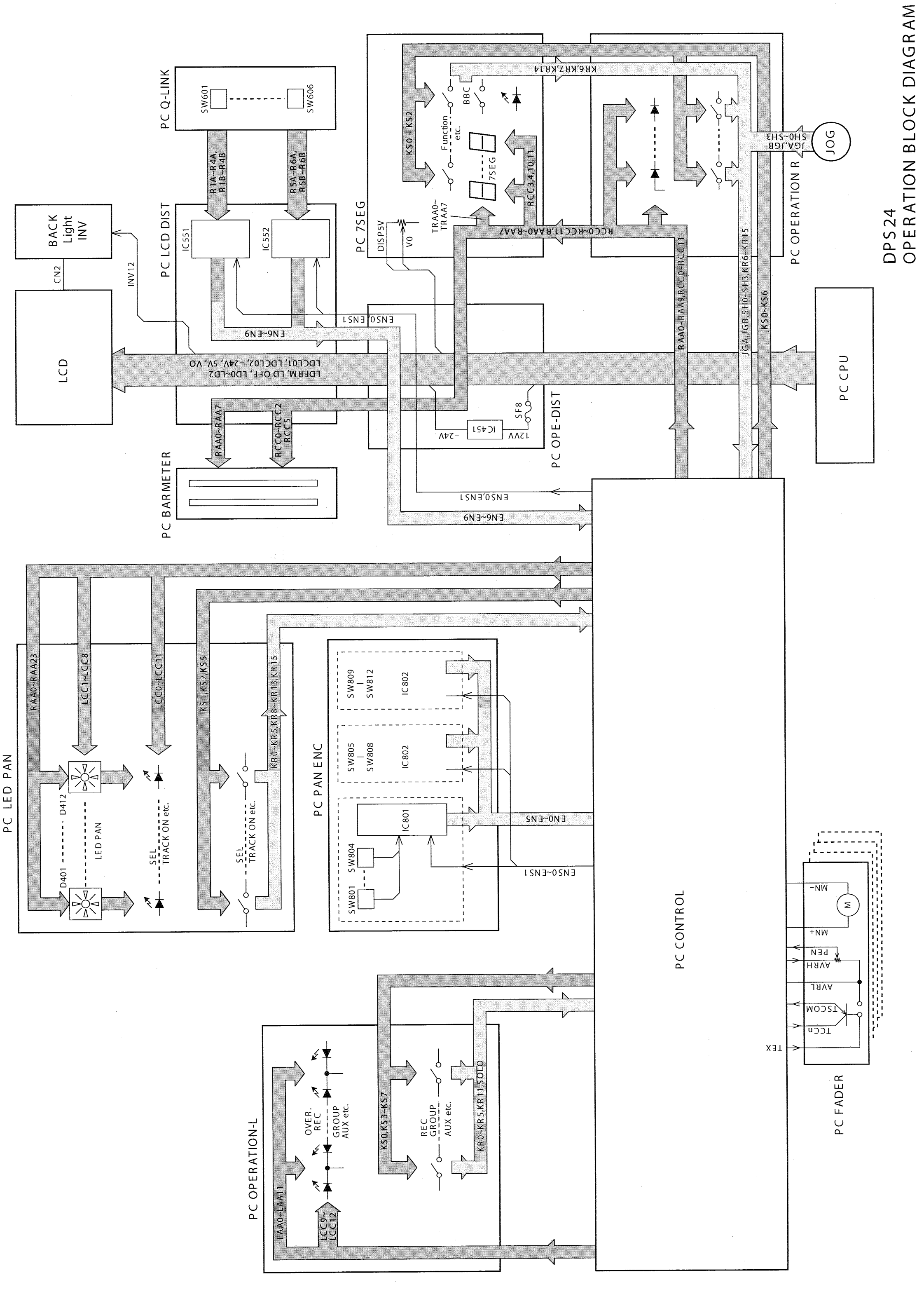
J319
 YKB



DPS24
PC LCD-DIST, Q-LINK
SCHEMATIC DIAGRAM

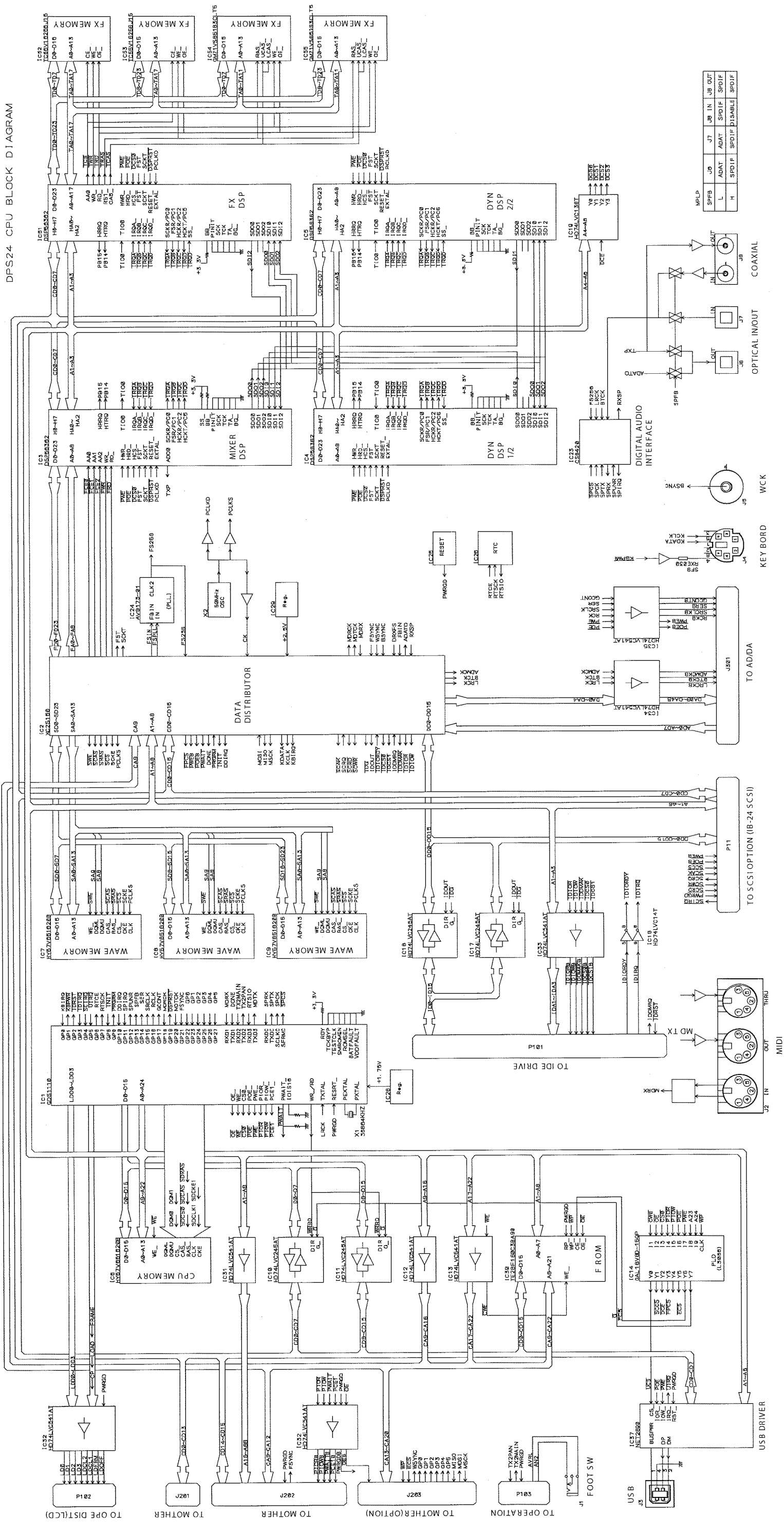


DPS24
CONTROL BLOCK DIAGRAM



DPS24
OPERATION BLOCK DIAGRAM

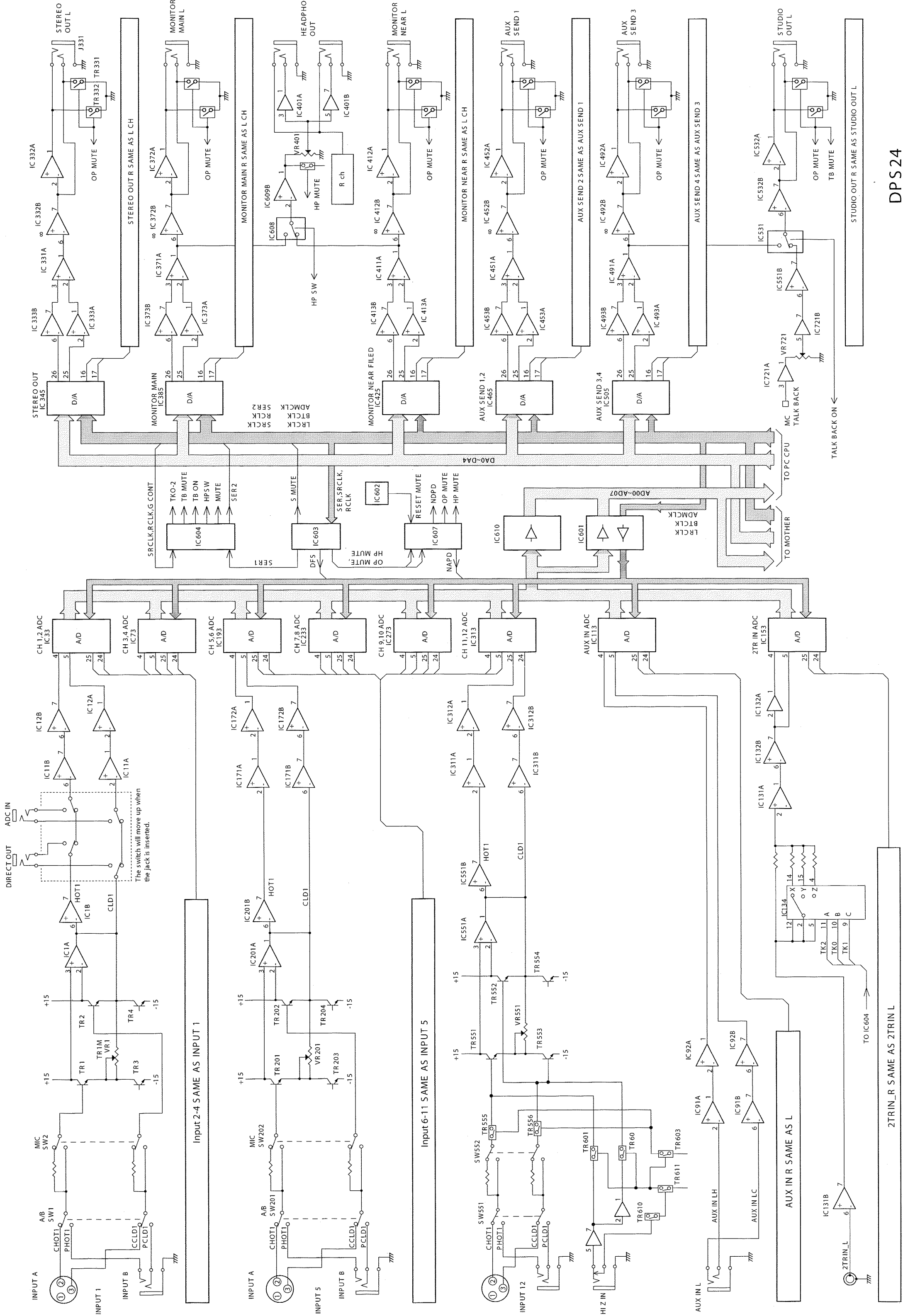
DPS24 CPU BLOCK DIAGRAM

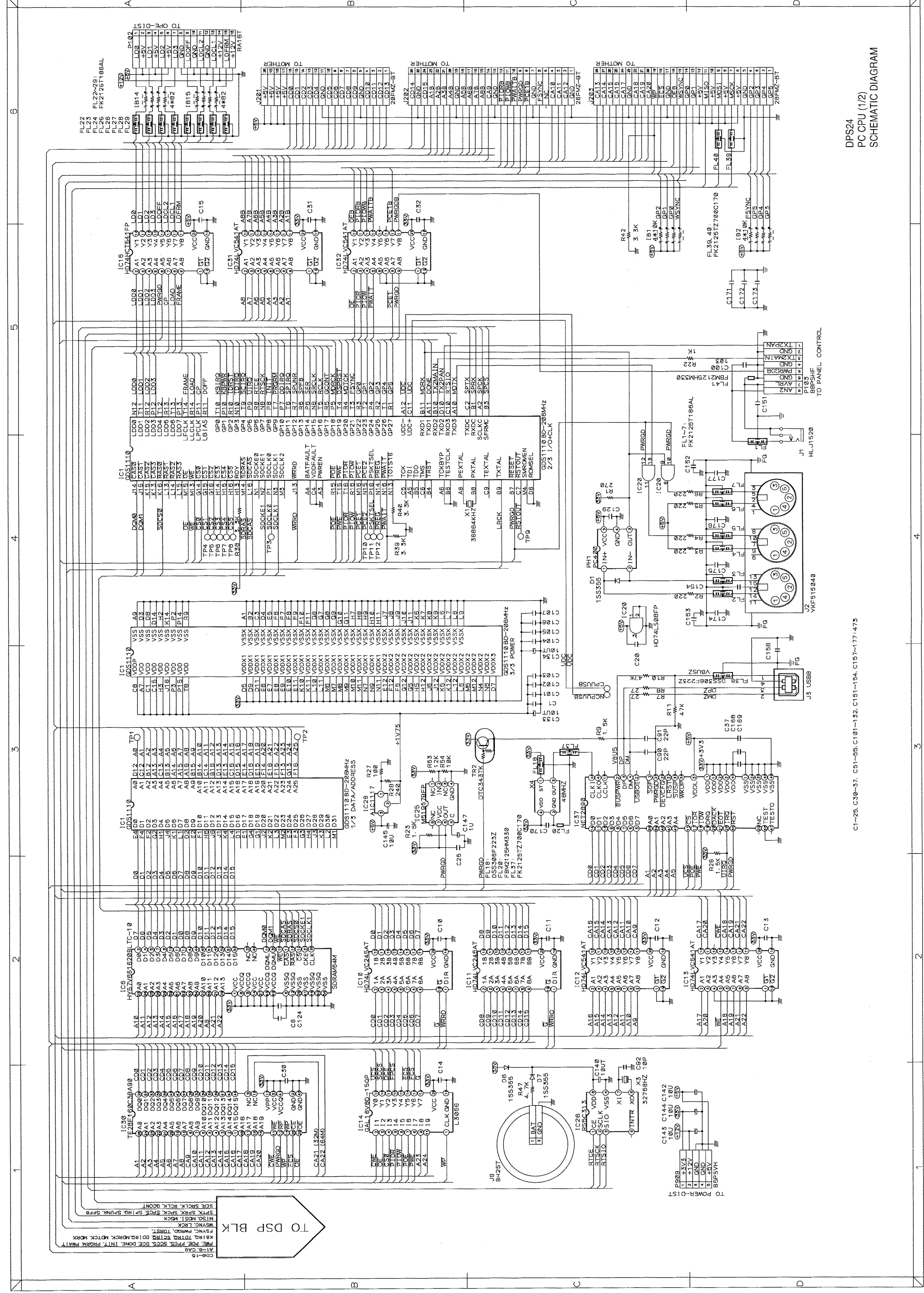


SPFB	J0	J7	J8	J9	J10	J11	J12
L	ADAT	ADAT	SPDIF	SPDIF	SPDIF	SPDIF	SPDIF
H	SPDIF	SPDIF	DISABLE	SPDIF	SPDIF	SPDIF	SPDIF

WCK	J5
KEY BOARD	J4
TO ADDA	J3
TO SC51 OPTION (IB-24 SC51)	P11
MIDI	J2
THRU	J1
USB DRIVER	J5
TO OPERATION	P103
TO MOTHER (OPTION)	J203
TO MOTHER	J202
TO MOTHER	J201
TO PE DIST (CD)	P102

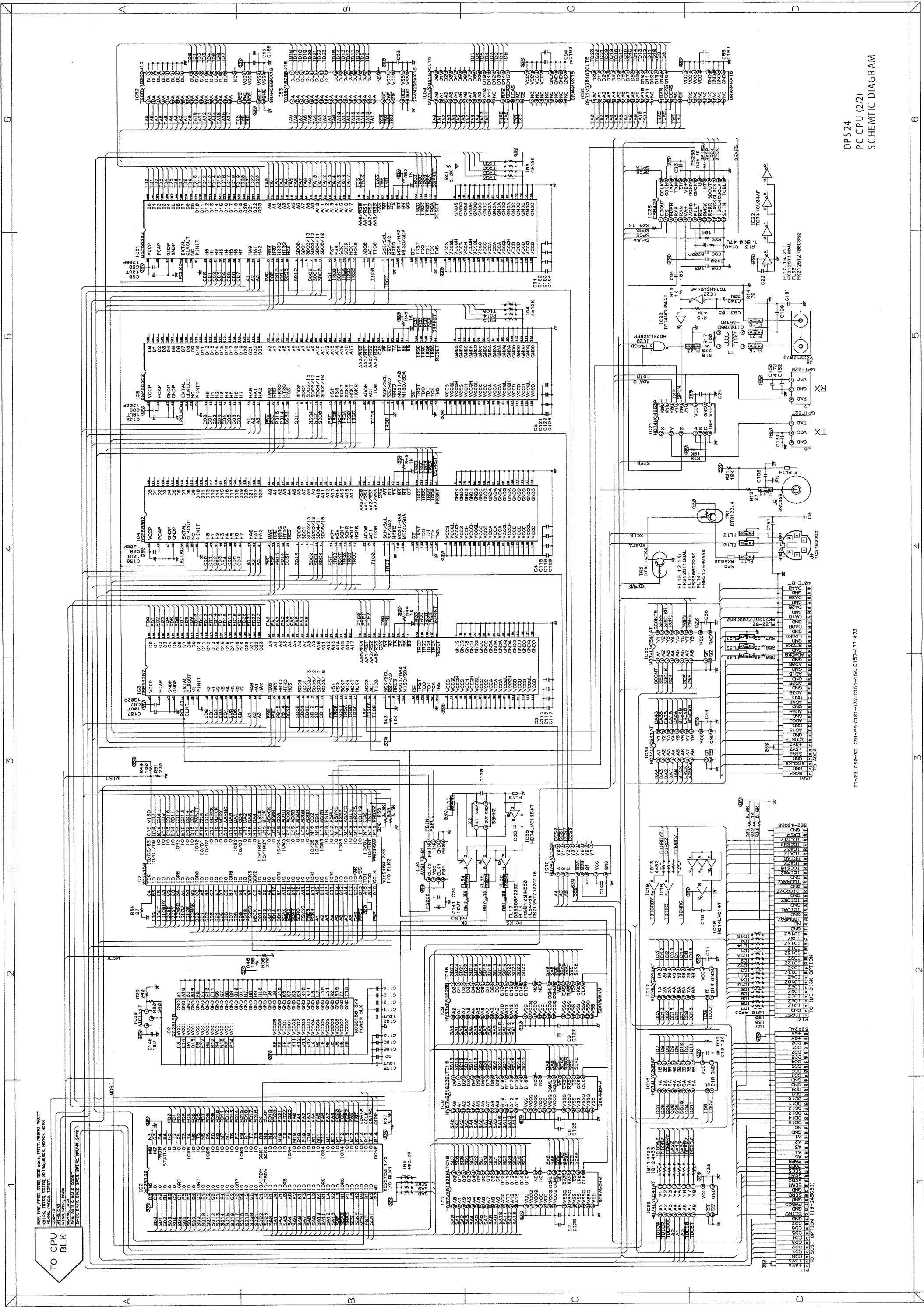
IC1	AD11118
IC2	AD11118
IC3	AD11118
IC4	AD11118
IC5	AD11118
IC6	AD11118
IC7	AD11118
IC8	AD11118
IC9	AD11118
IC10	AD11118
IC11	AD11118
IC12	AD11118
IC13	AD11118
IC14	AD11118
IC15	AD11118
IC16	AD11118
IC17	AD11118
IC18	AD11118
IC19	AD11118





DPS24
PC CPU (1/2)
SCHEMATIC DIAGRAM

C1~25, C30~37, C51~55, C101~132, C151~154, C157~177, 475

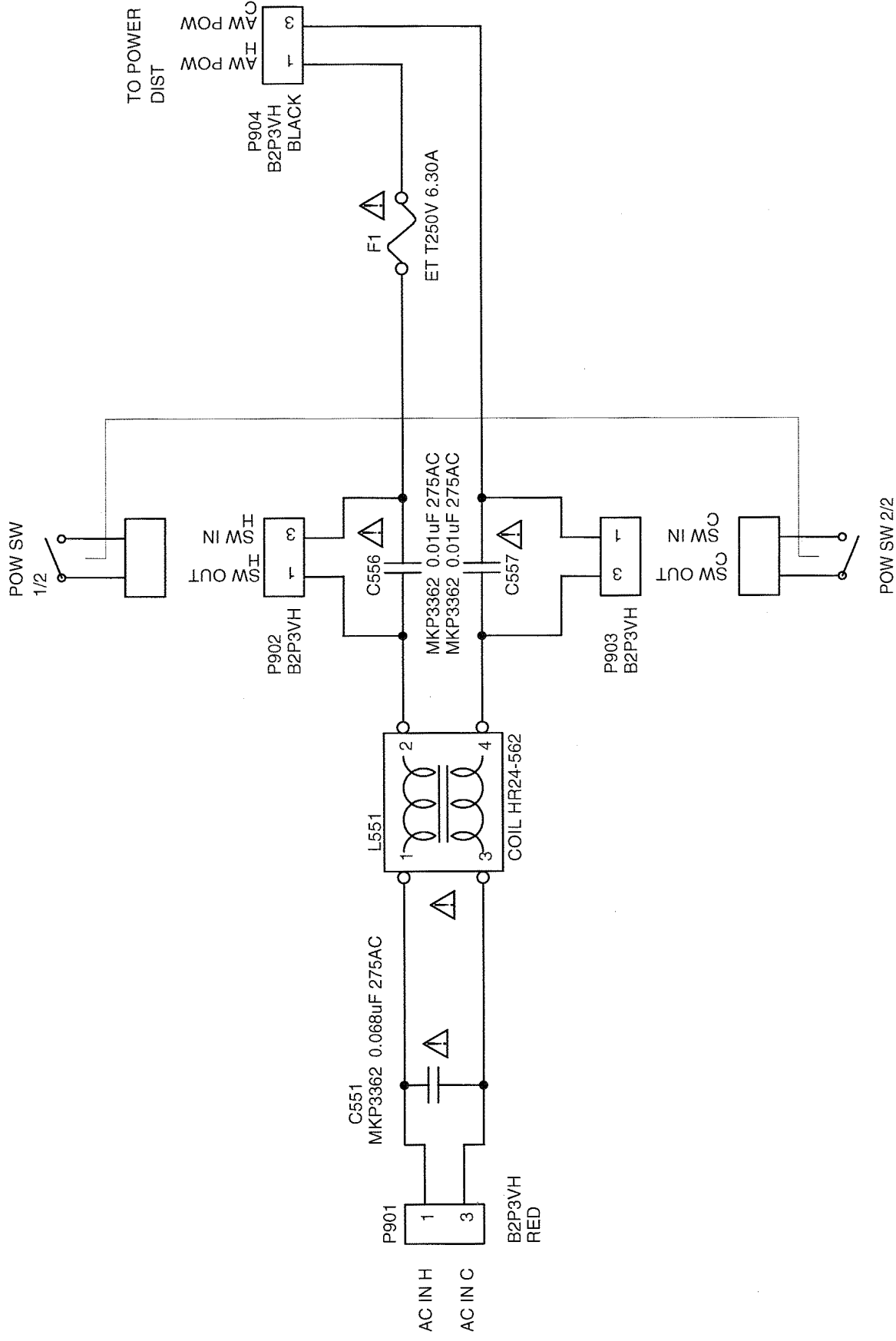


DPS 24
PC CPU (2/2)
SCHEMATIC DIAGRAM

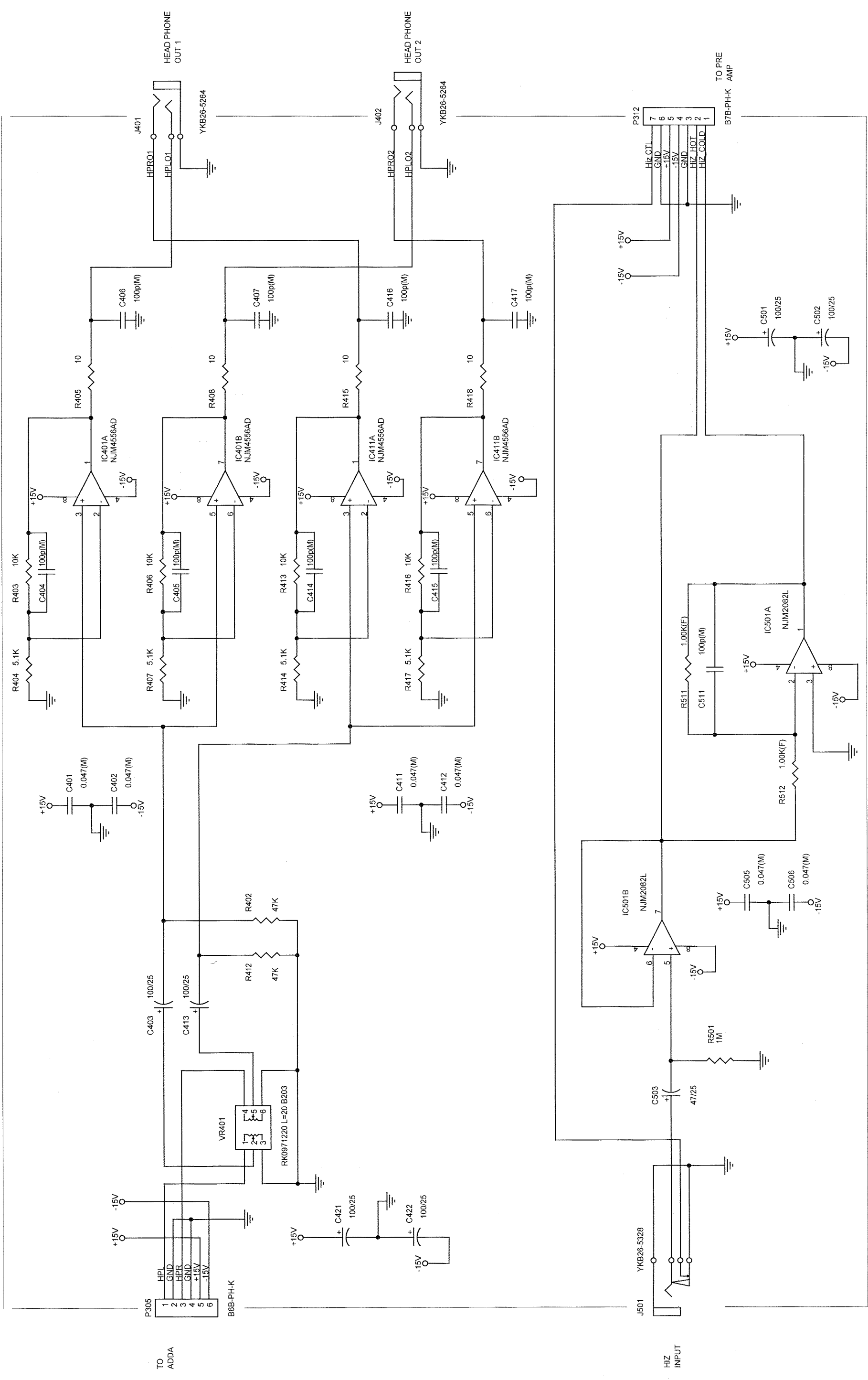
C1-25, C39-37, C51-55, C101-132, C151-177, C173

TO CPU BLK

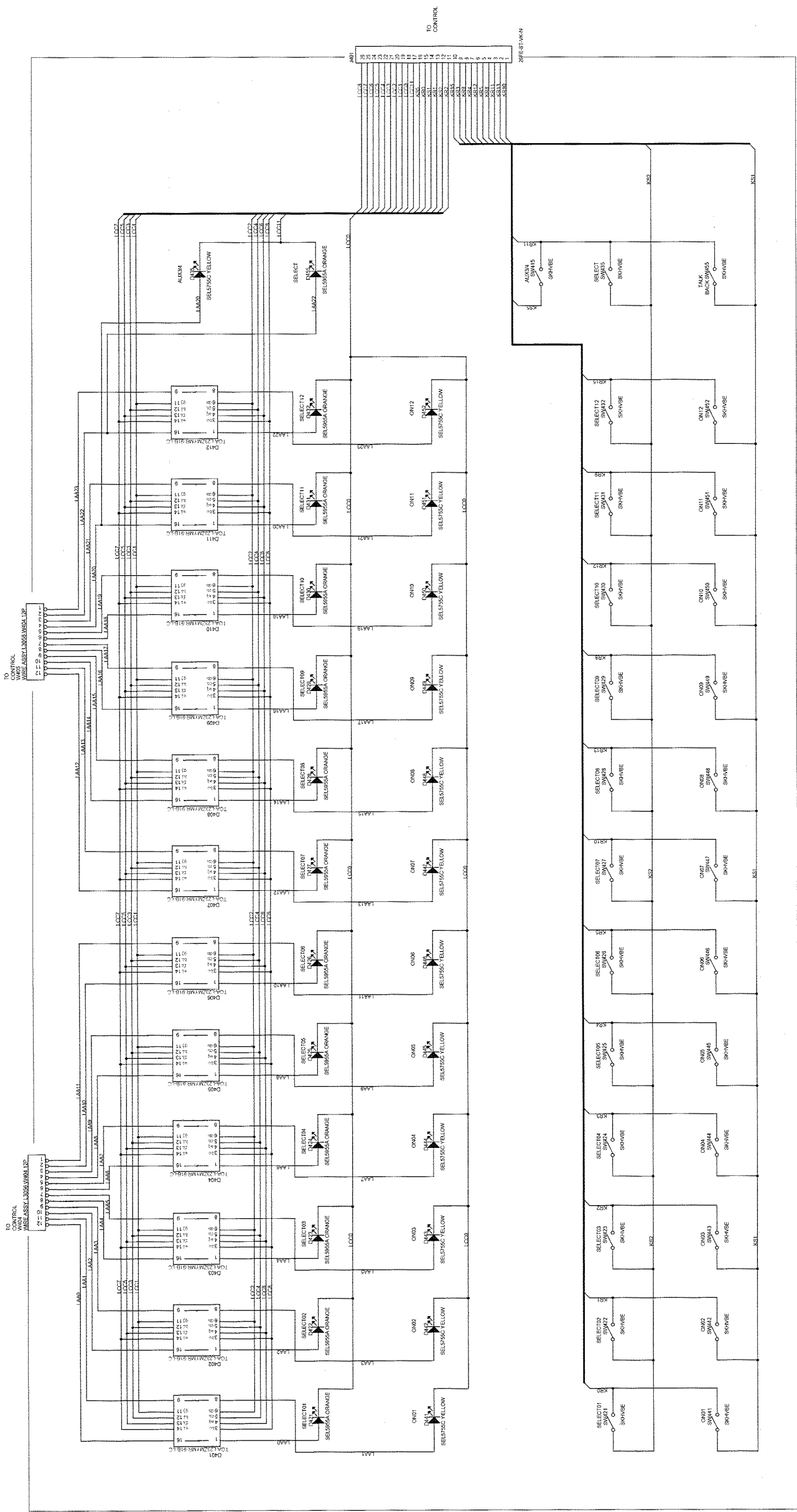
TO SCSI OPTION (18-245G51)



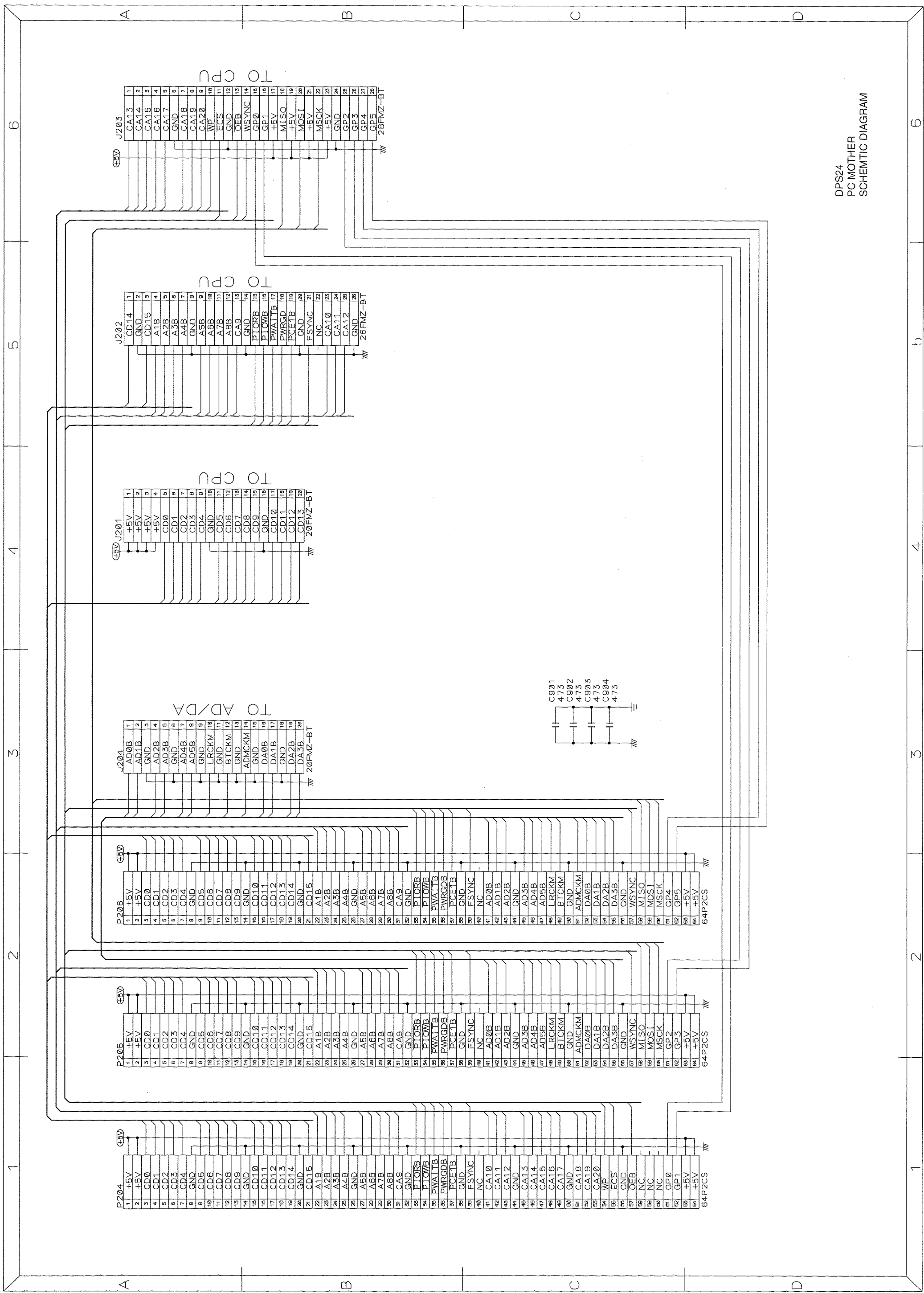
DPS24
PC FILTER
SCHEMATIC DIAGRAM



DPS24
PC HP-HIZ
SCHEMATIC DIAGRAM



DPS24
PC LED PAN
SCHEMATIC DIAGRAM



DPS24
PC MOTHER
SCHEMATIC DIAGRAM

DPS24
PC OPERATION R, JOG
SCHEMATIC DIAGRAM

