

SERVICE MANUAL

PARTS LIST

AKAI STEREO TAPE RECORDER

MODEL **GX-1820**

ALSO APPLICABLE TO MODEL GX-1820D



STEREO TAPE RECORDER

MODEL GX-1820

**ALSO APPLICABLE TO MODEL GX-1820D
STEREO TAPE DECK**

SECTION 1	SERVICE MANUAL	3
SECTION 2	PARTS LIST	35
SECTION 3	SCHEMATIC DIAGRAM	71

SECTION 1

SERVICE MANUAL

TABLE OF CONTENTS

I.	SPECIFICATIONS	4
II.	MEASURING METHOD	6
	1. TAPE SPEED DEVIATION	6
	2. WOW AND FLUTTER	6
	3. FREQUENCY RESPONSE	6
	4. SIGNAL TO NOISE RATIO	6
	5. TOTAL HARMONIC DISTORTION	7
	6. CROSS TALK	7
	7. ERASE RATIO	7
	8. POWER OUTPUT	7
III.	DISMANTLING OF UNIT	8
IV.	TRANSPORT MECHANISM	10
	1. FORWARD PLAYBACK/RECORDING MODE	11
	2. FAST FORWARD/REWIND MODE	11
	3. MOTOR OPERATION BLOCK DIAGRAM	11
	4. SYSTEM CONTROL BLOCK DIAGRAM	13
V.	MECHANISM ADJUSTMENTS	16
	1. REEL TABLE HEIGHT ADJUSTMENT	17
	2. PINCH WHEEL PRESSURE MEASURING METHOD	17
	3. BRAKE TENSION ADJUSTMENT	18
	4. SUPPLY VOLTAGE AND TENSION AT VARIOUS OPERATING MODES	18
	5. SHUT-OFF SWITCH LEVER POSITION ADJUSTMENT	18
	6. FLYWHEEL LOOSE PLAY ADJUSTMENT	19
	7. FLYWHEEL BELT POSITION ADJUSTMENT	19
VI.	OPEN REEL HEAD ADJUSTMENTS	20
	1. HEAD HEIGHT ADJUSTMENT	20
	2. REC/P.B. HEAD AZIMUTH ALIGNMENT ADJUSTMENT	20
VII.	CARTRIDGE HEAD ADJUSTMENTS	21
	1. HEAD ANGLE ADJUSTMENT	21
	2. HEAD HEIGHT AND CROSS TALK ADJUSTMENT	21
	3. CONFIRMATION OF HEAD HEIGHT	21
VIII.	AMP. SYSTEM ADJUSTMENTS	22
	1. PLAYBACK LEVEL ADJUSTMENT	22
	2. OPEN REEL HIGH FREQUENCY DEVIATION CHECK	23
	3. CARTRIDGE PLAYBACK LEVEL CHECK	23
	4. CARTRIDGE HIGH FREQUENCY DEVIATION CHECK	23
	5. OPEN REEL RECORDING LEVEL ADJUSTMENT	23
	6. RECORDING BIAS ADJUSTMENT	23
	7. CARTRIDGE RECORDING LEVEL ADJUSTMENT	23
	8. RECORDING BIAS FREQUENCY MEASURING METHOD	24
	9. POWER AMP. IDLING CURRENT ADJUSTMENT	24
IX.	D.C. RESISTANCE OF EACH COIL	25
X.	COMPOSITE VIEWS OF COMPONENTS	26

I. SPECIFICATIONS

An asterisk next to a figure indicates the minimum guaranteed performance.

TRACK SYSTEM	Open Reel	4-track 2-channel stereo
	Cartridge	8-track 2-channel stereo
TAPE SPEED	Open Reel	7-1/2, 3-3/4 ips±0.8%
	Cartridge	3-3/4 ips±2%
WOW AND FLUTTER	Open Reel	Less than 0.08% (*0.12%) R.M.S. at 7-1/2 ips Less than 0.12% (*0.25%) R.M.S. at 3-3/4 ips
	Cartridge	Less than 0.20% (*0.35%) R.M.S.
FREQUENCY RESPONSE	Open Reel	30 to 24,000 Hz (*30 to 22,000 Hz) ±3 dB at 7-1/2 ips, using SRT tape 30 to 22,000 Hz (*30 to 20,000 Hz) ±3 dB at 7-1/2 ips, using regular tape 30 to 22,000 Hz (*30 to 18,000 Hz) ±3 dB at 3-3/4 ips, using SRT tape 30 to 18,000 Hz (*30 to 16,000 Hz) ±3 dB at 3-3/4 ips, using regular tape
	Cartridge	50 to 16,000 Hz±3 dB
DISTORTION		Less than 1.5% *Less than 3% 1 kHz O VU recording, 4 dB line output *Less than 4% 1 kHz O VU recording, 3W speaker output at 8 Ω *Less than 6% 1 kHz O VU recording, 2 dB line output
OUTPUT	Speaker Output	5W x 2 at 8 Ω (GX-1820 only)
	Line Output	4 ± 1.5 dB at VR max.
	Din Output	4 ± 1.5 dB at VR max.
INPUT	Mic Input	0.5 mV
	Line Input	80 mV
	Din Input	40 mV
RECORDING PLAYBACK LEVEL	Open Reel	4 ± 2 dB
	Cartridge	2 ± 2 dB
SIGNAL TO NOISE RATIO	Open Reel	Better than 50 dB *Better than 47 dB at 7-1/2 ips *Better than 46 dB at 3-3/4 ips *Better than 44 dB at Reverse mode
	Cartridge	Better than 47 dB *Better than 41 dB
CROSS TALK	Open Reel	Better than 43 dB (*40 dB) Stereo Better than 70 dB (*60 dB) Monaural
	Cartridge	Better than 40 dB
ERASE RATIO	Open Reel	Better than 70 dB
	Cartridge	Better than 65 dB
RECORDING BIAS FREQUENCY		62.5 ± 5 kHz
BIAS LEAK		Less than -20 VU
HIGH FREQUENCY DEVIATION		
Between Channels		±2 dB
Between FWD/REV		±3 dB
REVERSING TIME		2 to 4 seconds
HUM AND NOISE		Less than 10 mV at VR min.
RECORDING CAPACITY	Open Reel	60 min. stereo recording, using a 1,200 ft. tape at 7-1/2 ips
	Cartridge	60 min. stereo recording, using a 300 ft. cartridge tape
F. FWD AND RWD TIME		80/65 sec., using a 1,200 ft. tape at 50/60 Hz
MOTORS	Capstan Motor	2 speed hysteresis, synchronous motor Type: HM2-16MC (winterized) 4-8 pole Revolutions: 1,500/1,800 r.p.m. at 50/60 Hz 750/900 r.p.m. at 50/60 Hz
	Reel Motor	Two 6-pole eddy current outer rotor motors Type: 24XO-MR Revolutions: 930/1,120 r.p.m. at 50/60 Hz

HEADS	Open Reel Erase Head	Type: E4-260 Gap: W gap Impedance: 210 Ω \pm 10% at 100 kHz D.C. Resistance: 4 Ω
	Open Reel Recording/Playback Head	Type: P4-201 Gap: 1 micron Impedance: 1.1 k Ω at 1 kHz D.C. Resistance: 240 Ω
	Cartridge Erase Head	Type: E8-1 Gap: 0.1mm Impedance: 210 Ω \pm 7% at 90 kHz D.C. Resistance: 4.5 Ω
	Cartridge Recording/Playback Head	Type: P8-1 Gap: 2 microns Impedance: 750 Ω \pm 15% at 1 kHz D.C. Resistance: 110 Ω
TRANSISTORS	2SC458LG (B) . . . 10 2SC711 (E)(F) . . . 8 2SC971 (2)(3) red . . . 2 Power Amp. Section (GX-1820 only) 2SC458 (C) . . . 2 2SC968 (3)(4) . . . 2	2SC1061 (B)(C) . . . 1 2SC1098 (L)(M) . . . 1 2SC1060 (B)(C) . . . 4
DIODES	1N34A . . . 5 (GX-1820) 1N34A . . . 3 (GX-1820D) 10D05 . . . 3 10D1 . . . 2	10D4 . . . 1 10DC-1 (blk) . . . 1 WG-599 . . . 9
ZENER DIODES	WZ240 . . . 1	RD9A . . . 2
THERMISTERS	19D46 . . . 2 (GX-1820 only)	
POWER SUPPLY	100 to 240V A.C. 50/60 Hz	
POWER CONSUMPTION	110W (GX-1820) 95W (GX-1820D)	
INSULATION RESISTANCE	More than 50 M Ω	
DIMENSIONS	435 (W) x 450 (H) x 240 (D) mm (17.4" x 18" x 9.6")	
WEIGHT	21.4 kg (47 lbs.) GX-1820 20.5 kg (45 lbs.) GX-1820D	

NOTE: Specifications subject to change without notice.

II. MEASURING METHOD

1. TAPE SPEED DEVIATION

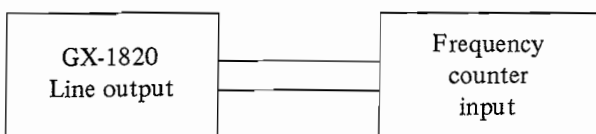


Fig. 1

As shown in Fig. 1, connect a Frequency Counter to the Line Output of Model GX-1820. Playback a 1,000 Hz pre-recorded test tape. Take a Frequency Counter reading at the beginning, middle, and end of tape winding during playback. The maximum value of these respective readings will represent tape speed deviation.

2. WOW AND FLUTTER

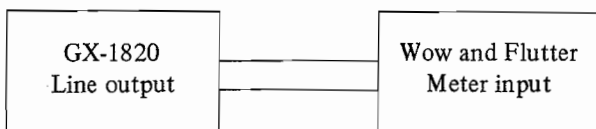


Fig. 2

Method A

As shown in Fig. 2, connect the Line Output of Model GX-1820 to the Input of a Wow and Flutter Meter. Playback a 3,000 Hz pre-recorded test tape and take a Wow and Flutter Meter reading at the beginning, middle, and end of tape winding. The maximum value of these respective readings will represent the Wow and Flutter.

Method B

Supply a 3,000 Hz sine wave signal from an Audio Frequency Oscillator and make a recording on a blank tape at the beginning, middle, and end of tape winding. Rewind and playback the resultant signal. Measure Wow and Flutter with a Wow and Flutter Meter. (The Wow and Flutter value of Method B will be close to twice that of Method A.)

3. FREQUENCY RESPONSE

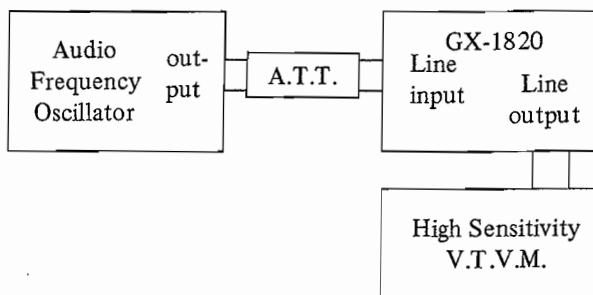


Fig. 3

For measuring Frequency Response, connect instruments as shown in Fig. 3 and proceed as follows:

- 1) Supply a 1,000 Hz sine wave signal to the Line Input of Model GX-1820 from an Audio Frequency Oscillator through an Attenuator.
- 2) Set recorder to recording mode and turn recording level control volume and line output level control volume to maximum. Adjust attenuator to obtain a +4 dB V.T.V.M. reading.
- 3) Under conditions described in 2) above, readjust attenuator so that the Line Output is -16 dB, and record 30 to 20,000 Hz spot frequencies.
- 4) Rewind tape and playback from the beginning. Take V.T.V.M. spot frequency readings and plot values on a graph.

NOTE: When measuring Frequency Response, new tape should be used.

4. SIGNAL TO NOISE RATIO

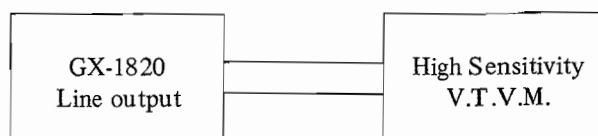


Fig. 4

As shown in Fig. 4, connect a High Sensitivity V.T.V.M. to the Line output of Model GX-1820. Playback a 250 Hz "0" VU pre-recorded test tape and measure the output. Then remove the tape and measure the noise level under the same condition. Convert each of the measured values into decibels.

5. TOTAL HARMONIC DISTORTION

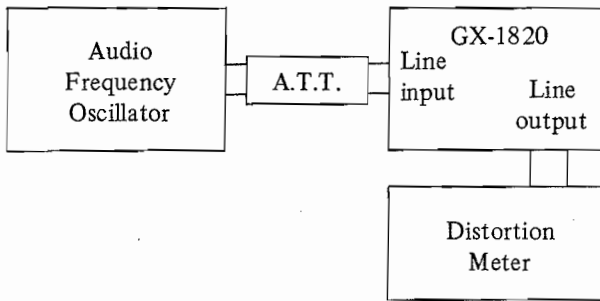


Fig. 5

Connect the measuring instruments as shown in Fig. 5 and record a 1,000 Hz sine wave signal at "0" VU. Playback the resultant signal and measure the overall distortion factor. Measure the noise level of the tape recorder without the tape. Connect the Audio Frequency Oscillator directly to the distortion meter for measurement of the distortion factor of the oscillator. The required distortion factor can be obtained from the results of the above measurement by the following formula:

$$d_0 = d - d_1 - d_2$$

where, d_0 = Required distortion factor
 d = Overall distortion factor
 d_1 = Noise level
 d_2 = Distortion factor of the oscillator

NOTE: When measuring the distortion factor, new tape should be used.

6. CROSS TALK (Cross talk between the tracks)

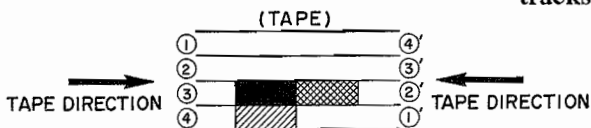


Fig. 6

As shown in Fig. 6, first record a 1,000 Hz sine wave signal on Track No. 3 at +3 VU level. Next, record under a non-input condition. Then, playback the tape on Tracks No. 3 and 1 (reversed condition of tape) through the B.P.F. (band pass filter sensitivity ... 1:1) and obtain a ratio between the two from the following formula:

$$C = 20 \log \frac{E_0}{E_2 - E_1} \text{ (dB)}$$

where, C = Desired cross talk ratio (dB)
 E_0 = 1,000 Hz signal output level
 E_2 = 1,000 Hz cross talk level
 E_1 = Non-input signal recorded level

Fig. 7

7. ERASE RATIO

As shown in Fig. 3, connect a High Sensitivity V.T.V.M. to the Line Output of Model GX-1820. Playback a virgin tape and take a V.T.V.M. reading of the output level. Next, record a 1,000 Hz sine wave signal at +3 VU, then playback this recorded signal and take a V.T.V.M. reading of the output level. Next, using this pre-recorded tape, record under a non-input condition and take a reading of the noise output level of the erased signal and obtain a ratio between the two from the following formula:

$$E_r = 20 \log \frac{E_0}{E_2 - E_1} \text{ (dB)}$$

where, E_r = Desired erase ratio (dB)
 E_0 = 1,000 Hz signal output level
 E_2 = Non-input signal recorded level
 E_1 = Virgin tape noise output level

8. POWER OUTPUT (GX-1820 only)

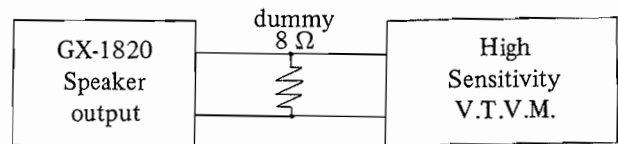


Fig. 8

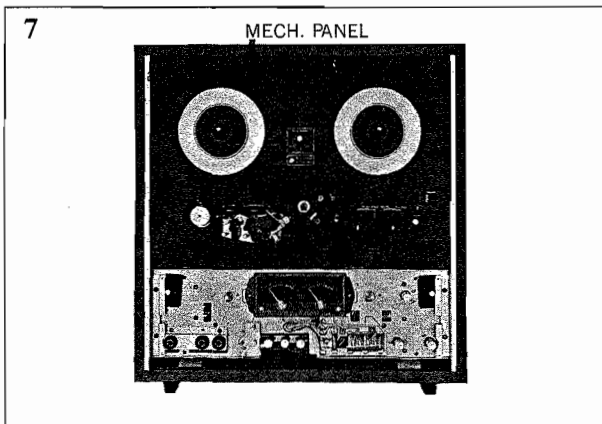
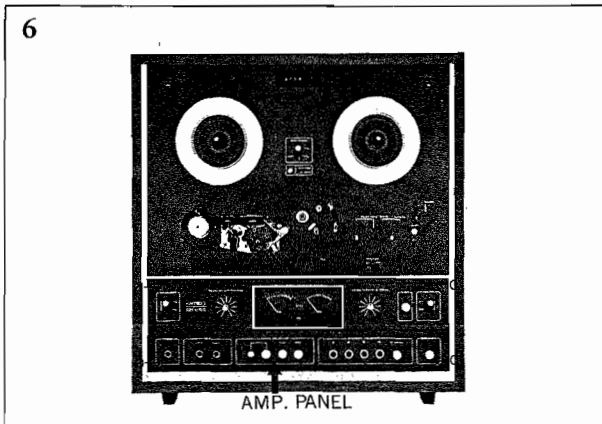
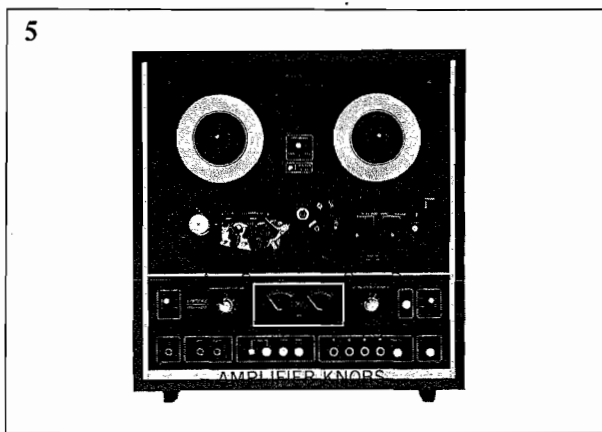
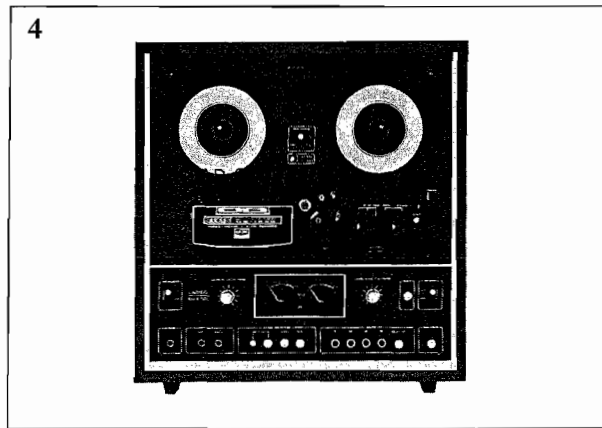
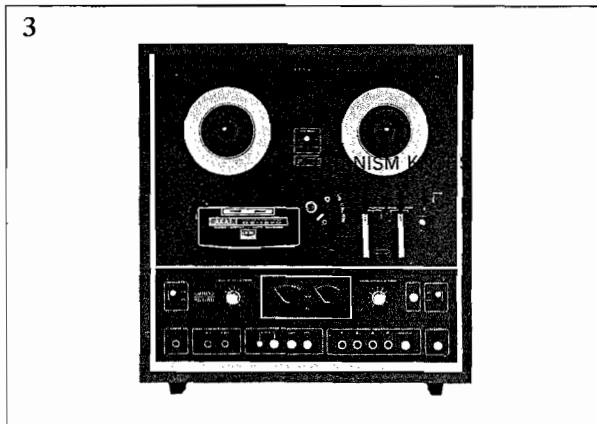
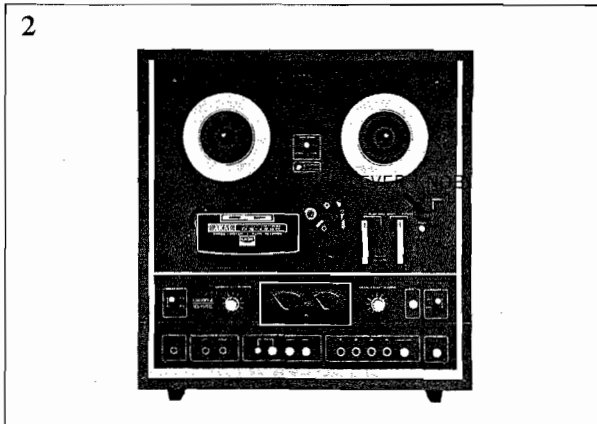
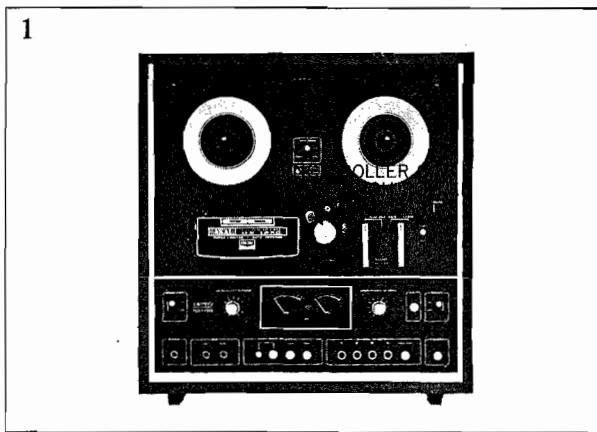
As shown in Fig. 8, connect an 8Ω dummy load resistor to the speaker output and connect this terminal to a High Sensitivity V.T.V.M. Playback a 250 Hz "0" VU pre-recorded test tape and take a V.T.V.M. reading of the output level. The resultant output can be obtained from the above measurement by using the following formula:

$$P = \frac{E^2}{R} \text{ (W)}$$

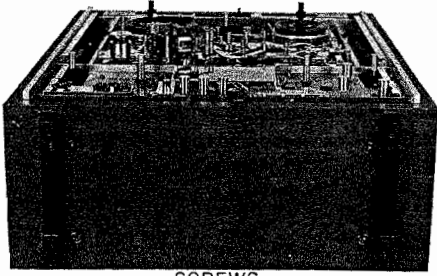
where, P = Desired power output (watts)
 E = Measured voltage (R.M.S.)
 R = 8 Ω

III. DISMANTLING OF UNIT

In case of trouble, etc. necessitating disassembly, please disassemble in the order shown in photographs. Re-assemble in reverse order.

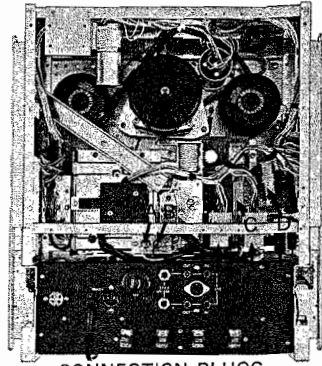


8



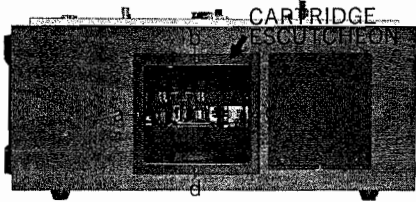
SCREWS

12



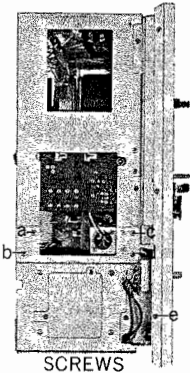
CONNECTION PLUGS

9



CARTRIDGE
CAUTION

13



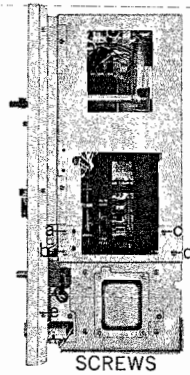
SCREWS

10



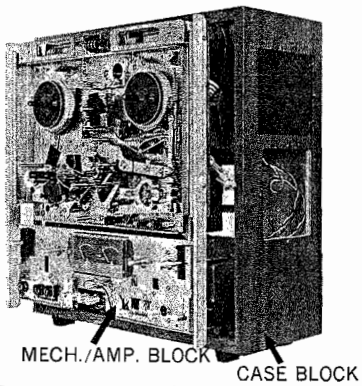
SCREWS

14



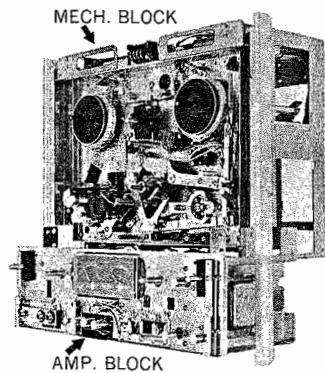
SCREWS

11



MECH./AMP. BLOCK CASE BLOCK

15



MECH. BLOCK

AMP. BLOCK

IV. TRANSPORT MECHANISM

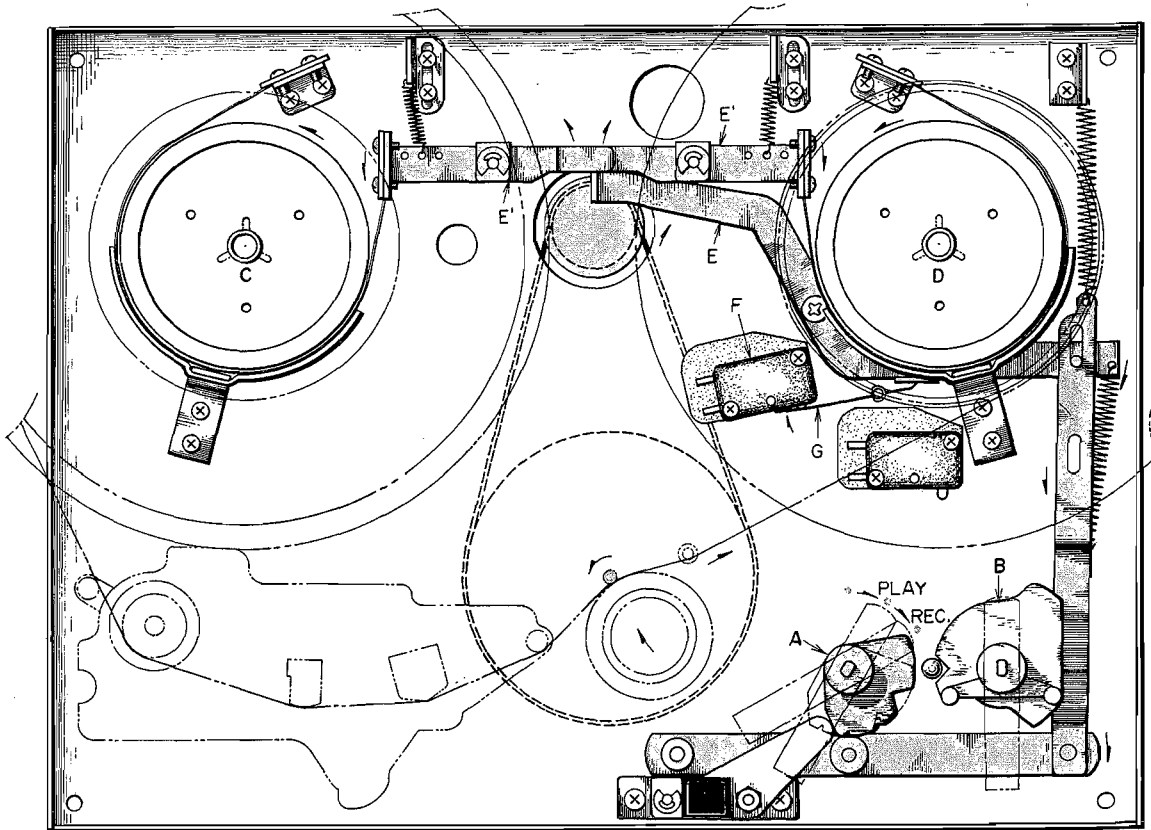


Fig. 9 FWD P.B./RECORDING REVERSE MODE

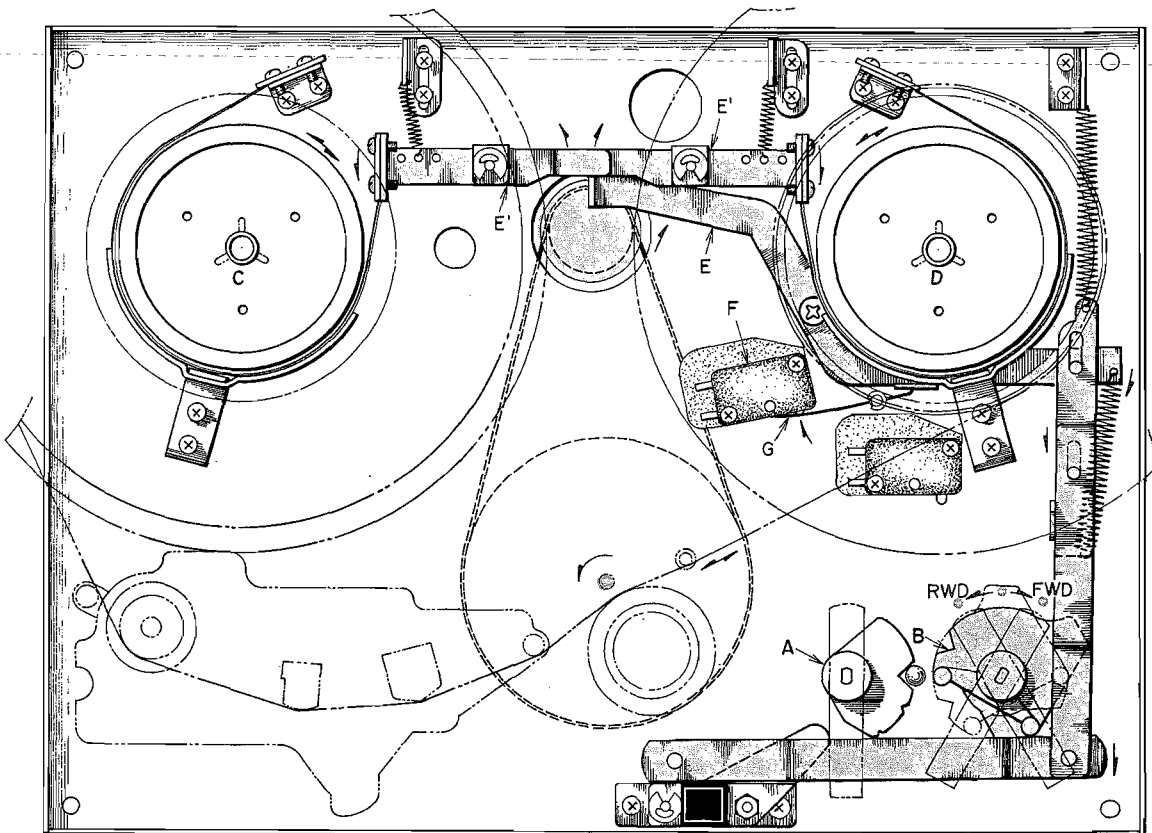


Fig. 10 F. FWD/RWD MODE

1. FORWARD PLAYBACK/RECORDING

MODE (Refer to Fig. 9)

Setting Recording/Playback Lever (A) to playback position causes Brake Lever (E) to move in the direction of the arrow and release the brake of both torque motors, and at the same time, Operation Micro Switch (SW-6) is turned ON by Lever (G), and the torque motors begin to rotate in the direction of the arrows. Also the capstan contacts the pinch roller and the tape is transported at constant speed.

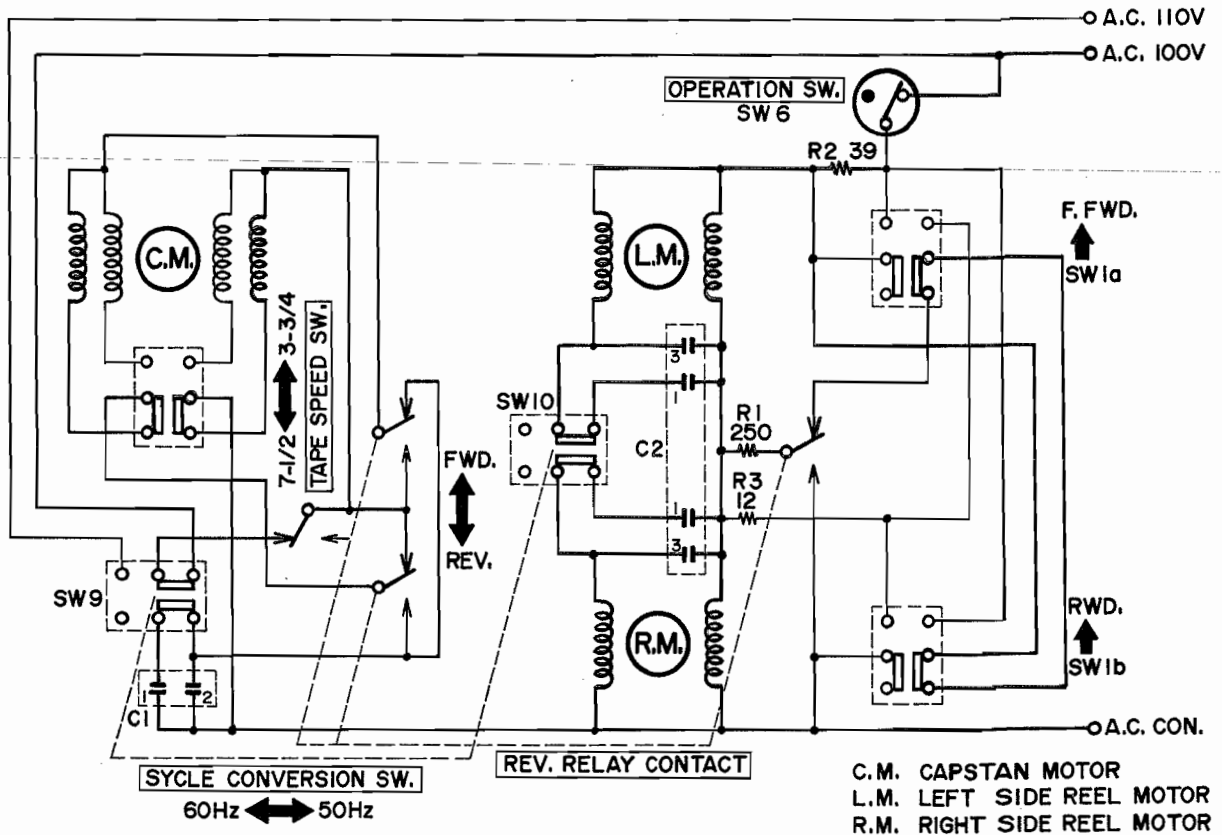
2. FAST FORWARD/REWIND MODE

(Refer to Fig. 10)

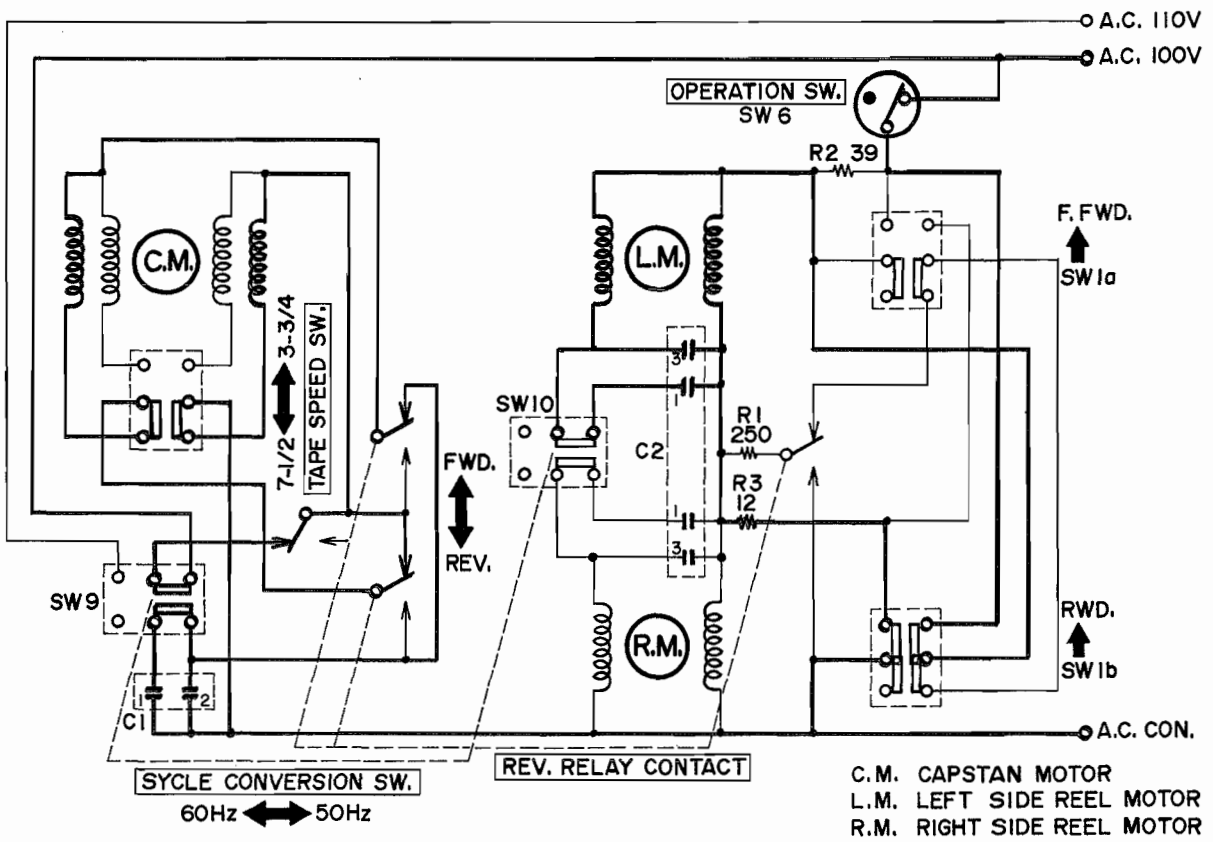
- 1) Setting Fast Forward/Rewind Lever (B) to Fast Forward or Rewind position causes Brake Lever (E) to move in the direction of the arrow, and release the brake of both torque motors, and at the same time, Operation Micro Switch (SW-6) is turned ON by Lever (G) and the torque motors begin to rotate in the direction of the arrows.
- 2) For Fast Forward or Rewind, the mechanical operation is the same, but the voltage supply is different at each mode.

3. MOTOR OPERATION BLOCK DIAGRAM

1) FWD P.B. MODE

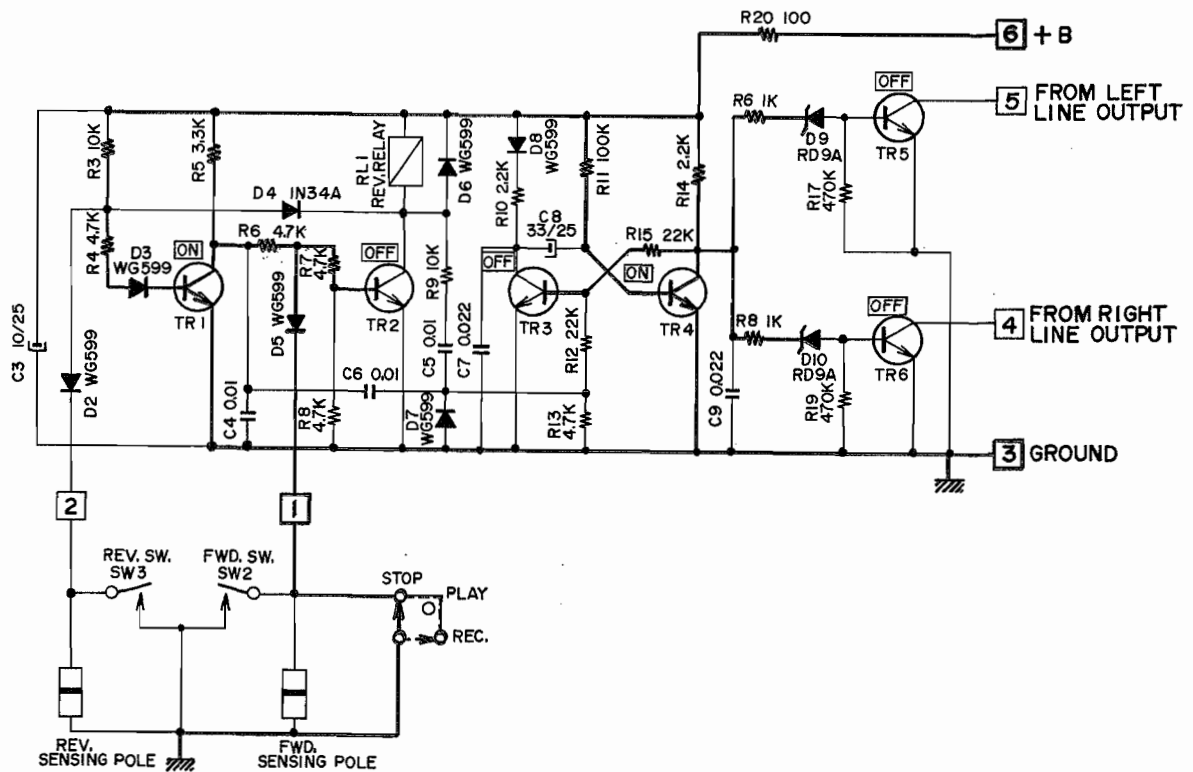


4) RWD MODE

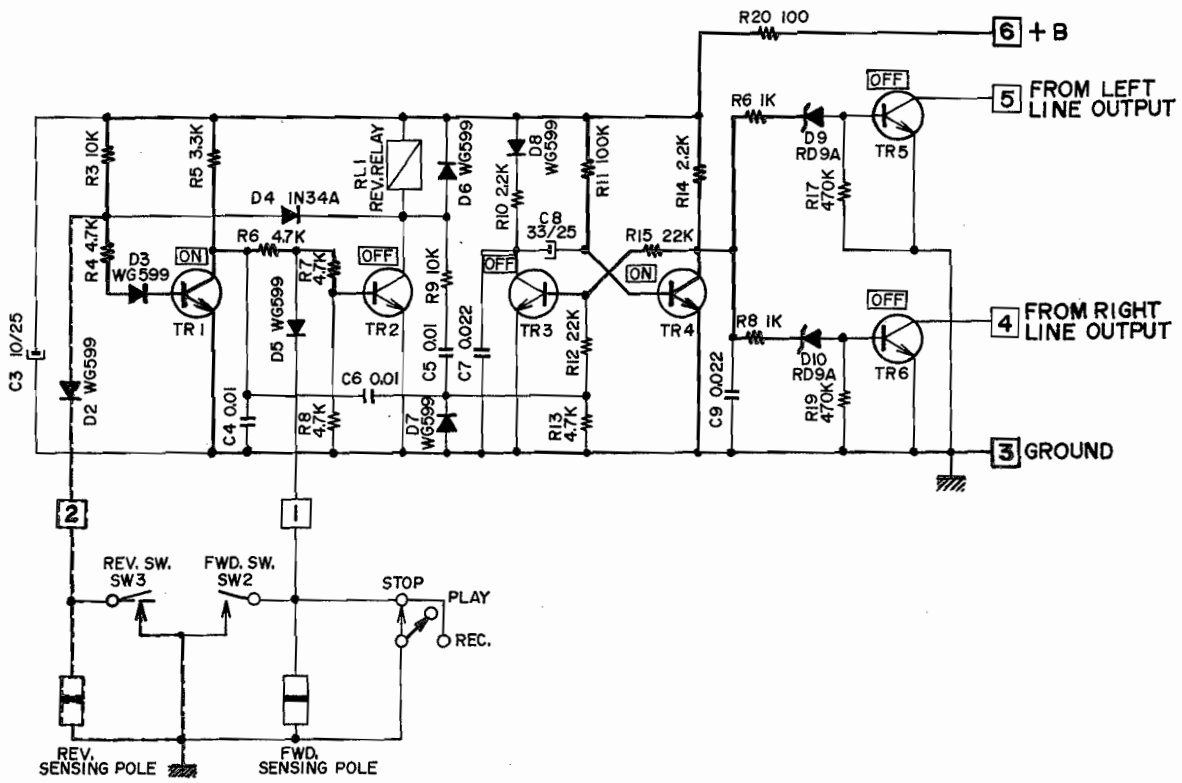


4. SYSTEM CONTROL BLOCK DIAGRAM

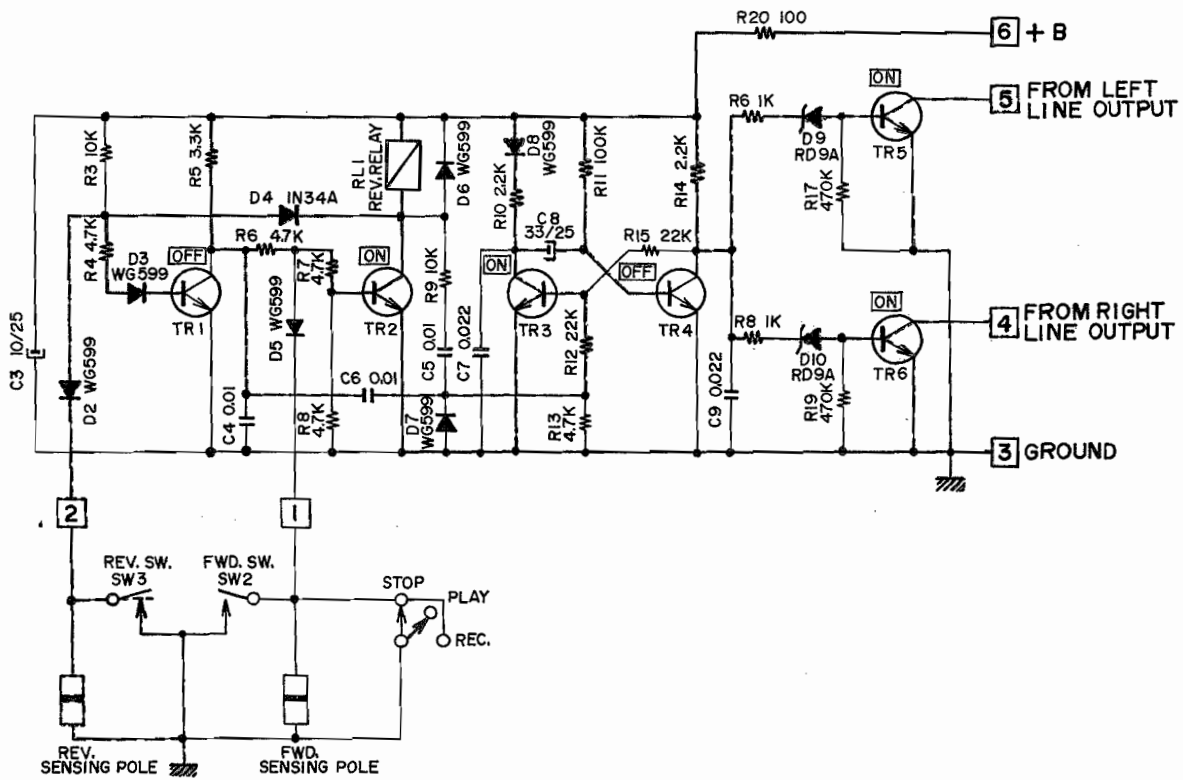
1) STOP AND REC. MODE



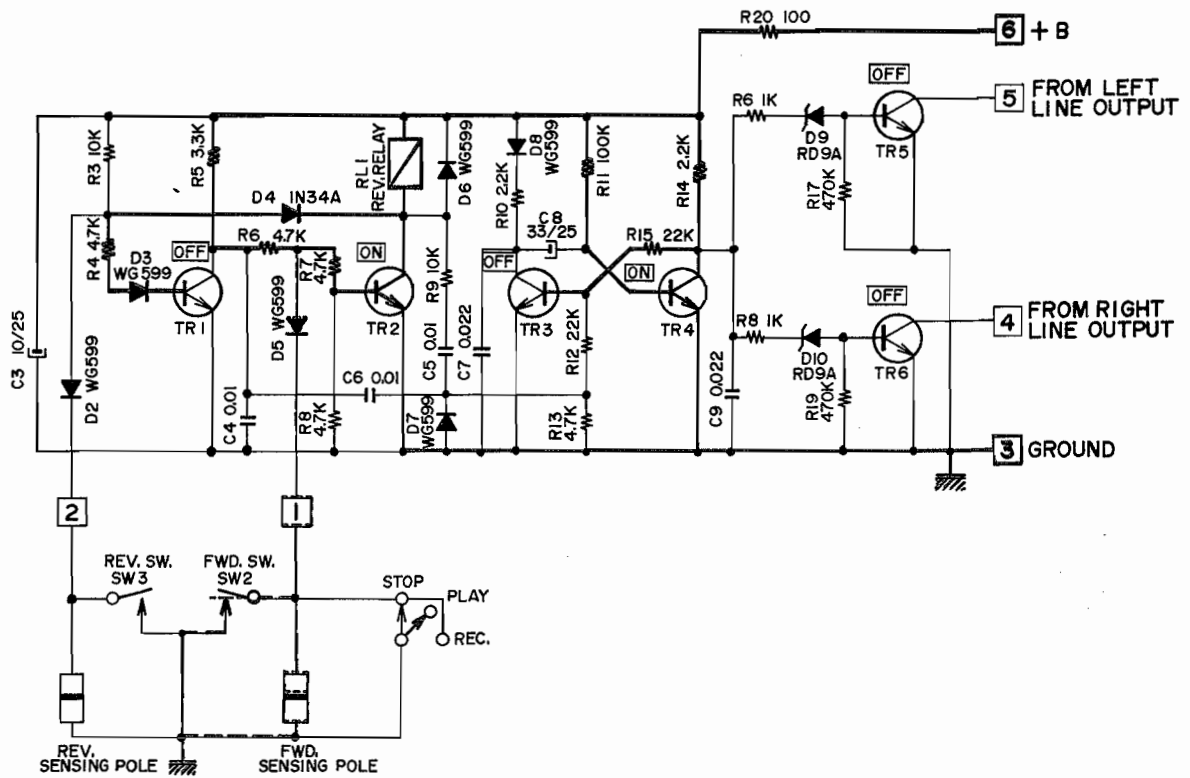
2) FWD P.B. MODE



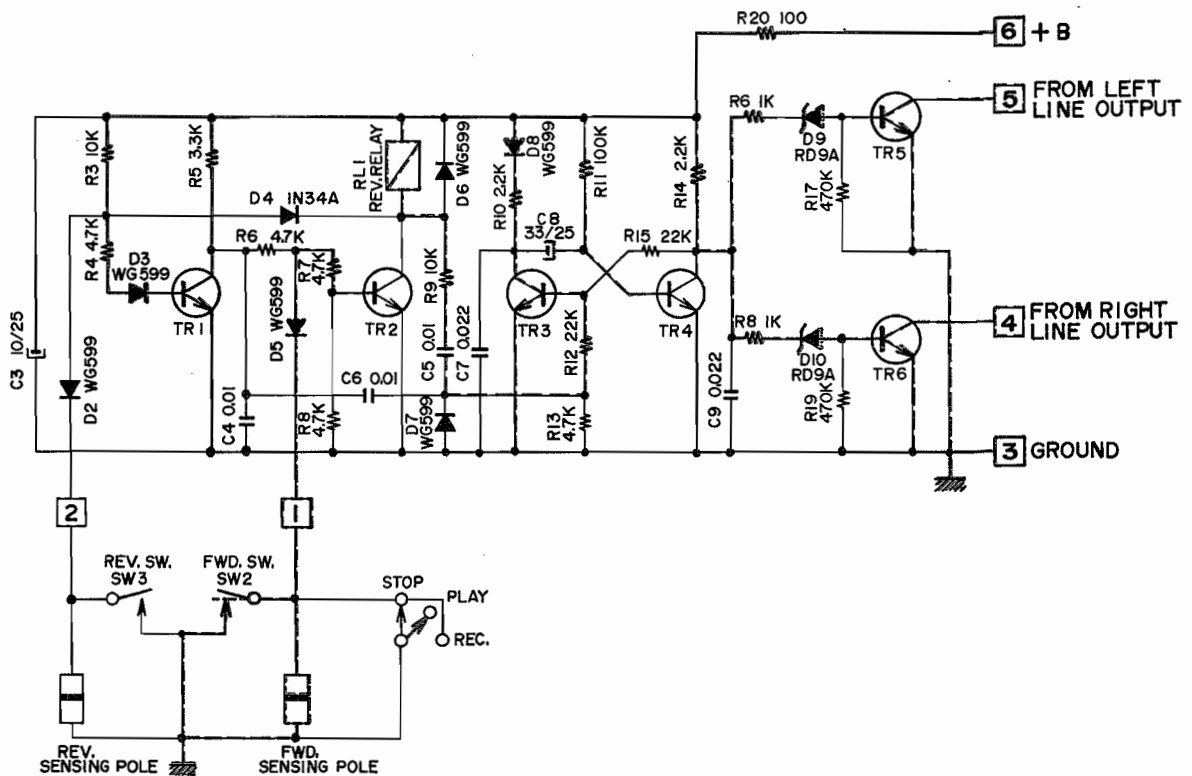
3) FWD P.B. TO REV P.B. MODE



4) REV P.B. MODE



5) REV P.B. TO FWD P.B. MODE



V. MECHANISM ADJUSTMENTS

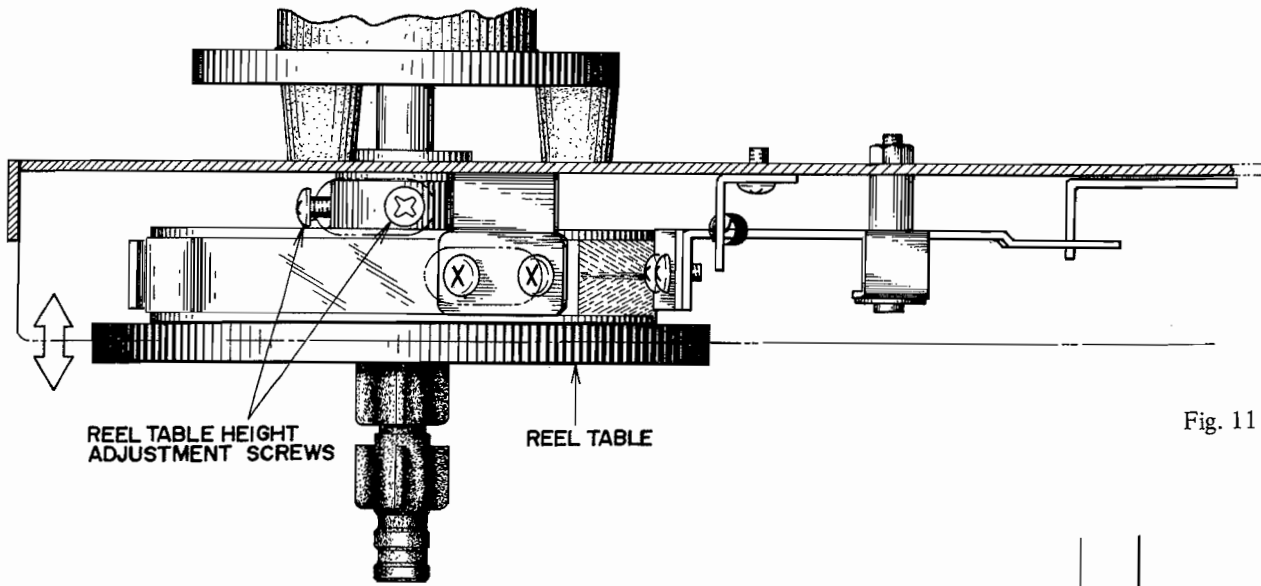


Fig. 11

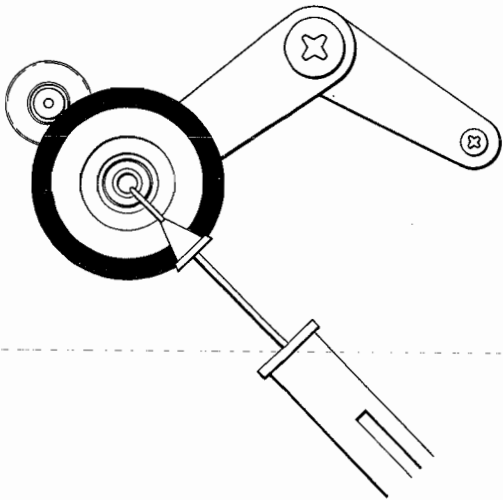


Fig. 12

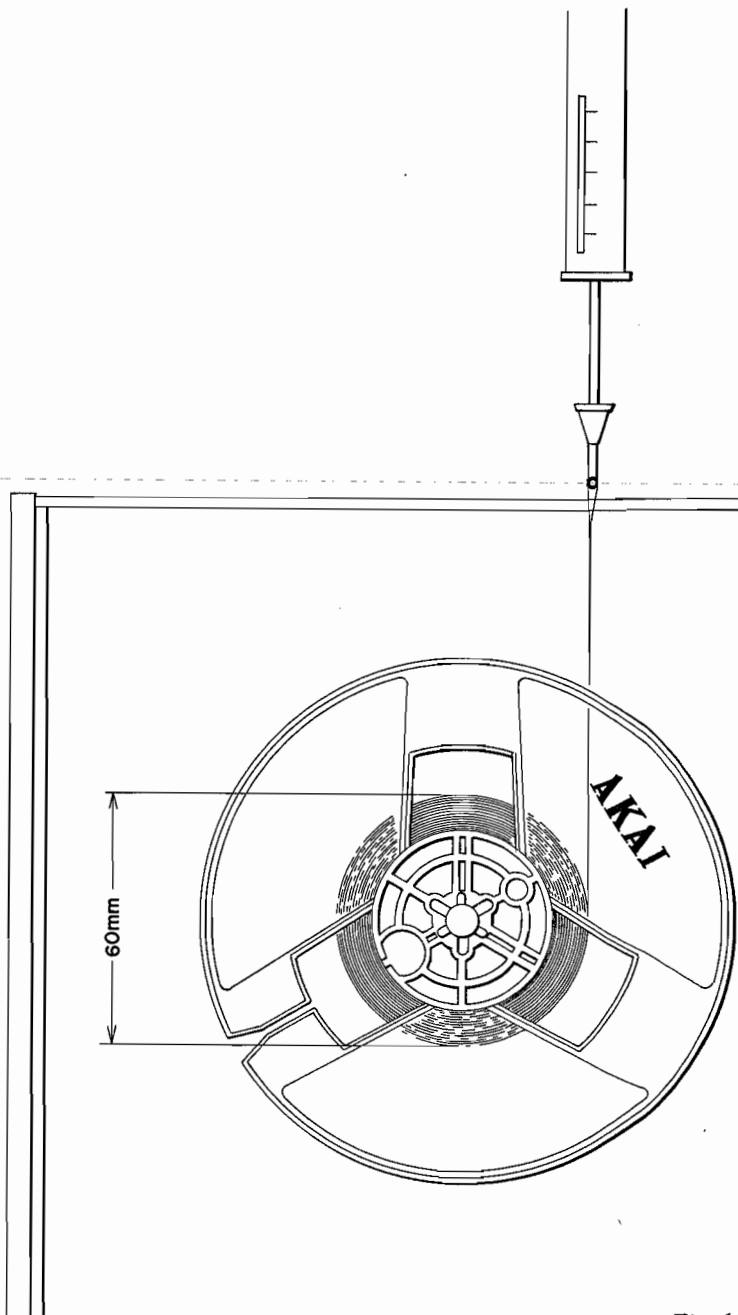


Fig. 13

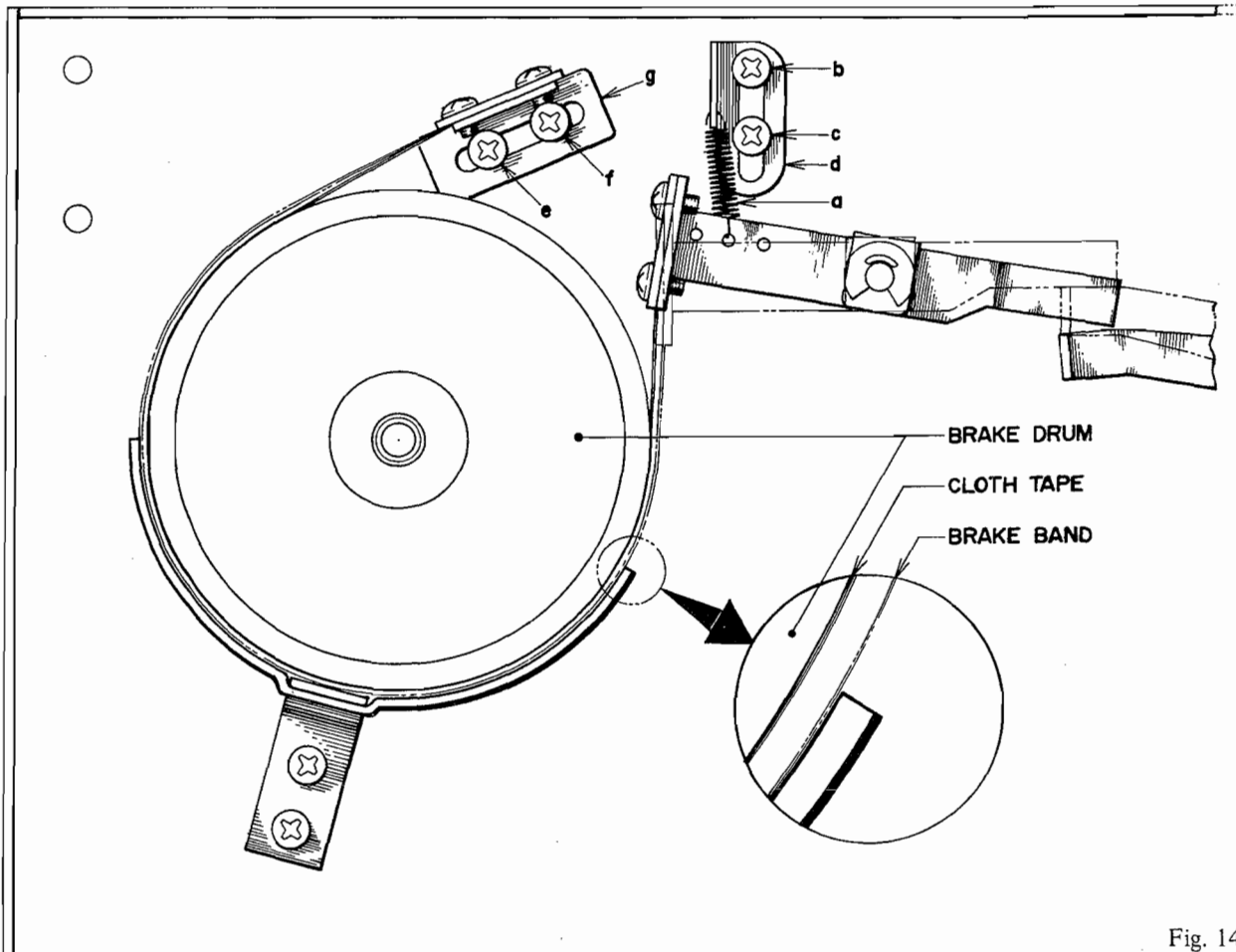


Fig. 14

1. REEL TABLE HEIGHT ADJUSTMENT

As shown in Fig. 11, loosen reel table height adjustment screws, and adjust reel table height by moving table in direction of arrow and positioning so that the tape winds in the center of the reel.

2. PINCH WHEEL PRESSURE MEASURING METHOD

Measure pinch wheel pressure with a tension gauge as shown in Fig. 12. Read the value on the tension gauge as soon as the pinch wheel separates from the tape and tape travel stops. Ideal pinch wheel pressure is 1.8 kg.

3. BRAKE TENSION ADJUSTMENT

- 1) As shown in Fig. 13, use a 60 mm diameter tape wound on a 5" reel and measure the brake tension with a tension gauge. Ideal brake tension is from 300 to 370 grams.
- 2) Brake tension adjustment can be made as follows: (Refer to Fig. 14)
 - a) Change position of Suspended Spring (a).
 - b) Loosen Screws (b) and (c) and adjust the vertical position of Spring Suspension Metal (d).

- c) Loosen Screws (e) and (f) and adjust the horizontal position of Brake Band Suspension Metal (g).

- d) Only the left side is shown in Fig. 14, but the right side must be adjusted in the same way.

NOTE: In making brake tension adjustment, at all modes except stop mode, confirm that the brake band completely separates from the cloth tape on the brake drum. (Refer to Fig. 14)

4. SUPPLY VOLTAGE AND TENSION AT VARIOUS OPERATING MODES

Torque Motor Mode	Left Side	Right Side
Normal P.B.	33V 60 g	57V 200 g
Reverse P.B.	57V 200 g	33V 60 g
F. FWD	6V 15 g	95 V 460 to 480 g
RWD	95 V 460 to 480 g	6 V 15 g

Chart 1

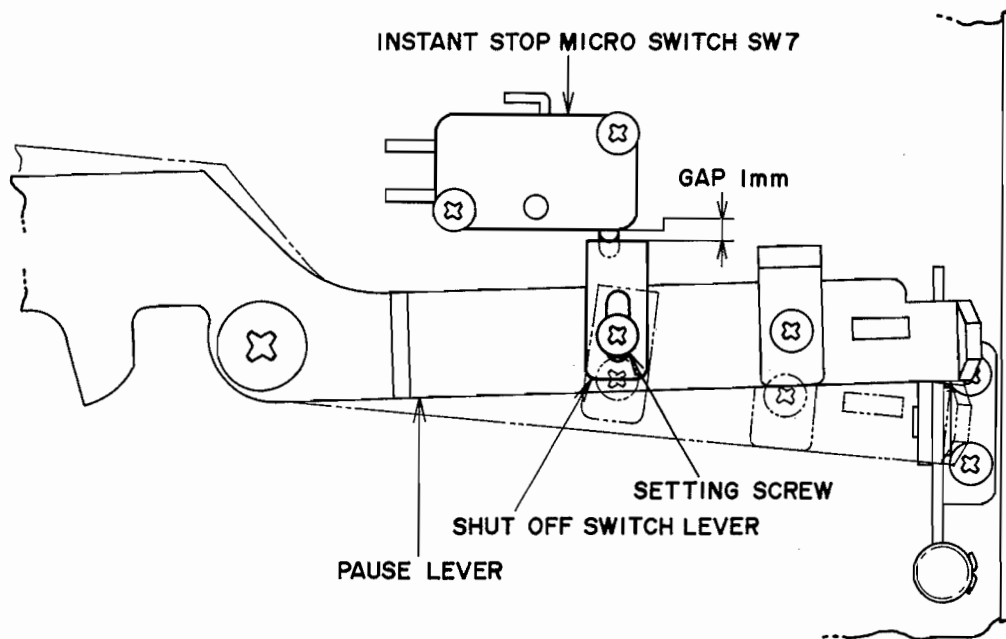


Fig. 15

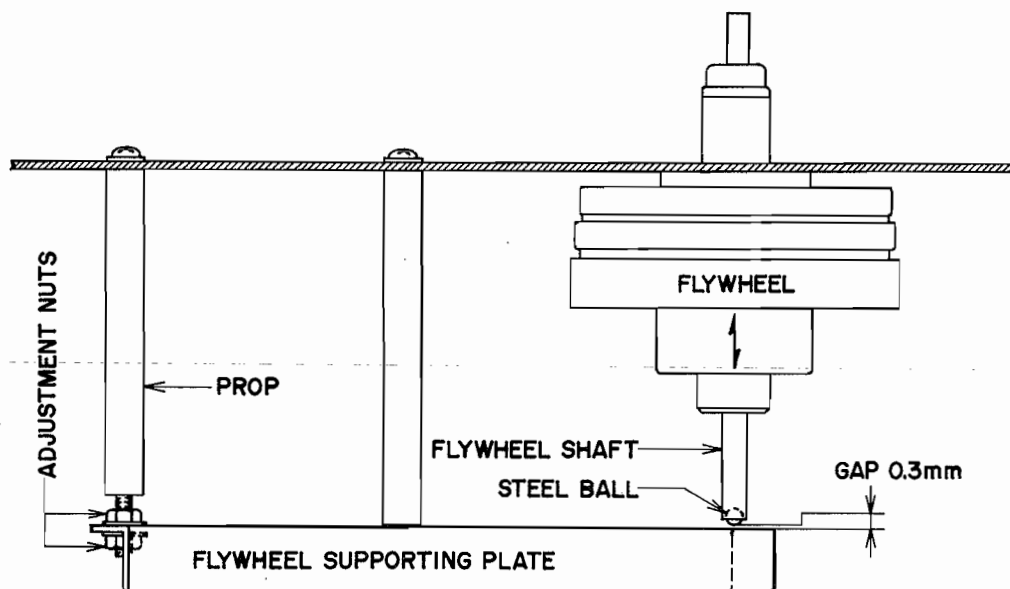


Fig. 16

5. SHUT-OFF SWITCH LEVER POSITION ADJUSTMENT

Adjust the vertical (up and down) position of the shut-off switch lever so that at pause mode, the gap between the shut-off switch lever and Instant Stop Micro Switch SW7 is 1 mm as shown in Fig. 15.

6. FLYWHEEL LOOSE PLAY ADJUSTMENT

Turn the adjustment nuts to obtain a 3 mm gap between the steel ball and flywheel supporting plate when the flywheel is moved in the direction of the arrow as shown in Fig. 16.

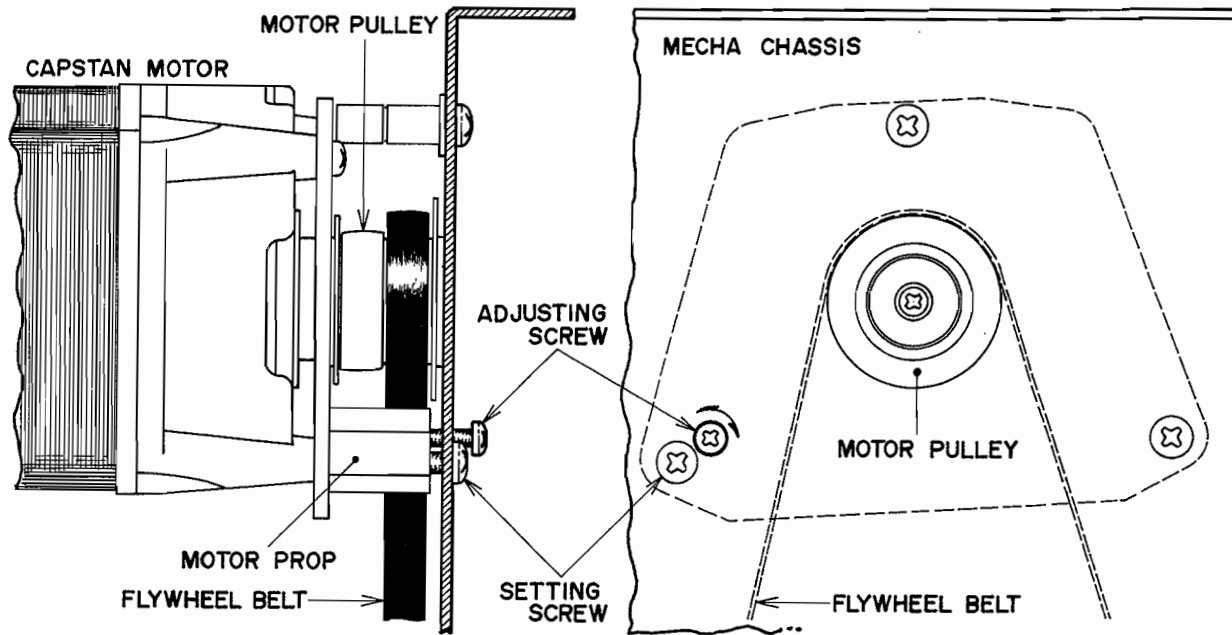


Fig. 17

7. FLYWHEEL BELT POSITION

ADJUSTMENT

- 1) With capstan motor revolutions operating at Rev. mode, loosen setting screw and turn flywheel belt position adjustment screw until the flywheel belt comes to the center of the motor pulley. (Refer to Fig. 17)
- 2) Tighten setting screw to maintain center positioning of flywheel belt at Rev. mode.
- 3) Confirm that the flywheel belt runs on the center of the motor pulley at Fwd. mode also.

VI. OPEN REEL HEAD ADJUSTMENTS

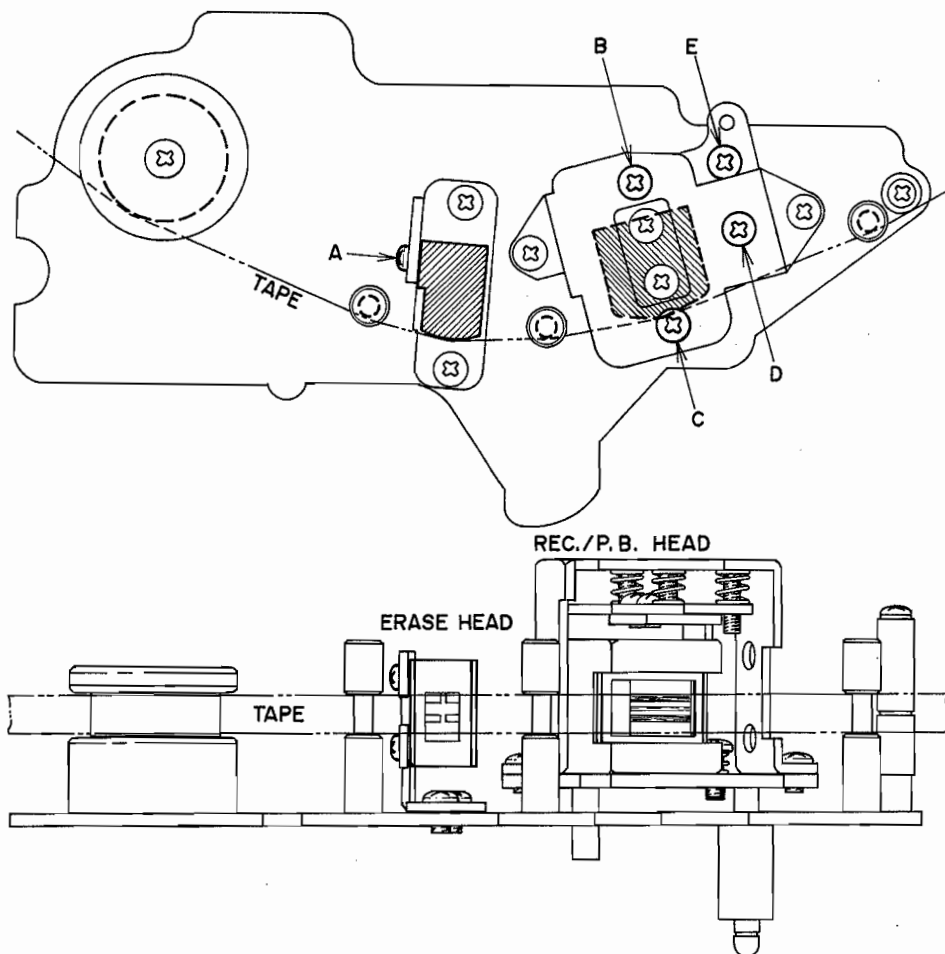


Fig. 18

1. HEAD HEIGHT ADJUSTMENT

1) Erase Head

At playback mode, loosen Screws (A) shown in Fig. 18 and adjust head height so that the upper edge of the tape is about 0.1 mm lower than the upper edge of the left channel erase head core.

2) Recording Playback Head

a) At Forward Playback mode, adjust REC/P.B. Head height by turning screws (B)(C) and (D) shown in Fig. 18 to left and right until the upper edge of the tape is the same height as the upper edge of the left channel REC/P.B. Head core.

b) At Reverse Playback mode, adjust REC/P.B. Head height by turning Screw (E) shown in Fig. 18 to left and right until the lower edge of the tape is the same height as the lower edge of the right channel REC/P.B. Head core.

3) In case of model GX-1820, set Speaker Switch to OFF position.

4) Playback an 8,000 Hz 3-3/4 ips recorded Ampex Alignment test tape.

5) At Forward Playback mode, turn Azimuth Alignment Screw (D), shown in Fig. 18 to obtain maximum line output level on both channels.

6) After the adjustment in Item 5) above has been completed, loosen Screws (F)(G) shown in Fig. 18 and move the head gap side of the REC/P.B. Head to left and right. When tension is applied to the supply reel side and the line output level of both channels do not fluctuate, (maximum allowable fluctuation within +0.5/-0 dB) fix Screws (F)(G) to maintain this condition.

7) At Reverse Playback mode, make the same adjustment as outlined above until the line output level of both channels do not fluctuate.

2. REC/P.B. HEAD AZIMUTH ALIGNMENT ADJUSTMENT

1) Connect a high sensitivity V.T.V.M. to the line output terminals.

2) Set both the Tape Speed Switch and Equalizer Switch to 7-1/2 ips (19 cm/sec.), and depress REEL button.

3. To obtain best results, repeat adjustments outlined in Paragraphs 1 and 2 above 2 or 3 times.

New blank tape should be used when making these adjustments.

VII. CARTRIDGE HEAD ADJUSTMENTS

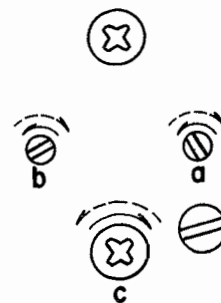
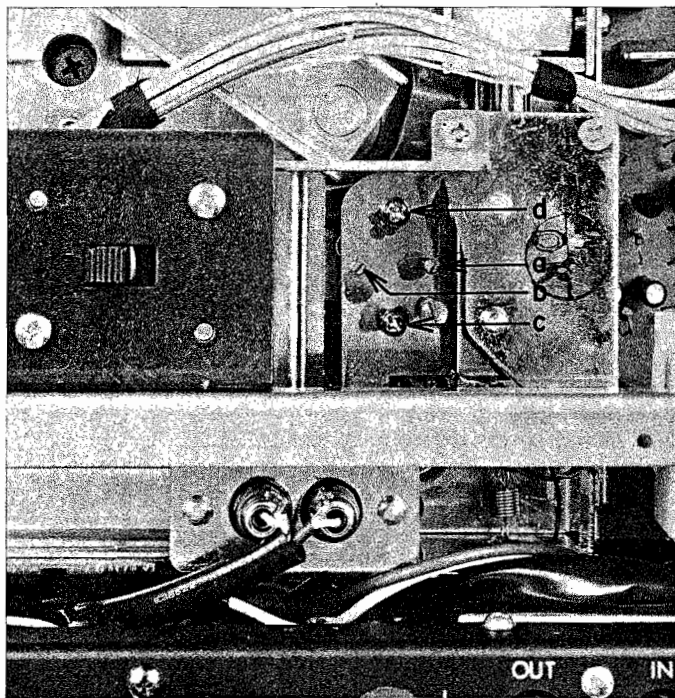


Fig. 19

1. HEAD ANGLE ADJUSTMENT

Connect a high sensitivity V.T.V.M. to the line output. Playback Program 3 of an 8,000 Hz pre-recorded tape and adjust Screw (C) shown in Fig. 19 so that the V.T.V.M. indication is maximum.

2. HEAD HEIGHT AND CROSS TALK ADJUSTMENT

- 1) Connect a high sensitivity V.T.V.M. to the line output.
- 2) Playback Program 2 of Test Tape and adjust Screw (d) shown in Fig. 19 so that the V.T.V.M. indication is minimum.
- 3) The adjustments outlined in Items 2) above will result in ideal head height position and minimize cross talk.

Test Tape

This test tape is a tape specially designed by AKAI for head height and cross talk adjustment tests.

- Program 1 . . . 1,000 Hz
- Program 2 . . . Blank
- Program 3 . . . 1,000 Hz
- Program 4 . . . 3,000 Hz

3. CONFIRMATION OF HEAD HEIGHT

- 1) Record a 1,000 Hz 0 VU signal on a Blank Test Tape. Next, run the tape under a non-input signal condition. Then playback the tape.
- 2) At this time check to see whether or not the recorded sound is emitted from the speaker or line output.
- 3) If no signal or no sound is emitted, the height of the recording and erase heads are properly adjusted. If the recorded signal has not been perfectly erased and is emitted from the speaker or line output, the recording and erase head height is not properly adjusted and the following adjustment is necessary.

“Turn Screws (a) and (b) in the same direction and to the same degree and turn Screw (c) in the opposite direction to the same degree (see Fig. 19). This fine adjustment screw should not be turned to exceed 10° and should equal the degree to which Screws (a) and (b) have been adjusted.”

4. After the above adjustment has been carried out, it is necessary to readjust head height and cross talk. Use a test tape and make the adjustments outlined in Item 2-2) again.

Blank Test Tape

This is also a special tape designed by AKAI. Duration of tape is only 15 seconds.

VIII. AMP. SYSTEM ADJUSTMENTS

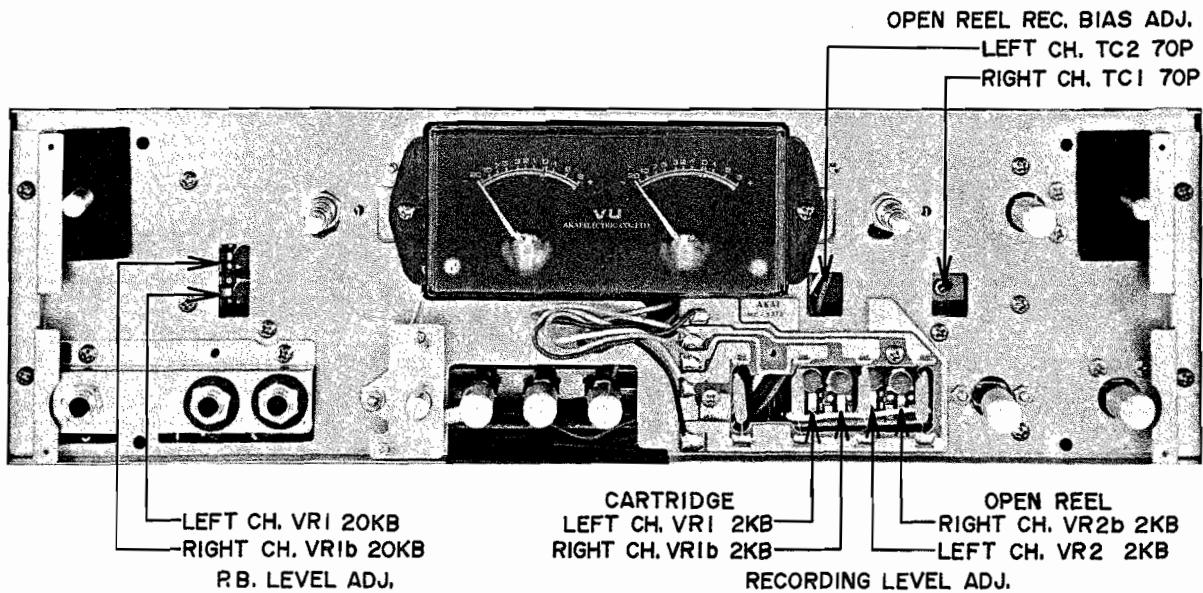


Fig. 20

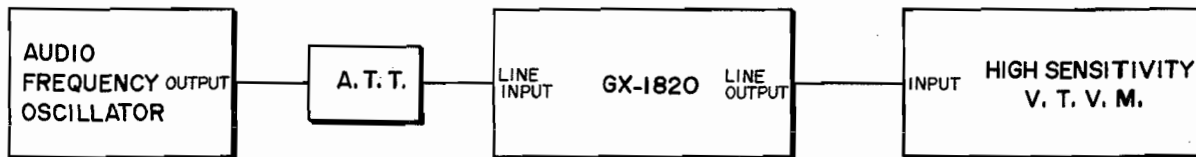


Fig. 21 Measuring Instrument Connection

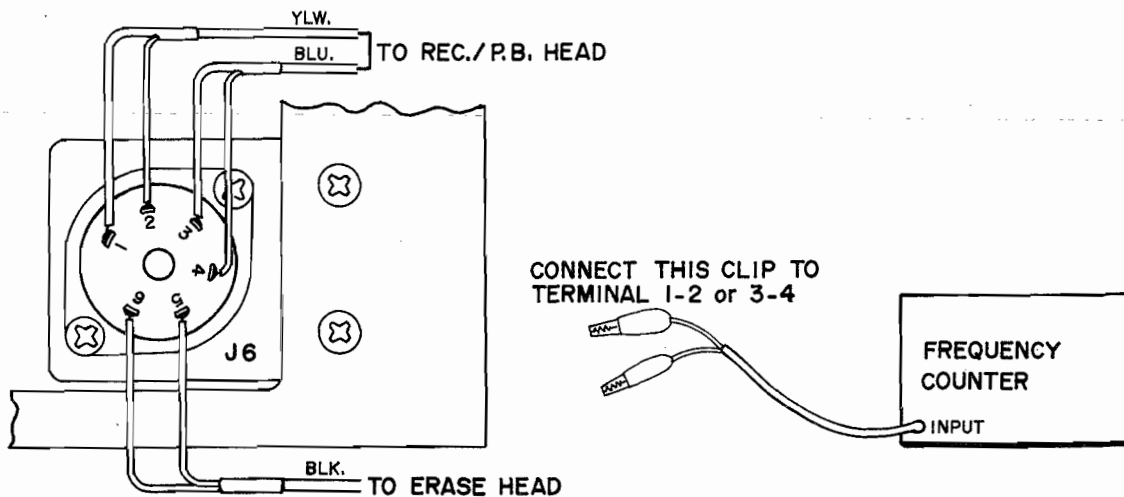


Fig. 22

1. PLAYBACK LEVEL ADJUSTMENT

- 1) Connect a high sensitivity V.T.V.M. to the line output terminals.
- 2) Set both the tape speed switch and the equalizer to 7-1/2 ips (19 cm/sec.).
- 3) Depress the REEL mode selector and set left and right level controls to maximum. (Turn fully clockwise)
- 4) In case of model GX-1820, set speaker switch to OFF position.
- 5) Playback a 250 Hz 0 VU recorded test tape.
- 6) Adjust Pre-amp. P.C. Board Playback Level Adjustment Semi-fixed Resistors VR1 20 kB (left ch.), and VR1b 20 kB (right ch.) in Fig. 20 to obtain a high sensitivity V.T.V.M. indication of 4 dB (1.228 V).

2. OPEN REEL HIGH FREQUENCY DEVIATION CHECK

- 1) Between Channels
Playback an 8,000 Hz, 3-3/4 ips alignment test tape and confirm that the difference in output between left and right channel is within ± 2 dB.
- 2) Between Forward and Reverse Playback
Playback an 8,000 Hz 3-3/4 ips alignment test tape at both Fwd and Rev modes and confirm that the difference in output between Fwd and Rev mode is within ± 3 dB.
- 3) In making the checks outlined in Items 2-1) and 2-2) above, if the difference in output is not within specifications, re-adjust head azimuth alignment until output deviation is within specifications.

3. CARTRIDGE PLAYBACK LEVEL CHECK

Following open reel playback level adjustment, playback a 500 Hz 0 VU recorded cartridge test tape and confirm that the line output level is 4 ± 1.5 dB.

4. CARTRIDGE HIGH FREQUENCY DEVIATION CHECK

Playback an 8,000 Hz alignment test tape and confirm that the difference in output between left and right channels is within ± 3 dB. In case the difference is not within specifications, re-adjust cartridge head azimuth alignment until output deviation is within specifications.

5. OPEN REEL RECORDING LEVEL ADJUSTMENT

- 1) Connect an Audio Frequency Oscillator to the line input terminals through an attenuator, and connect a high sensitivity V.T.V.M. to the line output terminals.
- 2) Set both the tape speed switch and the equalizer to 7-1/2 ips (19 cm/sec.).
- 3) Depress REEL mode selector, and set left and right level controls to maximum. (Turn fully clockwise)
- 4) Set S.R.T. switch to OFF (out) position.
- 5) In case of model GX-1820, set speaker switch to OFF position.
- 6) Load a Fuji S-100 blank tape.
- 7) Set machine to recording mode, and supply a 1,000 Hz signal to the line input from the Audio Frequency Oscillator. Adjust attenuator to obtain a high sensitivity V.T.V.M. indication of 4 dB (1.228 V).
- 8) Record for several seconds under the condition described in Item 6-7) above. Then rewind and playback the recorded tape and check the V.T.V.M. indication.

- 9) In the event that the V.T.V.M. indication is not 4 dB, adjust Mode Switch P.C. Board Open Reel Recording Level Adjustment Semi-fixed Resistors VR2 2 kB (left ch.) and VR2b 2 kB (right ch.) shown in Fig. 20 to obtain a 4 dB (1.228 V) V.T.V.M. indication.

6. RECORDING BIAS ADJUSTMENT

- 1) Follow Items 6-1) through 6-6) above, setting tape speed switch and equalizer to 3-3/4 ips position in Item 6-2)
- 2) Set machine to recording mode and supply a 1,400 Hz signal to the line input from the Audio Frequency Oscillator. Adjust attenuator to obtain a high sensitivity V.T.V.M. indication of -16 dB (150 mV).
- 3) Record for several seconds under the conditions described in Item 7-2) above. Then switch the oscillation frequency of the Audio Frequency Oscillator to 14,000 Hz and record for another several seconds.
- 4) Rewind the tape and playback the 1,400 Hz and 14,000 Hz recorded signals and check the V.T.V.M. indication.
- 5) In case the V.T.V.M. indication reveals that the output levels of the 14,000 Hz and the 1,400 Hz signals are not the same, adjust OSC. P.C. Board Recording Bias Adjustment Trimmer Condensers TC2 70P (left ch.) and TC1 70P (right ch.) until the signal output of these two frequencies are equal.
- 6) Because, there are times at which the recording level is affected, make a 1,000 Hz 0 VU recording, and re-check the recording level following recording bias adjustment.

7. CARTRIDGE RECORDING LEVEL ADJUSTMENT

- 1) Connect an Audio Frequency Oscillator to the line input terminals through an attenuator, and connect a high sensitivity V.T.V.M. to the line output terminals.
 - 2) Set the tape speed switch to "CART" and the equalizer to 3-3/4 ips (9.5 cm/sec.).
 - 3) Depress the "CART" mode selector, and set left and right level controls to maximum. (Turn fully clockwise)
 - 4) Set S.R.T. switch to OFF (out) position and set cartridge program selector to ch. "2" or "3".
 - 5) In case of model GX-1820, set speaker switch to OFF position.
 - 6) Load a *Blank Cartridge Test Tape.
 - 7) Set machine to recording mode and supply a 1,000 Hz signal to the line input from the Audio Frequency Oscillator. Adjust the attenuator to obtain a high sensitivity V.T.V.M. indication of 4 dB (1.228 V).
-

- 8) Record for several seconds under the conditions described in Item 8-7) above. Then playback the recorded tape and check the V.T.V.M. indication.
- 9) In the event that the V.T.V.M. indication is not 4 dB, adjust Mode Switch P.C. Board Cartridge Recording Level Adjustment Semi-fixed Resistors VR1 2 kB (left ch.) and VR1b 2 kB (right ch.) to obtain a 4 dB V.T.V.M. indication.

NOTE: 1) In case cartridge recording level is not 4 dB, adjust to specifications of 2 ± 2 dB, and adjust to obtain equal right and left ch. output.

* This is also a special tape designed by AKAI. Duration of tape is only 15 seconds.

8. RECORDING BIAS FREQUENCY MEASURING METHOD

Connect a frequency counter to Terminals 1-2 or 3-4 of J6 in Fig. 22. Set machine to recording mode and measure the recording bias frequency. Correct recording bias frequency is 62.5 ± 5 kHz.

9. POWER AMP. IDLING CURRENT ADJUSTMENT

- 1) Remove the wire from Power Transistor P.C. Board.
- 2) Connect a mA scale ammeter between collector and wire (disconnected wire).
- 3) Adjust Semi-fixed Resistors VR1 and VR2 (1 kB) in Fig. 23 so that the 2 ammeters (A1, A2) indicate 18 to 20 mA.
- 4) Make the same adjustment on both left and right channel Power Amp.

NOTE: Be sure to match ammeter polarities.

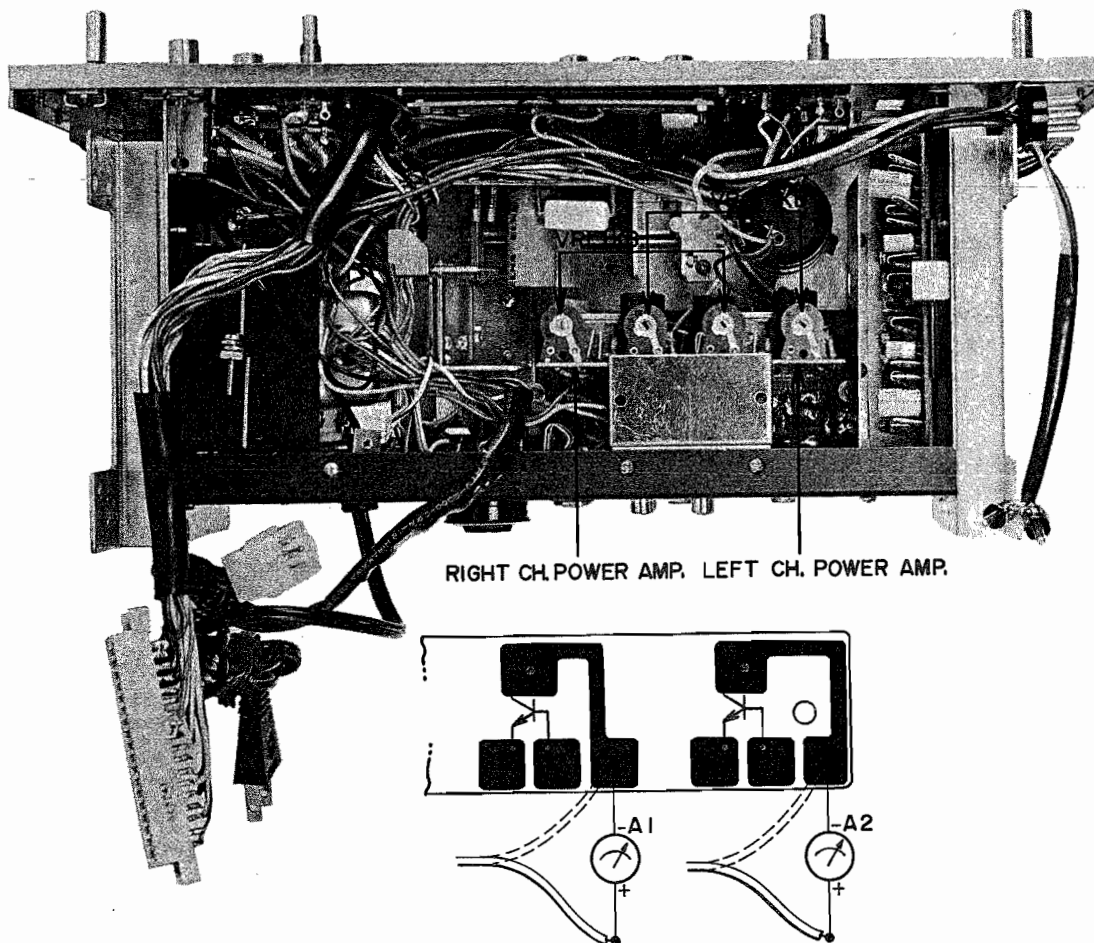


Fig. 23

IX. D.C. RESISTANCE OF EACH COIL

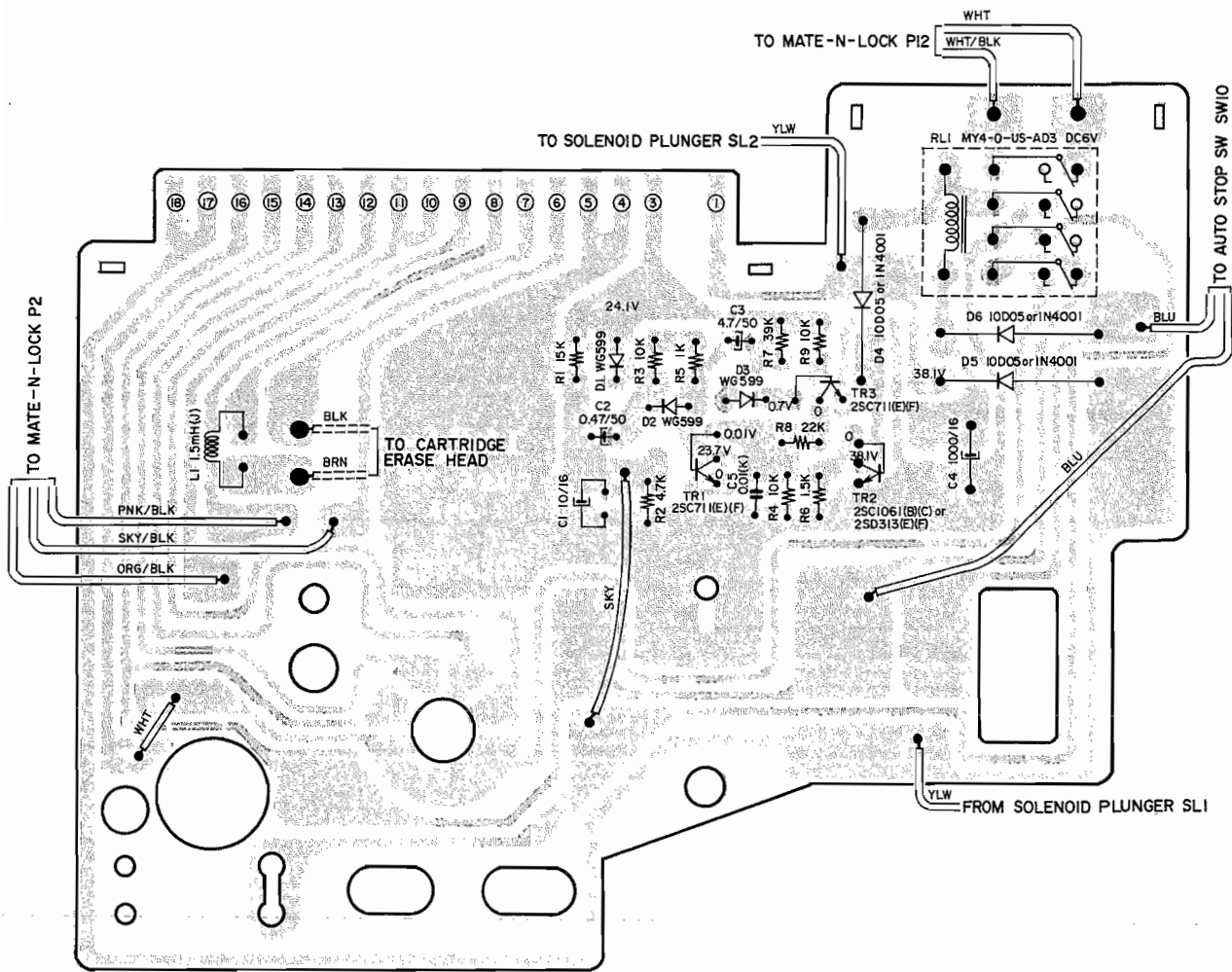
(Average D.C. Resistance Values)

Part	Designation	D.C. Resistance
Capstan Motor	HM-2-16MC	Between PNK-RED 130 Ω Between PNK-BRN 180 Ω Between GRN-GRY 360 Ω Between GRN-YLW 370 Ω
Reel Motor	24XO-MR	Between RED-BLU 74 Ω Between GRN-YLW 166 Ω
Head Reverse Solenoid	RGA-10143	630 Ω
Program Selector Solenoid	840N	18 Ω
Relay	MY4-O-US-AD3 DC6 V	43 Ω
Relay	MY4-O-US-AD4 DC24 V	650 Ω
Head Phone Output Transformer	N19-228S	590 Ω Primary 1.4 Ω Secondary
Input Transformer	N24B 6306AT	16 Ω Primary 7.5 Ω Secondary
Oscillator Coil	OT-803	Between 1-3 0.2 Ω Between 4-6 0.8 Ω
Erase Head	E4-260	4 Ω
Recording/Playback Head	E8-1	4.5 Ω
Recording/Playback Head	P4-201	240 Ω each channel
Recording/Playback Head	P8-1	110 Ω each channel

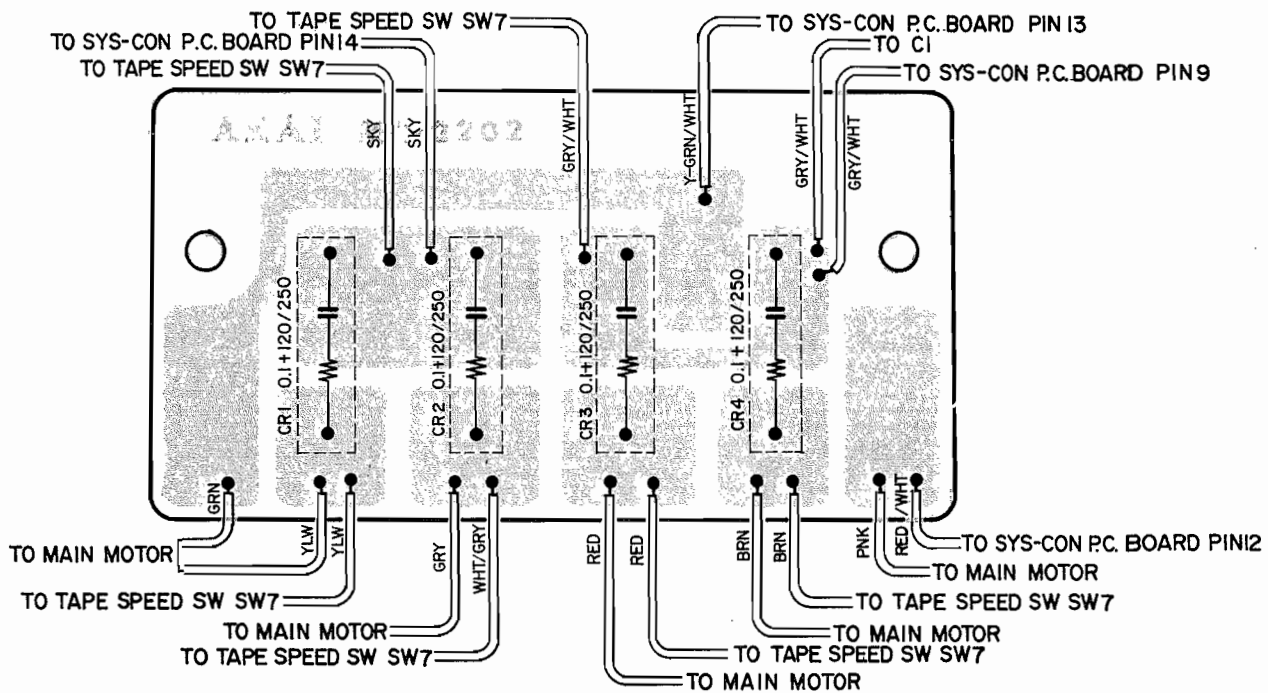
Chart 2

X. COMPOSITE VIEWS OF COMPONENTS

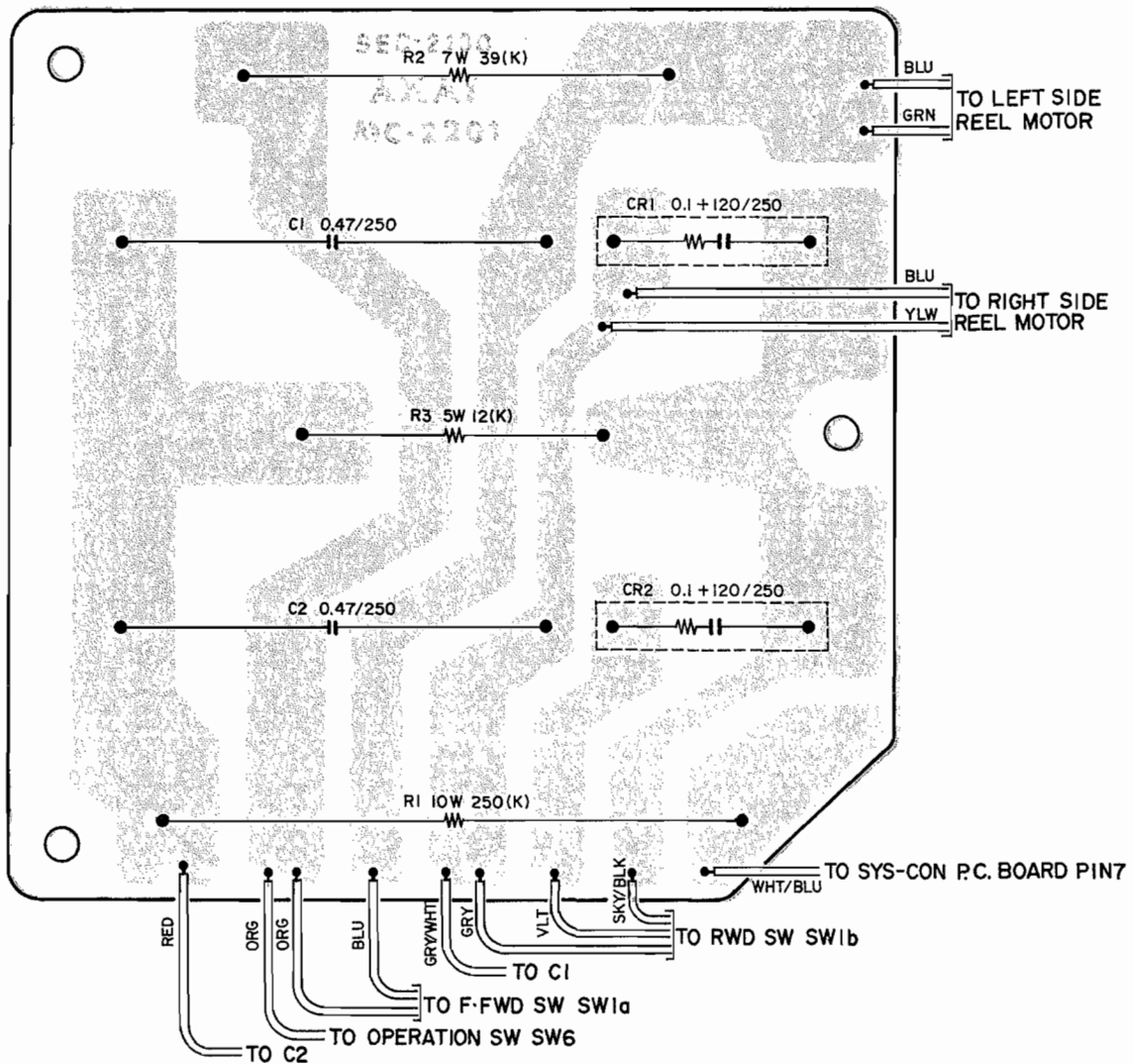
1. CARTRIDGE P.C. BOARD MC-3202



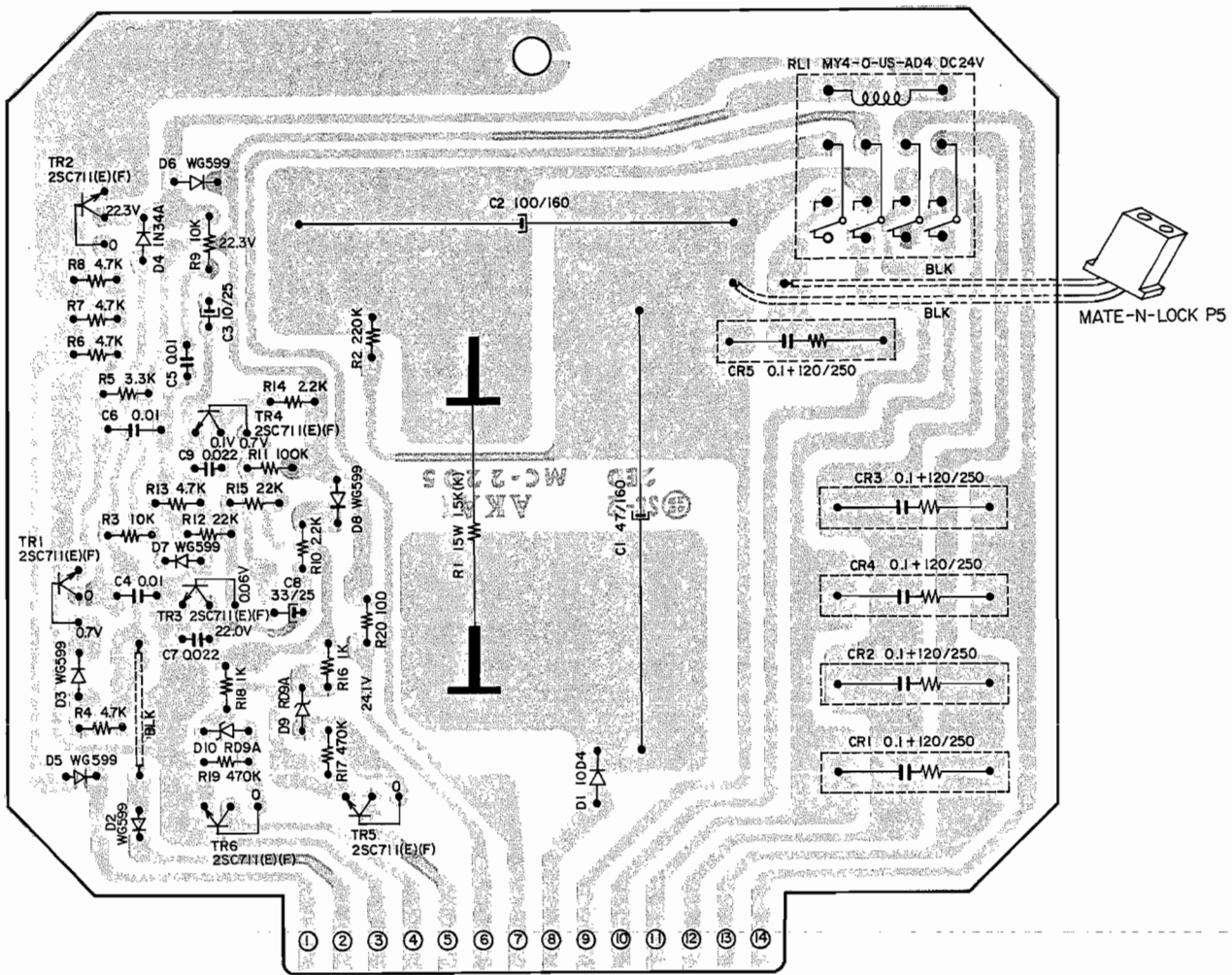
2. SPARK QUENCHER P.C. BOARD MC-2202



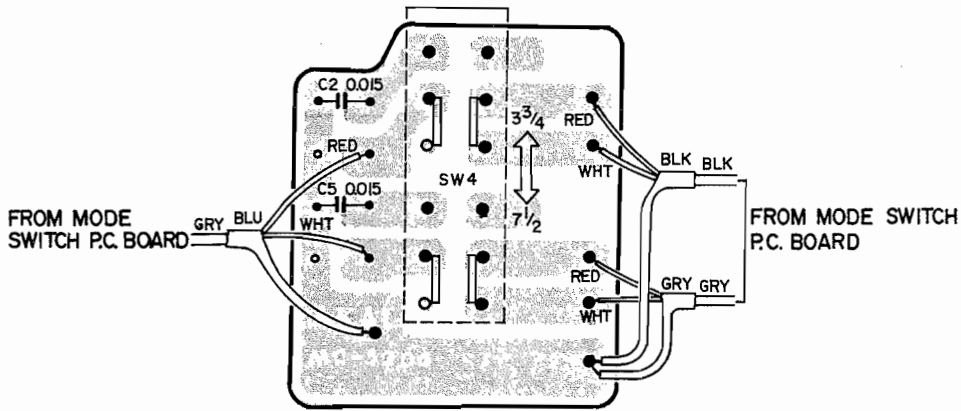
3. RESISTOR P.C. BOARD MC-2201



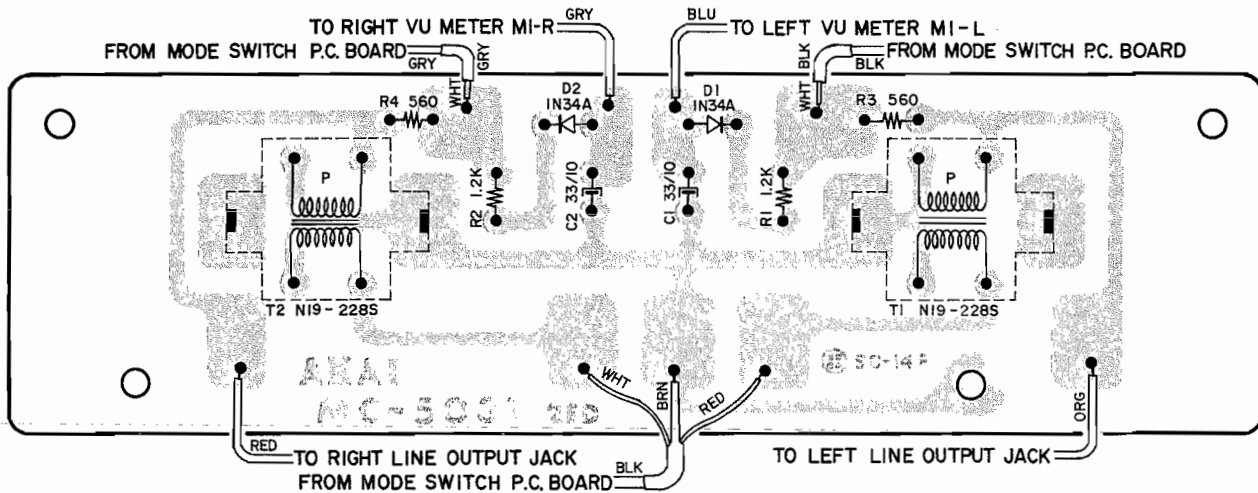
4. SYSTEM CONTROL P.C. BOARD MC-2205



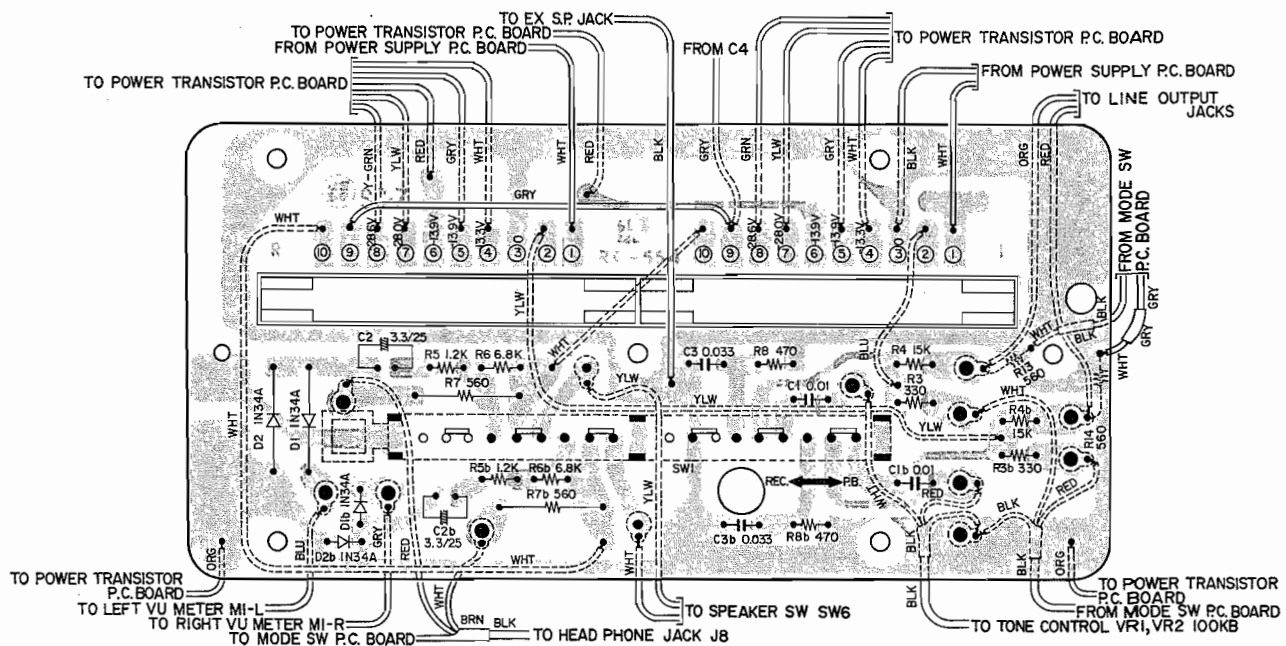
7. EQ. SW. P.C. BOARD MC-5206



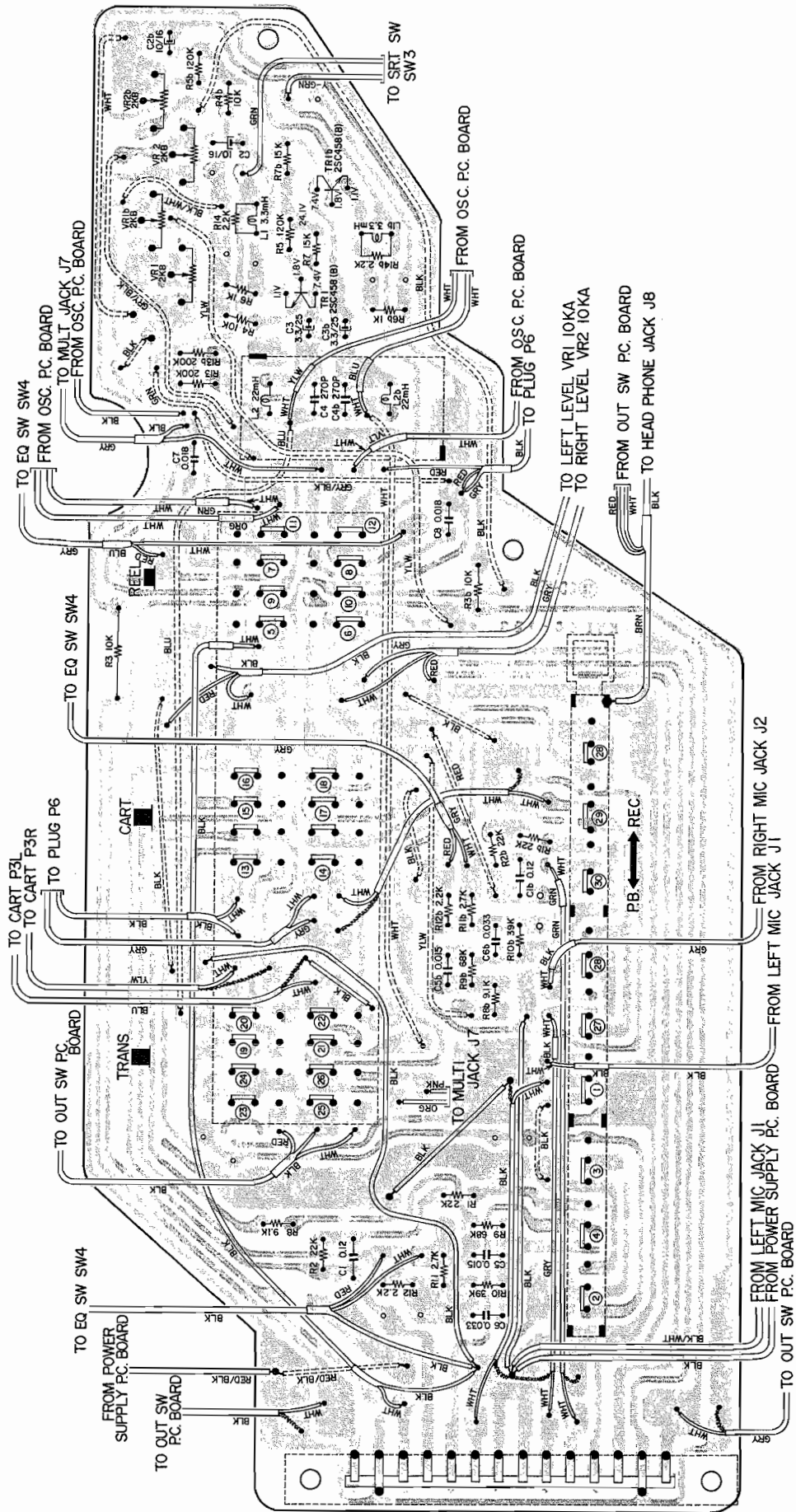
8. OUTPUT P.C. BOARD MC-5031 (Deck)



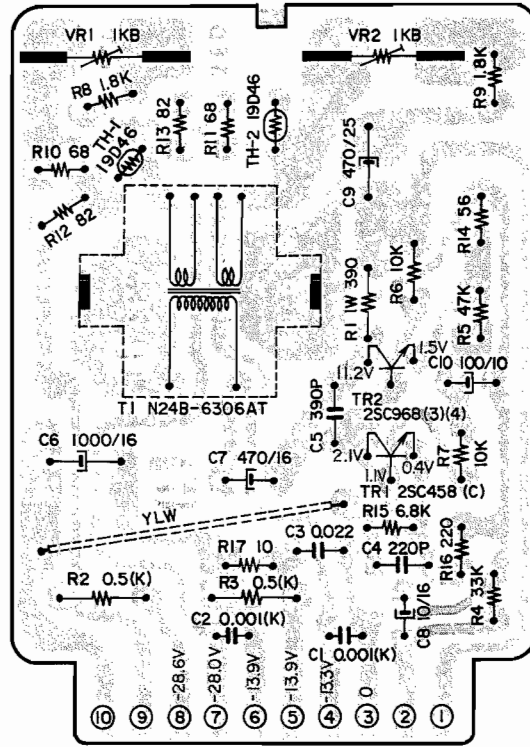
9. OUT SWITCH P.C. BOARD RC-554



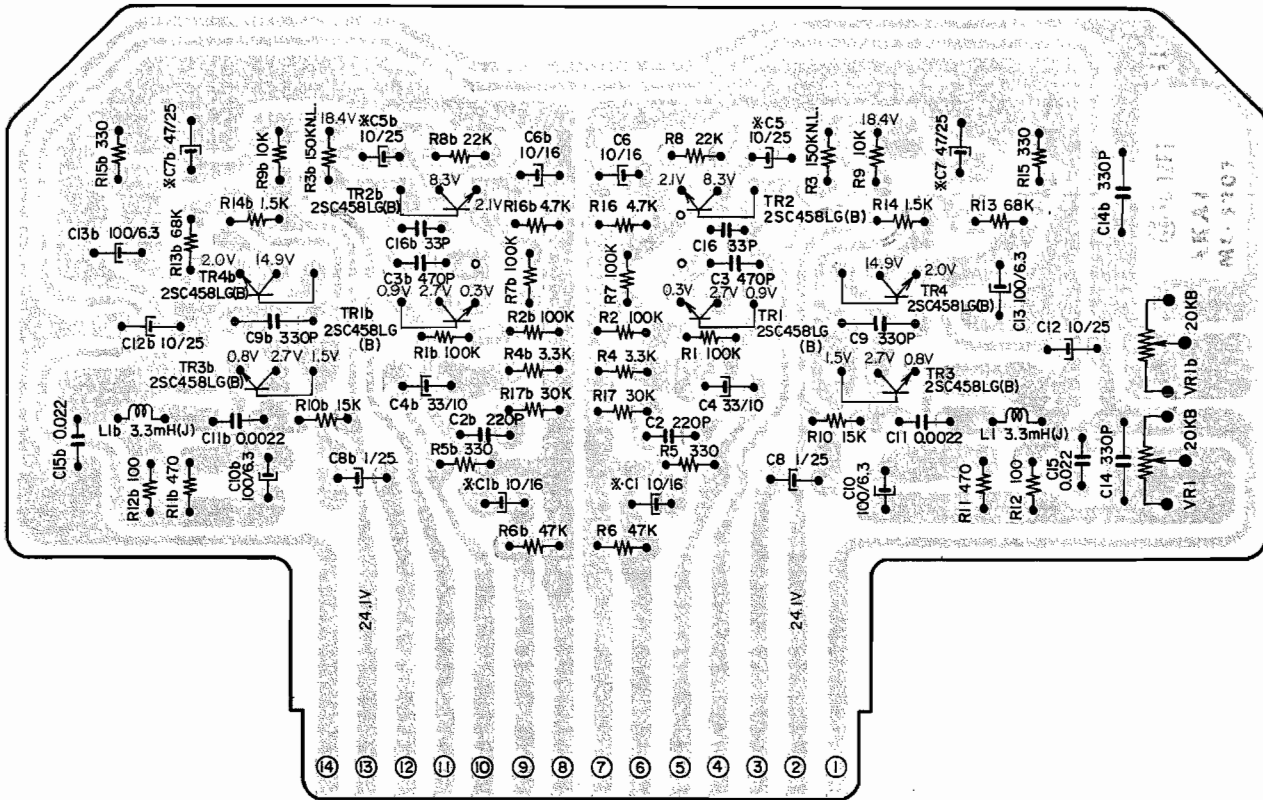
10. MODE SW. P.C. BOARD RC-553



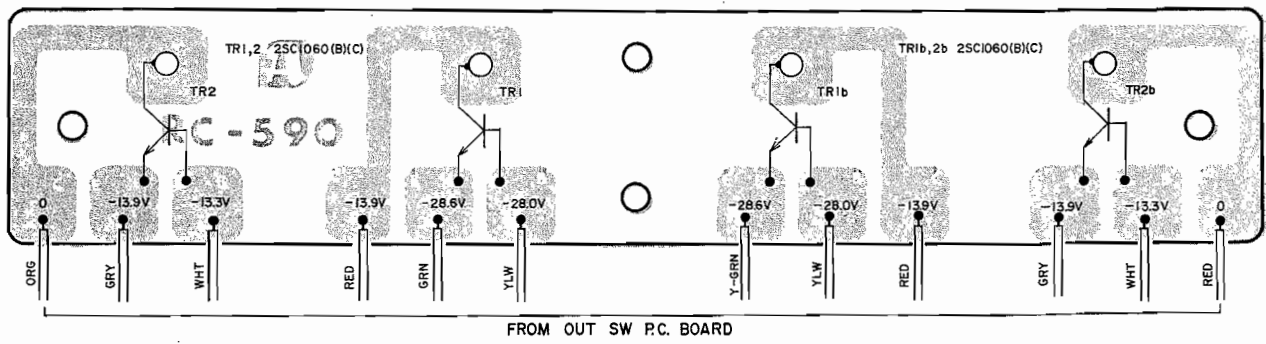
11. POWER AMP. P.C. BOARD RC-589



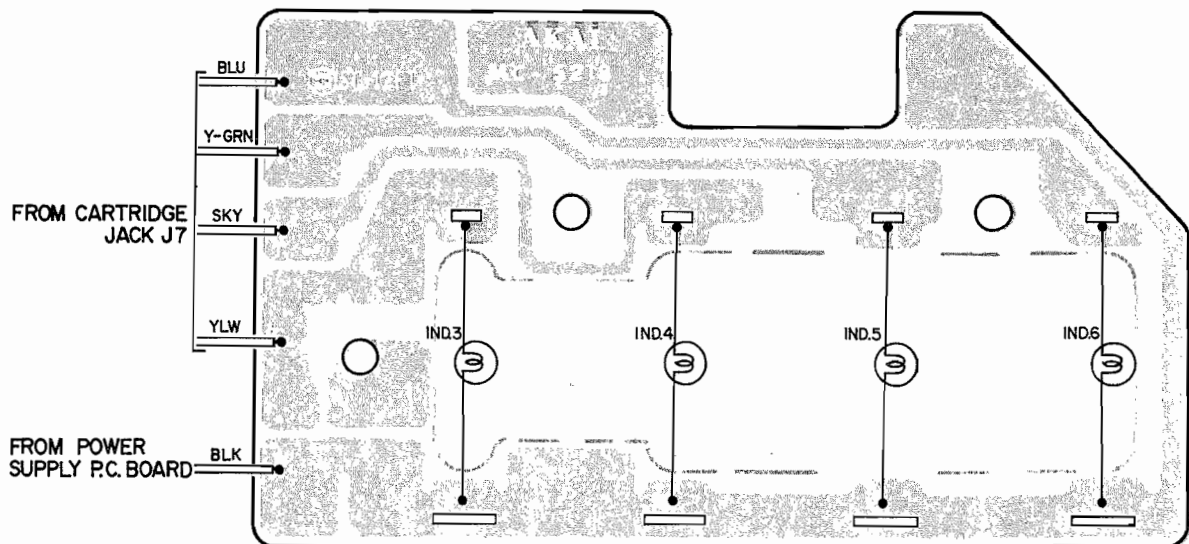
12. PRE AMP. P.C. BOARD MC-5207



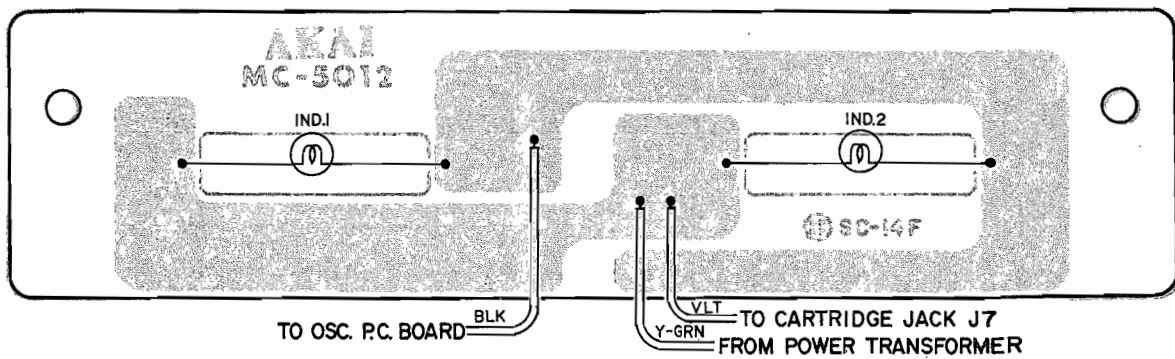
13. POWER TR. P.C. BOARD RC-590



14. LAMP P.C. BOARD MC-5213



15. P.L. P.C. BOARD MC-5012



SECTION 2

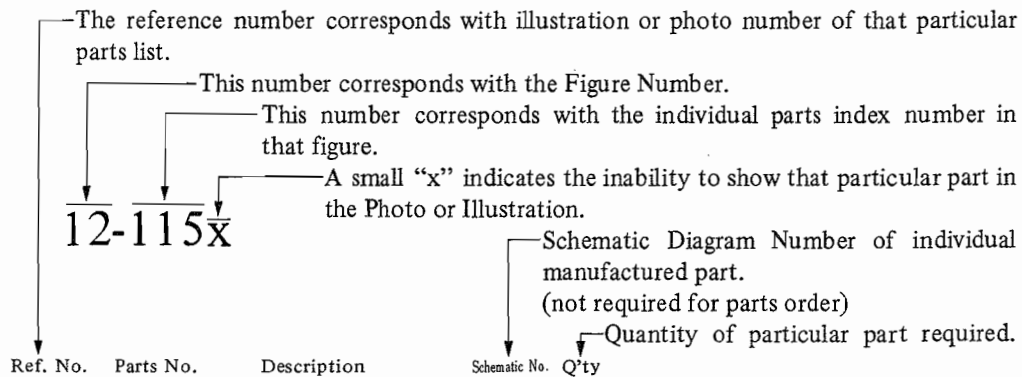
PARTS LIST

TABLE OF CONTENTS

FIG. 1 GX HEAD BLOCK (MC-2)	38
FIG. 2 CARTRIDGE HEAD BLOCK (MC-2)	40
FIG. 3 REEL MOTOR & REEL TABLE BLOCK	42
FIG. 4 MAIN MOTOR (HM2-16MC) BLOCK	44
FIG. 5 FLYWHEEL BLOCK	45
FIG. 6 SWITCH LEVER/HARNESS BLOCK	46
FIG. 7 MECH. ASSEMBLY BLOCK	48
FIG. 8 REC. LEVER BLOCK	51
FIG. 9 CART. P.C. BOARD (MC-3202) BLOCK	52
FIG. 10 SPARK QUENCHER P.C. BOARD (MC-2202) BLCOK	53
FIG. 11 RESISTOR P.C. BOARD (MC-2201) BLOCK	53
FIG. 12 SYS. CON. P.C. BOARD (MC-2205) BLOCK	54
FIG. 13 POWER SUPPLY P.C. BOARD (MC-5208) BLOCK	55
FIG. 14 OSC. P.C. BOARD (MC-5204) BLOCK	56
FIG. 15 EQUALIZER SW. (MC-5206) BLOCK	56
FIG. 16 OUT P.C. BOARD (MC-5031) BLOCK (1820D)	57
FIG. 17 OUT SW. (RC-554) BLOCK	58
FIG. 18 MODE SW. (RC-553) BLOCK	59
FIG. 19 MAIN AMP. P.C. BOARD (RC-589) BLOCK	60
FIG. 20 PRE-AMP. P.C. BOARD (MC-5207) BLOCK	61
FIG. 21 AMPLIFIER ASSEMBLY BLOCK	62
FIG. 22 WOOD CASE BLOCK	65
FIG. 23 FINAL ASSEMBLY BLOCK	66
INDEX	67

HOW TO USE THIS PARTS LIST

1. This parts list is compiled by various individual blocks based on assembly process.
2. When ordering parts, please describe parts number, serial number, and model number in detail.
3. How to read List



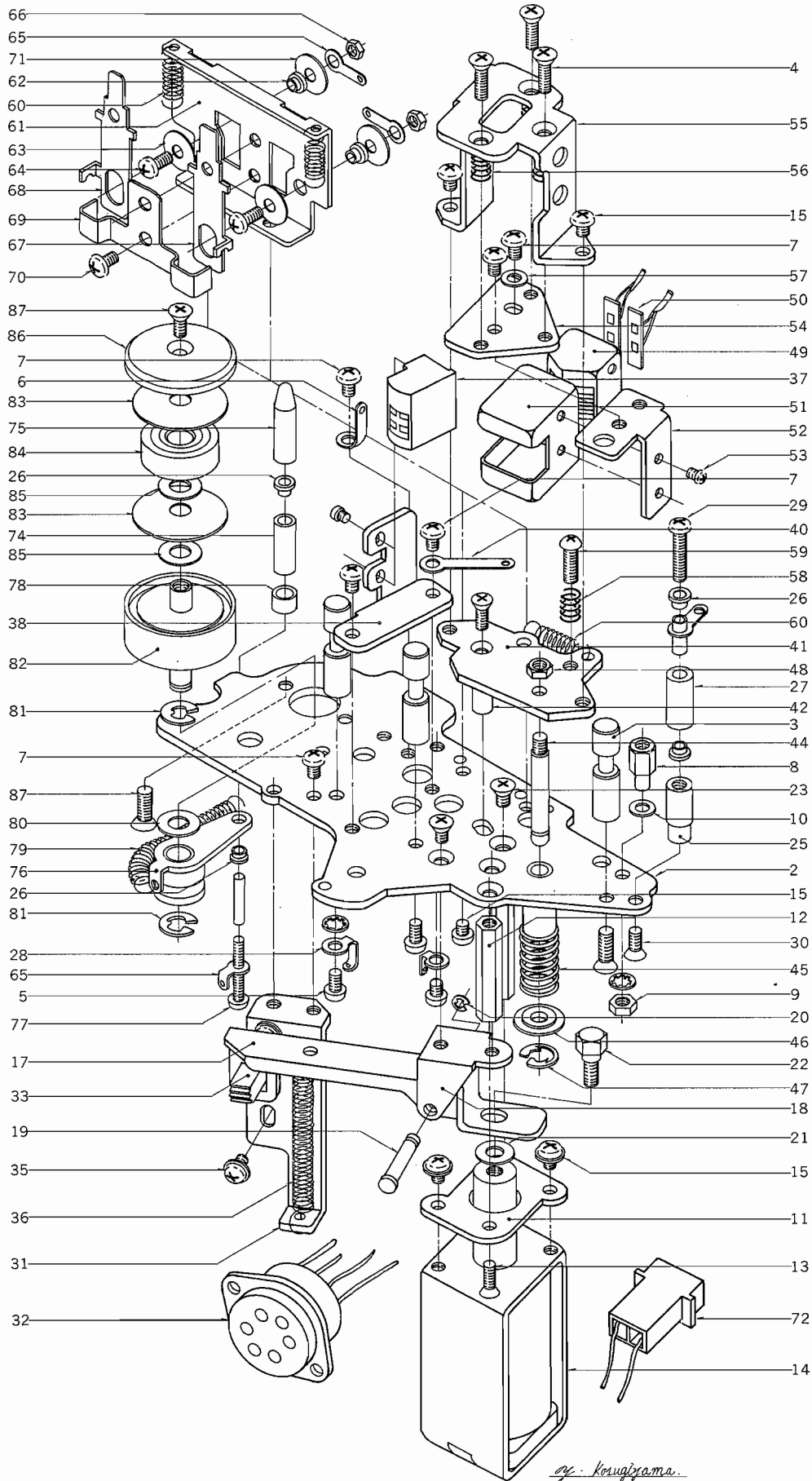
Ref. No.	Parts No.	Description	Schematic No.	Qty
FLYWHEEL BLOCK #13				
12-115x	800425	Flywheel Block Assy. Comp.	RDG # 13	1
12-116	244506	Flywheel Only	RD-233	1
12-117x	244754	Felt, Flywheel	RD-275	1
12-118	251324	Main Metal Case	RD-236	1
12-119	253080	Main Metal	RD-237	1

4. The symbol numbers shown on the P.C. Board list can be matched with the Composite Views of Components of the Schematic Diagram or Service Manual.
5. The indications of Resistors and Capacitors in the photos of P.C. Board are being eliminated.
6. The shape of the parts and parts name, etc. can be confirmed by comparing them with the parts shown on the Electrical Parts Table of P.C. Board.
7. Both the kind of part and installation position can be determined by the Parts Number. To determine where a parts number is listed, utilize Parts Index at end of Parts List.
It is necessary first of all to find the Parts Number. This can be accomplished by using the Reference Number listed at right of parts number in the Parts Index. (meaning of ref. no. outlined in Item 3 above).
8. Utilize separate "Price List for Parts" to determine unit price. The most simple method of finding parts Price is to utilize the reference number.

ELECTRICAL PARTS TABLE

<p>Because the indication of resistors and capacitors in the P.C. Board photos are being eliminated, please confirm parts name and shape by comparing them with the parts shown in this table.</p>	<p>1</p>  <p style="text-align: center;">Solid Resistor</p>	<p>2</p> <p style="text-align: right;">Stopper Type</p>  <p style="text-align: center;">Carbon Resistor</p>	<p>3</p>  <p style="text-align: center;">Metal Oxide Film Resistor</p>
<p>4</p>  <p style="text-align: center;">Cement Resistor</p>	<p>5</p>  <p style="text-align: center;">Wire-Wound Resistor</p>	<p>6</p>  <p style="text-align: center;">Thermister</p>	<p>7</p>  <p style="text-align: center;">Enamel Resistor</p>
<p>1</p>  <p style="text-align: center;">MP Capacitor (Tubular Type)</p>	<p>2</p>  <p style="text-align: center;">Plastic Capacitor</p>	<p>3</p>  <p style="text-align: center;">Mylar Capacitor</p>	<p>4</p>  <p style="text-align: center;">VFM (Hi-Q) Capacitor</p>
<p>5</p>  <p style="text-align: center;">Mylar Capacitor</p>	<p>6</p>  <p style="text-align: center;">Tantalum Capacitor</p>	<p>7</p>  <p style="text-align: center;">Oil Capacitor (Tubular Type)</p>	<p>8</p> <p style="text-align: right;">Vertical Type</p> <p style="text-align: center;">Tubular Type</p>  <p style="text-align: center;">Styrol Capacitor</p>
<p>9</p>  <p style="text-align: center;">Electrolytic Capacitor (Tubular Type)</p>	<p>10</p> <p style="text-align: right;">Vertical Type</p> <p style="text-align: center;">Tubular Type</p>  <p style="text-align: center;">Electrolytic Capacitor</p>	<p>11</p>  <p style="text-align: center;">Ceramic Capacitor</p>	<p>12</p>  <p style="text-align: center;">Metalized Mylar (Paper) Capacitor</p>
<p>13</p>  <p style="text-align: center;">Trimmer Condenser</p>		<p>VR</p>  <p style="text-align: center;">Semi-Fixed Volume</p>	
<p>L</p>  <p style="text-align: center;">Ferri Inductor</p>	<p>TR</p>  <p style="text-align: center;">Transistor</p>		
<p>CR</p>  <p style="text-align: center;">Spark Quencher</p>	<p>D</p>  <p style="text-align: center;">Diode (Silicon, Zener, Germanium)</p>		

FIG. 1 ILLUSTRATION OF GX HEAD BLOCK (MC-2)

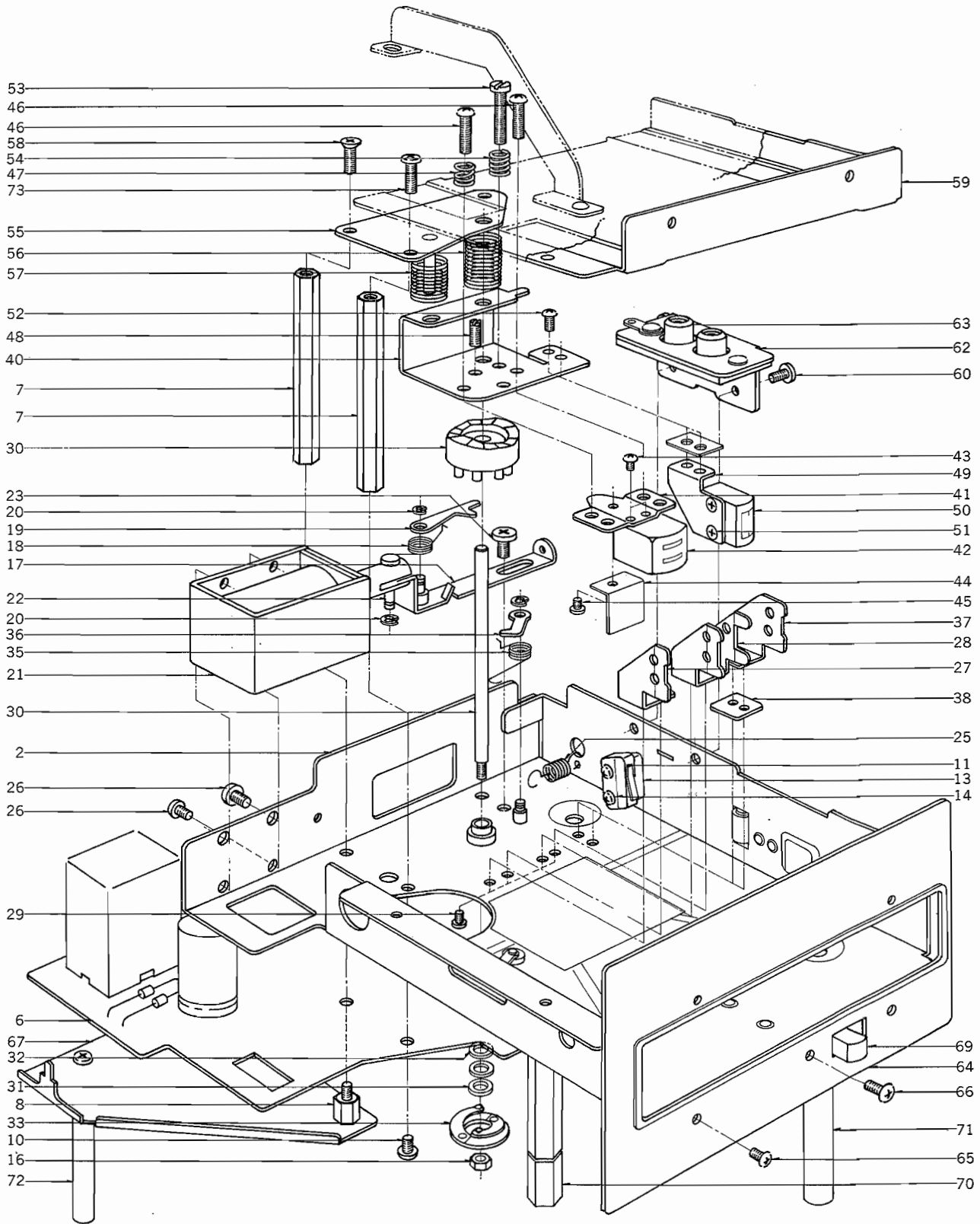


GX HEAD BLOCK (MC-2)

Ref. No.	Parts No.	Description	Schematic No.	Q'ty	Ref. No.	Parts No.	Description	Q'ty
1-1x	BH555390	GX Head Block Comp.	MC2	1	1-84	MV248117	Bearing 635 AHZZ-CIE-B32	1
1-2	HZ541091	Head Base MC-2, w/metal	MC-0201	1	1-85	ZW326463	Washer (PBP)D5.1x10.3x0.2t	1
1-3	HZ317597	Tape Guide A, MR	MR-4	3	1-86	HZ317092	Tape Guide Table B	MR-32 1
1-4	ZS414033	Screw, countersunk head 3x8		4	1-87	ZS414033	Screw, countersunk head 3x8	3
1-5	ZS413741	Screw, binding head 3x8		2				
1-6	ZW562487	Earth Lug M4		1				
1-7	ZS323728	Screw, binding head 3x5		8				
1-8	HZ541170	Panel Support	MC-0209	1				
1-9	ZW273756	Nut M3		1				
1-10	ZW273745	Spring Washer M3		1				
1-11	HZ317698	Plunger Base	RD-21	1				
1-12	HZ317700	Plunger Retaining Prop	MR-6	2				
1-13	ZS432685	Screw, countersunk head 3x6 D=5		2				
1-14	EP318115	Plunger Solenoid RGA 10143	44-1-25	1				
1-15	ZS413223	Screw, binding head 3x5, w/washer		6				
1-16x	HZ474153	Plunger Insulator Plate	MC-0005	1				
1-17	HL317676	Plunger Lever	MR-16	1				
1-18	HZ317687	Lever Support	MR-15	1				
1-19	MH257477	Connecting Pin	RD-211	1				
1-20	ZW270088	'E' Ring 1.9M	6-1-9	1				
1-21	ZW450753	Washer (Nylon)D4.1x9x1t		1				
1-22	ZS317711	Plunger Bolt	MR-17	1				
1-23	ZS329016	Screw, countersunk head 3x8		2				
1-24x	ZS559056	Screw, countersunk head 3x6		2				
1-25	HZ455962	Sensing Collar B	MC-1019	1				
1-26	HZ317632	Insulator Collar A	MR-36	4				
1-27	HZ455973	Sensing Collar A	MC-1018	1				
1-28	ZW273778	Earth Lug M3		2				
1-29	ZW554916	Screw, binding head 2.3x20		1				
1-30	ZS554927	Screw, countersunk head 2.3x5		1				
1-31	HZ317733	Slide SW. Base	MR-18	1				
1-32	EJ365703	Socket 6P	31-1-67	1				
1-33	ES317744	Slide SW. SL-242B4V	25-3-28	1				
1-34x	ZW317801	Toothed Lock Washer M2.6		2				
1-35	ZS372183	Screw, round head 2.6x5		2				
1-36	ZG317766	Plunger Lever Spring	MR-19	1				
1-37	HE563220	ERASE HEAD E4-260		1				
1-38	HZ531540	Erase Head Base B	LF-0002	1				
1-39x	ZS477876	Screw, pan head 2x3		2				
1-40	ZW273767	Earth Lug D3x20L		2				
1-41	HZ531551	Base Plate B	MR-10	1				
1-42	HZ298012	4-TR Hold-down Base Guide	3A-69	1				
1-43x	ZS554938	Screw, countersunk head 2.3x6		1				
1-44	HZ541135	PH Shaft	MC-0205	1				
1-45	ZG317902	PH Spring	MR-13	1				
1-46	ZW317913	Spring Holder	MR-12	1				
1-47	ZW290283	'U' Ring 2.85M	6-1-1	1				
1-48	ZW554940	Nut M3		1				
1-49	HP462554	PB. HEAD P4-201		1				
1-50	EA463206	Terminal P.C. Board A	RD-A36	2				
1-51	HZ411017	Head Shield Case	LF-0005	1				
1-52	HZ541124	Head Mt. Angle	MC-0204	1				
1-53	ZS460440	Screw, pan head 2x4		2				
1-54	HZ541113	Angle Base	MC-0203	1				
1-55	HZ541102	Base Angle	MC-0202	1				
1-56	ZG317968	Angle Spring	MR-14	3				
1-57	ZW430863	Washer (SPC)D3.3x6x0.5t		1				
1-58	ZG466312	Angle Adjust Spring E	BS-0018	1				
1-59	ZS425114	Screw, round head 3x10		1				
1-60	ZG317777	Pull Spring	MR-47	3				
1-61	HZ541146	D.S Base	MC-0206	1				
1-62	MZ316822	Insulator Collar B	MR-225	2				
1-63	HZ542092	Insulated Washer	MC-0213	2				
1-64	ZS464692	Screw, binding head 2.3x6		2				
1-65	ZW316800	Earth Lug M2.6		3				
1-66	ZW273688	Nut M2.3		2				
1-67	HL541168	D.S Lever A	MC-0208	1				
1-68	HL542687	D.S Lever B	MC-0208	1				
1-69	HL541157	D.S Lever Support	MC-0207	1				
1-70	ZS417137	Screw, binding head 3x4		2				
1-71	ZW563218	Washer (Bake)D3.2x10x1t		2				
1-72	EJ452340	Mate-N-Lock Cap Housing 2P	170924-1	52-1-17 1				
1-73x	EJ554951	Pin Contact 60510-1	52-1-1	2				
1-74	HZ541181	Sensing Post B	MC-0210	1				
1-75	HZ318047	Sensing Collar A	MR-35	1				
1-76	HZ318036	Tension Arm, w/pulley	MR-37	1				
1-77	ZS554962	Screw, pan head 2.3x25		1				
1-78	HZ467010	Cushion Rubber, MC	MC-0004	1				
1-79	ZG317114	Tension Lever Spring	MR-39	1				
1-80	ZW259885	Washer (PBP)D5.1x10.3x0.1t		1				
1-81	ZW270123	'E' Ring 4M	6-1-9	2				
1-82	HZ547751	Tape Guide A, w/shaft	MU-0015	1				
1-83	ZW231805	Tape Guide Washer (large)	3A-356	2				

When ordering parts, please describe Parts Number, Serial Number, and Model Number in detail.

FIG. 2 ILLUSTRATION OF CARTRIDGE HEAD BLOCK (MC-2)

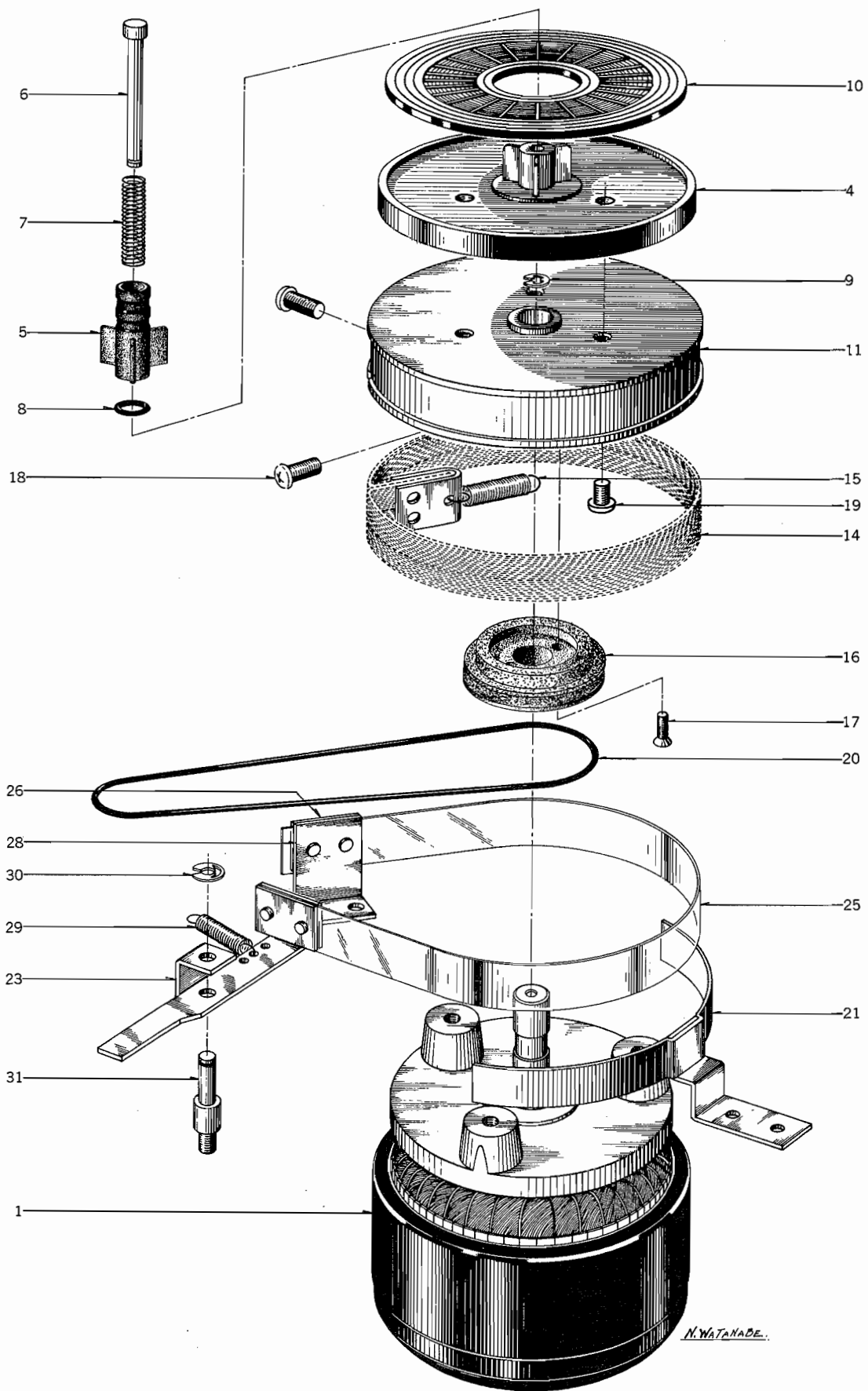


CARTRIDGE HEAD BLOCK (MC-2)

Ref. No.	Parts No.	Description	Schematic No.	Q'ty
2-1x	BH555401	Cartridge Head Block Comp.(MC-2)		1
2-2	HZ248073	Base Frame Comp.	RC-1	1
2-3x	HZ399317	Side Plate Spring A Comp.(Side)	RC-139	1
2-4x	HZ399328	Side Plate Spring B Comp.(Base)	RC-139	1
2-5x	HZ222658	Side Bush (Nylon)	RC-25	1
2-6	BA555412	Cart. P.C. Board(MC-3202)Comp.		1
2-7	HZ225213	Hold-down Table Prop	RC-68	3
2-8	ZS308597	Holder Screw	RC-82	1
2-9x	ZW273802	Toothed Lock Washer M3		1
2-10	ZS413818	Screw, round head 3x8		2
2-11	ES250020	Micro SW. S-1AL	25-1-9	1
2-12x	HZ243191	Pin Contact 60511-1	52-1-1	3
2-13	HZ225573	SW. Insulator Table	3A-129	1
2-14	ZS303625	Screw, pan head 2.3x16		2
2-15x	ZW269785	Toothed Lock Washer M2.3		5
2-16	ZW273688	Nut M2.3		3
2-17	HL246813	Pull Lever, w/boss A	RC-18	1
2-18	ZG244394	Hook Spring	RC-39	1
2-19	HZ218362	Crown Hook	RC-21	1
2-20	ZW270088	'E' Ring 1.9M	6-1-9	3
2-21	EP369685	Plunger Solenoid 840N 18Ω69L	44-1-28	1
2-22	ZW303682	Plunger Lever Pin	RX-291	1
2-23	ZS220061	Graduated Screw (small)	RC-19	1
2-24x	ZW556650	Nut M2.3		1
2-25	ZG256926	Lever Spring	RC-38	1
2-26	ZW560182	ISO Screw, pan head 3x5		4
2-27	HZ231862	Tape Guide A	RC-71	1
2-28	HZ231917	Tape Guide D	RC-74	1
2-29	ZS202296	Screw, round head 2.3x5		4
2-30	HZ218272	Crown Cam, w/shaft	RC-11A	1
2-31	ZW259738	Washer(Polyslider)D4.1x7x0.25t		1
2-32	ZW345442	Washer(Nylon)D4.2x9x1t		2
2-33	HZ390960	SW. Base Comp.	RC-84	1
2-34x	ZW259650	Washer (PBP)D3x5x0.2t		1
2-35	ZG226708	Stopper Spring	RC-40	1
2-36	HZ218327	Crown Stopper	RC-20	1
2-37	HZ223920	Tape Guide, Erase	RC-67	1
2-38	HZ229026	Insulator Bush	RC-77	1
2-39x	ZS202307	Screw, round head 2.3x6		2
2-40	HZ275567	Hold-down Base, RC (w/boss)	RC-64	1
2-41	HZ258456	Rec. Head Mt. Plate	RC-63	1
2-42	HP258265	REC./PB. HEAD P8-1	700441	1
2-43	ZS202353	Screw, round head 2x2		2
2-44	HZ303750	8T Head Back Shield	RC-78	1
2-45	ZS365940	Screw, binding head 2.3x3		1
2-46	ZS336868	Screw, round head 3x12		2
2-47	ZG303300	Angle Adjust Spring B	RD-55	1
2-48	ZS437883	Set Screw 3x8(cup/p.)		2
2-49	HZ224166	Erase Head Retaining Plate	RC-65	1
2-50	HE224122	ERASE HEAD E8-1	700756	1
2-51	ZS371777	Screw, countersunk head 2x3		2
2-52	ZS202285	Screw, round head 2.3x4		2
2-53	ZS256476	Lifter Screw	RC-10	1
2-54	ZG303761	ST Spring	RC-76	1
2-55	HZ253620	Metal Base, w/prop	RC-66	1
2-56	ZG309745	RC Hold-down Spring A	RC-69	1
2-57	ZG309756	Hold-down Spring B, RC	RC-69	1
2-58	ZS200417	Screw, countersunk head 3x6		2
2-59	HZ258030	Lower Frame, w/plate	RC-2	1
2-60	ZS447772	Tapping Screw #2 3x6(BR)		5
2-61x	ZW273778	Earth Lug M3		1
2-62	HZ437894	Jack Holder, 2P	MC-3002	1
2-63	EJ295953	Jack, 2P Pin	31-1-36	1
2-64	HZ479632	Gate (MC)	MC-0006	1
2-65	ZS464815	Tapping Screw #2 2.6x6(truss)		3
2-66	ZS304784	Screw, truss head 3x10		2
2-67	HZ540731	Cart. Holder	MC-3201	1
2-68x	ZW273756	Nut M3		1
2-69	ES227902	Slide SW. ESS-22C-NB	25-3-5	1
2-70	MH437635	Cart. Frame Prop B	MC-1002	1
2-71	MH305414	Cart. Frame Round Prop	RC-133	2
2-72	MH305460	Cart. Relay Prop	RC-135	1
2-73	ZS328577	Screw, binding head 3x8, w/washer		1

When ordering parts, please describe Parts Number, Serial Number, and Model Number in detail.

FIG. 3 ILLUSTRATION OF REEL MOTOR & REEL TABLE BLOCK

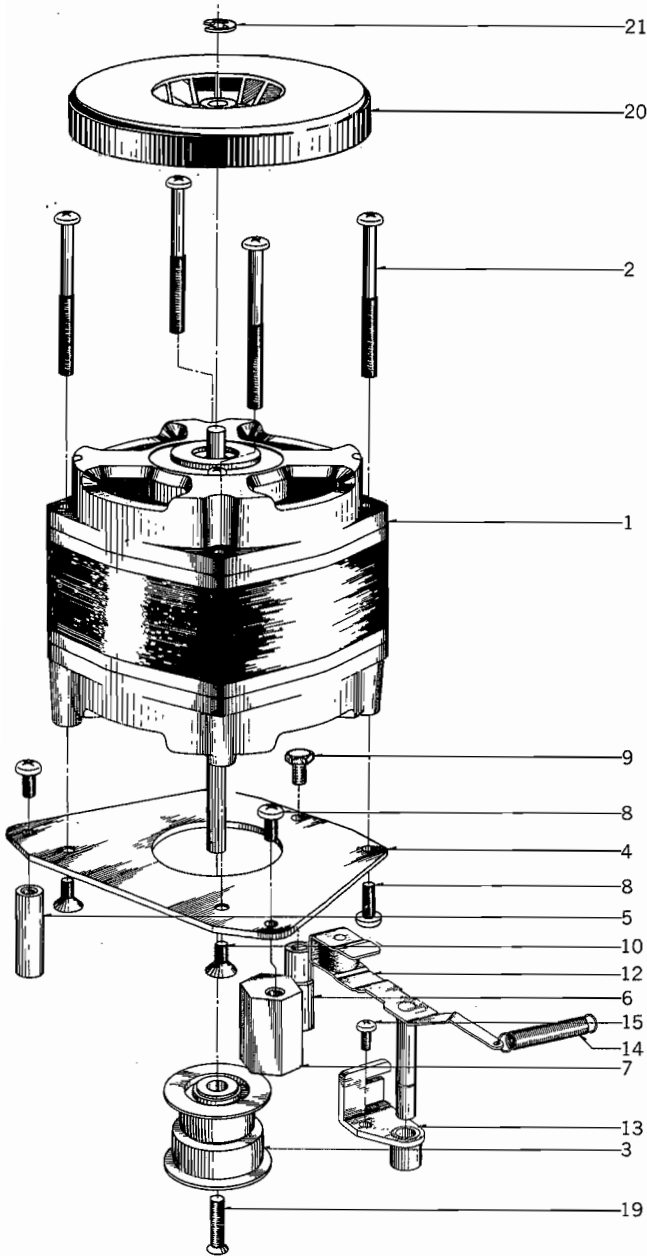


REEL MOTOR & REEL TABLE BLOCK

Ref. No.	Parts No.	Description	Schematic No.	Q'ty
3-1	BM314741	Reel Motor (24XO-2) Block Comp.	MC,MS,KD	1
3-2x	BR317395	Supply Reel Table Block Comp.	MC,MU,MR	1
3-3x	BR448110	Take-up Reel Table Block Comp.	MC	1
3-4	MT317441	Reel Table, MR	MR-215	2
3-5	MT255420	Reel Retainer	3R-102	2
3-6	MS342000	Reel Shaft	3R-108	2
3-7	ZG255633	Reel Spring	3R-109	2
3-8	MT297663	3R 'O' Ring 2.9x1.65M	3R-139	2
3-9	ZW270088	'E' Ring 1.9M	6-1-9	2
3-10	MT317463	Reel Table Rubber, MR	MR-250	2
3-11	MT317452	Brake Drum (R) (Take-up)	MR-216	1
3-12x	MT325473	Brake Drum (L) (Supply)	MR-216	1
3-13x	ZW273778	Earth Lug M3		2
3-14	MT436860	Brake Cloth Comp.	MR-269	2
3-15	ZG317496	Felt Tension Spring	MR-260	2
3-16	MR426958	Counter Pulley (Take-up)	MS-6012	1
3-17	ZS433315	Screw, countersunk head 2.3x8 (Take-up)		2
3-18	ZS424056	Screw, pan head 4x10		4
3-19	ZS413785	Screw, binding head 3x12		6
3-20	MB527556	Counter Belt D93x1.5	ND-1022	1
3-21	MZ317406	Brake Band Guide, w/base	MR-120	2
3-22x	ZS323728	Screw, binding head 3x5		6
3-23	ML314976	Brake Lever A (Take-up)	MR-210	1
3-24x	ML396810	Brake Lever B (Supply)	KD-1038	1
3-25	MT314987	Brake Band	MR-213	2
3-26	MZ314998	Brake Band Retaining Plate	MR-212	4
3-27x	ZS417137	Screw, binding head 3x4		8
3-28	MZ315000	Brake Band Support	MR-214	2
3-29	ZG315011	Brake Lever Spring	MR-116	2
3-30	ZW290283	'U' Ring 2.85M	6-1-1	2
3-31	MH317373	Brake Lever Prop	MR-102	2
3-32x	ZW416698	Nut M4		2
3-33x	ZS427048	Screw, round head 3x3		2

When ordering parts, please describe Parts Number, Serial Number, and Model Number in detail.

**FIG. 4 ILLUSTRATION OF MAIN MOTOR
(HM2-16MC) BLOCK**

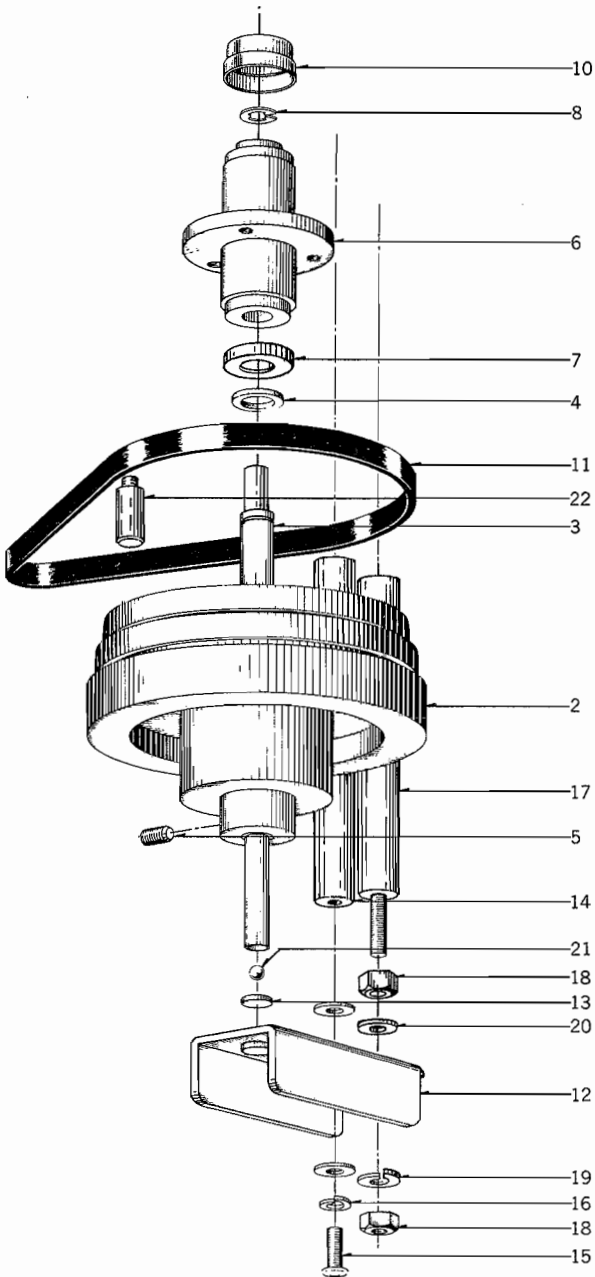


MAIN MOTOR (HM2-16MC) BLOCK

Ref. No.	Parts No.	Description	Schematic No.	Qty
MAIN MOTOR BLOCK				
4-1	BM555355	Main Motor (HM2-16MC) Block	Comp. MC-2	1
4-2	ZS520593	Screw, pan head 4x52, w/washer (15M)		4
4-3	MR540876	Motor Pulley	MC-7201	1
4-4	MZ316293	Motor Mt. Plate, MR	MR-717	1
4-5	MH254160	Motor Prop A	24X-730	1
4-6	MZ254182	Motor Prop B	24X-731	1
4-7	MH316304	Motor Prop, MR	MR-706	1
4-8	ZS424056	Screw, pan head 4x10		4
4-9	ZS272395	Motor Prop Retaining Screw, M-7	24X-732	1
4-10	ZS427026	Screw, countersunk head 4x10		2
BELT CHANGE LEVER BLOCK				
4-11x	BL555344	Belt Change Lever Block Comp.	MC-2, MU	1
4-12	ML540990	Belt Change Lever, w/roller	MC-1207	1
4-13	ML541001	Belt Change Lever Stopper, w/metal	MC-1208	1
4-14	ZG217337	Belt Return Spring	4TR-224	1
4-15	ZS417150	Screw, pan head 4x6		1
4-16x	ZG217394	Belt Change Spring B	MH-125	1
4-17x	ZW260054	Washer (SUP) D6.1x10x0.25t		1
4-18x	ZW290283	'U' Ring 2.85M	6-1-1	1
4-19	ZS203016	Screw, oval countersunk head 3x15		1
4-20	ZS529108	Main Motor Fan	ND-7010	1
4-21	ZW270123	'E' Ring 4M	6-1-9	1

When ordering parts, please describe Parts Number, Serial Number, and Model Number in detail.

**FIG. 5 ILLUSTRATION OF FLYWHEEL
BLOCK**

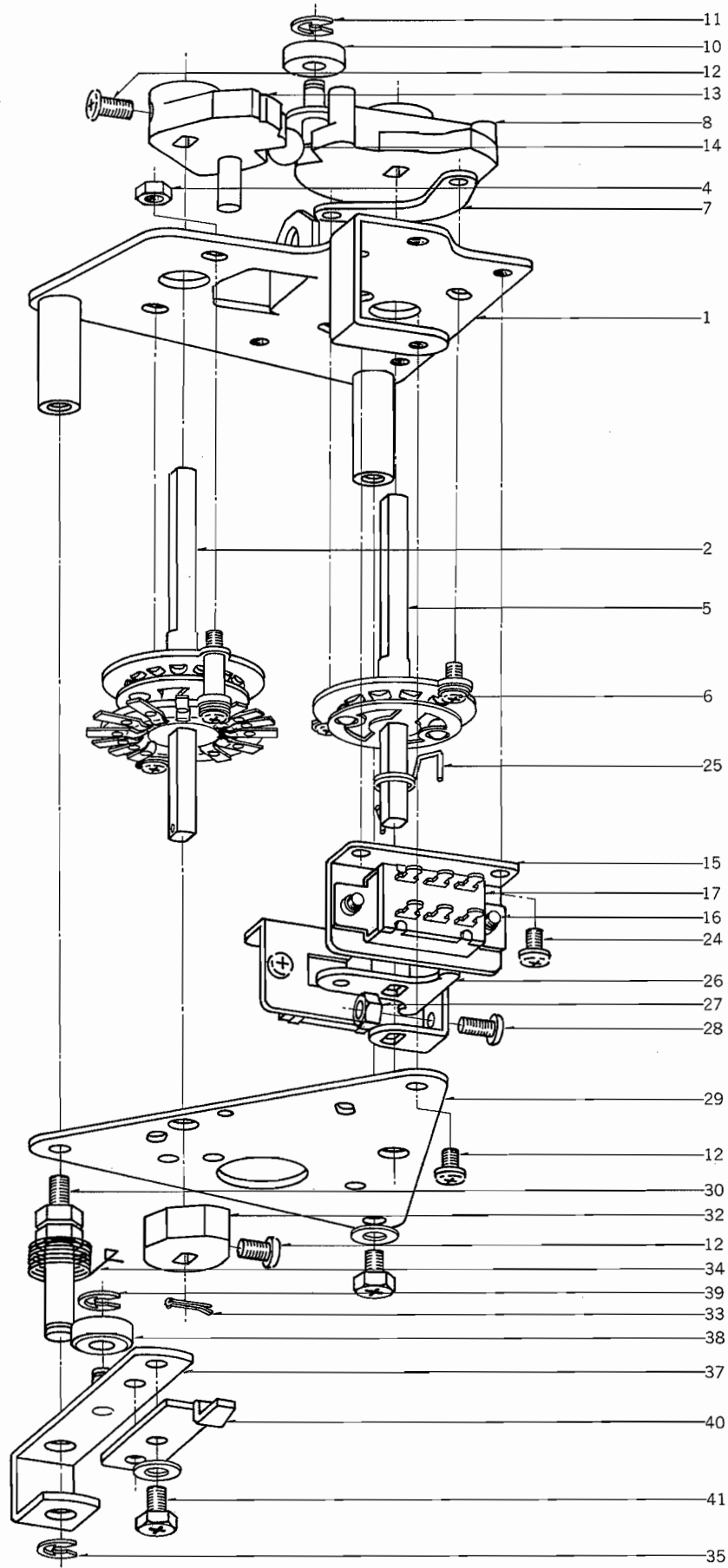


FLYWHEEL BLOCK

Ref. No.	Parts No.	Description	Schematic No.	Qty
5-1x	BF436961	Flywheel Block Comp.	MC	1
5-2	MI275692	Flywheel, RC	RC-103	1
5-3	MS437782	Main Shaft	MC-2005	1
5-4	ZW437804	Flywheel Thrust A D7.9x13x1t	101024	1
5-5	ZS373577	Set Screw, hexagon socket		2
		5x6 (flat/p.)		
5-6	BZ437793	Main Case, MC Comp.	MC-2007	1
5-7	MZ446635	Thrust Cap, Main Metal B2	LF-2006	1
5-8	ZW244710	Flywheel Fixing Pin	900-250	1
5-9x	MZ244113	Felt D12.5x16x2t		1
5-10	MZ253113	Main Metal Cap B	MH-208	1
5-11	MB541012	Drive Belt (flat) D116.9x1.6x7	MC-1209	1
5-12	MZ437692	Flywheel Supporting Base, MC	MC-1012	1
5-13	ZW392681	Washer(Nylon)D8x1t(without Hole)		1
5-14	MH308575	Wheel Prop	RC-137	1
5-15	ZS413201	Screw, pan head 4x8		1
5-16	ZW273914	Spring Washer M4		2
5-17	MH308586	Wheel Screw Prop	RC-136	1
5-18	ZW413280	Inch Nut 1/4" (mountain 20)		2
5-19	ZW393232	Spring Washer 1/4"		1
5-20	ZW413998	Washer (SUP)D6.8x12.7x1t		1
5-21	MV269965	Steel Ball D4		1
5-22	MV248343	Belt Guide Pin	4TR-109	1

When ordering parts, please describe Parts Number, Serial Number, and Model Number in detail.

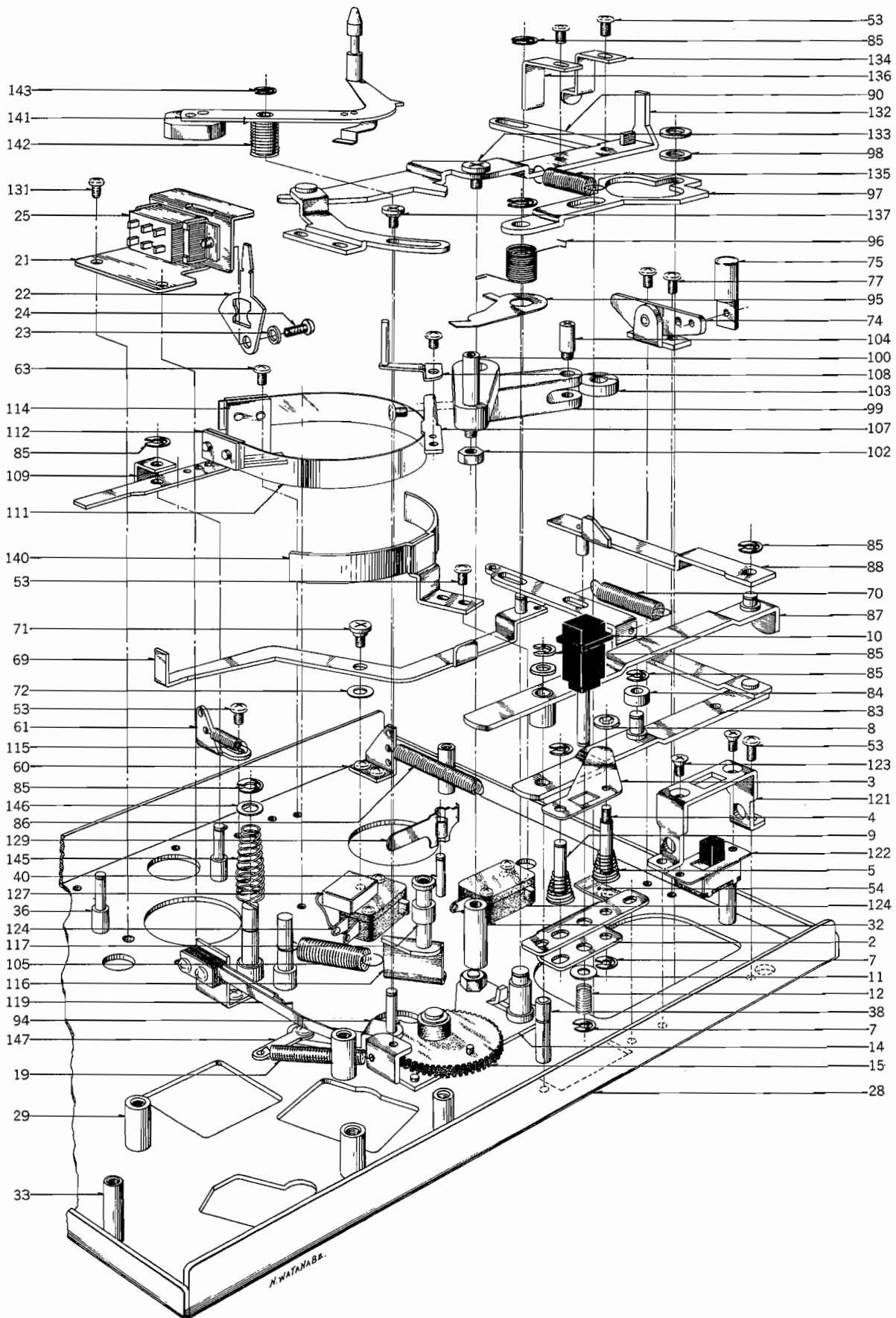
FIG. 6 ILLUSTRATION OF SWITCH LEVER/HARNESS BLOCK

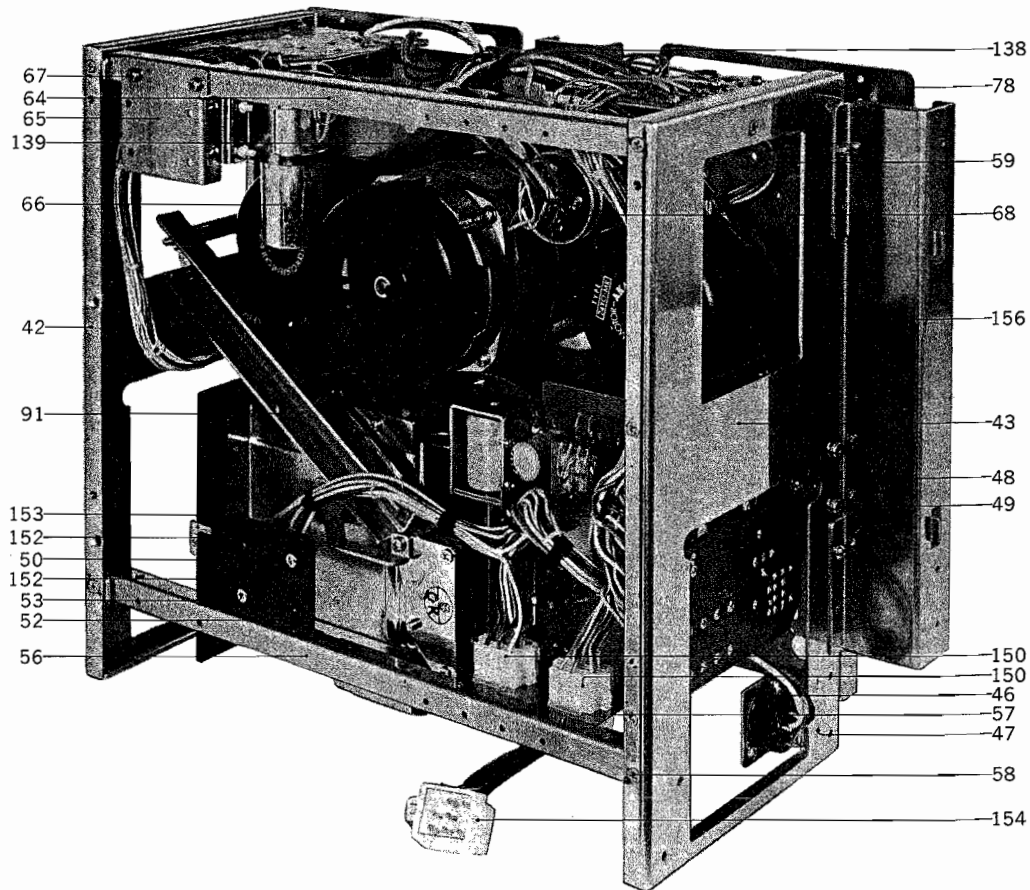


SWITCH LEVER/HARNESS BLOCK

Ref. No.	Parts No.	Description	Schematic No.	Q'ty
SWITCH, HARNESS BLOCK				
6-1	MZ436397	SW. Table A, w/prop	MC-2001	1
6-2	ES316923	Play Shaft (Y type) Y-133	25-8-6	1
6-3x	ZW460157	Washer (SPC)D3.1x8x0.8t		2
6-4	ZW273756	Nut M3		2
6-5	ES437501	Rewind Shaft (X type), MC	25-8-8	2
6-6	ZS413728	Screw, binding head 3x6, w/washer		2
6-7	MZ316945	Nut Plate	MR-245	1
6-8	MZ316956	Cam A-3, w/plate	MR-242	1
6-9x	ZW259942	Washer (Fiber)D5.1x10.3x0.5t		1
6-10	MR269730	Cam Roller D12	900-213	1
6-11	ZW290283	'U' Ring 2.85M	6-1-1	1
6-12	ZS413201	Screw, pan head 4x8		5
6-13	MZ405483	Cam B-1, w/tap	900-206	1
6-14	MV270066	Steel Ball D8		1
6-15	MZ436375	SW. Retaining Table	MC-2003	2
6-16	ZS371856	ISO Screw, binding head 3x5		6
6-17	ES479485	Slide SW. S-1	25-3-66	2
6-18x	MZ436386	Connector Mt. Base	MC-1007	2
6-19x	EJ368785	Multi-jack 14P 3250-014-001	31-4-14	1
6-20x	EJ300508	Mate-N-Lock Plug Housing 9P		
		1-480274-0	52-1-7	2
6-21x	EJ229353	Socket Contact 60510-1	52-1-1	17
6-22x	ES479485	Slide SW. S-1	25-3-66	2
6-23x	EZ549167	Cycle Change SW. Plate A-1	KD-2043	1
6-24	ZS323728	Screw, binding head 3x5		8
6-25	ZG436443	SW. Spring MC	MC-2004	1
6-26	MZ317024	SW. Cam	MR-204	1
6-27	ZW416698	Nut M4		1
6-28	ZS413234	Screw, pan head 4x12		1
6-29	MZ225720	SW. Table B-2	M9-308	1
6-30	MZ226001	SW. Lever Prop	900-211	1
6-31x	ZW260087	Washer (Fiber)D6.1x10x0.5t		1
6-32	MZ206515	Amp. SW. Cam	900-208	1
6-33	MH260425	Cotter Pin 1x10		1
6-34	ZG227564	Spring H	900-120	1
6-35	ZW290283	'U' Ring 2.85M	6-1-1	1
SWITCH LEVER BLOCK				
6-36x	BL304997	SW. Lever Block Comp.	#6	1
6-37	ML226080	SW. Lever A, w/shaft	900-255	1
6-38	MR217203	Cam Roller A (Nylon)D12	900-153	1
6-39	ZW290283	'U' Ring 2.85M	6-1-1	1
6-40	ML309284	Rec. Lever B	RC-201	1
6-41	ZS437545	Hexagon Bolt 4x7, w/washer		2

FIG. 7 ILLUSTRATION OF MECH. ASSEMBLY BLOCK





MECH. ASSEMBLY BLOCK

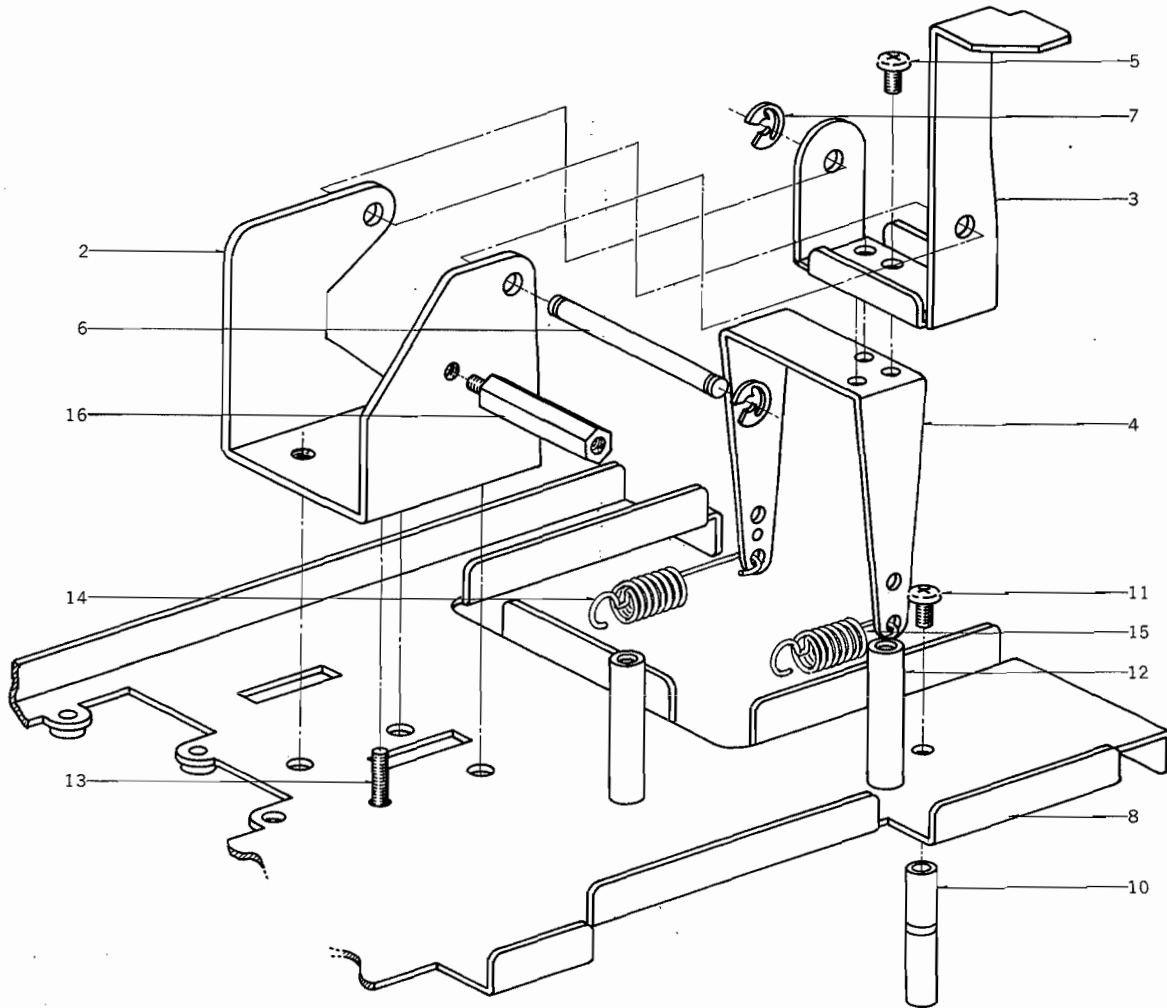
Ref. No.	Part. No.	Description	Schematic No.	Q'ty	Ref. No.	Part. No.	Description	Schematic No.	Q'ty
REC. BUTTON BLOCK					MECH. ASSEMBLY BLOCK				
7-1x	BZ314820	Rec. Button Block Comp.	MC,MS,MR	1	7-28	MZ541214	Mech. Frame MC-2, w/pin	MC-1201	1
7-2	MZ316708	Stopper Table	MR-219	1	7-29	MH247533	Head Prop E	100012	3
7-3	MZ316710	Cam Stopper	MR-220	1	7-30x	ZS413201	Screw, pan head 4x8		2
7-4	MS316721	Stopper Shaft	MR-221	1	7-31x	ZS414044	Screw, countersunk head 4x8		1
7-5	ZG316732	Cone Spring	MR-244	2	7-32	MS317362	Pinch Roller Arm Shaft	MR-125	1
7-6x	ZW322525	Washer (PBP)D4.1x7x0.2t		1	7-33	MH273295	Mech. Panel Prop, M-9	M9-302	3
7-7	ZW290283	'U' Ring 2.85M	6-1-1	3	7-34x	ZS421806	Screw, pan head 3x8		2
7-8	ZW432944	Push Nut 3x10x0.3t		1	7-35x	ZS413741	Screw, binding head 3x8		3
7-9	MS316776	Stopper Shaft B	MR-259	1	7-36	MH317373	Brake Lever Prop	MR-102	2
7-10	SB316754	Rec. Button	MR-222	1	7-37x	ZW416698	Nut M4		2
7-11	ZW259830	Washer (SPC)D4.5x9.8x0.5t		1	7-38	MS260515	A Lever Shaft	900-126	1
7-12	ZG316765	Rec. Button Spring	MR-252	1	7-39x	ZW413267	Flange Nut M4		1
ECCENTRIC GEAR BLOCK					7-40	MS250536	Micro Lever Shaft	3A-239	1
7-13x	BZ248027	Eccentric Gear Block Comp.	MC,MU,MR,MS1		7-41x	ZW273688	Nut M2.3		1
7-14	MZ248016	Eccentric Gear Table, w/shaft	4TR-243	1	7-42	MZ468382	Side Plate A (Right)	MC-2014	1
7-15	MZ248005	Eccentric Gear	4TR-245	1	7-43	MZ468393	Side Plate B (Left)	MC-2014	1
7-16x	ZW861344	Washer (PBP)D6.1x10x0.4t		1	7-44x	ZS468112	Tapping Screw #2 4x8(truss)		4
7-17x	ZW260144	Washer (Nylon)D6.1x10x0.3t		1	7-45x	ZW563207	Tapping Screw #2 4x10 (countersunk)		4
7-18x	ZW290283	'U' Ring 2.85M	6-1-1	1	7-46	MZ541023	6P Holder	MC-1210	1
7-19	ZG437253	Eccentric Gear Return Spring	MS-2022	1	7-47	ZS418858	Screw, countersunk head 3x5 D=5		6
SPEED CHANGE BLOCK					7-48	MZ468404	Sys. Con. Holder	MC-2015	1
7-20x	BZ555366	Speed Change Block Comp.	MC-2	1	7-49	ZS800190	Screw, binding head 3x5, w/washer		6
7-21	ML541192	SW. Base	MC-1202	1	7-50	EZ397124	Frequency Change SW. Plate B	KD-1055	1
7-22	ML541203	SW. Lever	MC-1203	1	7-51x	SE479823	SW. Mask, MC	MC-1020	1
7-23	MZ540966	SW. Collar	MC-1204	1	7-52	MZ436432	Cycle Change Plate	MC-1009	1
7-24	ZS323728	Screw, binding head 3x5		1	7-53	ZS323728	Screw, binding head 3x5		25
7-25	ES554837	Slide SW. JS-04	25-3-73	1	7-54	MZ217697	Pause Lever Stopper Plate	M9-113	1
7-26x	ZS371856	ISO Screw, binding head 3x5		2	7-55x	MZ256814	Rewind Shaft Spacer	M9-124	2
7-27x	SE540865	SW. Mask	MC-6211	1	7-56	MZ436588	Reinforcement Plate A	MC-1005	1
					7-57	MZ437657	Connector Mt. Plate	MC-1008	1
					7-58	ZS424124	Screw, countersunk head 3x5		6
					7-59	EJ315101	Nylon Clip HP-4N	2-7-38	2

When ordering parts, please describe Parts Number, Serial Number, and Model Number in detail.

Ref. No.	Part. No.	Description	Schematic No.	Q'ty				
7-60	MZ227340	Spring Rack B	900-172	1	7-137	ZS207314	Amp. Lever Set Screw	3A-737 1
7-61	MZ314605	Spring Rack, MR	MR-104	2	7-138	MC554826	Counter MP-490-18	9-1-28 1
7-62x	ZS202116	Screw, binding head 3x5, w/lug		1	7-139	MB527556	Counter Belt D93x1.5	ND-1022 1
7-63	ZS427048	Screw, round head 3x3		6	7-140	MZ317406	Brake Band Guide, w/base	MR-120 2
7-64	MZ530537	Reinforcement Plate C	MC-1005	1	7-141	BL316484	AS Lever Block Comp.	MC,MS,MR 1
7-65	MZ447366	Capacitor Retaining Base	MC-1017	1	7-142	ZG260706	AS Lever Spring	4TR-118 1
7-66	EC554804	MP/C. 2+1μF 250WVAC(Lug type Uni/D.)	24-9-81	1	7-143	ZW290294	'U' Ring 2.85M	6-1-1B 1
7-67	ZS413223	Screw, binding head 3x5, w/washer		6	7-144x	MP271170	Pinch Roller, LC D=38	LC-321 1
7-68	EC520626	MP/C. (3+1)μF 250WVAC(Lug type Uni/D.)	24-9-74	1	7-145	ZG217394	Belt Change Spring B	MH-125 1
7-69	ML314684	Brake Lever C, w/pin	MR-227	1	7-146	ZW260054	Washer (SUP)D6.1x10x0.25t	52-1-1 1
7-70	ZG314706	Spring IB	MR-115	1	7-147	ZS202116	Screw, binding head 3x5,w/lug	1
7-71	ZS314717	Graduated Screw, MR	MR-254	1	7-148x	MZ436386	Connector Mt. Base	MC-1007 2
7-72	ZW432347	Washer(Luminar)D6.2x13x0.125t		1	7-149x	EJ368785	Multi-jack 14P 3250-014-001	31-4-14 1
7-73x	ZW273756	Nut M3		1	7-150	EJ300508	Mate-N-Lock Plug Housing 9P	52-1-7 2
7-74	ML226258	Start Lever A,w/lever B-2	4TR-122	1	7-151x	EJ229353	Socket Contact 60510-1	52-1-1 17
7-75	SB425777	Start Button D	MS-1002	1	7-152	ES479485	Slide Switch S-1	25-3-66 2
7-76x	ZW314728	Cotter Pin 1.6x8		2	7-153	EZ549167	Cycle Change SW. Plate A-1	KD-2043 1
7-77	ZS425788	Screw, round head 3x4		1	7-154	EJ450573	Mate-N-Lock Cap Housing 9P	52-1-7 1
7-78	MZ437308	Frame Top Member, MC	MS-6011	1	7-155x	EJ243191	Pin Contact 60511-1	52-1-1 9
7-79x	ZS200700	Tapping Screw #2 4x8(round)		2	7-156	SZ540898	Sash Angle C	MC-6212 2
7-80x	ZW330412	Adjust Washer(U)D4x13x0.13t		1				
7-81x	ZW330423	Adjust Washer(U)D4x13x0.25t		1				
7-82x	ZW330445	Adjust Washer(U)D4x13x0.8t		1				
7-83	ML314763	Lever B, MR (w/D lever)	MR-122	1				
7-84	MR314785	Cam Roller D9	MR-237	1				
7-85	ZW290283	'U' Ring 2.85M	6-1-1	6				
7-86	ZG314818	D Lever Spring	MR-114	1				
7-87	ML334506	Lever A, MR (w/metal)	MR-126	1				
7-88	ML314842	C Lever, MR (w/pin)	MR-108	1				
7-89x	ZW419826	Washer (Fiber)D6.2x10x1t		2				
7-90	ML314864	IB Lever	MR-111	1				
7-91	MZ437692	Flywheel Supporting Base, MC	MC-1012	1				
7-92x	EZ207314	Amp. Lever Set Screw	3A-737	1				
7-93x	ZW259885	Washer(PBP)D5.1x10.3x0.1t		1				
7-94	MZ549426	AS Lever Prop Table B,w/prop	MC-1214	1				
7-95	MZ218125	Gear Stopper	4TR-120	1				
7-96	ZG226697	Stopper Spring	4TR-121	1				
7-97	ML228868	Auto. Mech. Control Lever	4TR-125	1				
7-98	ZW260087	Washer (Fiber)D6.1x10x0.5t		1				
7-99	ML447478	Pinch Roller Lever, MC	MR-119	1				
7-100	MS243404	Pinch Roller Shaft C	4TR-102	1				
7-101x	ZW259975	Washer (SUP)D5.1x10.3x0.8t		1				
7-102	ZW416698	Nut M4		1				
7-103	MR269763	Cam Roller D13	900-154	1				
7-104	MS217192	Cam Roller Shaft A	900-130	1				
7-105	ZG455692	Pinch Roller Spring, MS	MS-1015	1				
7-106x	ZW314943	Washer (Nylon)D8	MR-113	1				
7-107	ML314954	Shifter Lever A	MR-117	1				
7-108	ML549213	Shifter Lever B, w/pin	MC-1215	1				
7-109	ML314976	Brake Lever A (Take-up)	MR-210	1				
7-110x	ML396810	Brake Lever B (Supply)	KD-1038	1				
7-111	MT314987	Brake Band	MR-213	2				
7-112	MZ314998	Brake Band Retaining Plate	MR-212	4				
7-113x	ZS417137	Screw, binding head 3x4		8				
7-114	MZ315000	Brake Band Support	MR-214	2				
7-115	ZG315011	Brake Lever Spring	MR-116	2				
7-116	HZ315077	Reverse Guide Base, w/prop	MR-229	1				
7-117	HZ315090	Reverse Guide	RD-225	1				
7-118x	ZS344463	Set Screw, hexagon socket 4x6(cup/p.)		1				
7-119	BS432393	Tension SW, Comp.	MS-1011	1				
7-120x	BS447502	Shut-off SW. Comp. MC	MC-1016	1				
7-121	MZ447456	Auto SW. Plate B	M8-114	1				
7-122	ES479485	Slide SW. S-1	25-3-66	1				
7-123	ZS440291	ISO Screw, countersunk head 3x6		2				
7-124	ES438535	Micro SW. V-1A442 U/L	25-1-15	2				
7-125x	MZ479834	Micro Insulator Paper S	MS-1020	2				
7-126x	ZS417148	Screw, binding head 3x15		4				
7-127	ER376435	Spark Quencher U/L 0.1μ+120 250WV	41-1-35	1				
7-128x	EJ205986	Cramp Terminal 2-SD	32-1-8	6				
7-129	ML316394	Operation SW. Lever	MR-112	1				
7-130x	ZW270088	'E' Ring 1.9M	6-1-9	1				
7-131	ZS425788	Screw, round head 3x4		2				
7-132	ML316427	Pause Lever MR (w/lever B)	MR-233	1				
7-133	ZS217877	Pause Lever Set Screw	900-136	1				
7-134	MZ316451	Pause Stopper, M-7	MH-126	1				
7-135	ZG301061	Pause Spring 990A	4TR-128	1				
7-136	ML316440	Shut-off SW. Lever	MR-234	1				

When ordering parts, please describe Parts Number, Serial Number, and Model Number in detail.

FIG. 8 ILLUSTRATION OF REC. LEVER BLOCK

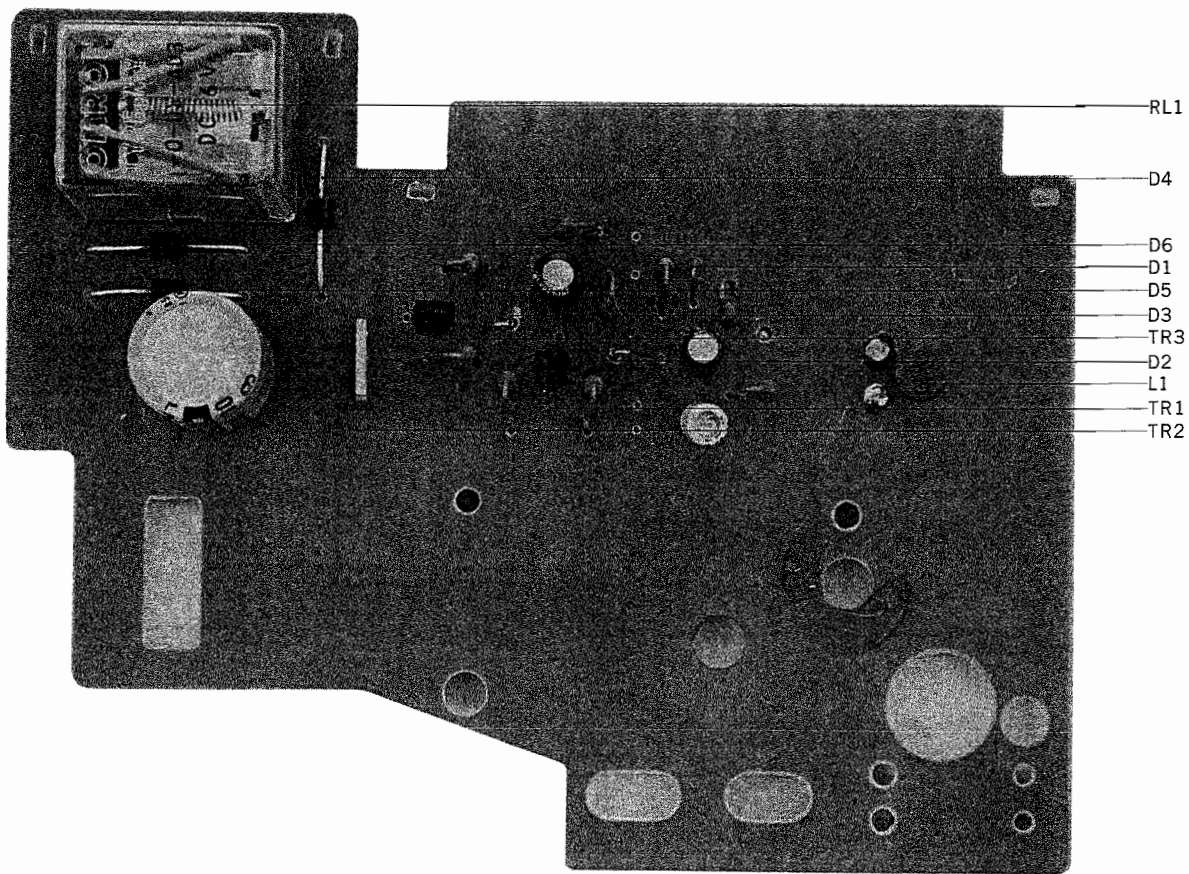


REC. LEVER BLOCK

Ref. No.	Part No.	Description	Schematic No.	Qty
8-1x	BL309690	Rec. Lever Block Comp.	MC,RC,RC-31	
8-2	EZ309273	Rec. Lever Base	RC-569	1
8-3	EZ305087	Amp. Lever	RC-567	1
8-4	EZ309262	Rec. Hook	RC-568	1
8-5	ZS413223	Screw, binding head 3x5,w/washer		3
8-6	MS309251	Rec. Shaft	RC-582	1
8-7	ZW290283	'U' Ring 2.85M	6-1-1	2
8-8	EZ436465	Amp. Chassis A, w/bush	MC-5009	1
8-9x	EZ447232	Amp. Chassis D, w/bush	MC-5009	1
8-10	MH308957	Mode Prop	RC-578	1
8-11	ZS323728	Screw, binding head 3x5		3
8-12	MH246644	P.C. Board Prop B	RD-519	2
8-13	ZS308946	Mode Square Screw	RC-579	1
8-14	ZG309791	Main Amp. Spring, RC	RC-558	1
8-15	ZG309780	Pre-amp. Spring, RC	RC-557	1
8-16	MH436511	Power Supply P.C. Board Prop	MC-5019	1

When ordering parts, please describe Parts Number, Serial Number, and Model Number in detail.

FIG. 9 PHOTO OF CART. P.C. BOARD (MC-3202)

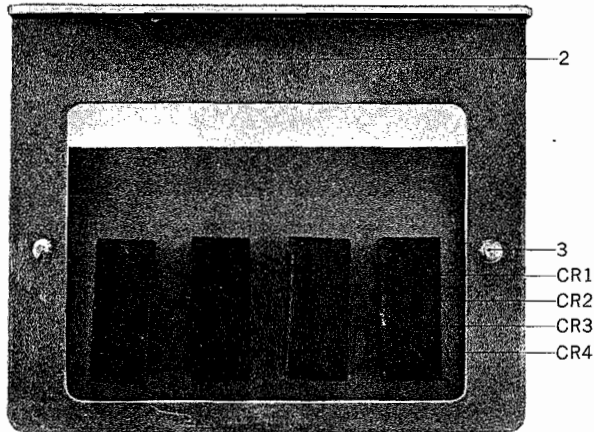


CART. P.C. BOARD (MC-3202) BLOCK

Symbol No.	Parts No.	Description	Q'ty
9-1x	BA555412	Cart. P.C. Board Comp. (MC-3202)	1
9-TR1	ET453486	Transistor 2SC711(E)(F)	1
9-TR2	ET375603	Transistor 2SC1061(B)(C)	1
9-TR3	ET453486	Transistor 2SC711(E)(F)	1
9-D1,2,3	ED514721	Silicon Diode WG599	3
9-D4	ED494583	Silicon Diode 10D05	1
9-D5,6	ED511097	Silicon Diode IN4001	2
9-L1	EO369178	Ferri Inductor FL7H 1.5MH(J)	1
9-RL1	EP303614	Relay MY4-0-US-AD3 6V	1
9-SW10	ES227902	Slide SW. ESS-22C-NB	1
9-P2	EJ450573	Mate-N-Lock Cap Housing 9P	1
		1-480277-0	1
9-2x	EJ243191	Pin Contact 60511-1	7
		Capacitor, Vertical Type	
9-C1	EC320051	Elect. 10 μ F 16WV	1
9-C2	EC450281	Elect. 0.47 μ F 50WV	1
9-C3	EC331738	Elect. 4.7 μ F 50WV	1
9-C4	EC220421	Elect. 1000 μ F 16WV	1
9-C5	EC250885	Mylar 0.01 μ F(K) 50WV	1
		Resistor, Stopper Type	
9-R1	ER306887	Carbon RD1/4 15k(J)	1
9-R2	ER212883	Carbon RD1/4 4.7k(J)	1
9-R3,4	ER336442	Carbon RD1/4 10k(J)	1
9-R5	ER211465	Carbon RD1/4 1k(J)	1
9-R6	ER211320	Carbon RD1/4 1.5k(J)	1
9-R7	ER357535	Carbon RD1/4 39k(J)	1
9-R8	ER212264	Carbon RD1/4 22k(J)	1
9-R9	ER336442	Carbon RD1/4 10k(J)	1

When ordering parts, please describe Parts Number, Serial Number, and Model Number in detail.

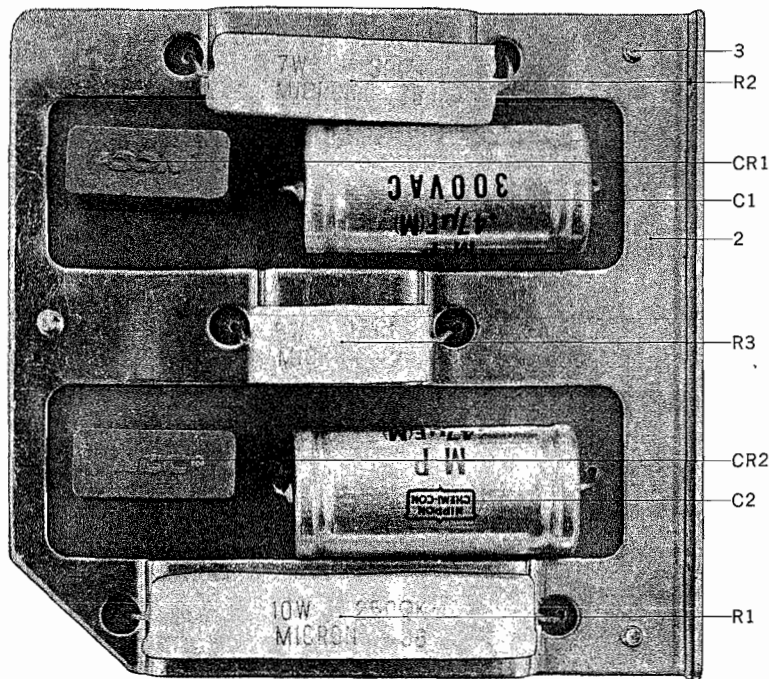
**FIG. 10 PHOTO OF SPARK
QUENCHER P.C. BOARD
(MC-2202)**



**SPARK QUENCHER P.C. BOARD (MC-2202)
BLOCK**

Symbol No.	Part No.	Description	Q'ty
10-1x	BA555388	Spark Quencher P.C. Board Comp.(MC-2202)	1
10-CR1 to 4	ER376435	Spark Quencher U/L 0.1 μ +120 Ω 250WV	2
10-2	ML540720	P.C. Board Parts B	1
10-3	ZS447772	Tapping Screw #2 3x6(BR)	2

FIG. 11 PHOTO OF RESISTOR P.C. BOARD (MC-2201)

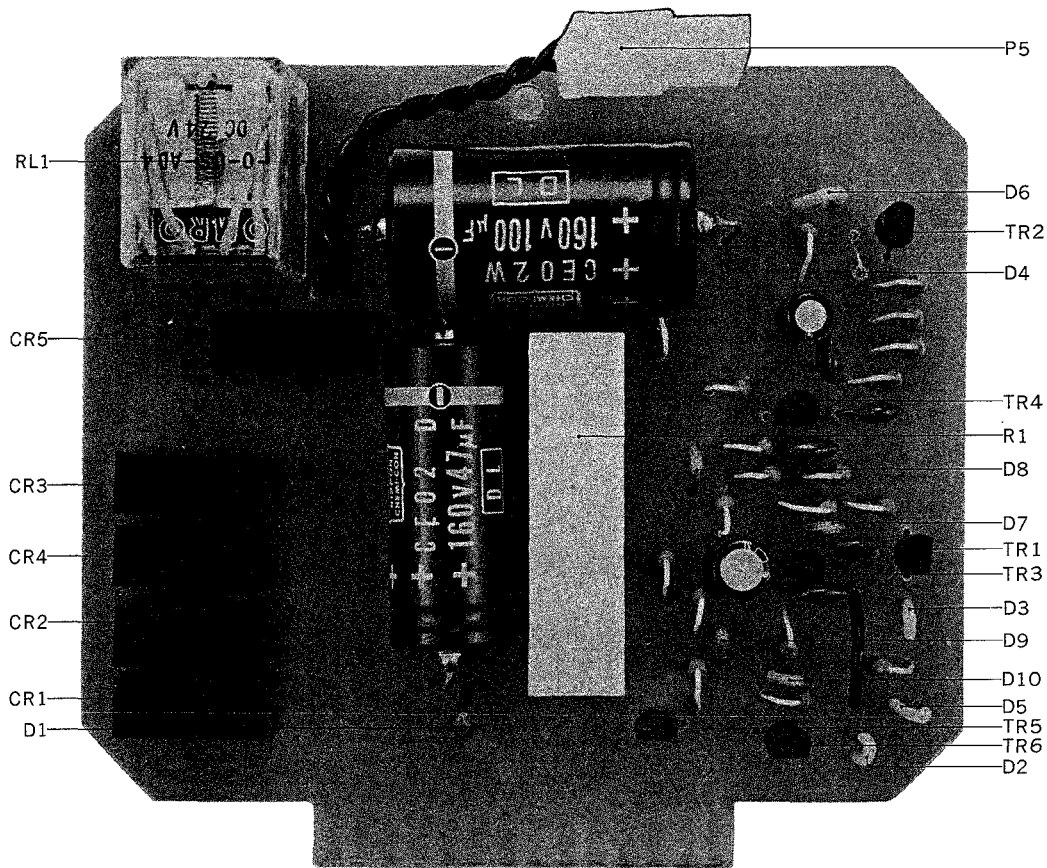


RESISTOR P.C. BOARD (MC-2201) BLOCK

Symbol No.	Parts No.	Description	Q'ty
11-1x	BA555377	Resistor P.C. Board Comp. (MC-2201)	1
11-CR1,2	ER376435	Spark Quencher U/L 0.1 μ +120 Ω 250WV	2
11-2	ML540718	P.C. Board Parts A	1
11-3	ZS447772	Tapping Screw #2 3x6(BR)	3
11-C1,2	EC350987	MP Capacitor 0.47 μ F(M)250VAC (Tub.type)	2
Resistor, Wire-wound Type			
11-R1	ER554850	Cement 10W 250(K)	1
11-R2	ER554872	Cement 7W 39(K)	1
11-R3	ER554894	Cement 5W 12(K)	1

When ordering parts, please describe Parts Number, Serial Number, and Model Number in detail.

FIG. 12 PHOTO OF SYS. CON. P.C. BOARD (MC-2205)

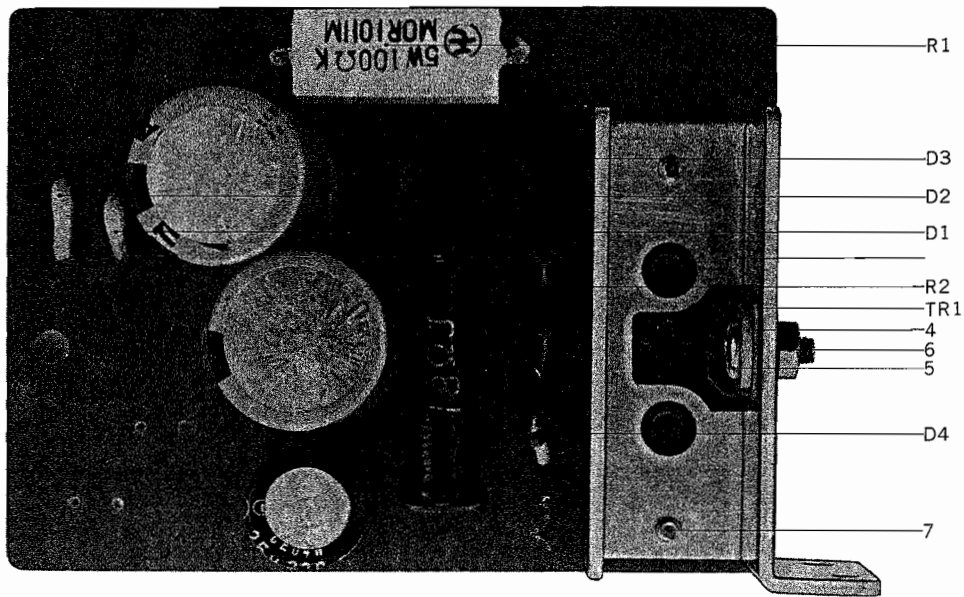


SYS. CON. P.C. BOARD (MC-2205) BLOCK

Symbol No.	Parts No.	Description	Q'ty	Symbol No.	Parts No.	Description	Q'ty
12-1x	BA555423	Sys. Con. P.C. Board Comp. (MC-2205)	1	Resistor, Stopper Type			
12-TR1 to 6	ET453486	Transistor 2SC711 (E) (F)	6	12-R1	ER556503	Cement H15 1.5k(K)	1
12-D1	ED224550	Silicon Diode 10D4	1	12-R2	ER380711	Carbon RD1/4 220k(J)	1
12-D2,3	ED514721	Silicon Diode WG599	2	12-R3	ER336442	Carbon RD1/4 10k(J)	1
12-D4	ED219464	Germanium Diode IN34A	1	12-R4	ER212883	Carbon RD1/4 4.7k(J)	1
12-D5 to 8	ED514721	Silicon Diode WG599	4	12-R5	ER212477	Carbon RD1/4 3.3k(J)	1
12-D9,10	ED384096	Zener Diode RD-9A	2	12-R6,7,8	ER212883	Carbon RD1/4 4.7k(J)	3
12-CR1 to 5	ER376435	Spark Quencher U/L 0.1µ+120Ω 250WV	5	12-R9	ER336442	Carbon RD1/4 10k(J)	1
12-RL1	EP344136	Relay MY4-O-US-AD4 24V	1	12-R10	ER357456	Carbon RD1/4 2.2k(J)	1
12-P5	EJ452351	Mate-N-Lock Plug Housing 2P 170923-1	1	12-R11	ER211757	Carbon RD1/4 100k(J)	1
12-2x	EJ229353	Socket Contact 60510-1	2	12-R12	ER212264	Carbon RD1/4 22k(J)	1
Capacitor, Vertical Type				12-R13	ER212883	Carbon RD1/4 4.7k(J)	1
12-C1	EC316113	Elect. 47µF 160WV	1	12-R14	ER357456	Carbon RD1/4 2.2k(J)	1
12-C2	EC316091	Elect. 100µF 160WV (Tub. type)	1	12-R15	ER212264	Carbon RD1/4 22k(J)	1
12-C3	EC220994	Elect. 10µF 25WV	1	12-R16	ER211465	Carbon RD1/4 1k(J)	1
12-C4,5,6	EC250885	Mylar 0.01µF(K) 50WV	3	12-R17	ER429996	Carbon RD1/4 470k(J)	1
12-C7	EC251087	Mylar 0.022µF(K) 50WV	1	12-R18	ER211465	Carbon RD1/4 1k(J)	1
12-C8	EC220612	Elect. 33µF 25WV	1	12-R19	ER429996	Carbon RD1/4 470k(J)	1
12-C9	EC251087	Mylar 0.022µF(K) 50WV	1	12-R20	ER211667	Carbon RD1/4 100(J)	1

When ordering parts, please describe Parts Number, Serial Number, and Model Number in detail.

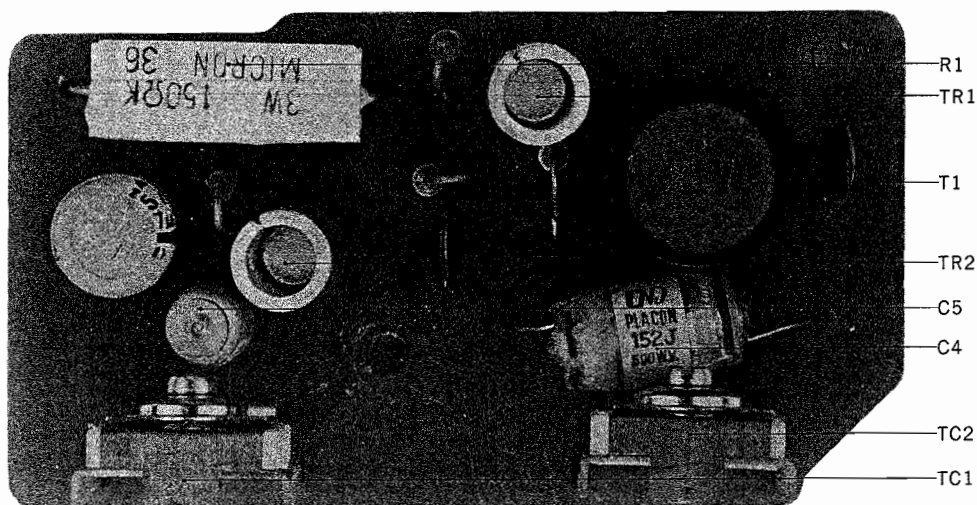
FIG. 13 PHOTO OF POWER SUPPLY P.C. BOARD (MC-5208)



POWER SUPPLY P.C. BOARD (MC-5208)
BLOCK

Symbol No.	Parts No.	Description	Q'ty
13-1x	BA555502	Power Supply P.C. Board Comp. (MC-5208)	1
13-2x	BA555513	Power Supply P.C. Board Comp. (MC-5208) (Deck)	1
13-TR1	ET476886	Transistor 2SC1098(L) (M)	1
13-D1,2	ED224526	Silicon Diode 10D1	2
13-D3	ED329130	Silicon Diode 10DC-1 (black)	1
13-D4	ED511918	Zener Diode WZ-240	1
13-3	EZ436645	Heat-sink Plate, MC	1
13-4	EZ413695	Insulator Plate	1
13-5	ZS413741	Screw, binding head 3x8	1
13-6	ZW273756	Nut M3	1
13-7	ZS413155	Screw, binding head 3x6	2
Capacitor, Vertical Type			
13-C1,2	EC557651	Elect. 470 μ F 50WV	2
13-C3	EC336115	Elect. 220 μ F 25WV	1
Resistor, Stopper Type			
13-R1	ER555017	Cement 5W 100(K) (Wire-wound type)	1
13-R2	ER413717	Wire-wound 3W 18(J) (L type)	1
13-R3	ER212883	Carbon RD1/4 4.7k(J)	1
13-R4	ER361642	Carbon RD1/4 47(J)	1
13-R5,6	ER399644	Carbon RD1/4 82(J)	2

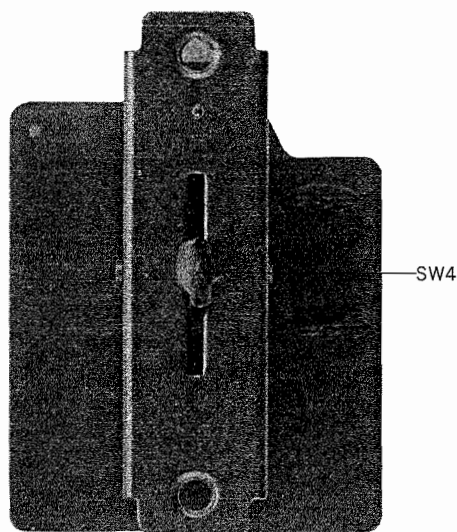
FIG. 14 PHOTO OF OSC. P.C. BOARD (MC-5204)



OSC. P.C. BOARD (MC-5204) BLOCK

Symbol No.	Parts No.	Description	Q'ty
14-1x	BA555491	OSC. P.C. Board Comp. (MC-5204)	1
14-TR1,2	ET304255	Transistor 2SC971 (2) (3) (red)	2
14-T1	EO453521	OSC. Coil OT-803	1
14-TC1,2	EC561025	Trimmer/C. TM-70 A	2
Capacitor, Vertical Type			
14-C1	EC336126	Elect. 47 μ F 25WV	1
14-C2,3	EC250841	Mylar 0.01 μ F(J) 50WV	2
14-C4	EC446242	Plastic Film 1500PF(J) 500WV	1
14-C5	EC439097	Plastic Film 820PF(J) 500WV	1
Resistor, Stopper Type			
14-R1	ER555028	Cement 3W 150(K) (Wire-wound type)	1
14-R2,3	ER315944	Carbon RD1/4 3.3(J)	2
14-R4	ER304402	Carbon RD1/4 470(J)	1
14-R5	ER212883	Carbon RD1/4 4.7k(J)	1

FIG. 15 PHOTO OF EQUALIZER SW. (MC-5206) BLOCK

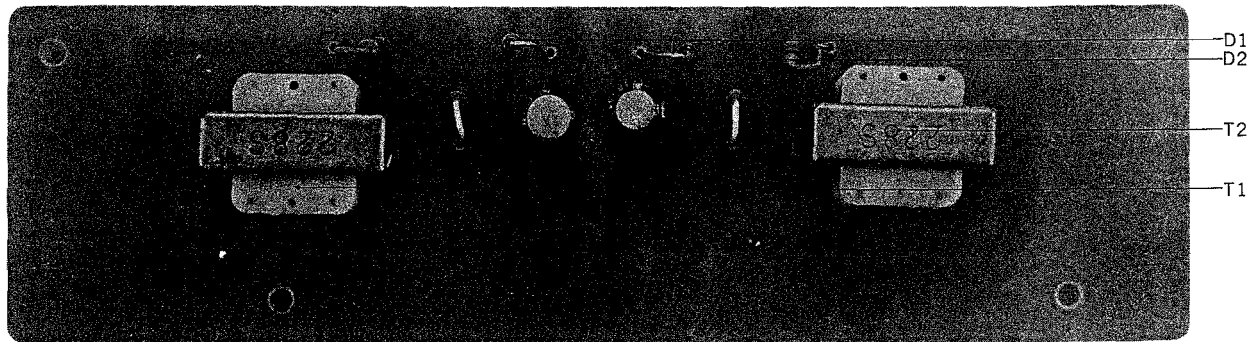


EQUALIZER SW. (MC-5206) BLOCK

Symbol No.	Parts No.	Description	Q'ty
15-1x	BA555568	Equalizer SW. Block Comp. (MC-5206)	1
15-SW4	ES457514	Lever SW. SQ11(PVB)12-4-2(black)(M)	1
15-C2,5	EC250975	Mylar Capacitor 0.015 μ F(J) 50WV (Vert. type)	2

When ordering parts, please describe Parts Number, Serial Number, and Model Number in detail.

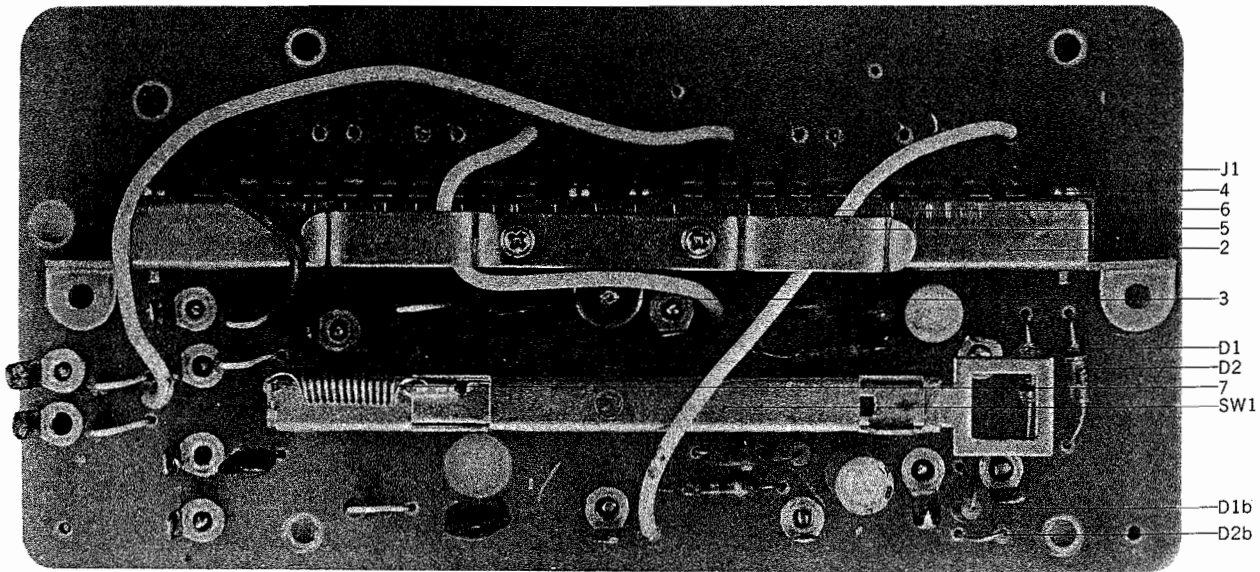
FIG. 16 PHOTO OF OUT P.C. BOARD (MC-5031) (DECK)



OUT P.C. BOARD (MC-5031) BLOCK (DECK)

Symbol No.	Parts No.	Description	Q'ty
16-1x	BA447041	Out P.C. Board Comp. (MC-5031) (Deck)	1
16-D1,2	ED219464	Germanium Diode 1N34A	1
16-T1,2	BT247746	Headphone Trans. N19-228S	2
16-C1,2	EC220590	Elect. Capacitor 33 μ F 10WV	2
		Resistor, Stopper Type	
16-R1,2	ER306843	Carbon RD1/4 1.2k(J)	2
16-R3,4	ER211465	Carbon RD1/4 1k(J)	2

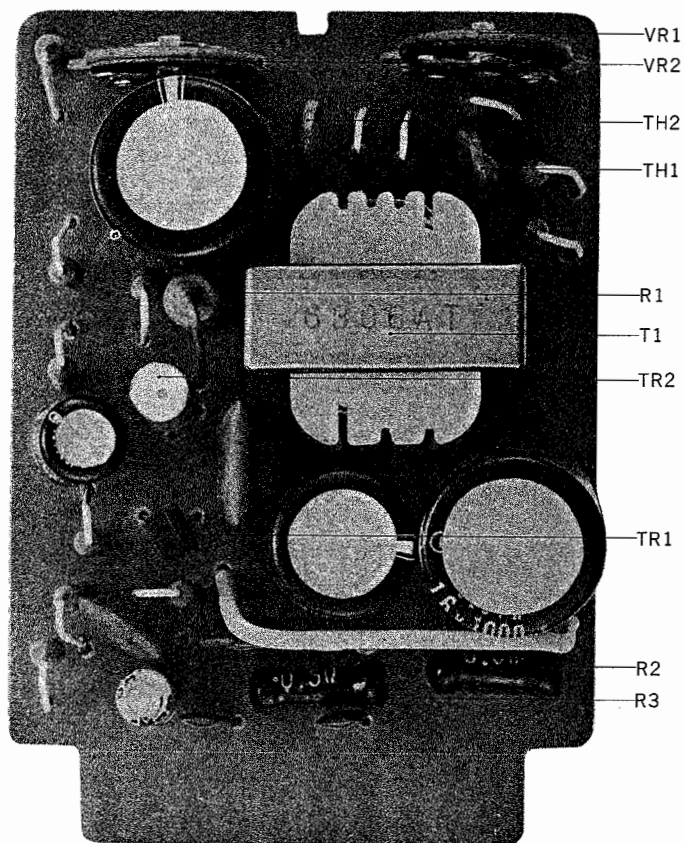
FIG. 17 PHOTO OF OUT SW. (RC-554) BLOCK



OUT SW. (RC-554) BLOCK

Symbol No.	Parts No.	Description	Q'ty
17-1x	BA309701	Out SW. Block Comp. (RC-554)	1
17-SW1	ES307877	Slide SW. CL162B35	1
17-J1	EJ310847	Multi-jack-3 10P 500-010-099	2
17-D1,2	ED219464	Germanium Diode IN34A	4
17-2	EZ308002	Socket Holder	1
17-3	ZS202296	Screw, round head 2.3x5	1
17-4	ZS202230	Screw, round head 2.3x10	4
17-5	EZ310814	W Cord Supporter	1
17-6	ZS202274	Screw, round head 2.3x3	2
17-7	ZG305010	Out Spring	1
Capacitor, Vertical Type			
17-C1	EC250885	Mylar 0.01 μ F(K) 50WV	2
17-C2	EC338488	NP 3.3 μ F 25WV	2
17-C3	EC251155	Mylar 0.033 μ F(K) 50WV	2
Resistor, Stopper Type			
17-R3	ER212681	Carbon RD1/4 330(J)	2
17-R4	ER306887	Carbon RD1/4 15k(J)	2
17-R5	ER306843	Carbon RD1/4 1.2k(J)	2
17-R6	ER306360	Carbon RD1/4 6.8k(J)	2
17-R7	ER324764	Carbon RD1/4 560(J) (Insu. t.ype)	2
17-R8	ER304402	Carbon RD1/4 470(J)	2

FIG. 19 PHOTO OF MAIN AMP. P.C. BOARD (RC-589)

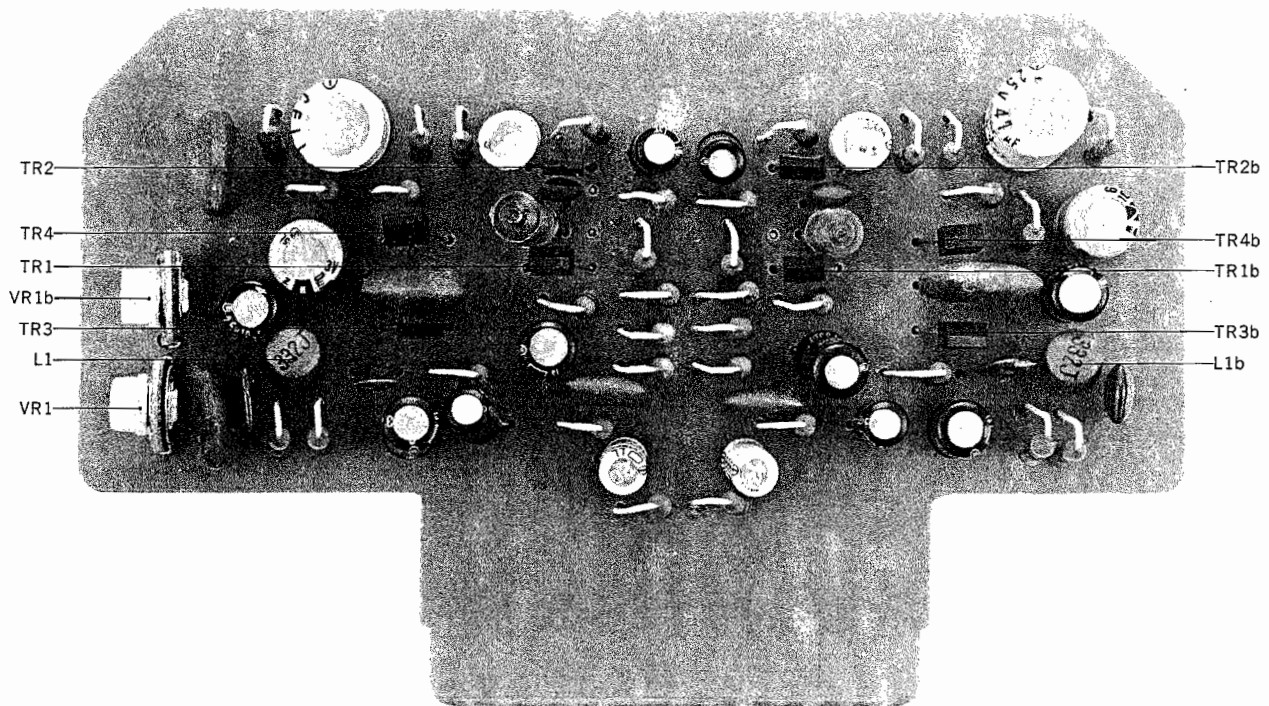


MAIN AMP. P.C. BOARD (RC-589) BLOCK

Symbol No.	Parts No.	Description	Q'ty
19-1x	BA309723	Main Amp. P.C. Board Comp. (RC-589)	1
19-TR1	ET329218	Transistor 2SC458(C)	1
19-TR2	ET338894	Transistor 2SC968(3)	1
19-TH1,2	ED324551	Thermister 19D46	2
19-VR1,2	EV338916	Semi-fixed Vol. V17K2D-4 kB	2
19-T1	BT329117	Driver Trans. N24B-6306AT	1
Capacitor, Vertical Type			
19-C1,2	EC250604	Mylar 0.001 μ F(K) 50WV	2
19-C3	EC251087	Mylar 0.022 μ F(K) 50WV	1
19-C4	EC290564	VFM 220PF(K) 50WV	1
19-C5	EC339063	VFM 390PF(K) 50WV	1
19-C6	EC220421	Elect. 1000 μ F 16WV	1
19-C7	EC339096	Elect. 470 μ F16WV	1
19-C8	EC320051	Elect. 10 μ F 16WV	1
19-C9	EC331817	Elect. 470 μ F 25WV	1
19-C10	EC220105	Elect. 100 μ F 10WV	1
Resistor, Stopper Type			
19-R1	ER514912	Metal Oxide Film 1W 390(K)	1
19-R2,3	ER338940	Wire-wound 1/4 0.5(K)-(L type)	2
19-R4	ER349907	Carbon RD1/4 33k(J)	1
19-R5	ER346601	Carbon RD1/4 47k(J)	1
19-R6,7	ER336442	Carbon RD1/4 10k(J)	2
19-R8,9	ER362441	Carbon RD1/4 1.8k(J)	2
19-R10,11	ER429794	Carbon RD1/4 68(J)	2
19-R12,13	ER399644	Carbon RD1/4 82(J)	2
19-R14	ER213120	Carbon RD1/4 56(J)	1
19-R15	ER306360	Carbon RD1/4 6.8k(J)	1
19-R16	ER357412	Carbon RD1/4 220(J)	1
19-R17	ER304290	Carbon RD1/4 10(J)	1

When ordering parts, please describe Parts Number, Serial Number, and Model Number in detail.

FIG. 20 PHOTO OF PRE-AMP. P.C. BOARD (MC-5207)

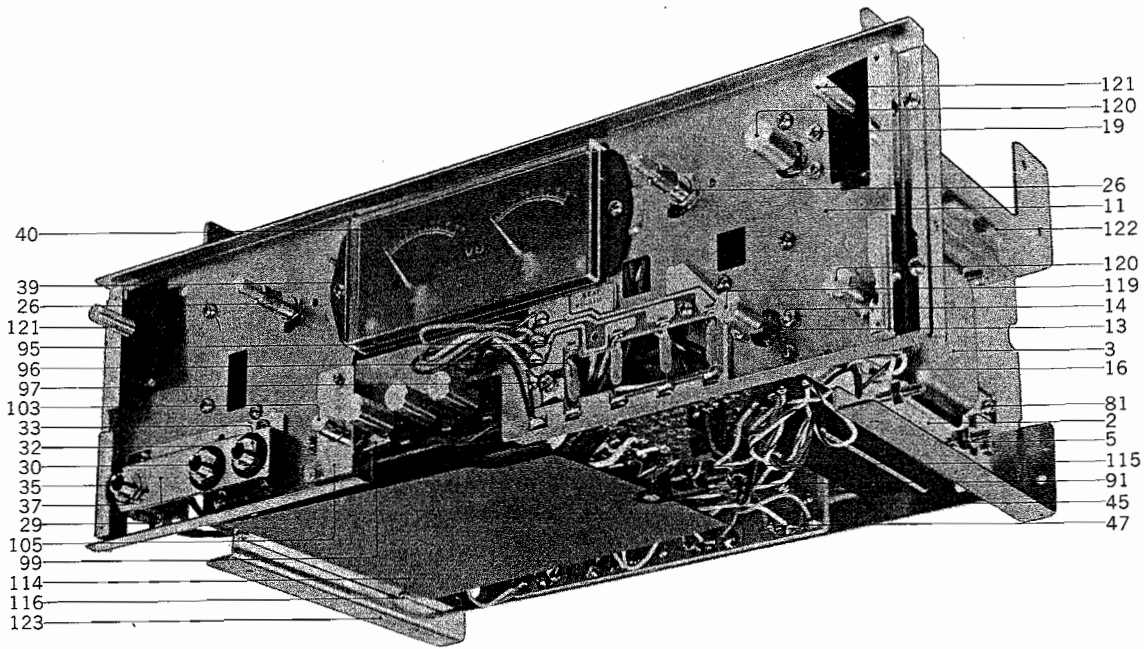
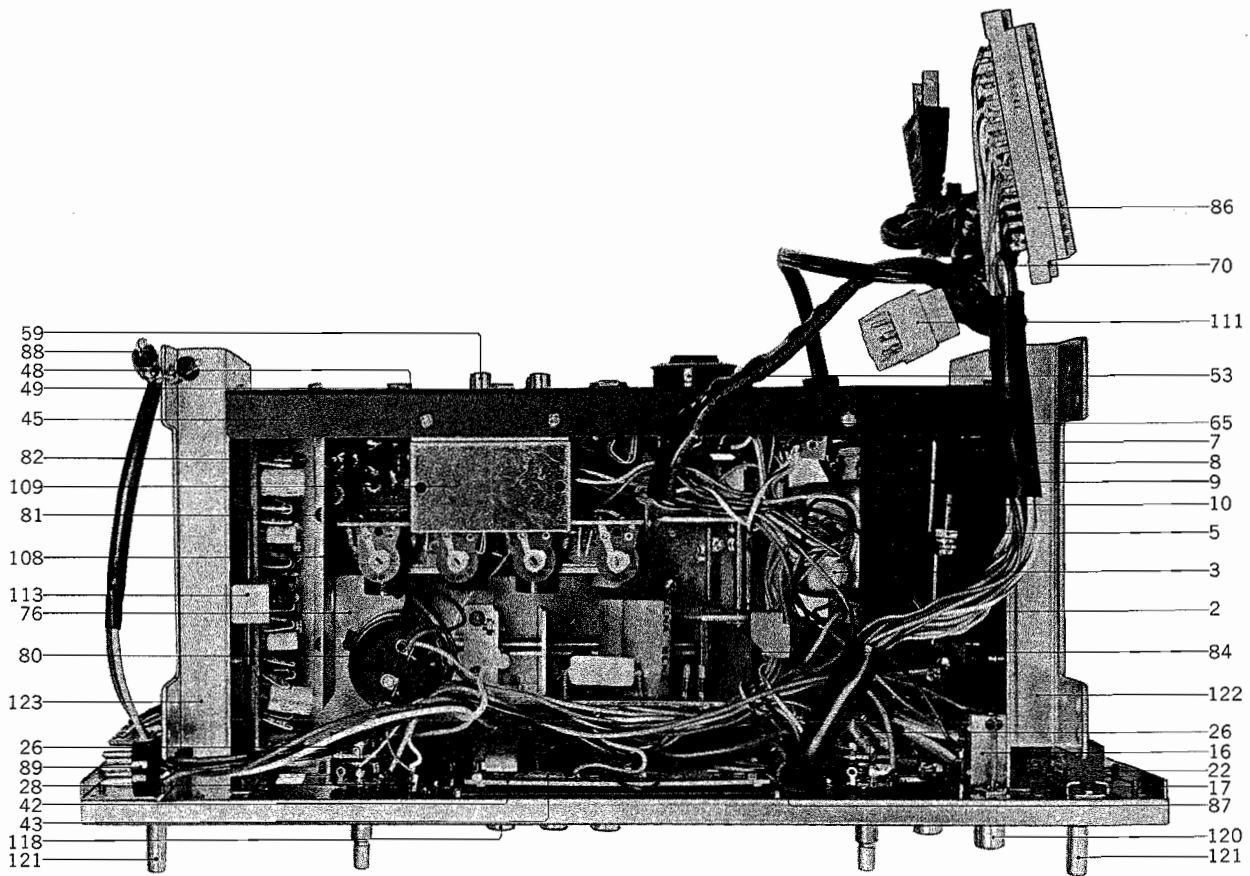


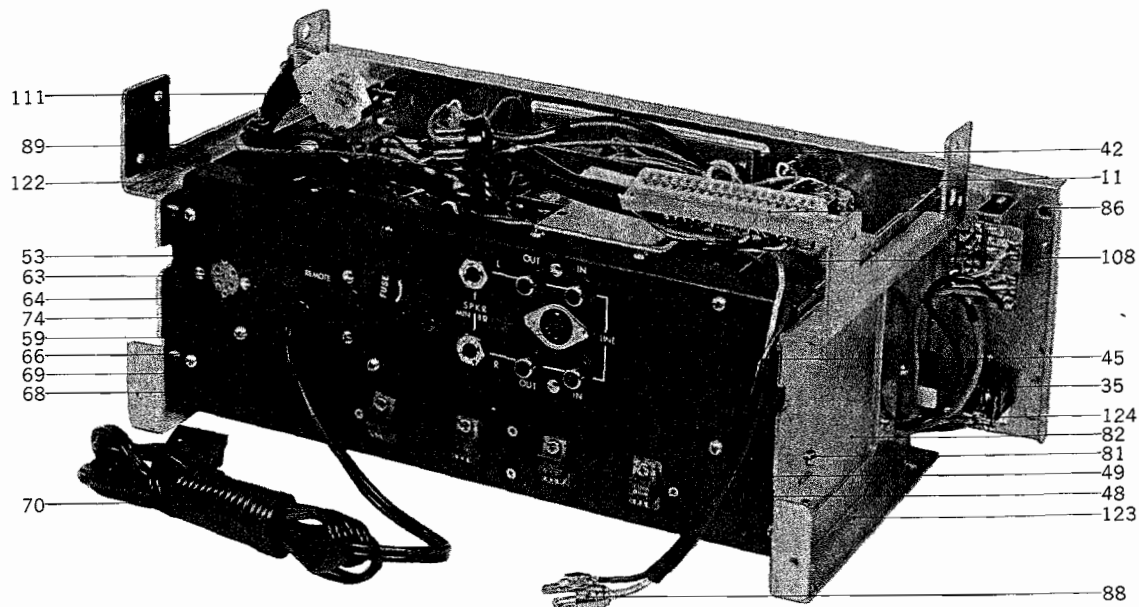
PRE-AMP. P.C. BOARD (MC-5207) BLOCK

Symbol No.	Parts No.	Description	Q'ty
20-1x	BA555647	Pre-amp. P.C. Board Comp. (MC-5207)	1
20-2x	BA555658	Pre-amp. P.C. Board Comp. (MC-5207) (1820D)	1
20-TR1 to 4	ET234832	Transistor 2SC458LG(B)	8
20-L1	EO243988	Ferri Inductor FL7H 3.3MH(J)	2
20-VR1	EV497698	Semi-fixed Vol. V10K8-1-5 20 kB (4US)	2
Capacitor, Vertical Type			
20-C1	EC432810	Elect. 10 μ F 16WV NL	2
20-C2	EC329850	VFM 220PF(J) 50WV	2
20-C3	EC423562	VFM 470PF(J) 50WV	2
20-C4	EC220590	Elect. 33 μ F 10WV	2
20-C5	EC517138	Elect. 10 μ F 25WV NL	2
20-C6	EC320051	Elect. 10 μ F 16WV	2
20-C7	EC476965	Elect. 47 μ F 25WV NL	2
20-C8	EC450055	Elect. 1 μ F 25WV	2
20-C9	EC336216	VFM 330PF(J) 50WV	2
20-C10	EC220364	Elect. 100 μ F 6.3WV	2
20-C11	EC250683	Mylar 0.0022 μ F(J) 50WV	2
20-C12	EC220994	Elect. 10 μ F 25WV	2
20-C13	EC220364	Elect. 100 μ F 6.3WV	2
20-C13	EC320051	Elect. 10 μ F 16WV (Deck)	2
20-C14	EC336216	VFM 330PF(J) 50WV	2
20-C15	EC368335	Mylar 0.022 μ F(J) 50WV	2
20-C16	EC399690	VFM 33PF(J) 50WV	2
Resistor, Stopper Type			
20-R1,2	ER211757	Carbon RD1/4 100k(J)	4
20-R3	ER555660	Carbon RD1/4 150k(J) NL	2
20-R4	ER212477	Carbon RD1/4 3.3k(J)	2
20-R5	ER212681	Carbon RD1/4 330(J)	2
20-R6	ER346601	Carbon RD1/4 47k(J)	2
20-R7	ER211757	Carbon RD1/4 100k(J)	2
20-R8	ER212264	Carbon RD1/4 22k(J)	2
20-R9	ER336442	Carbon RD1/4 10k(J)	2
20-R10	ER306887	Carbon RD1/4 15k(J)	2
20-R11	ER304402	Carbon RD1/4 470(J)	2
20-R12	ER211667	Carbon RD1/4 100(J)	2
20-R13	ER350100	Carbon RD1/4 68k(J)	2
20-R14	ER211320	Carbon RD1/4 1.5k(J)	2
20-R15	ER212681	Carbon RD1/4 330(J)	2
20-R16	ER212883	Carbon RD1/4 4.7k(J)	2
20-R17	ER379473	Carbon RD1/4 30k(J)	2

When ordering parts, please describe Parts Number, Serial Number, and Model Number in detail.

FIG. 21 PHOTO OF AMPLIFIER ASSEMBLY BLOCK



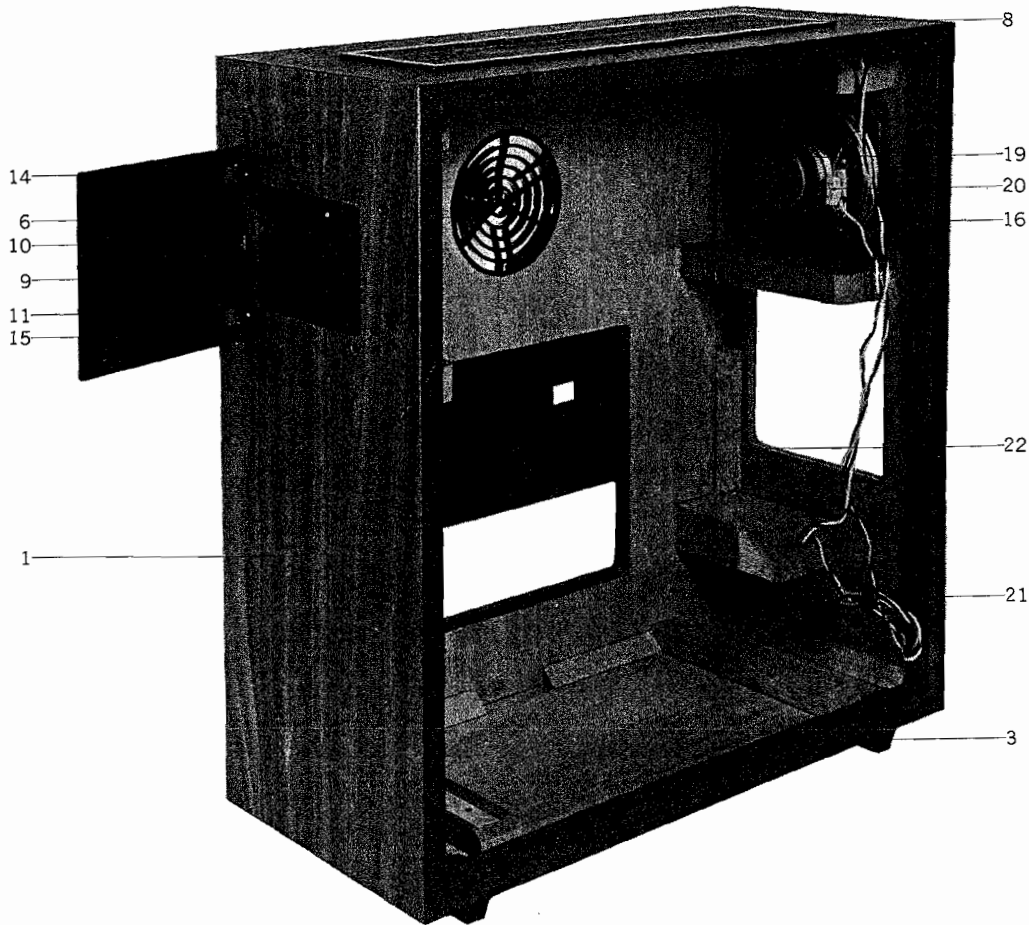


AMPLIFIER ASSEMBLY BLOCK

Ref. No.	Parts No.	Description	Schematic No.	Q'ty	Ref. No.	Parts No.	Description	Schematic No.	Q'ty
SIDE PLATE (R) BLOCK									
21-1x	BZ436915	Side Plate (R) Block Comp.	MC	1	21-37	ZW555052	E Jack Nut		1
21-2	EZ436476	Side Plate(R)	MC-5013	1	21-38x	ZW272722	Toothed Lock Washer M9 D9.3x13x0.5t		1
21-3	BT437376	Power Trans. MCT-1	38-4-127	1	21-39	ZS447772	Tapping Screw #2 3x6(BR)		4
21-4x	ZW273914	Spring Washer M4		4	21-40	EM437332	VU Meter VS-6G	46-1-48	1
21-5	ZW413188	Nut M4		5	21-41x	EC220590	Elect./C. 33μF 10WV (Vert. type)	24-12-9	2
21-6x	WM454972	Trans. Damper Rubber	ED-B120	2	21-42	EA436735	PL P.C. Board	MC-5012	1
21-7	EZ436487	Trans. Shield Plate A	MC-5017	1	21-43	EL295312	Lamp (No.2) 8V 0.2A	28-2-8	2
21-8	EZ436454	Trans. Shield Plate B	MC-5018	2	21-44x	SE446556	Mask B	DF-6042	2
21-9	MZ431245	Trans. Shield Band	ED-B111	1					
21-10	ZS468887	Screw, binding head 4x20		1					
AMP. FRAME BLOCK									
21-11	EZ540810	Amp. Frame B, w/prop	MC-5201	1	BACK FRAME BLOCK				
21-12x	EZ540821	Amp. Frame C, w/prop (Deck)	MC-5201	1	21-45	EZ448031	Back Frame C	MC-5036	1
21-13	ES302040	Push SW. SDFIPBWO	25-5-19	1	21-46x	EZ448020	Back Frame D (Deck)	MC-5036	1
21-14	ZS314368	UEH Mt. Screw	RC-588	2	21-47	EA339164	Power Transistor P.C. Board	RC-590	1
21-15x	ZW273756	Nut M3		3	21-48	ET393614	Transistor 2SC1060(B) (C)	45-1-66	4
21-16	ES374051	Push SW. UEG-22CP	25-5-26	2	21-49	ZS437051	Screw, binding head 3x10, w/washer		4
21-17	EZ424517	SW. Holder	MS-5006	2	21-50x	ZW273756	Nut M3		4
21-18x	ZS375107	Screw, pan head 2.6x4		2	21-51x	ZW273802	Toothed Lock Washer M3		6
21-19	ZS323728	Screw, binding head 3x5		5	21-52x	ZW413256	Washer (SPC)D3.4x7.8x0.5t		4
21-20x	EC380621	Mylar/C. 0.0068μF(J) 50WV (Vert. type)	24-1-1	2	21-53	EJ233370	Socket (Volt. Selector) S-18010	40-2-3	1
21-21x	EC311793	Mylar/C. 0.012μF(J) 50WV (Vert. type)	24-1-1	2	21-54x	ZS354532	ISO Screw, truss head 3x6		2
21-22	ES436983	Lever SW. SDD2LCPO (LPS60112CPOO)	25-4-9	1	21-55x	EF563657	Fuse 3A 250V	39-1-50	1
21-23x	ES445050	Lever SW. SDD4LCGO (LPS60122CG00) (WG)	25-4-10	1	21-56x	EF563703	Fuse 2A 250V (Deck)	39-1-50	1
21-24x	ER376413	Spark Quencher U/L 0.033μ+120 500WV	41-1-37	1	21-57x	EF323616	Fuse ST-2 3A (AAL)	39-1-26	1
21-25x	ZS371856	ISO Screw, binding head 3x5		2	21-58x	EF277413	Fuse ST-2 2A (D-AAL)	39-1-26	1
21-26	EV310972	Double/Vol. V24LDN 100kB+10kA	36-3-8	2	21-59	EJ390914	Block Connector A Comp.	RC-545-A	1
21-27x	EV411783	Vol. V24N 10kA (VJ10A) (Deck)	36-2-22	2	21-60x	ER324641	Carbon/R. RD1/4 1k(J) (Insu. type)	35-9-5	2
21-28	EJ369077	Lug Plate VBL1	33-4-7	1	21-61x	ER213873	Carbon/R. RD1/4 150k(J) (Insu. type)	35-9-5	2
21-29	EZ436768	Mic. Jack Table	MC-5005	1	21-62x	ER345756	Carbon/R. RD1/4 68k(J) (Insu. type)	35-9-5	2
21-30	EJ437310	Mic. Jack 2PMJ1P	31-2-37	2	21-63	EJ298607	Jack, 4P	31-1-10	1
21-31x	EZ225180	Nylon Collar, Jack	LD-520	2	21-64	EJ256533	Socket, Remote Control	31-1-29	1
21-32	ZW260368	Washer (Fiber) D9.2x18x0.5T	7-1-20	2	21-65	EJ338005	Lug Plate KPL1	33-3-13	1
21-33	ZW391680	E Jack Nut		2	21-66	EJ393265	Jack, 2P EI	31-2-9	2
21-34x	ER213647	Carbon/R. RD1/4 10k(J) (Insu. type)	35-9-5	2	21-67x	EZ225180	Nylon Collar, Jack	LD-520	2
21-35	EJ437321	Jack, 3P Molded 3PMJ1P	31-2-38	1	21-68	ZW437084	Washer (Fiber)D9.1 x 1 5.4x0.5t		2
21-36x	ZW376481	Jack Thin Washer D9.1x11.7x0.25t	DX-509	1	21-69	EJ374578	E Jack Nut		2
					21-70	EW540112	AC Cord (CUL) 2.5 M	26-3-19	1
					21-71x	EW524845	AC Cord (J) 2.5M	26-3-31	1
					21-72x	EW486797	Power Supply Cord (VDE) (WG)	26-3-26	1
					21-73x	EW315448	Australia Cord (3 core)	26-3-11	1
					21-74	EZ382263	Strain Relief SR-4K-4	2-7-12	1
					21-75x	EZ246936	Strain Relief SR-6W-1 (WG, 3 core)	2-7-8	1

Ref. No.	Part. No.	Description	Schematic No.	Q'ty
AMP. ASSEMBLY BLOCK				
21-76	EZ436465	Amp. Chassis A, w/bush	MC-5009	1
21-77x	EZ447232	Amp. Chassis D, w/bush, (Deck)	MC-5009	1
21-78x	ZW307765	Connector Nut (Prop L=21.8)	RC-581	2
21-79x	ZS323728	Screw, binding head 3x5		2
21-80	EC308068	Elect./C. 2200 μ F 35WV (Lug type)	24-10-40	1
21-81	ZS447772	Tapping Screw #2 3x6(BR)		9
21-82	EZ307980	Side Plate (L)	RC-564	1
21-83x	ZS308946	Mode Square Screw	RC-579	1
21-84	MH436511	Power Supply P.C. Board Prop	MC-5019	1
21-85x	EZ436522	Insulator Seat	MC-5015	1
21-86	EJ310871	Multi-jack (J-2) 18P 3250-018-001	31-4-11	1
21-87	EJ328320	Nylon Clip HP-5N	2-7-39	1
21-88	EJ336238	Pin Jack Pin	42-1-32	2
21-89	EJ299788	Plug 6P	42-1-21	1
21-90x	ZS417273	Screw, binding head 2.3x4		4
21-91	ZG309791	Main Amp. Spring, RC	RC-558	1
21-92x	ER324641	Carbon/R. RD1/4 1k(J) (Insu. type)	35-9-5	2
21-93x	ZG309780	Pre-amp. Spring, RC	RC-557	1
21-94x	ZS307945	Safety Screw	RC-596	1
21-95	EZ546873	Lamp Board B	MC-5213	1
21-96	EL295312	Lamp (No.2) 8V 0.2A	28-2-8	4
21-97	ZS322626	ISO Screw, binding head 3x8, w/washer		1
21-98x	ZG436555	Safety Spring, MC	MC-5014	1
21-99	ML307934	Safety Lever	RC-594	1
21-100x	ZW302332	Washer (BSP)D3.1x8x0.5t		1
21-101x	ZW273756	M3 Nut		1
21-102x	ZG308608	Button Spring (Cone)	RC-599	1
21-103	SB447467	Safety Button B	MC-5035	1
21-104x	ZW334653	'E' Ring 7M	6-1-9	1
21-105	MS436566	Safety Guide B	MC-5007	1
21-106x	ZS554927	Screw, countersunk head 2.3x5		1
21-107x	ZS499331	Screw, pan head 2.3x5		1
21-108	EZ308485	Pre Shield	RC-570	1
21-109	EZ305471	Card Retainer	RC-571	1
21-110x	EJ328320	Nylon Clip HP-5N	2-7-39	1
21-111	EJ450573	Mate-N-Lock Cap Housing 9P 1-480277-0	52-1-7	1
21-112x	HZ243191	Pin Contact 60511-1	52-1-1	9
21-113	SK540764	Card Knob	MC-5205	1
21-114	EZ309240	Lower Shield	RC-574	1
21-115	EZ294401	Collar 6x6, 1720	LCS-1	1
21-116	ZS455207	Tapping Screw #2 3x5(BR)		2
21-117x	MZ229138	Wire Bundle Holder N-108	2-35-1	1
21-118	SK436228	Knob A	MC-5010	3
21-119	SK436274	Knob B	MC-5011	1
21-120	SK436252	Knob B (SRT)	KF-2019	2
21-121	SK409498	Lever SW. Knob A	61-5027	2
21-122	EZ541045	Amp. Chassis Mt. Table A (R)	MC-5202	1
21-123	EZ541056	Amp. Chassis Mt. Table B (L)	MC-5202	1
21-124	ZS201767	Screw, pan head 4x6, w/washer		4

FIG. 22 PHOTO OF WOOD CASE BLOCK



WOOD CASE BLOCK

Ref. No.	Parts No.	Description	Schematic No.	Q'ty
22-1	BC555243	Wood Case Block Comp.	MC-2	1
22-2x	BC555254	Wood Case Block Comp. (Deck)	MC-2	1
22-3	SA439593	Foot, DF	DF-6020	2
22-4x	ZS554771	Screw, pan head 4x20		4
22-5x	ZW439604	Washer (SPC)D4.2x9x0.5t		4
22-6	SE382217	Fan Grill	RD-A402	1
22-7x	ZS324448	Tapping Screw #1 3x10 (truss) (black)		3
22-8	SP535241	Ventilator A	TW-4002	1
22-9	SZ275591	Speaker Reflect Plate, RC	RC-405	2
22-10	SZ237475	Reflection Plate Cam	RC-421	2
22-11	SZ237508	Reflection Plate Retaining Parts (4)	3A-419	4
22-12x	ZW259503	Washer (Nylon)D3.1x8x0.5t		2
22-13x	ZW259514	Washer (Nylon)D3.1x8x1t		2
22-14	ZS201150	Screw, truss head 3x6 (black)		2
22-15	ZS437490	Screw, truss head 3x30		2
22-16	ZG410253	Angle Adjust Spring	RC-446	2
22-17x	ZW413256	Washer (SPC)D3.4x7.8x0.5t		10
22-18x	ZW273756	Nut M3		12
22-19	SS554782	Speaker 10T-1AP3	29-5-15	2
22-20	ER556615	Cement/R. 2W 12 (K) (Wire-wound type)	35-16-1	2
22-21	EJ308981	Mold 4P Plug	42-1-22	1
22-22	SP540944	Back Panel A	MC-6007	1
22-23x	SP540955	Back Panel B (Deck)	MC-6007	1
22-24x	ZS392365	Tapping Screw #1 #6x12 (truss)		4
22-25x	ZS553994	Tapping Screw #1 3x8 (round)		6

FIG. 23 PHOTO OF FINAL ASSEMBLY BLOCK



FINAL ASSEMBLY BLOCK

Ref. No.	Parts No.	Description	Schematic No.	Q'ty	Ref. No.	Parts No.	Description	Schematic No.	Q'ty
AMP. PANEL BLOCK									
23-1	SP540922	Amp. panel A	MC-6209	1	23-32	SK409498	Lever SW. Knob A	61-5027	1
23-2x	SP540933	Amp. Panel B (Deck)	MC-6209	1	23-33	SK465197	Pinch Roller Cap	MC-6017	1
23-3	SZ436094	Vol. Ring	MC-6004	2	23-34	MP271170	Pinch Roller, LC D=38	LC-321	1
23-4	SZ436105	Ring Plate	MC-6015	2	23-35	SK417622	Knob A-2, MC	VC-6018	2
23-5x	SZ455084	Lamp Cushion	DF-5088	1	23-36x	ZS356804	Set Screw, hexagon socket 3x4 (cup/p.)		2
23-6	SE381508	Meter Escutcheon	RD-A613	1	23-37	SK417633	Knob B-2, MC	VC-6019	2
23-7	ZS800278	Screw, oval countersunk head 2.3x4		1	23-38x	ZS434160	Set Screw, hexagon socket 3x3 (cup/p.)		2
23-8	SE497632	Lamp Escutcheon	DF-6025	4	23-39x	SK476111	Amp. Knob Comp. (Deck)	MR-6010	2
FINAL ASSEMBLY BLOCK									
23-9x	ZS554760	Screw, truss head 4x30		4	23-40x	ZW371913	Washer (Nylon)D7.1x13.6x0.5t		2
23-10x	ZW259806	Washer (SPC-1)D4.5x12.8x1t		6	23-41	SK540832	DS Knob	MC-6206	2
23-11x	ZS417150	Screw, pan head 4x6		8	23-42	SC540808	Head Cover	MC-6204	1
23-12	SE540900	Sash (Left)	MC-6213	1	23-43x	EZ377583	Felt D9	CD-60	1
23-13	SE540911	Sash (Right)	MC-6213	1	23-44	SM541326	Head Cover Name Plate GX-1820	MC-6205	1
23-14x	ZS447772	Tapping Screw #2 3x6(BR)		6	23-45x	SM541282	Head Cover Name Plate GX-1820D	MC-6205	1
23-15x	ZS437422	Screw, truss head 4x15		2	23-46	ZS201150	Screw, truss head 3x6 (black)		2
23-16x	SA377190	Rubber Foot, LM	LM-404	4	23-47x	SM542777	Serial No. Plate GX-1820	101053	1
23-17x	ZW419646	Washer (SPC)D4.5x9.8x0.5t		4	23-48x	SM542788	Serial No. Plate GX-1820D	101053	1
23-18x	ZS437433	Screw, truss head 4x25		4	23-49	SE436296	Cart. Escutcheon	MC-6009	1
23-19	SP541271	Mech. Panel, w/spin plate	MC-6201	1	23-50	ZS447963	Tapping Screw #1 3x10 (truss)		4
23-20	SE528906	Counter Escutcheon	ND-6008	1	23-51x	EF563703	Fuse 2A 250V	39-1-50	1
23-21	SC541078	Head Cover Base	MC-6203	1	23-52x	EF563681	Fuse 1A 250V (Deck)	39-1-50	1
23-22x	ZS323728	Screw, binding head 3x5		4	23-53x	MY436307	Capstan, MC (15INCH)	MC-6010	1
23-23	SZ483737	Panel Washer B	KD-6029	4	23-54x	ZS436353	Capstan Set Screw, MC	MC-6012	1
23-24	ZS482815	Screw, oval countersunk head 3x8 (black)		4	23-55x	MP436364	Pinch Roller, MC 15INCH D=32	MC-6014	1
23-25	EZ436217	Collar, Jack	MC-5006	3	23-56x	EF394773	Fuse 2A 250V	39-1-39	1
23-26	ZS447726	Screw, truss head 2.3x6, w/washer		4	23-57x	EF563657	Fuse 3A 250V	39-1-50	1
23-27	SK410477	Mech. Knob B	LF-6034	2	23-58x	EF323616	Fuse ST-2 3A (AAL)	39-1-26	1
23-28x	ZS253405	Mech. Knob Screw	7-1-46	2	23-59x	EF563703	Fuse 2A 250V (Deck)	39-1-50	1
23-29x	ZW432347	Washer (Luminar)D6.2x13x0.125t		2	23-60x	EF563681	Fuse 1A 250V (Deck)	39-1-50	1
23-30	SK314100	Pause Knob B	MR-612	1	23-61x	EF277413	Fuse ST-2 2A (D-AAL)	39-1-26	1
23-31x	ZS433001	Set Screw, hexagon socket 3x5 (cup/p.)		1	23-62x	EF304626	Fuse ST-4 1A (D-AAL)	39-1-28	1

INDEX

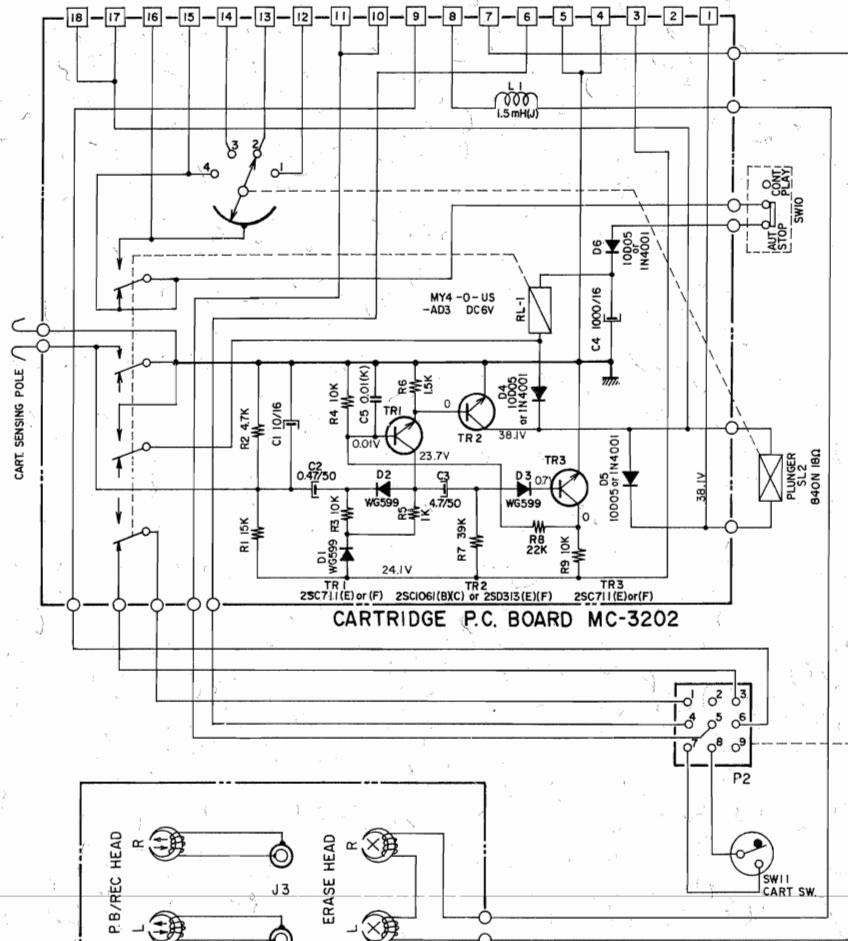
Parts No.	Ref. No. & Symbol No.	Parts No.	Ref. No. & Symbol No.	Parts No.	Ref. No. & Symbol No.	Parts No.	Ref. No. & Symbol No.	Parts No.	Ref. No. & Symbol No.
BA309701	17-1x	EC336126	14-C1	EJ390914	21-59	ER345756	21-62x	EZ207314	7-92x
BA309723	19-1x	EC336194	18-C4	EJ393265	21-66	ER346601	19-R5	EZ225180	21-31x
BA447041	16-1x	EC336216	20-C9	EJ437310	21-30	ER346601	20-R6	EZ225180	21-67x
BA555377	11-1x	EC336216	20-C14	EJ437321	21-35	ER349907	19-R4	EZ246936	21-75x
BA555388	10-1x	EC338488	17-C2	EJ450573	7-154	ER350100	18-R9	EZ294401	21-115
BA555412	2-6	EC339063	19-C5	EJ450573	9-P2	ER350100	20-R13	EZ305087	8-3
BA555412	9-1x	EC339096	19-C7	EJ450573	21-111	ER357412	19-R16	EZ305471	21-109
BA555423	12-1x	EC350987	11-C1,2	EJ452340	1-72	ER357456	12-R10	EZ307361	18-2
BA555491	14-1x	EC368335	20-C15	EJ452351	12-P5	ER357456	12-R14	EZ307980	21-82
BA555502	13-1x	EC379157	18-C6	EJ554951	1-73x	ER357456	18-R12	EZ308002	17-2
BA555513	13-2x	EC380621	21-20x	EL295312	21-43	ER357456	18-R14	EZ308485	21-108
BA555568	15-1x	EC389485	18-C7,8	EL295312	21-96	ER357535	9-R7	EZ309240	21-114
BA555636	18-1x	EC399690	20-C16	EM437332	21-40	ER357535	18-R10	EZ309262	8-4
BA555647	20-1x	EC399734	18-C1	EO243988	20-L1	ER361642	13-R4	EZ309273	8-2
BA555658	20-2x	EC423562	20-C3	EO244012	18-L2	ER362272	18-R13	EZ310814	17-5
BC555243	22-1	EC432810	20-C1	EO369178	9-L1	ER362441	19-R8,9	EZ377583	23-43x
BC555254	22-2x	EC439097	14-C5	EO453521	14-T1	ER376413	21-24x	EZ382263	21-74
BF436961	5-1x	EC446242	14-C4	EP303614	9-RL1	ER376435	7-127	EZ397124	7-50
BH555390	1-1x	EC450055	20-C8	EP318115	1-14	ER376435	10-CR1 to 4	EZ413695	13-4
BH555401	2-1x	EC450281	9-C2	EP344136	12-RL1	ER376435	11-CR1,2	EZ424517	21-17
BL304997	6-36x	EC476965	20-C7	EP369685	2-21	ER376435	12-CR1 to 5	EZ436217	23-25
BL309690	8-1x	EC517138	20-C5	ER211320	9-R6	ER379473	20-R17	EZ436454	21-8
BL316484	7-141	EC520626	7-68	ER211320	20-R14	ER380711	12-R2	EZ436465	8-8
BL555344	4-11x	EC554804	7-66	ER211465	9-R5	ER399060	18-R8	EZ436465	21-76
BM314741	3-1	EC557651	13-C1,2	ER211465	12-R16	ER399644	13-R5,6	EZ436476	21-2
BM555355	4-1	EC561025	14-TC1,2	ER211465	12-R18	ER399644	19-R12,13	EZ436487	21-7
BR317395	3-2x	ED219464	12-D4	ER211465	16-R3,4	ER413717	13-R2	EZ436522	21-85x
BR448110	3-3x	ED219464	16-D1,2	ER211465	18-R6	ER429794	19-R10,11	EZ436645	13-3
BS432393	7-119	ED219464	17-D1,2	ER211667	12-R20	ER429996	12-R17	EZ436768	21-29
BS447502	7-120x	ED224526	13-D1,2	ER211667	20-R12	ER429996	12-R19	EZ447232	8-9x
BT247746	16-T1,2	ED224550	12-D1	ER211757	12-R11	ER450011	18-R5	EZ447232	21-77x
BT329117	19-T1	ED324551	19-TH1,2	ER211757	20-R1,2	ER514912	19-R1	EZ448020	21-46x
BT437376	21-3	ED329130	13-D3	ER211757	20-R7	ER554850	11-R1	EZ448031	21-45
BZ248027	7-13x	ED384096	12-D9,10	ER212264	9-R8	ER554872	11-R2	EZ540810	21-11
BZ314820	7-1x	ED494583	9-D4	ER212264	12-R12	ER554894	11-R3	EZ540821	21-12x
BZ436915	21-1x	ED511097	9-D5,6	ER212264	12-R15	ER555017	13-R1	EZ541045	21-122
BZ437793	5-6	ED511918	13-D4	ER212264	18-R1,2	ER555028	14-R1	EZ541056	21-123
BZ555366	7-20x	ED514721	9-D1,2,3	ER212264	20-R8	ER555660	20-R3	EZ546873	21-95
EA339164	21-47	ED514721	12-D2,3	ER212477	12-R5	ER556503	12-R1	EZ549167	6-23x
EA436735	21-42	ED514721	12-D5 to 8	ER212477	20-R4	ER556615	22-20	EZ549167	7-153
EA463206	1-50	EF277413	21-58x	ER212681	17-R3	ES227902	2-69	HE224122	2-50
EC220105	19-C10	EF277413	23-61x	ER212681	20-R5	ES227902	9-SW10	HE563220	1-37
EC220364	20-C10	EF304626	23-62x	ER212681	20-R15	ES250020	2-11	HL246813	2-17
EC220364	20-C13	EF323616	21-57x	ER212883	9-R2	ES302040	21-13	HL317676	1-17
EC220421	9-C4	EF323616	23-58x	ER212883	12-R4	ES302207	18-SW1	HL541157	1-69
EC220421	19-C6	EF394773	23-56x	ER212883	12-R6,7,8	ES307877	17-SW1	HL541168	1-67
EC220590	16-C1,2	EF563657	21-55x	ER212883	12-R13	ES316923	6-2	HL542687	1-68
EC220590	20-C4	EF563657	23-57x	ER212883	13-R3	ES317744	1-33	HP258265	2-42
EC220590	21-41x	EF563681	23-52x	ER212883	14-R5	ES374051	21-16	HP462554	1-49
EC220612	12-C8	EF563681	23-60x	ER212883	20-R16	ES436983	21-22	HZ218272	2-30
EC220994	12-C3	EF563703	21-56x	ER213120	19-R14	ES437501	6-5	HZ218327	2-36
EC220994	20-C12	EF563703	23-51x	ER213647	18-R3	ES438535	7-124	HZ218362	2-19
EC243988	18-L1	EF563703	23-59x	ER213647	21-34x	ES445050	12-23x	HZ222658	2-5x
EC250604	19-C1,2	EJ205986	7-128x	ER213873	21-61x	ES447175	18-SW6	HZ223920	2-37
EC250683	20-C11	EJ229353	6-21x	ER304290	19-R17	ES457514	15-SW4	HZ224166	2-49
EC250841	14-C2,3	EJ229353	7-151x	ER304402	14-R4	ES479485	6-17	HZ225213	2-7
EC250885	9-C5	EJ229353	12-2x	ER304402	17-R8	ES479485	6-22x	HZ225573	2-13
EC250885	12-C4,5,6	EJ233370	21-53	ER304402	20-R11	ES479485	7-122	HZ229026	2-38
EC250885	17-C1	EJ243191	7-155x	ER306360	17-R6	ES479485	7-152	HZ231862	2-27
EC250975	15-C2,5	EJ243191	9-2x	ER306360	19-R15	ES554837	7-25	HZ231917	2-28
EC250975	18-C5	EJ256533	21-64	ER306843	16-R1,2	ET234753	18-TR1	HZ243191	2-12x
EC251087	12-C7	EJ293084	18-J1	ER306843	17-R5	ET234832	20-TR1 to 4	HZ243191	21-112x
EC251087	12-C9	EJ295953	2-63	ER306887	9-R1	ET304255	14-TR1,2	HZ248073	2-2
EC251087	19-C3	EJ298607	21-63	ER306887	17-R4	ET329218	19-TR1	HZ253620	2-55
EC251155	17-C3	EJ299788	21-89	ER306887	18-R7	ET338894	19-TR2	HZ258030	2-59
EC290564	19-C4	EJ300508	6-20x	ER306887	20-R10	ET375603	9-TR2	HZ258456	2-41
EC308068	21-80	EJ300508	7-150	ER315944	14-R2,3	ET393614	21-48	HZ275567	2-40
EC311793	21-21x	EJ308981	22-21	ER324641	21-60x	ET453486	9-TR1	HZ298012	1-42
EC316091	12-C2	EJ310847	17-J1	ER324641	21-92x	ET453486	9-TR3	HZ303750	2-44
EC316113	12-C1	EJ310871	21-86	ER324764	17-R7	ET453486	12-TR1 to 6	HZ315077	7-116
EC320051	9-C1	EJ315101	7-59	ER336442	9-R3,4	ET476886	13-TR1	HZ315090	7-117
EC320051	18-C2	EJ328320	21-87	ER336442	9-R9	EV310972	21-26	HZ317092	1-86
EC320051	19-C8	EJ328320	21-110x	ER336442	12-R3	EV338916	19-VR1,2	HZ317597	1-3
EC320051	20-C6	EJ336238	21-88	ER336442	12-R9	EV411783	21-27x	HZ317632	1-26
EC320051	20-C13	EJ338005	21-65	ER336442	18-R3	EV497698	20-VR1	HZ317687	1-18
EC329850	20-C2	EJ365703	1-32	ER336442	18-R4	EV498060	18-VR1,2	HZ317698	1-11
EC331738	9-C3	EJ368785	6-19x	ER336442	19-R6,7	EW315448	21-73x	HZ317700	1-12
EC331817	19-C9	EJ368785	7-149x	ER336442	20-R9	EW486797	21-72x	HZ317733	1-31
EC331828	18-C3	EJ369077	21-28	ER338940	19-R2,3	EW524845	21-71x	HZ318036	1-76
EC336115	13-C3	EJ374578	21-69	ER343078	18-R11	EW540112	21-70	HZ318047	1-75

SECTION 3

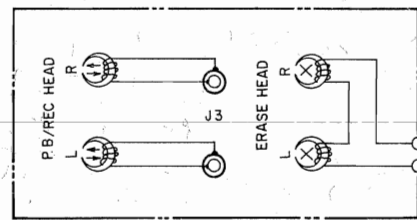
SCHEMATIC DIAGRAM

1. GX-1820 SCHEMATIC DIAGRAM
2. GX-1820D SCHEMATIC DIAGRAM

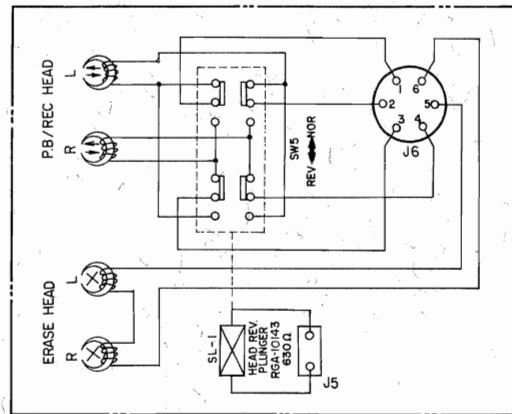




CARTRIDGE P.C. BOARD MC-3202

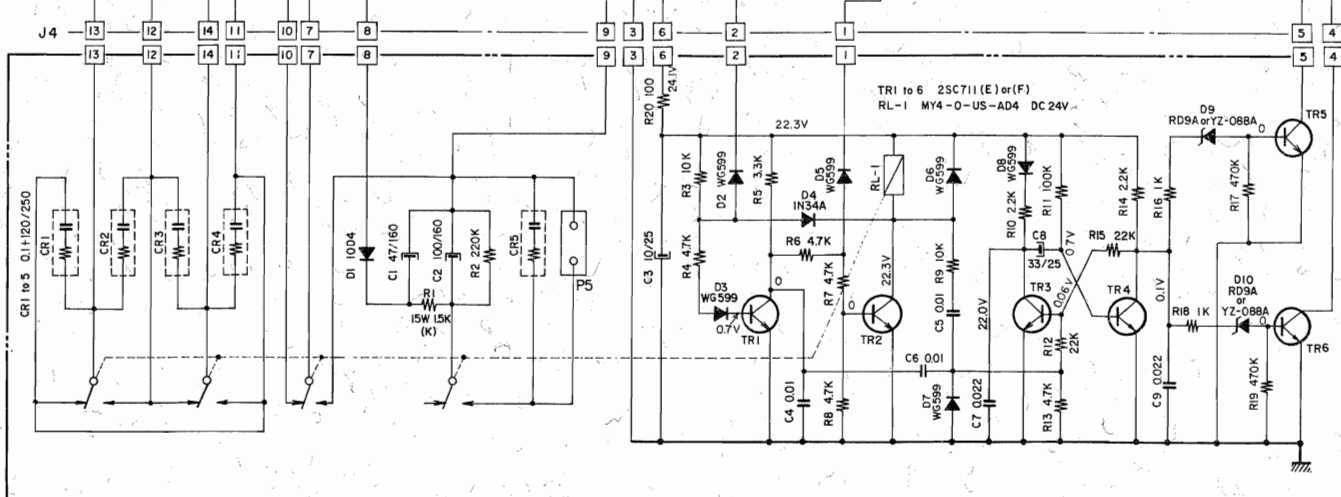
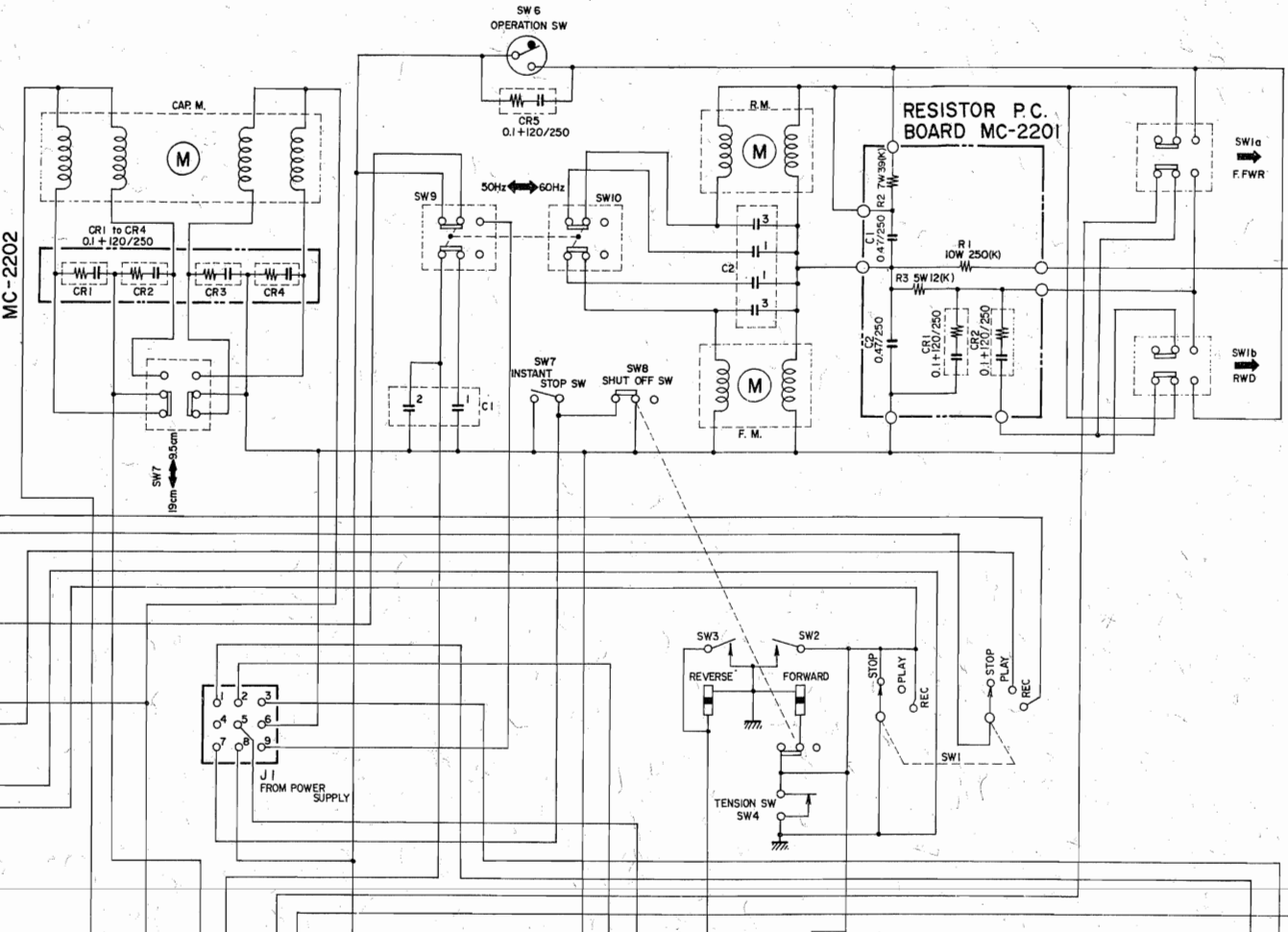


CART. HEAD BLOCK



OPEN REEL HEAD BLOCK

SPARK QUENCHER P.C. BOARD MC-2202



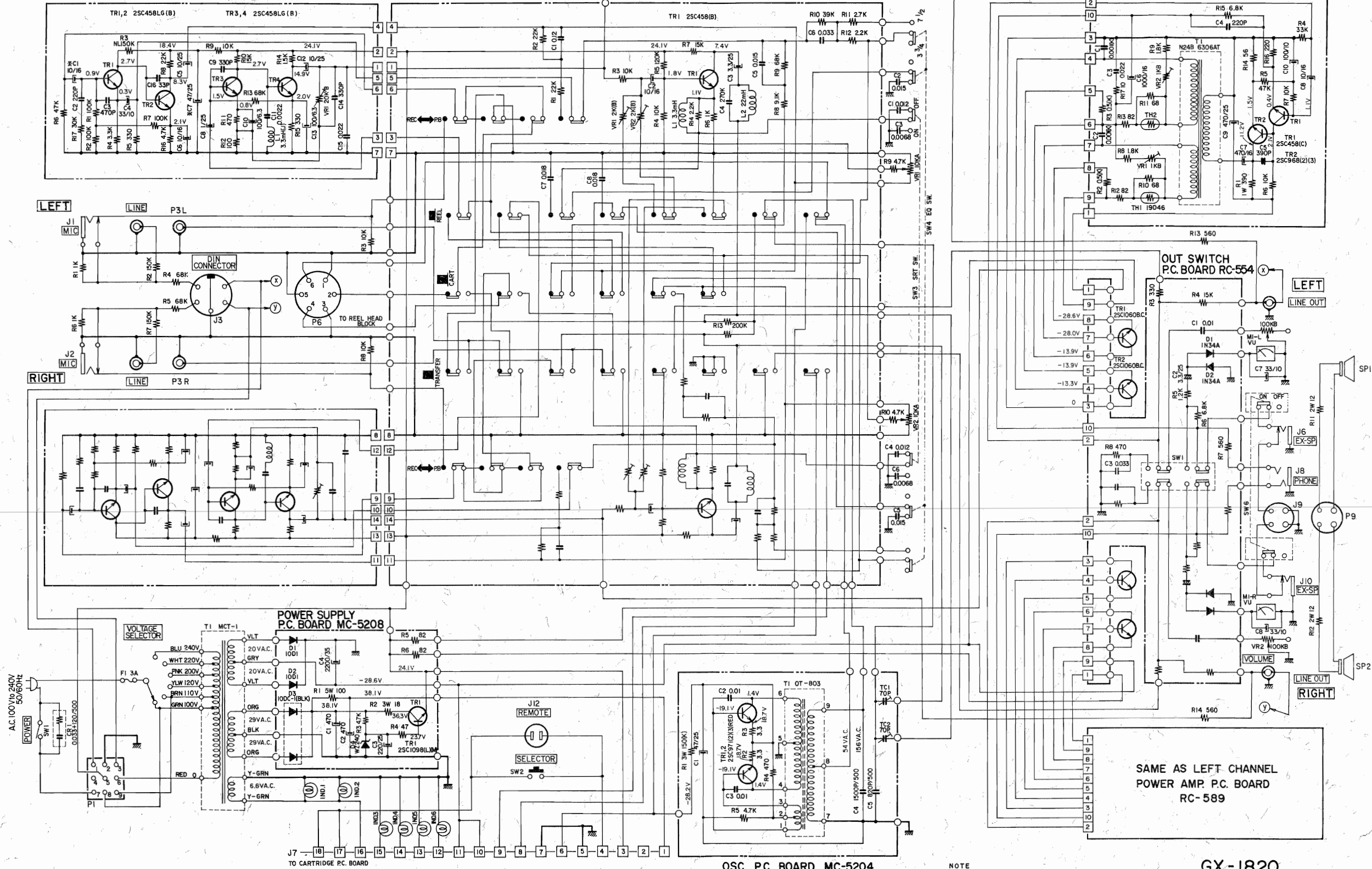
SYSTEM CONTROL P.C. BOARD MC-2205

NOTE
UNLESS OTHERWISE SPECIFIED
ALL RESISTOR IN Ω 1/4W (J)
ALL CAPACITORS IN μ F 50WV (J)

PRE AMP. P.C. BOARD MC-5207

MODE SW. P.C. BOARD RC-553

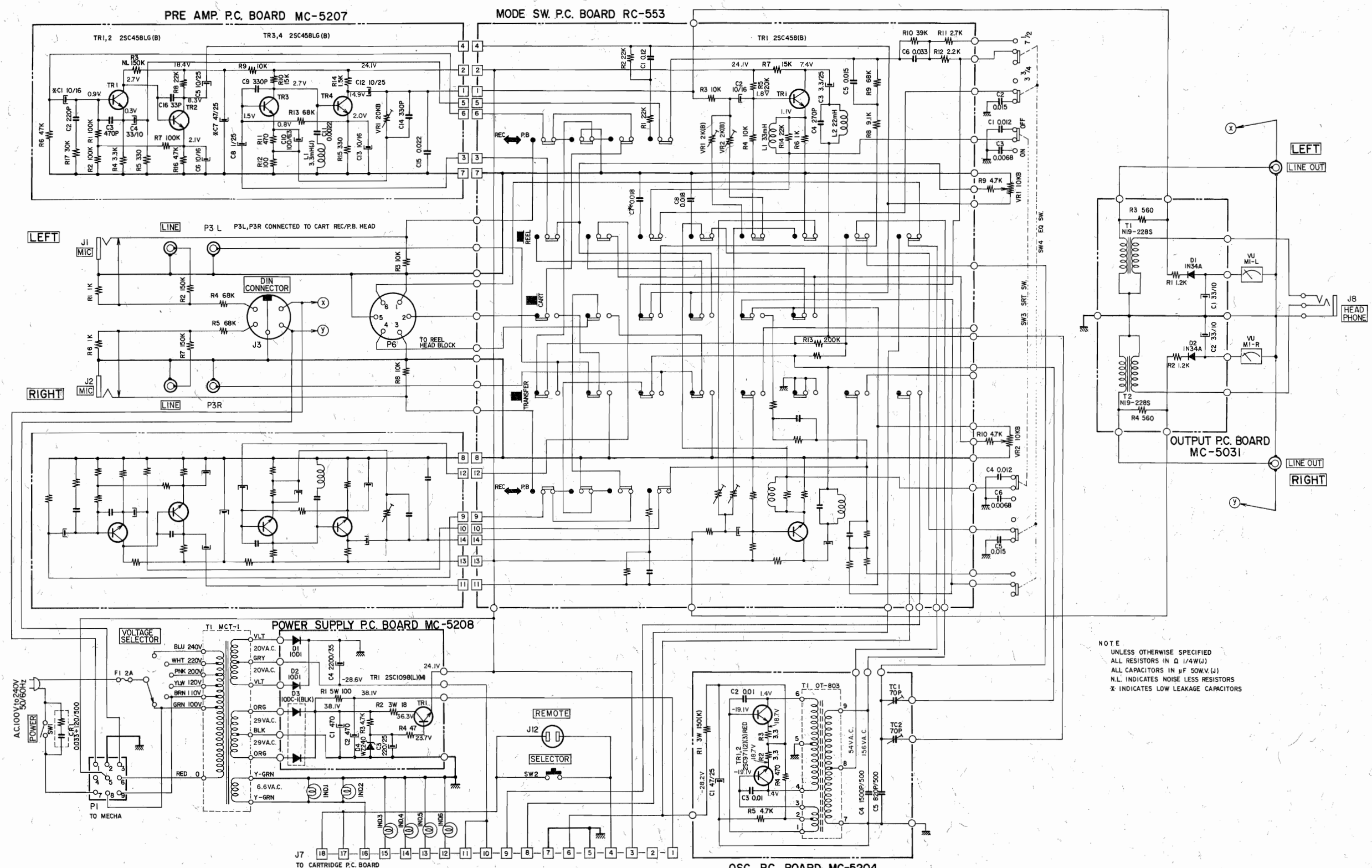
POWER AMP. P.C. BOARD RC-589



SAME AS LEFT CHANNEL
POWER AMP. P.C. BOARD
RC-589

NOTE
 UNLESS OTHERWISE SPECIFIED
 ALL RESISTORS IN Ω 1/4W(J)
 ALL CAPACITORS IN μ F 50W.V.(J)
 N.L. INDICATES NOISE LESS RESISTORS
 * INDICATES LOW LEAKAGE CAPACITORS

GX-1820
 SCHEMATIC DIAGRAM
 NO.3-2 1461803A



NOTE
 UNLESS OTHERWISE SPECIFIED
 ALL RESISTORS IN Ω 1/4W(1/2)
 ALL CAPACITORS IN μ F 50WV (1)
 N.L. INDICATES NOISE LESS RESISTORS
 X INDICATES LOW LEAKAGE CAPACITORS