



STEREO TAPE DECK

MODEL GX-265D

SECTION 1	SERVICE MANUAL	3
SECTION 2	PARTS LIST	25
SECTION 3	SCHEMATIC DIAGRAM	48

INDEX

Parts No.	Ref. No. & Symbol No.	Parts No.	Ref. No. & Symbol No.	Parts No.	Ref. No. & Symbol No.	Parts No.	Ref. No. & Symbol No.	Parts No.	Ref. No. & Symbol No.
MZ643994	10-48	ZS304806	1-49	ZW270101	5-21				
MZ644005	10-53	ZS323728	1-13	ZW270101	8-9				
MZ644027	10-40	ZS323728	6-25	ZW270101	10-8				
MZ644040	10-38	ZS323728	8-48	ZW270134	8-107				
MZ644062	5-14	ZS325495	(4)-4	ZW270156	8-112				
MZ644106	8-33	ZS325495	(6)-4	ZW273756	1-52				
MZ644196	5-12	ZS325495	7-14	ZW273756	(3)-3				
MZ647133	7-17x	ZS325495	7-29x	ZW273756	(4)-7				
MZ652533	8-94	ZS325495	8-121x	ZW273756	8-6x				
MZ655975	10-25	ZS325495	8-126x	ZW273778	3-13x				
MZ669532	8-95x	ZS325495	10-23	ZW274026	8-25x				
MZ802980	8-39	ZS365973	3-18	ZW274026	8-100x				
MZ810191	1-22	ZS369145	10-46x	ZW290283	4-16				
MZ810191	5-15	ZS379350	4-23	ZW290283	6-20				
MZ810191	8-105	ZS379350	6-15	ZW290283	8-54				
SA632081	11-17x	ZS379350	7-27x	ZW290283	10-22x				
SB631146	4-34	ZS379405	11-10x	ZW322525	10-16x				
SB631157	4-35	ZS383951	7-33x	ZW322525	10-43x				
SB631168	4-36	ZS396000	1-26	ZW334653	8-99				
SC642734	11-24	ZS403222	3-20	ZW345442	8-38x				
SC642745	11-3	ZS413201	1-4	ZW374545	6-14				
SE534238	11-14x	ZS413201	1-55x	ZW374545	6-32				
SE581602	11-11	ZS413201	7-9x	ZW381881	10-45x				
SE613866	11-12	ZS413234	2-11	ZW383635	8-103				
SE626951	11-13	ZS413785	1-12	ZW393851	8-98				
SE627120	11-20x	ZS416687	1-6x	ZW396437	1-19				
SE639674	11-8x	ZS417216	4-6	ZW397146	5-23x				
SE642767	11-9	ZS417216	(4)-8	ZW397146	8-67x				
SE642870	11-6	ZS417216	6-19	ZW413188	8-41				
SK597633	2-4	ZS417216	8-32	ZW413278	8-26x				
SK631056	11-31	ZS417216	8-34x	ZW416698	7-8x				
SK631067	11-30	ZS417216	8-46	ZW419646	5-8				
SK631078	11-29	ZS417216	8-86x	ZW419646	5-19x				
SK638976	6-21	ZS417216	8-116x	ZW424495	6-29				
SK638976	10-56	ZS417216	10-10	ZW424980	11-18x				
SK643004	10-14	ZS421806	(3)-2	ZW425002	1-11				
SK644117	6-23	ZS421806	(4)-6	ZW447568	11-5x				
SK646053	11-28	ZS422076	(3)-7	ZW527422	1-46				
SM642756	11-26x	ZS422076	(3)-7	ZW535094	5-29				
SM642835	11-21x	ZS422076	4-24x	ZW562476	1-10				
SM647245	7-34x	ZS422076	5-11	ZW562476	4-31				
SP643364	11-2	ZS422076	5-27	ZW562476	10-30				
SZ480712	11-19x	ZS422076	6-11	ZW589893	10-44x				
SZ632070	11-16	ZS422076	7-26x	ZW597543	2-2				
SZ639685	11-7	ZS422076	8-19x	ZW597622	2-3				
SZ642723	8-128	ZS422076	8-61	ZW601075	5-9				
SZ642723	10-57	ZS422076	8-83	ZW601075	5-20x				
SZ642802	10-58	ZS422965	5-25x	ZW601075	10-15x				
TC515575	6-27	ZS424056	3-19	ZW603775	2-13x				
ZG227452	1-50	ZS424056	7-7	ZW603786	2-12				
ZG232121	1-14	ZS425981	3-16x	ZW622001	8-12x				
ZG232121	6-34	ZS432674	10-21	ZW622012	8-13x				
ZG232121	8-110	ZS444262	8-29	ZW625241	4-22				
ZG255633	3-7	ZS460440	1-30x	ZW625241	6-13				
ZG315011	8-55	ZS461395	1-35x	ZW625241	6-31				
ZG317496	3-15	ZS461395	1-39x	ZW653163	10-29x				
ZG466312	1-31	ZS479474	6-10						
ZG514440	6-28	ZS483502	8-3x						
ZG527477	1-21	ZS483502	8-69x						
ZG527938	8-118	ZS487866	1-47						
ZG529211	8-7	ZS527681	8-129						
ZG567696	6-33	ZS562432	1-32						
ZG580746	5-13	ZS608253	5-24x						
ZG580746	5-28x	ZS608264	8-68						
ZG580768	8-101	ZS608264	8-72x, 73x						
ZG640124	8-111	ZS608275	4-25x						
ZG640304	4-26	ZS613901	11-22						
ZG642903	10-31	ZW259738	8-8x						
ZG642914	10-20	ZW270088	3-9						
ZG643015	10-13	ZW270088	4-12						
ZG643026	10-7	ZW270088	6-30						
ZG643037	10-6	ZW270088	8-14x						
ZG643285	8-96	ZW270088	8-22x						
ZG644016	10-41	ZW270088	8-37x						
ZG644095	8-40	ZW270088	8-64x						
ZG644152	4-13	ZW270088	8-88x						
ZG644163	4-32	ZW270088	8-109						
ZG644185	4-14	ZW270088	10-39x						
ZG669543	8-79	ZW270101	1-17						
ZS200395	5-30	ZW270101	5-10						

I. SPECIFICATIONS

An asterisk next to a figure indicates the minimum guaranteed performance.

TRACK SYSTEM		4 track 2 channel stereo/monaural system
TAPE SPEED		7-1/2 and 3-3/4 ips $\pm 0.7\%$ *7-1/2 ips (19 cm/sec) $\pm 0.8\%$ *3-3/4 ips (9.5 cm/sec) $\pm 1.0\%$
WOW AND FLUTER		Less than 0.06% WRMS at 7-1/2 ips Less than 0.09% WRMS at 3-3/4 ips *Less than 0.1% RMS at 7-1/2 ips (FWD/REV) *Less than 0.15% RMS at 3-3/4 ips (FWD/REV)
TOTAL WOW AND FLUTER		*Less than 0.1% at 7-1/2 ips (FWD/REV) *Less than 0.15% at 3-3/4 ips (FWD/REV)
FREQUENCY RESPONSE		30 to 25,000 Hz ± 3 dB at 7-1/2 ips 30 to 19,000 Hz ± 3 dB at 3-3/4 ips (Using AKAI LN-150-7 tape) *30 to 22,000 Hz ± 3 dB at 7-1/2 ips *30 to 18,000 Hz ± 3 dB at 3-3/4 ips
HARMONIC DISTORTION		Less than 0.5%
TOTAL HARMONIC DISTORTION		*Less than 1.0% at 7-1/2 ips *Less than 2.0% at 3-3/4 ips
SIGNAL TO NOISE RATIO		*Better than 50 dB
TOTAL SIGNAL TO NOISE RATIO		*Better than 47 dB
OUTPUT	LINE DIN PHONE	*0.775V (0 dBm ± 1.0 dB/0 dBm ± 1.5 dB, FWD/REV) 0.5V 30 mV/8 ohm At playback of a 700 Hz "0" VU pre-recorded test tape. (Output Volume at maximum)
INPUT	MIC LINE DIN	More than 0.25 mV/5 k ohm More than 70 mV/150 k ohm More than 3 mV At "0" VU output. (Recording Volume at maximum)
RECORDING/PLAYBACK LEVEL		*0.775V (0 dBm ± 1.5 dB) FWD/REV deviation: ± 1.5 dB
CROSS TALK		Better than 40 dB, stereo Better than 55 dB, monaural
ERASE RATIO		Better than 70 dB
BIAS FREQUENCY		103 kHz $\pm 5\%$
BIAS LEAK		Better than -30 dB
HIGH FREQUENCY DEVIATION		Between FWD playback channels: within 3 dB Between REV playback channels: within 4 dB Between FWD and REV: within 3.5 dB At playback of an 8,000 Hz 3-3/4 ips pre-recorded test tape at 7-1/2 ips
RECORDING TIME		90 min stereo recording at 7-1/2 ips, using a 1,800 ft tape
F.FWD AND RWD TIME		Approximately 120 sec at 50 Hz, using a 1,800 ft tape
MOTOR	MAIN MOTOR REEL MOTOR	2 speed AC servo control outer rotor motor Type: SCM2-24KJ 4 pole Revolutions: 615 rpm at 7-1/2 ips (19 cm/sec) 307.5 rpm at 3-3/4 ips (9.5 cm/sec) Two 6 pole eddy current outer rotor motors Type: 24XO-MR Revolutions: 930 rpm at 50 Hz 1,120 rpm at 60 Hz

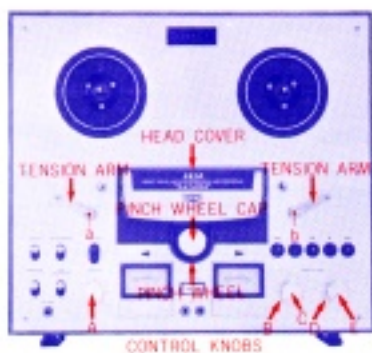
HEAD	RECORDING/ERASE COMBINATION HEAD	Type: RE4-6 Gap: REC HEAD: 4 microns ERASE HEAD; double gap Impedance: REC HEAD; 1,400 ohm \pm 25% at 100 kHz ERASE HEAD; 130 ohm \pm 7% at 100 kHz DC Resistance: REC HEAD; 5.5 ohm ERASE HEAD; 1.8 ohm
	PLAYBACK HEAD	Type: P4-202 Gap: 1.7 \pm 0.5 microns Impedance: 1,400 ohm at 1 kHz DC Resistance: 268 ohm
REVERSING TIME		5 to 6 sec at 7-1/2 ips (muting interval)
TRANSISTOR		2SA564(Q)(R) . . . 1 2SC1211(D)(E) . . . 2 2SC458LG(C) . . . 14 2SD361(D1)(D2) . . . 2 2SC945(P)(Q)(R) . . . 18 TIP48 1 2SC945L(Q)(R) 1
DIODE		1N34A . . . 2 1S2473VE . . . 6 1N4001 . . . 4 10D2 . . . 4 1N4003 . . . 5 10D4 . . . 1 1S1588 . . . 1 RD5A(M) . . . 1 1S2473 . . . 1
POWER REQUIREMENTS AND CONSUMPTION		100 to 240V AC 50/60 Hz, 90W (Universal models) 240V AC 50 Hz, 90W (BSI Models) 220V AC 50 Hz, 90W (CEE Models) 120V AC 60 Hz, 90W (CSA Models) 100V AC 50/60 Hz, 60/65W (JPN Models)
DIMENSIONS		440(W) \times 404(H) \times 208(D) mm (17.3" \times 15.9" \times 8.2") Dimensions include all protruding parts.
WEIGHT		16.6 kg (36.5 lbs)

- NOTE: 1. Specifications determined with SCOTCH #211 tape unless otherwise noted.
2. Specifications subject to change without notice.

II. DISMANTLING OF UNIT

In case of trouble, etc. necessitating disassembly, please disassemble in the order shown in photographs. Reassemble in reverse order.

1



2



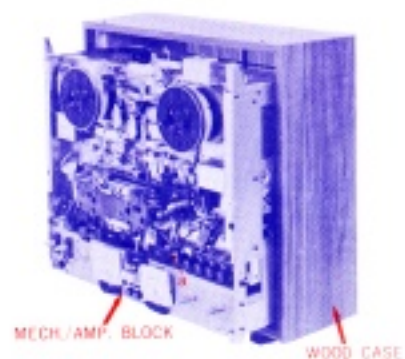
3



4



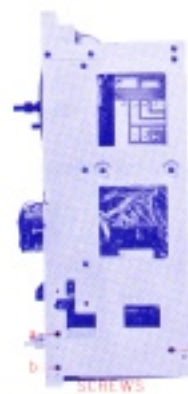
5



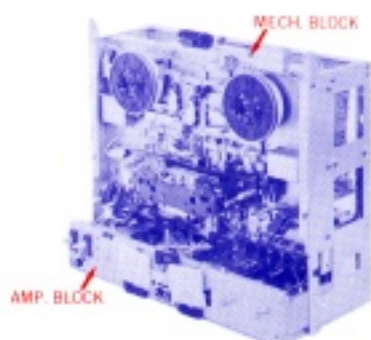
6



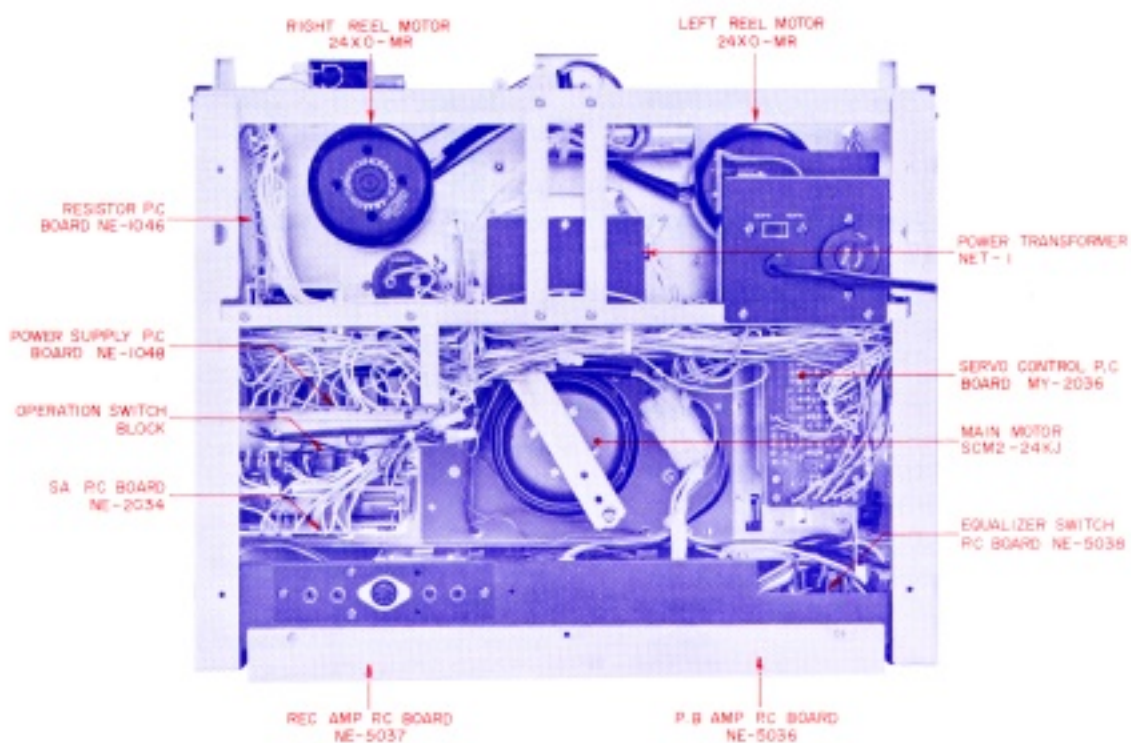
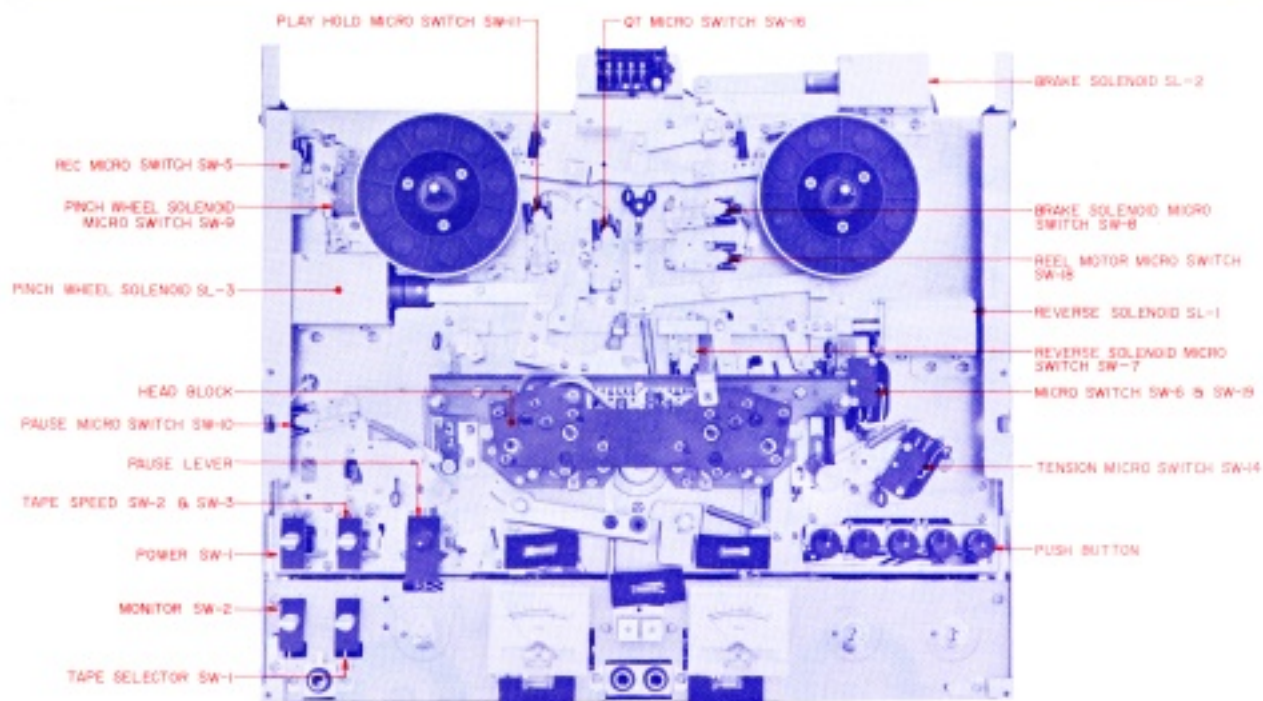
7



8



III. ARRANGEMENT OF PRINCIPAL PARTS



IV. MECHANISM ADJUSTMENT

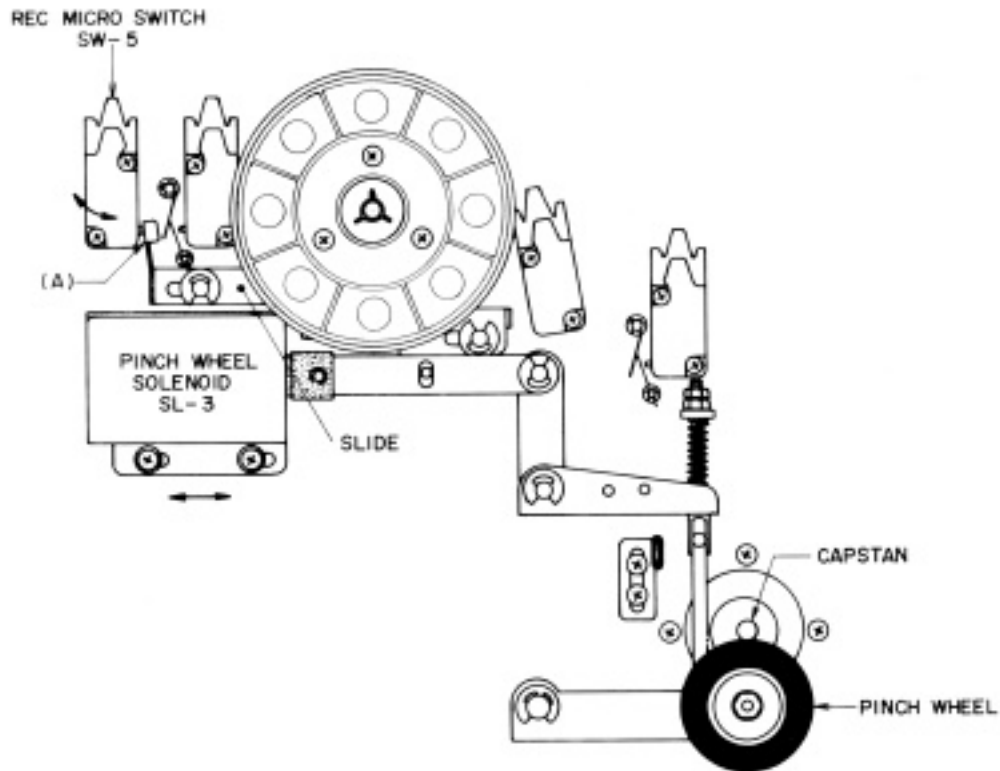


Fig. 1

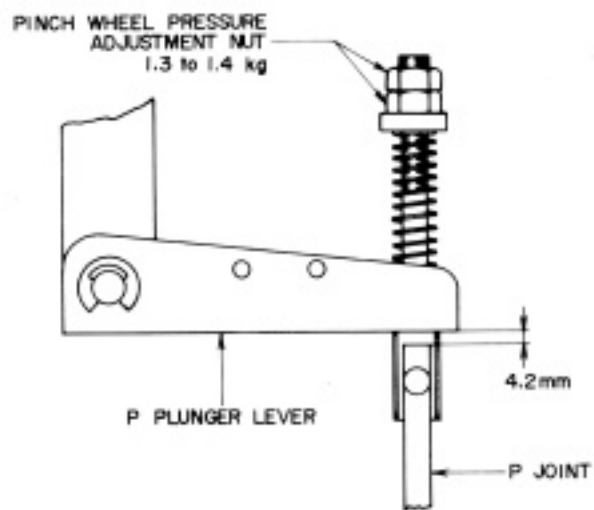


Fig. 2

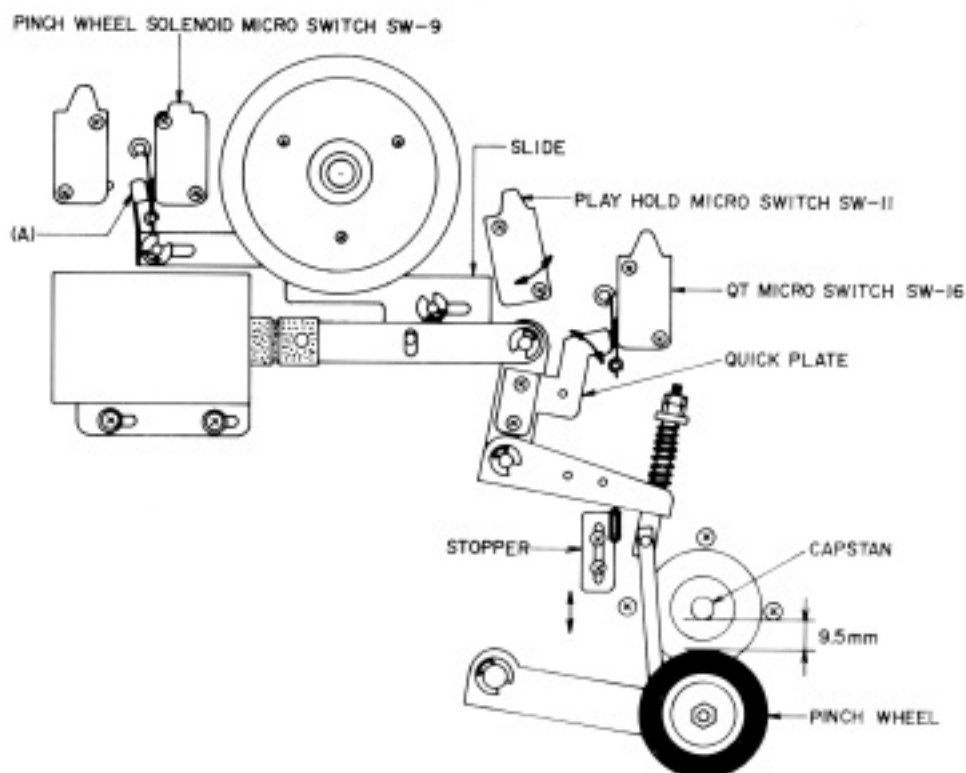


Fig. 3

1. POSITION ADJUSTMENT OF PINCH WHEEL SOLENOID SL-3 (Refer to Fig. 1)

- 1) Remove head block.
- 2) Insert a 4.2 mm gauge (a U type washer etc.) between the P Plunger Lever and P Joint (Refer to Fig. 2).
- 3) Set the deck to playback mode and fix Pinch Wheel Solenoid at position at which the pinch wheel begins to rotate.

2. PINCH WHEEL POSITION ADJUSTMENT AT STOP MODE (Refer to Fig. 3)

- 1) Remove head block.
- 2) Adjust Stopper so that the clearance between Pinch Wheel and Capstan Shaft is 9.5 mm.

3. PINCH WHEEL PRESSURE ADJUSTMENT (Refer to Fig. 2)

Adjust Pinch Wheel Pressure Adjustment Nut so that pinch wheel pressure is 1.3 to 1.4 kg.

4. POSITION ADJUSTMENT OF PLAY HOLD MICROSWITCH SW-11 (Refer to Fig. 3)

Adjust Play Hold Microswitch position so that at stop mode, the Play Hold Microswitch operates properly and the Slide does not contact the body of the microswitch.

5. SLIDE ADJUSTMENT (Refer to Fig. 3)

Adjust part (A) of the Slide so that at stop mode, the Pinch Wheel Solenoid Microswitch operates properly, and part (A) does not strongly hit against the body of the microswitch.

6. POSITION ADJUSTMENT OF QUICK PLATE (Refer to Fig. 3)

Adjust Quick Plate position so that at stop mode, the Quick Tension Microswitch operates properly, and the Quick Plate does not strongly hit against the body of the microswitch.

7. POSITION ADJUSTMENT OF RECORDING MICROSWITCH SW-5 (Refer to Fig. 1)

Adjust part (A) of the Slide so that at playback mode the Recording Microswitch operates properly, and part (A) does not contact the body of the microswitch.

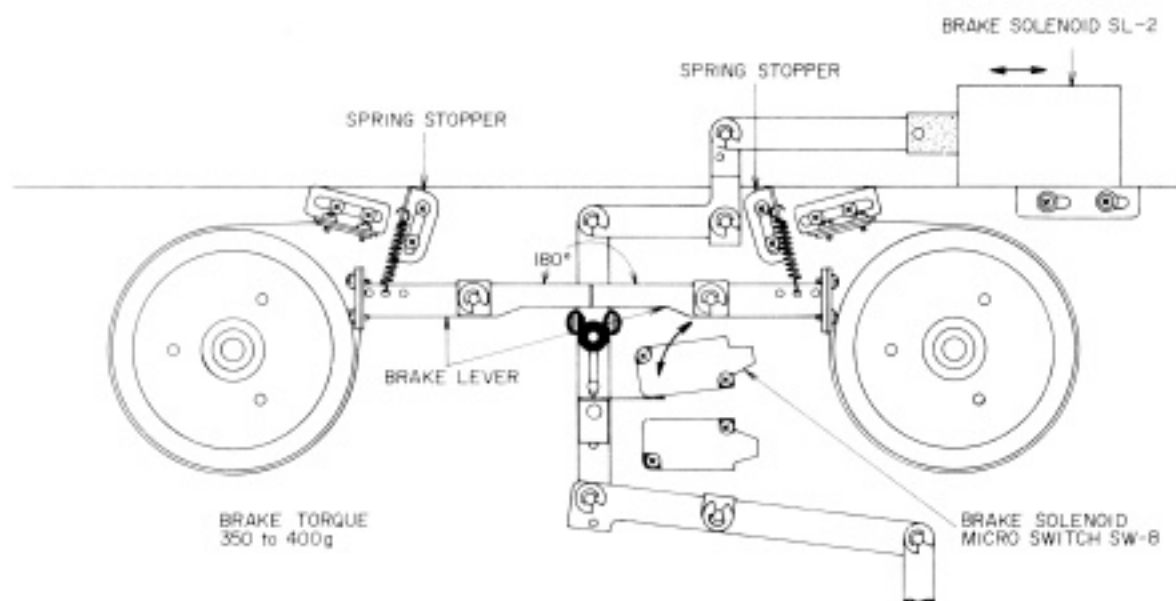


Fig. 4

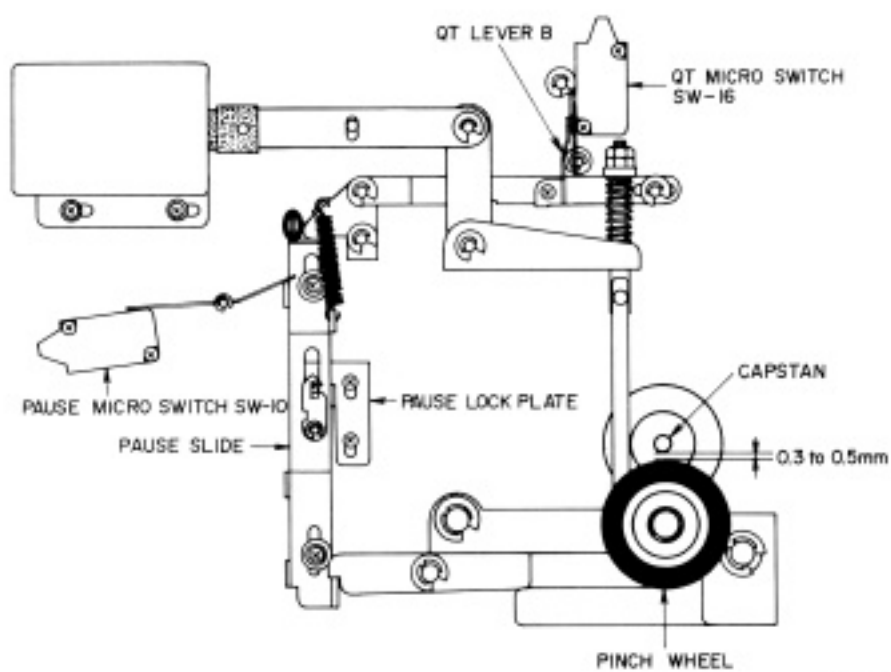


Fig. 5

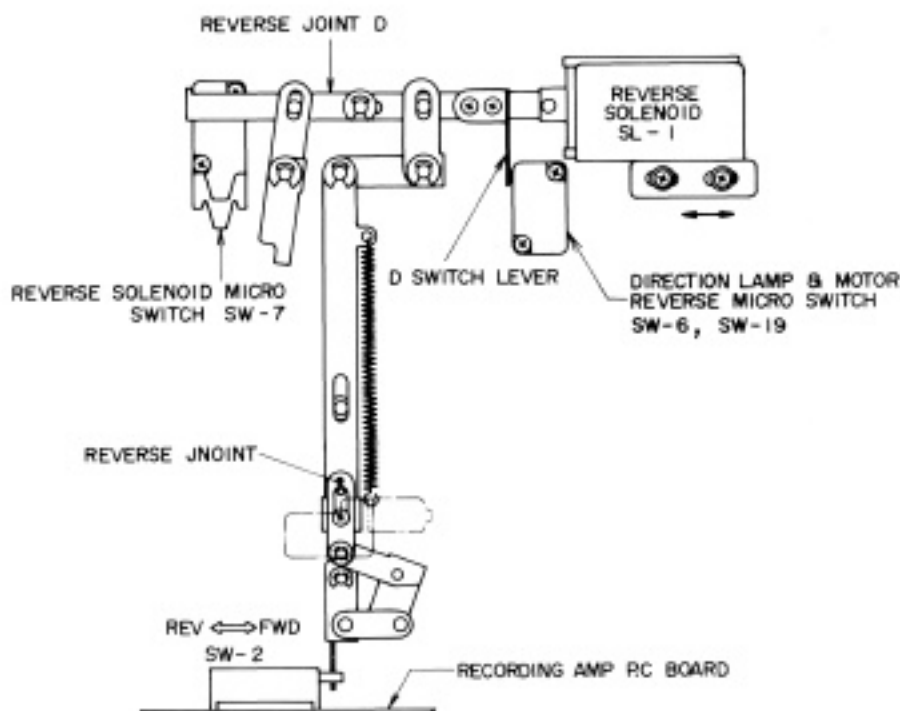


Fig. 6

8. POSITION ADJUSTMENT OF BRAKE SOLENOID SL-2 (Refer to Fig. 4)

Set the deck to playback mode, and fix Brake Solenoid at position at which the left and right brake levers display 180° angle relativity.

9. POSITION ADJUSTMENT OF BRAKE SOLENOID MICROSWITCH SW-8 (Refer to Fig. 4)

Set the deck to playback mode, and adjust Brake Solenoid Microswitch position so that the micro-switch operates properly.

10. BRAKE TENSION ADJUSTMENT (Refer to Fig. 4)

Adjust Spring Stopper position so that the brake tension is 350 to 400g.

11. PAUSE ADJUSTMENT (Refer to Fig. 5)

- 1) At playback mode, lock Pause Lever.
- 2) Adjust Pause Lock Plate position to obtain a 0.3 to 0.5 mm clearance between Pinch Wheel and Capstan.
- 3) When making this adjustment, be careful that the clearance between Pinch Wheel and Capstan does not exceed 0.5 mm.
- 4) Confirm that the Quick Tension Microswitch is pushed when the Pause Lever is depressed and if not, adjust with QT Lever B.

12. POSITION ADJUSTMENT OF REVERSE SOLENOID SL-1 (Refer to Fig. 6)

- 1) Set the deck to reverse mode, and adjust Reverse Solenoid position so that Reverse Joint D activates the Reverse Solenoid Microswitch.
- 2) At this time, be careful that Reverse Joint D does not contact the body of the microswitch.

13. D SWITCH LEVER ADJUSTMENT (Refer to Fig. 6)

Set the deck to reverse mode, and adjust D Switch Lever so that the lever activates the Direction Indicator Lamp and Reel Motor Torque Conversion Microswitches.

14. INSTALLATION POSITION ADJUSTMENT OF REVERSE JOINT (Refer to Fig. 6)

Adjust Reverse Joint installation position so that when the deck is set to reverse mode, FWD ↔ REV Slide Switch of Recording Amp P.C Board (NE-5037) is completely depressed.

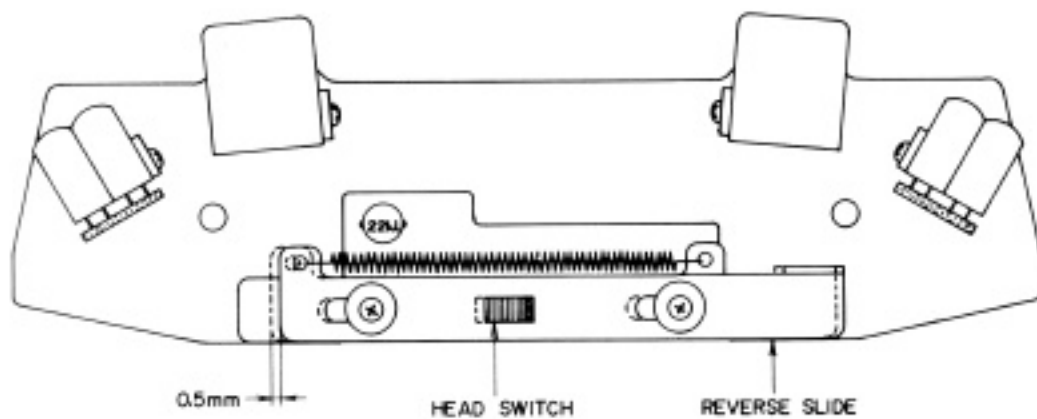


Fig. 7

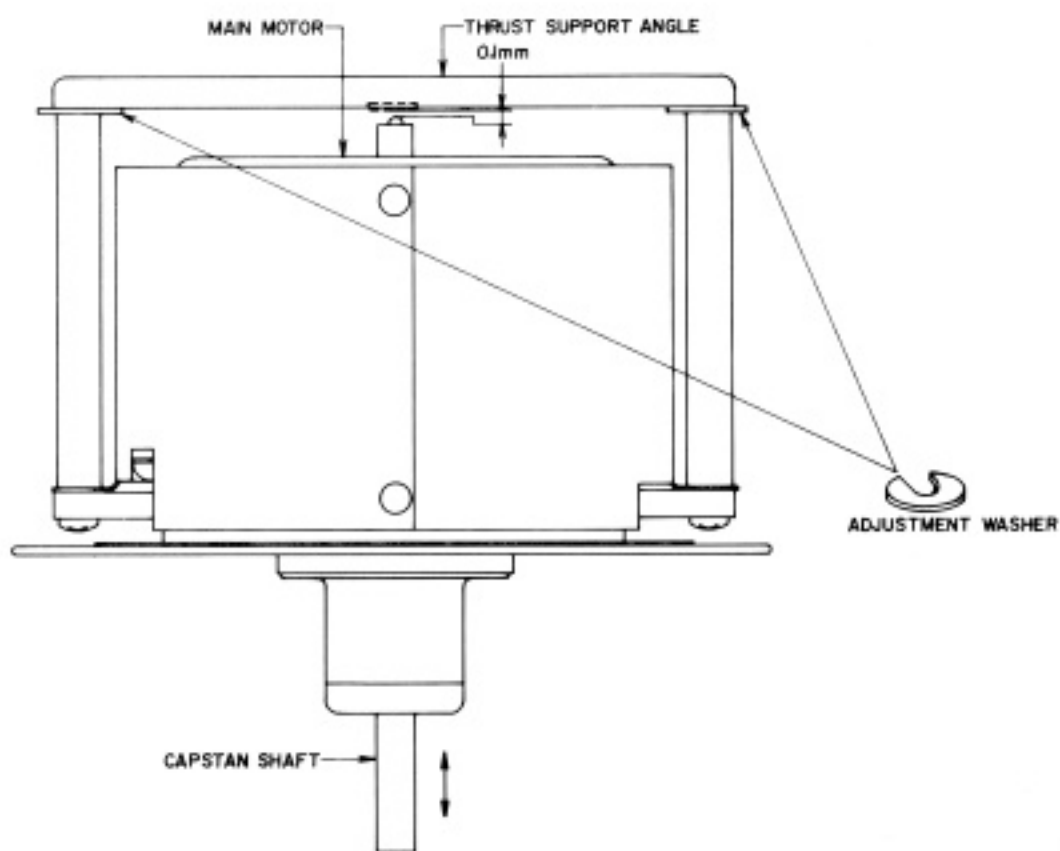


Fig. 8

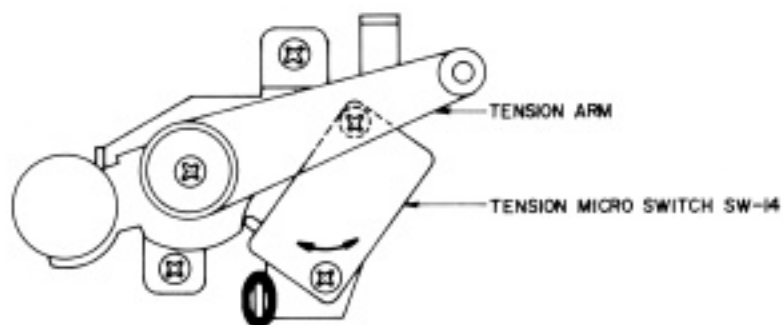


Fig. 9

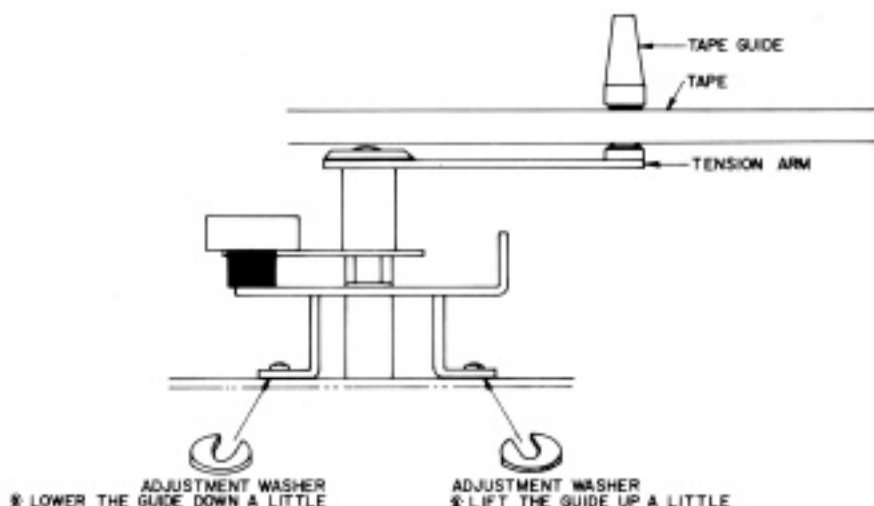


Fig. 10

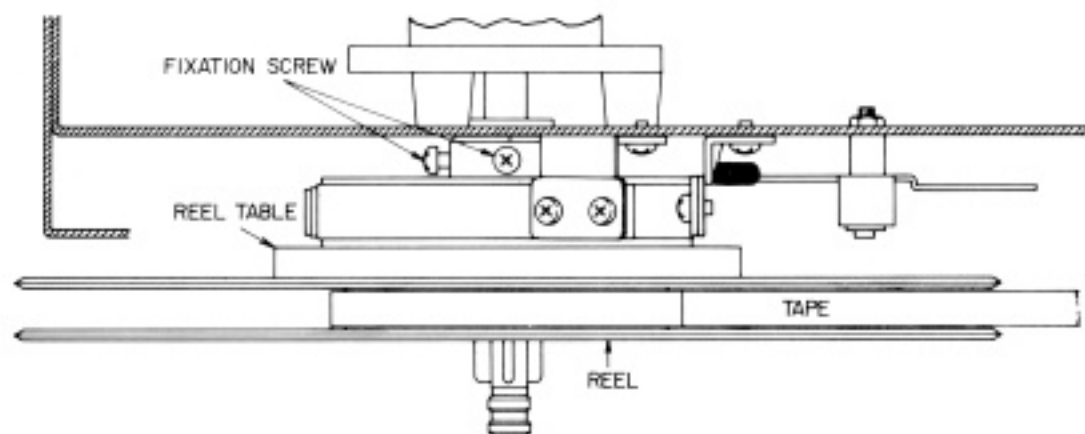


Fig. 11

15. INSTALLATION POSITION ADJUSTMENT OF HEAD SWITCH SW-3 (Refer to Figs. 7 and 12)

Adjust Head Switch installation position so that when the deck is set to reverse mode, the head switch which is mounted on the head block switches to the reverse side and that the reverse slide scope is about 0.5 mm.

16. CAPSTAN SHAFT LOOSE PLAY ADJUSTMENT (Refer to Fig. 8)

Adjust to obtain a clearance of about 0.1 mm between the capstan shaft and thrust support angle.

17. OPERATING POSITION ADJUSTMENT OF TENSION MICROSWITCH SW-14 (Refer to Fig. 9)

Adjust Tension Microswitch position so that when the Tension Arm drops, the microswitch operates perfectly to effect stop mode.

18. TAPE GUIDE HEIGHT ADJUSTMENT (Refer to Fig. 10)

- 1) Adjust Tape Guide height so that the tape does not curl between tape guides on Head Base.
- 2) In case the tape guide is low, adjust by inserting a U Type Washer on the right side in Fig. 10, and in case it is high, adjust by inserting a washer on the left side.

19. REEL TABLE HEIGHT ADJUSTMENT (Refer to Fig. 11)

- 1) Load a tape and set the deck to F.FWD and REV modes. Adjust Reel Table height so that the tape winds on the center of the reels at both modes.
- 2) Tape should wind on center of reel regardless of type of reel used.

V. HEAD ADJUSTMENT

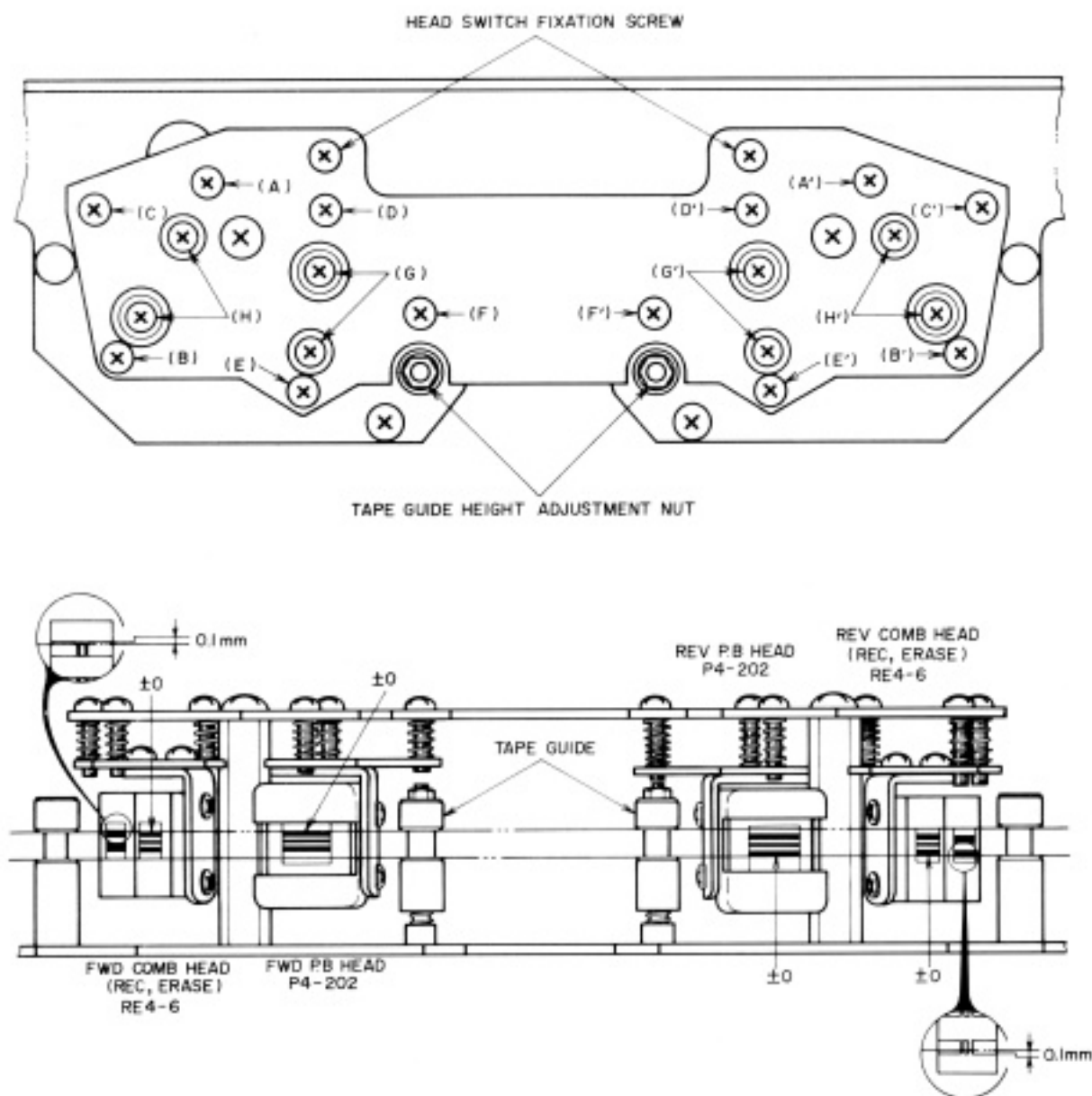


Fig. 12

Step	Adjustment Item	Test Tape Supply Signal	Mode	Adjustment Point	Remarks
1	Tape Guide Height Adjustment	Optional	FWD	Tape Guide Height Adjustment Nut	1) Adjust so that tape travels smoothly and does not twist. 2) Do not thread tape over tension arm.
2	FWD Comb Head Height Adjustment	Optional	FWD	(A)(B)(C)	Upper edges of channel 1 head core and tape are the same height.
3	FWD Playback Head Height Adjustment	Optional	FWD	(D)(E)(F)	Upper edges of channel 1 head core and tape are the same height.
4	FWD Playback Head Azimuth Alignment Adjustment	8,000 Hz 3-3/4 ips Test Tape	FWD	(F)	Maximum output, both channels.
5	FWD Playback Head Gap Alignment Adjustment	8,000 Hz 3-3/4 ips Test Tape	FWD	(G)	Adjust head gap surface so that there is no change in output level when tension is applied to the supply reel side.
6	FWD Comb Head Azimuth Alignment Adjustment	Scotch #211 Tape, 15,000Hz -20 dBm	REC	(C)	Maximum output, both channels.
7	FWD Comb Head Gap Alignment Adjustment	Scotch #211 Tape, 15,000Hz -20 dBm	REC	(H)	Adjust head gap surface so that there is no change in output level when tension is applied to the supply reel side.

Chart 1

- NOTES:
- 1) As perfect head adjustments are vital to tape deck performance, be sure that these adjustments are carried out properly.
 - 2) Be careful not to use a magnetized driver or other magnetized tools in the vicinity of the heads.
 - 3) Use only new tape as level variation is likely to occur when using old tape.
 - 4) Demagnetize heads with head demagnetizer before and after head adjustment.
 - 5) Set tape speed to 7-1/2 ips except in steps 6 and 7.
 - 6) Adjustments outlined in Chart 1 are only for FWD side heads. However, adjustments for REV side heads are exactly the same.

VI. AMPLIFIER SYSTEM ADJUSTMENT

1. DC POWER SUPPLY VOLTAGE ADJUSTMENT (Refer to Fig. 13)

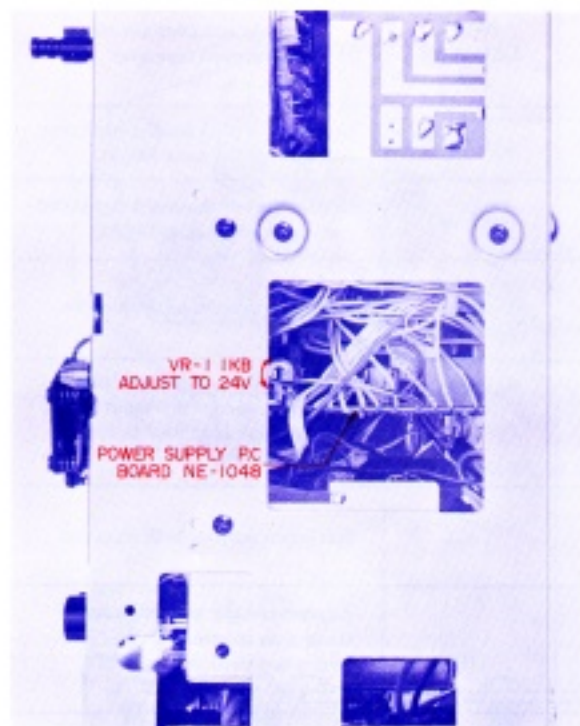


Fig. 13

2. TAPE SPEED ADJUSTMENT (Refer to Fig. 14)



Fig. 14

3. RECORDING AND PLAYBACK AMPLIFIER ADJUSTMENT (Refer to Fig. 15)

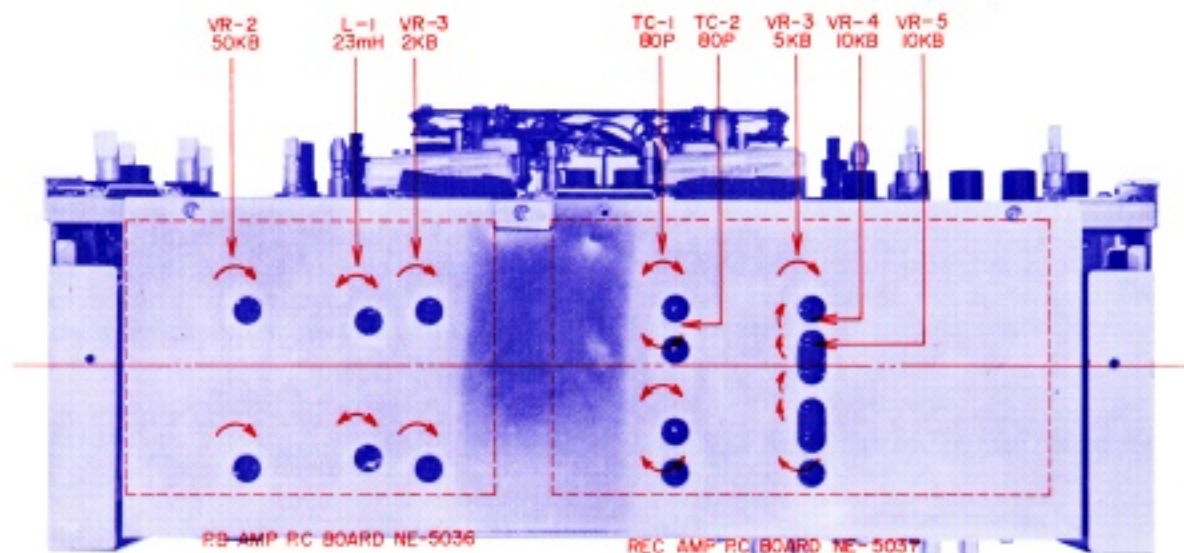


Fig. 15

Step	Adjustment Item	Test Tape Supply Signal	Mode	Adjustment Point	Result	Remarks
1	Playback Level Adjustment	700 Hz 7-1/2 ips 0 VU Test Tape	FWD	VR-2 50 kΩ	0±1.0 dB (0.775V)	Within 0 ±1.5 dB at Reverse mode.
2	VU Meter Sensitivity Adjustment	700 Hz 7-1/2 ips 0 VU Test Tape	FWD	VR-3 2 kΩ	0 VU	
3	Monitor Level Adjustment	1,000 Hz -20 dBm	STOP	VR-3 5 kΩ	0 dBm (0 VU)	Line REC Volume maximum. Monitor Switch "SOURCE".
4	FWD Recording Level Adjustment	Scotch #211 Tape 1,000 Hz 0 VU recording	FWD-REC	VR-5 20 kΩ	0±1.5 dB (0.775V)	Monitor Switch "TAPE".
5	REV Recording Level Adjustment	Scotch #211 Tape 1,000 Hz 0 VU recording	REV-REC	VR-4 20 kΩ	0±1.5 dB (0.775V)	Monitor Switch "TAPE".
6	FWD Frequency Response Adjustment	Scotch #211 Tape 1,000 Hz, 10,000 Hz -20 VU recording	FWD-REC	TC-2 80P	1,000 Hz, 10,000 Hz flat	Tape Speed 3-3/4 ips. Recheck Recording Level.
7	REV Frequency Response Adjustment	Scotch #211 Tape 1,000 Hz, 10,000 Hz -20 VU recording	REV-REC	TC-1 80P	1,000 Hz, 10,000 Hz flat	Tape Speed 3-3/4 ips. Recheck Recording Level.
8	Bias Leak Adjustment		REC	L-1 23 mH	Less than -30 dB	

Chart 2

- NOTES: 1) Set tape speed to 7-1/2 ips except in Steps 6 and 7.
2) Tape Selector at "LOW NOISE".
3) Monitor Switch at "TAPE" except in Step 3.
4) Output Volume at maximum.
5) New test tape should be used.
6) Adjustment of step 8 made from the face side of Playback Amp P.C Board.
7) The letter b following an adjustment part number indicates "Right Channel".

VII. DC RESISTANCE OF VARIOUS COILS

Part	Designation	DC Resistance
Main Motor	SCM2-24KJ	Between BLU-RED: 100 ohm Between YLW-GRN: 180 ohm Pick-up Coil: 635 ohm
Reel Motor	24XO-MR	Between BLU-RED: 74 ohm Between YLW-GRN: 1,660 ohm
Pinch Wheel Solenoid	1660 PHT3	700 ohm
Brake Solenoid	1240 PHT	590 ohm
Reverse Solenoid	1240 PHT-I	370 ohm $\pm 10\%$
Reverse Relay	MY4-O-US-AD4 DC24V	650 ohm
Headphone Output Transformer	N16-535S	Primary: 565 ohm $\pm 15\%$ Secondary: 0.95 ohm $\pm 15\%$
Oscillator Coil	OT-204	Between 1-3: 0.3 ohm Between 4-6: 0.7 ohm Between 7-9: 8.2 ohm
Playback Head	P4-202	268 ohm
Recording/Erase Combination Head	RE4-6	Recording: 5.5 ohm Erase: 1.8 ohm

Chart 3

NOTE: The resistance values shown in this chart are average values.

VIII. CLASSIFICATION OF VARIOUS P. C BOARDS

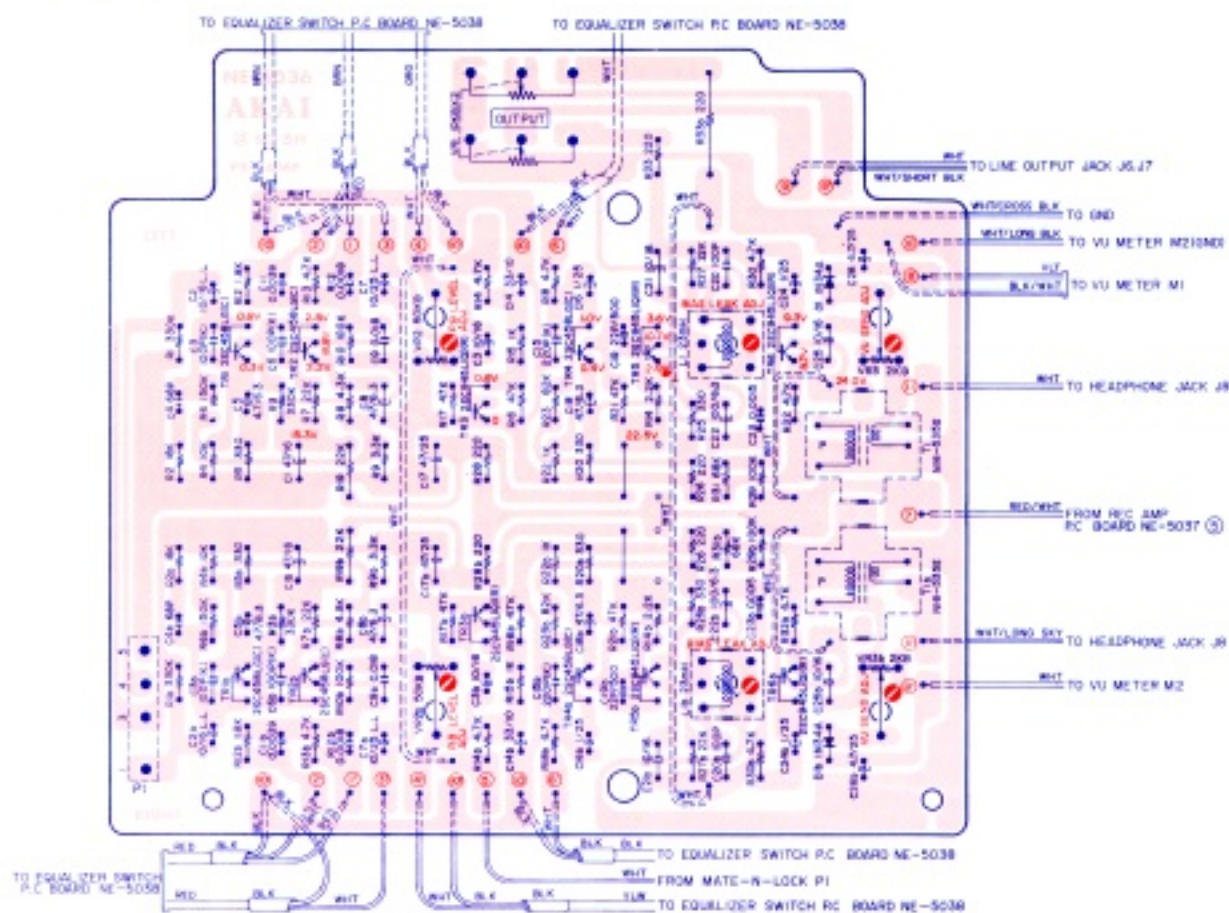
1. RELATION OF P.C BOARD TITLE AND NUMBER

P.C Board Title	P.C Board Number
Resistor P.C Bord	NE-1046
Direction Indicator Lamp P.C Board	NE-1047
Power Supply P.C Board	NE-1048
SA P.C Board	NE-2034
Playback Amp P.C Board	NE-5036
Recording Amp P.C Board	NE-5037
Equalizer Switch P.C Board	NE-5038
Servo-Control P.C Board	MY-2036
Transistor P.C Board	MY-2054

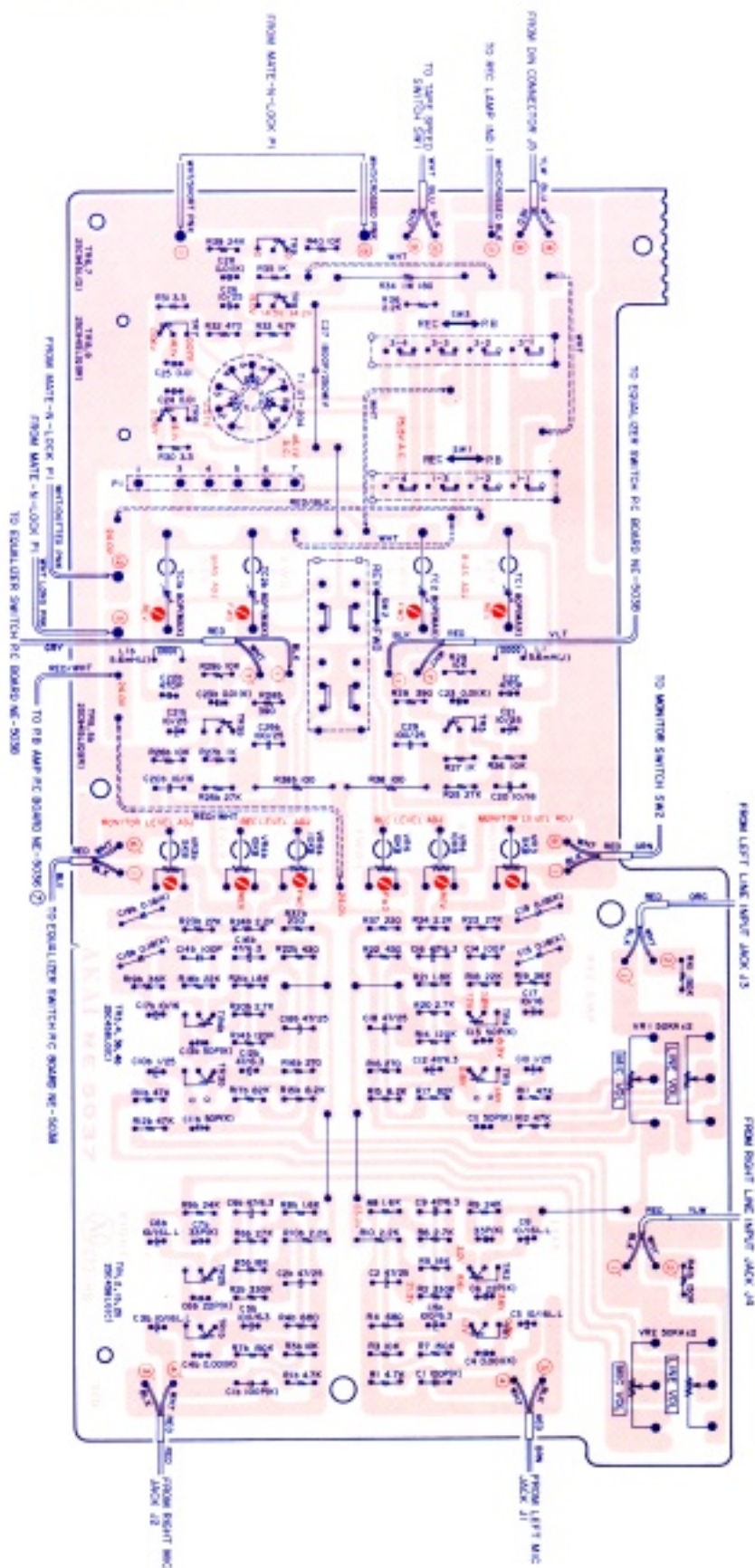
Chart 4

2. COMPOSITION OF VARIOUS P.C BOARDS

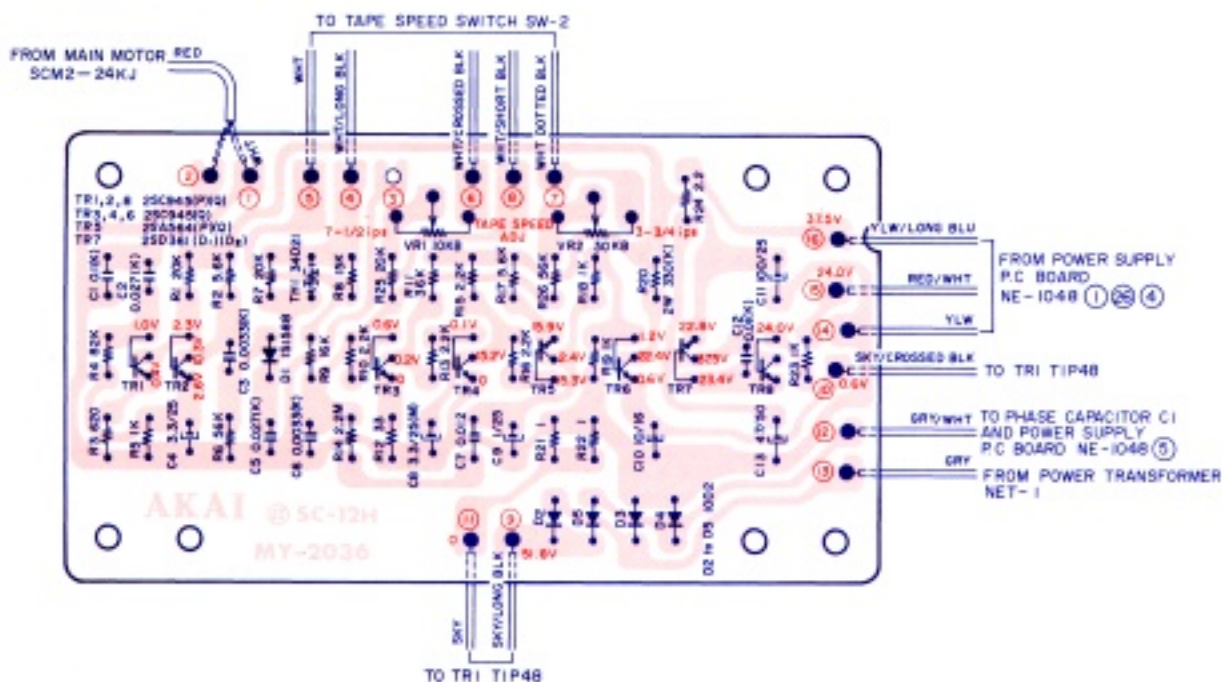
1) P.B AMP P.C BOARD (NE-5036)



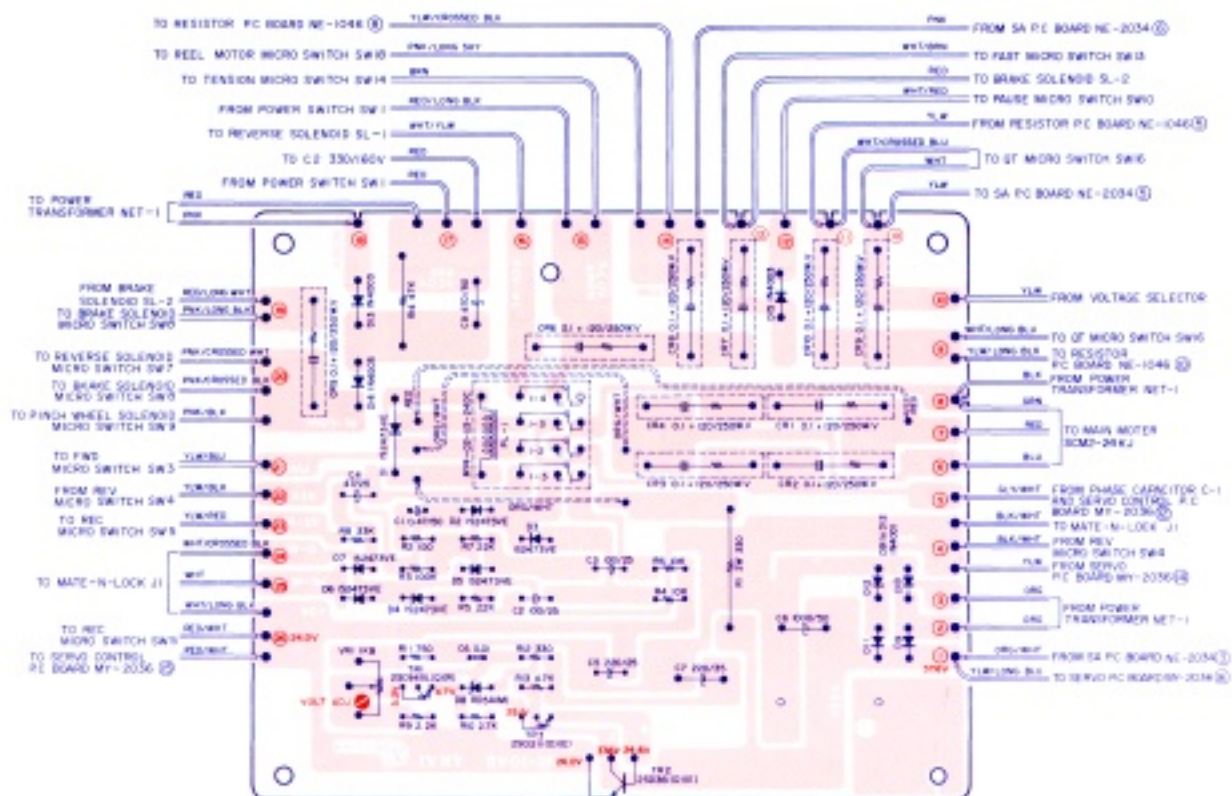
2) REC AMP P.C BOARD (NE-5037)



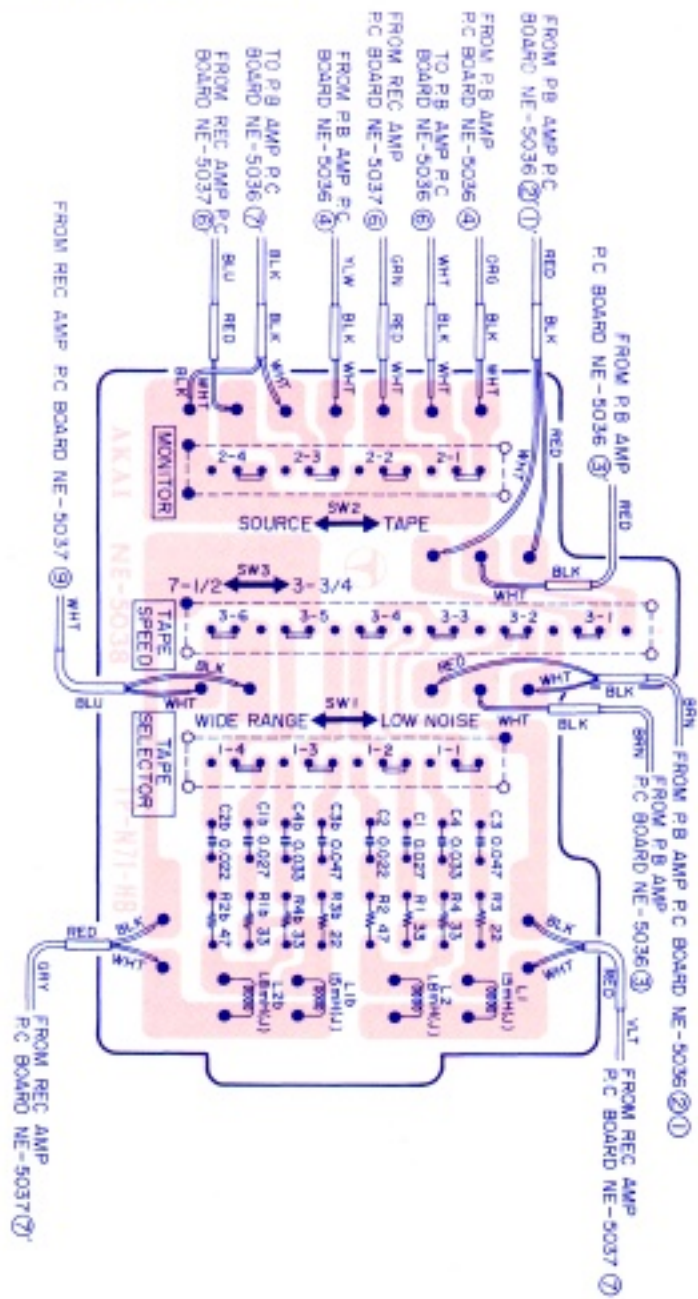
3) SERVO CONTROL P.C BOARD (MY-2036)



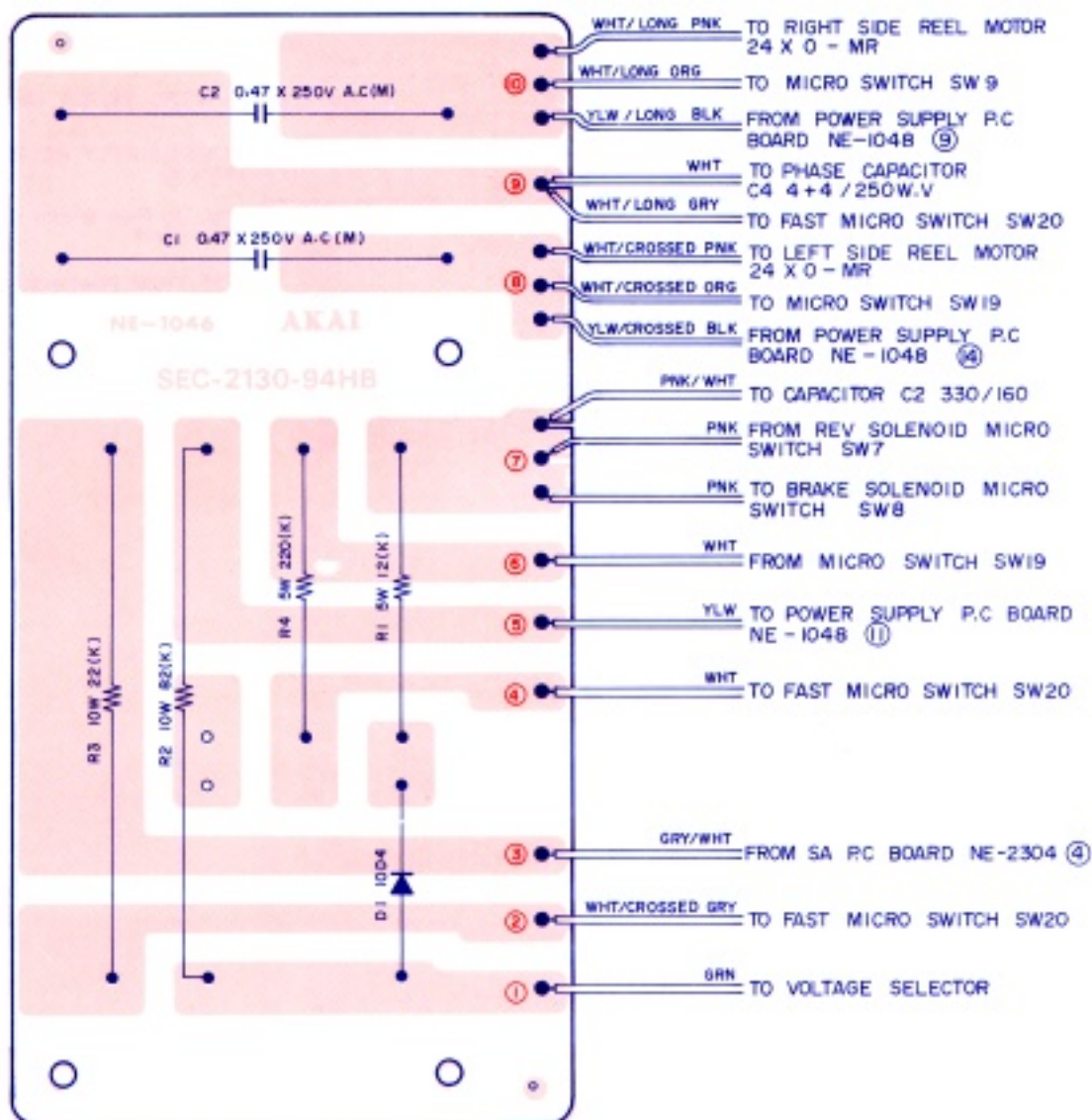
4) POWER SUPPLY P.C BOARD (NE-1048)



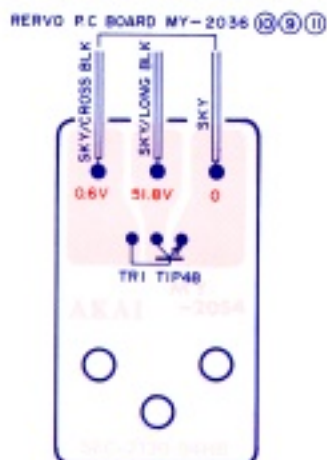
5) EQUALIZER SWITCH P.C BOARD (NE-5038)



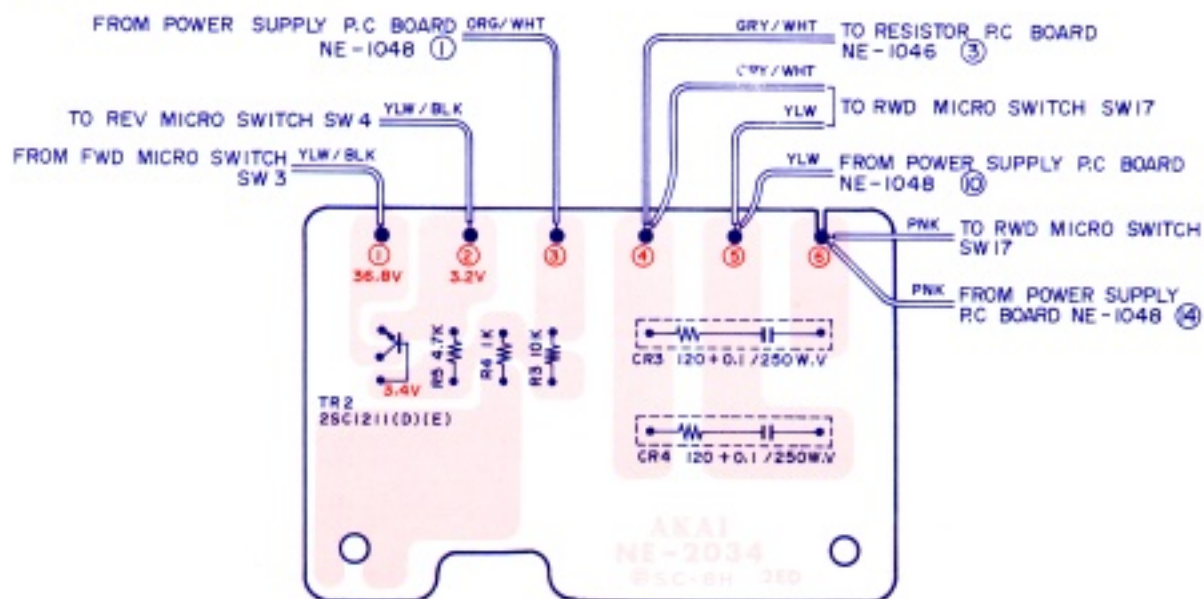
6) RESISTOR P.C BOARD (NE-1046)



7) TRANSISTOR P.C BOARD (MY-2054)



8) SA P.C BOARD (NE-2034)



9) DIRECTION INDICATOR LAMP P.C BOARD (NE-1047)



SECTION 2

PARTS LIST

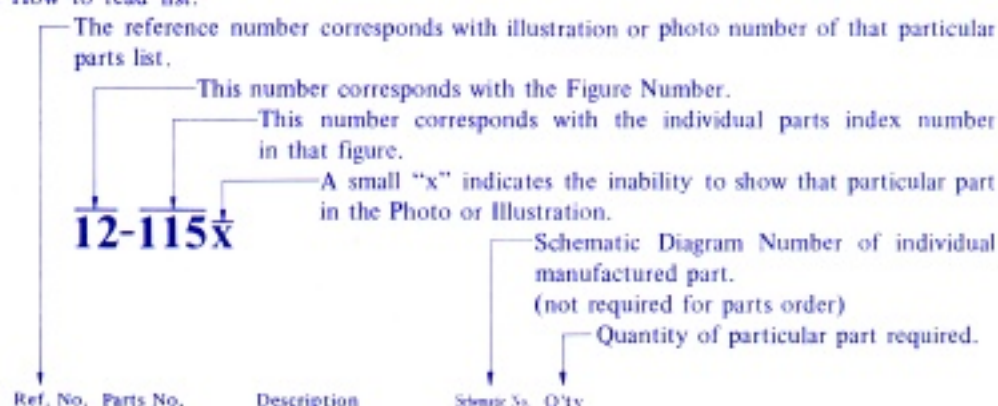
TABLE OF CONTENTS

1. HEAD BLOCK	28
2. MAIN MOTOR BLOCK	30
3. REEL MOTOR/REEL TABLE BLOCK	31
4. OPERATION BLOCK	32
5. TENSION ARM BLOCK	33
6. LEVER SWITCH/PAUSE SWITCH BLOCK	34
7. POWER SUPPLY BLOCK	36
8. MECH. ASSEMBLY BLOCK	37
9. P.C BOARDS	39
(1) P.B AMP P.C BOARD (NE-5036) BLOCK	39
(2) REC AMP P.C BOARD (NE-5037) BLOCK	39
(3) SERVO CONTROL P.C BOARD (MY-2036) BLOCK	40
(4) POWER SUPPLY P.C BOARD (NE-1048) BLOCK	40
(5) EQUALIZER SWITCH P.C BOARD (NE-5038) BLOCK	41
(6) RESISTOR P.C BOARD (NE-1046) BLOCK	41
10. AMP ASSEMBLY BLOCK	42
11. FINAL ASSEMBLY BLOCK	44
12. LIST OF INTERCHANGEABLE SEMICONDUCTORS	45
INDEX	46

Some of the parts in this parts list are only available as a complete assembly, and can not be supplied as individual parts.

HOW TO USE THIS PARTS LIST

1. This parts list is compiled by various individual blocks based on assembly process.
2. When ordering parts, please describe parts number, serial number, and model number in detail.
3. How to read list.



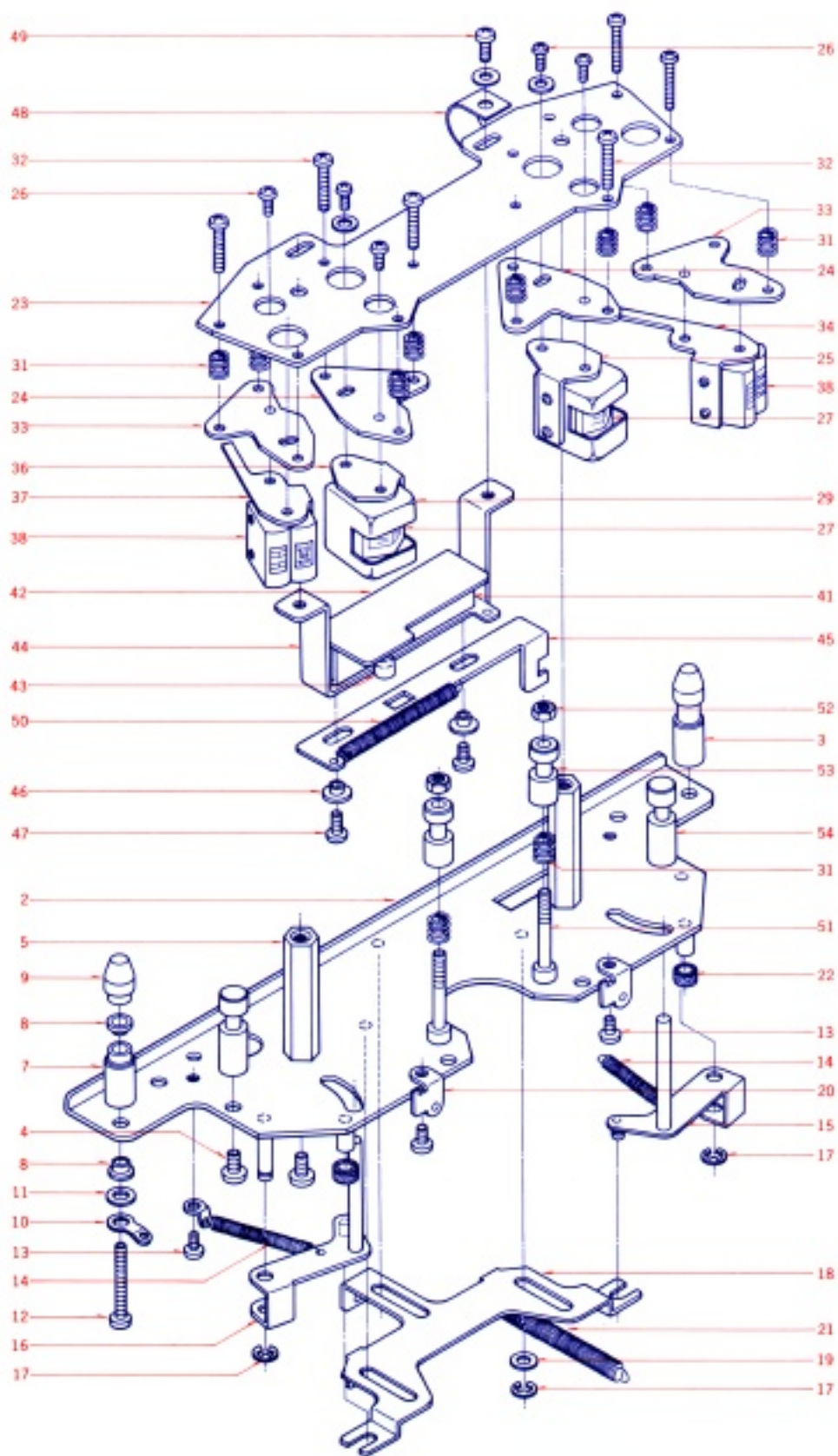
Ref. No.	Parts No.	Description	Schematic No.	Q'ty
FLYWHEEL BLOCK #13				
12-115x	800425	Flywheel Block Assy. Comp.	810-213	1
12-116	244506	Flywheel Only	810-231	1
12-117x	244754	Felt, Flywheel	810-275	1
12-118	251324	Main Metal Case	810-236	1
12-119	253080	Main Metal	810-237	1

4. The symbol numbers shown on the P.C. Board list can be matched with the Composite Views of components of the Schematic Diagram or Service Manual.
5. Please utilize separate "Common List for Service Parts" for Resistor parts orders.
6. The shape of the parts and parts name, etc. can be confirmed by comparing them with the parts shown on the Electrical Parts Table of P.C. Board.
7. Both the kind of part and installation position can be determined by the Parts Number. To determine where a parts number is listed, utilize Parts Index at end of Parts List.
It is necessary first of all to find the Parts Number. This can be accomplished by using the Reference Number listed at right of parts number in the Parts Index. (meaning of ref. no. outlined in Item 3 above).
8. Utilize separate "Price List for Parts" to determine unit price. The most simple method of finding parts Price is to utilize the reference number.

ELECTRICAL PARTS LIST TABLE

<p>Because the indication of resistors and capacitors in the P. C. Board photos are being eliminated, please confirm parts name and shape by comparing them with the parts shown in this table.</p>	<p>1</p>  <p style="text-align: center;">Solid Resistor</p>	<p>2</p> <p style="text-align: right;">Stopper Type</p>  <p style="text-align: center;">Carbon Resistor</p>	<p>3</p>  <p style="text-align: center;">Metal Oxide Film Resistor</p>
<p>4</p>  <p style="text-align: center;">Cement Resistor</p>	<p>5</p>  <p style="text-align: center;">Wire-Wound Resistor</p>	<p>6</p>  <p style="text-align: center;">Thermistor</p>	<p>7</p>  <p style="text-align: center;">Enamel Resistor</p>
<p>1</p>  <p style="text-align: center;">MP Capacitor (Tubular Type)</p>	<p>2</p>  <p style="text-align: center;">Plastic Capacitor</p>	<p>3</p>  <p style="text-align: center;">Mylar Capacitor</p>	<p>4</p>  <p style="text-align: center;">VFM (BI-Q) Capacitor</p>
<p>5</p>  <p style="text-align: center;">Mylar Capacitor</p>	<p>6</p>  <p style="text-align: center;">Tantalum Capacitor</p>	<p>7</p>  <p style="text-align: center;">Oil Capacitor (Tubular Type)</p>	<p>8</p> <p style="text-align: right;">Vertical Type</p> <p>(Tubular Type)</p>  <p style="text-align: center;">Styrol Capacitor</p>
<p>9</p>  <p style="text-align: center;">Electrolytic Capacitor (Tubular Type)</p>	<p>10</p> <p style="text-align: right;">Vertical Type</p> <p>(Tubular Type)</p>  <p style="text-align: center;">Electrolytic Capacitor</p>	<p>11</p>  <p style="text-align: center;">Ceramic Capacitor</p>	<p>12</p>  <p style="text-align: center;">Metalized Mylar (Paper) Capacitor</p>
<p>13</p>  <p style="text-align: center;">Trimmer Condenser</p>		<p>VR</p>  <p style="text-align: center;">Semi-Fixed Volume</p>	
<p>L</p>  <p style="text-align: center;">Ferrit Inductor</p>	<p>TR</p>  <p style="text-align: center;">Transistor</p>		
<p>CR</p>  <p style="text-align: center;">Spark Quencher</p>	<p>D</p>  <p style="text-align: center;">Diode (Silicon, Zener, Germanium)</p>		

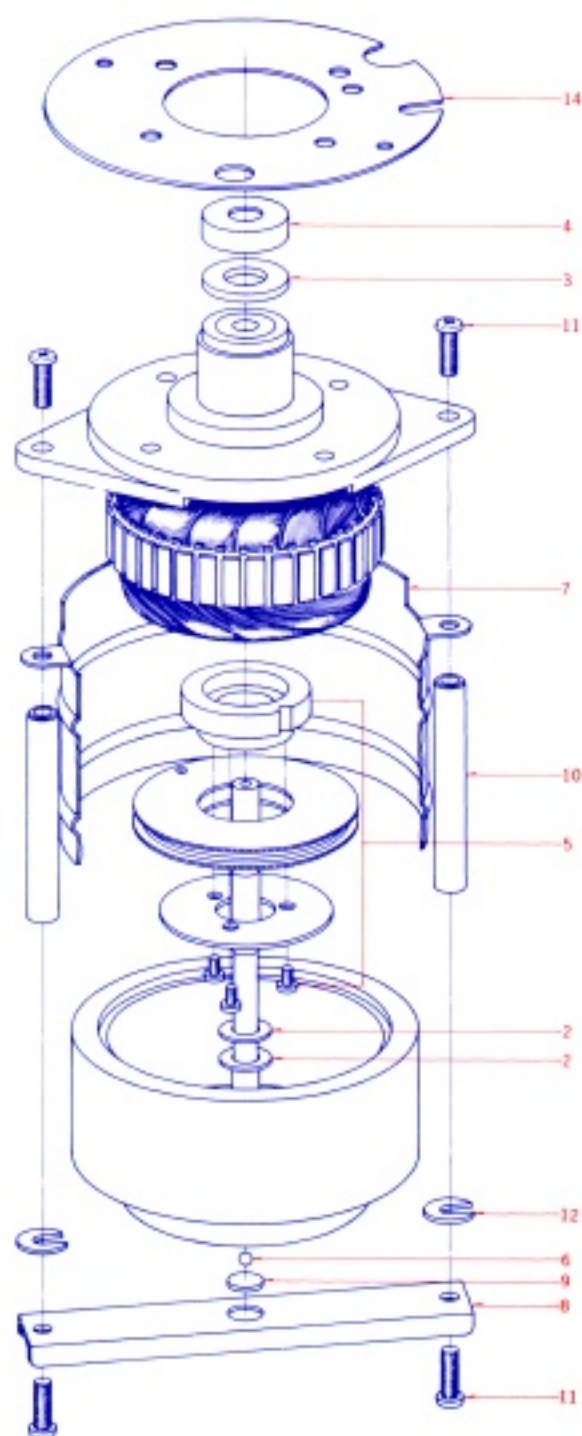
1 ILLUSTRATION OF HEAD BLOCK



1) HEAD BLOCK

Ref. No.	Parts No.	Description	Schematic No.	Q'ty
1-1x	BH636726	Head Block Comp.	NE	1
1-2	HZ643342	Head Sub Chassis, w/prop	NE-000	1
1-3	MS643048	Tape Guide	NE-002	1
1-4	ZS413201	Screw, Pan Head 4x8		1
1-5	MH529233	Head Base Prop B	ND-007	2
1-6	ZS416687	Screw, Binding Head 4x8		2
1-7	MS643050	Sensing Guide A	NE-002	1
1-8	HZ527455	Sensing Spacer	ND-001	2
1-9	MS643061	Sensing Guide B	NE-004	1
1-10	ZW562476	Earth Lug M3		2
1-11	ZW425002	Washer (SPC) D3.1x8x0.5t		1
1-12	ZS413785	Screw, Binding Head 3x12		1
1-13	ZS323728	Screw, Binding Head 3x5		4
1-14	ZG232121	Tension Lever Spring	HH-10	2
1-15	ML665460	Shifter Lever A, w/pin	NE-009	1
1-16	ML665471	Shifter Lever B, w/pin	NE-009	1
1-17	ZW270101	'E' Ring 3mm	6-14	3
1-18	HL527444	Shifter Lever C	ND-002	1
1-19	ZW396437	Washer (Polyslider) D5.1x10.3x0.25t		3
1-20	HL528074	Shifter Spring Hook	ND-008	2
1-21	ZG527477	Shifter Spring	ND-008	2
1-22	MZ810191	Cushion Rubber, RD	RD-29	2
1-23	HZ527466	Head Chassis	ND-002	1
1-24	HZ527501	PB Head Base	ND-002	2
1-25	HA529470	PB Head Angle A	ND-004	1
1-26	ZS396000	Screw, Binding Head 3x4		3
1-27	HP536501	PB Head P4-202		2
1-28x	EA463206	Terminal P.C. Board A	RD-A36	2
1-29	HZ527512	Head Shield	ND-002	2
1-30x	ZS460440	Screw, Pan Head 2x4		4
1-31	ZG466312	Angle Adjust Spring E	BS-008	14
1-32	ZS562432	Screw, Binding Head 3x13		12
1-33	HZ527490	Erase Head Base	ND-002	2
1-34	HA527940	REC/E. Head Angle A	ND-005	1
1-35x	ZS461395	Screw, Round Head 2x3		2
1-36	HA529481	PB Head angle B	ND-004	1
1-37	HA527951	REC/E. Head Angle B	ND-005	1
1-38	HR556582	REC/ERASE HEAD RE4-6		2
1-39x	ZS461395	Screw, Round Head 2x3		2
1-40x	HZ583176	RE4-6 Terminal Plate	TW-025	2
1-41	ES520672	Slide Switch SL-282B4	25-3-8	1
1-42	EA527523	Head Change P.C Board	ND-025	1
1-43	EO346500	Ferri Inductor FL7H 220 μH(J)	D-1-3	1
1-44	HZ529288	Reverse Switch Base	ND-002	1
1-45	HL527433	Reverse Lever	ND-004	1
1-46	ZW527422	Graduated Washer	ND-005	2
1-47	ZS487866	Screw, Round Head 2.6x6		1
1-48	HZ531584	Earth Plate	ND-060	1
1-49	ZS304806	Screw, Binding Head 3x5		2
1-50	ZG227452	Spring D	90-118	1
1-51	MH578957	Tape Guide Prop	TD-002	2
1-52	ZW273756	Nut M3		4
1-53	HZ532710	Tape Guide B	TW-006	2
1-54	HZ528581	Tape Guide A	ND-006	2
1-55x	ZS413201	Screw, Pan Head 4x8		2
1-56x	EJ623891	Terminal, V Connector SVF-01T-1.5A	II-1-136	10
1-57x	EJ624420	Housing, V Connector 6P-SVF	II-1-130	1
1-58x	EJ623880	Housing, V Connector 4P-SVF	II-1-135	1

2 ILLUSTRATION OF MAIN MOTOR BLOCK



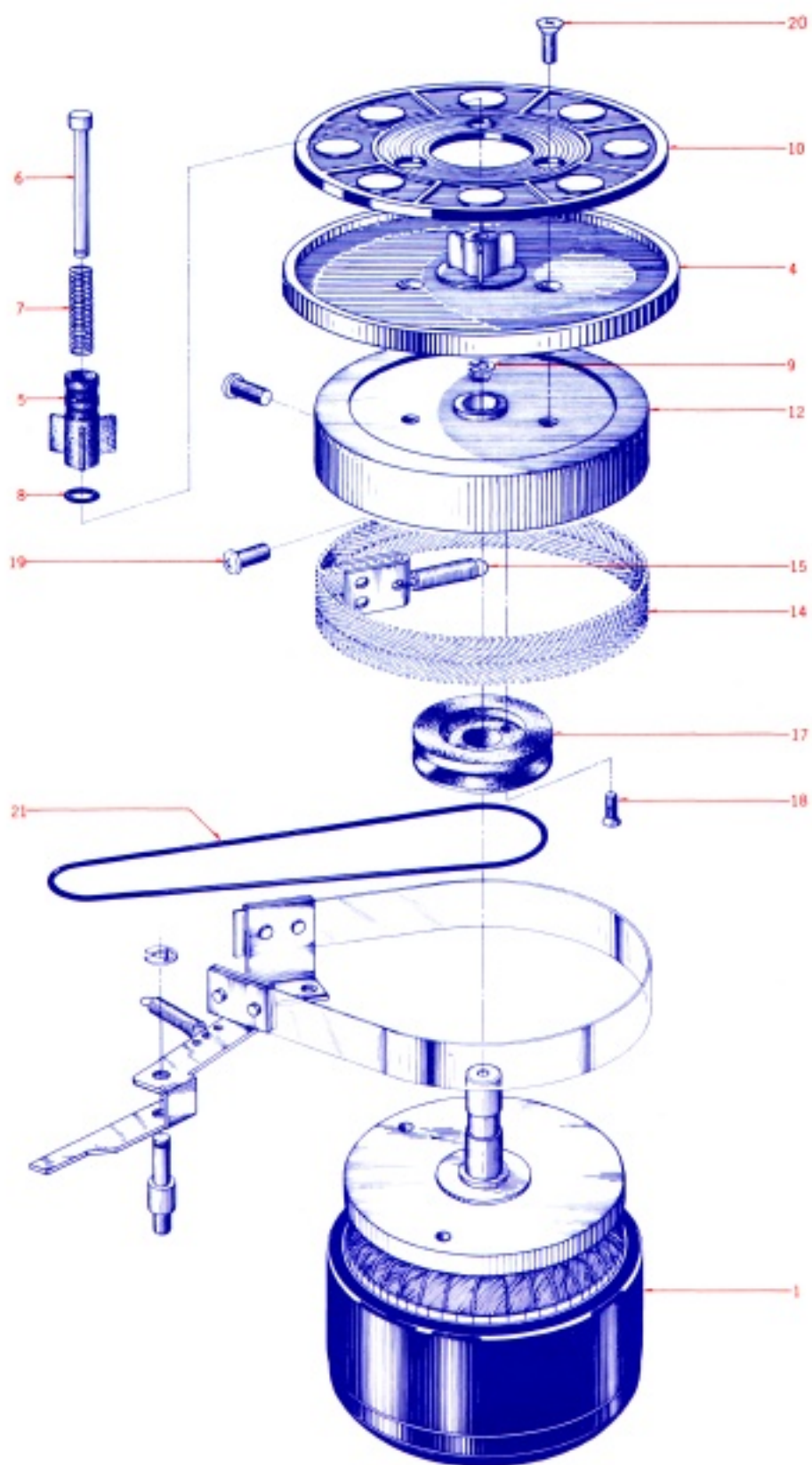
2) MAIN MOTOR BLOCK

Ref. No.	Parts No.	Description	Schematic No.	Q'ty
2-1x	BM636704	Main Motor Block Comp.	KJ.MY.NE	1
2-2	ZW597543	Thrust Washer A	KJ-708	2
2-3	ZW597622	Felt Washer	KJ-702	1
2-4	SK597633	Cap	KJ-703	1
2-5	BZ600300	Detector Gear Block Comp.	KJ.MY.NE	1
2-6	MV368886	Steel Ball D3		1
2-7	MZ597666	Motor Shield Plate	KJ-706	1
2-8	MZ597644	Thrust Angle	KJ-704	1
2-9	MZ597690	Ball Holder (Nylon)	KJ-705	1
2-10	MS597655	Thrust Holding Prop	KJ-705	2
2-11	ZS413234	Screw, Pan Head 4x12		4
2-12	ZW603786	Adjust. Washer (U)		2
		D4x1.3x0.21		2
2-13x	ZW603775	Adjust. Washer (U)		2
		D4x1.3x1.61		2
2-14	MZ625577	motor Shield Plate	MY-107	1

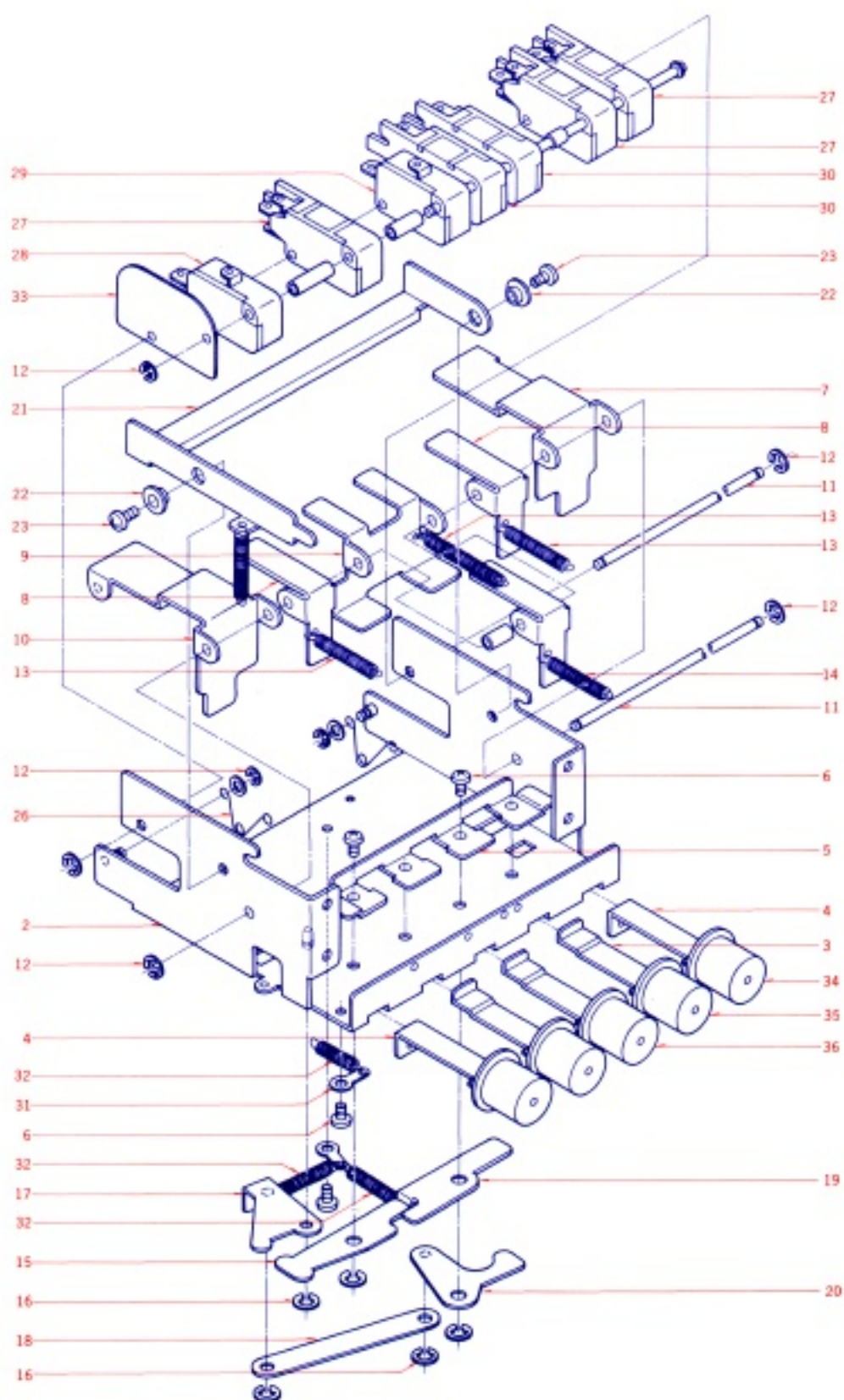
3) REEL MOTOR/REEL TABLE BLOCK

Ref. No.	Parts No.	Description	Schematic No.	Q'ty
3-1	BM314741	Torque Motor (24XO-2) Block Comp.	MR.MS.KD	1
3-2x	BR482400	Supply Reel Table Block Comp.	KH.ND.NE	1
3-3x	BR482411	Take-Up Reel Table Block Comp.	KH.ND.NE	1
3-4	MT488147	Reel Table Disk B, RD	RD-272	1
3-5	MT255420	Reel Retainer	3R-102	1
3-6	MS342000	Reel Shaft	3R-108	1
3-7	ZG255633	Reel Spring	3R-109	1
3-8	MT297663	'O' Ring (3R) 2.9x1.65mm	3R-138	1
3-9	ZW270088	'E' Ring 1.9mm	E-1-9	1
3-10	MT473422	Reel Table Rubber, KH	KH-200	1
3-11x	MT473444	Brake Drum (Left) (Supply)	KH-201	1
3-12	MT473433	Brake Drum (Right) (Take-Up)	KH-201	1
3-13x	ZW273778	Earth Lug M3		1
3-14	MT436860	Brake Cloth Comp.	MR-288	1
3-15	ZG317496	Felt Tension Spring	MR-288	1
3-16x	ZS425981	Screw, Binding Head 3x3		1
3-17	MR317507	Counter Pulley (Take-Up)	MR-217	1
3-18	ZS365973	Screw, Countersunk Head 2.3x12		2
3-19	ZS424056	Screw, Pan Head 4x10		2
3-20	ZS403212	Screw, Countersunk Head 3x10		3
3-21	MB527556	Counter Belt D=93x1.5	SD-302	1

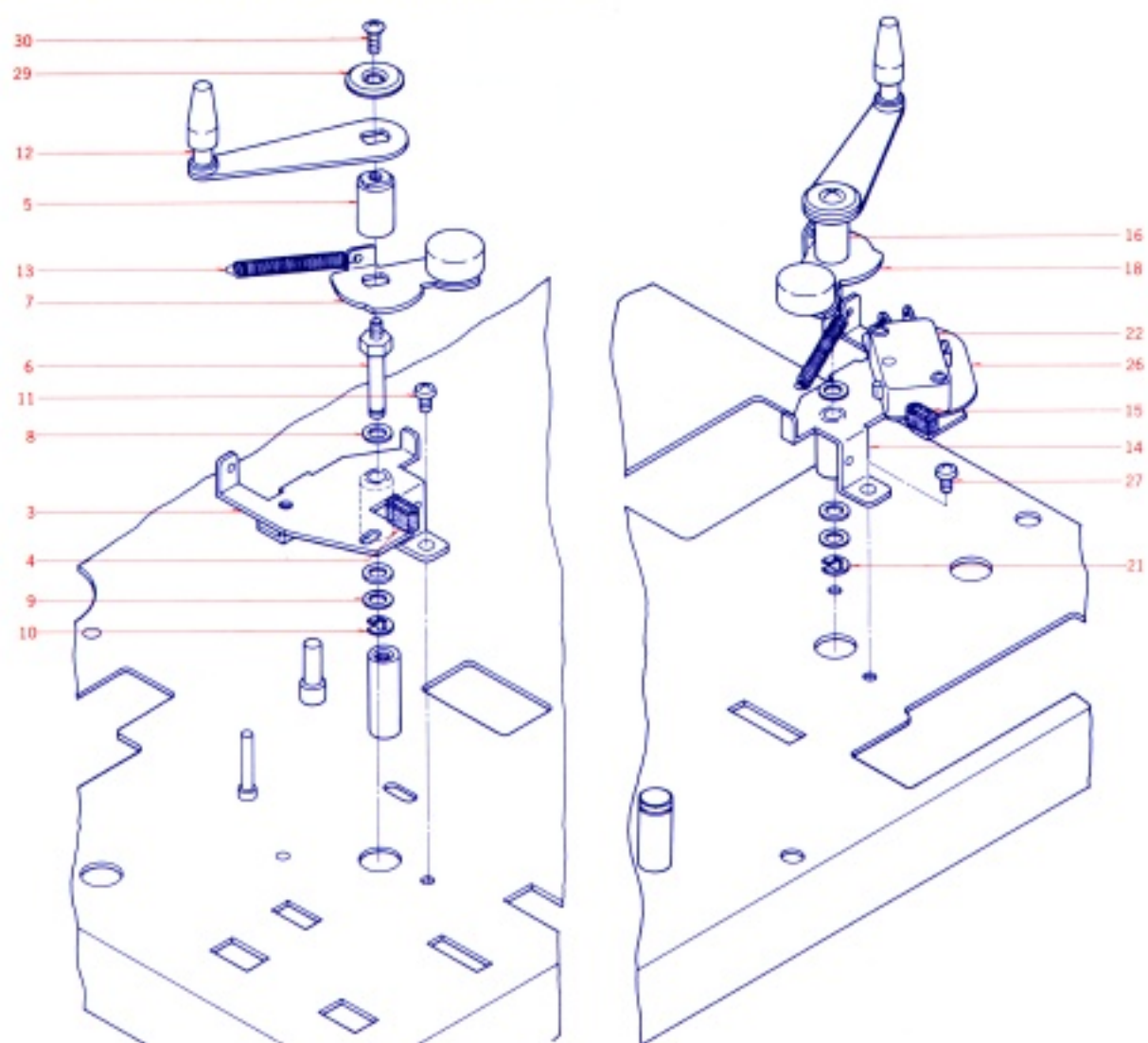
3 ILLUSTRATION OF REEL MOTOR/REEL TABLE BLOCK



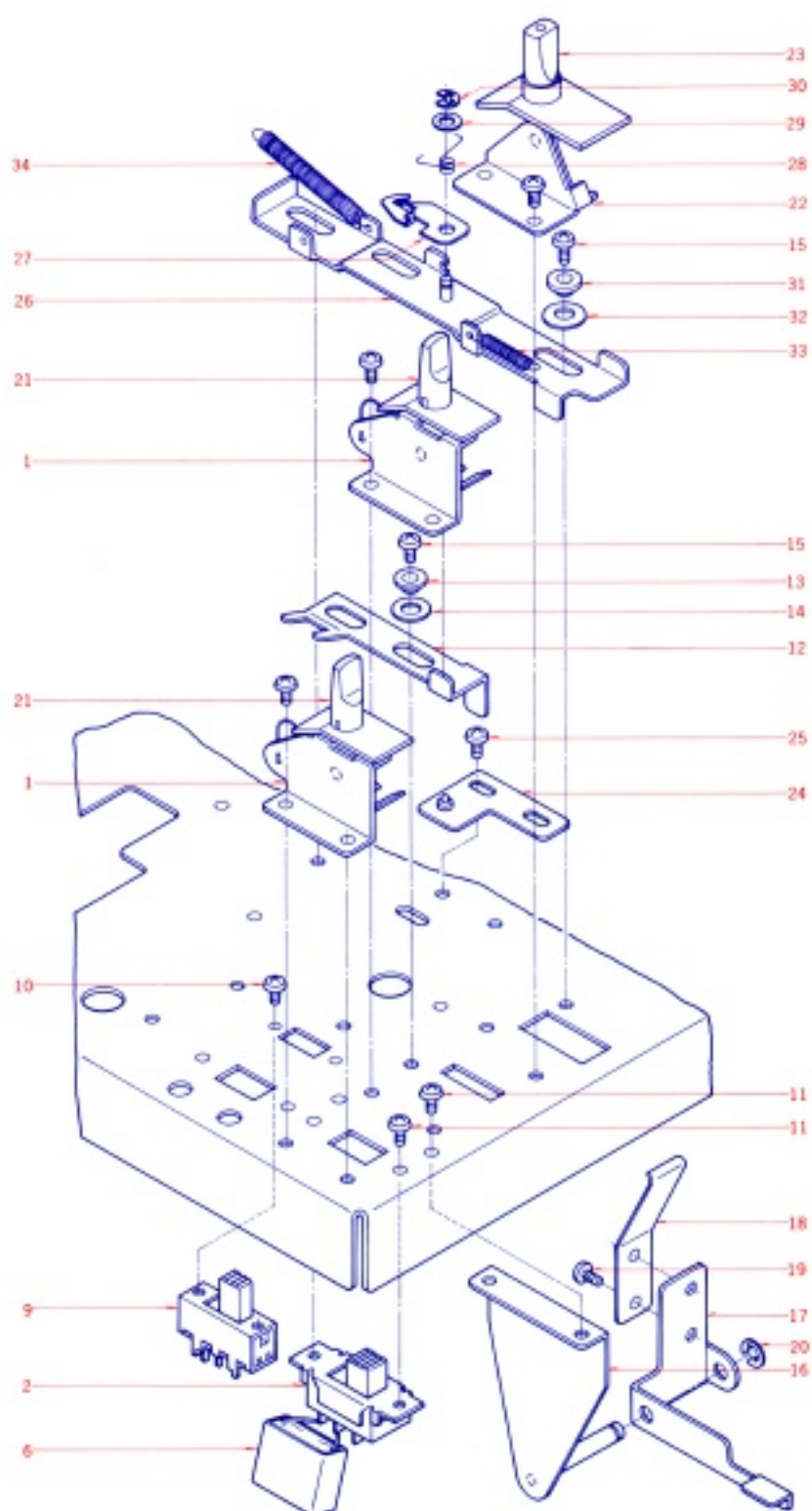
4 ILLUSTRATION OF OPERATION BLOCK



5 ILLUSTRATION OF TENSION ARM BLOCK



6 ILLUSTRATION OF LEVER SWITCH/PAUSE SWITCH BLOCK



4) OPERATION BLOCK

Ref. No.	Parts No.	Description	Schematic No.	Q'ty
4-1x	BZ636715	Operation Block Comp.	NE	1
4-2	MZ643972	Operation Box	NE-2001	1
4-3	MZ640135	Slide Plate A	NE-2002	3
4-4	MZ640146	Slide Plate B	NE-2002	2
4-5	MZ640247	Slide Limiter	NE-2012	1
4-6	ZS417216	Screw, Pan Head 3x4		8
4-7	MZ640168	Switch Plate B	NE-2005	1
4-8	MZ640157	Switch Plate A	NE-2004	1
4-9	MZ640181	Switch Plate D	NE-2006	1
4-10	MZ640170	Switch Plate C	NE-2005	1
4-11	MS640192	Operation Shaft	NE-2007	3
4-12	ZW270088	'E' Ring 1.9mm		6
4-13	ZG644152	Return Spring A	NE-2020	3
4-14	ZG644185	Return Spring B	NE-2022	1
4-15	MZ640203	Operation Cam B	NE-2008	1
4-16	ZW280283	'U' Ring 2.85mm	6-1-1	6
4-17	MZ640236	Operation Cam E, w/pin	NE-2011	1
4-18	MZ640258	Cam Joint	NE-2013	1
4-19	MZ640214	Operation Cam C	NE-2009	1
4-20	MZ640225	Operation Cam D	NE-2010	1
4-21	MZ640260	Reset Arm	NE-2004	1
4-22	ZW625241	Graduated Washer	MY-2023	2
4-23	ZS379350	Iso Screw, Pan Head 3x6		2
4-24x	ZS422076	Screw, Pan Head 3x5		1
4-25x	ZS608275	Screw, Pan Head 3x5, w/washer		1
4-26	ZG640304	Reset Spring	NE-2018	2
4-27	ES562465	Micro Switch K-1	25-1-26	3
4-28	ES250064	Micro Switch V-1A44 U/L	25-1-7	1
4-29	ES403727	Micro Switch V-1A106 U/L	25-1-20	1
4-30	ES573456	Micro Switch K-2	25-1-20	2
4-31	ZW562476	Earth Lug M3		3
4-32	ZG644163	OP Spring	NE-2025	5
4-33	MZ402377	Micro Insulator D	KD-2050	1
4-34	SB631146	Push Button D (Yellow)	CP-2024	2
4-35	SB631157	Push Button E (Green)	CP-2024	2
4-36	SB631168	Push Button F (White)	CP-2024	1

5) TENSION ARM BLOCK

Ref. No.	Parts No.	Description	Schematic No.	Q'ty
5-1x	BZ636761	Tension Arm (Left) Block Comp.	NE	1
5-2x	BZ636750	Tension Arm (Right) Block Comp.	NE	1
5-3	MZ638943	Tension Arm Base (Left), w/metal	NE-2025	1
5-4	MB428343	Stopper Rubber, KD	KD-1000	1
5-5	MS625825	Tension Shaft A	MY-2024	1
5-6	MS615014	Tension Shaft B	MY-2022	1
5-7	MZ627265	Tension Switch Cam, w/weight	MY-2025	1
5-8	ZW419646	Washer (SPC) D4.5x9.8x0.5t		1
5-9	ZW601075	Washer D4.1x7x0.1t		1
5-10	ZW270101	'E' Ring 3mm	6-1-9	1
5-11	ZS422076	Screw, Pan Head 3x5		2
5-12	MZ644196	Tension Arm, w/post	NE-2023	1
5-13	ZG580746	Tension Spring	TD-2024	1
5-14	MZ644062	Tension Arm Base (Right), w/metal	NE-2025	1
5-15	MZ810191	Cushion Rubber, RD	RD-278	1

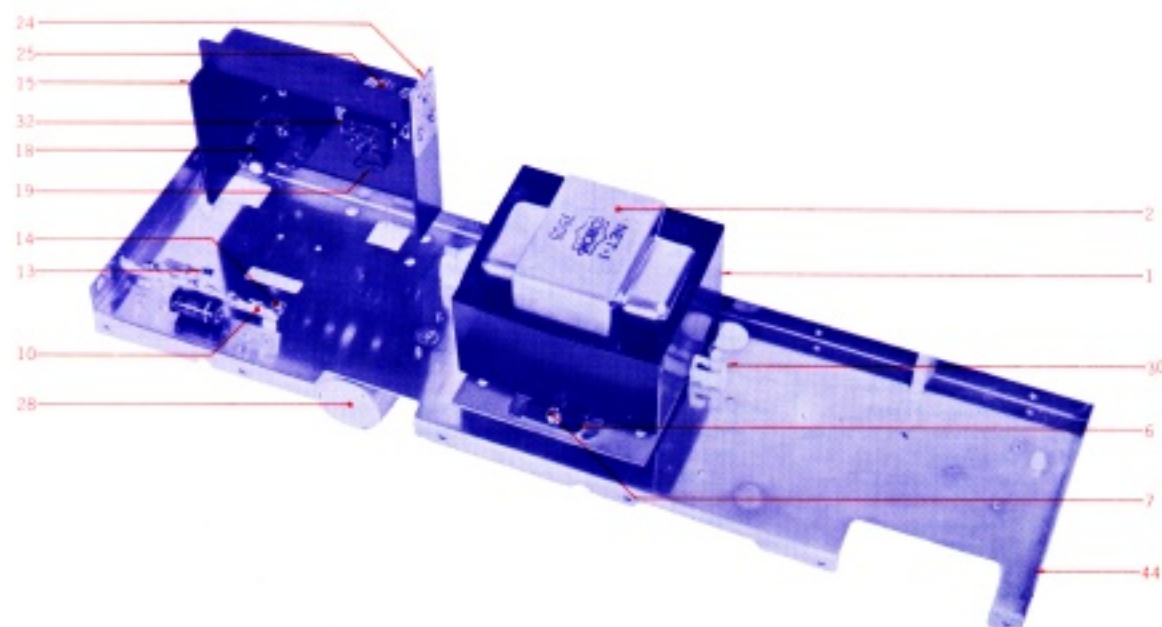
Ref. No.	Parts No.	Description	Schematic No.	Q'ty
5-16	MS625825	Tension Shaft A	MY-2024	1
5-17x	MS615014	Tension Shaft B	MY-2022	1
5-18	MZ627265	Tension Switch Cam, w/weight	MY-2025	1
5-19x	ZW419646	Washer (SPC) D4.5x9.8x0.5t		1
5-20x	ZW601075	Washer D4.1x7x0.1t		1
5-21	ZW270101	'E' Ring 3mm		1
5-22	ES250064	Micro Switch V-1A44 U/L	25-1-7	1
5-23x	ZW397146	Micro Switch Nut	KD-1027	1
5-24x	ZS608253	Screw, Pan Head 3x20		1
5-25x	ZS422965	Screw, Pan Head 3x15		1
5-26	MZ402377	Micro Insulator D	KD-2050	1
5-27	ZS422076	Screw, Pan Head 3x5		2
5-28x	ZG580746	Tension Spring	TD-2024	1
5-29	ZW535094	Decorative Washer	TE-2027	2
5-30	ZS200395	Screw, Countersunk Head 3x6		2

6) LEVER SWITCH/PAUSE SWITCH BLOCK

Ref. No.	Parts No.	Description	Schematic No.	Q'ty
LEVER SWITCH BLOCK				
6-1	BS636794	Lever Switch Block Comp.	NE	2
6-2	ES479485	Slide Switch S-1	25-3-6	1
6-3x	ES641068	Slide Switch JE06 (JPN)	25-3-13	1
6-4x	ES642677	Slide Switch JE08 (CEE)	25-3-18	1
6-5x	ES641092	Slide Switch JE07 (CSA)	25-3-15	1
6-6	EC551160	Ceramic/C. NB821 YZ 0.01μF 1.4KWV	26-5-2	1
6-7x	EC565896	Ceramic/C. DP6600 YM 0.01μF 1.4KWV(CSA)	26-5-2	1
6-8x	MZ643072	Switch Joint (CEE)	NE-1002	1
6-9	ES481656	Slide Switch SSD02239	25-3-7	1
6-10	ZS479474	Screw, Pan Head 2.6x5		2
6-11	ZS422076	Screw, Pan Head 3x5		4
6-12	MZ643083	Speed Switch Slide	NE-1003	1
6-13	ZW625241	Graduated Washer	MY-2023	1
6-14	ZW374545	Washer, (PBP) D5.1x10.3x0.4t		2
6-15	ZS379350	Iso Screw, Pan Head 3x5		4
6-16	MZ643094	Speed Switch Stand, w/prop	NE-1004	1
6-17	ML643105	Speed Switch Lever A	NE-1005	1
6-18	ML643116	Speed Switch Lever B	NE-1006	1
6-19	ZS417216	Screw, Pan Head 3x4		2
6-20	ZW290283	'U' Ring 2.85mm	6-1-1	1
6-21	SK638976	Knob 1-C	CP-2011	2
PAUSE SWITCH BLOCK				
6-22	BS636805	Pause Switch Block Comp.	NE	1
6-23	SK644117	Pause Knob	NE-2020	1
6-24	MZ643151	Pause Lock Table, w/pin	NE-1011	1
6-25	ZS323728	Screw, Binding Head 3x5		2
6-26	MZ643138	Pause Slide, w/shaft	NE-1008	1
6-27	TC515575	Switch Lock Cam B	CG-2301	1
6-28	ZG514440	Button Lock Spring B	CG-2302	1
6-29	ZW424495	Washer, (SPC) D3.1x8x1t		1
6-30	ZW270088	'E' Ring 1.9mm	6-1-9	1
6-31	ZW625241	Graduated Washer	MY-1013	2
6-32	ZW374545	Washer, (PBP) D5.1x10.3x0.4t		2
6-33	ZG567696	Azimuth Spring 2	CP-1040	1
6-34	ZG232121	Tension Lever Spring	MH-10	1

When ordering parts, please describe Parts Number, Serial Number, and Model Number in detail.

7 PHOTO OF POWER SUPPLY BLOCK

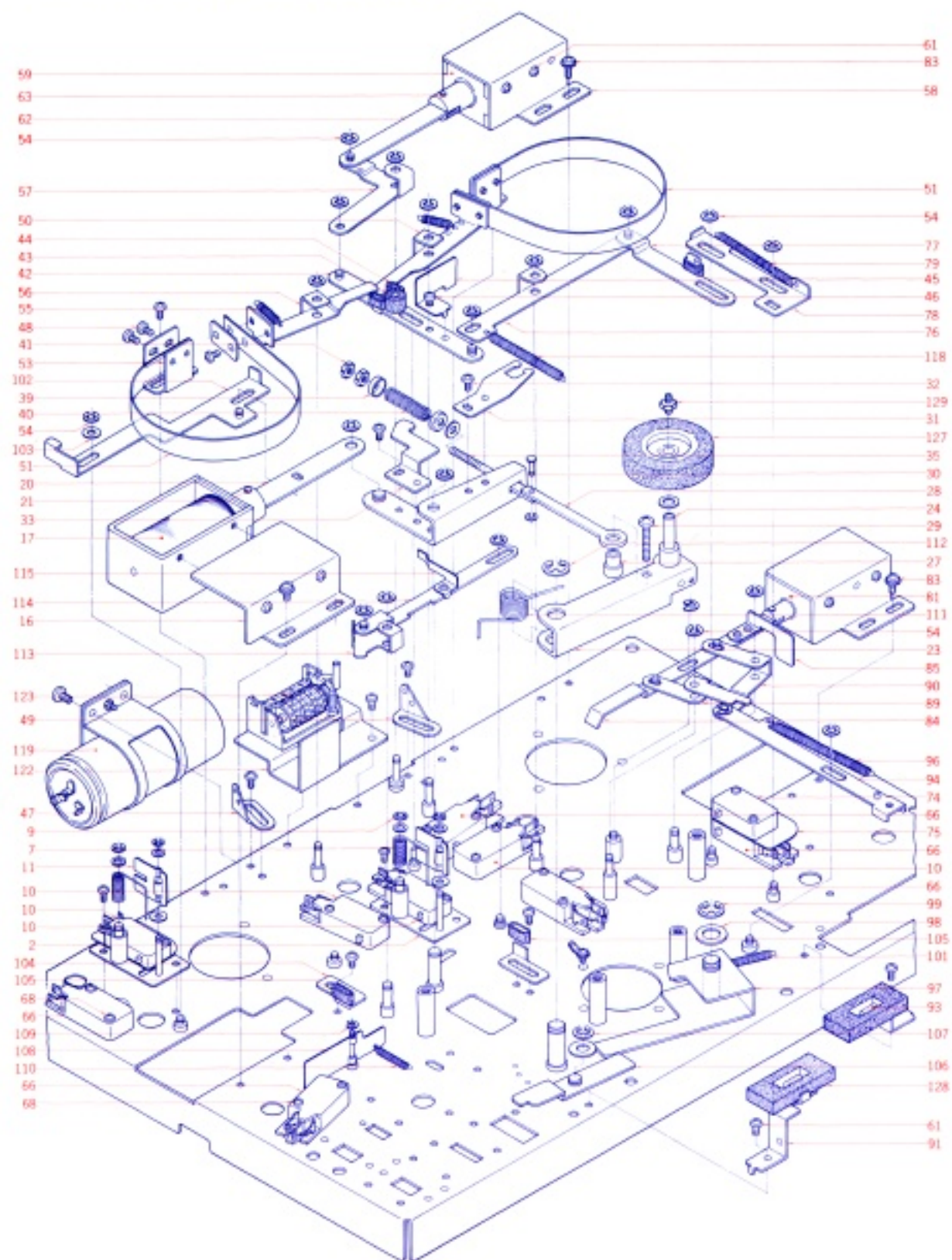


7) POWER SUPPLY BLOCK

Ref. No.	Parts No.	Description	Schematic No.	Q'ty	Ref. No.	Parts No.	Description	Schematic No.	Q'ty
7-1	MZ627636	Trans. Shield Plate	MY-283	1	7-31x	EJ639134	9P Socket Housing 103-3-9R	II-1-148	1
7-2	BT638864	Power Trans. NET-1	38-4-36	1	7-32	ES479485	Slide Switch S-1	35-3-96	1
7-3x	BT642666	Power Trans. NET-4 (CEE)	38-4-38	1	7-33x	ZS383951	Screw, Truss Head 3x5		2
7-4x	BT642655	Power Trans. NET-3 (CSA)	38-4-37	1	7-34x	SM647245	Cycle Name Plate	MY-288	1
7-5x	BT642644	Power Trans. NET-2 (JPN)	38-4-36	1	7-35x	EZ461125	Trans. Shield Plate C	MC-507	1
7-6	EZ486617	Trans. Reinforcement Plate B	LF-522	2	7-36x	EZ549314	Trans. Shield Cushion	MU-503	4
7-7	ZS424056	Screw, Pan Head 4x10		1	7-37x	EZ655198	Fuse Holder 5P Base (CSA)	40-1-71	1
7-8x	ZW416698	Nut M4		2	7-38x	EZ658721	Fuse Holder 5P (JPN)	40-1-73	1
7-9x	ZS413201	Screw, Pan Head 4x8 (CEE) (CSA)		4	7-39x	EJ642712	Fuse Holder NE (CEE)	40-1-65	1
7-10	EJ343934	Lug Plate KPL5L	3-3-12	1	7-40x	EF593706	Fuse 500mAT (CEE)	35-1-53	4
7-11x	EC646031	Elect./C. (Tub. Type) 4.7 μ F 160WV 35-13-17		1	7-41x	EF623103	Fuse, (SEMKO Type) 1AT (CEE)	35-1-53	1
7-12x	ER411873	Metal Oxide Film/R, 1W 100 Ω (K) 35-15-10		1	7-42x	EF277402	Fuse, ST-2 1A (CSA)	35-1-56	4
7-13	ED570295	Silicon Diode 1N4003	4-2-41	1	7-43x	EF588420	Fuse, 1A 125V (JPN)	35-1-52	5
7-14	ZS325495	Tapping Screw #2 3x6 BR		2	7-44	MZ640348	Center Frame	NE-106	1
7-15	MZ626861	VS Table A	MY-288	1					
7-16x	MZ625858	VS Table B (CEE)(CSA)	MY-288	1					
7-17x	MZ647133	VS Base C (JPN)	MY-288	1					
7-18	EJ233370	Socket (Volt. Selector) S-18010	40-2-3	1					
7-19	EJ631945	Strain Relief SR-4N-4	1-7-48	1					
7-20x	EJ246936	Strain Relief SR-6W-1 (WG,3 Core)(CEE)	1-7-4	1					
7-21x	EW540123	AC Cord (CUL) 2.5M	26-3-28	1					
7-22x	EW516600	AC Cord VM-0065 (CEE)	26-3-28	1					
7-23x	EW524845	AC Cord 2.5M (JPN)	26-3-21	1					
7-24	EA628075	Transistor P.C. Board	MY-284	1					
7-25	ET621786	Transistor TIP-48	40-1-107	1					
7-26x	ZS422076	Screw, Pan Head 3x5		2					
7-27x	ZS379350	Iso Screw, Pan Head 3x6		1					
7-28	EC647381	MP/C. (Lug Type Uni/D.) 3.5+1.5 μ F 150WV	34-4-106	1					
7-29x	ZS325495	Tapping Screw, #2 3x6 BR		2					
7-30	EJ496686	Wire Clip 220-JD486010-119	1-7-18	6					

When ordering parts, please describe Parts Number, Serial Number, and Model Number in detail.

8 ILLUSTRATION OF MECH. ASSEMBLY BLOCK



8) MECH. ASSEMBLY BLOCK

Ref. No.	Parts No.	Description	Schematic No.	Q'ty	Ref. No.	Parts No.	Description	Schematic No.	Q'ty
QUICK SWITCH BLOCK					8-64x	ZW270088	'E' Ring 1.9mm	6-14	1
8-1x	BS636917	Quick Switch Block			8-65x	MZ250413	Micro Insulator C	RC-107	1
		Comp.	NE	2	8-66	ES573456	Micro Switch K-2	2-1-30	5
8-2	EZ625781	Quick Switch Table, w/prop	MY-200	1	8-67x	ZW397146	Micro Switch Nut	KD-187	1
8-3x	ZS483502	Screw, Pan Head 3x13		2	8-68	ZS608264	Screw, Pan Head 3x25		2
8-4x	MH528513	Switch Pin	ND-100	1	8-69x	ZS483502	Screw, Pan Head 3x13		4
8-5x	MH527635	Switch Pipe	ND-104	1	8-70x,71x	EC551160	Ceramic/C, NB821YZ 0.01μF(Z) 1.4KWV	2-5-55	2
8-6x	ZW273756	Nut M3		1	8-72x,73x	ZS608264	Screw, Pan Head 3x25		4
8-7	ZG529211	Switch Spring	ND-100	1	8-74	ES250064	Micro Switch V-1A44 U/L	2-1-7	1
8-8x	ZW259738	Washer (Polyslider) D4.1x7x0.25t		1	8-75	MZ402377	Micro Insulator D	KD-206	1
8-9	ZW270101	'E' Ring 3 mm	6-14	1	8-76	ML643252	Stop Lever A, w/pin	NE-100	1
8-10	ES562465	Micro Switch K-1	2-1-28	2	8-77	MZ643274	Reset Slide B	NE-102	1
8-11	MZ529391	Quick Plate	ND-100	1	8-78	MZ643263	Reset Slide A	NE-101	1
8-12x	ZW622001	Washer, D3.1x13x0.5t		1	8-79	ZG669543	Reset Spring (2)	NE-107	1
8-13x	ZW622012	Washer, D3.1x5x0.2t		1	8-80x	MZ640023	Plunger Base	NE-102	1
8-14x	ZW270088	'E' Ring 1.9mm	6-14	1	8-81	EP665087	Plunger Solenoid 1240PHT1	4-1-75	1
PINCH ROLLER PLUNGER BLOCK					8-82x	ED570295	Silicon Diode 1N4003	4-2-41	1
8-15x	BZ636816	Pinch Roller Plunger Block Comp.	NE	1	8-83	ZS422076	Screw, Pan Head 3x5		2
8-16	MZ640034	Plunger Bracket	NE-100	1	8-84	MZ529650	Reverse Joint D	ND-106	1
8-17	EP638706	Plunger Solenoid 1660PHT	4-1-31	1	8-85	ML640001	D Switch Lever	NE-100	1
8-18x	ER376435	Spark Quencher U/L 0.1μ+120Ω 250WV	6-1-5	1	8-86x	ZS417216	Screw, Pan Head 3x4		2
8-19x	ZS422076	Screw, Pan Head 3x5		2	8-87x	MH257477	Connecting Pin	RD-211	1
8-20	MZ643331	P Plunger joint	NE-109	1	8-88x	ZW270088	'E' Ring 1.9mm	6-14	1
8-21	MH533913	Connecting Pin	TF-200	1	8-89	MZ527883	Reverse Joint B	ND-101	1
8-22x	ZW270088	'E' Ring 1.9mm	6-14	1	8-90	ML640091	Reverse Lever D, w/pin	NE-190	1
8-23	ML528445	P Lever	ND-100	1	8-91	MZ640045	D Lamp Table	NE-105	2
8-24	MS527591	Pinch Roller Shaft	ND-100	1	8-92x	EA642598	Lamp P.C. Board	NE-197	2
8-25x	ZW274026	Spring Washer, M5		1	8-93	EL621167	Pilot Lamp 5.5V 60mA	2-2-26	2
8-26x	ZW413278	Nut M5		1	8-94	MZ642533	Reverse Slide, w/pin	NE-184	1
8-27	MH529727	P Joint Pin B	ND-104	1	8-95x	MZ669532	Cushion, Prevention Shock	NE-109	1
8-28	MZ527848	P Joint	ND-105	1	8-96	ZG643285	Reset Spring	NE-103	1
8-29	ZS444262	Iso Screw, Binding Head 4x18		1	8-97	MZ643173	Pause Arm B	NE-102	1
8-30	ML644084	P Plunger Lever, w/pin	NE-107	1	8-98	ZW393851	Washer, (Nylon) D8.1x13x0.8t		1
8-31	MZ529378	Shifter Adjuster	ND-102	1	8-99	ZW334653	'E' Ring 7mm		1
8-32	ZS417216	Screw, Pan Head 3x4		2	8-100x	ZW274026	Spring Washer M5		1
8-33	MZ644106	Quick Plate	NE-105	1	8-101	ZG580768	Spoke Spring	TD-207	1
8-34x	ZS417216	Screw, Pan Head 3x4		2	8-102	MZ643320	Intermittently Slide, w/pin	NE-187	1
8-35	MZ529356	Pinch Roller Joint B	ND-107	1	8-103	ZW383635	Washer, (Polyslider) D4.2x7x0.25t		2
8-36x	MZ528557	P Joint Pin A	ND-100	1	8-104	MZ640067	Stopper	NE-107	2
8-37x	ZW270088	'E' Ring 1.9mm	6-14	1	8-105	MZ810191	Cushion Rubber, RD	RD-273	2
8-38x	ZW345442	Washer (Nylon)D4.2x9x11		1	8-106	MZ643162	Pause Arm A	NE-101	1
8-39	MZ802980	Spring Holder	RD-275	2	8-107	ZW270134	'E' Ring 5mm	6-14	1
8-40	ZG644095	Cramp Spring	NE-100	1	8-108	MZ640080	Quick Plate	NE-100	1
8-41	ZW413188	Nut M4		2	8-109	ZW270088	'E' Ring 1.9mm	6-14	1
MECH. ASSEMBLY BLOCK					8-110	ZG232121	Tension Lever Spring	MH-14	1
8-42	ML643241	Brake Lever	NE-109	1	8-111	ZG640124	P Spring	NE-108	1
8-43	MZ397181	Lever Cushion	KD-106	1	8-112	ZW270156	'E' Ring 6mm	6-14	1
8-44	MB606712	Stopper Rubber KJ	KJ-200	2	8-113	ML643206	QT Lever A, w/pin	NE-105	1
8-45	MZ529244	Switch Plate	ND-101	1	8-114	MZ643228	QT Joint	NE-107	1
8-46	ZS417216	Screw, Pan Head 3x4		1	8-115	ML643217	QT Lever B	NE-106	1
8-47	MZ314605	Spring Rack, MR	MR-101	1	8-116x	ZS417261	Screw, Pan Head 3x4		1
8-48	ZS323728	Screw, Binding Head 3x5		26	8-117x	MZ640326	Frame Shield	NE-104	1
8-49	MZ397080	Spring Rack	KD-100	1	8-118	ZG527938	FF Reset Spring	ND-104	1
8-50	ML314976	Brake Lever A	MR-210	1	8-119	EC638875	MP/C. (Lug Type) UN1/D, 4μF x 2 250WV AC	2-9-97	1
8-51	MT314987	Brake Band	MR-212	2	8-120x	EC642690	MP/C. (Lug Type) 2+3μF 250V AC (CSA)	2-9-102	1
8-52x	MZ314998	Brake Band Retaining Plate	MR-212	4	8-121x	ZS325495	Tapping Screw, #2 3x6BR		2
8-53	MZ315000	Brake Band Support	MR-214	2	8-122	MZ640056	Counter Base	NE-106	1
8-54	ZW290283	'U' Ring 2.85mm	6-1-1	23	8-123	MC638684	Counter MP490-23	9-1-4	1
8-55	ZG315011	Brake Lever Spring	MR-116	2	8-124x	EC364858	Elect./C. (Lug Type) 330μF 160WV	2-10-56	1
8-56	ML396810	Brake Lever B	KD-100	1	8-125x	EF563703	Fuse 2A 250V	2-1-50	1
8-57	ML529525	Brake Lever A	ND-109	1	8-126x	ZS325495	Tapping Screw #2 3x6BR		10
8-58	MZ640023	Plunger Base	NE-102	1	8-127	MP275984	Pinch Roller RD D=40	RD-221	1
8-59	EP638695	Plunger Solenoid 1240PHT	4-1-31	1	8-128	ZS642723	Lamp Cover A	NE-102	2
8-60x	ED570295	Silicon Diode 1N4003	4-2-41	1	8-129	ZS527681	Pinch Roller Set Screw	ND-101	1
8-61	ZS422076	Screw, Pan Head 3x5		10					
8-62	MZ529863	Pinch Roller Joint	ND-104	1					
8-63	MH257477	Connecting Pin	RD-211	1					

When ordering parts, please describe Parts Number, Serial Number, and Model Number in detail.

9 P.C. BOARDS

(1) P.B. AMP P.C. BOARD (NE-5036) BLOCK

Symbol No.	Parts No.	Description	Q'ty
(1)-1	BA636862	P.B. Amp P.C. Board Comp. (NE-5036)	1
(1)-TR1,2	ET234854	Transistor 2SC458LG(C)	4
(1)-TR3	ET398711	Transistor 2SC945(Q)(R)	2
(1)-TR4	ET234854	Transistor 2SC458LG(C)	2
(1)-TR5,6	ET398711	Transistor 2SC945L(Q)(R)	4
(1)-D1	ED219464	Germanium Diode 1N34A	2
(1)-T1	BT517274	Head Phone Trans. N16-535S	2
(1)-VR1	EV622056	Co-Axial 2-Throw Vol. V24LSGPHN 10k x 2	1
(1)-VR2	EV464220	Semi-Fixed/Vol. V8K4-1 50k	2
(1)-VR3	EV464196	Semi-Fixed/Vol. V8K4-1 2k	2
(1)-L1	EO624857	Inductor GE6070A 23mH	2
(1)-P1	EZ623878	Pin For V Connector, w/base RTB-1.5-4	1
(1)-2	EJ539662	Wrapping Post 1x17	26
Capacitor, Vertical Type			
(1)-C1	EC320040	Elect. 47 μ F 16WV	2
(1)-C2	EC432810	Elect. 10 μ F 16WV NL	2
(1)-C3	EC290520	VFM 100pF(J) 50WV	2
(1)-C4	EC467133	VFM 68pF(J) 50WV	2
(1)-C5	EC329771	Elect. 47 μ F 6.3WV	2
(1)-C6	EC290531	VFM 100pF(K) 50WV	2
(1)-C7	EC517138	Elect. 10 μ F 25WV NL	2
(1)-C8	EC329771	Elect. 47 μ F 6.3WV	2
(1)-C9	EC389485	Mylar 0.018 μ F(J) 50WV	2
(1)-C11	EC379787	Mylar 0.0039 μ F(J) 50WV	2
(1)-C12	EC424708	Mylar 0.0018 μ F(J) 50WV	2
(1)-C13	EC320051	Elect. 10 μ F 16WV	2
(1)-C14	EC220590	Elect. 33 μ F 10WV	2
(1)-C15	EC290564	VFM 220pF(K) 50WV	2
(1)-C16	EC450055	Elect. 1 μ F 25WV	2
(1)-C17	EC220678	Elect. 47 μ F 25WV	2
(1)-C18	EC329771	Elect. 47 μ F 6.3WV	2
(1)-C19	EC556525	FM 22pF(K) 500WV	2
(1)-C20	EC290531	VFM 100pF(K) 50WV	2
(1)-C21	EC320051	Elect. 10 μ F 16WV	2
(1)-C22	EC220364	Elect. 100 μ F 6.3WV	2
(1)-C23	EC389474	Mylar 0.0015 μ F(J) 50WV	2
(1)-C24	EC450055	Elect. 1 μ F 25WV	2
(1)-C25	EC320051	Elect. 10 μ F 16WV	2
(1)-C26	EC350706	Elect. 4.7 μ F 16WV	2

Carbon Resistor Omitted

(2) REC AMP P.C. BOARD (NE-5037) BLOCK

Symbol No.	Parts No.	Description	Q'ty
(2)-1	BA636873	Rec Amp P.C. Board Comp. (NE-5037)	1
(2)-TR1to4	ET234854	Transistor 2SC458LG(C)	8
(2)-TR5to7	ET398711	Transistor 2SC945(Q)(R)	4
(2)-TR8,9	ET399846	Transistor 2SC945(Q)	1
(2)-VR1,2	EV622078	Double Vol. V24LSDPHN 50k x 2	2
(2)-VR3	EV464207	Semi-Fixed/Vol. V8K4-1 5k	2
(2)-VR4,5	EV520806	Semi-Fixed/Vol. V8K4-1 10k	4
(2)-SW1,2	ES494302	Slide Switch CL104B	2
(2)-SW3	EC520795	Slide Switch CL204EO	1
(2)-L1	EO321254	Ferri Inductor FL7H 5.6mH(J)	2
(2)-T1	EO383365	OSC Coil OT-204	1
(2)-TC1,2	EC558202	Trimmer/C. TM-80A	4
(2)-P1	EZ624071	Pin For V Connector, w/base RTB-1.5-6	1
(2)-2	EJ539662	Wrapping Post 1x17	23
Capacitor, Vertical Type			
(2)-C1	EC290531	VFM 100pF(K) 50WV	2
(2)-C2	EC220678	Elect. 47 μ F 25WV	2
(2)-C3	EC432810	Elect. 10 μ F 16WV NL	2
(2)-C4	EC250604	Mylar 0.001 μ F(K) 50WV	2
(2)-C5	EC220386	Elect. 100 μ F 6.3WV	2
(2)-C6	EC556525	FM 22pF(K) 500WV	2
(2)-C7	EC394918	VFM 33pF(K) 50WV	2
(2)-C8	EC432810	Elect. 10 μ F 16WV NL	2
(2)-C9	EC329771	Elect. 47 μ F 6.3WV	2
(2)-C10	EC450055	Elect. 1 μ F 25WV	2
(2)-C11	EC357827	VFM 50pF(K) 50WV	2
(2)-C12	EC329771	Elect. 47 μ F 6.3WV	2
(2)-C13	EC357827	VFM 50pF(K) 50WV	2
(2)-C14	EC290520	VFM 100pF(J) 50WV	2
(2)-C15	EC333562	Mylar 0.18 μ F(K) 50WV	2
(2)-C16	EC329771	Elect. 47 μ F 6.3WV	2
(2)-C17	EC320051	Elect. 10 μ F 16WV	2
(2)-C18	EC220678	Elect. 47 μ F 25WV	2
(2)-C19	EC333562	Mylar 0.18 μ F(K) 50WV	2
(2)-C20	EC320051	Elect. 10 μ F 16WV	2
(2)-C21	EC220994	Elect. 10 μ F 25WV	2
(2)-C22	EC405898	Styro 470pF(J) 50WV	2
(2)-C23	EC250885	Mylar 0.01 μ F(K) 50WV	2
(2)-C24	EC250841	Mylar 0.01 μ F(J) 50WV	1
(2)-C25	EC250841	Mylar 0.01 μ F(J) 50WV	1
(2)-C26	EC220994	Elect. 10 μ F 25WV	1
(2)-C27	EC558235	Styro 1800pF(J) 250WV	1
(2)-C28	EC250885	Mylar 0.01 μ F(K) 50WV	1
(2)-C29	EC220151	Elect. 100 μ F 25WV	2

Carbon Resistor Omitted

**(3) SERVO CONTROL P.C. BOARD
(MY-2036) BLOCK**

Symbol No.	Parts No.	Description	Q'ty
(3)-1	BA636748	Servo Control P.C Board Comp. (MY-2036)	1
(3)-TR1,2	ET639437	Transistor 2SC945L(P)(Q)	2
(3)-TR3,4	ET399846	Transistor 2SC945(Q)	2
(3)-TR5	ET538154	Transistor 2SA564(Q)(R)	1
(3)-TR6	ET399846	Transistor 2SC945(Q)	1
(3)-TR7	ET623867	Transistor 2SD361(D1)(D2)	1
(3)-TR8	ET639437	Transistor 2SC945L(P)(Q)	1
(3)-VR1	EV621955	Semi-Fixed Vol. V10K8-1-5 10k Ω	1
(3)-VR2	EV621966	Semi-Fixed Vol. V10K8-1-5 30k Ω	1
(3)-D1	ED557447	Silicon Diode 1S1588	1
(3)-D2to5	ED224548	Silicon Diode 10D2	4
(3)-TH1	ED593357	Thermistor 34D21	1
(3)-R20	ER593346	Cement/R. (Wire-Wound Type) 2W 330 Ω (K)	1
(3)-2	ZS421806	Screw, Pan Head 3x8	1
(3)-3	ZW273756	Nut M3	1
(3)-4	EZ615047	Heat-Sink Plate A	1
(3)-5	ZS422076	Screw, Pan Head 3x5	2
(3)-6	MZ640315	Servo Holder	1
(3)-7	ZS422076	Screw, Pan Head 3x5	4

Capacitor, Vertical Type

(3)-C1	EC251291	Mylar 0.1 μ F(K) 50WV	1
(3)-C2	EC251122	Mylar 0.027 μ F(K) 50WV	1
(3)-C3	EC250582	Mylar 0.0033 μ F(K) 50WV	1
(3)-C4	EC331828	Elect. 3.3 μ F 25WV	1
(3)-C5	EC251122	Mylar 0.027 μ F(K) 50WV	1
(3)-C6	EC250582	Mylar 0.0033 μ F(K) 50WV	1
(3)-C7	EC311793	Mylar 0.012 μ F(K) 50WV	1
(3)-C8	EC557166	Solid Aluminum 3.3 μ F 25WV	1
(3)-C9	EC450055	Elect. 1 μ F 25WV	1
(3)-C10	EC320051	Elect. 10 μ F 16WV	1
(3)-C11	EC220151	Elect. 100 μ F 25WV	1
(3)-C12	EC250885	Mylar 0.01 μ F 50WV	1
(3)-C13	EC346735	Elect. 47 μ F 50WV	1

Carbon Resistor Omitted

(4) POWER SUPPLY P.C BOARD (NE-1048) BLOCK

Symbol No.	Parts No.	Description	Q'ty
(4)-1	BA636737	Power Supply P.C Board Comp. (NE-1048)	1
(4)-TR1	ET398711	Transistor 2SC945L(Q)(R)	1
(4)-TR2	ET511694	Transistor 2SC1211(D)(E)	1
(4)-TR3	ET537300	Transistor 2SD361(D)(E)	1
(4)-R1	ER517094	Metal Oxide Film/R. 2W 330 Ω (K)	1
(4)-VR1	EV554670	Semi-Fixed Vol. V10K8-1-5 1k Ω	1
(4)-CR1to10	ER376435	Spark Quencher U/L 0.1 μ F+120 Ω 250WV	10
(4)-RL1	EP638763	Relay MY4-0-US DC24V	1
(4)-D1	ED624903	Silicon Diode 1S2473	1
(4)-D2to7	ED560913	Silicon Diode 1S2473 VE	6
(4)-D8	ED357794	Zener Diode RD-5A(M)	1
(4)-D9to12	ED511097	Silicon Diode 1N4001	4
(4)-D13to15	ED570295	Silicon Diode 1N4003	3
(4)-2	MZ640102	Sys. Con. Holder A	1
(4)-3	MZ640113	Sys. Con. Holder B	1
(4)-4	ZS325495	Tapping Screw #2 3x6 BR	2
(4)-5	EZ626894	Heat-Sink Plate B	1
(4)-6	ZS421806	Screw, Pan Head 3x8	1
(4)-7	ZW273756	Nut M3	1
(4)-8	ZS417216	Screw, Pan Head 3x4	2

Capacitor, Vertical Type

(4)-C1	EC450281	Elect. 0.47 μ F 50WV	1
(4)-C2,3	EC220151	Elect. 100 μ F 25WV	1
(4)-C4	EC220678	Elect. 47 μ F 25WV	1
(4)-C5	EC313121	Elect. 220 μ F 25WV	1
(4)-C7	EC372148	Elect. 220 μ F 35WV	1
(4)-C8	EC565345	Elect. 100 μ F 50WV	1
(4)-C9	EC564952	Elect. 470 μ F 50WV	1

Carbon Resistor Omitted

**(5) EQUALIZER SWITCH P.C BOARD
(NE-5038) BLOCK**

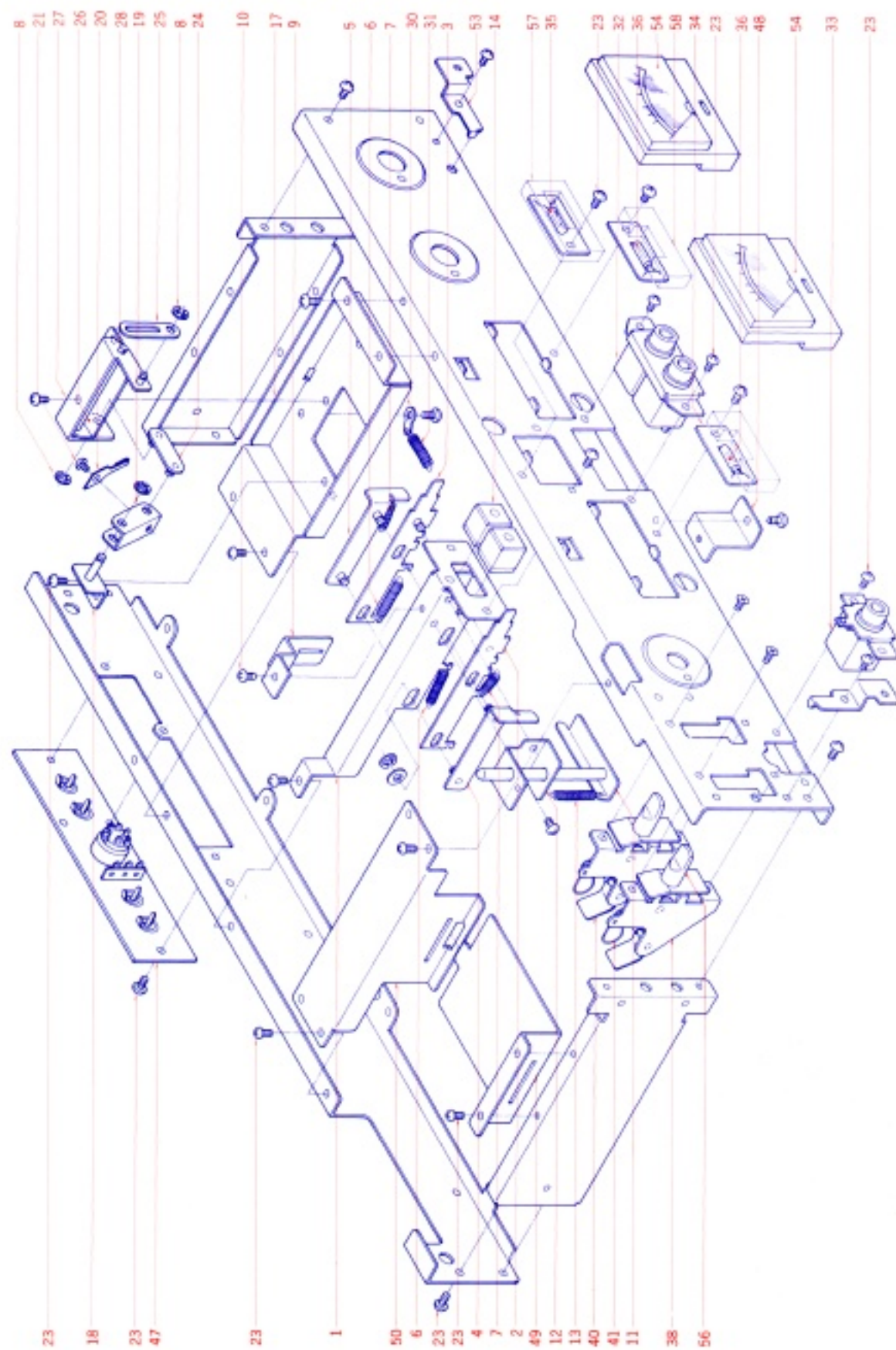
Symbol No.	Parts No.	Description	Q'ty
(5)-1	BA636884	Equalizer Switch P.C. Board Comp. (NE-5038)	1
(5)-L1	EO369178	Ferri Inductor FL7H 1.5mH(J)	2
(5)-L2	EO380564	Ferri Inductor FL7H 1.8mH(J)	2
(5)-SW1	ES494302	Slide Switch CL104B	2
(5)-SW2	ES496642	Slide Switch CL106B (CL162A25)	1
(5)-2	EJ539662	Wrapping Post 1x17	19
		Capacitor, Vertical Type	
(5)-C1	EC329861	Mylar 0.027 μ F(J) 50WV	2
(5)-C2	EC368335	Mylar 0.022 μ F(J) 50WV	2
(5)-C3	EC379214	Mylar 0.047 μ F(J) 50WV	2
(5)-C4	EC379157	Mylar 0.033 μ F(K) 50WV	2

Carbon Resistor Omitted

(6) RESISTOR P.C BOARD (NE-1046) BLOCK

Symbol No.	Parts No.	Description	Q'ty
(6)-1	BA636772	Resistor P.C Board Comp. (NE-1046)	1
(6)-2	BA636783	Resistor P.C. Board Comp. (NE-1046)(CSA)	1
(6)-D1	ED570295	Silicon Diode 1N4003	1
(6)-3	MZ528164	Resistor Mt. Metal Fitting	1
(6)-4	ZS325495	Tapping Screw, #2 3x6 BR	4
(6)-R1	ER554905	Cement/R. (Wire-Wound Type) 5W 12 Ω (K)	1
(6)-R2	ER638774	Cement/R. (Wire-Wound Type) 10W 82 Ω (K)	1
(6)-R2	ER649978	Cement/R. (Wire-Wound Type) 5W 250 Ω (K) (CSA)	1
(6)-R3	ER638785	Cement/R. (Wire-Wound Type) 10W 22 Ω (K)	1
(6)-R4	ER651317	Cement/R. (Wire-Wound Type) 5W 220 Ω (K)	1
(6)-R4	ER649967	Cement/R. (Wire-Wound Type) 10W 39 Ω (K) (CSA)	1
(6)-C1,2	EC565885	MP/C. (Tub. Type) 0.47 μ F(M) 250WV AC	2

10 ILLUSTRATION OF AMP ASSEMBLY BLOCK



10) AMP ASSEMBLY BLOCK

Ref. No.	Parts No.	Description	Schematic No.	Qty
REC LEVER BLOCK				
10-1	MZ643860	Recording Lever Base	NE-904	1
10-2	ML643915	Recording Lever A, w/pin	NE-905	1
10-3	ML639033	Recording Lever B, w/pin	NE-905	1
10-4	ML643926	Recording Lever C, w/pin	NE-906	1
10-5	ML639101	Recording Lever D, w/pin	NE-906	1
10-6	ZG643037	Recording Lever Spring A	NE-905	2
10-7	ZG643026	Recording Lever Spring B	NE-902	2
10-8	ZW270101	'E' Ring 3M	6-1-9	9
10-9	MZ643037	Stopper	NE-907	1
10-10	ZS417216	Screw, pan head 3x4		3
10-11	MZ643950	Lock Plate, w/con rod	NE-909	1
10-12	MZ643961	Rod Stand	NE-909	1
10-13	ZG643015	Lock Spring	NE-903	1
10-14	SK643004	Rec Knob	NE-908	2
10-15x	ZW601075	Washer D4.1x7x0.1t		2
10-16x	ZW322525	Washer (PBP) D4.1x7x0.2t		2
REVERSE LEVER BLOCK				
10-17	MZ642993	Reverse Lever Table	NE-905	1
10-18	MZ642936	Lever Holder B, w/pin	NE-905	1
10-19	ML642960	Reverse Lever G	NE-908	1
10-20	ZG642914	Reverse Spring	NE-903	1
10-21	ZS432674	Screw, pan head 3x3		1
10-22x	ZW290283	'U' Ring 2.85M	6-1-1	1
10-23	ZS325495	Tapping Screw #2 3x6		53
10-24	ML642971	Reverse Lever B, w/pin	NE-907	1
10-25	MZ655975	Reverse Slide Joint	NE-901	1
10-26	MZ642958	Lever Holder A	NE-908	1
10-27	ML642982	Reverse Lever A	NE-906	1
10-28	MS642947	Reverse Lever Shaft	NE-900	1
10-29x	ZW653163	Retaining Ring CS Type 3	6-1-14	1
10-30	ZW562476	Earth Lug M3		1
10-31	ZG642903	Reverse Return Spring	NE-904	1
AMP CHASSIS BLOCK				
10-32	EJ639292	2-through Jack	31-2-8	1
10-33	EJ639303	Head Phone Jack	31-2-9	1
10-34	EA642598	Lamp P.C. Board	NE-1047	3
10-35	EL619064	Lamp 24V 35MA	28-2-40	1
10-36	EL621167	Pilot Lamp 5.5V 60MA	28-2-36	2
10-37x	EZ642892	Meter Cushion	NE-909	2
10-38	MZ644040	M Switch Base, w/prop	NE-907	2
10-39x	ZW270088	'E' Ring 1.9M	6-1-9	2
10-40	MZ644027	M Joint	NE-909	2
10-41	ZG644016	Return Spring	NE-901	2
10-42x	ML580408	SW. Lever	TD-202	2
10-43x	ZW322525	Washer (PBP) D4.1x7x0.2t		2
10-44x	ZW589893	Washer D4.1x7x0.4t		2
10-45x	ZW381881	Washer D4.3x13x1t		2
10-46x	ZS369145	ISO Screw, countersunk head 3x5 D=5		4
10-47	EZ638921	Jack Plate NE	31-5-123	1
AMP ASSEMBLY BLOCK				
10-48	MZ643994	P.C. Board Holder	NE-906	1
10-49	EZ643904	EQ Shield Plate	NE-903	1
10-50	EZ644051	EQ P.C. Board Holder	NE-903	1
10-51x	EJ639112	9P Plug Housing 103-3-9P	4-1-85	1
10-52x	EJ639145	M Terminal 103-3P9	31-1-84	7
10-53	MZ644005	Panel Mt. Plate	NE-906	2
10-54	EM558180	VU Meter KL-243S-5	46-1-34	2
10-55x	EZ643871	Amp. Shield	NE-905	1
10-56	SK638976	Knob 1-C	CP-901	2
10-57	SZ642723	Lamp Cover A	NE-902	1
10-58	SZ642802	Lamp Cover B	NE-902	2

11 PHOTO OF FINAL ASSEMBLY BLOCK



11) FINAL ASSEMBLY BLOCK

Ref. No.	Parts No.	Description	Schematic No.	Q'ty	Ref. No.	Parts No.	Description	Schematic No.	Q'ty	
FRONT PANEL BLOCK					FINAL ASSEMBLY BLOCK					
11-1X	BZ636895	Front Panel Block Comp.	NE	1	11-20x	SE627120	Ventilator	MX-804	1	
11-2	SP643364	Panel	NE-800	1	11-21x	SM642835	Jack Name Plate	NE-801	1	
11-3	SC642745	Head Cover Base	NE-802	1	11-22	ZS613901	Panel Screw	CW-803	6	
11-4x	MZ642881	Pinch Roller Mask	NE-803	1	11-23x	MH642857	Head Cover Prop	NE-809	2	
11-5x	ZW447568	Tapping Screw #1 3x6 Truss		2	11-24	SC642734	Head Cover	NE-807	1	
11-6	SE642870	Panel Escutcheon	NE-804	2	11-25x	MZ642868	Head Cover Support	NE-808	2	
11-7	SZ639685	Lamp Lens B-1	NE-805	1	11-26x	SM642756	Head Cover Name Plate	NE	NE-813	1
11-8x	SE639674	Rec Knob Escutcheon	NE-806	1	11-27x	HZ645311	Head Cover Shield	NE-803	1	
11-9	SE642767	VU Meter Escutcheon	NE-804	2	11-28	SK646053	Pinch Roller Cap B	ND-803	1	
11-10x	ZS379405	ISO Screw, binding head 3x6		8	11-29	SK631078	Double Knob (Upper)	MY-826	2	
11-11	SE581602	Reel Table Escutcheon 2	TD-801	2	11-30	SK631067	Double Knob (Lower)	MY-827	2	
11-12	SE613866	Button Escutcheon C	CW-805	5	11-31	SK631056	Single Knob	MY-828	1	
11-13	SE626951	Counter Escutcheon	MY-808	1	11-32x	EF563681	Fuse 1A 250V	38-1-90	1	
11-14x	SE534238	DL Escutcheon	TM-806	2						
CASE BLOCK										
11-15	BC639088	Case	NE-806	1						
11-16	SZ632070	Square Foot	MY-805	2						
11-17x	SA632081	Rubber Foot	MY-807	4						
11-18x	ZW424980	Tapping Screw #2 4x12 Truss		4						
11-19x	SZ480712	Dust Cover Pin	LE-803	2						

When ordering parts, please describe Parts Number, Serial Number, and Model Number in detail.

12 LIST OF INTERCHANGEABLE SEMICONDUCTORS

As far as service is concerned, in case the original parts cannot be obtained, the interchangeable parts listed below can be substituted.

Original Parts			Interchangeable Parts	
Description	Parts No.	Utilizing P.C Board	Description	Parts No.
2SC458LG (C)	ET234854	NE-5036 NE-5037	2SC693U (F)	ET315472
			2SC1312R (G),(H)	ET610413
			2SC1312S (G),(H)	ET603257
2SC945L (Q),(R)	ET398711	NE-5036	2SC711 (E),(F)	ET453486
2SC945 (P),(Q)	ET478001	NE-5037	2SC1647 (R)(S)(E)	ET623733
2SC945 (Q)	ET399846	MY-2036	2SC1641(Q)(R)(S)(E)	ET603843
2SC1211 (D),(E)	ET511694	NE-1048	2SC1247A (B),(V)	ET511920
2SD361 (D1),(D2)	ET623867	NE-1048	2SD361 (D),(E)	ET537300
			2SC1061 (B),(C)	ET375603
			2SC1449 (K)(L)(H)	ET635815
2SA564 (Q),(R)	ET538154	MY-2036	2SA733 (Q),(R)	ET538378
			2SA628 (D),(E)	ET538110
			2SA640 (E),(F)	ET623790
TIP-48	ET621786		TIP-47	ET621775
RD-5A(M)	ED357794	NE-1048	XZ-049	ED570521
1N4001	ED511097		10D05	ED494583
1N4003	ED570295	See Note-1	10D2	ED224548
1N4003	ED570295	NE-1046	10D4	ED224550
		See Note-2		

Note-1 Mech Block and Power Supply P.C Board NE-1048

Note-2 Resistor P.C Board NE1046 only

SECTION 1

SERVICE MANUAL

TABLE OF CONTENTS

I.	SPECIFICATIONS	4
II.	DISMANTLING OF UNIT	6
III.	ARRANGEMENT OF PRINCIPAL PARTS	7
IV.	MECHANISM ADJUSTMENT	8
	1. POSITION ADJUSTMENT OF PINCH WHEEL SOLENOID SL-3	9
	2. PINCH WHEEL POSITION ADJUSTMENT AT STOP MODE	9
	3. PINCH WHEEL PRESSURE ADJUSTMENT	9
	4. POSITION ADJUSTMENT OF PLAY HOLD MICROSWITCH SW-11	9
	5. SLIDE ADJUSTMENT	9
	6. POSITION ADJUSTMENT OF QUICK PLATE	9
	7. POSITION ADJUSTMENT OF RECORDING MICROSWITCH SW-5	9
	8. POSITION ADJUSTMENT OF BRAKE SOLENOID SL-2	11
	9. POSITION ADJUSTMENT OF BRAKE SOLENOID MICROSWITCH SW-8	11
	10. BRAKE TENSION ADJUSTMENT	11
	11. PAUSE ADJUSTMENT	11
	12. POSITION ADJUSTMENT OF REVERSE SOLENOID SL-1	11
	13. D SWITCH LEVER ADJUSTMENT	11
	14. INSTALLATION POSITION ADJUSTMENT OF REVERSE JOINT	11
	15. INSTALLATION POSITION ADJUSTMENT OF HEAD SWITCH SW-3	13
	16. CAPSTAN SHAFT LOOSE PLAY ADJUSTMENT	13
	17. OPERATING POSITION ADJUSTMENT OF TENSION MICROSWITCH SW-14	13
	18. TAPE GUIDE HEIGHT ADJUSTMENT	13
	19. REEL TABLE HEIGHT ADJUSTMENT	13
V.	HEAD ADJUSTMENT	14
VI.	AMPLIFIER SYSTEM ADJUSTMENT	16
	1. DC POWER SUPPLY VOLTAGE ADJUSTMENT	16
	2. TAPE SPEED ADJUSTMENT	16
	3. RECORDING AND PLAYBACK AMPLIFIER ADJUSTMENT	16
VII.	DC RESISTANCE OF VARIOUS COILS	18
VIII.	CLASSIFICATION OF VARIOUS P.C BOARDS	19
	1. RELATION OF P.C BOARD TITLE AND NUMBER	19
	2. COMPOSITION OF VARIOUS P.C BOARDS	19

For basic adjustments, measuring methods, and operating principles, refer to GENERAL OPERATING PRINCIPLES AND ADJUSTMENTS.