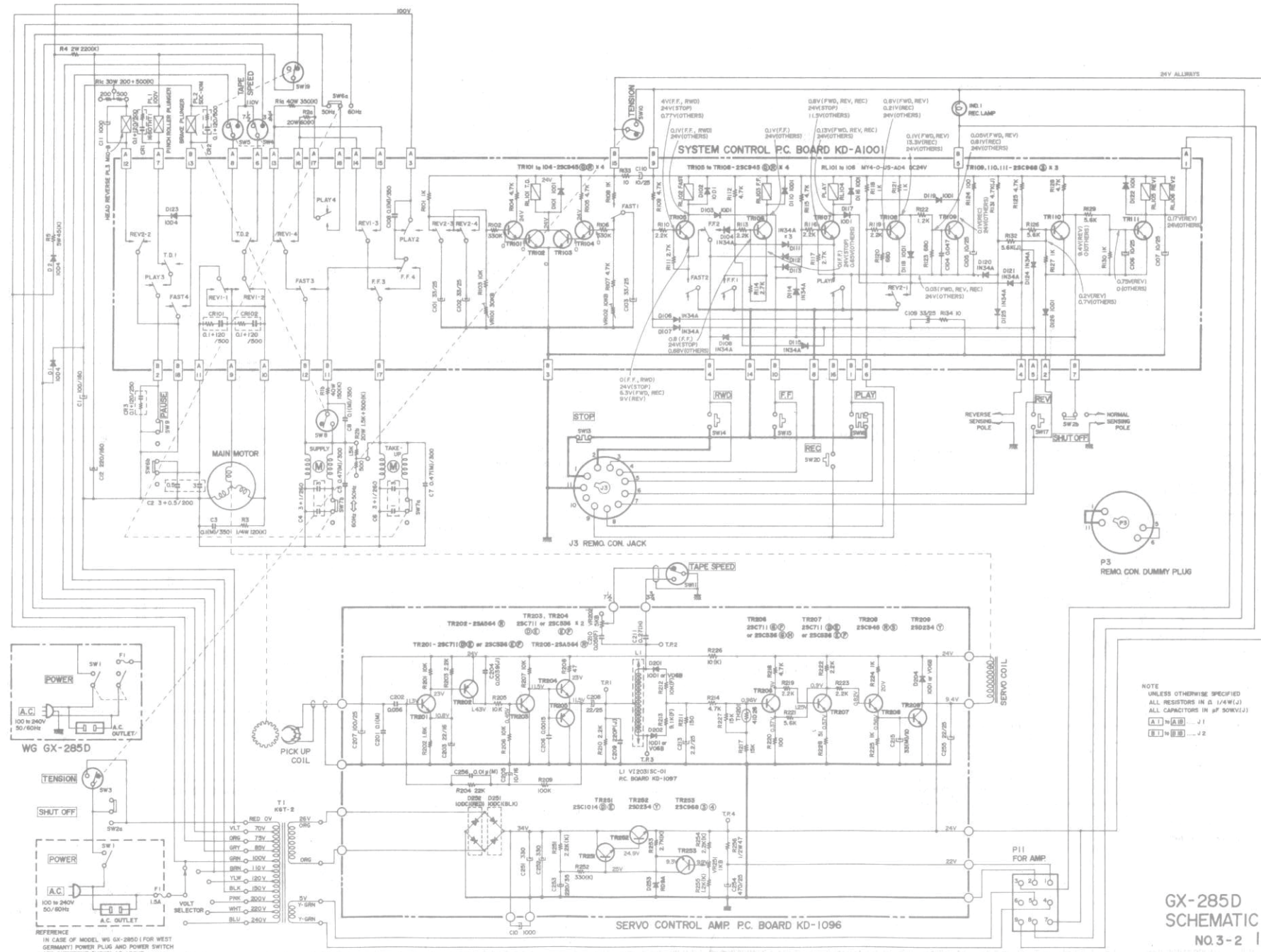
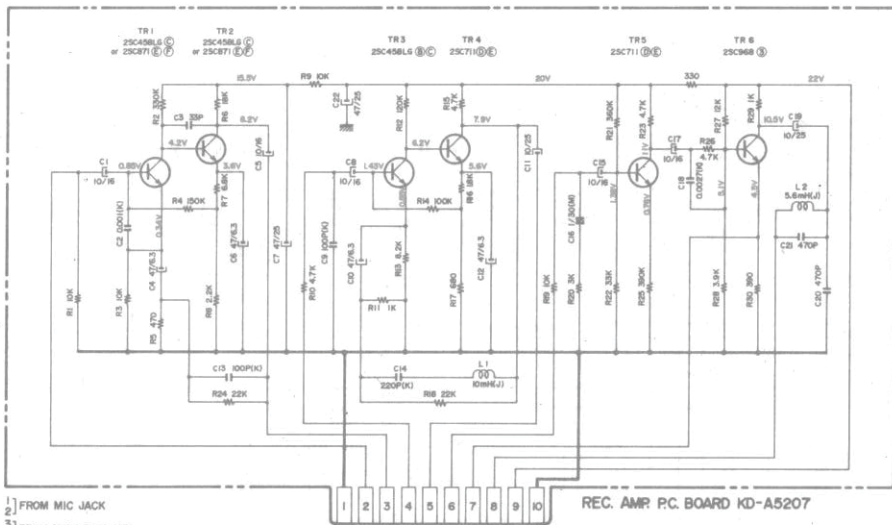


NOTE
UNLESS OTHERWISE SPECIFIED
ALL RESISTORS IN Ω 1/4W $\frac{1}{2}$
ALL CAPACITORS IN μ F 50W.V. (J)



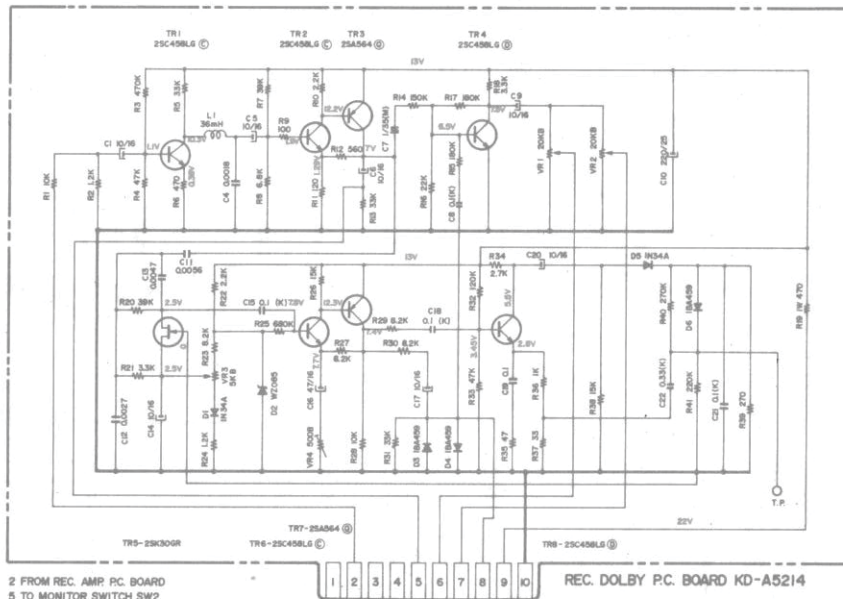
NOTE
UNLESS OTHERWISE SPECIFIED
ALL RESISTORS IN Ω (1/4W(J))
ALL CAPACITORS IN μF (50V(K))
[A] [B] [C] [D] [E] [F] [G] [H] [I] [J]
[K] [L] [M] [N] [O] [P] [Q] [R] [S] [T] [U] [V] [W] [X] [Y] [Z]

GX-285D
SCHEMATIC DIAGRAM
NO.3-2 1460245A



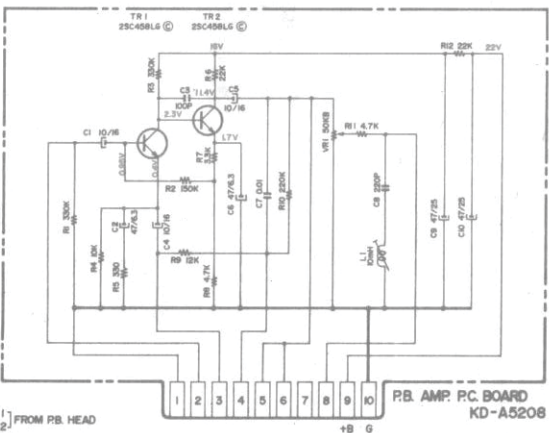
- 1] FROM MIC JACK
- 2] FROM MIC LEVEL VR1
- 3] FROM MIC LEVEL VR1
- 5] TO REC. DOLBY PC. BOARD
- 6] TO LOW NOISE SWITCH SW19
- 7] TO TAPE SPEED SWITCH SW301
- 8] TO TRACK SELECTOR SWITCH SW302

REC. AMP. PC. BOARD KD-A5207



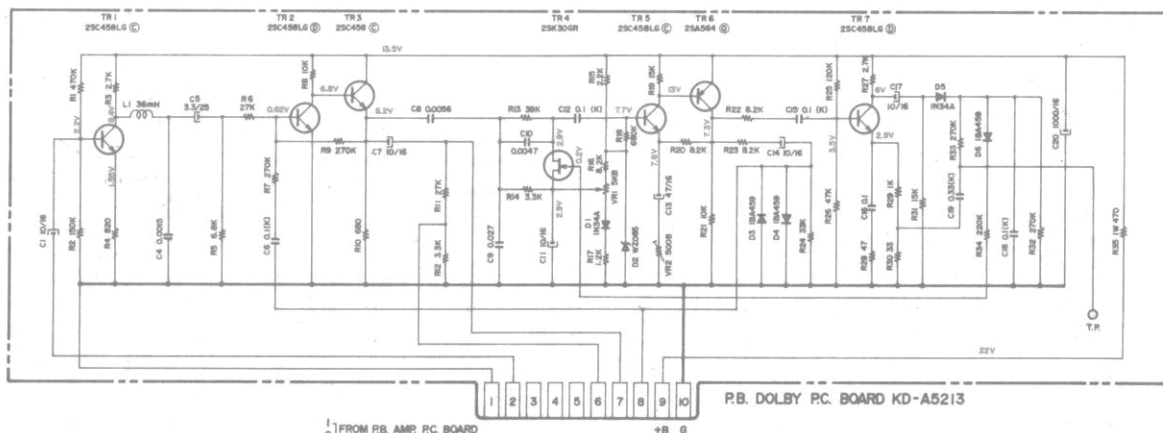
- 2] FROM REC. AMP. PC. BOARD
- 5] TO MONITOR SWITCH SW2
- 6] TO LOW NOISE SWITCH SW19
- 8] TO DOLBY SWITCH SW3

REC. DOLBY PC. BOARD KD-A5214



- 1] FROM RB. HEAD
- 2] TO TAPE SPEED SWITCH SW301
- 3] TO RB. DOLBY AMP. PC. BOARD

RB. AMP. PC. BOARD KD-A5208



- 1] FROM RB. AMP. PC. BOARD
- 2] TO VOLUME PC. BOARD-D
- 7] TO S.O.S. SWITCH SW1
- 8] TO DOLBY SWITCH SW3

P.B. DOLBY PC. BOARD KD-A5213

NOTE
UNLESS OTHERWISE SPECIFIED
ALL RESISTORS IN Ω (4W 1/2)
ALL CAPACITORS IN μ F (50WV1)