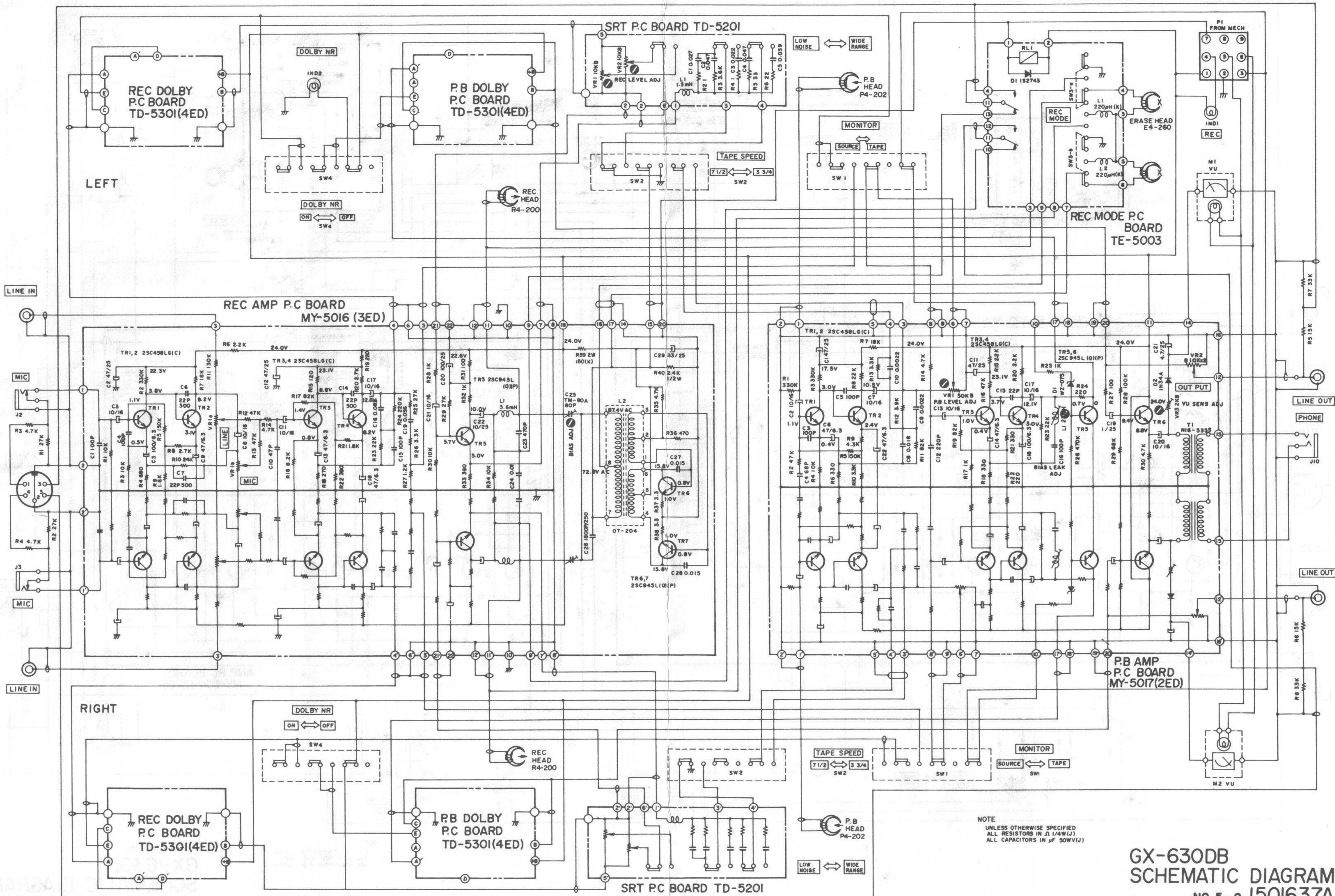


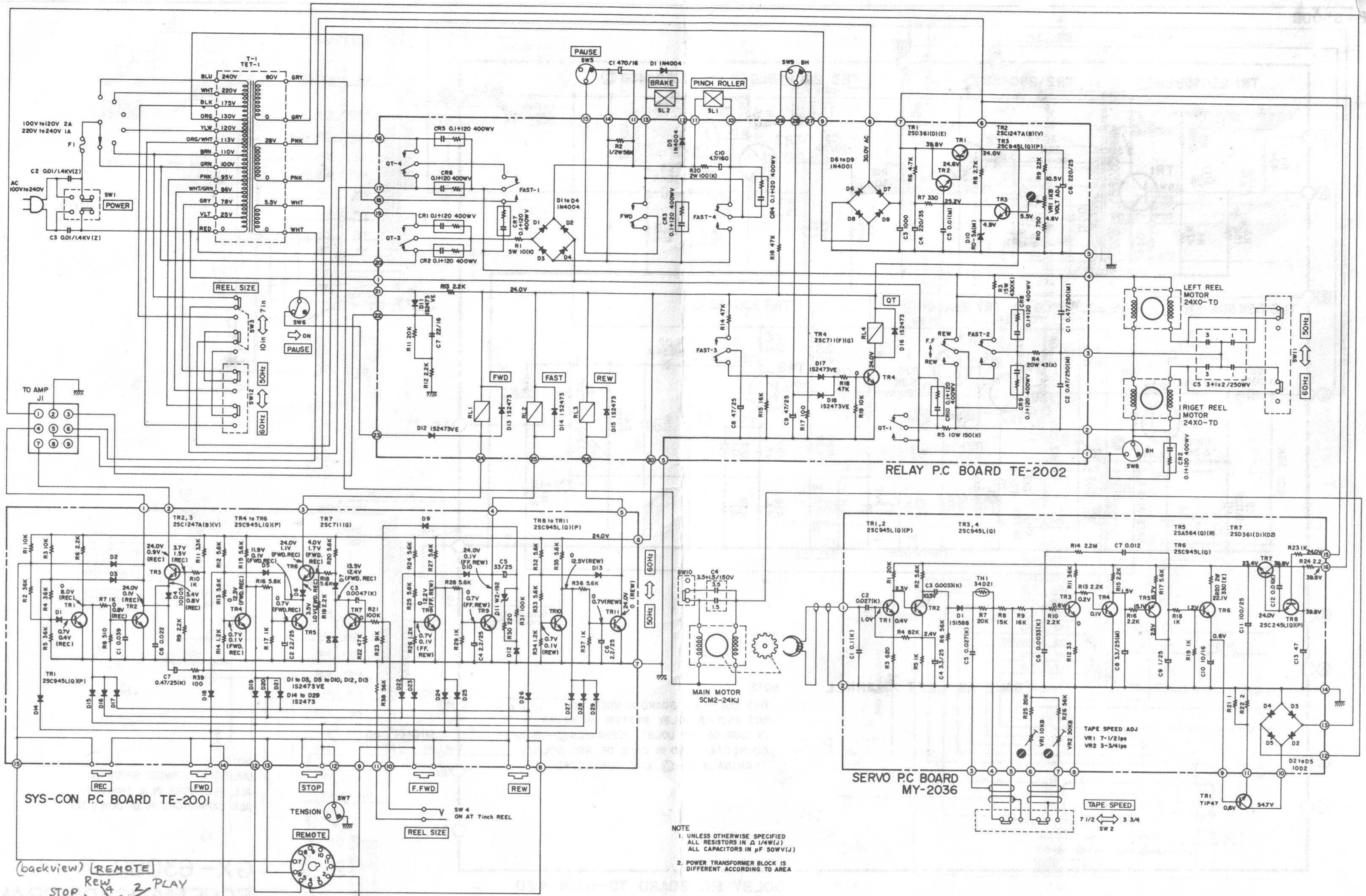
NOTE  
 UNLESS OTHERWISE SPECIFIED  
 ALL RESISTORS IN  $\Omega$  1/4W(J)  
 ALL CAPACITORS IN  $\mu$ F 50WV(J)

GX-630D  
 SCHEMATIC DIAGRAM  
 No. 5-1 1501636A

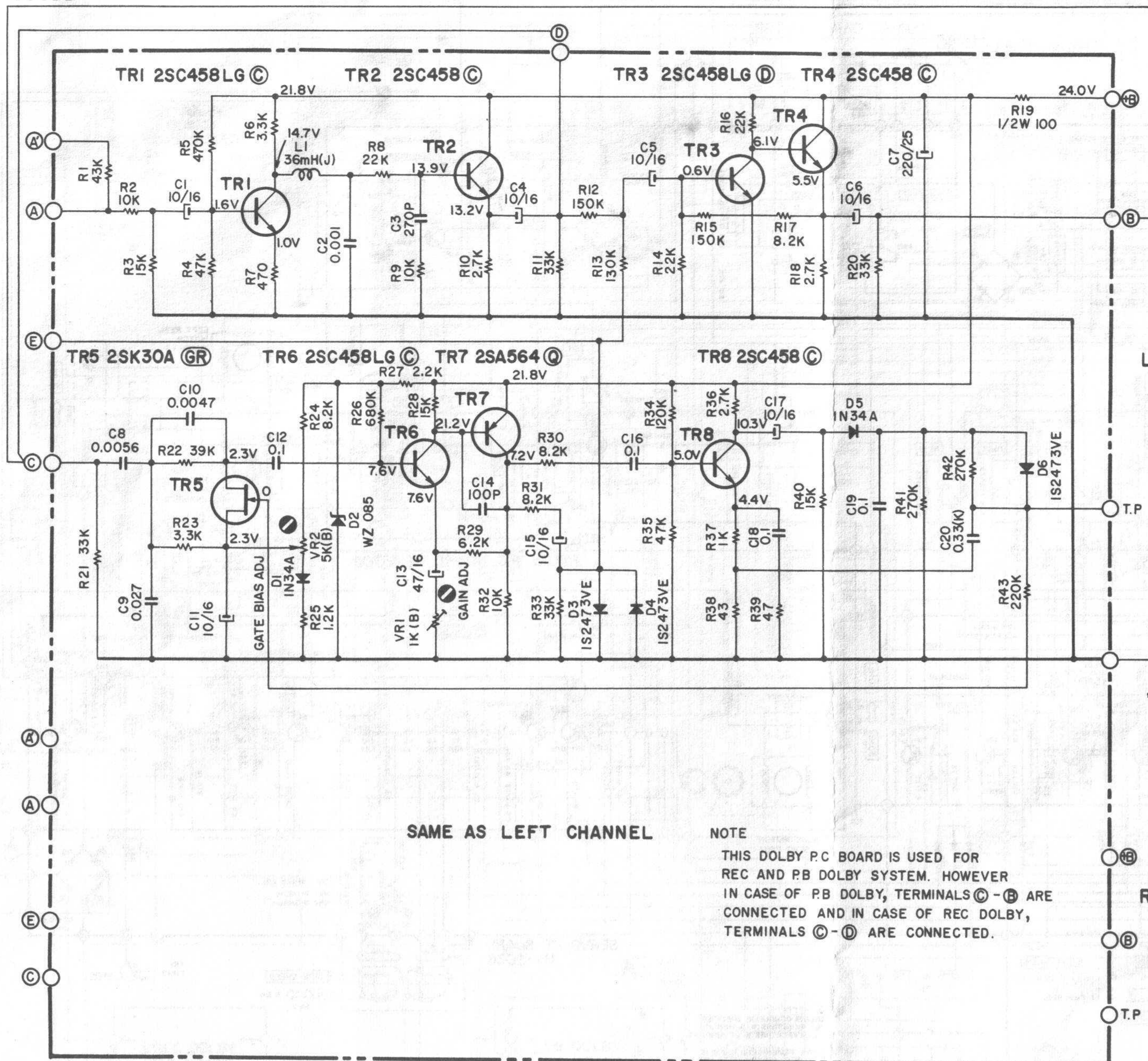


NOTE  
UNLESS OTHERWISE SPECIFIED  
ALL RESISTORS IN  $\Omega$  1/4W(J)  
ALL CAPACITORS IN  $\mu$ F 50WV(J)

GX-630DB  
SCHEMATIC DIAGRAM  
No. 5-2 1501637A



NOTE  
 1. UNLESS OTHERWISE SPECIFIED ALL RESISTORS IN  $\Delta$  1/4W(J)  
 ALL CAPACITORS IN  $\mu$ F 50WV(J)  
 2. POWER TRANSFORMER BLOCK IS DIFFERENT ACCORDING TO AREA



SAME AS LEFT CHANNEL

NOTE  
 THIS DOLBY P.C BOARD IS USED FOR  
 REC AND P.B DOLBY SYSTEM. HOWEVER  
 IN CASE OF P.B DOLBY, TERMINALS C - B ARE  
 CONNECTED AND IN CASE OF REC DOLBY,  
 TERMINALS C - D ARE CONNECTED.

NOTE  
 UNLESS OTHERWISE SPECIFIED  
 ALL RESISTORS IN  $\frac{1}{4}W(J)$   
 ALL CAPACITORS IN  $\mu F$  50WV (J)

DOLBY P.C BOARD TD-5301 4ED

GX-630DB  
 SCHEMATIC DIAGRAM  
 NO.5-4 1501639A

