

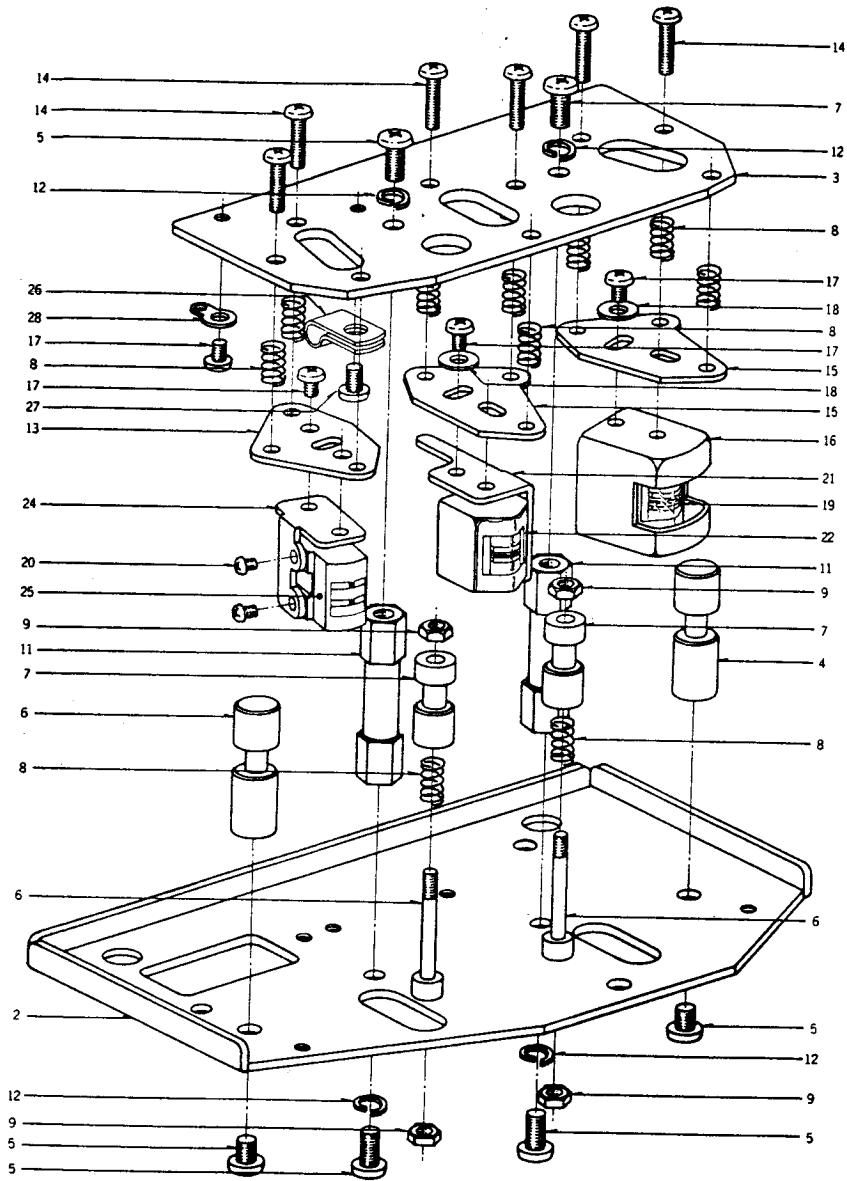
For Service Manuals Contact  
MAURITRON TECHNICAL SERVICES  
8 Cherry Tree Rd, Chinnor  
Oxon OX9 4QY  
Tel: 01844-351694 Fax: 01844-352554  
Email: enquiries@mauritron.co.uk

THE QUALITY OF  
THIS MANUAL IS  
THE BEST THAT  
IS AVAILABLE

# SERVICE MANUAL

AKAI STEREO TAPE DECK  
MODEL **GX-630D**  
ALSO APPLICABLE TO MODEL GX-8300B

# 1 ILLUSTRATION OF HEAD BLOCK



## 1) HEAD BLOCK

| Ref. No. | Parts No. | Description                 | Schematic No. | Q'ty |
|----------|-----------|-----------------------------|---------------|------|
| 1-1x     | BH638008  | Head Block Comp. GX-630D/DB |               | 1    |
| 1-2      | HZ643544  | Head Base                   | TE-0001       | 1    |
| 1-3      | HZ645298  | Head Base C                 | TD-0001       | 1    |
| 1-4      | HZ803597  | Tape Guide A                | RD-3          | 2    |
| 1-5      | ZS537006  | Screw, binding head 4x8     |               | 6    |
| 1-6      | MH578957  | Tape Guide Prop             | TD-0003       | 2    |
| 1-7      | HZ532710  | Tape Guide B                | TW-0006       | 2    |
| 1-8      | ZG466312  | Angle Adjust Spring E       | BS-0018       | 11   |
| 1-9      | ZW273835  | Nut M3                      |               | 4    |
| 1-10x    | ZW273745  | Spring Washer M3            |               | 2    |
| 1-11     | MH529233  | Head Base Prop B            | ND-0017       | 2    |
| 1-12     | ZW273914  | Spring Washer M4            |               | 4    |
| 1-13     | HZ532732  | CH Retaining Base           | TW-0008       | 1    |
| 1-14     | ZS562432  | Screw, binding head 3x13    |               | 9    |
| 1-15     | HZ532765  | PH Retaining Base           | TW-0010       | 2    |
| 1-16     | HZ532776  | Shield Case                 | TW-0011       | 1    |
| 1-17     | ZS396000  | Screw, binding head 3x4     |               | 7    |
| 1-18     | ZW413256  | Washer (SPC) D3.4x7.8x0.5t  |               | 2    |
| 1-19     | HP536501  | PB. HEAD P4-202             |               | 1    |
| 1-20     | ZS394525  | Screw, binding head 2x3     |               | 2    |
| 1-21     | HA533597  | RH Angle                    | TW-0201       | 1    |
| 1-22     | HR384513  | REC. HEAD R4-200            |               | 1    |
| 1-23x    | ZS460438  | Screw, binding head 2x3     |               | 2    |
| 1-24     | HA533608  | EH Angle                    | TW-0202       | 1    |
| 1-25     | HE563220  | ERASE HEAD E4-260           |               | 1    |
| 1-26     | EJ315101  | Nylon Clip HP-4N            | 2-7-38        | 1    |
| 1-27     | ZS355511  | Screw, binding head 3x6     |               | 1    |
| 1-28     | ZW273881  | Earth Lug M4                |               | 1    |

Handwritten note: *HAH110C A0100*

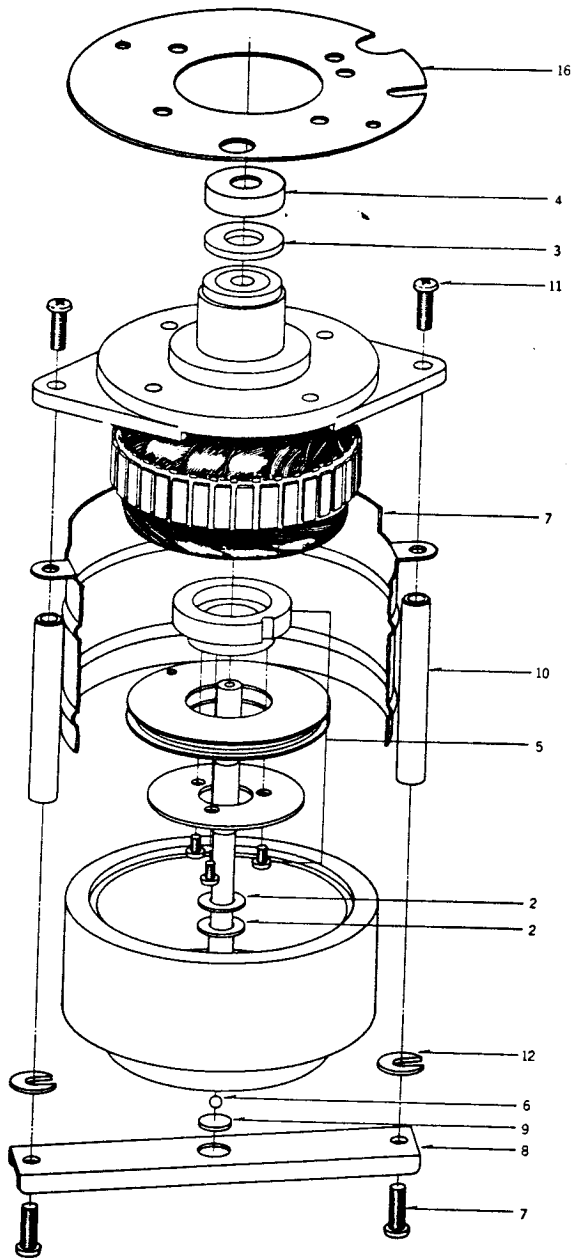
## 2) MAIN MOTOR BLOCK

| Ref. No. | Parts No. | Description                        | Schematic No. | Q'ty |
|----------|-----------|------------------------------------|---------------|------|
| 2-1x     | BM637975  | Main Motor Block (SCM2-24KJ) Comp. | KJ.MY.NE.TE   | 1    |
| 2-2      | ZW597543  | Thrust Washer A                    | KJ-7009       | 2    |
| 2-3      | ZW597622  | Felt Washer                        | KJ-7022       | 1    |
| 2-4      | SK597633  | Cap                                | KJ-7023       | 1    |
| 2-5      | BZ600300  | Detector Gear Block Comp.          | KJ.MY.NE.TE   | 1    |
| 2-6      | MV368886  | Steel Ball D3                      |               | 1    |
| 2-7      | MZ650046  | Motor Shield Plate                 | TE-7008       | 1    |
| 2-8      | MZ597644  | Thrust Angle                       | KJ-7024       | 1    |
| 2-9      | MZ597690  | Ball Holder                        | KJ-7029       | 1    |
| 2-10     | MS597655  | Thrust Holding Prop                | KJ-7025       | 2    |
| 2-11     | ZS413234  | Screw, pan head 4x12               |               | 4    |
| 2-12     | ZW603786  | Adjust, Washer (U) D4x13x0.2t      |               | 2    |
| 2-13x    | ZW603797  | Adjust, Washer (U) D4x13x0.5t      |               | 2    |
| 2-14x    | ZW603764  | Adjust, Washer (U) D4x13x1.2t      |               | 2    |
| 2-15x    | ZW603775  | Adjust, Washer (U) D4x13x1.6t      |               | 2    |
| 2-16     | EZ627862  | Coil End Shield Plate              | MY-7001       | 1    |

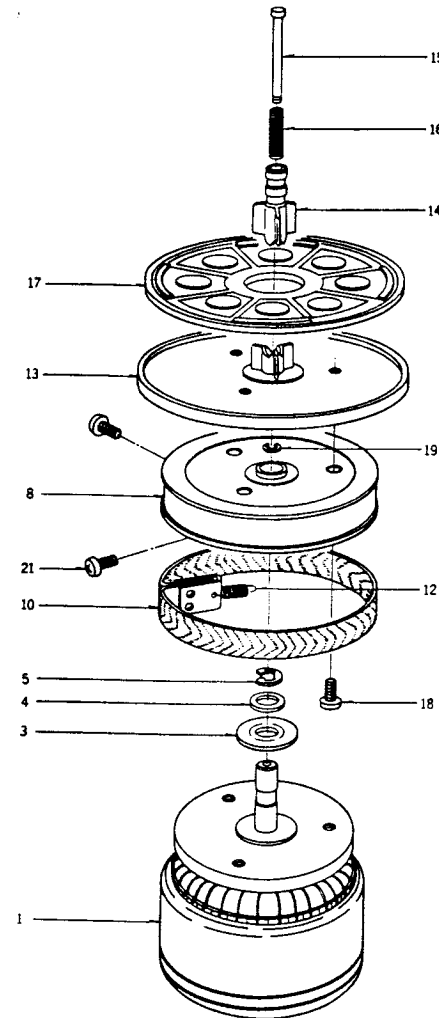
For Service Manuals Contact  
**MAURITRON TECHNICAL SERVICES**  
 8 Cherry Tree Rd, Chinnor  
 Oxon OX9 4QY  
 Tel:- 01844-351694 Fax:- 01844-352554  
 Email:- enquiries@mauritron.co.uk

When ordering parts, please describe Parts Number, Serial Number, and Model Number in detail.

## 2 ILLUSTRATION OF MAIN MOTOR BLOCK



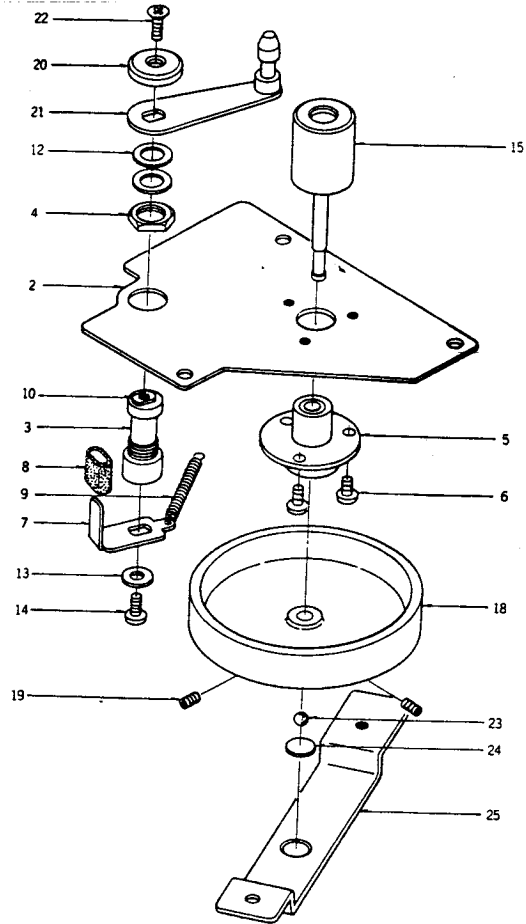
## 3 ILLUSTRATION OF REEL MOTOR/REEL TABLE BLOCK



## 3) REEL MOTOR/REEL TABLE BLOCK

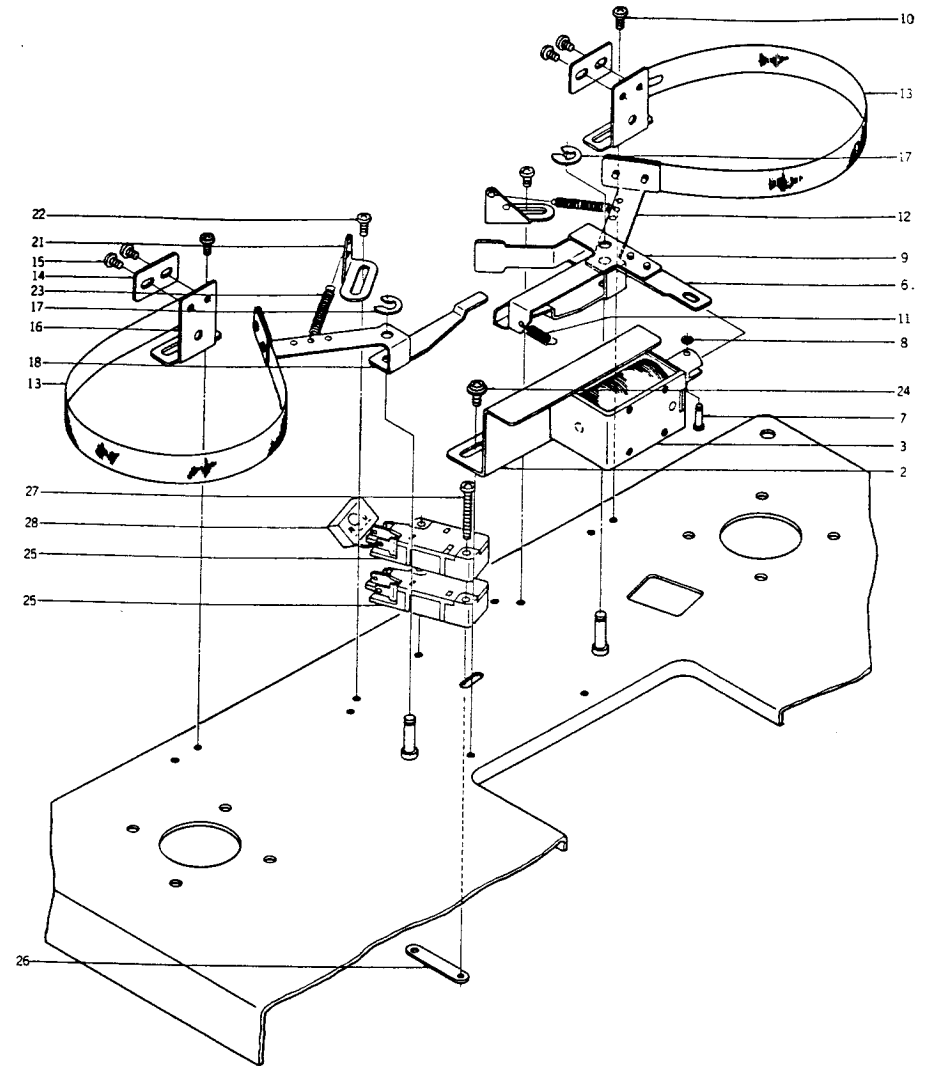
| Ref. No.                | Parts No. | Description                 | Schematic No. | Q'ty |
|-------------------------|-----------|-----------------------------|---------------|------|
| <b>REEL MOTOR BLOCK</b> |           |                             |               |      |
| 3-1                     | BM587518  | Reel Motor Block (24XO-TD)  |               | 1    |
| 3-2x                    | MV408510  | Bearing 608VVMC2ERAV2L      | TD,TE,TY      | 1    |
| 3-3                     | MZ248185  | Bearing Retainer            | 3R-758        | 1    |
| 3-4                     | ZW260278  | Washer (Nylon) D8.1x13x0.5t |               | 1    |
| 3-5                     | ZW270156  | 'E' Ring 6M                 | 6-1-9         | 1    |
| <b>REEL TABLE BLOCK</b> |           |                             |               |      |
| 3-6x                    | BR587542  | Reel Table Block (Left)     | TD,TE         | 1    |
| 3-7x                    | BR587553  | Reel Table Block (Right)    | TD,TE         | 1    |
| 3-8                     | MT577473  | Brake Drum Left B           | MR-216        | 1    |
| 3-9x                    | MZ576538  | Brake Drum Light B          | MR-216        | 1    |
| 3-10                    | MT436860  | Brake Cloth Comp.           | MR-289        | 1    |
| 3-11x                   | MT317485  | U Metal Fitting             | MR-218        | 1    |
| 3-12                    | ZG317496  | Felt Tension Spring         | MR-260        | 1    |
| 3-13                    | MT534666  | Reel Table                  | TW-2031       | 1    |
| 3-14                    | MT534677  | Reel Clamper                | TW-2032       | 1    |
| 3-15                    | MS342000  | Reel Shaft                  | 3R-108        | 1    |
| 3-16                    | ZG540617  | Clamp Spring                | TW-2096       | 1    |
| 3-17                    | MT534688  | Reel Table Rubber           | TW-2033       | 1    |
| 3-18                    | ZS413785  | Screw, binding head 3x12    |               | 3    |
| 3-19                    | ZW270088  | 'E' Ring 1.9M               | 6-1-9         | 1    |
| 3-20x                   | ZW562476  | Earth Lug M3                |               | 1    |
| 3-21                    | ZS435273  | Screw, binding Head 4x10    |               | 2    |

#### 4 ILLUSTRATION OF IMPEDANCE ROLLER BLOCK



For Service Manuals Contact  
**MAURITRON TECHNICAL SERVICES**  
 8 Cherry Tree Rd, Chinnor  
 Oxon OX9 4QY  
 Tel: 01844-351694 Fax: 01844-352554  
 Email: enquiries@mauritron.co.uk

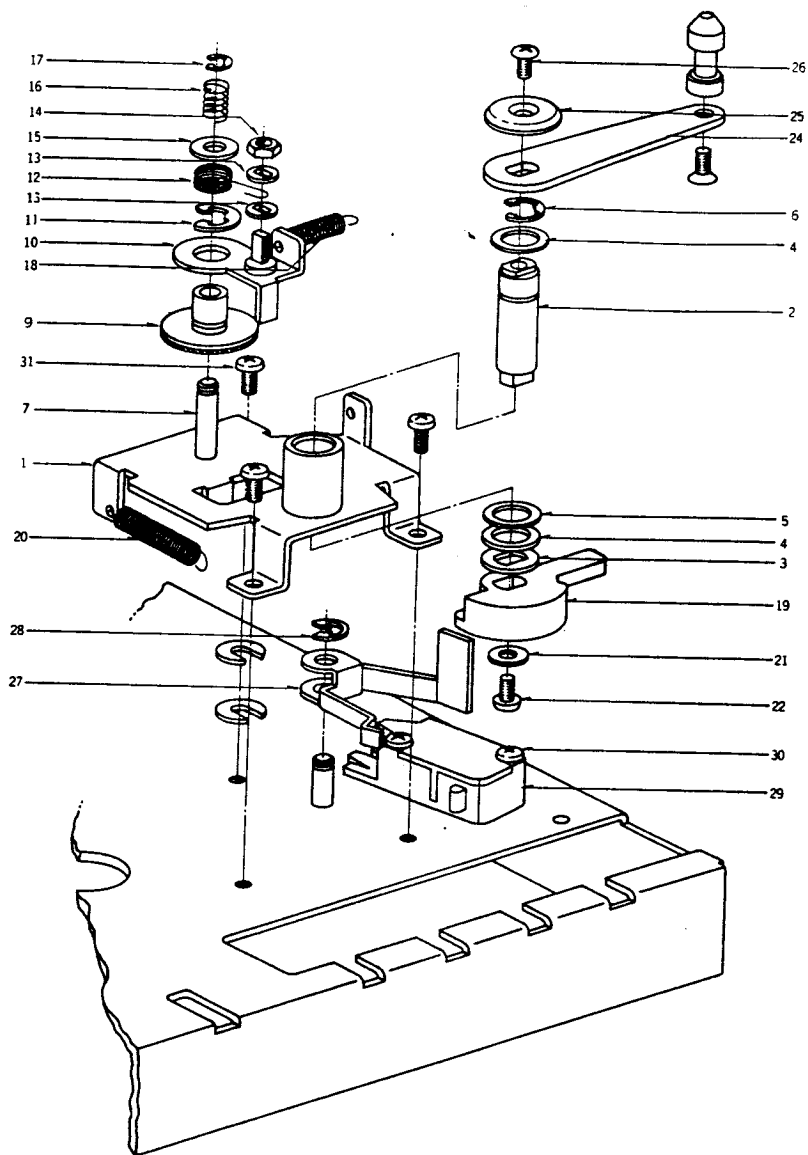
#### 5 ILLUSTRATION OF BRAKE PLUNGER BLOCK



#### 4) IMPEDANCE ROLLER BLOCK

| Ref. No. | Parts No. | Description               | Schematic No. | Q'ty | Ref. No. | Parts No. | Description                                | Schematic No. | Q'ty |
|----------|-----------|---------------------------|---------------|------|----------|-----------|--|---------------|------|
| 4-1x     | B1637931  | Impedance Roller Block    | TE            | 1    | 4-15     | MR597115  | Impedance Roller, w/shaft                  | KJ-2033       | 1    |
|          |           | Comp.                     | TE-2004       | 1    | 4-16x    | MZ597126  | Roller Plate                               | KJ-2035       | 1    |
| 4-2      | MZ643375  | Impedance Plate           | TE-2004       | 1    | 4-17x    | ZW655953  | Washer D4.1x10x1t                          |               | 1    |
| 4-3      | MV643386  | Shaft Metal               | TE-2005       | 1    | 4-18     | MJ597183  | Flywheel                                   | KJ-2041       | 1    |
| 4-4      | ZW603990  | Metal Nut                 | 6-3-9         | 1    | 4-19     | ZS593796  | Set Screw, hexagon socket<br>3x6 (Flat/P.) |               | 2    |
| 4-5      | MZ597093  | Metal Case, w/metal       | KJ-2029       | 1    |          |           |  |               |      |
| 4-6      | ZS499331  | Screw, pan head 2.3x5     |               | 3    |          |           |  |               |      |
| 4-7      | MZ643408  | Stopper                   | TE-2007       | 1    | 4-20     | ZW535094  | Decorative Washer                          | TW-2077       | 1    |
| 4-8      | MB665561  | TE Stopper Rubber         | TE-2039       | 1    | 4-21     | MZ643858  | T Arm, w/Guide                             | TE-2003       | 1    |
| 4-9      | ZG535105  | Tension Arm Spring        | TW-2078       | 1    | 4-22     | ZS411660  | Screw, oval countersunk head<br>3x6        |               | 2    |
| 4-10     | MS643397  | Shaft                     | TE-2006       | 1    | 4-23     | MV269965  | Steel Bail D4                              |               | 1    |
| 4-11x    | ZS481724  | ISO Screw, truss head 3x6 |               | 1    | 4-24     | ZW235585  | Nylon Plate D8                             |               | 1    |
| 4-12     | ZW260010  | Washer (PBP) D6.1x10x0.1t |               | 3    | 4-25     | MZ640664  | Thrust Supporting Plate                    | TE-2002       | 1    |
| 4-13     | ZW556828  | Washer D3.5x10x0.5t       |               | 1    |          |           |  |               |      |
| 4-14     | ZS417216  | Screw, pan head 3x4       |               | 1    |          |           |  |               |      |

## 6 ILLUSTRATION OF TENSION ARM BLOCK



## 5) BRAKE PLUNGER BLOCK

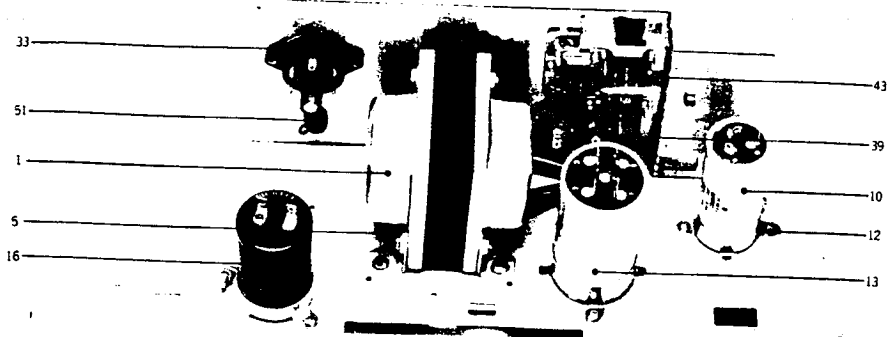
| Ref. No. | Parts No. | Description                             | Schematic No. | Q'ty |
|----------|-----------|---|---------------|------|
| 5-1x     | BZ637986  | Brake Plunger Block Comp.               | TE            | 1    |
| 5-2      | MZ643498  | Plunger Retaining Plate                 | TE-2016       | 1    |
| 5-3      | EP638695  | Plunger Solenoid 1240PHT3               | 44-1-90       | 1    |
| 5-4x     | ED570273  | Silicon Diode LN4004                    | 45-2-59       | 1    |
| 5-5x     | ZS422076  | Screw, pan head 3x5                     |               | 2    |
| 5-6      | ML643476  | Brake Plunger Lever                     | TE-2014       | 1    |
| 5-7      | MH257477  | Connecting Pin                          | RD-211        | 1    |
| 5-8      | ZW270088  | 'E' Ring 1.9M                           | 6-1-9         | 1    |
| 5-9      | ML643387  | Brake Band Lever                        | TE-2015       | 1    |
| 5-10     | ZS323728  | Screw, binding head 3x5                 |               | 6    |
| 5-11     | ZG586427  | Reverse Spring                          | CP-1192       | 1    |
| 5-12     | ML533643  | Brake Lever B                           | TW-1030       | 1    |
| 5-13     | MT314987  | Brake Band                              | MR-213        | 2    |
| 5-14     | MZ314998  | Brake Band Retaining Plate              | MR-212        | 4    |
| 5-15     | ZS417137  | Screw, binding head 3x4                 |               | 8    |
| 5-16     | ML582074  | Brake Band Support                      | TD-1023       | 2    |
| 5-17     | ZW290283  | 'U' Ring 2.85M                          | 6-1-1         | 2    |
| 5-18     | ML582041  | Brake Lever A                           | TD-1019       | 1    |
| 5-19x    | MZ317406  | Brake Band Guide                        | MR-120        | 2    |
| 5-20x    | ZS413166  | Screw, round head 3x6                   |               | 4    |
| 5-21     | MZ314605  | Spring Rack, MR                         | MR-104        | 2    |
| 5-22     | ZS379405  | ISO Screw, binding head 3x6             |               | 4    |
| 5-23     | ZG540090  | Brake Lever Spring                      | TW-1058       | 2    |
| 5-24     | ZS422076  | Screw, pan head 3x5                     |               | 2    |
| 5-25     | ES573456  | Micro SW. K-2                           | 25-1-30       | 2    |
| 5-26     | ZW397146  | Micro SW. Nut                           | KD-1057       | 1    |
| 5-27     | ZS608354  | Screws, pan head 3x30                   |               | 2    |
| 5-28     | ER450786  | Spark Quencher U/L<br>0.1µ+120ohm 400WV | 41-1-33       | 1    |

## 6) TENSION ARM BLOCK

| Ref. No. | Parts No. | Description                        | Schematic No. | Q'ty |
|----------|-----------|------------------------------------|---------------|------|
| 6-1      | ML580443  | Tension Arm Base, w/metal          | TD-2037       | 1    |
| 6-2      | MS645502  | Tension Shaft                      | TD-2041       | 1    |
| 6-3      | ZW580498  | Tension Arm Washer                 | TD-2042       | 1    |
| 6-4      | ZW575763  | Washer (SPC) D8.1x13x0.5t          |               | 2    |
| 6-5      | ZW260256  | Washer (PBP) D8.1x13x0.1t          |               | 2    |
| 6-6      | MH244710  | Flywheel Fixing Pin                | 900-250       | 1    |
| 6-7      | MH580588  | Damper Prop                        | TD-2052       | 1    |
| 6-8x     | TC387617  | Clutch Felt                        | CS-2011       | 1    |
| 6-9      | MZ580577  | Clutch Plate, w/metal A            | TD-2051       | 1    |
| 6-10     | ML580555  | Clutch Lever, w/spring<br>retainer | TD-2048       | 1    |
| 6-11     | ZW270156  | 'E' Ring 6M                        | 6-1-9         | 1    |
| 6-12     | ZG580511  | Clutch Spring                      | TD-2044       | 1    |
| 6-13     | ZW580678  | Spring Retaining Washer            | TD-2067       | 2    |
| 6-14     | ZW273756  | Nut M3                             |               | 2    |
| 6-15     | ZW575774  | Washer D4.5x9.8x0.7t               |               | 1    |
| 6-16     | ZG580533  | Cramp Spring                       | TD-2046       | 1    |
| 6-17     | ZW410051  | 'E' Ring 2.5                       | 6-1-9         | 1    |
| 6-18     | ZG580522  | Clutch Lever Spring                | TD-2045       | 1    |
| 6-19     | MZ580500  | Cam. SW.                           | TD-2043       | 1    |
| 6-20     | ZG659608  | Tension Spring                     | TE-2034       | 1    |
| 6-21     | ZW550642  | Washer (SPC) D3.1x7.9x0.5t         |               | 1    |
| 6-22     | ZS323728  | Screw, binding head 3x5            |               | 1    |
| 6-23x    | MZ810191  | Cushion Rubber, RD                 | RD-278        | 1    |
| 6-24     | ML580465  | Tension Arm, w/guide B             | TD-2039       | 1    |
| 6-25     | ZW535094  | Decorative Washer                  | TW-2077       | 1    |
| 6-26     | ZS200384  | Screw, countersunk head 3x6        |               | 1    |
| 6-27     | MZ580680  | Actuator                           | TD-2068       | 1    |
| 6-28     | ZW290283  | 'U' Ring 2.85M                     | 6-1-1         | 1    |
| 6-29     | ES573456  | Micro SW. K-2                      | 25-1-30       | 2    |
| 6-30     | ZS508354  | Screw, pan head 3x30               |               | 2    |
| 6-31     | ZS413155  | Screw, binding head 3x6            |               | 4    |

For Service Manuals Contact  
**MAURITRON TECHNICAL SERVICES**  
 8 Cherry Tree Rd, Chinnor  
 Oxon OX9 4QY  
 Tel: 01844-351694 Fax: 01844-352554  
 Email: enquiries@mauritron.co.uk

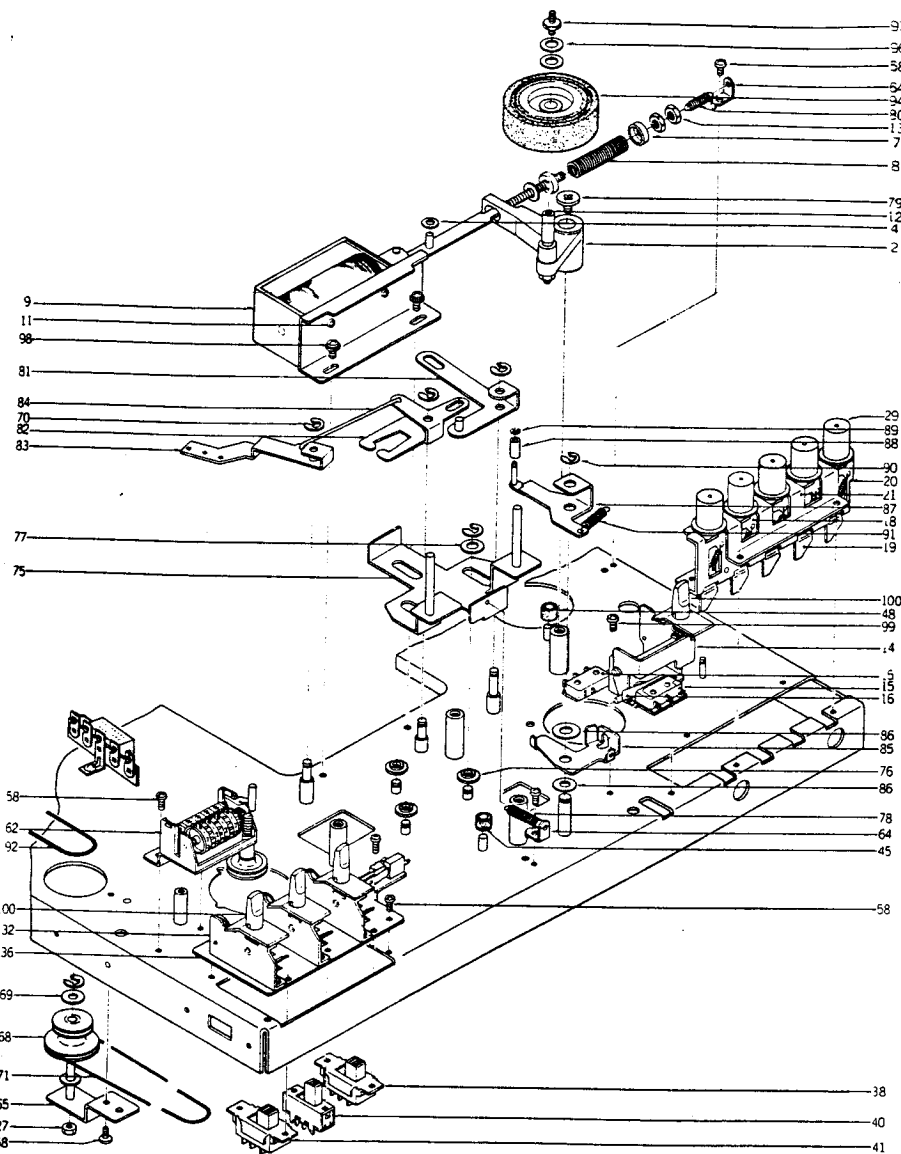
7 PHOTO OF POWER SUPPLY/CONNECTOR PANEL BLOCK



7) POWER SUPPLY/CONNECTOR PANEL BLOCK

| Ref. No.                  | Parts No. | Description                                  | Schematic No.  | Q'ty | Ref. No.                     | Parts No. | Description                                | Schematic No. | Q'ty |
|---------------------------|-----------|--|----------------|------|------------------------------|-----------|--|---------------|------|
| <b>POWER SUPPLY BLOCK</b> |           |  |                |      |                              |           |  |               |      |
| 7-1                       | BT640517  | Power Trans. TET-1                           | 38-4-354       | 1    | 7-26x                        | EJ654221  | Lug Plate KPL4L (CEE,CSA,JPN)              | 33-3-26       | 1    |
| 7-2x                      | BT661858  | Power Trans. TET-5 (CEE)                     | 38-4-389       | 1    | 7-27x                        | ZW273881  | Earth Lug M4 (CEE)                         |               | 1    |
| 7-3x                      | BT661926  | Power Trans. TET-4 (CSA)                     | 38-4-388       | 1    | 7-28x                        | ZS417150  | Screw, pan head 4x6 (CEE)                  |               | 1    |
| 7-4x                      | BT661904  | Power Trans. TET-3 (JPN)                     | 38-4-387       | 1    | 7-29x                        | ZW413188  | Nut M4 (CEE)                               |               | 1    |
| 7-5                       | ZW510827  | Tapping Screw #2 4x6 BR                      |                | 4    | 7-30x                        | ZW273892  | Toothed Lock Washer M4 (CEE)               |               | 1    |
| 7-6x                      | ZS413201  | Screw, pan head 4x8                          |                | 4    | 7-31x                        | MTS53948  | Wire Band B                                | 2-35-3        | 2    |
| 7-7x                      | ZW273892  | Toothed Lock Washer M4 (CEE, CSA, JPN)       |                | 4    | 7-32x                        | EJ510333  | Wire Clip 220-JD481610-0104 (Nylon)        | 2-7-17        | 1    |
| 7-8x                      | ZW413188  | Nut M4 (CEE, CSA, JPN)                       |                | 4    | 7-33                         | EJ233370  | Socket (Volt. Selector) S-18010            | 40-2-3        | 1    |
| 7-9x                      | ZW273914  | Spring Washer M4 (CSA, JPN)                  |                | 4    | 7-34x                        | EZ654208  | Fuse Holder TE (CEE,JPN)                   | 40-1-74       | 1    |
| 7-10                      | EC593763  | MP/C. 3.5+1.5µF 150WV AC (LUG Type Uni/D.)   | 24-9-88        | 1    | 7-35x                        | EZ655198  | Fuse Holder SP Base (CSA)                  | 40-1-71       | 1    |
| 7-11x                     | EC661882  | MP/C. 5µF 150WV AC (Lug Type Uni/D.)         | (CEE) 24-9-111 | 1    | 7-36x                        | MZ583198  | Fuse Angle TD (CEE,CSA,JPN)                | TD-1067       | 2    |
| 7-12                      | ZS325495  | Tapping Screw #2 3x6                         |                | 13   | 7-37x                        | ZS379350  | ISO Screw, pan head 3x6 (CEE,CSA,JPN)      |               | 2    |
| 7-13                      | EC520626  | MP/C. (3+1)µF x 2 250WV AC (Lug Type Uni/D.) | 24-9-74        | 1    | 7-38x                        | EF623114  | Fuse (SEMKO T Type) 200MAT (CI200MAT (CEE) | 39-1-53       | 1    |
| 7-14x                     | EC641136  | MP/C. 4+4 µF 250WV AC (Lug Type Uni/D.)      | (CEE) 24-9-103 | 1    | <b>CONNECTOR PANEL BLOCK</b> |           |  |               |      |
| 7-15x                     | EC536927  | MP/C. 3µF x 2 250WV AC (Lug Type Uni/D.)     | (CSA) 24-9-79  | 1    | 7-39                         | EJ222748  | Socket, Sub Magnale #311SG                 | 31-1-39       | 1    |
| 7-16                      | EC557190  | Elect./C. 470µF 160WV (Lug Type)             | 24-10-88       | 1    | 7-40x                        | MZ302400  | Remote Control Socket Mt. Plate            | RX-515        | 1    |
| 7-17x                     | EF623103  | Fuse IAT (SEMKO T Type) (CEE)                | 39-1-53        | 5    | 7-41x                        | ZS355522  | Screw, pan head 3x6                        |               | 5    |
| 7-18x                     | EF487427  | Fuse ULMF61M 250V 0.2A (CSA)                 | 39-1-45        | 1    | 7-42x                        | ML580612  | F SW. Table A                              | TD-2059       | 1    |
| 7-19x                     | EF511637  | Fuse ULMF61M 250V 1A (CSA)                   | 39-1-45        | 4    | 7-43                         | ES479485  | Slide SW. S-1                              | 25-3-66       | 3    |
| 7-20x                     | EF588420  | Fuse 1A 125V (JPN)                           | 39-1-52        | 5    | 7-44x                        | ZS422076  | Screw, pan head 3x5                        |               | 4    |
| 7-21x                     | EF654210  | Fuse 0.25A 125V (JPN)                        | 39-1-52        | 1    | 7-45x                        | ZS327835  | ISO Screw, countersunk head 3x5            |               | 2    |
| 7-22x                     | EA642701  | Repeater P.C Board (CEE)                     | 33-2-52        | 1    | 7-46x                        | MZ580601  | F SW. Table C                              | TD-2058       | 1    |
| 7-23x                     | EZ614586  | Fuse Table MY (CEE)                          | MY-2043        | 1    | 7-47x                        | EA597251  | Transistor P.C Board                       | KJ-2049       | 1    |
| 7-24x                     | ZS379350  | ISO Screw, pan head 3x6 (CEE)                |                | 2    | 7-48x                        | ET621786  | Transistor T1P-48                          | 45-1-197      | 1    |
| 7-25x                     | EC650968  | Thermister (SINE) PTH62AR 100M (CEE,CSA,JPN) | 45-14-3        | 2    | 7-49x                        | ZS421806  | Screw, pan head 3x8                        |               | 1    |
|                           |           |  |                |      | 7-50x                        | ZW516611  | Nut M3                                     |               | 1    |
|                           |           |  |                |      | 7-51                         | EJ631945  | Strain Relief SR-4N-4                      | 2-7-49        | 1    |
|                           |           |  |                |      | 7-52x                        | EZ246936  | Strain Relief SR-6W-1 (CEE)                | 2-7-8         | 1    |

8 ILLUSTRATION OF MECH ASSEMBLY BLOCK



8) MECH ASSEMBLY BLOCK

| Ref. No.                          | Parts No. | Description                    | Schematic No. | Q'ty |
|-----------------------------------|-----------|--------------------------------|---------------|------|
| <b>PINCH ROLLER PLUNGER BLOCK</b> |           |                                |               |      |
| 8-1x                              | BZ637918  | Pinch Roller Plunger Block     | Comp.         | 1    |
| 8-2                               | ML396933  | Pinch Roller Arm               | KD-1030       | 1    |
| 8-3                               | MZ580781  | Pinch Roller Arm Joint,        |               | 1    |
| 8-4                               | ZW345442  | Washer (Nylon) D4.2x9x1t       | w/pin TD-2079 | 1    |
| 8-5x                              | MH533913  | Connecting Pin                 | TW-2010       | 1    |
| 8-6x                              | ZW270088  | 'E' Ring 1.9M                  | 6-1-9         | 2    |
| 8-7                               | MZ802980  | Spring Holder                  | RD-276        | 2    |
| 8-8                               | ZG428927  | Pinch Roller Clamp Spring B    | KD-1032       | 1    |
| 8-9                               | EP573658  | Plunger Solenoid 1660THT-3     | 44-1-46       | 1    |
| 8-10                              | MZ581275  | PR Plunger Bracket             | TD-1061       | 1    |
| 8-11                              | ZS232728  | Screw, binding head 3x5        |               | 2    |
| 8-12                              | MS82153   | Pinch Roller Shaft             | TD-1033       | 1    |
| 8-13                              | ZW416698  | Nut M4                         |               | 6    |
| <b>PAUSE SWITCH BLOCK</b>         |           |                                |               |      |
| 8-14                              | BS637920  | Pause Switch Block Comp.       | TE            | 1    |
| 8-15                              | ES389700  | Micro SW. SS-5                 | 25-1-19       | 2    |
| 8-16                              | MZ605283  | SW. Actuator                   | CW-1069       | 1    |
| <b>OPERATION BLOCK</b>            |           |                                |               |      |
| 8-17x                             | BZ637953  | Operation Block Comp.          | TE            | 1    |
| 8-18                              | MZ640675  | Operation Bracket              | TE-2023       | 1    |
| 8-19                              | ML630887  | Operation Lever                | MY-2202       | 5    |
| 8-20                              | ZG456120  | Setting Lever Spring           | CS-1187       | 5    |
| 8-21                              | MZ640383  | Operation Holder               | TE-2025       | 1    |
| 8-22x                             | ZS325495  | Tapping Screw #2 3x6           |               | 6    |
| 8-23x                             | EZ640686  | P.C Board Support A            | TE-2024       | 1    |
| 8-24x                             | EZ640372  | P.C Board Support B            | TE-2024       | 1    |
| 8-25x                             | ZS609298  | Screw, flat fillister head 3x6 |               | 5    |
| 8-26x                             | ZW273802  | Toothed Lock Washer M3         |               | 5    |
| 8-27                              | ZW516611  | Nut M3                         |               | 13   |
| 8-28x                             | SB643500  | Button A                       | TE-2017       | 1    |
| 8-29                              | SB643577  | Button B                       | TE-2017       | 2    |
| 8-30x                             | SB640732  | Button C                       | TE-2017       | 1    |
| 8-31x                             | SB640743  | Button D                       | TE-2017       | 1    |
| <b>LEVER SWITCH BLOCK</b>         |           |                                |               |      |
| 8-32                              | BS637997  | Lever Switch Block Comp.       | TE            | 1    |
| 8-33x                             | BS660227  | Lever Switch Block Comp. (CEE) | TE            | 1    |
| 8-34x                             | BS660238  | Lever Switch Block Comp. (CSA) | TE            | 1    |
| 8-35x                             | BS660240  | Lever Switch Block Comp. (JPN) | TE            | 1    |
| 8-36                              | MZ643522  | SW. Plate                      | TE-2019       | 1    |
| 8-37                              | ES563387  | Leaf SW. BSW-1A                | 25-10-19      | 1    |
| 8-38                              | ES479496  | Slide SW. S-2                  | 25-3-47       | 1    |
| 8-39x                             | ES661860  | Slide SW. JE1 (CEE)            | 25-3-43       | 1    |
| 8-40                              | ES422436  | Slide SW. SL-222B4C            | 25-3-40       | 1    |
| 8-41                              | ES479485  | Slide SW. S-1                  | 25-3-46       | 1    |
| 8-42x                             | ES642677  | Slide SW. JE08 (CEE)           | 25-3-116      | 1    |
| 8-43x                             | ES641068  | Slide SW. JE06 (CSA, JPN)      | 25-3-114      | 1    |
| <b>MECH. ASSEMBLY BLOCK</b>       |           |                                |               |      |
| 8-44x                             | ML581883  | Shifter Stopper                | TD-1002       | 2    |
| 8-45                              | MZ810191  | Cushion Rubber. RD             | RD-278        | 1    |
| 8-46x                             | MH581894  | Head Base Prop                 | TD-1003       | 3    |
| 8-47x                             | ZS413201  | Screw, pan head 4x8            |               | 3    |
| 8-48                              | MB606712  | Stopper Rubber KJ              | KJ-2060       | 1    |
| 8-49x                             | MH581940  | Shifter Lever Post A           | TD-1008       | 1    |
| 8-50x                             | MH581927  | Shifter Guide Post             | TD-1006       | 3    |
| 8-51x                             | MH581951  | Spring Lever Post              | TD-1010       | 1    |
| 8-52x                             | MH581962  | Shifter Lever Post B           | TD-1011       | 1    |
| 8-53x                             | MH581973  | Brake Lever Post A             | TD-1012       | 1    |
| 8-54x                             | MH581984  | Brake Lever Post B             | TD-1013       | 1    |
| 8-55x                             | MH580691  | Actuator Prop                  | TE-2069       | 1    |
| 8-56x                             | MH640350  | Shifter Lock Arm Prop          | TE-1003       | 1    |
| 8-57x                             | MH642565  | Prop                           | TE-1002       | 3    |
| 8-58                              | ZS379350  | ISO Screw, pan head 3x6        |               | 11   |
| 8-59x                             | MS397001  | Pinch Roller Arm Shaft         | KD-1002       | 1    |
| 8-60x                             | ZW664841  | Washer D8.1x13x0.3t            |               | 1    |

| Ref. No. | Parts No. | Description                 | Schematic No. | Q'ty |
|----------|-----------|-----------------------------|---------------|------|
| 8-61x    | ZW413278  | Nut M5                      |               | 1    |
| 8-62     | MC638684  | Counter MP490-23            | 9-1-43        | 1    |
| 8-63x    | MZ643443  | Counter Base                | TE-2011       | 1    |
| 8-64     | MZ582030  | Spring Hanger               | TD-1018       | 2    |
| 8-65     | ML580127  | Middle Pulley Base          | TD-1050       | 1    |
| 8-66x    | MS580116  | Middle Pulley Shaft         | TD-1049       | 1    |
| 8-67     | ZW259773  | Washer (Nylon) D4.1x7x0.5t  |               | 1    |
| 8-68     | MR580105  | Middle Pulley, w/metal      | TD-1048       | 1    |
| 8-69     | ZW259738  | Washer (Polyslider)         |               | 1    |
| 8-70     | ZW290283  | 'U' Ring 2.85M              | 6-1-1         | 7    |
| 8-71     | MB580138  | Counter Belt D73x1.5        | TD-1051       | 1    |
| 8-72x    | ES250064  | Micro SW. V-1A44 U/L        | 25-1-7        | 1    |
| 8-73x    | MZ402377  | Micro insulator D           | KD-2050       | 1    |
| 8-74x    | ZS483502  | Screw, pan head 3x13        |               | 2    |
| 8-75     | MZ636985  | Shifter Plate, w/pin B      | TD-1028       | 1    |
| 8-76     | ZW580173  | Guide Washer                | TD-1055       | 3    |
| 8-77     | ZW420682  | Washer (Nylon) D4.2x9x0.5t  |               | 3    |
| 8-78     | ZG582131  | Shifter Spring              | TD-1030       | 1    |
| 8-79     | ZS243516  | Screw, pinch roller         | XR-140        | 1    |
| 8-80     | ZG580770  | Pinch Roller Spring         | TD-2078       | 1    |
| 8-81     | ML646198  | Shifter Lever, w/pin        | TE-1006       | 1    |
| 8-82     | ML582096  | Shifter Lever B             | TD-1025       | 1    |
| 8-83     | ML643847  | Spring Lever                | TE-1005       | 1    |
| 8-84     | MZ582120  | Connecting Bar              | TD-1029       | 1    |
| 8-85     | MZ643454  | Shifter Lock Arm A          | TE-2012       | 1    |
| 8-86     | ZW403200  | Washer (SPC) D6.2x13x1t     |               | 1    |
| 8-87     | MZ643465  | Shifter Lock Arm B, w/prop  | TE-2013       | 1    |
| 8-88     | MZ580061  | Shifter Rock Collar         | TD-1044       | 1    |
| 8-89     | ZW270088  | 'E' Ring 1.9M               | 6-1-9         | 1    |
| 8-90     | ZW270123  | 'E' Ring 4M                 | 6-1-9         | 1    |
| 8-91     | ZG315011  | Brake Lever Spring          | MR-116        | 1    |
| 8-92     | MB527556  | Counter Belt D93x1.5        | ND-1022       | 1    |
| 8-93x    | ZG540090  | Brake Lever Spring          | TW-1058       | 2    |
| 8-94     | MP582164  | Pinch Roller D=42           | TD-1034       | 1    |
| 8-95     | ZW430402  | Washer (Nylon) D6.2x10x0.5t |               | 1    |
| 8-96     | ZW648685  | Washer D6.2x10x0.1t         |               | 2    |
| 8-97     | ZS533766  | Pinch Roller Screw          | TW-1042       | 1    |
| 8-98     | ZS422076  | Screw, pan head 3x5         |               | 2    |
| 8-99     | ZS417216  | Screw, pan head 3x4         |               | 2    |
| 8-100    | SK638976  | Knob 1-C                    | CP-5018       | 4    |

For Service Manuals Contact  
**MAURITRON TECHNICAL SERVICES**  
 8 Cherry Tree Rd, Chinnor  
 Oxon OX9 4QY  
 Tel: 01844-351694 Fax: 01844-352554  
 Email: enquiries@mauratron.co.uk

9) P.B P.C BOARD (MY-5017) BLOCK

| Symbol No.                      | Parts No. | Description                            | Q'ty |
|---------------------------------|-----------|--|------|
| 9-1                             | BA622732  | P.B P.C Board Comp. (MY-5017)          | 1    |
| 9-TR1 to4                       | ET234854  | Transistor 2SC458LG(C)                 | 8    |
| 9-TR5,6                         | ET639437  | Transistor 2SC945L(Q)(P)               | 4    |
| 9-D1                            | ED570475  | Zener Diode WZ-075                     | 2    |
| 9-D2                            | ED219464  | Germanium Diode 1N34A                  | 2    |
| 9-L1                            | EO496361  | Inductor 6070GE 23MH(J)                | 2    |
| 9-T1                            | BT517274  | Headphone Trans. N16-53S               | 2    |
| 9-VR1                           | EV464220  | Semi-fixed/Vol. V8K4-1 50 kΩ           | 2    |
| 9-VR2                           | EV622056  | Co-axial 2-throw Vol. V24LSGPHN B10kx2 | 1    |
| 9-VR3                           | EV464196  | Semi-fixed/Vol. V8K4-1 2 kΩ            | 2    |
| <b>Capacitor, Vertical Type</b> |           |  |      |
| 9-C1                            | EC220678  | Elect. 47μF 25WV                       | 2    |
| 9-C2                            | EC432810  | Elect. 10μF 16WV NL                    | 2    |
| 9-C3                            | EC290520  | VFM 100PF(J) 50WV                      | 2    |
| 9-C4                            | EC467133  | VFM 68PF(J) 50WV                       | 2    |
| 9-C5                            | EC290520  | VFM 100PF(J) 50WV                      | 2    |
| 9-C6                            | EC329771  | Elect. 47μF 6.3WV                      | 2    |
| 9-C7                            | EC320051  | Elect. 10μF 16WV                       | 2    |
| 9-C8                            | EC389485  | Mylar 0.018μF(J) 50WV                  | 2    |
| 9-C9,10                         | EC250683  | Mylar 0.0022μF(J) 50WV                 | 4    |
| 9-C11                           | EC220678  | Elect. 47μF 25WV                       | 2    |
| 9-C12                           | EC329850  | VFM 220PF(J) 50WV                      | 2    |
| 9-C13                           | EC432810  | Elect. 10μF 16WV NL                    | 2    |
| 9-C14                           | EC329771  | Elect. 47μF 6.3WV                      | 2    |
| 9-C15                           | EC399565  | FM 22PF(J) 50WV                        | 2    |
| 9-C16                           | EC290520  | VFM 100PF(J) 50WV                      | 2    |
| 9-C17                           | EC320051  | Elect. 10μF 16WV                       | 2    |
| 9-C18                           | EC220364  | Elect. 100μF 6.3WV                     | 2    |
| 9-C19                           | EC450055  | Elect. 1μF 25WV                        | 2    |
| 9-C20                           | EC320051  | Elect. 10μF 16WV                       | 2    |
| 9-C21                           | EC450527  | Elect. 4.7μF 25WV                      | 2    |
| 9-C22                           | EC329771  | Elect. 47μF 6.3WV                      | 2    |
| <b>Carbon Resistor Omitted</b>  |           |  |      |

10) REC, OSC P.C BOARD(MY-5016)BLOCK

| Symbol No.                      | Parts No. | Description                              | Q'ty |
|---------------------------------|-----------|--|------|
| 10-1                            | BA647684  | Rec., Osc. P.C Board Comp. (MY-5016)     | 1    |
| 10-2                            | BA647842  | Rec., Osc. P.C Board Comp. (MY-5016)(DB) | 1    |
| 10-TR1,2                        | ET234854  | Transistor 2SC458LG(C)                   | 4    |
| 10-TR3,4                        | ET234854  | Transistor 2SC458LG(C)                   | 4    |
| 10-TR5,6,7                      | ET639437  | Transistor 2SC945L(Q)(P)                 | 4    |
| 10-L1                           | EO321254  | Ferri Inductor FL7H 5.6MH(J)             | 2    |
| 10-L2                           | EO383365  | OSC. Coil OT-204                         | 1    |
| 10-VR1                          | EV622078  | Double Vol. V24LSDPHN A50kx2             | 2    |
| 10-VR2                          | EV520806  | Semi-fixed/Vol. V8K4-1 10 kΩ             | 2    |
| 10-R39                          | ER515070  | Metal Oxide Film/R. 2W 150 ohm(K)        | 1    |
| 10-R40                          | ER426892  | Solid/R. RC1/2 2.4k(J)                   | 1    |
| <b>Capacitor, Vertical Type</b> |           |  |      |
| 10-C1                           | EC290520  | VFM 100PF(J) 50WV                        | 2    |
| 10-C2                           | EC220678  | Elect. 47μF 25WV                         | 2    |
| 10-C3                           | EC432810  | Elect. 10μF 16WV NL                      | 2    |
| 10-C4                           | EC290520  | VFM 100PF(J) 50WV                        | 2    |
| 10-C5                           | EC220364  | Elect. 100μF 6.3WV                       | 2    |
| 10-C6,7                         | EC399565  | FM 22PF(J) 50WV                          | 4    |
| 10-C8                           | EC320051  | Elect. 10μF 16WV                         | 2    |
| 10-C9                           | EC329771  | Elect. 47μF 6.3WV                        | 2    |
| 10-C10                          | EC377212  | VFM 47PF(J) 50WV                         | 2    |
| 10-C11                          | EC320051  | Elect. 10μF 16WV                         | 2    |
| 10-C12                          | EC220678  | Elect. 47μF 25WV                         | 2    |
| 10-C13                          | EC329771  | Elect. 47μF 6.3WV                        | 2    |
| 10-C14                          | EC399565  | FM 22PF(J) 50WV                          | 2    |
| 10-C15                          | EC290520  | VFM 100PF(J) 50WV                        | 2    |

| Symbol No. | Parts No. | Description            | Q'ty |
|------------|-----------|------------------------|------|
| 10-C16     | EC438041  | Mylar 0.082μF(J) 50WV  | 2    |
| 10-C17     | EC320051  | Elect. 10μF 16WV       | 2    |
| 10-C18     | EC329771  | Elect. 47μF 6.3WV      | 2    |
| 10-C19     | EC368357  | Mylar 0.056μF(J) 50WV  | 2    |
| 10-C20     | EC220151  | Elect. 100μF 25WV      | 2    |
| 10-C21     | EC320051  | Elect. 10μF 16WV       | 2    |
| 10-C22     | EC220994  | Elect. 10μF 25WV       | 2    |
| 10-C23     | EC405898  | Styrol 470PF(J) 50WV   | 2    |
| 10-C24     | EC250841  | Mylor 0.01μF(J) 50WV   | 2    |
| 10-C25     | EC558202  | Trimmer TM-80A 80PF    | 2    |
| 10-C26     | EC558235  | Styrol 1800PF(J) 250WV | 1    |
| 10-C27,28  | EC250975  | Mylar 0.015μF(J) 50WV  | 2    |
| 10-C29     | EC220612  | Elect. 33μF 25WV       | 1    |

11) DOLBY P.C BOARD (TD-5301) BLOCK

| Symbol No.                      | Parts No. | Description                     | Q'ty |
|---------------------------------|-----------|---------------------------------|------|
| 11-1                            | BA588003  | Dolby P.C Board Comp. (TD-5301) | 1    |
| 11-TR1                          | ET234854  | Transistor 2SC458LG(C)          | 2    |
| 11-TR2                          | ET329218  | Transistor 2SC458(C)            | 2    |
| 11-TR3                          | ET352146  | Transistor 2SC458LG(D)          | 2    |
| 11-TR4                          | ET329218  | Transistor 2SC458(C)            | 2    |
| 11-TR5                          | ET491051  | FET 2SK30A(GR)                  | 2    |
| 11-TR6                          | ET234854  | Transistor 2SC458LG(C)          | 2    |
| 11-TR7                          | ET350335  | Transistor 2SA564(Q)            | 2    |
| 11-TR8                          | ET329218  | Transistor 2SC458(C)            | 2    |
| 11-D1                           | ED219464  | Germanium Diode 1N34A           | 2    |
| 11-D2                           | ED491130  | Zener Diode WZ-083              | 2    |
| 11-D3,4                         | ED560913  | Silicon Diode 1S2473 VE         | 4    |
| 11-D5                           | ED219464  | Germanium Diode 1N34A           | 2    |
| 11-D6                           | ED560913  | Silicon Diode 1S2473 VE         | 2    |
| 11-VR1                          | EV478686  | Semi-fixed/Vol. V8K4-1 1 kΩ     | 2    |
| 11-BR2                          | EV464207  | Semi-fixed/Vol. V8K4-1 5 kΩ     | 2    |
| 11-L1                           | EO496350  | Inductor 146LY 36 MH(J)         | 2    |
| 11-2                            | EJ363126  | P.C Board Terminal              | 2    |
| <b>Capacitor, Vertical Type</b> |           |                                 |      |
| 11-C1                           | EC320051  | Elect. 10μF 16WV                | 2    |
| 11-C2                           | EC350875  | Mylar 0.001μF(J) 50WV           | 2    |
| 11-C3                           | EC336194  | VFM 270PF(J) 50WV               | 2    |
| 11-C4,5                         | EC320051  | Elect. 10μF 16WV                | 4    |
| 11-C6                           | EC320051  | Elect. 10μF 16WV                | 2    |
| 11-C7                           | EC313121  | Elect. 220μF 25WV               | 2    |
| 11-C8                           | EC329883  | Mylar 0.0056μF(J) 50WV          | 2</  |

### 12) SRT P.C BOARD (TD-5201) BLOCK

| Symbol No.                      | Parts No. | Description                       | Q'ty |
|---------------------------------|-----------|-----------------------------------|------|
| 12-1                            | BA647796  | SRT P.C Board Comp. (TD-5201)     | 1    |
| 12-2                            | BA647763  | SRT P.C Board Comp. (TD-5201)(DB) | 1    |
| 12-SW1                          | ES550001  | Push SW. 1FS-6U-49                | 1    |
| 12-L1                           | EO369178  | Ferri Inductor FL7H 1.5 MH(J)     | 2    |
| 12-VR1,2                        | EV520806  | Semi-fixed/Vol. V8K4-1 10 kB (DB) | 4    |
| <b>Capacitor, Vertical Type</b> |           |                                   |      |
| 12-C1                           | EC329861  | Mylar 0.027µF(J) 50WV             | 2    |
| 12-C2                           | EC379214  | Mylar 0.047µF(J) 50WV             | 2    |
| 12-C3                           | EC368335  | Mylar 0.022µF(J) 50WV             | 2    |
| 12-C4                           | EC379214  | Mylar 0.047µF(J) 50WV             | 2    |
| 12-C5                           | EC379192  | Mylar 0.039µF(J) 50WV             | 2    |

Carbon Resistor Omitted

### 13) SYS. CON P.C BOARD (TE-2001) BLOCK

| Symbol No.                      | Parts No. | Description                         | Q'ty |
|---------------------------------|-----------|-------------------------------------|------|
| 13-1                            | BA637964  | Sys. Con. P.C Board Comp. (TE-2001) | 1    |
| 13-TR1                          | ET639437  | Transistor 2SC945L(Q)(P)            | 1    |
| 13-TR2,3                        | ET511920  | Transistor 2SC1247A(B)(V)           | 2    |
| 13-TR4to6                       | ET639437  | Transistor 2SC945L(Q)(P)            | 3    |
| 13-TR7                          | ET399881  | Transistor 2SC711(F)                | 1    |
| 13-TR8to11                      | ET639437  | Transistor 2SC945L(Q)(P)            | 4    |
| 13-D1to3                        | ED560913  | Silicon Diode 1S2473 VE             | 3    |
| 13-D4                           | ED494583  | Silicon Diode 10D05                 | 1    |
| 13-D5to10                       | ED560913  | Silicon Diode 1S2473 VE             | 6    |
| 13-D11                          | ED498150  | Zener Diode WZ-192                  | 1    |
| 13-D12,13                       | ED560913  | Silicon Diode 1S2473 VE             | 2    |
| 13-D14to29                      | ED624903  | Silicon Diode 1S2473                | 16   |
| <b>Capacitor, Vertical Type</b> |           |                                     |      |
| 13-C1                           | EC459405  | Mylar 0.039µF(K) 50WV               | 1    |
| 13-C2                           | EC350684  | Elect. 22µF 25WV                    | 1    |
| 13-C3                           | EC362158  | Mylar 0.0047µF(K) 50WV              | 1    |
| 13-C4                           | EC350684  | Elect. 22µF 25WV                    | 1    |
| 13-C5                           | EC220612  | Elect. 33µF 25WV                    | 1    |
| 13-C6                           | EC350684  | Elect. 22µF 25WV                    | 1    |
| 13-C7                           | EC251087  | Mylar 0.022µF(K) 50WV               | 1    |
| 13-C8                           | EC368256  | Elect. 0.47µF 25WV                  | 1    |

Carbon Resistor Omitted

### 14) SERVO P.C BOARD (MY-2036) BLOCK

| Symbol No. | Parts No. | Description                     | Q'ty |
|------------|-----------|---------------------------------|------|
| 14-1       | BA657167  | Servo P.C Board Comp. (MY-2036) | 1    |
| 14-TR1,2   | ET639437  | Transistor 2SC945(P)(Q)         | 2    |
| 14-TR3,4   | ET399846  | Transistor 2SC945(Q)            | 2    |
| 14-TR5     | ET538154  | Transistor 2SA564(Q)(R)         | 1    |
| 14-TR6     | ET399846  | Transistor 2SC945(Q)            | 1    |
| 14-TR7     | ET623867  | Transistor 2SD361(D1)(D2)       | 1    |
| 14-TR8     | ET639437  | Transistor 2SC945(P)(Q)         | 1    |
| 14-D1      | ED557447  | Silicon Diode 1S1588            | 1    |
| 14-D2to5   | ED224548  | Silicon Diode 10D2              | 4    |
| 14-TH1     | ED593357  | Thermister 34D21                | 1    |
| 14-VR1     | EV621955  | Semi-fixed/Vol. V10K8-1-5 B10K  | 1    |
| 14-VR2     | EV621966  | Semi-fixed/Vol. V10K8-1-5 B30K  | 1    |
| 14-2       | ZS421806  | Screw, pan head 3x8             | 1    |
| 14-3       | ZW273756  | Nut M3                          | 1    |
| 14-4       | EZ615047  | Heat-sink Plate A               | 1    |
| 14-5       | ZS422076  | Screw, pan head 3x5             | 6    |

| Symbol No.                      | Parts No. | Description                               | Q'ty |
|---------------------------------|-----------|---|------|
| 14-6                            | EZ615060  | P.C Board Holder B                        | 1    |
| 14-7                            | EZ615071  | P.C Board Holder C                        | 1    |
| 14-R20                          | ER593346  | Cement/R. 2W 330 ohm(K) (Wire-wound Type) | 1    |
| <b>Capacitor, Vertical Type</b> |           |   |      |
| 14-C1                           | EC251291  | Mylar 0.1µF(K) 50WV                       | 1    |
| 14-C2                           | EC251122  | Mylar 0.027µF(K) 50WV                     | 1    |
| 14-C3                           | EC250582  | Mylar 0.0033µF(K) 50WV                    | 1    |
| 14-C4                           | EC331828  | Elect. 3.3µF 25WV                         | 1    |
| 14-C5                           | EC251122  | Mylar 0.027µF(K) 50WV                     | 1    |
| 14-C6                           | EC250582  | Mylar 0.0033µF(K) 50WV                    | 1    |
| 14-C7                           | EC311793  | Mylar 0.012µF(J) 50WV                     | 1    |
| 14-C8                           | EC557166  | Solid Aluminum 3.3µF 25WV                 | 1    |
| 14-C9                           | EC450055  | Elect. 1µF 25WV                           | 1    |
| 14-C10                          | EC320051  | Elect. 10µF 16WV                          | 1    |
| 14-C11                          | EC220151  | Elect. 100µF 25WV                         | 1    |
| 14-C12                          | EC250885  | Mylar 0.01µF(K) 50WV                      | 1    |
| 14-C13                          | EC346735  | Elect. 47µF 50WV                          | 1    |

Carbon Resistor Omitted

### 15) RELAY P.C BOARD (TE-2002) BLOCK

| Symbol No.                      | Parts No. | Description                                    | Q'ty |
|---------------------------------|-----------|--|------|
| 15-1                            | BA638021  | Relay P.C Board Comp. (TE-2002)                | 1    |
| 15-TR1                          | ET537300  | Transistor 2SD361(D)(E)                        | 1    |
| 15-TR2                          | ET511920  | Transistor 2SC1247A(B)(V)                      | 1    |
| 15-TR3                          | ET639437  | Transistor 2SC945L(Q)(P)                       | 1    |
| 15-TR4                          | ET517353  | Transistor 2SC711(E)(G)                        | 1    |
| 15-D1to5                        | ED570273  | Silicon Diode 1N4004                           | 5    |
| 15-D6to9                        | ED511097  | Silicon Diode 1N4001                           | 4    |
| 15-D10                          | ED357794  | Zener Diode RD-5A(M)                           | 1    |
| 15-D11,12                       | ED560913  | Silicon Diode 1S2473 VE                        | 2    |
| 15-D13to16                      | ED624903  | Silicon Diode 1S2473                           | 4    |
| 15-D17,18                       | ED560913  | Silicon Diode 1S2473 VE                        | 2    |
| 15-CR1to10                      | ER450786  | Spark Quencher U/L 0.1µ-120 ohm 400WV          | 10   |
| 15-VR1                          | EV498071  | Semi-fixed/Vol. V10K8-1-5 1 kB                 | 1    |
| 15-RL1                          | EP616500  | Relay LC1-CJT DC24V                            | 1    |
| 15-RL2                          | EP638763  | Relay MY4-0-US DC24V                           | 1    |
| 15-RL3                          | EP616500  | Relay LC1-CJT DC24V                            | 1    |
| 15-RL4                          | EP638763  | Relay MY4-0-US DC24V                           | 1    |
| 15-2                            | EZ640462  | Relay P.C Board Retaining Part B               | 1    |
| 15-3                            | ZS325495  | Tapping Screw #2 3x6                           | 6    |
| 15-4                            | EZ640642  | Relay P.C Board Retaining Part B               | 1    |
| 15-5                            | ZS421806  | Screw, pan head 3x8                            | 1    |
| 15-6                            | ZW516993  | Nut M3   | 1    |
| 15-R1                           | ER535948  | Cement/R. 5W 10 ohm(K) (Wire-wound Type)       | 1    |
| 15-R3                           | ER563354  | Cement/R. 15W 430 ohm(K) (Metal OX. Film Type) | 1    |
| 15-R4                           | ER641261  | Cement/R. 20W 43 ohm(K) (Wire-wound Type)      | 1    |
| 15-R5                           | ER573524  | Cement/R. 10W 150 ohm(K) (Wire-wound Type)     | 1    |
| 15-R20                          | ER372082  | Cement/R. 2W 100 ohm(K) (Wire-wound Type)      | 1    |
| <b>Capacitor, Vertical Type</b> |           |  |      |
| 15-C1,2                         | EC350987  | MP/C. 0.47µF(M) 250V DC (Tub. Type)            | 2    |
| 15-C3                           | EC565345  | Elect. 1000µF 50WV                             | 1    |
| 15-C4                           | EC372148  | Elect. 220µF 35WV                              | 1    |
| 15-C5                           | EC250918  | Mylar 0.01µF(M) 50WV                           | 1    |
| 15-C6                           | EC313121  | Elect. 220µF 25WV                              | 1    |
| 15-C7                           | EC331705  | Elect. 22µF 16WV                               | 1    |
| 15-C8,9                         | EC220678  | Elect. 47µF 25WV                               | 2    |
| 15-C10                          | EC646031  | Elect. 4.7µF 160WV (Tub. Type)                 | 1    |

Carbon Resistor Omitted

### 16) REC MODE P.C BOARD (TE-5003) BLOCK

| Symbol No. | Parts No. | Description                         | Q'ty |
|------------|-----------|-------------------------------------|------|
| 16-1       | BZ647831  | Rec. Mode P.C Board Comp. (TE-5003) | 1    |
| 16-D1      | ED624903  | Silicon Diode 1S2473                | 1    |
| 16-SW3     | ES640541  | Push SW. 2FT-0014FF1320             | 1    |
| 16-RL1     | EP383321  | Relay TECK-36 DC22V 1000 ohm I      | 1    |
| 16L1,2     | EO390622  | Ferri Inductor FL9H 220µH(K)        | 2    |
| 16-2       | EZ640451  | SW. Shield                          | 1    |
| 16-3       | ZS379350  | ISO Screw, pan head 3x6             | 1    |
| 16-4       | ZW516611  | Nut M3                              | 1    |
| 16-5       | ZW273802  | Toothed Lock Washer M3              | 1    |

### 17) SPEED SWITCH P.C BOARD (TE-5001) BLOCK

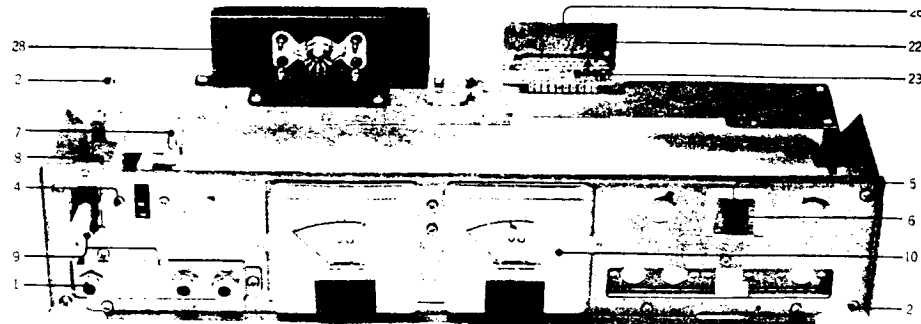
| Symbol No. | Parts No. | Description                            | Q'ty |
|------------|-----------|--|------|
| 17-1       | BA647717  | Speed Switch P.C Board Comp. (TE-5001) | 1    |
| 17-SW2     | ES640552  | Slide SW. SSA06207                     | 1    |
| 17-L1      | EO379923  | Ferri Inductor FL7H 8.2 MH(J)          | 2    |
| 17-2       | MZ640618  | Equalizer Bracket                      | 1    |
| 17-3       | ZS432843  | Screw, pan head 2.6x4                  | 2    |
| 17-C1      | EC250841  | Mylar/C. 0.01µF(J) 50WV (Vert. Type)   | 2    |

Carbon Resistor Omitted

For Service Manuals Contact  
**MAURITRON TECHNICAL SERVICES**  
 8 Cherry Tree Rd, Chinnor  
 Oxon OX9 4QY  
 Tel: 01844-351694 Fax: 01844-352554  
 Email: enquiries@mauratron.co.uk



18 PHOTO OF AMP ASSEMBLY BLOCK

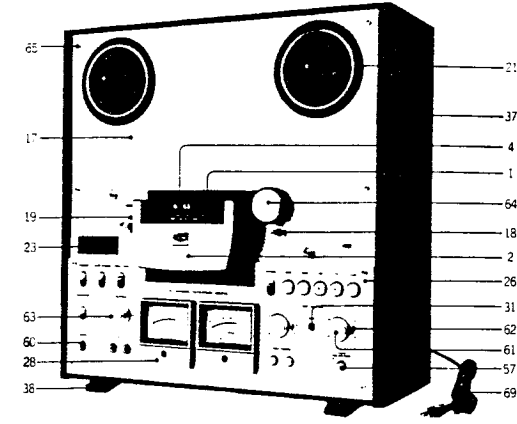


For Service Manuals Contact  
**MAURITRON TECHNICAL SERVICES**  
 8 Cherry Tree Rd, Chinnor  
 Oxon OX9 4QY  
 Tel: 01844-351694 Fax: 01844-352554  
 Email: enquiries@mauritron.co.uk

18) AMP ASSEMBLY BLOCK

| Ref. No.                   | Parts No. | Description                         | Schematic No. | Q'ty |
|----------------------------|-----------|-------------------------------------|---------------|------|
| <b>FRONT CHASSIS BLOCK</b> |           |                                     |               |      |
| 18-1                       | EJ655830  | 3-throw Jack C                      | 31-2-69       | 1    |
| 18-2                       | ZS325495  | Tapping Screw #2 3x6                |               | 12   |
| 18-3x                      | MZ640405  | SW. Retaining Plate                 | TE-5007       | 1    |
| 18-4                       | ZS422076  | Screw, pan head 3x5                 |               | 2    |
| 18-5                       | EZ586326  | Lamp Holder                         | LF-5324       | 1    |
| 18-6                       | EL639472  | Lamp 24V 35MA(190M/Mx2)             |               | 1    |
|                            |           | (Read Type)                         | 28-2-24       | 1    |
| 18-7                       | MZ640945  | Connecting Plate B                  | TE-5009       | 1    |
| 18-8                       | ES641283  | Lever SW. S-J6399                   | 25-12-21      | 1    |
| 18-9                       | ZS379350  | ISO Screw, pan head 3x6             |               | 4    |
| 18-10                      | EM573748  | VU Meter KL-280B-28 (Yellow)        | 46-1-86       | 2    |
| 18-11x                     | MZ659632  | Meter Mask                          | TE-5027       | 2    |
| 18-12x                     | ZG290878  | VU Meter Spring                     | DX-504        | 4    |
| 18-13x                     | ZWS16611  | Nut M3                              |               | 4    |
| 18-14x                     | EZ640620  | P.C Board Holder                    | TE-5011       | 1    |
| 18-15x                     | ES573671  | Push SW. 1FST-6U-122-3 (DB)         | 25-5-119      | 1    |
| 18-16x                     | ZS422076  | Screw, pan head 3x5 (DB)            |               | 2    |
| 18-17x                     | EA640438  | Dolby Lamp P.C Board (DB)           | TE-5004       | 1    |
| 18-18x                     | EL619064  | Lamp 24V 35MA (DB)                  | 28-2-40       | 1    |
| 18-19x                     | ZS325495  | Tapping Screws #2 3x6               |               | 1    |
| <b>REAR CHASSIS BLOCK</b>  |           |                                     |               |      |
| 18-20x                     | MZ640574  | Amp. Side Plate A                   | TE-5012       | 1    |
| 18-21x                     | MZ640585  | Amp. Side Plate B                   | TE-5012       | 1    |
| 18-22                      | EJ292961  | Multi-jack 10P 500-010-005          | 31-4-4        | 1    |
| 18-23                      | EZ530021  | Jack Nut Plate                      | ND-5052       | 1    |
| 18-24x                     | ZS462947  | Screw, pan head 2.3x12              |               | 2    |
| 18-25x                     | ZW273881  | Earth Lug M4                        |               | 1    |
| 18-26                      | EZ655942  | MJJack Shield                       | TE-5017       | 1    |
| <b>JACK PLATE BLOCK</b>    |           |                                     |               |      |
| 18-27x                     | BJ647728  | Jack Plate Block Comp.              |               | 1    |
| 18-28                      | EJ624104  | Jack Plate J-2                      | 31-5-121      | 1    |
| 18-29x                     | EA628222  | P.C Board for Jack                  | LE-5622       | 1    |
| 18-30x                     | ER440921  | Carbon/R. RD1/4 27k(J) (Insu. Type) | 35-9-5        | 2    |

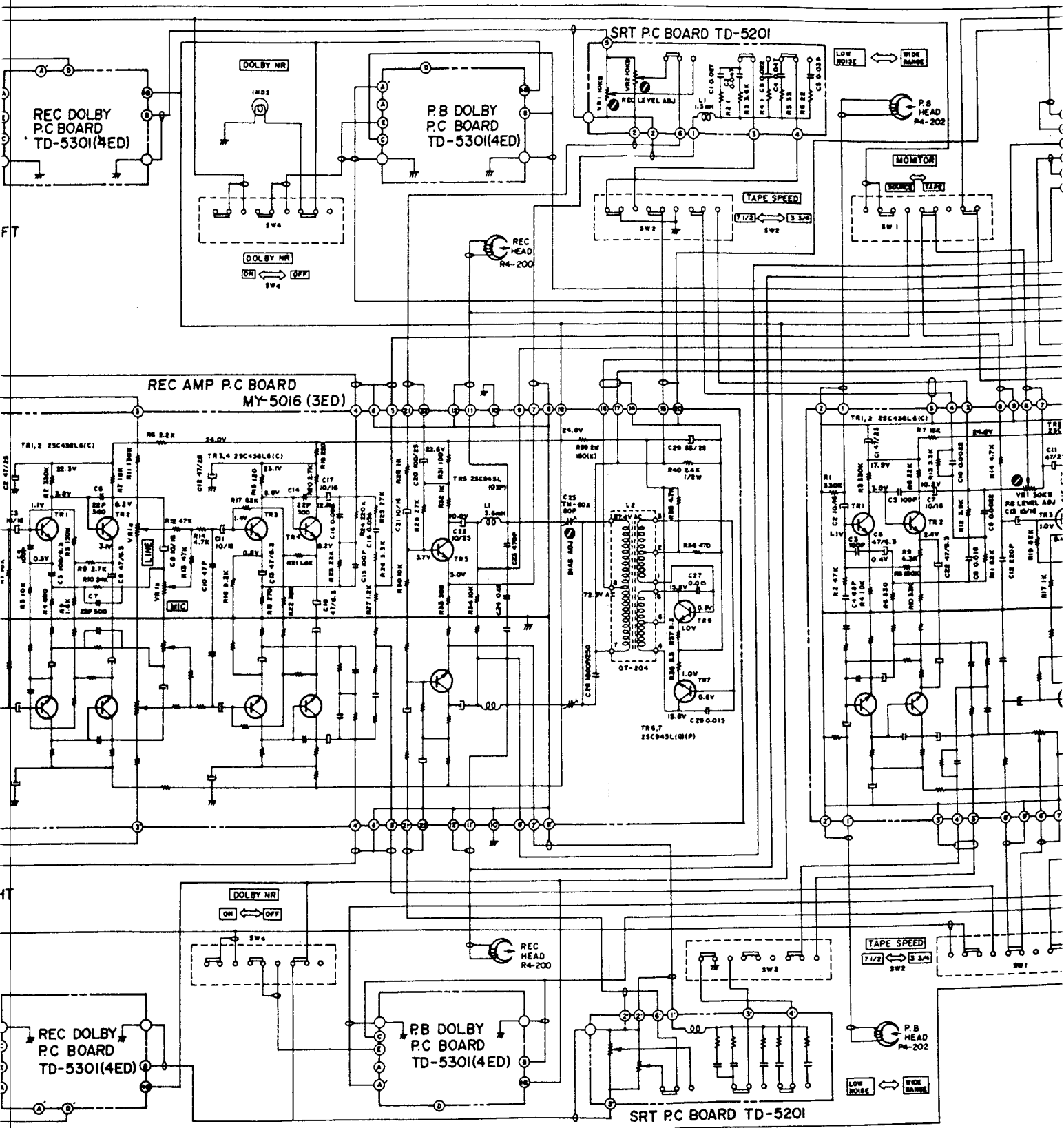
19 PHOTO OF FINAL ASSEMBLY BLOCK



19) FINAL ASSEMBLY BLOCK

| Ref. No.                      | Parts No. | Description                                | Schematic No. | Q'ty | Ref. No.                    | Parts No. | Description                      | Schematic No. | Q'ty |
|-------------------------------|-----------|--|---------------|------|-----------------------------|-----------|----------------------------------|---------------|------|
| <b>HEAD COVER TABLE BLOCK</b> |           |  |               |      | <b>CASE BLOCK</b>           |           |                                  |               |      |
| 19-1                          | SC640991  | Head Cover Base                            | TE-6007       | 1    | 19-36x                      | BC647673  | Case Block Comp.                 | TE            | 1    |
| 19-2                          | SC643724  | Head Cover                                 | TY-6004       | 1    | 19-37                       | BC640978  | Wood Case                        | TE-6021       | 1    |
| 19-3x                         | SZ534543  | Cushion Rubber C                           | TW-6039       | 2    | 19-38                       | SA640934  | Square Foot, w/rubber            | TE-6020       | 2    |
| 19-4                          | SM640956  | Model Name Plate GX-630D                   | TE-6005       | 1    | 19-39x                      | ZS200610  | Tapping Screw #1 4x12 (Truss)    |               | 4    |
| 19-5x                         | SM640967  | Model Name Plate GX-630DB (DB)             | TE-6005       | 1    | 19-40x                      | SZ480712  | Dust Cover Pin                   | LE-6024       | 2    |
| 19-6x                         | MZ640800  | Hinge Bracket                              | TE-6006       | 1    | <b>FINAL ASSEMBLY BLOCK</b> |           |                                  |               |      |
| 19-7x                         | MZ598263  | Hinge Angel                                | KJ-6017       | 1    | 19-41x                      | SP641024  | Lower Side Plate A               | TE-6013       | 1    |
| 19-8x                         | MV269965  | Steel Ball D4                              |               | 1    | 19-42x                      | SP641035  | Lower Side Plate B               | TE-6013       | 1    |
| 19-9x                         | ZG249107  | Ball Retaining Spring                      | RD-432        | 1    | 19-43x                      | ZS325495  | Tapping Screw #2 3x6             |               | 30   |
| 19-10x                        | ZW499593  | Set Screw, hexagon socket 5x4 (Flat Point) |               | 1    | 19-44x                      | SP641046  | Upper Side Plate A               | TE-6014       | 1    |
| 19-11x                        | MS597431  | Hinge Shaft                                | KJ-6015       | 1    | 19-45x                      | SP641057  | Upper Side Plate B               | TE-6014       | 1    |
| 19-12x                        | SZ597420  | Collar                                     | KJ-6014       | 1    | 19-46x                      | MZ640877  | Supporting Plate                 | TE-6016       | 2    |
| 19-13x                        | ZW420682  | Washer (Nylon) D4.2x9x0.5t                 |               | 1    | 19-47x                      | ZS417150  | Screw, pan head 4x6              |               | 8    |
| 19-14x                        | ZW270101  | 'E' Ring 3M                                | 6-1-9         | 2    | 19-48x                      | SZ529920  | Reinforcement Angle A            | ND-6003       | 1    |
| 19-15x                        | ZS323728  | Screw, binding head 3x5                    |               | 4    | 19-49x                      | ZS432674  | Screw, pan head 3x3              |               | 1    |
| <b>MECH. PANEL BLOCK</b>      |           |  |               |      | 19-50x                      | SA428714  | LM Rubber Foot, w/screw          | LM-404        | 4    |
| 19-16x                        | BZ647662  | Mech. Panel Block Comp.                    | TE            | 1    | 19-51x                      | ZW324281  | Screw, pan head 4x25             |               | 4    |
| 19-17                         | SP641237  | Mech. Panel                                | TE-6001       | 1    | 19-52x                      | ZW419646  | Washer (SPC) D4.5x9.8x0.5t       |               | 4    |
| 19-18                         | SE640754  | Motor Escutcheon A                         | TE-6002       | 1    | 19-53x                      | ZS665550  | Screw, pan head 4x15, w/washer   |               | 2    |
| 19-19                         | MZ640787  | Impedance Roller Collar                    | TE-6003       | 1    | 19-54x                      | ZS664345  | Screw, pan head 4x30, w/washer   |               | 4    |
| 19-20x                        | MZ640798  | Arm Collar                                 | TE-6004       | 2    | 19-55x                      | EZ640980  | Amp. Shield                      | TE-6018       | 1    |
| 19-21                         | SE581602  | Reel Table Escutcheon 2                    | TD-6021       | 2    | 19-56                       | SK638976  | Knob I-C                         | CP-5018       | 4    |
| 19-22x                        | ZW575730  | Speed Nut (P Type) 3                       | 6-3-6         | 8    | 19-57                       | SK634410  | Push Button Knob J               | 91-5051       | 3    |
| 19-23                         | SE626951  | Counter Escutcheon                         | MY-6006       | 1    | 19-58x                      | EF563681  | Fuse 1A250V                      | 39-1-50       | 1    |
| <b>AMP. PANEL BLOCK</b>       |           |  |               |      | 19-59x                      | ZS411660  | Screw, oval countersunk head 3x6 |               | 2    |
| 19-24x                        | BZ647730  | Amp. Panel Block Comp.                     | TE            | 1    | 19-60                       | EZ436217  | Collar For Jack                  | MC-5006       | 3    |
| 19-25x                        | BZ647741  | Amp. Panel Block Comp. (DB)                | TE            | 1    | 19-61                       | SK640912  | Double Knob (Upper)              | TE-6011       | 2    |
| 19-26                         | SP641002  | Amp. Panel                                 | TE-6008       | 1    | 19-62                       | SK640923  | Double Knob (Lower)              | TE-6012       | 2    |
| 19-27x                        | SP641013  | Amp. Panel (DB)                            | TE-6008       | 1    | 19-63                       | SK640901  | Single Knob                      | TE-6010       | 1    |
| 19-28                         | SE631102  | VU Escutcheon                              | MY-6205       | 2    | 19-64                       | SK645300  | Pinch Roller Cap                 | TD-6013       | 1    |
| 19-29x                        | ZS575392  | Screw, pan head 2.6x8                      |               | 8    | 19-65                       | SE613901  | Panel Screw                      | CW-6031       | 8    |
| 19-30x                        | ZW318014  | Washer (BSP) D2.6x4.5x0.4t                 |               | 8    | 19-66x                      | ZS312221  | Screw, truss head 3x15 (Black)   |               | 4    |
| 19-31                         | SE612055  | Lamp Lens A (Red)                          | CH-6314       | 1    | 19-67x                      | SE627120  | Ventilator                       | MY-6014       | 1    |
| 19-32x                        | SE639696  | Lamp Lens B-2 (DB)                         | NE-6005       | 1    | 19-68x                      | ZS392141  | Tapping Screw #1 3x8 (Truss)     |               | 2    |
| 19-33x                        | SE613888  | Button Escutcheon A (DB)                   | CW-6021       | 4    | 19-69                       | EW374894  | AC Cord 3M                       | 26-3-19       | 1    |
| 19-34x                        | SE613866  | Button Escutcheon C                        | CW-6016       | 5    | 19-70x                      | EW516600  | AC Cord VM-0065 (CEE)            | 26-3-28       | 1    |
| 19-35x                        | TC494267  | Lamp Cover(DB)                             | CG-2206       | 1    | 19-71x                      | EW524845  | AC Cord 2.5M (JPN)               | 26-3-31       | 1    |





REC DOLBY  
P.C BOARD  
TD-530I(4ED)

DOLBY NR

P.B DOLBY  
P.C BOARD  
TD-530I(4ED)

SRT P.C BOARD TD-520I

LOW NOISE

WIDE RANGE

P.B HEAD  
P4-202

MONITOR

SW1

TAPE SPEED

1 1/2 3 3/4

SW2

REC HEAD  
R4-200

DOLBY NR

ON OFF

SW4

REC AMP P.C BOARD  
MY-5016 (3ED)

TR1,2 2SC458L6(C)

CS 47/25

CS 10/16

CS 10/16

CS 10/16

CS 10/16

CS 10/16

CS 10/16

CS 10/16

CS 10/16

CS 10/16

CS 10/16

CS 10/16

CS 10/16

CS 10/16

CS 10/16

CS 10/16

CS 10/16

CS 10/16

CS 10/16

CS 10/16

CS 10/16

CS 10/16

CS 10/16

CS 10/16

CS 10/16

CS 10/16

CS 10/16

CS 10/16

CS 10/16

CS 10/16

CS 10/16

CS 10/16

CS 10/16

CS 10/16

CS 10/16

CS 10/16

CS 10/16

CS 10/16

CS 10/16

CS 10/16

CS 10/16

CS 10/16

CS 10/16

CS 10/16

CS 10/16

CS 10/16

CS 10/16

CS 10/16

CS 10/16

CS 10/16

CS 10/16

CS 10/16

CS 10/16

P.B DOLBY  
P.C BOARD  
TD-530I(4ED)

SRT P.C BOARD TD-520I

P.B HEAD  
P4-202

LOW NOISE

WIDE RANGE

TAPE SPEED

1 1/2 3 3/4

SW2

P.B HEAD  
P4-202

LOW NOISE

WIDE RANGE

TAPE SPEED

1 1/2 3 3/4

SW1

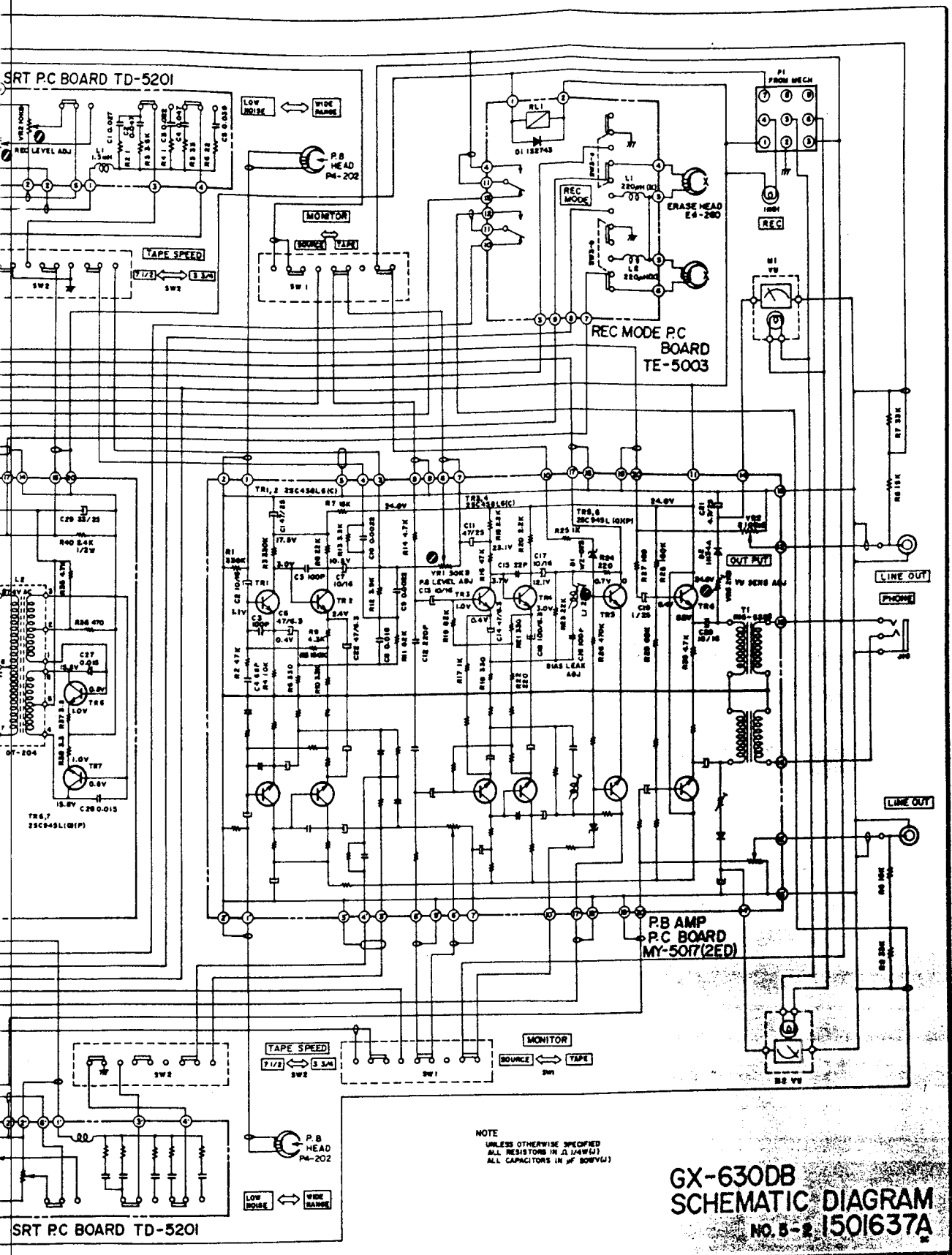
REC HEAD  
R4-200

DOLBY NR

ON OFF

SW4

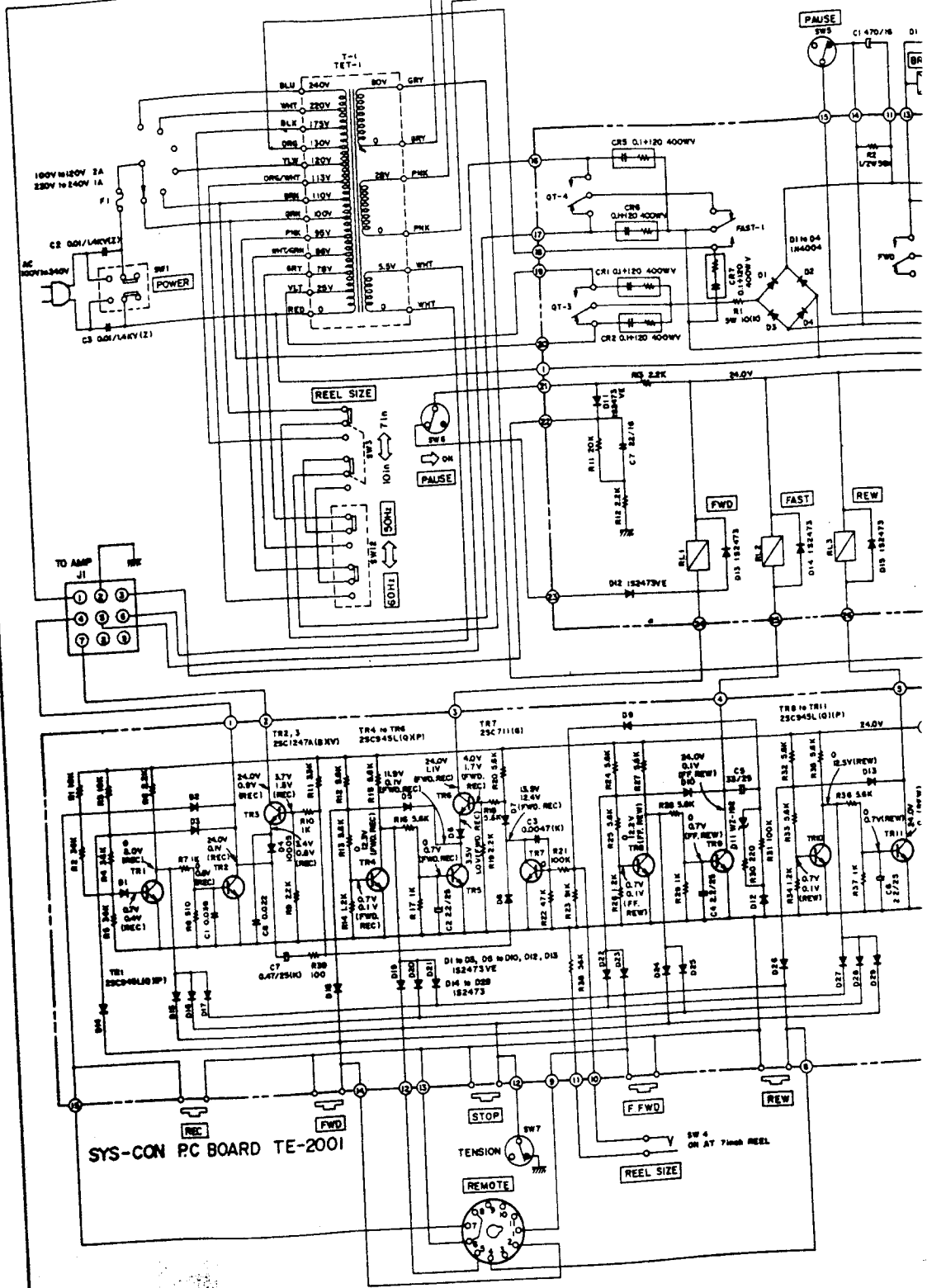
For Service Manuals Contact  
**MAURITRON TECHNICAL SERVICES**  
 8 Cherry Tree Rd, Chinnor  
 Oxon OX9 4QY  
 Tel: 01844-351694 Fax: 01844-352554  
 Email: enquiries@mauritron.co.uk

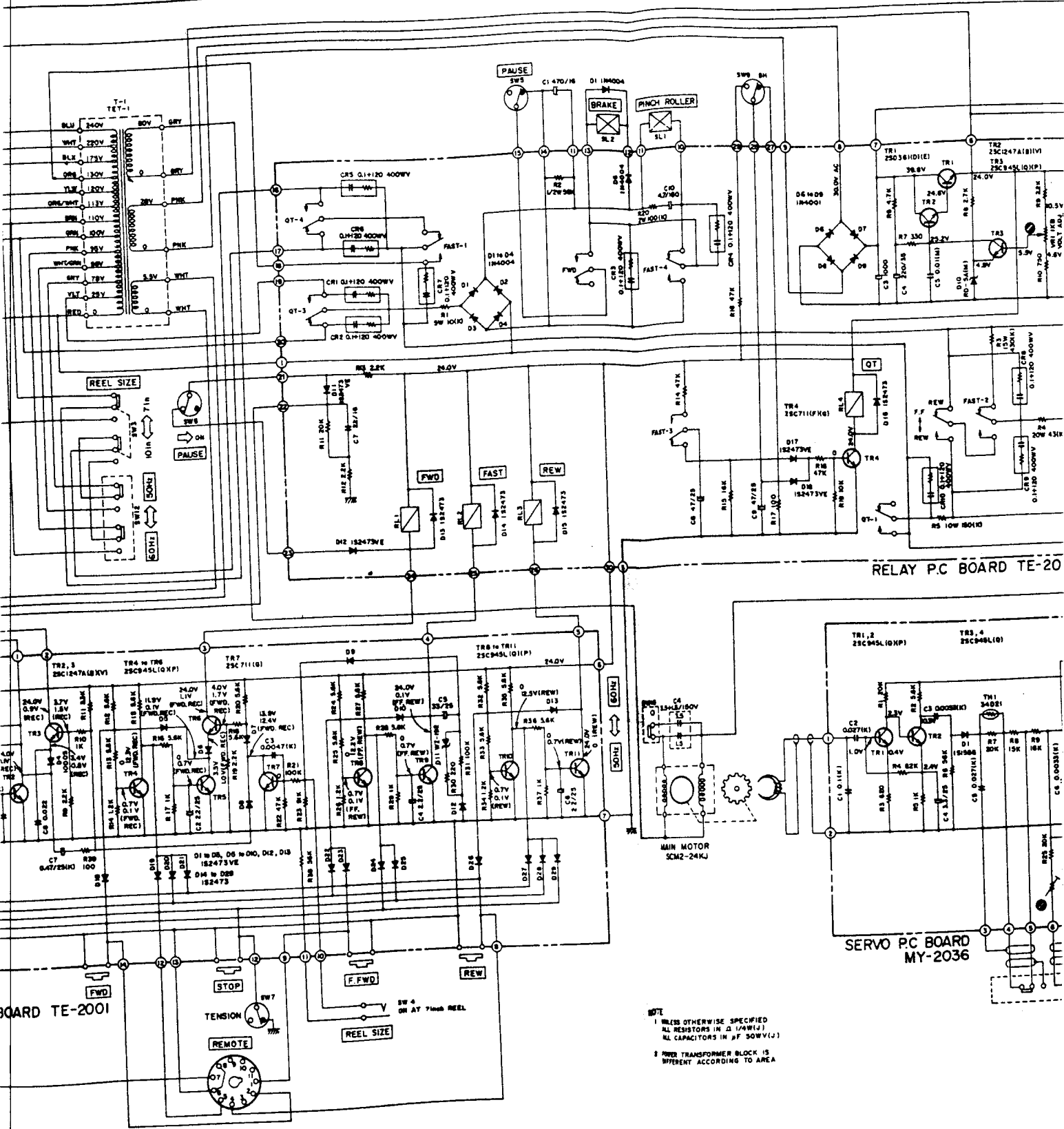


**GX-630DB**  
**SCHEMATIC DIAGRAM**  
 NO. 5-2-1501637A

For Service Manuals Contact  
**MAURITRON TECHNICAL SERVICES**  
 8 Cherry Tree Rd, Chinnor  
 Oxon OX9 4QY  
 Tel:- 01844-351694 Fax:- 01844-352554  
 Email:- enquiries@mauritron.co.uk

GX-630D/DB



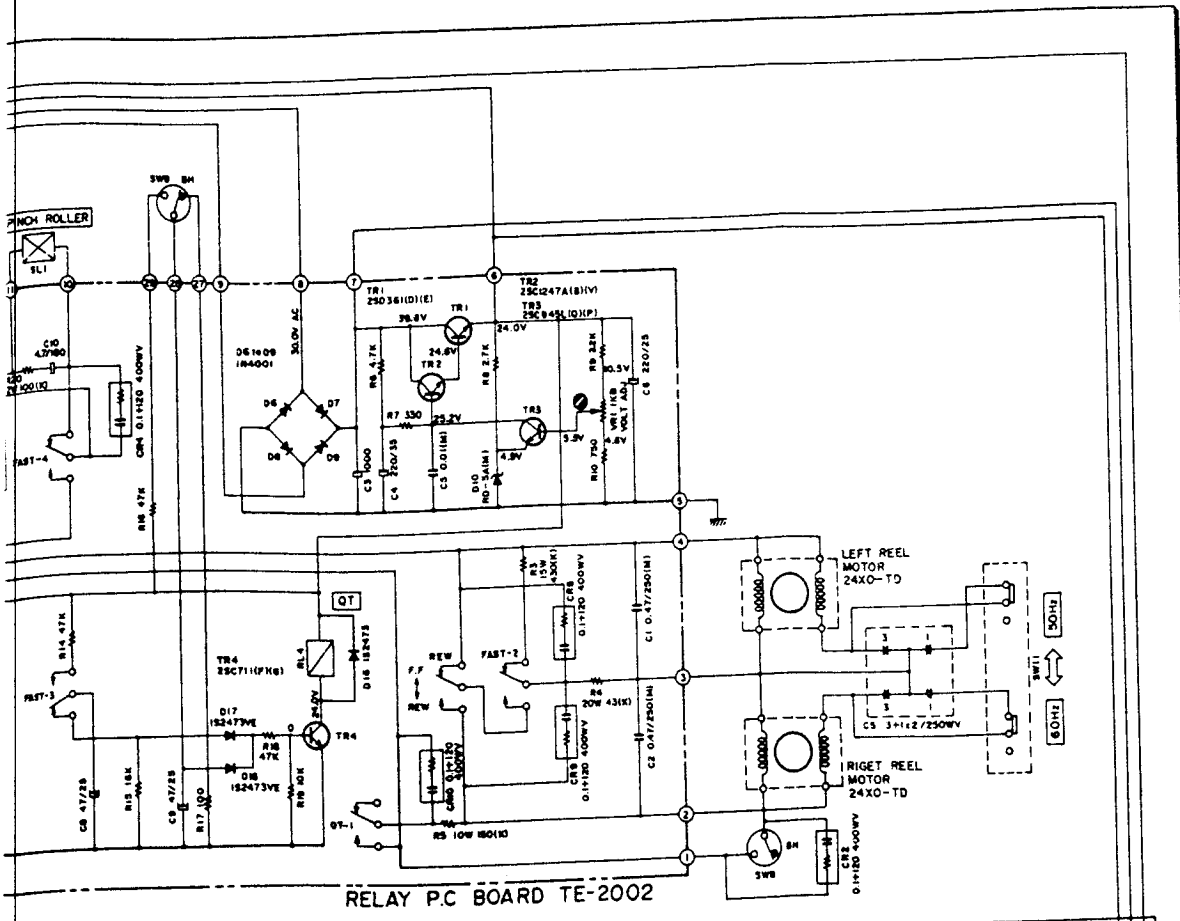


RELAY P.C. BOARD TE-20

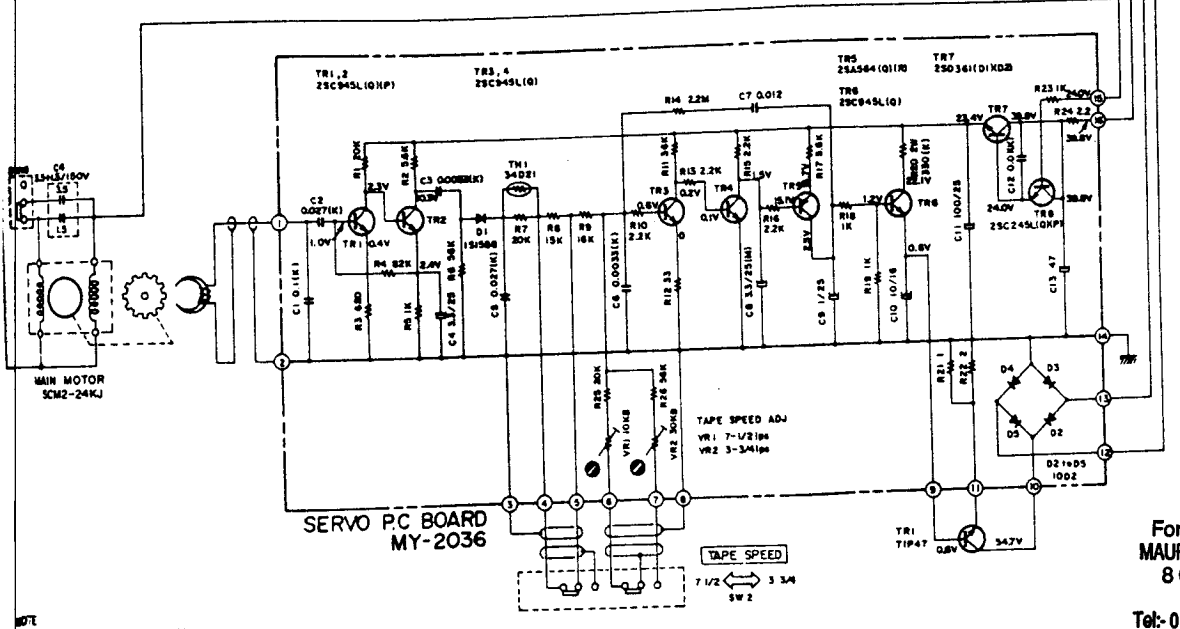
SERVO P.C. BOARD MY-2036

NOTE  
 1 UNLESS OTHERWISE SPECIFIED  
 ALL RESISTORS IN  $\Delta$  (PAW/J)  
 ALL CAPACITORS IN  $\square$  (SOW/V/J)  
 2 POWER TRANSFORMER IS  
 DIFFERENT ACCORDING TO AREA

BOARD TE-2001



RELAY P.C BOARD TE-2002



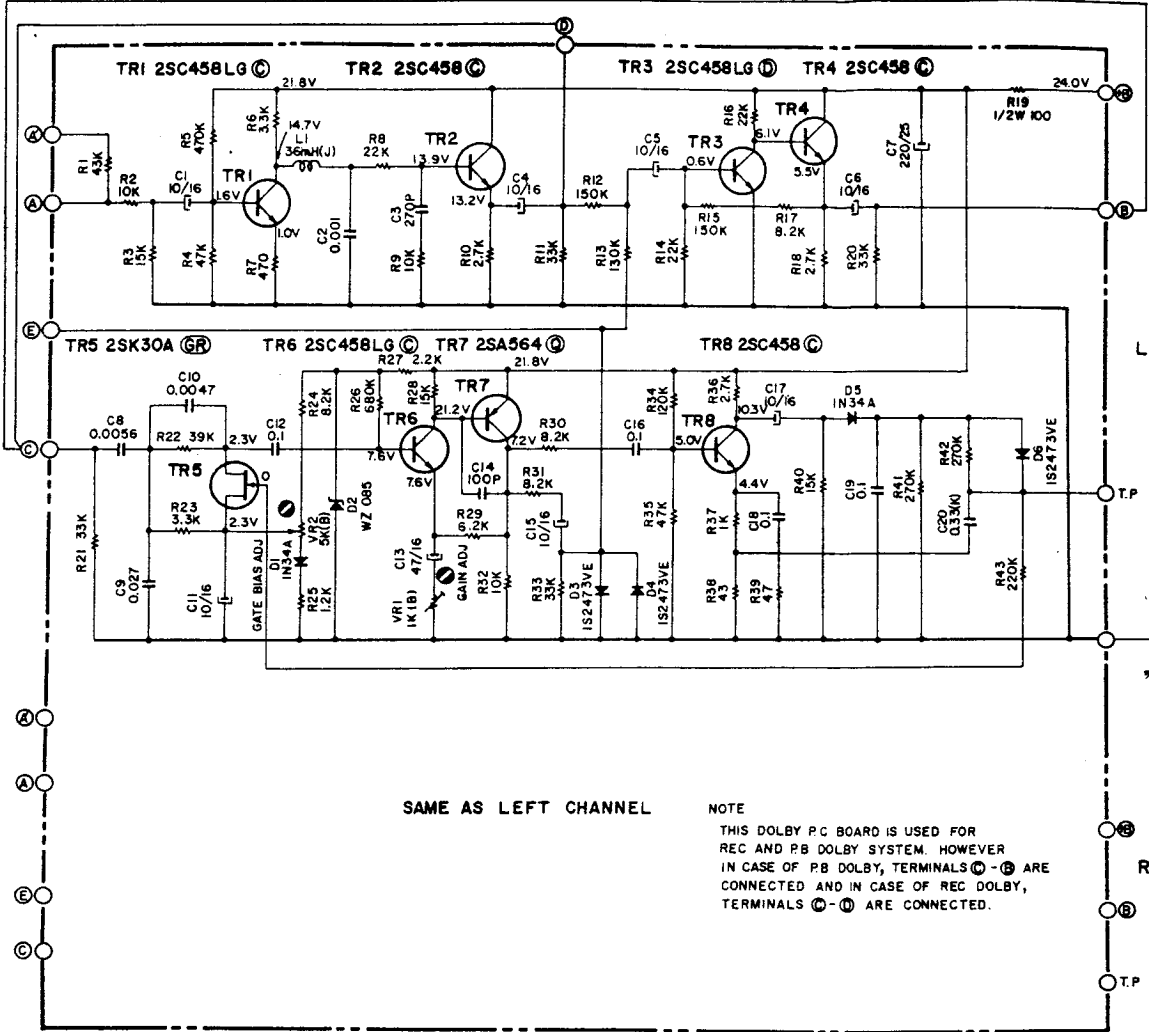
SERVO P.C BOARD MY-2036

NOTE  
 1. UNLESS OTHERWISE SPECIFIED  
 ALL RESISTORS IN  $\Omega$  (W/J)  
 ALL CAPACITORS IN  $\mu$ F (50W/J)  
 2. POWER TRANSFORMER BLOCK IS  
 DIFFERENT ACCORDING TO AREA

For Service Manuals Contact  
**MAURITRON TECHNICAL SERVICES**  
 8 Cherry Tree Rd, Chinnor  
 Oxon OX9 4QY  
 Tel: 01844-351694 Fax: 01844-352554  
 Email: enquiries@mauritron.co.uk

**GX-630D/DB**  
**SCHEMATIC DIAGRAM**  
 No. 5-3 1501638A

GX-6300B



SAME AS LEFT CHANNEL

NOTE  
 THIS DOLBY P.C BOARD IS USED FOR  
 REC AND PB DOLBY SYSTEM. HOWEVER  
 IN CASE OF PB DOLBY, TERMINALS ①-② ARE  
 CONNECTED AND IN CASE OF REC DOLBY,  
 TERMINALS ③-④ ARE CONNECTED.

DOLBY P.C BOARD TD-5301 4ED

LEFT ch

RIGHT ch

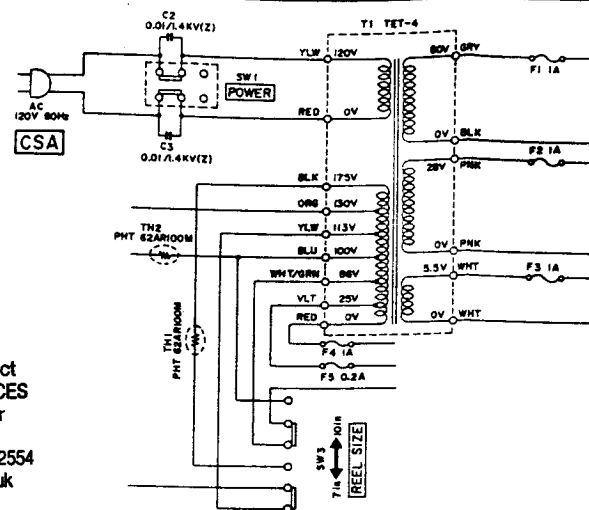
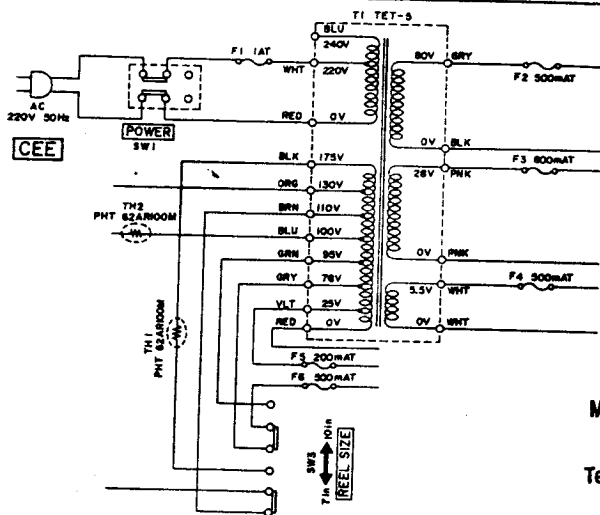
For Service Manuals Contact  
**MAURITRON TECHNICAL SERVICES**  
 8 Cherry Tree Rd, Chinnor  
 Oxon OX9 4QY  
 Tel:- 01844-351694 Fax:- 01844-352554  
 Email:- enquiries@mauritron.co.uk

NOTE  
 UNLESS OTHERWISE SPECIFIED  
 ALL RESISTORS IN  $\Omega$  1/4W(J)  
 ALL CAPACITORS IN  $\mu$ F 50WV(J)

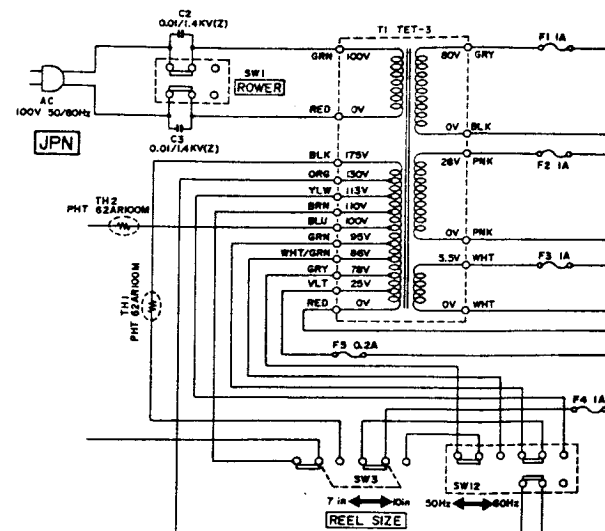
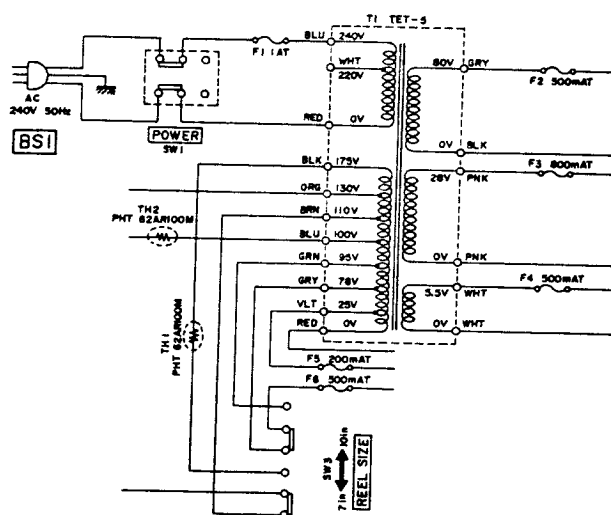
**GX-6300B**  
**SCHEMATIC DIAGRAM**  
 No.5-4 1501639A



GX-630D/DB



For Service Manuals Contact  
**MAURITRON TECHNICAL SERVICES**  
 8 Cherry Tree Rd, Chinnor  
 Oxon OX9 4QY  
 Tel: 01844-351694 Fax: 01844-352554  
 Email: enquiries@mauritron.co.uk



GX-630D/DB SCHEMATIC DIAGRAM  
 No. 5-5 1501640A