

AKAI

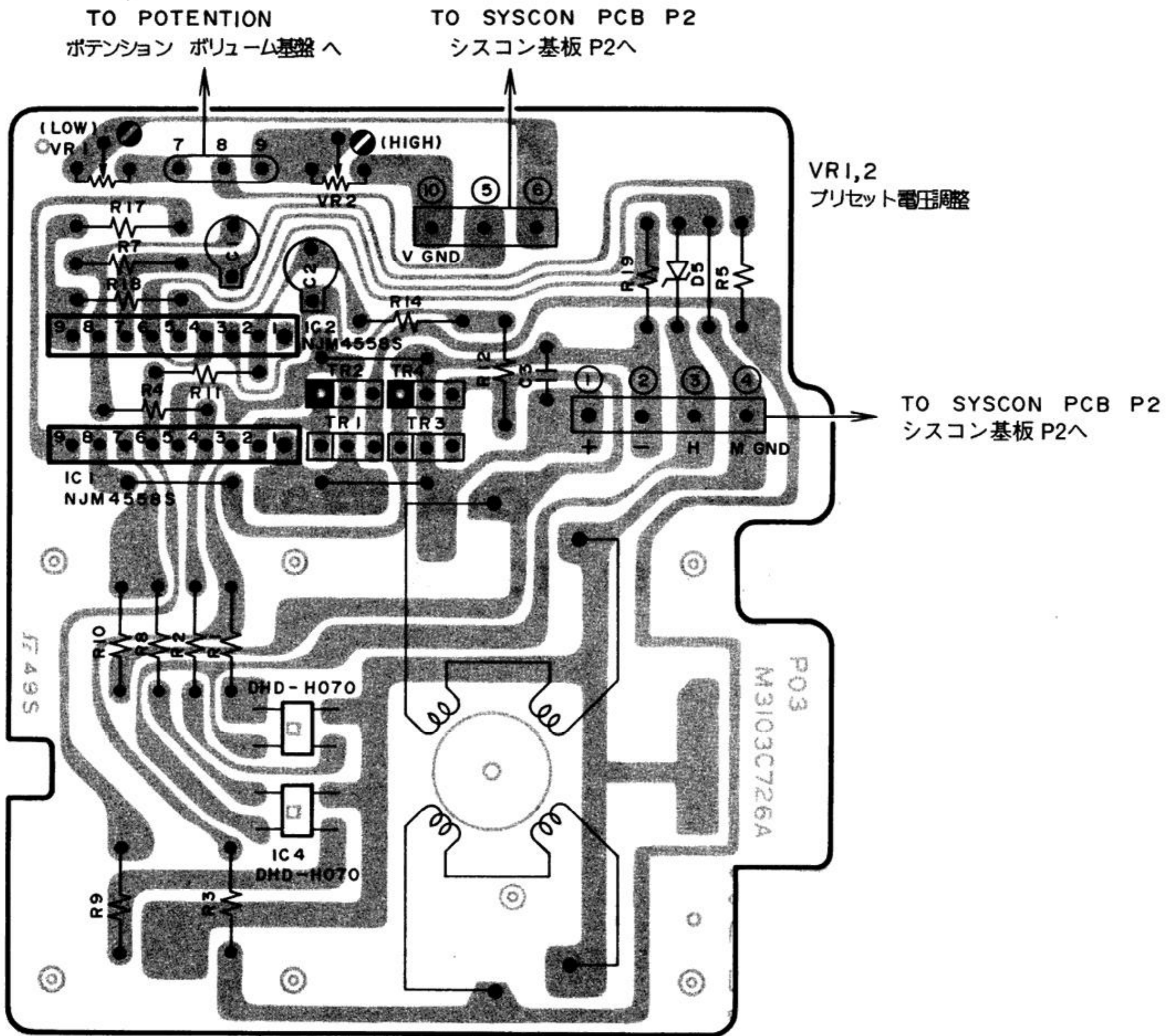
MODEL GX-75

MODEL GX-95

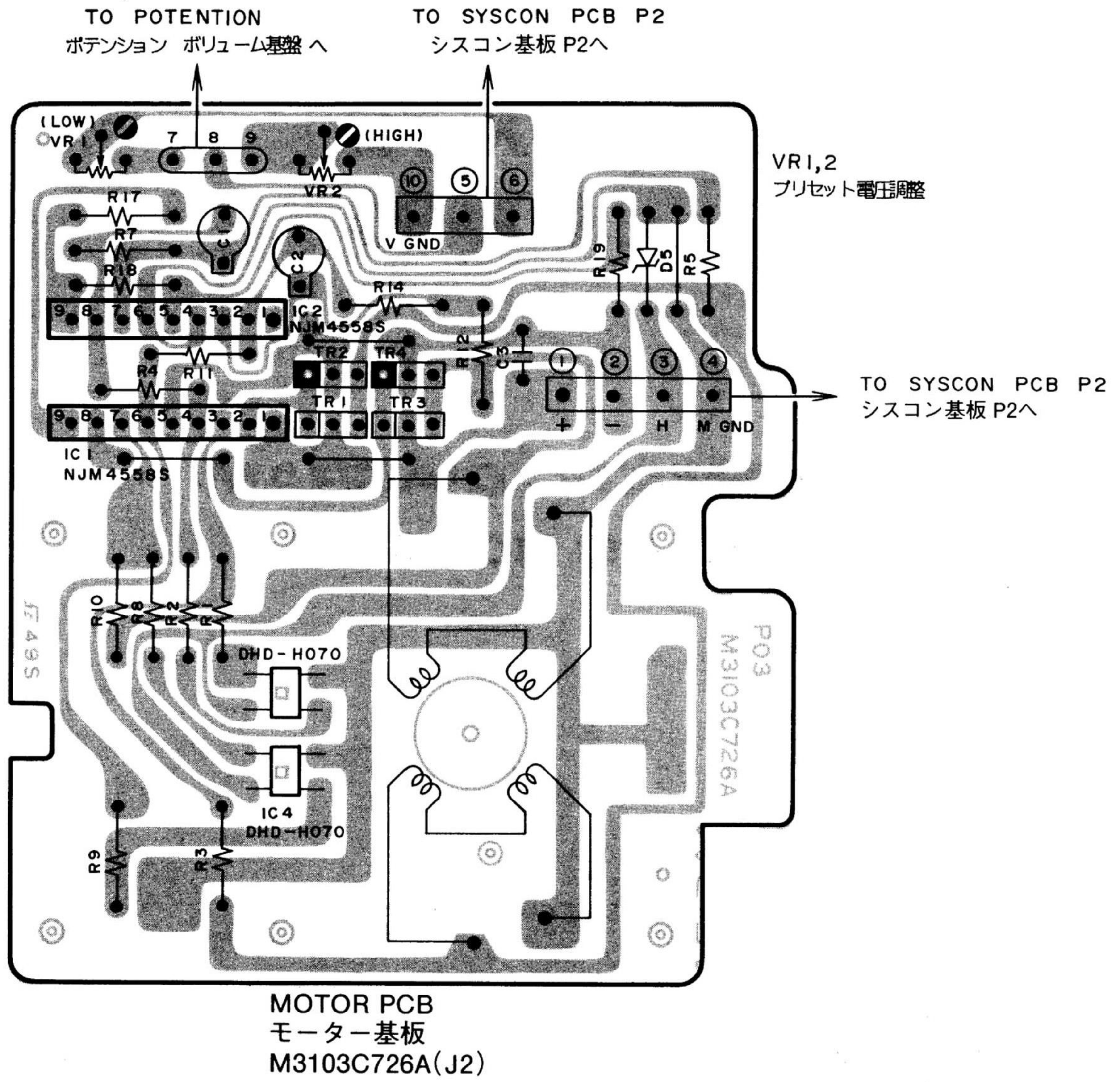
SCHEMATIC DIAGRAM AND PC BOARDS

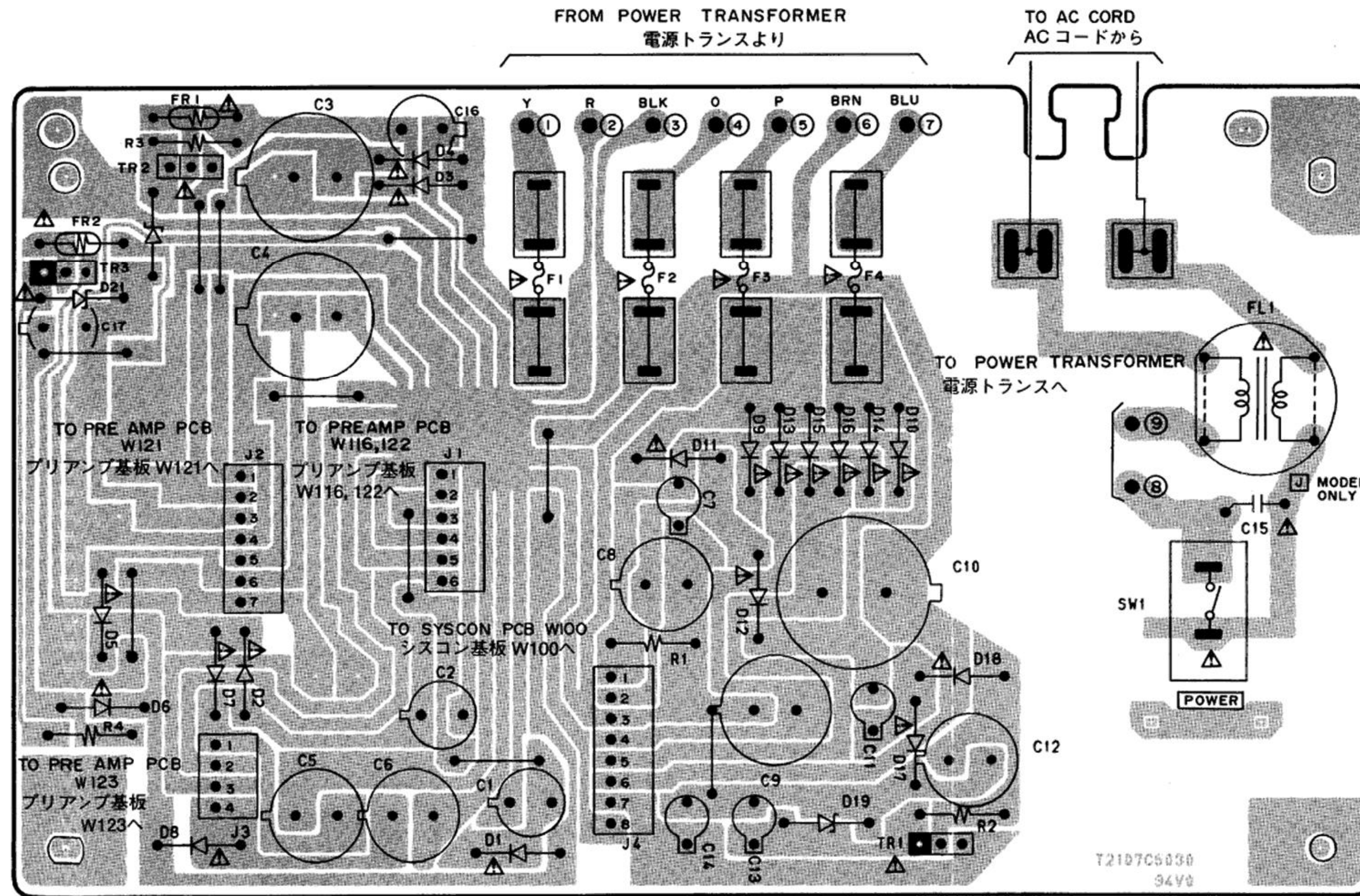
TABLE OF CONTENTS

1. MOTOR PC BOARD	2
2. POWER SUPPLY PC BOARD	3
3. OPERATION PC BOARDS	4
4. CONNECTION DIAGRAM	5
5. PRE AMP AND OSC SCHEMATIC DIAGRAM	6
6. PRE AMP AND OSC PC BOARDS	7
7. SYS-CON SCHEMATIC DIAGRAM	8
8. SYS-CON PC BOARD	9
9. BLOCK DIAGRAM	10


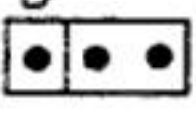


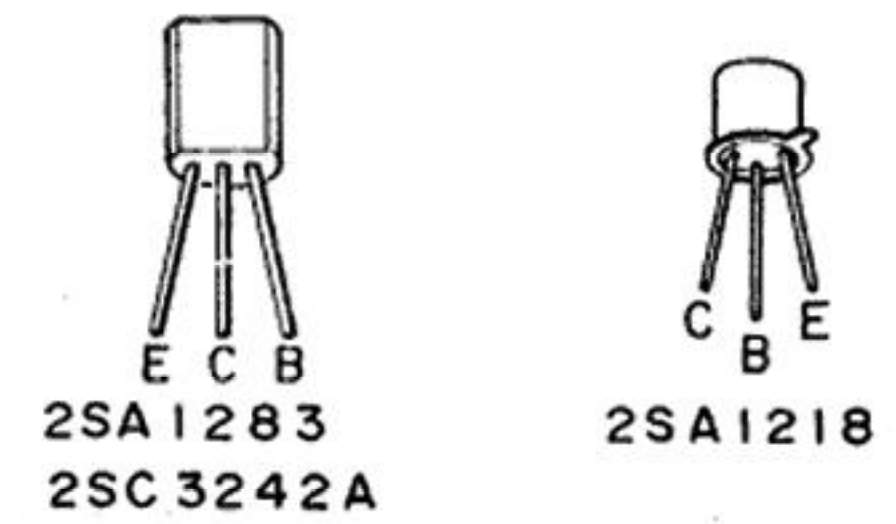
MOTOR PCB
 モーター基板
 M3103C726A(J2)





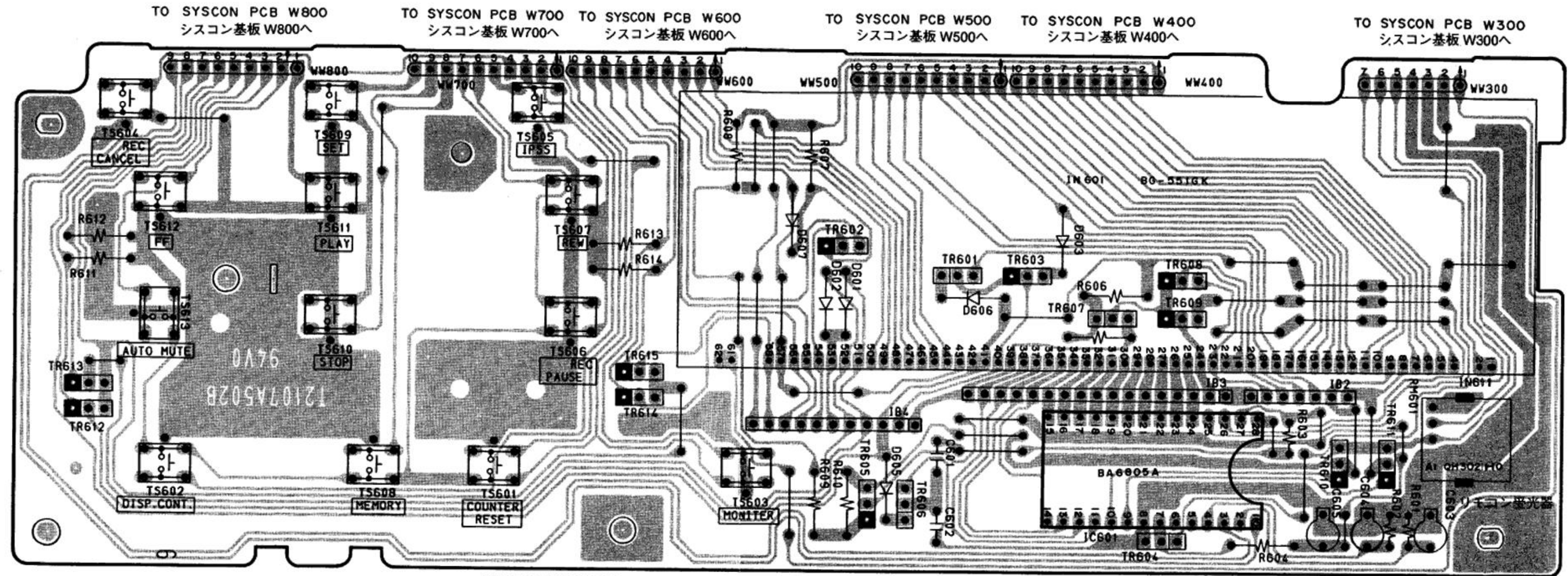
POWER SUPPLY PCB T2107C5030
 電源基板

-  PNP TRANSISTOR
トランジスタ
-  NPN TRANSISTOR
トランジスタ

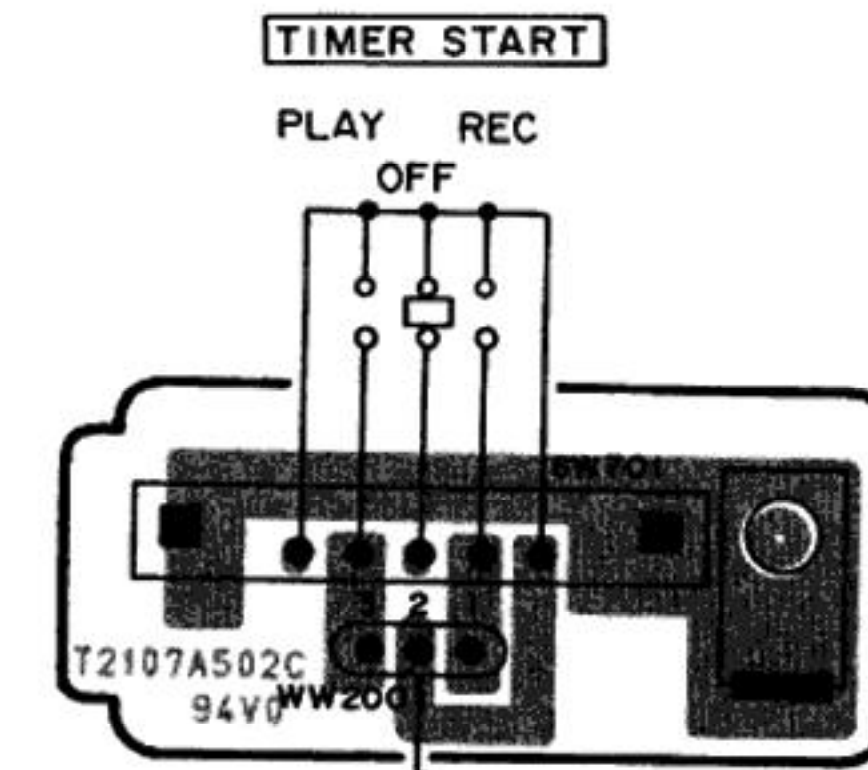
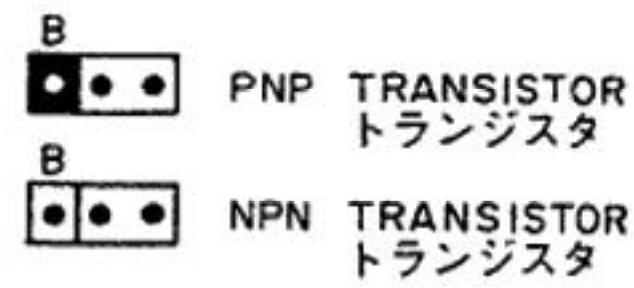
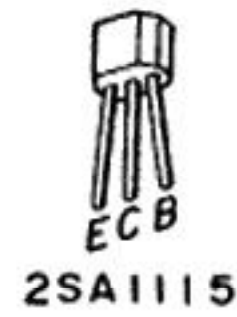
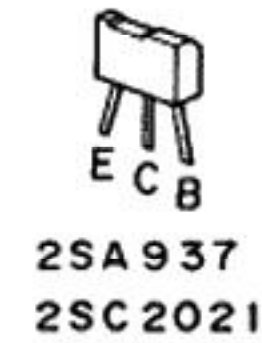
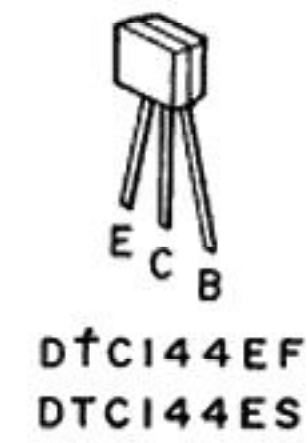


注意: △の付かれた部品は、安全上重要部品です。交換の際は、指定部品以外は使用しないこと。

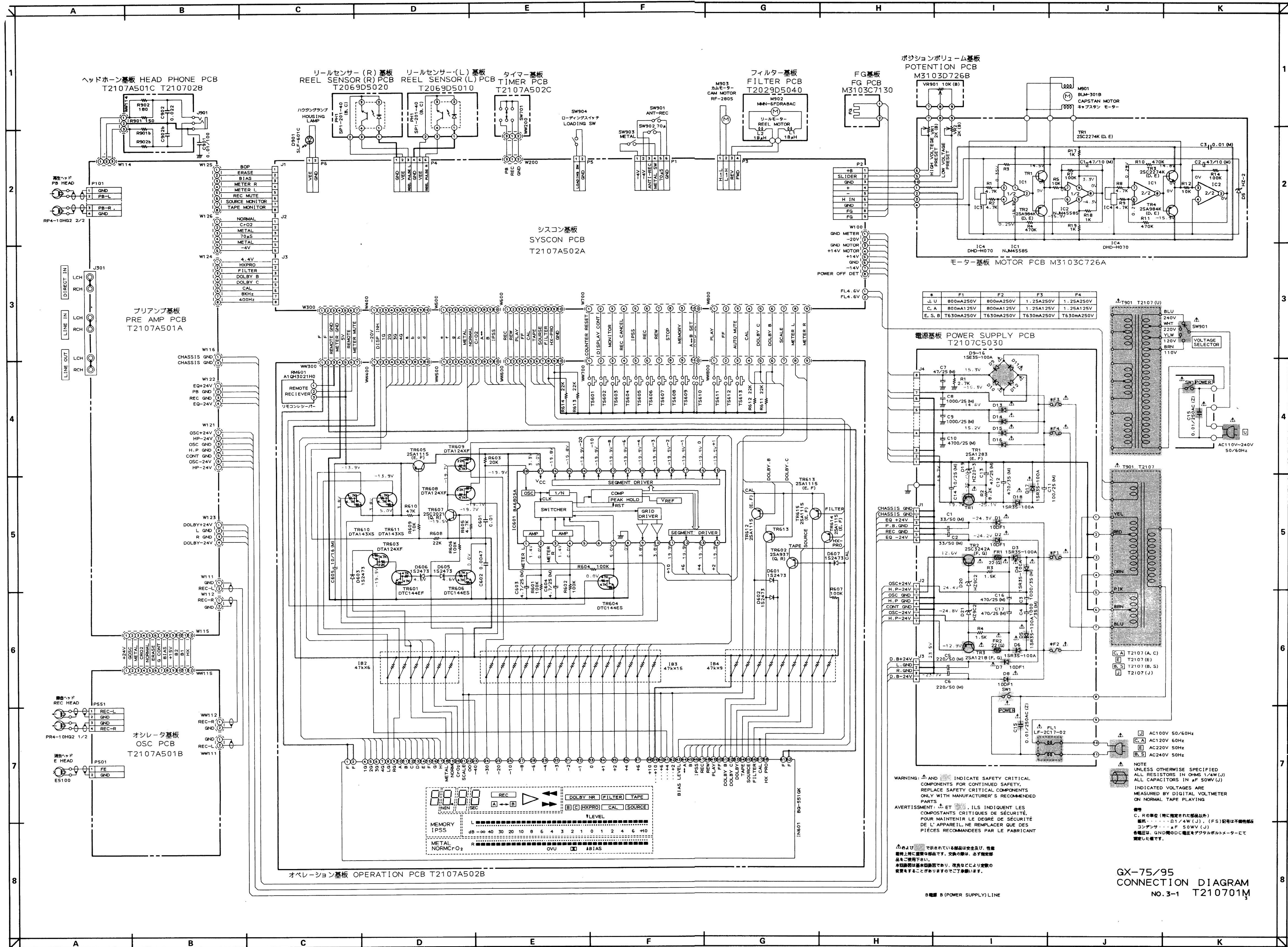
WARNING: △ INDICATES SAFETY CRITICAL COMPONENTS FOR CONTINUED SAFETY. REPLACE SAFETY CRITICAL COMPONENTS ONLY WITH MANUFACTURER'S RECOMMENDED PARTS.
 AVERTISSEMENT: △ IL INDIQUE LES COMPOSANTS CRITIQUES DE SÉCURITÉ. POUR MAINTENIR LE DEGRÉ DE SÉCURITÉ DE L'APPAREIL, NE REMPLACER QUE DES PIÈCES RECOMMANDÉES PAR LE FABRICANT.



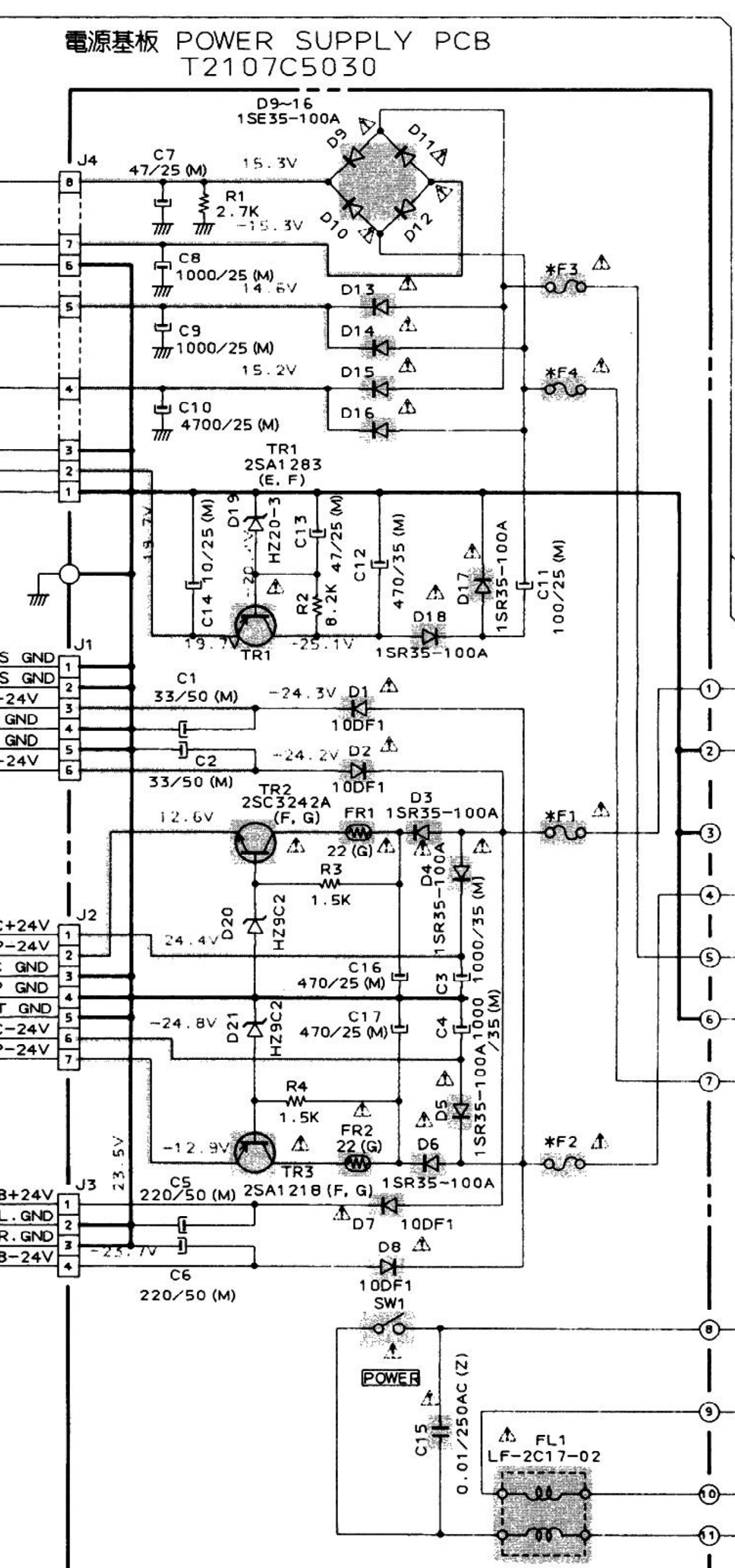
OPERATION PCB
オペレーション基板
T2107A502B



TO SYSCON PCB W200
シスコン基板 W200へ
TIMER PCB
タイマー基板
T2107N502C



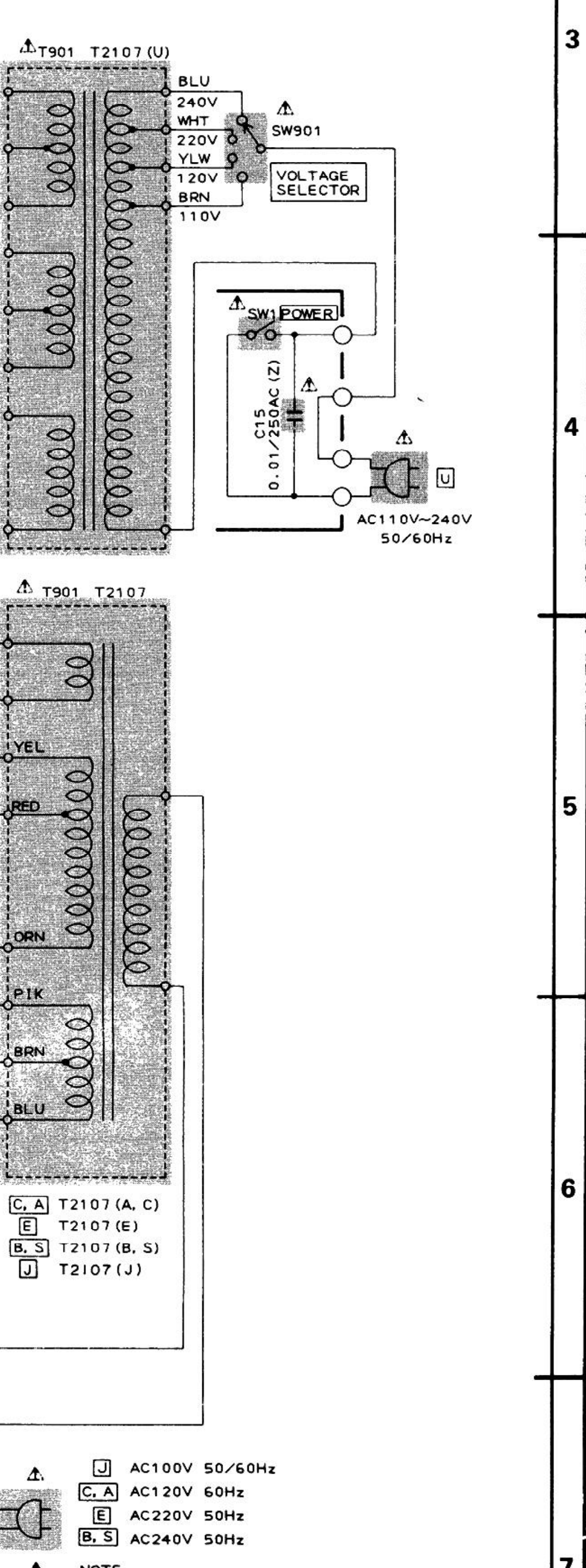
	F1	F2	F3	F4
J. U	800mA250V	800mA250V	1.25A250V	1.25A250V
C. A	800mA125V	800mA125V	1.25A125V	1.25A125V
E. S. B	T630mA250V	T630mA250V	T630mA250V	T630mA250V



WARNING: ⚠ AND ⚡ INDICATE SAFETY CRITICAL COMPONENTS FOR CONTINUED SAFETY. REPLACE SAFETY CRITICAL COMPONENTS ONLY WITH MANUFACTURER'S RECOMMENDED PARTS.

AVERTISSEMENT: ⚠ ET ⚡ ILS INDICENT LES COMPOSANTS CRITIQUES DE SÉCURITÉ. POUR MAINTENIR LE DEGRÉ DE SÉCURITÉ DE L'APPAREIL, NE REMPLACER QUE DES PIÈCES RECOMMANDÉES PAR LE FABRICANT.

注意: ⚠ と ⚡ で示されている部品は安全及び、信頼維持上特に重要な部品です。交換の際は、必ず指定部品をご使用下さい。
本図中の部品は標準品であり、改良などにより従来の部品と異なる場合がありますのでご注意ください。



NOTE: UNLESS OTHERWISE SPECIFIED ALL RESISTORS IN OHMS (1/4W (J)), ALL CAPACITORS IN µF (50WV (J)) INDICATED VOLTAGES ARE MEASURED BY DIGITAL VOLTMETER ON NORMAL TAPE PLAYING.

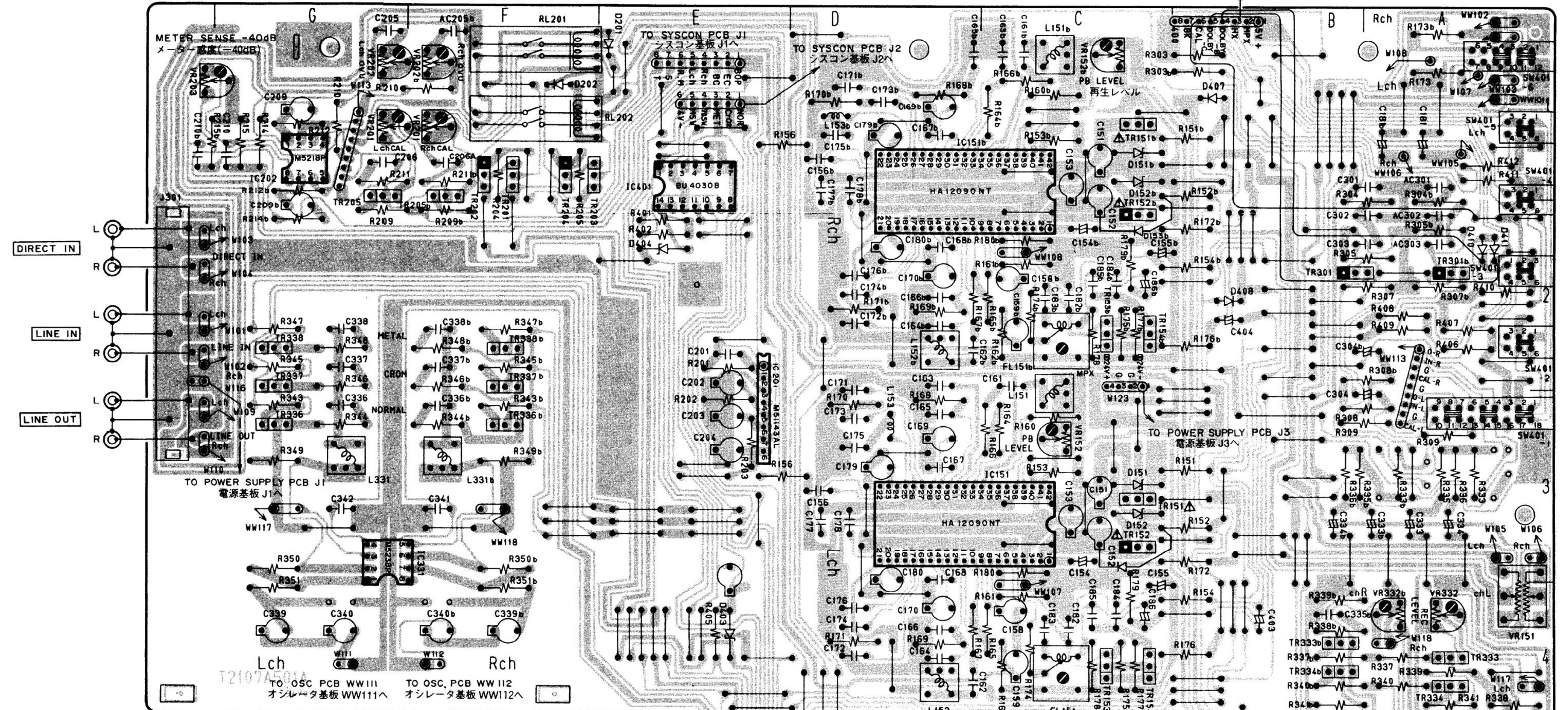
注意: 部品のRの単位 (特に指定された部品の除外) ココから... Ω / 1/4W (J), (FS) 記号は不燃性樹脂を指す。50WV (J) 各電圧は、GND間のDC電圧をアナログマルチメータにて測定した値です。

GX-75/95 CONNECTION DIAGRAM NO. 3-1 T210701M

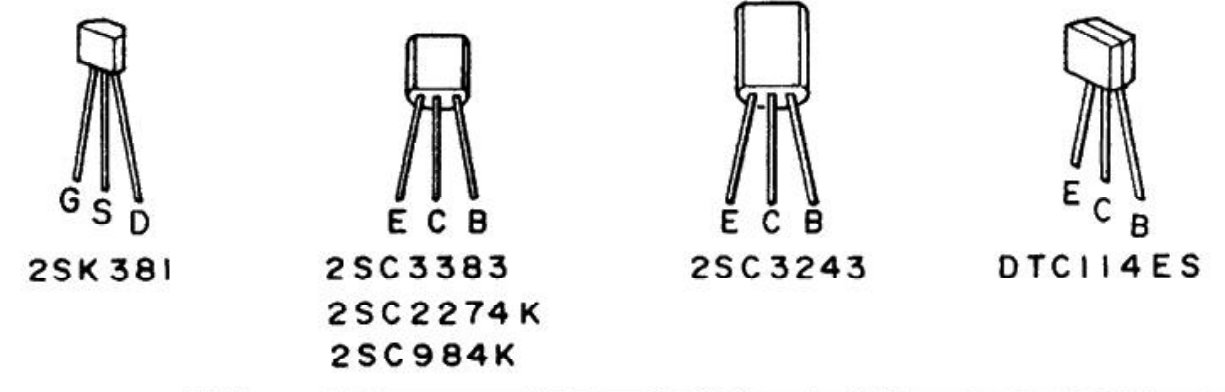
LOCATION OF COMPONENTS

- | | | |
|---------------|---------------|--------------|
| IC | IC101.....B5 | TR153.....C4 |
| IC102.....D6 | TR153b.....C2 | TR154.....C4 |
| IC151.....D3 | TR154b.....C1 | TR201.....F1 |
| IC151b.....D1 | TR202.....F1 | TR203.....F1 |
| IC201.....E3 | TR204.....F1 | TR205.....G1 |
| IC202.....G1 | TR205b.....F1 | TR301.....B2 |
| IC251.....G6 | TR301b.....A2 | TR333.....A4 |
| IC331.....G3 | TR333b.....A4 | TR334.....A4 |
| IC401.....E1 | TR334b.....A4 | TR335.....A4 |
| TR101.....D5 | TR335b.....B4 | TR336.....G3 |
| TR102.....D5 | TR336b.....F2 | TR337.....F2 |
| TR103.....D5 | TR337b.....F2 | TR338.....F2 |
| TR104.....D5 | TR338b.....F2 | TR401.....D6 |
| TR105.....D5 | TR402.....D6 | |
| TR105b.....C5 | | |
| TR106.....D5 | | |
| TR106b.....C5 | | |
| TR107.....C6 | | |
| TR107b.....C5 | | |
| TR151.....C3 | | |
| TR151b.....C1 | | |
| TR152.....C3 | | |
| TR152b.....C2 | | |

- | | |
|--------|--------------|
| VR201 | CAL LEVEL |
| VR201b | CAL レベル |
| VR202 | METER SENSE |
| VR202b | メーター 感度(0uv) |

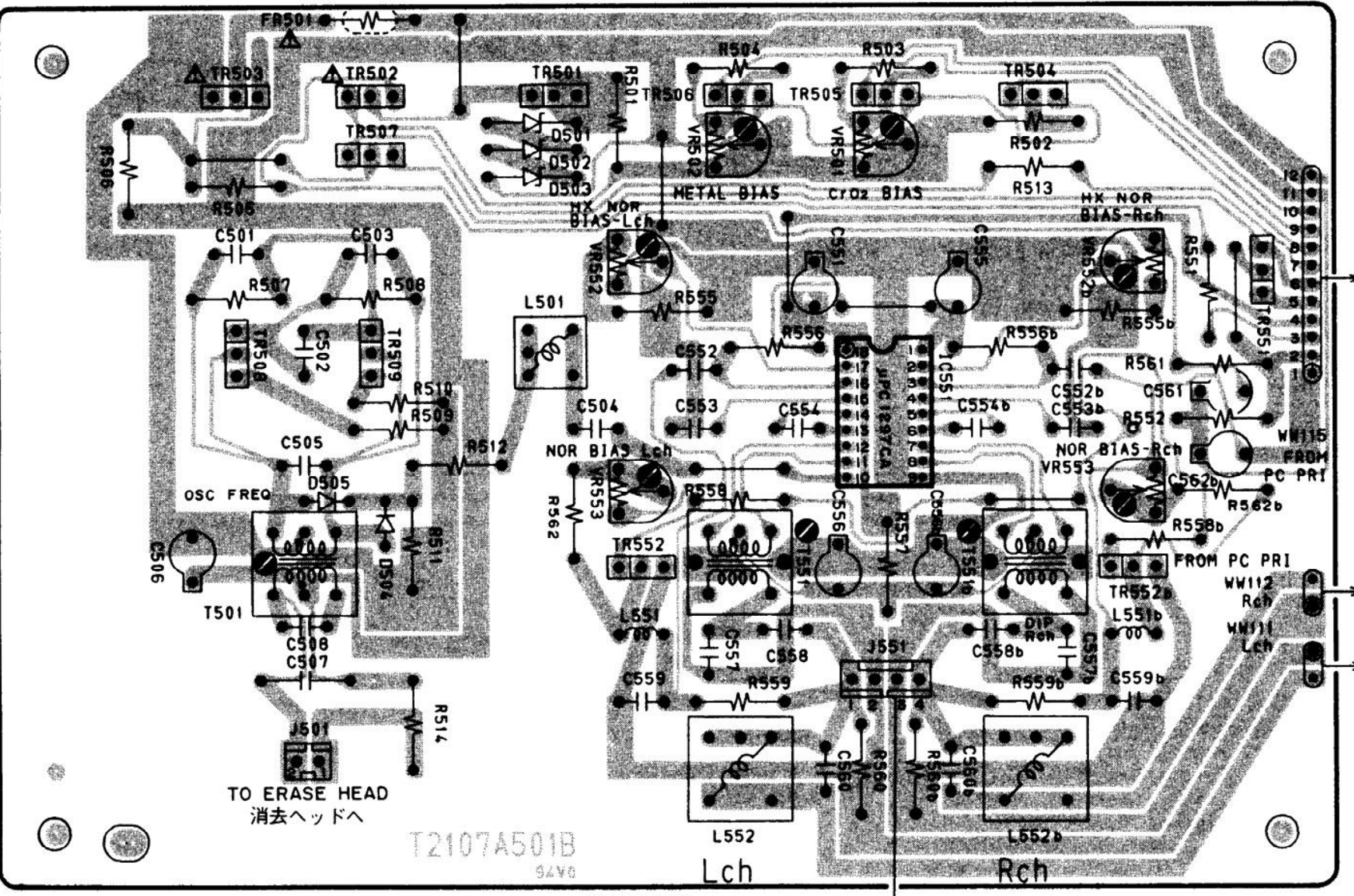
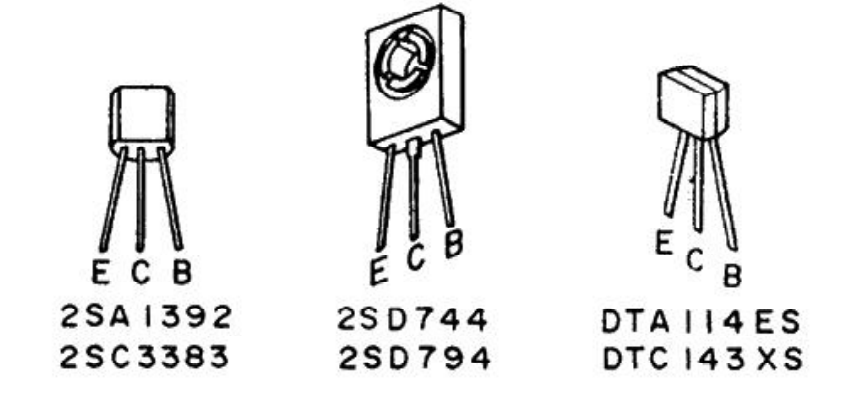


- CD/DAT DIRECT
- ON OFF
- MPX FILTER
- DOLBY MX-PRO
- ON OFF
- C-B
- B/C TYPE
- DOLBY-NR
- ON OFF
- CAL
- ON OFF
- REC LEVEL
- BIAS
- CALIBRATION
- LEVEL
- PHONES LEVEL



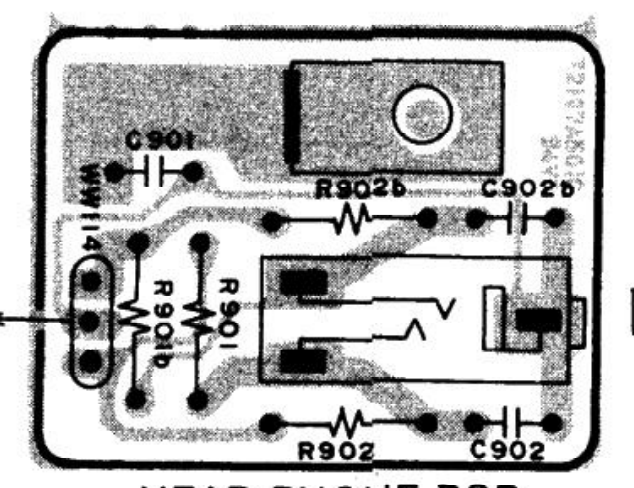
- | | |
|--|----------------|
| | PNP TRANSISTOR |
| | NPN TRANSISTOR |

- | | |
|--|----------------|
| | PNP TRANSISTOR |
| | NPN TRANSISTOR |



OSC PCB
オシレータ基板
T2107A501B

- TO PRE AMP PCB W115
プリアンプ基板 W115へ
- TO PRE AMP PCB W112
プリアンプ基板 W112へ
- TO PRE AMP PCB W111
プリアンプ基板 W111へ

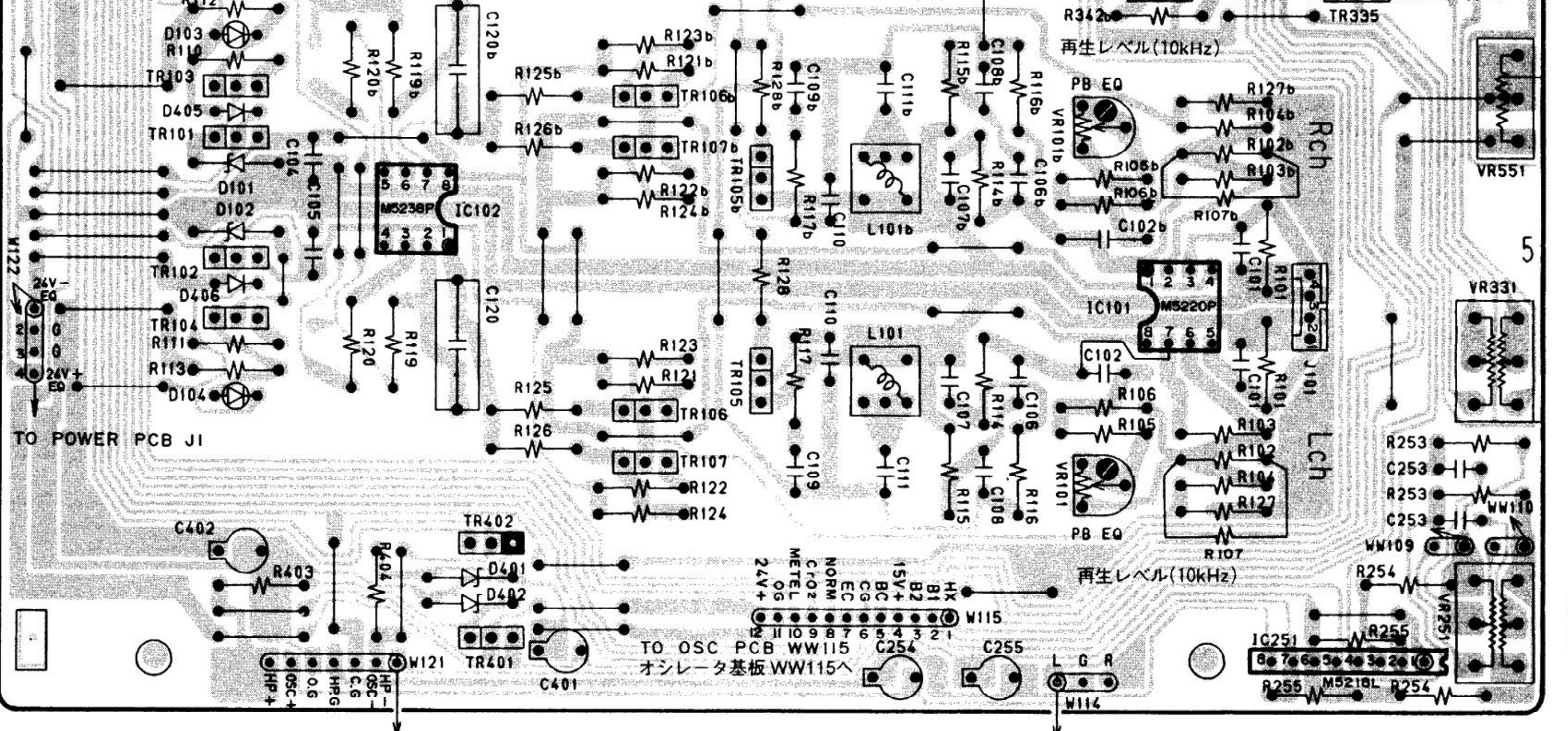


HEAD PHONE PCB
ヘッドホン基板
T2107A 501C

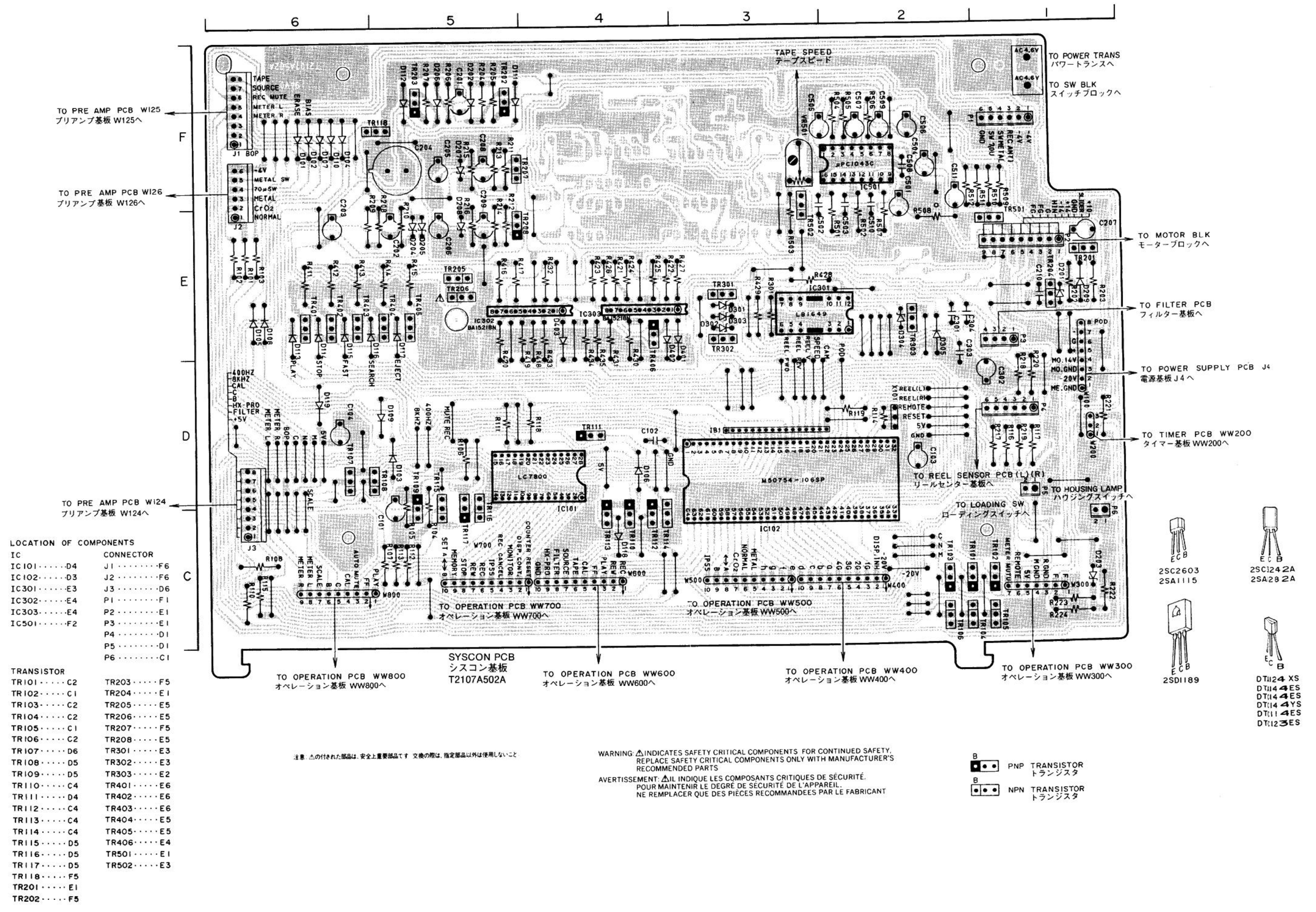
WARNING: Δ INDICATES SAFETY CRITICAL COMPONENTS FOR CONTINUED SAFETY. REPLACE SAFETY CRITICAL COMPONENTS ONLY WITH MANUFACTURER'S RECOMMENDED PARTS.

AVERTISSEMENT: Δ IL INDIQUE LES COMPOSANTS CRITIQUES DE SÉCURITÉ. POUR MAINTENIR LE DEGRÉ DE SÉCURITÉ DE L'APPAREIL, NE REMPLACER QUE DES PIÈCES RECOMMANDÉES PAR LE FABRICANT.

注意: Δの付された部品は、安全上重要な部品です。交換の際は、指定部品以外は使用しないでください。



- TO POWER SUPPLY PCB J2
電源基板 J2へ
- TO HEAD PHONE PCB WW114
ヘッドホン基板 WW114へ



LOCATION OF COMPONENTS

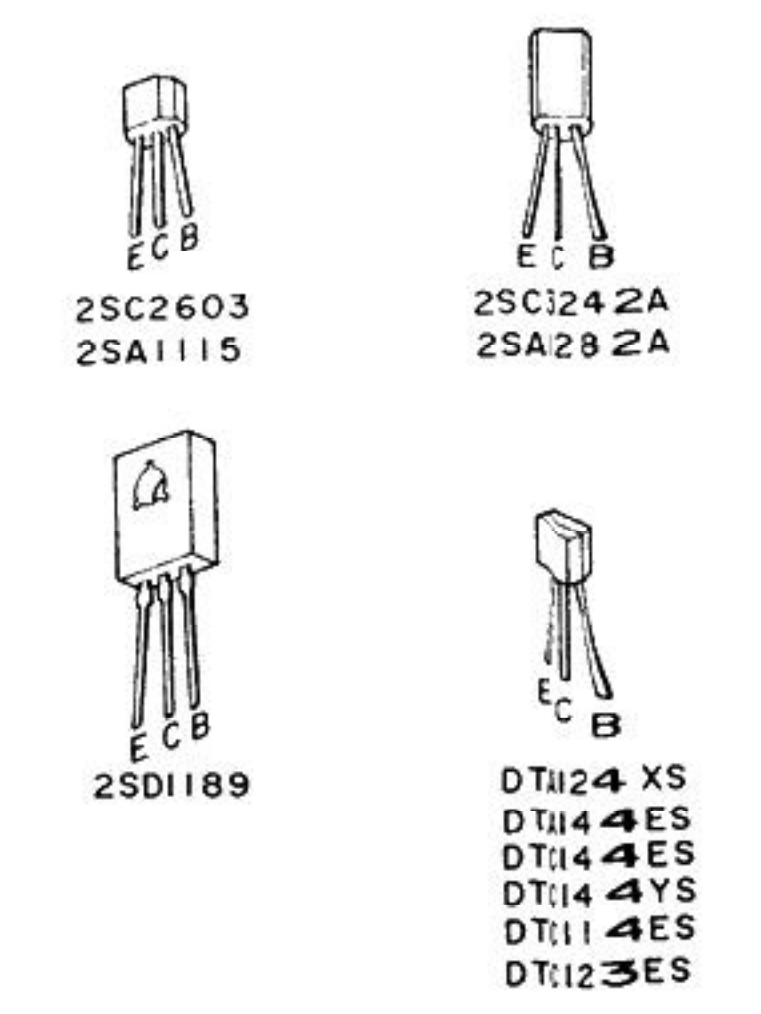
IC	CONNECTOR
IC101.....D4	J1.....F6
IC102.....D3	J2.....F6
IC301.....E3	J3.....D6
IC302.....E4	P1.....F1
IC303.....E4	P2.....E1
IC501.....F2	P3.....E1
	P4.....D1
	P5.....D1
	P6.....C1

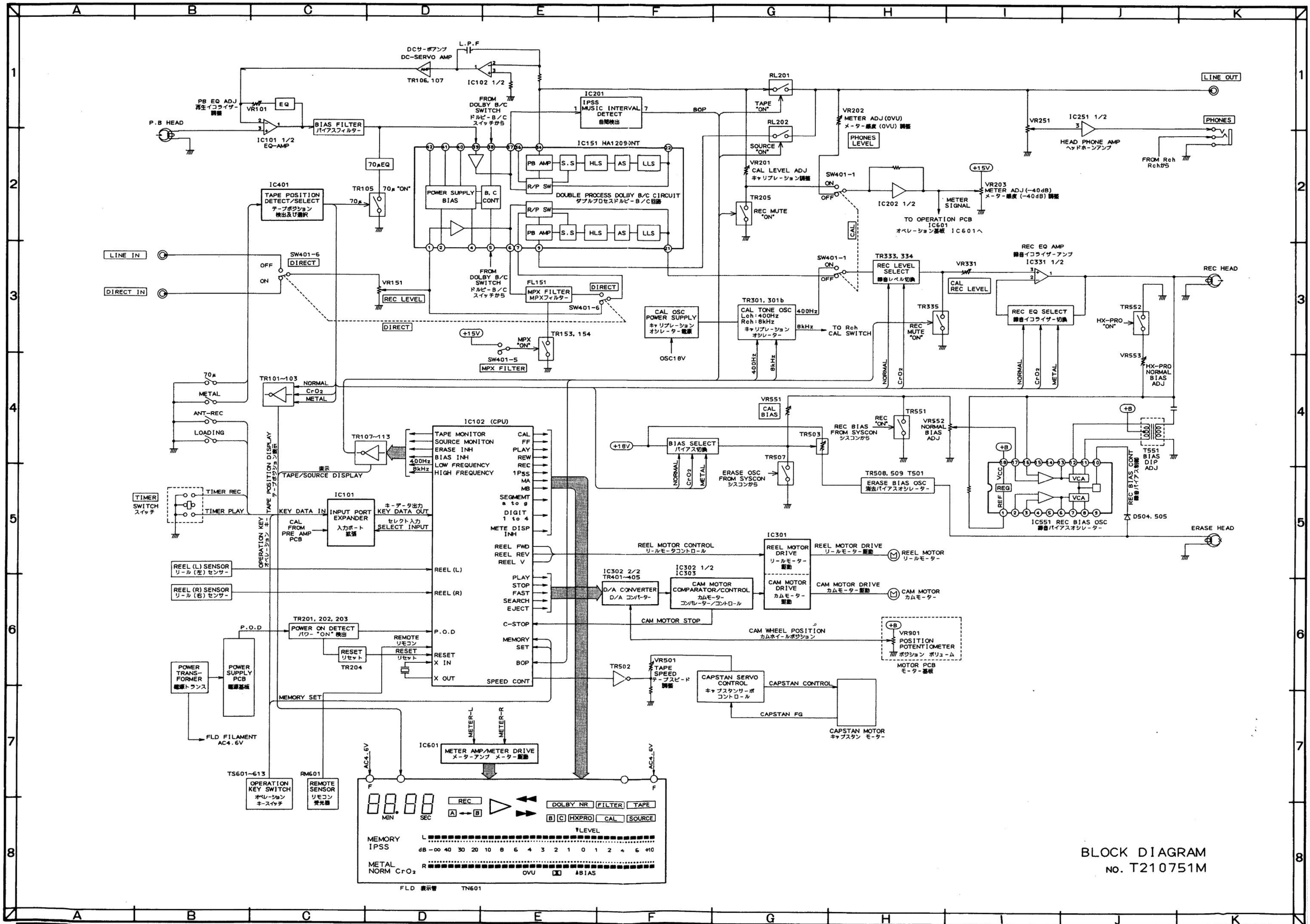
TRANSISTOR	
TR101.....C2	TR203.....F5
TR102.....C1	TR204.....E1
TR103.....C2	TR205.....E5
TR104.....C2	TR206.....E5
TR105.....C1	TR207.....F5
TR106.....C2	TR208.....E5
TR107.....D6	TR301.....E3
TR108.....D5	TR302.....E3
TR109.....D5	TR303.....E2
TR110.....C4	TR401.....E6
TR111.....D4	TR402.....E6
TR112.....C4	TR403.....E6
TR113.....C4	TR404.....E5
TR114.....C4	TR405.....E5
TR115.....D5	TR406.....E4
TR116.....D5	TR501.....E1
TR117.....D5	TR502.....E3
TR118.....F5	
TR201.....E1	
TR202.....F5	

注意: 点の付された部品は、安全上重要部品です。交換の際は、指定部品以外は使用しないこと。

WARNING: Δ INDICATES SAFETY CRITICAL COMPONENTS. FOR CONTINUED SAFETY, REPLACE SAFETY CRITICAL COMPONENTS ONLY WITH MANUFACTURER'S RECOMMENDED PARTS.
 AVERTISSEMENT: Δ IL INDIQUE LES COMPOSANTS CRITIQUES DE SÉCURITÉ. POUR MAINTENIR LE DEGRÉ DE SÉCURITÉ DE L'APPAREIL, NE REMPLACER QUE DES PIÈCES RECOMMANDÉES PAR LE FABRICANT.

Δ PNP TRANSISTOR
 トランジスタ
 \square NPN TRANSISTOR
 トランジスタ





BLOCK DIAGRAM
NO. T210751M

ABBREVIATIONS FOR SERVICE MANUAL (CASSETTE)

Abbreviation	Explanation	Abbreviation	Explanation
AC	Alternating Current	MICOM	MicroCOMputer
A/D	Analog/Digital	MIN	MINute
AF	Auto Fader	MML	Maximum Modulation Level
A.M	Auto Mute	MOL	Maximum Output Level
AMP	AMPLifier	MPX	Multi Plex
AR	Anti Recording	NC	Not Connected (No Connection)
AT BIAS	Auto Tuning BIAS	NFB	Negative Feed Back
ATT	ATTenuator	NORM	NORMAl
BAL	BALance	NR	Noise Reduction
BEF	Band Elimination Filter	OSC	OSCillator (OSCillation)
BSS	Blank Search System	P	Pulse
BSPS	Blank Skip Play System	PB	Play Back
CAP M	CAPsTan Motor	QMSS	Quick Memory Search System
CH	CHannel	QR	Quick Reverse
COMP	COMParator	R CH	Right CHannel
CONT	CONTinuanance	REC	RECord (RECording)
CRLP	Computer Recording Level Processing	REV	REVerse
CS	Chip Select	ROT	ROTation
D/A	Digital/Analog	REW	REWind
DC	Direct Current	SEC	SECOnd
DET	DETECTOR	SELE	SELEctor
DISCRI	DISCRIminator	SENS	SENSitivity
DUB	DUBbing	SEPP	Single Ended Push Pull
EQ	EQUALizer	SIG	SIGNAL
FF(or F.FWD)	Fast Forward	SPECT	SPECTrum
FLD	FLuorescent Display	STD	STAnDard
FREQ	FREQUENCY	SW	SWitch
FWD	ForWarD	SYSCON	SYStem CONtrol
GND	GrouND	TP	Test Point
H	High	TRIG	TRIGa
HPF	High Pass Filter	VCA	Voltage Control Attenuator
IND	INDicator	VOL	VOLUME
IPLS	Instant Program Location System	VOLT	VOLTage
L	Low	VR	Variable Resistor
L CH	Left CHannel	X'TAL	cysTAL
LED	Light Emiting Diode	X1	Normal speed
MEMO	MEMOry	X2	Dubble speed

AKAI ELECTRIC CO., LTD.

12-14, 2-Chome, Higashi-Kojiya, Ohta-Ku, Tokyo, Japan

SERVICE DEPARTMENT TEL: Tokyo(745)9884 TOKYO TELEX: J26261

Printed No. 880920-A1-2300

Printed Date: October 26, 1988

350 Printed in Japan