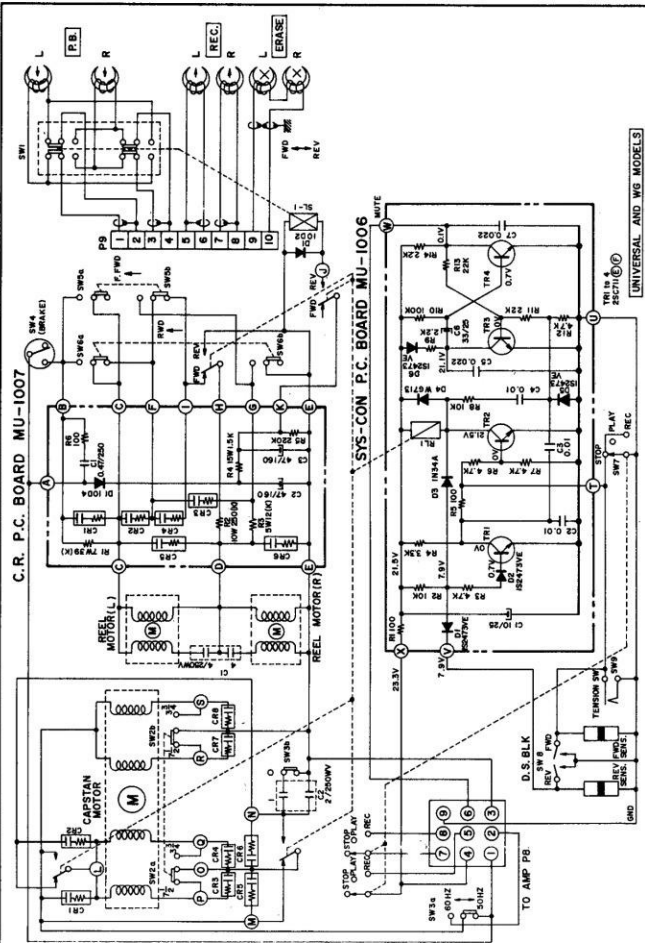


NOTE:  
UNLESS OTHERWISE SPECIFIED  
ALL RESISTORS IN A /W/L/J  
POWER TRANSFORMER BLOCK S  
DIFFERENT ACCORDING TO AREA SHOWN AS ABOVE

**GX-210D  
SCHEMATIC DIAGRAM  
NO.2-1 1480234A**

PC



NOTE  
UNLESS OTHERWISE SPECIFIED  
ALL CAPACITORS IN  $\mu$ F 50V V.(L)  
RESISTORS IN OHMS 1/2W 5%  
SMALL DIMENSIONS ON ONE SIDE ONLY  
PARENTHESES ( ) ARE LOCATED ON  
MECHANISM BLOCK IF DIFFERENT  
ACCORDING TO AREA.

