

008364

SERVICE MANUAL

PARTS LIST

AKAI STEREO TAPE RECORDER

MODEL **GXC-65**

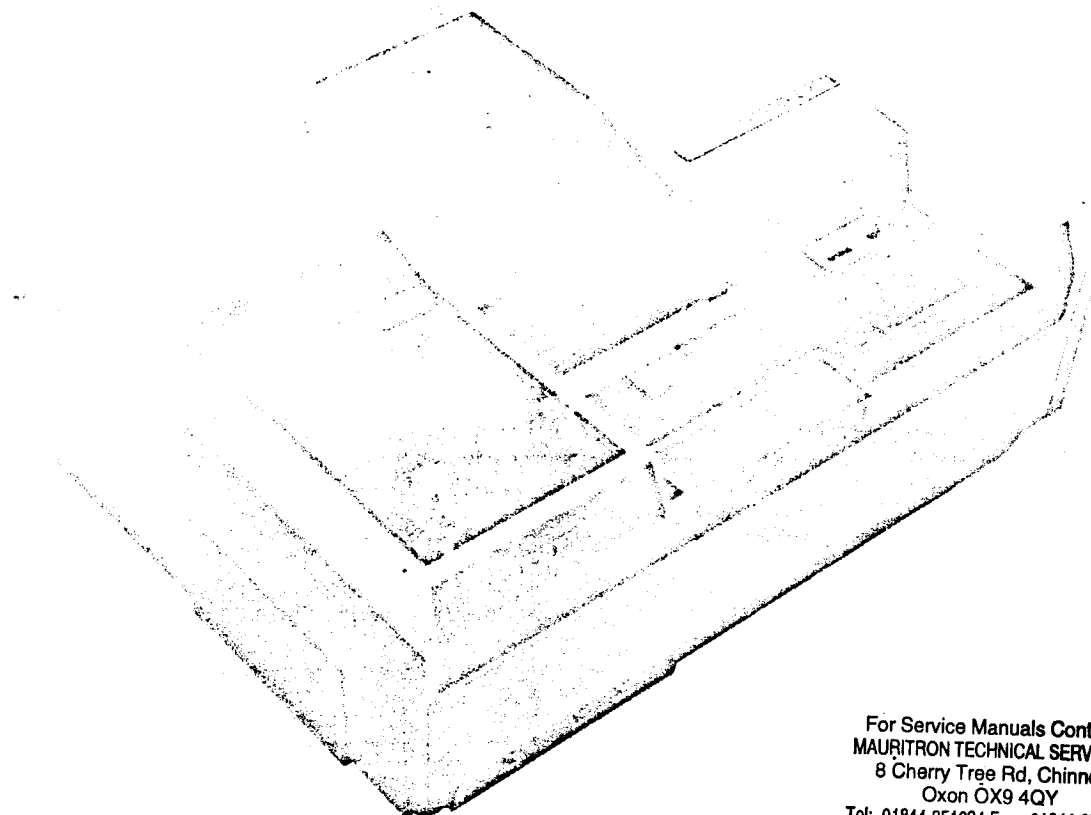
ALSO APPLICABLE TO MODEL GXC-65D,
GXC-60 & GXC-60D

For Service Manuals Contact
MAURITRON TECHNICAL SERVICES
8 Cherry Tree Rd, Chinnor
Oxon OX9 4QY
Tel:- 01844-351694 Fax:- 01844-352554
Email:- enquiries@mauritron.co.uk

AKAI

GXC 65

ALSO APPLICABLE TO MODEL GXC-65D, GXC-60D
CASSETTE STEREO TAPE DECK AND
GXC-60 CASSETTE STEREO TAPE RECORDER



For Service Manuals Contact
MAURITRON TECHNICAL SERVICES
8 Cherry Tree Rd, Chinnor
Oxon OX9 4QY
Tel:- 01844-351694 Fax:- 01844-352554
Email:- enquiries@mauritron.co.uk

CASSETTE STEREO TAPE RECORDER

MODEL **GXC-65**

ALSO APPLICABLE TO MODEL GXC-65D, GXC-60D
CASSETTE STEREO TAPE DECK AND
GXC-60 CASSETTE STEREO TAPE RECORDER

SECTION 1	SERVICE MANUAL	2
SECTION 2	PARTS LIST	23
SECTION 3	SCHEMATIC DIAGRAM	48

For Service Manuals Contact
MAURITRON TECHNICAL SERVICES
8 Cherry Tree Rd, Chinnor
Oxon OX9 4QY
Tel:- 01844-351694 Fax:- 01844-352554
Email:- enquiries@mauritron.co.uk

SECTION 1
SERVICE MANUAL

TABLE OF CONTENTS

I. SPECIFICATIONS	3
II. MEASURING METHOD	4
III. DISMANTLING OF UNIT	6
IV. MECHANISM ADJUSTMENTS	7
V. HEAD ADJUSTMENT	11
VI. AMPLIFIER ADJUSTMENTS	12
VII. COMPOSITE VIEWS OF COMPONENTS.....	17

I. SPECIFICATIONS

An asterisk next to a figure indicates the minimum guaranteed performance.

TRACK SYSTEM	4-track 2-channel stereo system	
TAPE SPEED	1-7/8 ips $\pm 2\%$ (* $\pm 3\%$)	
WOW AND FLUTTER	Less than 0.12% R.M.S. (*0.27% R.M.S.)	
FREQUENCY RESPONSE	Chrome Tape	30 to 18,000 Hz (*50 to 15,000 Hz $\pm 3\%$)
	Low Noise Tape	30 to 16,000 Hz (*50 to 13,000 Hz $\pm 3\%$)
SIGNAL TO NOISE RATIO	GXC-65/D	Better than 50 dB (*43 dB) Better than 58 dB with Dolby process
	GXC-60/D	Better than 50 dB (*43 dB) Better than 54 dB with Akai A.N.R. process
DISTORTION	Less than 2% (*3%) at 1,000 Hz "0" VU recording	
CROSS TALK	Better than 25 dB	
ERASE RATIO	Better than 70 dB	
BIAS FREQUENCY	61 ± 3 kHz	
BIAS LEAK	Less than -50 VU	
OUTPUTS	Line output	0 ± 1.5 dB (0.775V), using a 333 Hz pre-recorded tape
	Din output	0.4V
	Phone output	30 mV at 8 Ω
	Speaker output	6W (*4W) each channel at 8 Ω (Recorder type only)
INPUTS	Mic input	More than 0.4 mV Impedance: 4.7 k Ω
	Line input	More than 50 mV (*70 mV) Impedance: 200 k Ω
	Din input	More than 7 mV (low) and 70 mV (high)
RECORDING CAPACITY	1 hour stereo recording, using a C-60 cassette tape	
F. FWD AND RWD TIME	68 sec., using a C-60 cassette tape	
HEADS	Recording/Playback Head	4-track 2-channel GX Recording/Playback Head Type: P4-330 Gap: 1.4 to 1.9 microns Impedance: 1,200 $\Omega \pm 20\%$ at 1 kHz
	Erase Head	2-track 1-channel Erase Head Type: E4-150 Gap: 0.3 mm Impedance: 195 $\Omega \pm 10\%$ at 100 kHz
MOTOR	Hysteresis Synchronous outer-rotor motor Type: HM-12CS Revolutions: 1,500/1,800 r.p.m. at 50/60 Hz	
TRANSISTORS		4 ... 2SC458LG (C) 6 ... 2SC711 (E) (F) 2 ... 2SC968 (2) (3) (red) 1 ... 2SC1061 (C) (D) 1 ... 2SC1098 (K) (L) Dolby Circuit 2 ... 2SA564 (Q) 6 ... 2SC458LG (C) (D) 6 ... 2SC458 (C) A.N.R. Circuit 6 ... 2SC458LG (C) 4 ... 2SC711 (E) Power Amplifier Circuit 2 ... 2SA636 (K) (L) 2 ... 2SC871 (E) (F) 2 ... 2SC971 (2) (3) (red) 2 ... 2SC1098 (K) (L)
F.E.T.	2 ... 2SK30 (GR)	
I.C.	2 ... LD3141	
THERMISTERS	2 ... 42D26	
VARISTORS	4 ... RV	
DIODES		16 ... 1BA459 3 ... 10D1 2 ... 1N34A 1 ... 10DC1 (black) 1 ... BZ240 1 ... 10DC1 (red) 2 ... WG1010A Dolby Circuit 6 ... 1BA459 4 ... 1N34A A.N.R. Circuit 4 ... 1BA459
POWER SUPPLY	100 to 240V A.C. 50/60 Hz for Universal and WG Models 120V A.C. 60 Hz for AAL Models	
POWER CONSUMPTION	50W: Recorder Type 20W: Deck Type	
INSULATION DURABILITY	500V D.C. for 1 min. duration: Universal and WG Models 350V A.C. for 1 min. duration: AAL Models	
DIMENSIONS	415 (W) x 180 (H) x 290 (D) mm (16.6" x 7.2" x 11.6")	
WEIGHT	10.1 kg (22.2 lbs.): GXC-65 9.2 kg (20.2 lbs.): GXC-65D 10 kg (22 lbs.): GXC-60 9.1 kg (20 lbs.): GXC-60D	

NOTE: Specifications subject to change without notice.

II. MEASURING METHOD

1. TAPE SPEED DEVIATION

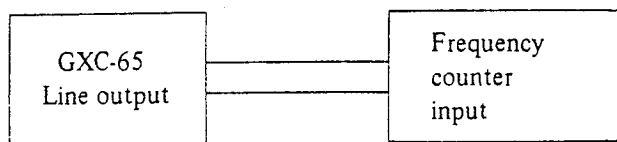


Fig. 1

As shown in Fig. 1, connect a Frequency Counter to the Line Output. Take a frequency counter reading at the beginning, middle, and end of tape winding during playback. The maximum value of these respective readings will represent tape speed deviation.

2. WOW AND FLUTTER

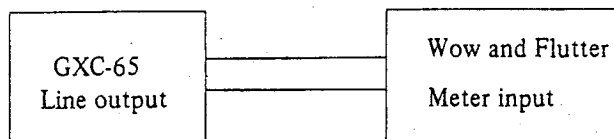


Fig. 2

Method A

As shown in Fig. 2, connect the Line Output to the Input of a Wow and Flutter Meter. Use a 3,000 Hz pre-recorded test tape and take a wow and flutter meter reading at the beginning, middle, and end of tape winding. The maximum value of these respective readings will represent the wow and flutter.

Method B

Supply a 3,000 Hz sine wave signal from an Audio Frequency Oscillator and make a recording on a blank tape at the beginning, middle, and end of tape winding. Rewind and play tape. Measure wow and flutter with a Wow and Flutter Meter. (The wow and flutter value of Method B will be close to twice that of Method A.)

3. FREQUENCY RESPONSE

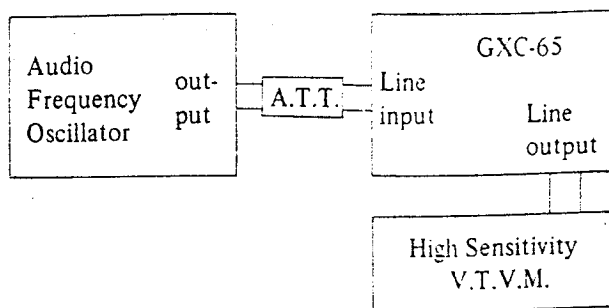


Fig. 3

For measuring frequency response, connect instruments as shown in Fig. 3 and proceed as follows:

- 1) Supply a 1,000 Hz sine wave to the Line Input from an Audio Frequency Oscillator through an Attenuator. Set recorder to recording mode and turn recording level control volume and volume control to maximum. Adjust attenuator to obtain a 0 dB V.T.V.M. reading.
- 2) Under conditions described in 1) above, re-adjust attenuator so that the Line Output is -20 dB, and record 50 to 13,000 Hz spot frequencies.
- 3) Rewind the tape and playback from the beginning. Take V.T.V.M. spot frequency readings and plot values on a graph.

NOTE: When measuring frequency response, new tape should be used.

4. SIGNAL TO NOISE RATIO

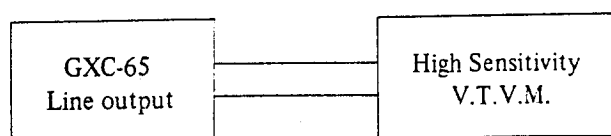


Fig. 4

As shown in Fig. 4, connect a High Sensitivity V.T.V.M. to the Line output. Playback a 333 Hz "0" VU pre-recorded test tape and measure the output. Then remove the tape and measure the noise level under the same condition. Convert each of the measured values into decibels.

For Service Manuals Contact
MAURITRON TECHNICAL SERVICES
8 Cherry Tree Rd, Chinnor
Oxon OX9 4QY
Tel: 01844-351694 Fax: 01844-352554
Email: enquiries@mauritron.co.uk

5. TOTAL HARMONIC DISTORTION FACTOR

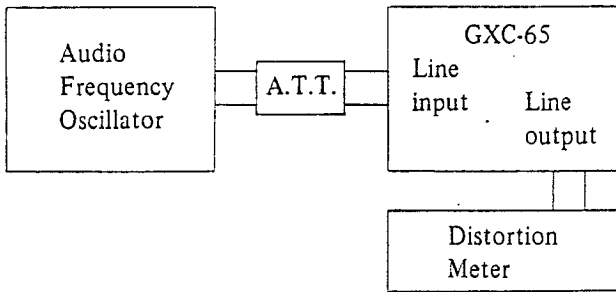


Fig. 5

Connect the measuring instruments as shown in Fig. 5 and record a 1,000 Hz sine wave signal at "0" VU. Playback the resultant signal and measure the overall distortion factor. Measure the noise level of the tape recorder without the tape. Connect the audio frequency oscillator directly to the distortion meter for measurement of the distortion factor of the oscillator. The required distortion factor can be obtained from the results of the above measurement by the following formula:

$$d_0 = d - d_1 - d_2$$

where, d_0 = Required distortion factor
 d = Overall distortion factor
 d_1 = Noise level
 d_2 = Distortion factor of the oscillator

NOTE: When measuring the distortion factor, new tape should be used.

6. CROSS TALK (Cross talk between the channels)

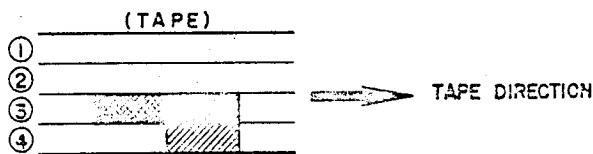


Fig. 6

As shown in Fig. 6, first record a 1,000 Hz sine wave signal on Track No. 3 at +3 VU level. Next, record under a non-input condition. Then, playback the tape on Tracks No. 3 and 4 through the B.P.F. (band pass filter sensitivity ... 1:1) and obtain a ratio between the two from the following formula:

$$C = 20 \log \frac{E_0}{E_2 - E_1} \text{ (dB)}$$

where, C = Desired cross talk ratio (dB)
 E_0 = 1,000 Hz signal output level
 E_2 = 1,000 Hz cross talk level
 E_1 = Non-input signal recorded level

7. ERASE RATIO

As shown in Fig. 4, connect a High Sensitivity V.T.V.M. to the Line Output. Playback a virgin tape and take a V.T.V.M. reading of the output level. Next, record a 1,000 Hz sine wave signal at +3 VU, then playback this recorded signal and take a V.T.V.M. reading of the output level. Next, using this pre-recorded tape, record under a non-input condition and take a reading of the noise level output of the erased signal and obtain a ratio between the two from the following formula:

$$E_r = 20 \log \frac{E_0}{E_2 - E_1} \text{ (dB)}$$

where, E_r = Desired erase ratio (dB)
 E_0 = 1,000 Hz signal output level
 E_2 = Non-input signal recorded level
 E_1 = Virgin tape noise output level

8. POWER OUTPUT

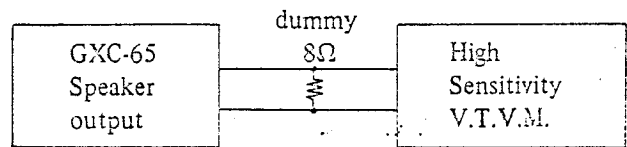


Fig. 7

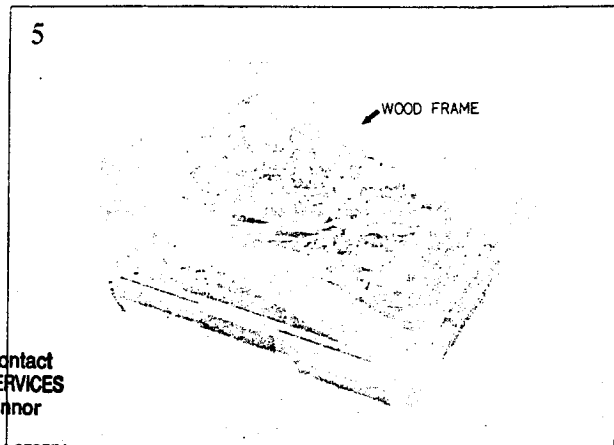
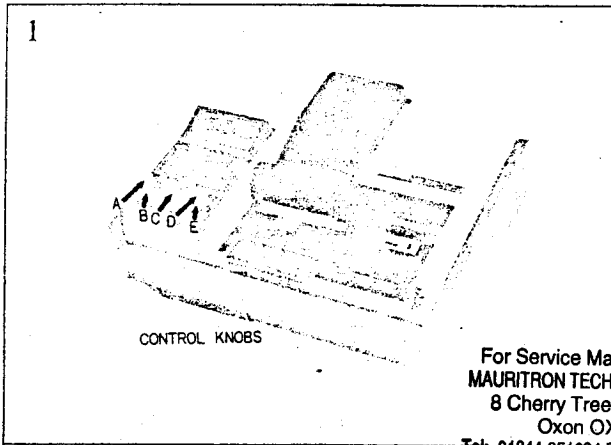
As shown in Fig. 7, connect an 8Ω dummy load resistor to the speaker output and connect this terminal to a High Sensitivity V.T.V.M. Playback a 333 Hz "0" VU pre-recorded test tape and take a V.T.V.M. reading of the output level. The resultant output can be obtained from the results of the above measurement by using the following formula:

$$P = \frac{E^2}{R} \text{ (W)}$$

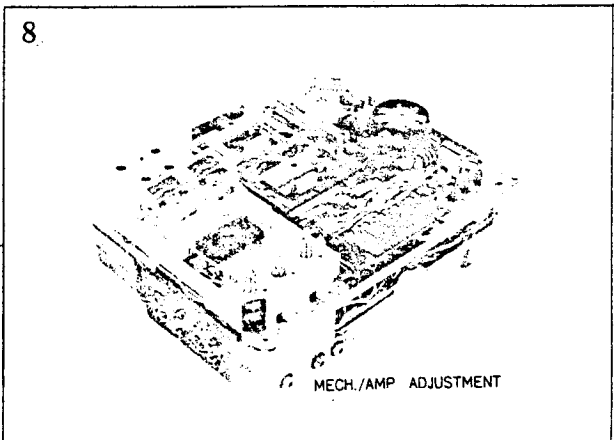
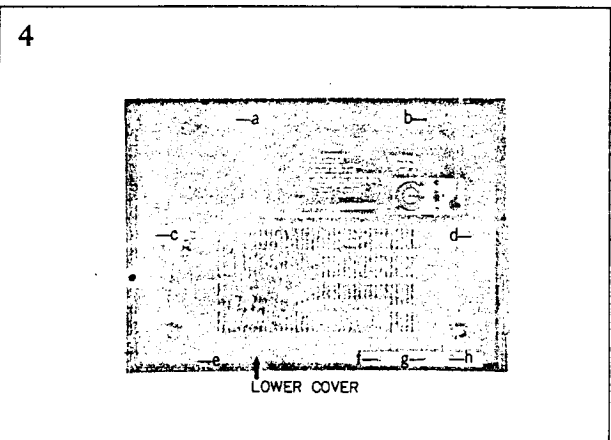
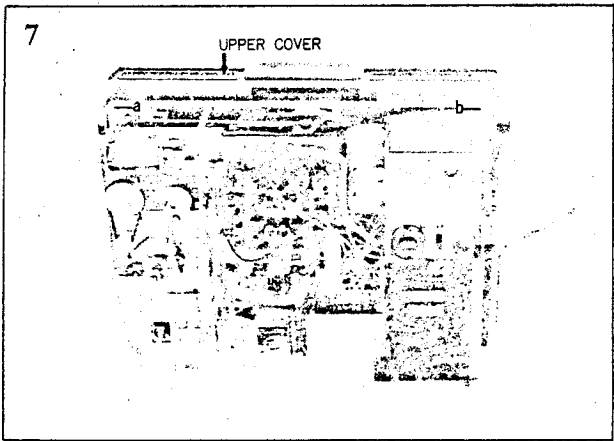
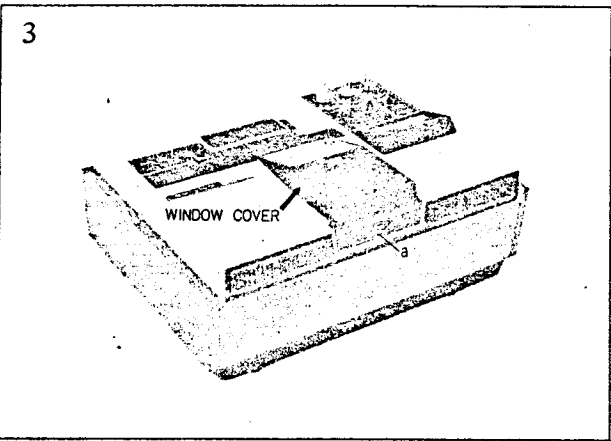
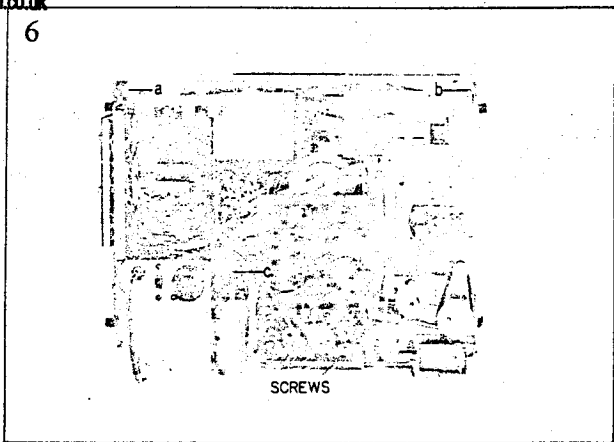
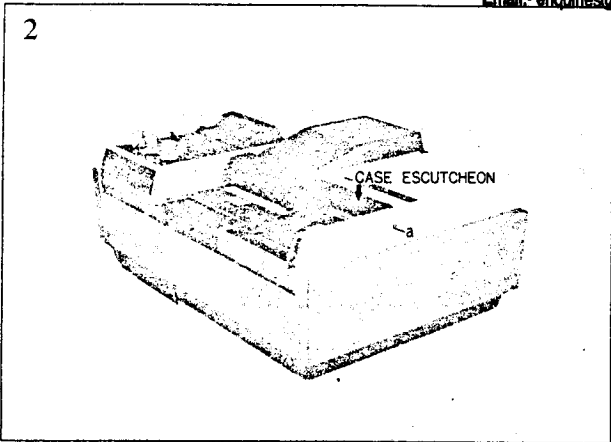
where, P = Desired power output (watts)
 E = Measured voltage (R.M.S.)
 R = 8Ω

III. DISMANTLING OF UNIT

In case of trouble, etc. necessitating disassembly, please disassemble in the order shown in photographs. Reassemble in reverse order.



For Service Manuals Contact
MAURITRON TECHNICAL SERVICES
8 Cherry Tree Rd, Chinnor
Oxon OX9 4QY
Tel: 01844-351694 Fax: 01844-352554
Email: enquiries@mauritron.co.uk



IV. MECHANISM ADJUSTMENTS

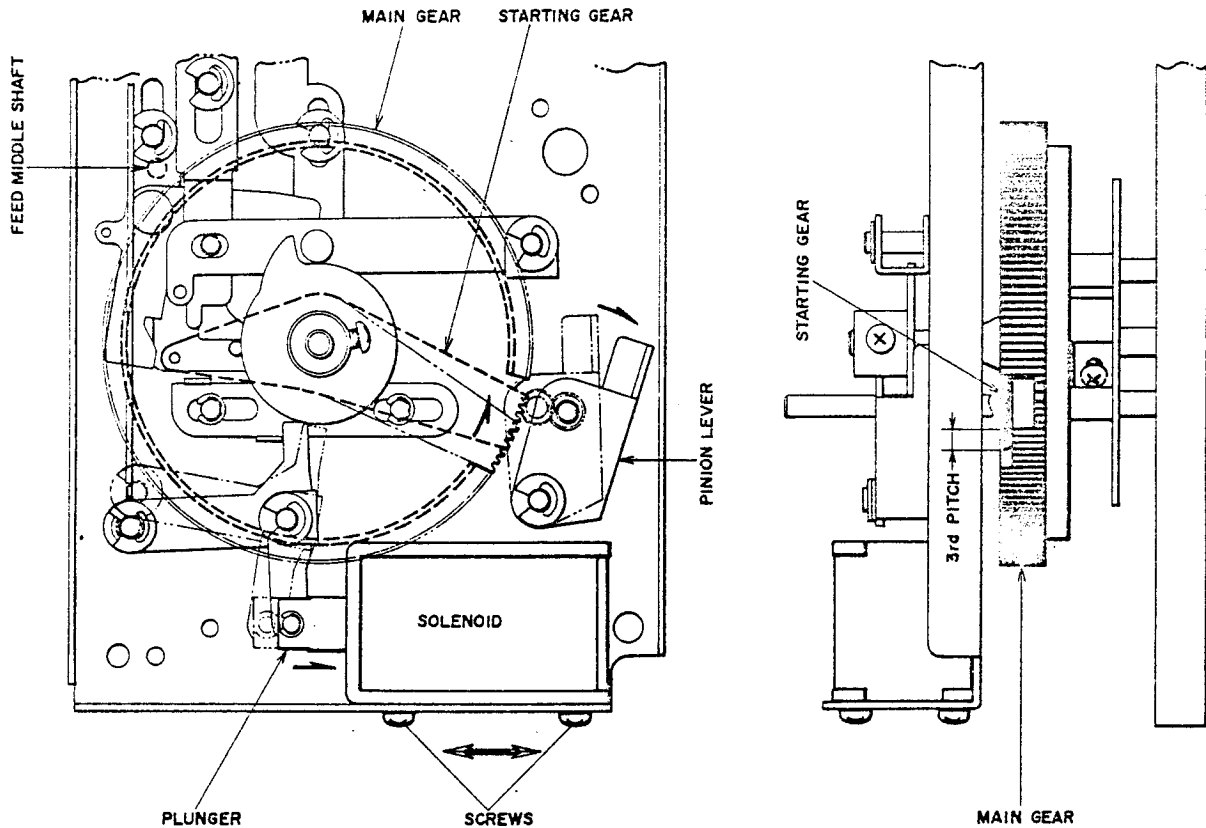


Fig. 8

1. PLUNGER SOLENOID POSITION ADJUSTMENT

- 1) Confirm that the main gear is at a neutral point.
- 2) Depress Recorder Automatic Reverse Button.
- 3) As shown in the diagram, pull the pinion lever as far away from the main gear as it will go in the direction of the arrow. (At this time, the starting gear will move in the direction of the arrow)
- 4) Loosen the screws and adjust the position of the solenoid to the left and right as shown by the arrows in the figure so that the position of the starting gear (center of diagram) from the bottom to the third pitch is parallel with the pitch of the main gear.

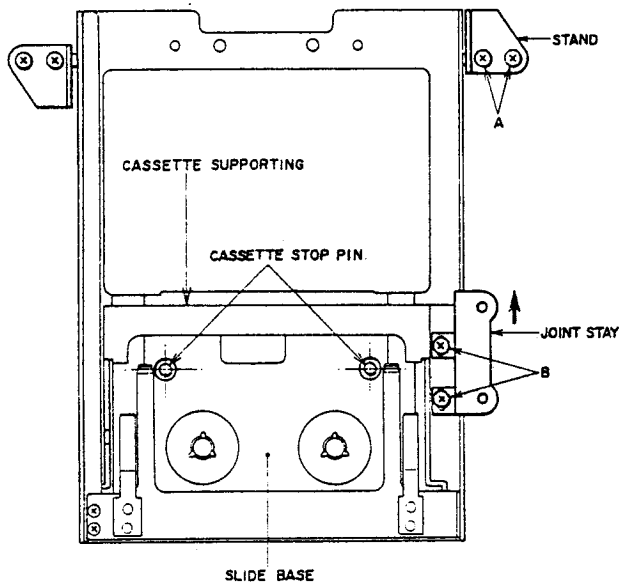
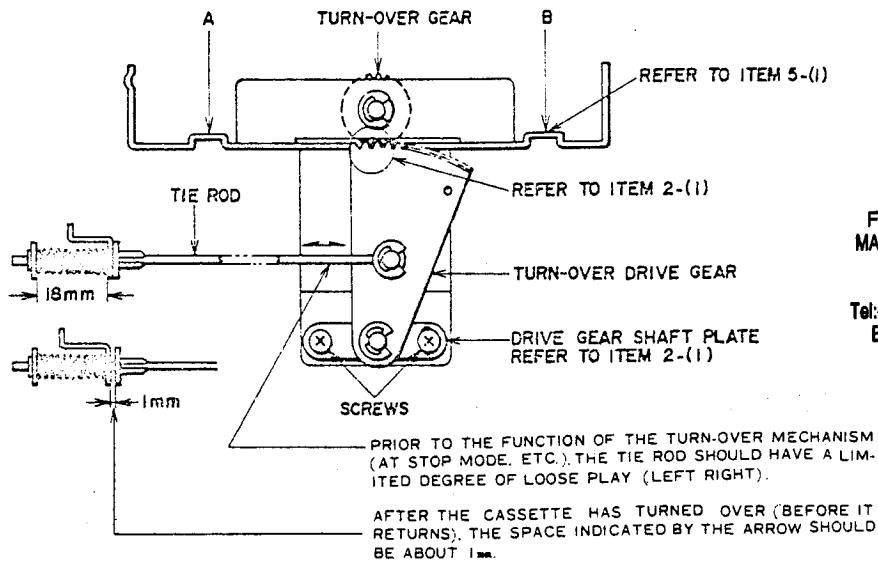


Fig. 9

NOTE: When installing the sub-chassis, as shown in Fig. 8, make sure that the Feed Middle Shaft of the main chassis is inserted through the hole of the sub-chassis, and then tighten the various sub-chassis fixation screws.

2. TURN-OVER BRANCH ADJUSTMENT

- 1) Turn-over block assembly installation precautions (See Fig. 9)
 - a. When the cassette stop pin comes to the center of the opening in the slide base, tighten stand fixation screws (A).
 - b. With the joint stay as far toward the arrow as possible, confirm that screws (B) are very tight.
- 2) Set turn-over drive gear so that prior to function of the turn-over gear mechanism (at stop mode, etc.), the pitch of the turn-over drive gear is off by one pitch in relation to the turn-over gear. (See Fig. 10)



For Service Manuals Contact
MAURITRON TECHNICAL SERVICES
 8 Cherry Tree Rd, Chinnor
 Oxon OX9 4QY
 Tel: 01844-351694 Fax: 01844-352554
 Email: enquiries@mauritron.co.uk

Fig. 10

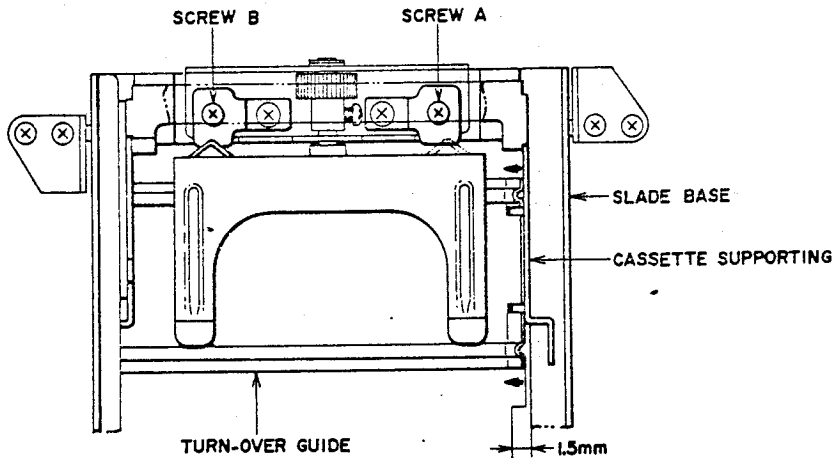


Fig. 11

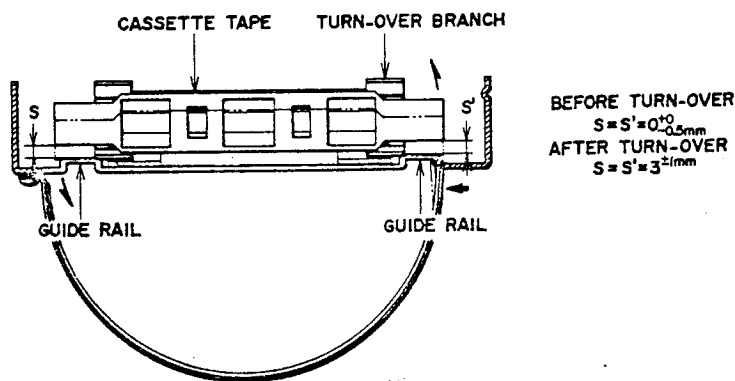


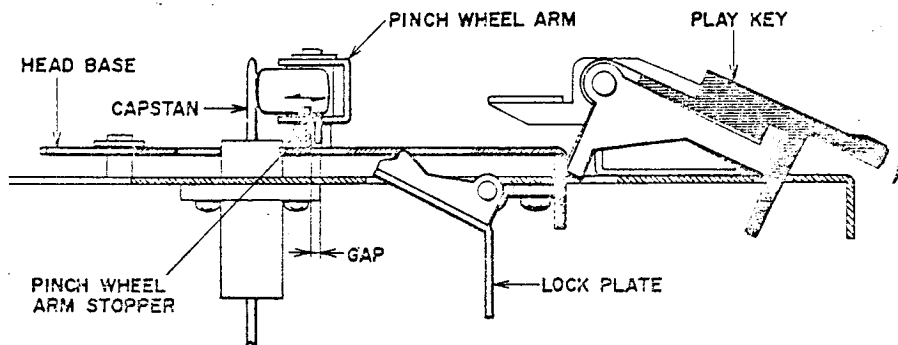
Fig. 12

3. TURN-OVER GUIDE ADJUSTMENT (See Fig. 11)

Bend the turn-over guide inwardly about 1.5 mm from the slide base so that when cassette turn-over takes place, the cassette turns over smoothly and does not catch on the cassette supporting.

4. TURN-OVER BRANCH BALANCE ADJUSTMENT

- 1) Adjust Screw A shown in Fig. 11 so that when the cassette has entered the turn-over branch, spaces S and S' between the cassette tape and the guide rail are equal as shown in Fig. 12.
- 2) Following cassette turn-over, adjust Screw B shown in Fig. 11 so that spaces S and S' between the cassette tape and the guide rail are equal as shown in Fig. 12.



A - A

Fig. 13

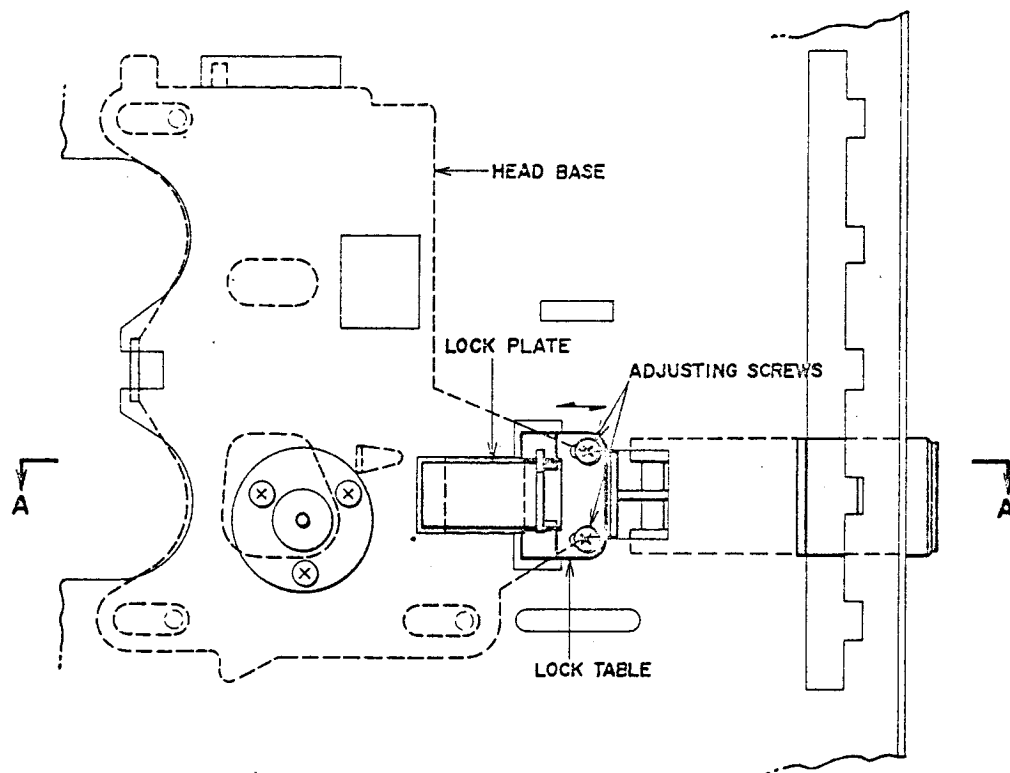


Fig. 14

5. HEIGHT ADJUSTMENT IN RELATION TO CASSETTE TAPE GUIDE RAIL (See Fig. 12)

- 1) Bend the cassette guide rail at points A and B as shown in Fig. 10 so that the height of the cassette tape after the cassette has turned over is about 3 mm higher than the guide rail.
- 2) Confirm that the height of the cassette tape prior to cassette turn-over is about 0.5 mm lower than the guide rail.

6. GAP ADJUSTMENT (Between Pinch Wheel Arm and Pinch Wheel Arm Stopper)

During Playback Mode, loosen screws (shown in Fig. 14) and adjust the lock table by moving to left and right as indicated by the arrows so that while the Play Key is at depressed position (dotted line, Fig. 13), the gap between the pinch wheel arm and the pinch wheel stopper is about 2 mm, and further, while the Play Key is released (solid line, Fig. 13), the gap is about 1 mm.

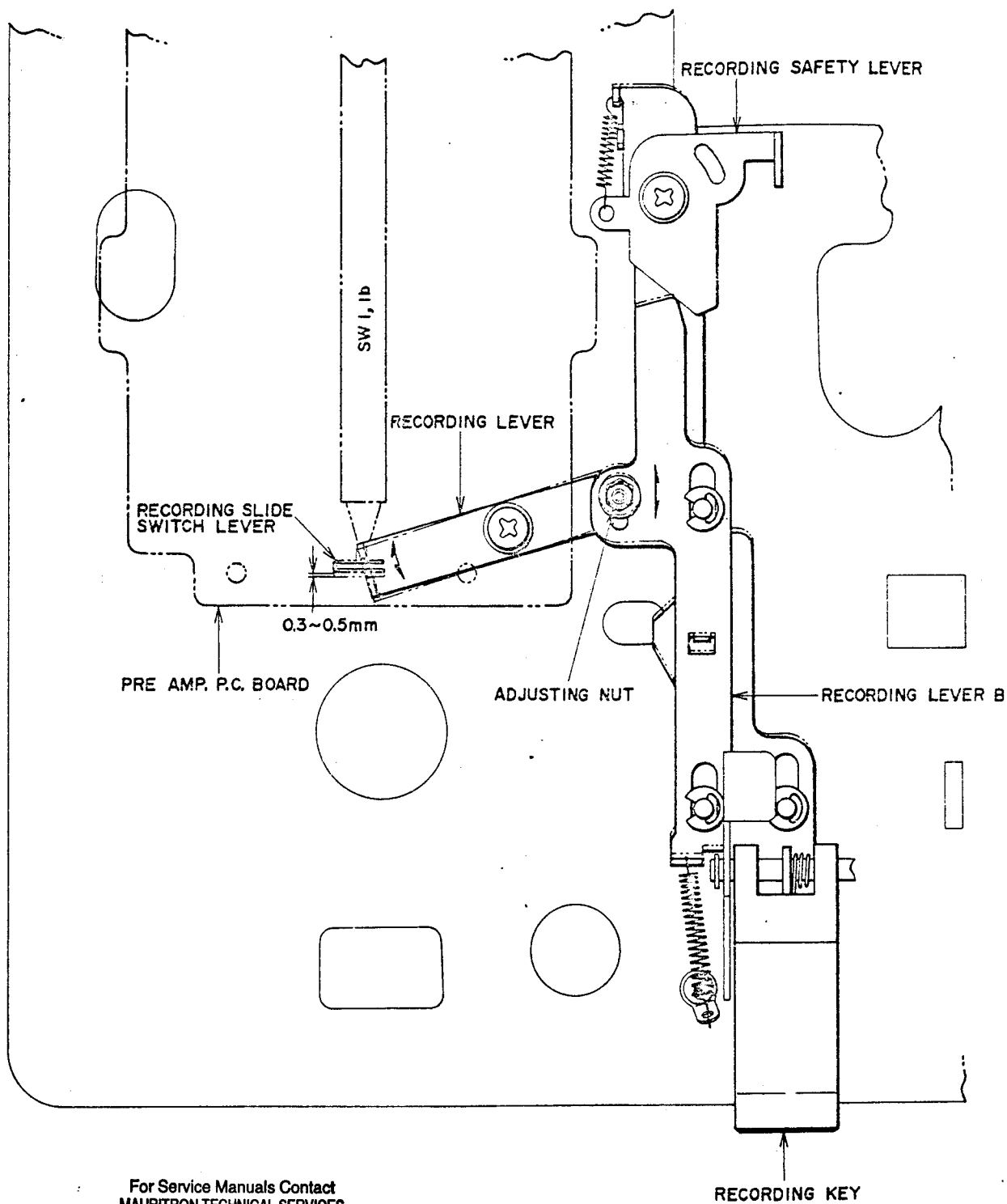


Fig. 15

For Service Manuals Contact
MAURITRON TECHNICAL SERVICES
 8 Cherry Tree Rd, Chinnor
 Oxon OX9 4QY
 Tel: 01844-351694 Fax: 01844-352554
 Email: enquiries@mauritron.co.uk

7. RECORDING LEVER STROKE ADJUSTMENT (See Fig. 15)

Loosen Adjusting nut and adjust recording lever strokes so that the stroke tolerance of Recording Lever B is 0.3 to 0.5 mm when the recorder is set to recording mode and the Recording Key is depressed, and also when the recording key is released.

V. HEAD ADJUSTMENT

For Service Manuals Contact
MAURITRON TECHNICAL SERVICES
8 Cherry Tree Rd, Chinnor
Oxon OX9 4QY
Tel:- 01844-351694 Fax:- 01844-352554
Email:- enquiries@mauritron.co.uk

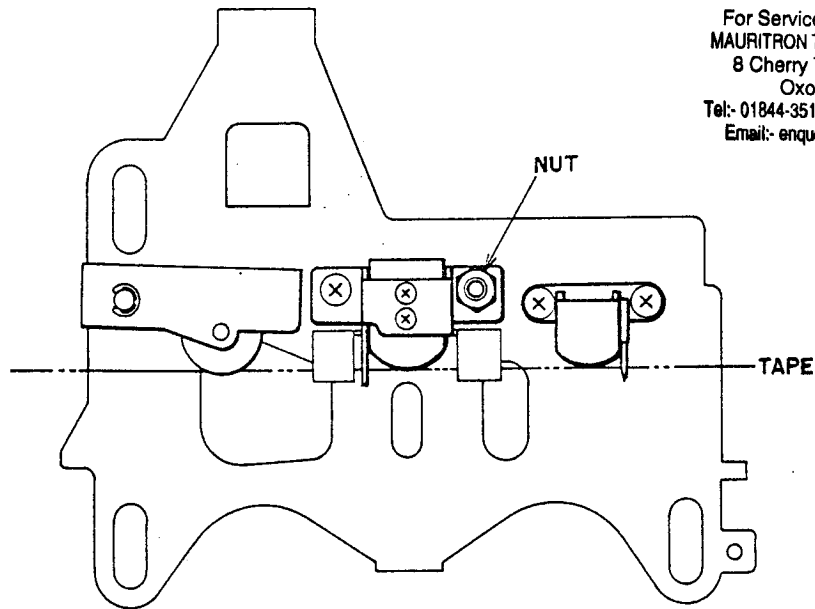


Fig. 16

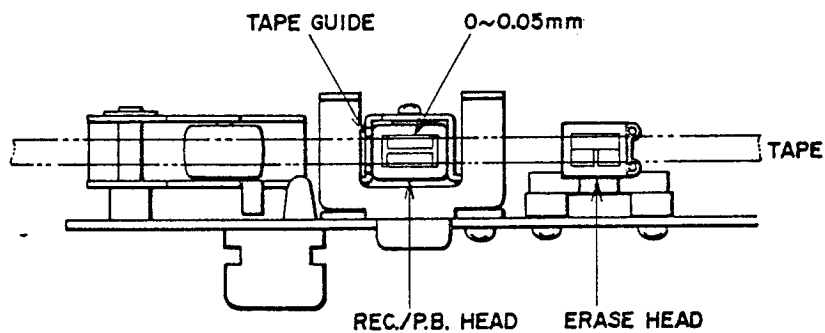


Fig. 17

RECORDING/PLAYBACK HEAD AZIMUTH ALIGNMENT ADJUSTMENT (See Figs. 16, 17)

- 1) Connect a High Sensitivity V.T.V.M. to the line output and playback a 10 kHz pre-recorded test tape.
- 2) Adjust Nut by turning to left and right so that the V.T.V.M. indication is maximum.
- 3) In the event of imperfect azimuth alignment, check Item 6 of Mechanism Adjustment procedure and if not perfect, readjust.
- 4) It is imperative that the heads be demagnetized following head adjustment.

VI. AMPLIFIER ADJUSTMENTS

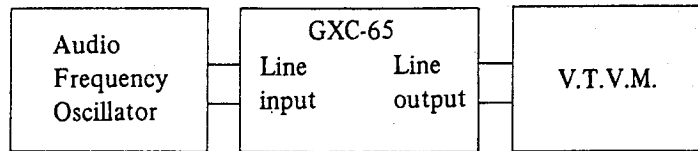


Fig. 18

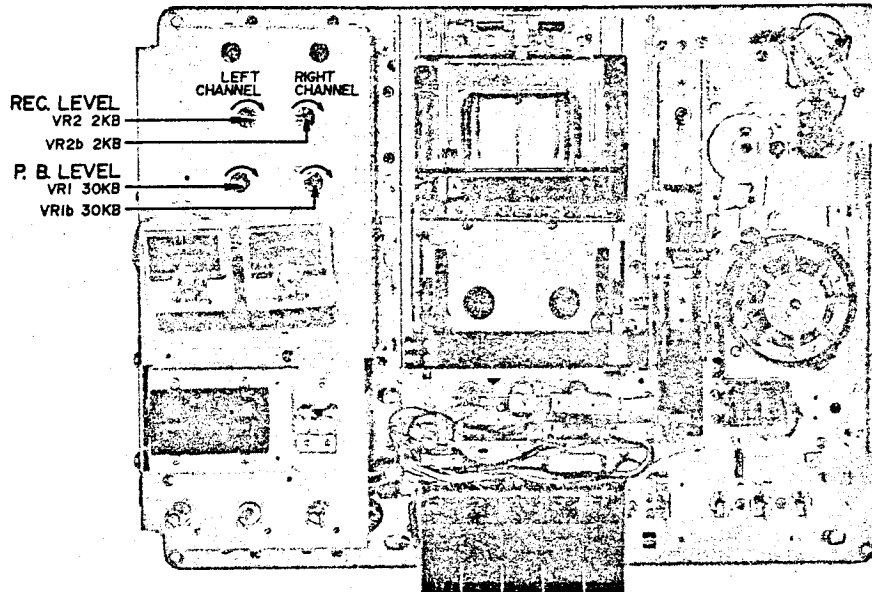


Fig. 19

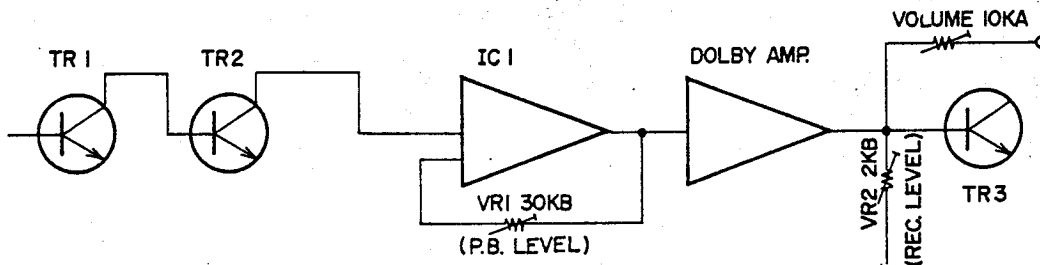


Fig. 20

1. PLAYBACK LEVEL ADJUSTMENT

(See Figs. 18 to 20)

- 1) Connect a High Sensitivity V.T.V.M. (Model 161A) to the Line Output.
- 2) Set volume control (10k A) to maximum (Deck type only).
- 3) Playback a 333 Hz "0" VU pre-recorded test tape and adjust semi-fixed resistors VR1 and VR1b (30k B) until the Line Output level reaches 0 dB (0.775V).
- 3) Supply a 1,000 Hz sine wave signal from an audio frequency oscillator through an Attenuator to the Line Input and adjust the attenuator so that the V.T.V.M. indicates 0 dB (VU meter needle indicates "0" VU).
- 4) After a few seconds of recording, playback the recorded tape from the starting point and check the V.T.V.M. indication.
- 5) If the Line Output does not reach 0 dB, repeat recording and playback procedure from Item 3), and adjust semi-fixed resistors VR2 and VR2b (2k B) until 0 dB is obtained.

2. RECORDING LEVEL ADJUSTMENT

(See Figs. 18 to 20)

- 1) Load a blank low noise tape and set Tape Selector to "LOW NOISE" position.
- 2) Set recorder to recording mode, and turn recording level control volume VR1a and VR1b (50k A) and volume control (10k A) to maximum (Deck type only).

3. RECORDING BIAS FREQUENCY MEASUREMENT AND ADJUSTMENT

- 1) Connect a frequency counter to points (A) and (B) in Fig. 21 of the REC. Head and read the frequency counter indication.
- 2) If the frequency counter reading is 61 ± 3 kHz, the recording bias frequency is correct.
- 3) If the recording bias frequency is incorrect, it can be adjusted by changing the value of capacitor C3 (3300P 500 WV) of the OSC. P.C. Board.

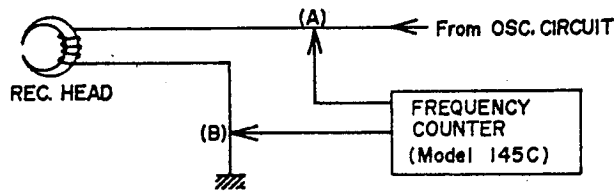


Fig. 21

For Service Manuals Contact
MAURITRON TECHNICAL SERVICES
 8 Cherry Tree Rd, Chinnor
 Oxon OX9 4QY
 Tel: 01844-351694 Fax: 01844-352554
 Email: enquiries@mauritron.co.uk

4. RECORDING BIAS VOLTAGE ADJUSTMENT (Frequency Response Adjustment) (See Figs. 22, 23)

Playback the 1,000 Hz and 10,000 Hz signals recorded in Frequency Response Measuring Method procedure and adjust Bias Adjustment semi-fixed resistor (VR-1, VR-2 500k B) as shown in Figs. 22, 23 so that the output level of these two frequencies are equal. The bias voltage at this time is from 4 to 26V A.C.

NOTE:

1. Electric shock will cause the GX Head to become magnetized and once the head becomes magnetized, distortion is predominant. Consequently, it is important that the heads always be demagnetized with a large type demagnetizer following bias voltage check.
2. On machines employing the bias adjustment circuits shown in (b) and (c) of Fig. 24, after the Rec/Playback Head has been replaced, it becomes impossible to adjust the bias voltage. In this case, replace with the circuit shown in (a) of Fig. 24 and adjust bias voltage.

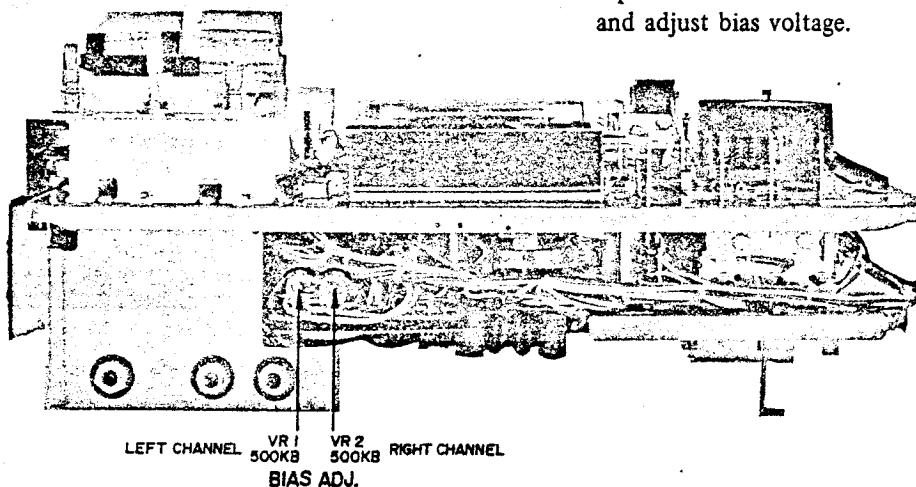


Fig. 22

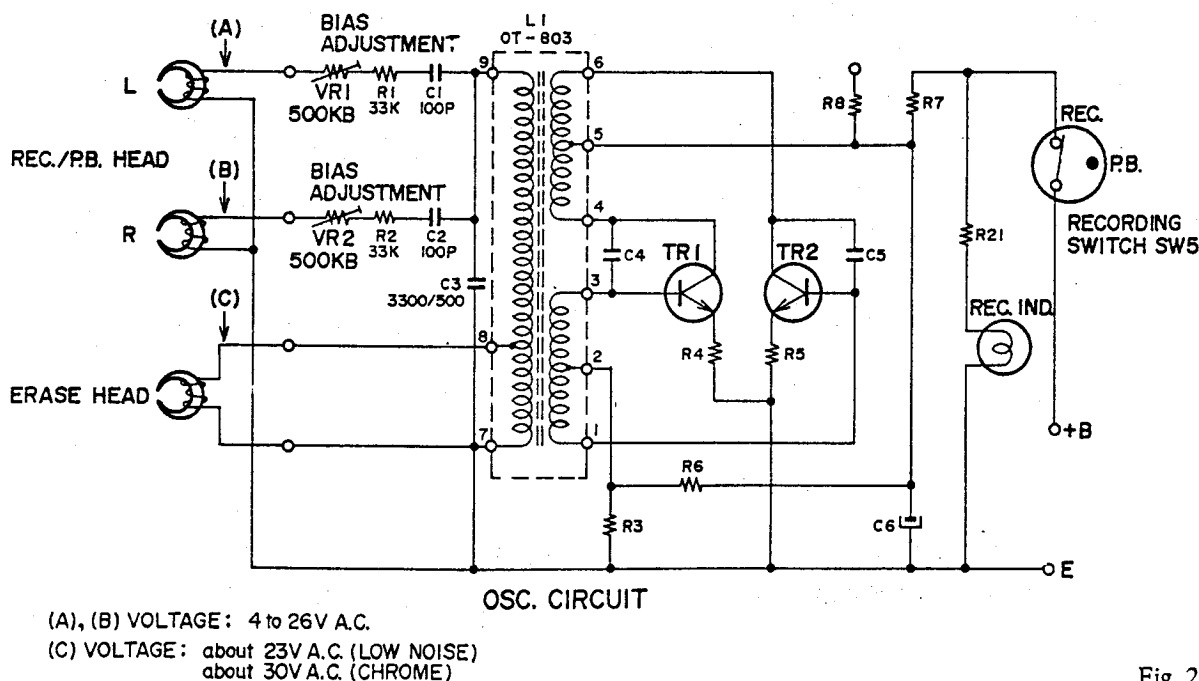


Fig. 23

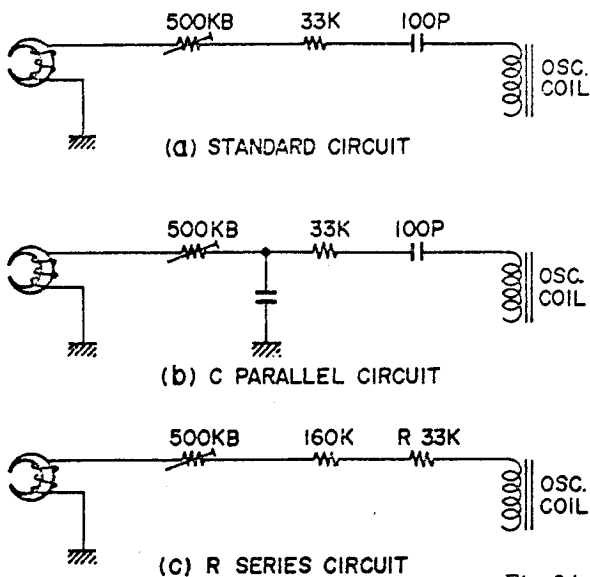


Fig. 24

5. ERASE VOLTAGE

There is no way to adjust the erase voltage, but correct erase voltage when the Tape Selector is set to "Normal" is about 21V and when set to "Special" about 28V.

6. DOLBY AMPLIFIER ADJUSTMENT

1) 19 kHz Filter Adjustment

- Connect the various measuring instruments as shown in Fig. 25.
- Using the Frequency Counter, set the oscillation frequency of the Audio Frequency Oscillator exactly 19 kHz and supply this signal to the line input.
- Set Recording Level Control Volume (VR1 and VR2 50k A) and Volume Control (VR3 and VR4) to "10" (maximum).

Note: In the case of Model GXC-65, the volume controls can be at any position.

- Set recorder to REC. mode, adjust the dust core of Coil L2 of the Dolby Amp. P.C. Board (CS-5326) to obtain minimum line output level.

2) Recording Circuit Adjustment

- Connect the various measuring instruments as shown in Fig. 21.
- Turn Dolby Amp. P.C. Board (CS-5326) Dolby Amp. Gain Adjustment semi-fixed resistors (VR2 and VR2b 500 B) as well as FET Gate Bias semi-fixed resistors (VR1 and VR1b 5k B) as far as they will go in the direction of the arrows shown in Fig. 26.
- Turn Dolby Switch (SW-10) to OFF position and, as shown in Fig. 26, ground Test Point "T.P." (FET Gate).
- Set the oscillation frequency of the Audio Frequency Oscillator to 6 kHz, and supply this signal to the line input.
- Set recorder to REC mode, and adjust the attenuator to obtain a 2 dB line output level.
- At this condition, further adjust the Attenuator so that the line output level at Point (D) shown in Fig. 26 is -28.5 dB. At this time, confirm that the level at Point (B) shown in Fig. 26 is -28.5 ± 0.5 dB.
- Turn Dolby Switch (SW-10) to ON position. At this time, adjust Dolby Amp. Gain Adjustment semi-fixed resistors (VR2, and VR2b 500 B) until the voltage at Point (B) shown in Fig. 26 is increased by 10 dB.
- Disconnect ground from Test Point "T.P." (FET Gate). At this time, adjust FET Gate Bias Adjustment semi-fixed resistors (VR1, and VR1b 5k B) so that the voltage at Point (B) shown in Fig. 26 is reduced by 2 dB.

3) Confirmation of Dolby Noise Reduction Operation at P.B. mode

- Connect the various measuring instruments as shown in Fig. 25.
- Supply a 5 kHz signal to the line input from the Audio Frequency Oscillator.
- Set recorder to REC mode, turn the Dolby Switch (SW-10) to OFF position, and adjust the attenuator to obtain a line output level of -25 dB.
- Playback the signal recorded in Item 3) and confirm that when the Dolby Switch (SW-10) is turned to ON position, the line output level is decreased by 10 dB ± 1 dB as compared to when the Dolby Switch is turned OFF.

For Service Manuals Contact
MAURITRON TECHNICAL SERVICES
 8 Cherry Tree Rd, Chinnor
 Oxon OX9 4QY
 Tel: 01844-351694 Fax: 01844-352554
 Email: enquiries@mauritron.co.uk

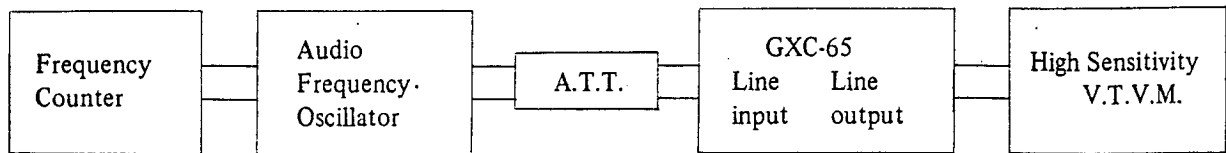


Fig. 25

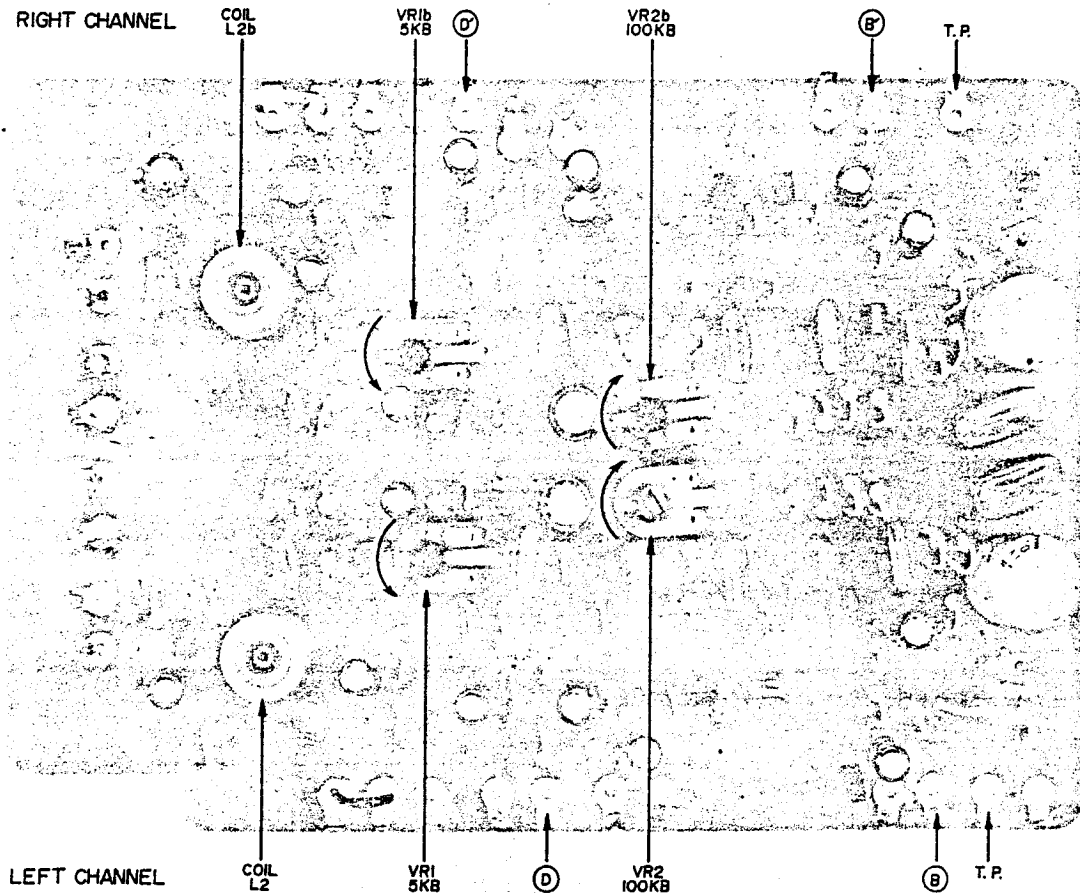


Fig. 26

7. AUTOMATIC NOISE REDUCTION AMPLIFIER ADJUSTMENT (GXC-60, GXC-60D only)

- 1) Connect the measuring instruments as shown in Fig. 25.
- 2) Set the Recording Level Control Volume (VR1, and VR2 50k A) and Volume Control (VR3, and VR4 10k A) to "10" position (maximum).
Note: In case of Model GXC-60, volume controls can be at any position.
- 3) Set the Noise Reduction Switch to OFF position, and supply a 100 Hz signal to the line input from the Audio Frequency Oscillator.
- 4) Set recorder to REC mode, and adjust the attenuator to obtain a line output level of 0 dB (VU Meter indication of "0" VU).
- 5) Set the Noise Reduction Switch to ON position and, at this time, adjust Noise Reduction P.C. Board (CS-5327) semi-fixed resistors (VR2, and VR2b 300k B) shown in Fig. 27 so that the line-output level is the same whether the NR Switch is at OFF or ON position.
- 6) Set the Noise Reduction Switch to OFF position and set the oscillator frequency of the Audio Frequency Oscillator to 10 kHz. Adjust the attenuator as outlined in Item 4 above.
- 7) Set the Noise Reduction Switch to ON position and, at this time, adjust Noise Reduction P.C. Board (CS-5327) semi-fixed resistors (VR1, and VR1b 1k B) shown in Fig. 27 to obtain a line output level decrease of 2.5 dB.
- 8) After completing the adjustments through Item 7) supply a 10 kHz signal to the line input and confirm that when the Noise Reduction Switch is turned ON, the line output level is decreased to -26.4 ± 0.5 dB as compared to the -20 dB level when the Noise Reduction Switch is turned OFF.

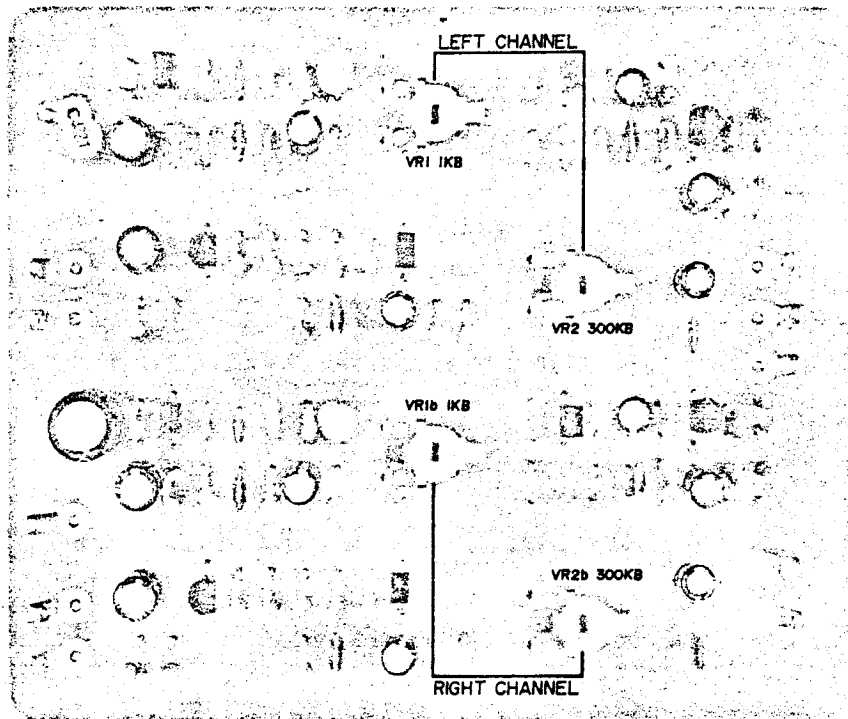
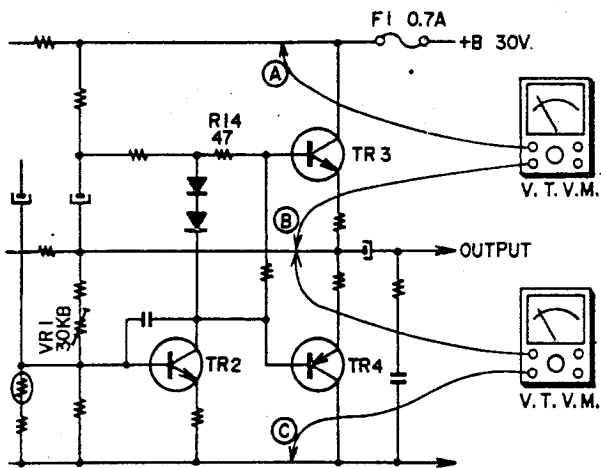


Fig. 27



MAIN AMP. CIRCUIT

Fig. 28

8. MAIN AMP. VOLTAGE BALANCE ADJUSTMENT

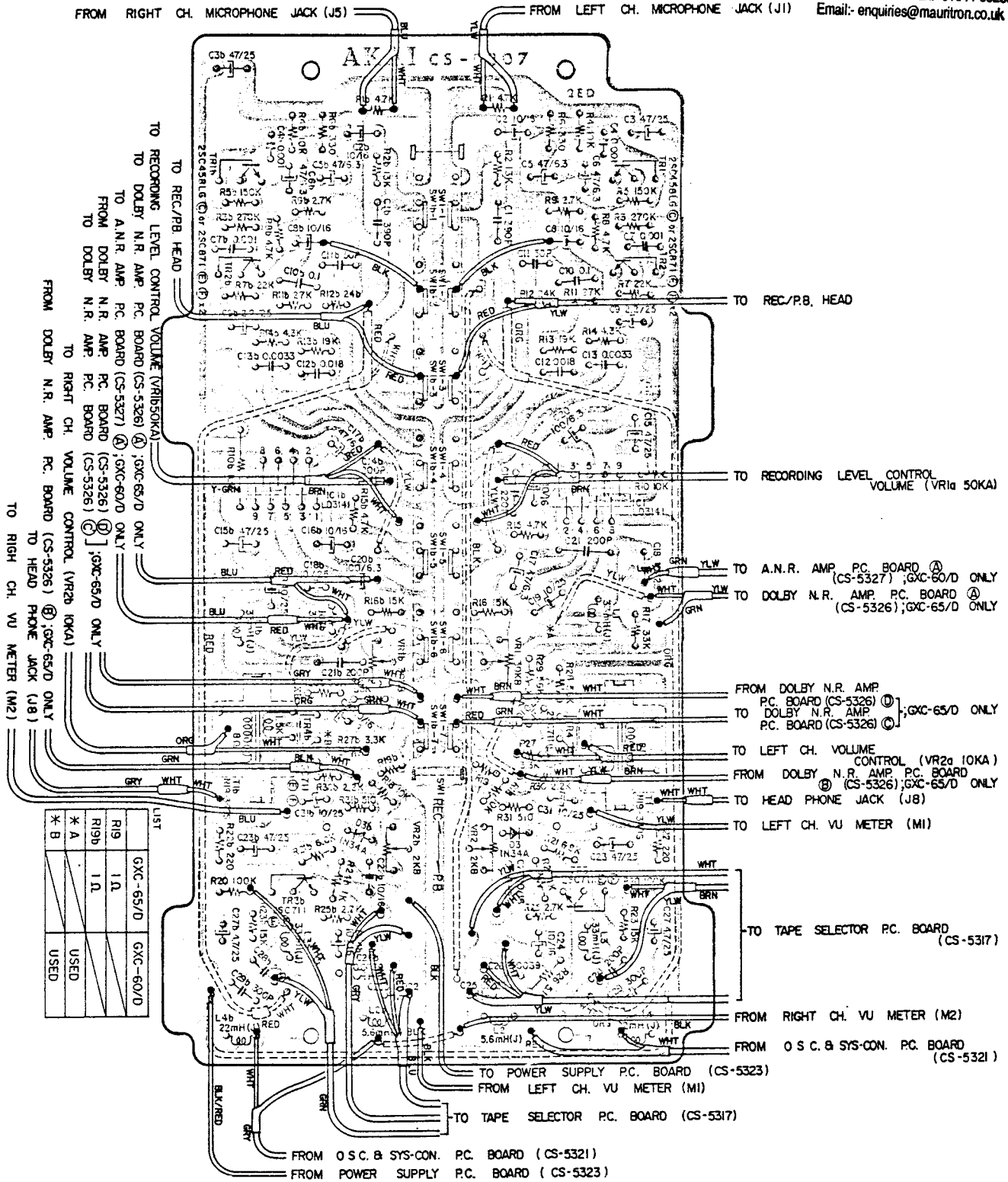
As shown in Fig. 28, connect a V.T.V.M. between points (A) (B) as well as between (B) (C) and adjust variable resistor VR1 (30k B) so that the V.T.V.M. indication is half the value of the supply voltage. There is no way to adjust the "no signal current", but the correct "no signal current" is 5 mA. When a power transistor is replaced and a signal introduced, if cross-over distortion is considerable, it can be reduced by changing resistor R14 47Ω to about 33Ω.

For Service Manuals Contact
MAURITRON TECHNICAL SERVICES
 8 Cherry Tree Rd, Chinnor
 Oxon OX9 4QY
 Tel: 01844-351694 Fax: 01844-352554
 Email: enquiries@mauritron.co.uk

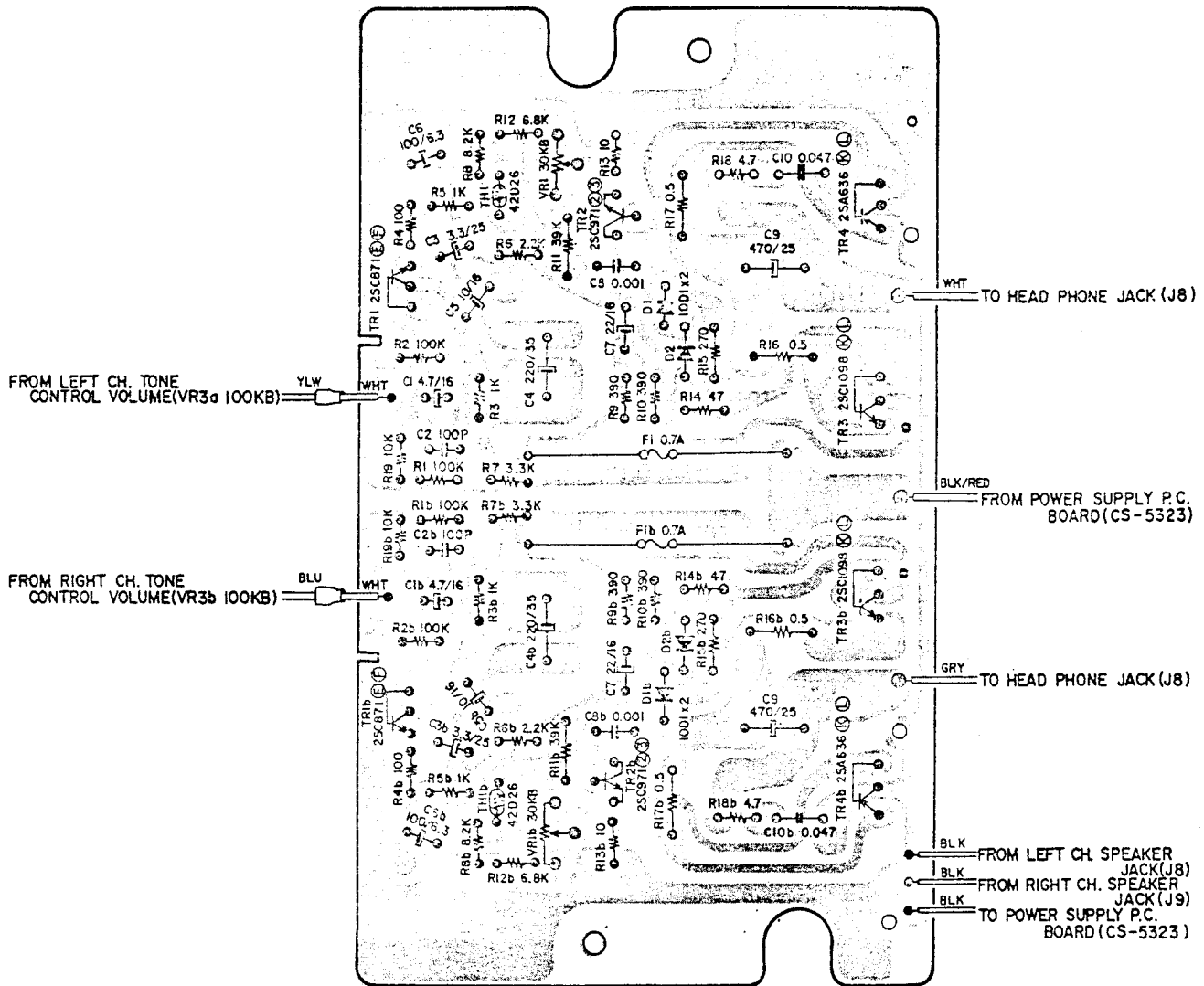
VII. COMPOSITE VIEWS OF COMPONENTS

PRE-AMP. P.C. BOARD (CS-5307)

For Service Manuals Contact
MAURITRON TECHNICAL SERVICES
 8 Cherry Tree Rd, Chinnor
 Oxon OX9 4QY
 Tel: 01844-351694 Fax: 01844-352554
 Email: enquiries@mauritron.co.uk



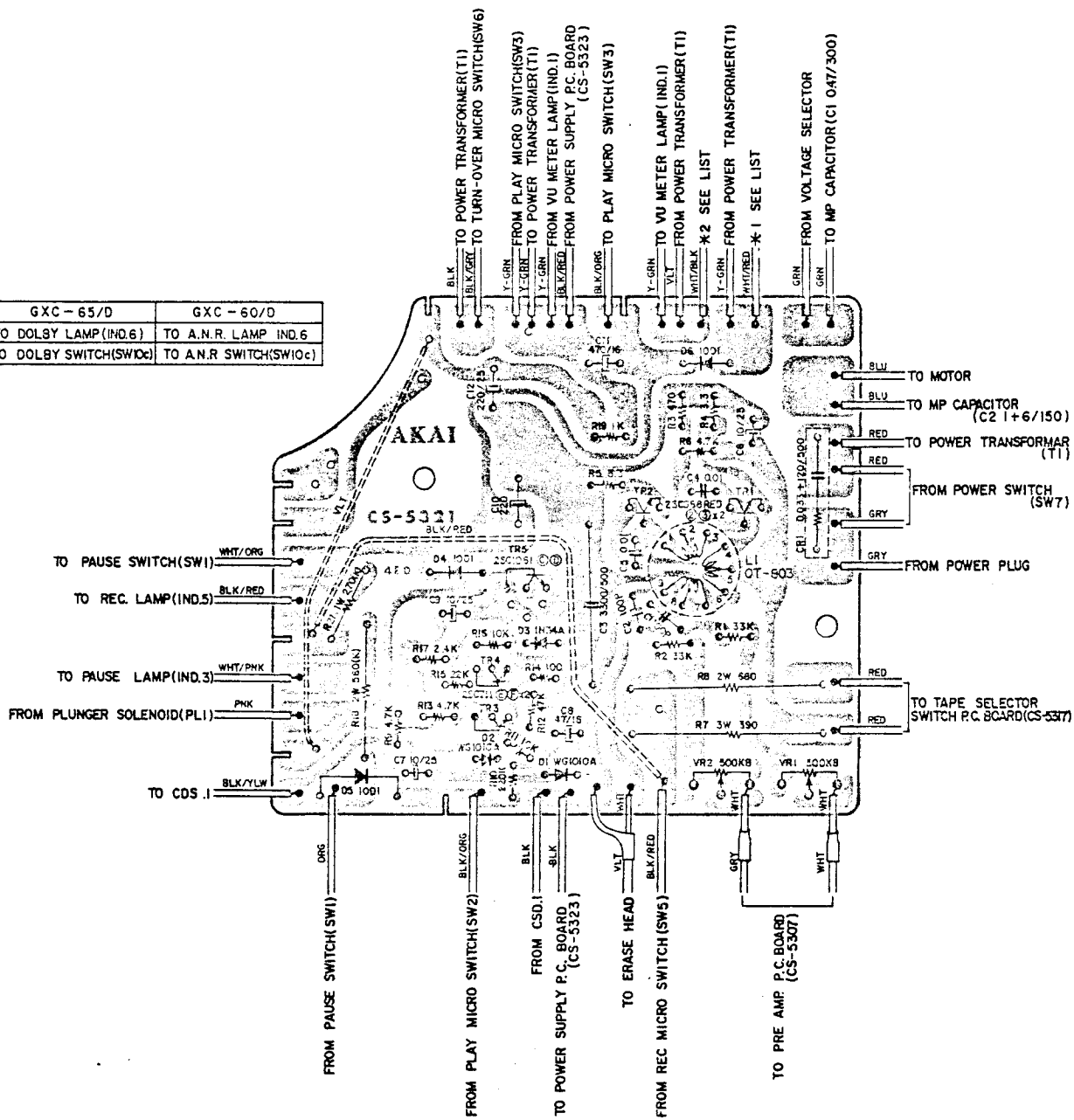
MAIN AMP. P.C. BOARD (CS-5319)



SYS. CON. (OSC.) P.C. BOARD (CS-5321)

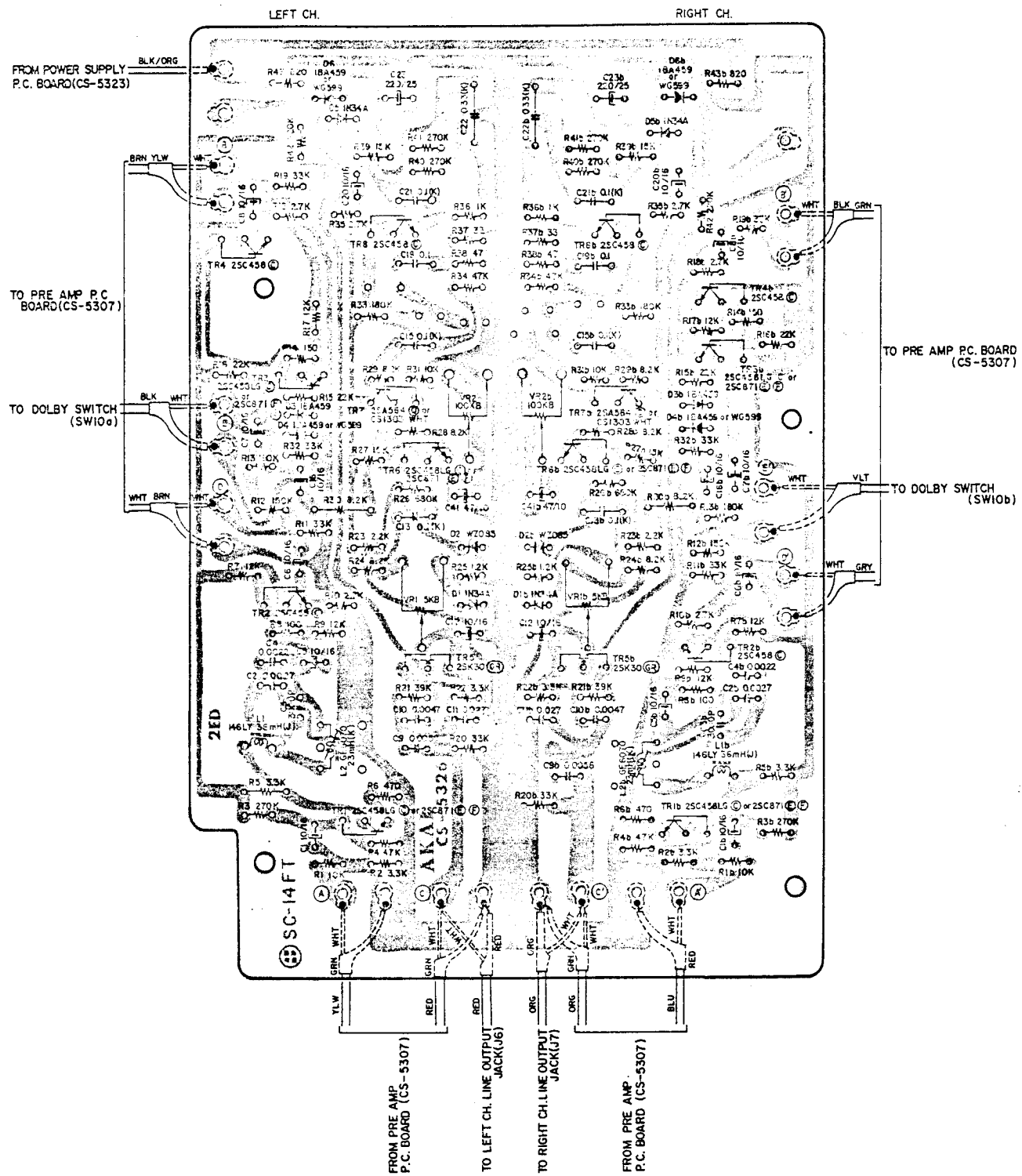
LIST

	GXC - 65/D	GXC - 60/D
*2	TO DOLBY LAMP (IND.6)	TO A.N.R. LAMP IND.6
*1	TO DOLBY SWITCH (SW10c)	TO A.N.R. SWITCH (SW10c)



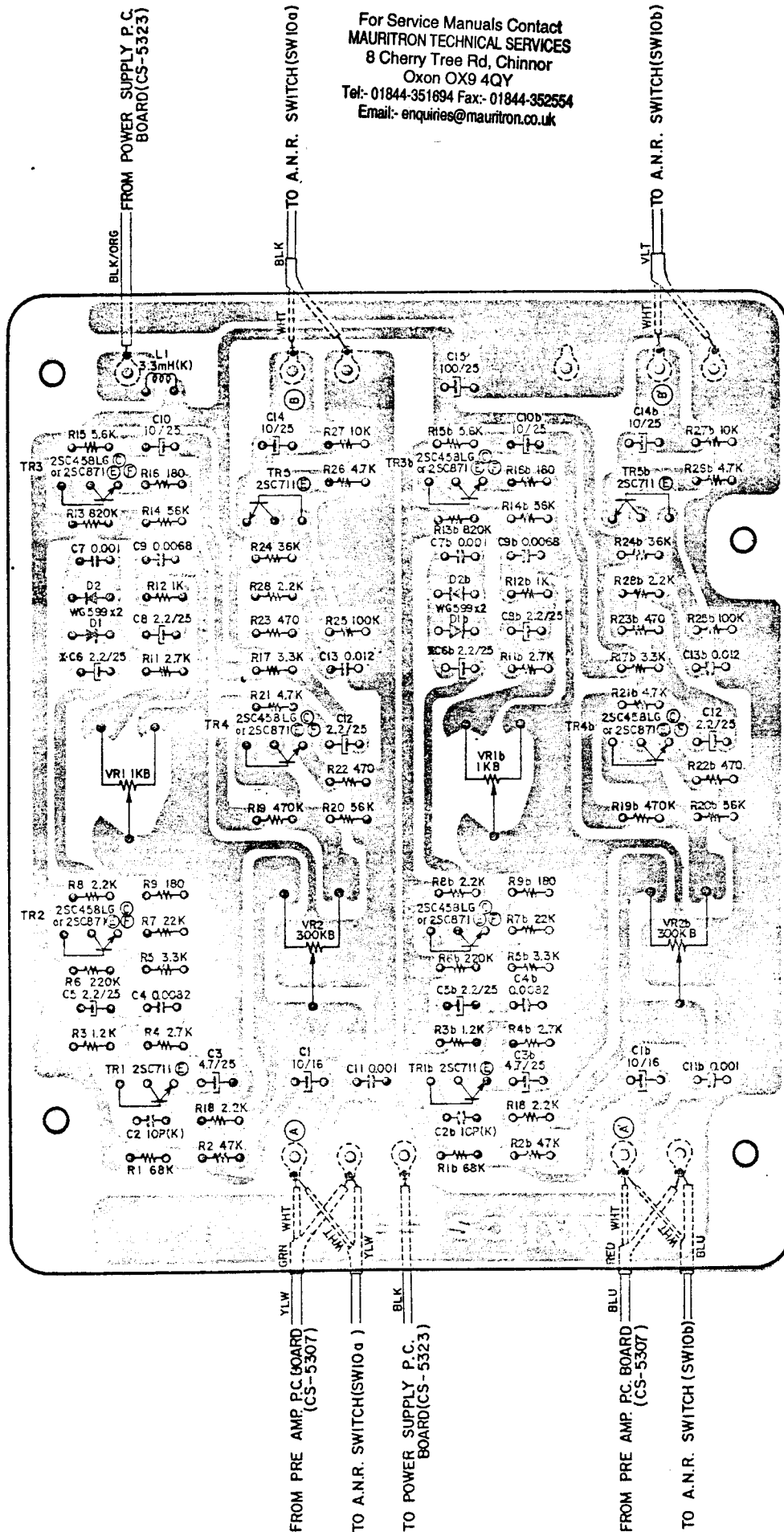
For Service Manuals Contact
MAURITRON TECHNICAL SERVICES
 8 Cherry Tree Rd, Chinnor
 Oxon OX9 4QY
 Tel: 01844-351694 Fax: 01844-352554
 Email: enquiries@mauritron.co.uk

DOLBY P.C. BOARD (CS-5326)

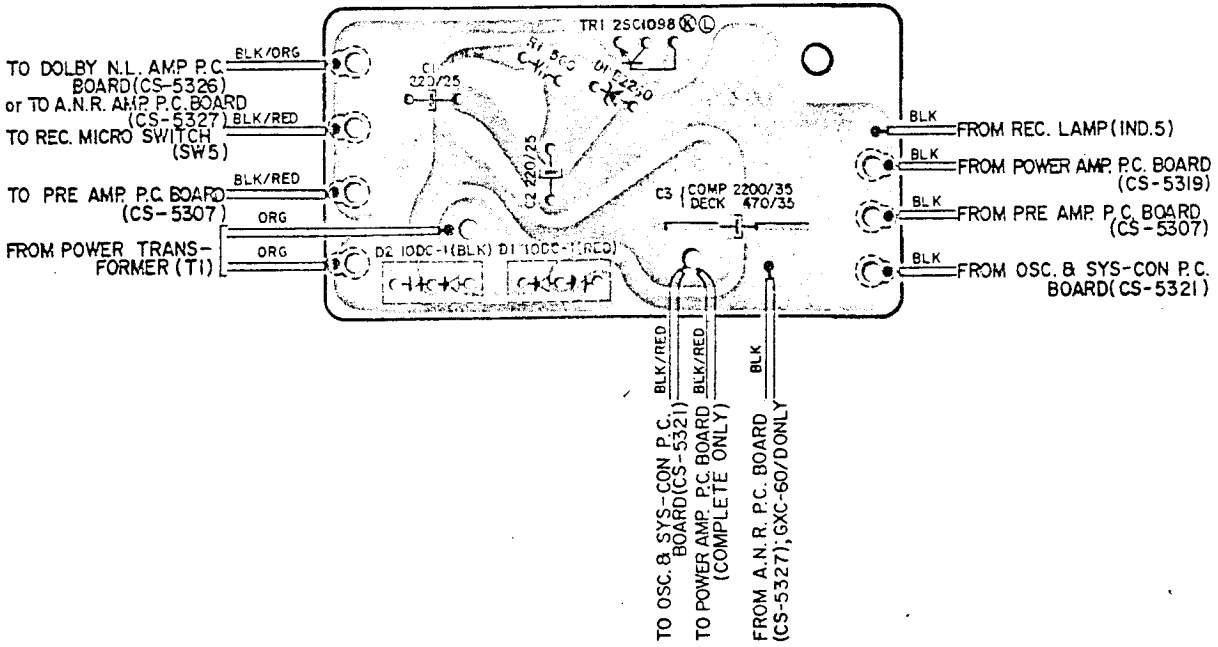


NOISE REDUCTION P.C. BOARD (CS-5327)

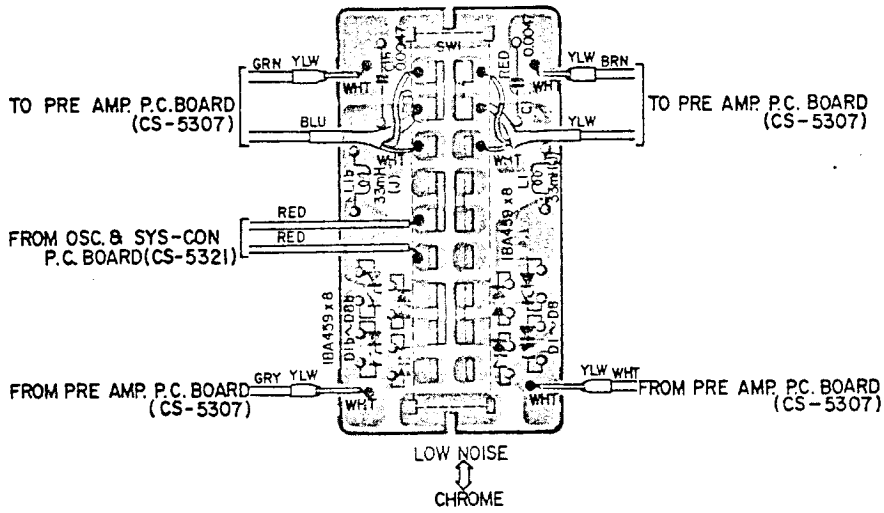
For Service Manuals Contact
MAURITRON TECHNICAL SERVICES
 8 Cherry Tree Rd, Chinnor
 Oxon OX9 4QY
 Tel: 01844-351694 Fax: 01844-352554
 Email: enquiries@mauritron.co.uk



POWER SUPPLY P.C. BOARD (CS-5323)



TAPE SELECTOR SWITCH P.C. BOARD (CS-5317)



For Service Manuals Contact
MAURITRON TECHNICAL SERVICES
8 Cherry Tree Rd, Chinnor
Oxon OX9 4QY
Tel: 01844-351894 Fax: 01844-352554
Email: enquiries@mauritron.co.uk

SECTION 2

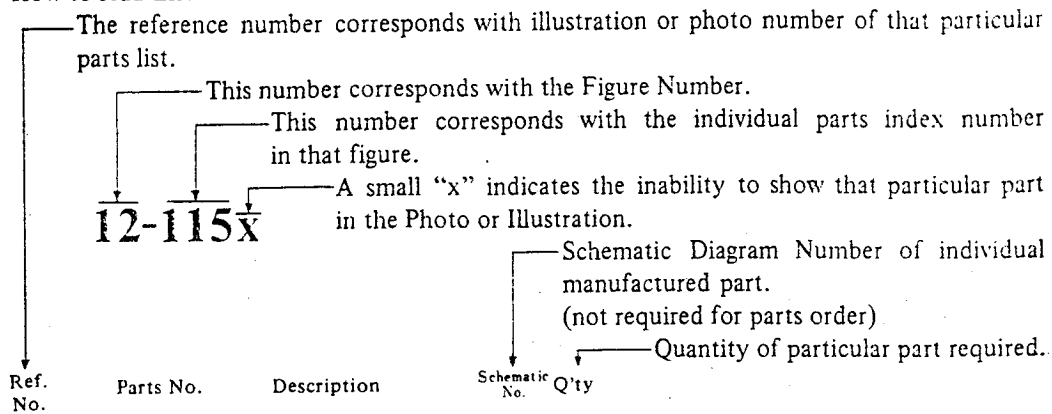
PARTS LIST

TABLE OF CONTENTS

FIG. 1	HEAD BASE BLOCK	26
FIG. 2	MOTOR BLOCK	27
FIG. 3	REEL TABLE FRAME BLOCK	28
FIG. 4	TURN OVER GUIDE BLOCK	28
FIG. 5	MAIN GEAR & SUB CHASSIS BLOCK	31
FIG. 6	MECHANISM ASSEMBLY BLOCK (1)	32
FIG. 7	MECHANISM ASSEMBLY BLOCK (2)	35
FIG. 8	VOLUME RETAINING BASE BLOCK	36
FIG. 9	POWER SUPPLY & JACK PLATE BLOCK	37
FIG. 10	PRE-AMP. P.C. BOARD (CS-5307) BLOCK	39
FIG. 11	MAIN AMP. P.C. BOARD (CS-5319) BLOCK	40
FIG. 12	SYS. CON. P.C. BOARD (CS-5321) BLOCK	41
FIG. 13	POWER SUPPLY P.C. BOARD (CS-5323) BLOCK	41
FIG. 14	DOLBY P.C. BOARD (CS-5326) BLOCK	41
FIG. 15	NOISE REDUCTION P.C. BOARD (CS-5327) BLOCK (60/D) ..	43
FIG. 16	FINAL ASSEMBLY BLOCK	44
INDEX		45

HOW TO USE THIS PARTS LIST

1. This parts list is compiled by various individual blocks based on assembly process.
2. When ordering parts, please describe parts number, serial number, and model number in detail.
3. How to read List



4. The symbol numbers shown on the P.C. Board list can be matched with the Composite Views of components of the Schematic Diagram or Service Manual.
5. The indications of Resistors and Capacitors in the photos of P.C. Board are being eliminated.
6. The shape of the parts and parts name, etc. can be confirmed by comparing them with the parts shown on the Electrical Parts List Table of P.C. Board.
7. Both the kind of part and installation position can be determined by the Parts Number. To determine where a parts number is listed, utilize Parts Index at end of Parts List.
It is necessary first of all to find the Parts Number. This can be accomplished by using the Reference Number listed at right of parts number in the Parts Index. (meaning of ref. no. outlined in Item 3 above).
8. Utilize separate "Price List for Parts" to determine unit price. The most simple method of finding parts Price is to utilize the reference number.

ELECTRICAL PARTS LIST TABLE




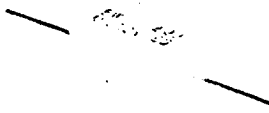


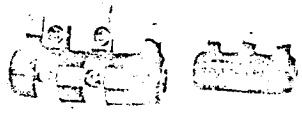
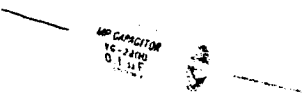

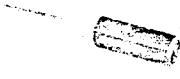
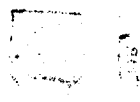
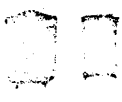


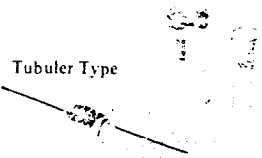

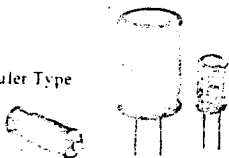
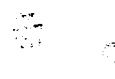


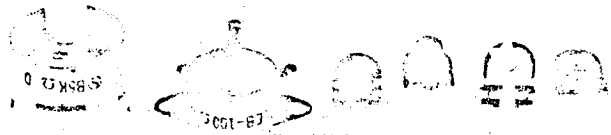



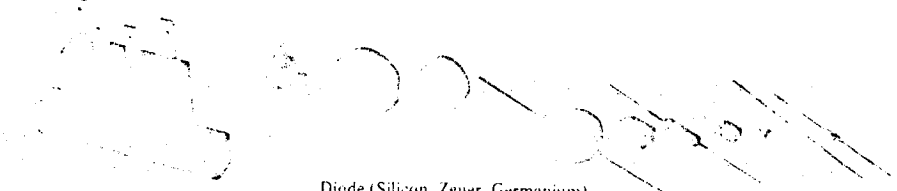
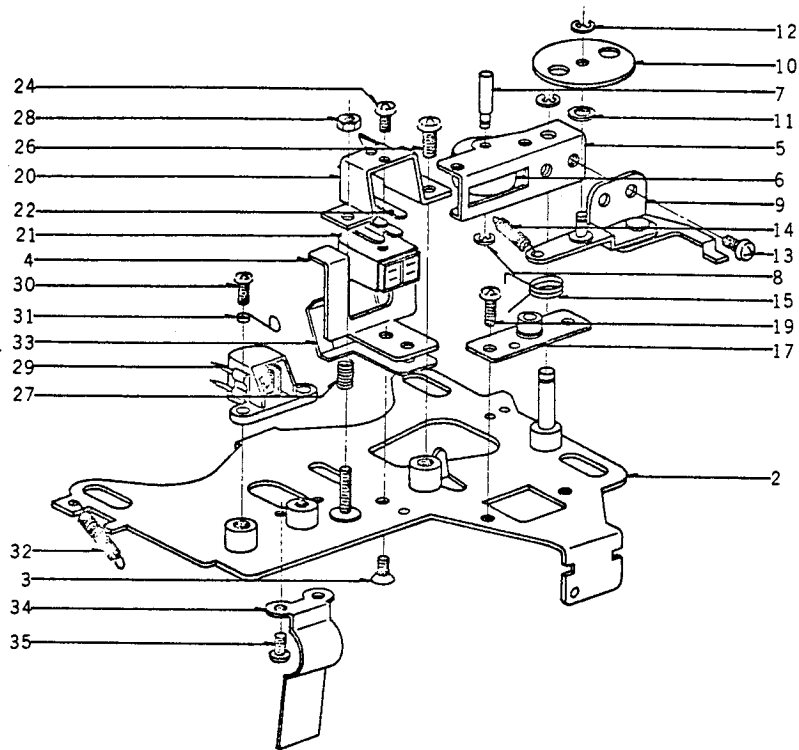
<p>ELECTRICAL PARTS LIST TABLE Because the indication of resistors and capacitors in the P.C. Board photos are being eliminated, please confirm parts name and shape by comparing them with the parts shown in this table.</p>	<p>1</p>  <p style="text-align: center;">Solid Resistor</p>	<p>2</p>  <p style="text-align: center;">Carbon Resistor</p>	<p>3</p>  <p style="text-align: center;">Metal Oxide Film Resistor</p>
<p>4</p>  <p style="text-align: center;">Cement Resistor</p>	<p>5</p>  <p style="text-align: center;">Wire-Wound Resistor</p>	<p>6</p>  <p style="text-align: center;">Thermister</p>	<p>7</p>  <p style="text-align: center;">Enamel Resistor</p>
<p>1</p>  <p style="text-align: center;">MP Capacitor (Tubuler Type)</p>	<p>2</p>  <p style="text-align: center;">Plastic Capacitor</p>	<p>3</p>  <p style="text-align: center;">Mylar Capacitor</p>	<p>4</p>  <p style="text-align: center;">VFM (Hi-Q) Capacitor</p>
<p>5</p>  <p style="text-align: center;">Mylar Capacitor</p>	<p>6</p>  <p style="text-align: center;">Tantalum Capacitor</p>	<p>7</p>  <p style="text-align: center;">Oil Capacitor (Tubuler Type)</p>	<p>8</p>  <p style="text-align: center;">Styrol Capacitor</p>
<p>9</p>  <p style="text-align: center;">Electrolytic Capacitor (Tubuler Type)</p>	<p>10</p>  <p style="text-align: center;">Electrolytic Capacitor</p>	<p>11</p>  <p style="text-align: center;">Ceramic Capacitor</p>	<p>12</p>  <p style="text-align: center;">Metalized Mylar (Paper) Capacitor</p>
<p>13</p>  <p style="text-align: center;">Trimmer Condenser</p>		<p>VR</p>  <p style="text-align: center;">Semi-Fixed Volume</p>	
<p>L</p>  <p style="text-align: center;">Ferri Inductor</p>	<p>TR</p>  <p style="text-align: center;">Transistor</p>		
<p>CR</p>  <p style="text-align: center;">Spark Quencher</p>	<p>D</p>  <p style="text-align: center;">Diode (Silicon, Zener, Germanium)</p>		

FIG. 1 ILLUSTRATION OF HEAD BASE BLOCK

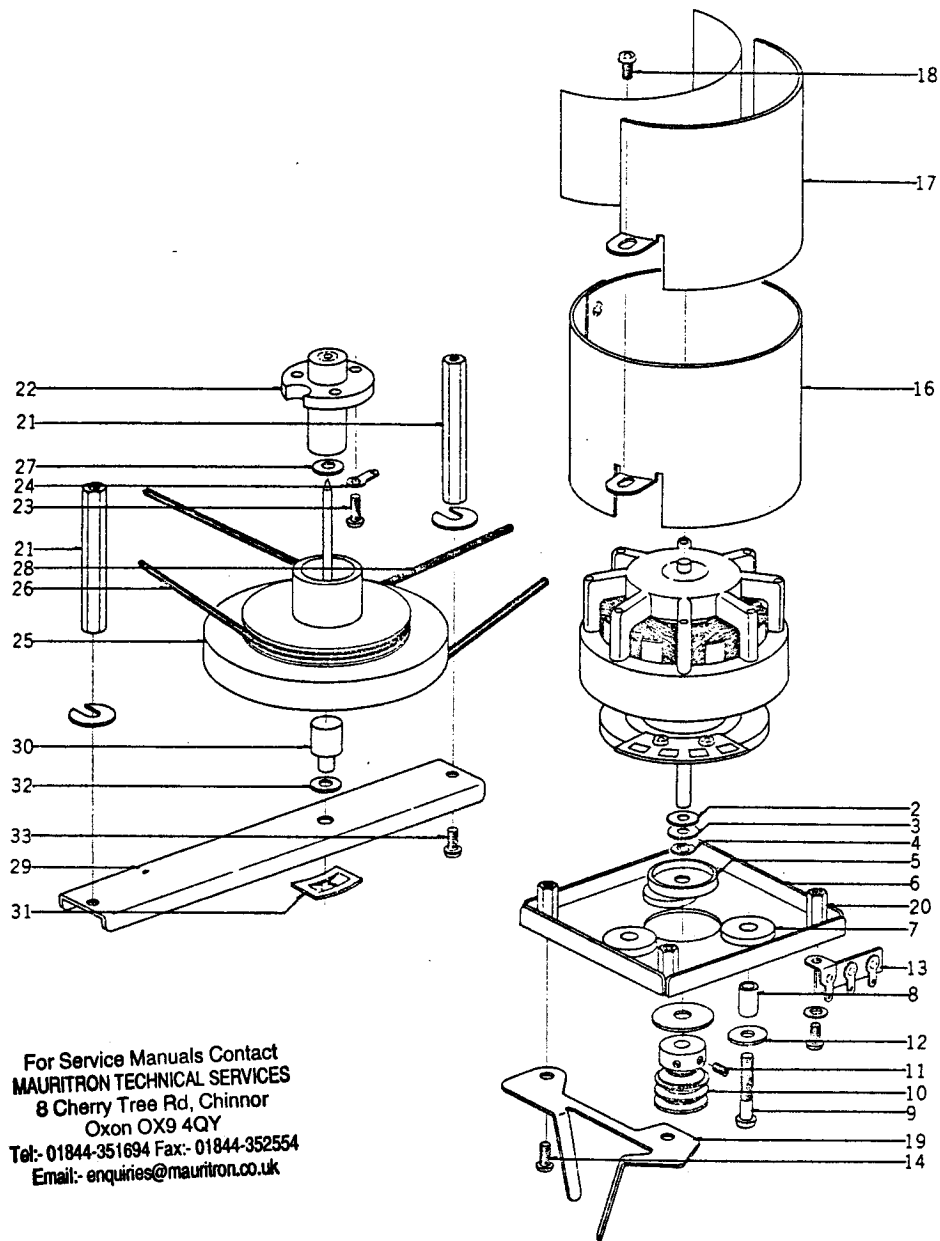


HEAD BASE BLOCK

Ref. No.	Parts No.	Description	Schematic No.	Q'ty	Ref. No.	Parts No.	Description	Schematic No.	Q'ty
1-1x	BH491264	Head Base Block Comp.	CS-3	1	1-19	ZW201903	Screw, binding head 2.3 x4		2
1-2	UM385020	Head Base, w/prop	CS-0001	1	1-20	UM366625	PC Tape Guide	RCC-1012	1
1-3	ZW418858	Screw, countersunk head 3x5		2	1-21	HP451934	REC./P.B. HEAD P4-330		1
1-4	HL497608	Head Safety Lever	CS 0026	1	1-22	ZW414235	Washer A (PBP2-H) 0.1t	CS-0025	1
1-5	UM387843	Pinch Roller Arm	CS-0010	1	1-23x	ZW414246	Washer B (PBP2-H) 0.15t	CS-0025	1
1-6	MP400397	Pinch Roller Comp. (CS)	CS-0023	1	1-24	ZW304841	Screw, round head 2x2		2
1-7	MS389981	Pinch Roller Shaft	CS-0011	1	1-25x	ZW259380	Washer (BSP) D2.4x4.3x0.3t		1
1-8	ZW391397	'E' Ring 1.2M	6-1-9	1	1-26	ZW391410	Screw, truss head 2.3x8		2
1-9	UM387854	CDS Disc Base, w/lever	CS-0012	1	1-27	ZG402895	CS Angle Adjust Spring	CS-0024	1
1-10	UM389968	CDS Disc	CS-0015	1	1-28	ZW273688	M2.3 Nut		1
1-11	ZW364342	Washer (Polyslider) D1.7x3.2x0.25t		2	1-29	HE451945	ERASE HEAD E4-150		1
1-12	ZW391397	'E' Ring 1.2M	6-1-9	1	1-30	ZW201003	Screw, truss head 2.3x6	CS-0021	1
1-13	ZW201396	Screw, pan head 2.3x3		2	1-31	UM399071	Head Wiring Hook	CS-0020	1
1-14	ZG389970	Disc Plate Lever Spring	CS-0018	1	1-32	ZG389992	Head Base Return Spring	CS-0302	1
1-15	ZG387281	Pinch Roller Spring	CS-0019	1	1-33	UM516813	Cassette Retainer		1
1-16x	ZW270088	'E' Ring 1.9M	6-1-9	1					
1-17	EA389506	CDS P.C. Board	CS-0005	1	1-34	UM385064	Micro Switch Retaining Plate	CS-0006	1
1-18x	ET368921	CDS P-320	45-9-1	1	1-35	ZW417251	Screw, binding head 2.3x3		2

When ordering parts, please describe Parts Number, Serial Number, and Model Number in detail.

FIG. 2 ILLUSTRATION OF MOTOR BLOCK



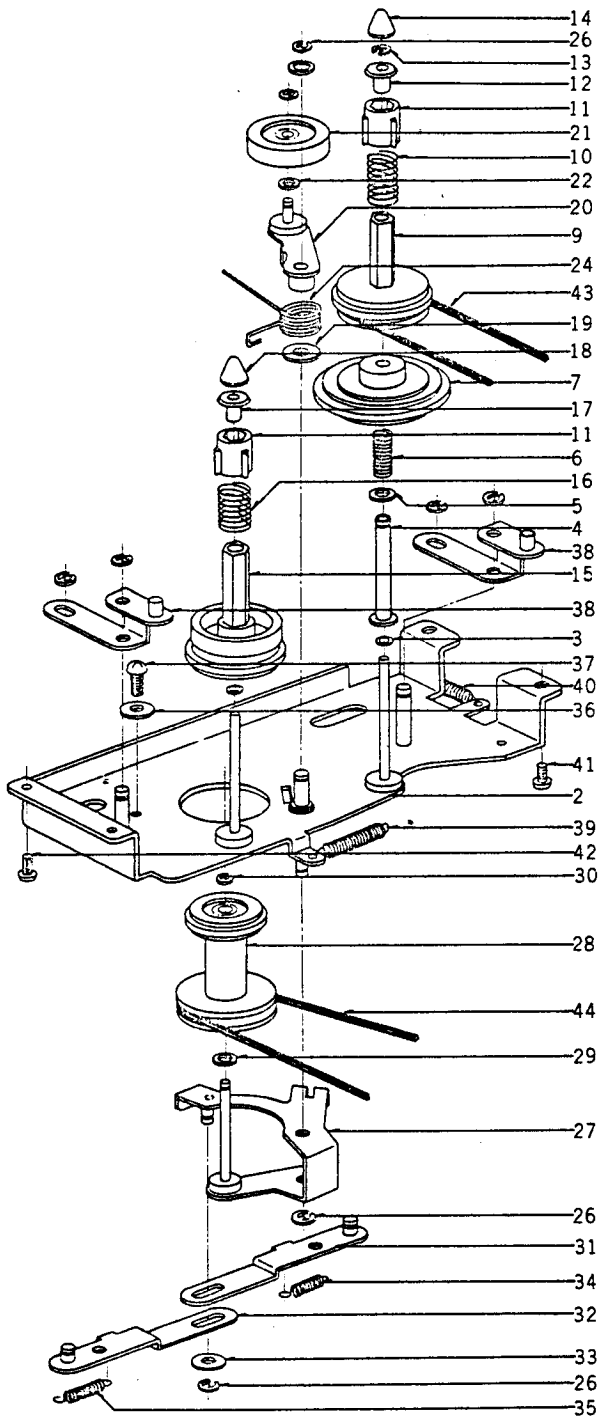
For Service Manuals Contact
MAURITRON TECHNICAL SERVICES
 8 Cherry Tree Rd, Chinnor
 Oxon OX9 4QY
 Tel:- 01844-351694 Fax:- 01844-352554
 Email:- enquiries@mauritron.co.uk

MOTOR BLOCK

Ref. No.	Parts No.	Description	Schematic No.	Q'ty	Ref. No.	Parts No.	Description	Schematic No.	Q'ty
2-1x	BM390115	Motor Block Comp.	CS.CC	1	2-18	ZW447772	Tapping Screw #2 3x6 (BR)		2
2-2	ZW396415	CS Thrust Washer A	CS-7029	3	2-19	UM447186	Belt Stabilizer Plate	CC-1118	1
2-3	ZW396426	CS Thrust Washer B	CS-7029	3	2-20	UM385211	Motor Mt. Prop	CS-1015	4
2-4	ZW270101	'E' Ring 3M	6-1-9	1	2-21	UM385222	Flywheel Prop.	CS-1016	2
2-5	UM394075	Oil Cut	CS-7028	1	2-22	BC385143	Main Metal Case, w/metal	CS-1007	1
2-6	UM388181	Motor Mt. Table	CS-7022	1	2-23	ZW201925	Screw, binding head 2.3x5		3
2-7	UM384164	Rubber Cushion Bush	24XO-717	3	2-24	ZW273633	M2.3 Earth Lug		1
2-8	UM384186	Rubber Cushion Bush Sleeve	24XO-718	3	2-25	BF387213	Flywheel, w/shaft	CS-1110	1
2-9	ZW417148	Screw, binding head 3x15		3	2-26	MB387235	Take-up Pulley Belt	CS-1112	1
2-10	MR382203	Motor Pulley	CS-7024	1	2-27	ZW259334	Washer (Polyslider)		1
2-11	ZW356804	Set Screw, hexagon socket 3x4 (cup)		2	2-28	MB387246	Flywheel Belt	CS-1113	1
2-12	ZW402322	Washer (SUP) D4.1x13x0.5t		3	2-29	UM387257	Flywheel Support Plate	CS-1114	1
2-13	EJ331435	Lug Plate VB2L	33-4-6	1	2-30	UM387268	Flywheel Support	CS-1115	1
2-14	ZW417025	Screw, binding head 3x8, w/washer		3	2-31	ZW478991	Speed Nut (P type) 4M	7-1-48	1
2-15x	MZ373318	Nylon Clip HP-3N		1	2-32	ZW419646	Washer (SPC) D4.5x9.8x0.5t		2
2-16	UM386965	Motor Shield	CS-1086	1	2-33	ZW417025	Screw, binding head 3x8, w/washer		2
2-17	UM394367	Motor Shield B	CS-1149	1					

When ordering parts, please describe Parts Number, Serial Number, and Model Number in detail.

FIG. 3 ILLUSTRATION OF REEL TABLE FRAME BLOCK



Ref. No.	Parts No.	Description	Schematic No.	Q'ty
3-9	UM387630	Take-up Reel Table Comp.	CS-2012B	1
3-10	ZG385075	Reel Table Spring	CS-2014	1
3-11	ZG370361	C type Reel Table Blade	RCC-1345	2
3-12	UM387641	Take-up Reel Table Bush	CS-2015	1
3-13	ZW270088	'E' Ring 1.9M	6-1-9	1
3-14	UM394200	Take-up Reel Cap	CS-2105	1
3-15	UM389790	Supply Reel Table Comp.	CS-2016B	1
3-16	ZG385075	Reel Table Spring	CS-2014	1
3-17	UC370348	C type Reel Table Bush	RCC-1343	1
3-18	UC370372	C type Reel Shaft Cap	RCC-1346	1
3-19	ZW317171	Washer (PBP) D3.1x8x0.1t		1
3-20	UM493064	Middle Pulley Lever B, w/metal	CS-2129	1
3-21	MR387696	Middle Pulley B, w/metal	CS-2020	1
3-22	ZW259334	Washer (Polyslider) D2.05x3.5x0.25t		2
3-23x	ZW391397	'E' Ring 1.2M	6-1-9	1
3-24	ZG387718	Idler Return Spring	CS-2022	1
3-25x	ZW259661	Washer (Polyslider) D3x5x0.25t		1
3-26	ZW270088	'E' Ring 1.9M	6-1-9	7
3-27	UM387720	Middle Pulley A Lever, w/shaft	CS-2023	1
3-28	MR429827	Middle Pulley A Comp.	CS-2025B	1
3-29	ZW364342	Washer (Polyslider) D1.7x3.2x0.25t		2
3-30	ZW391397	'E' Ring 1.2M	6-1-9	1
3-31	UM387775	F. FWD Lever A, w/pin	CS-2028	1
3-32	UM387786	Rewind Lever A	CS-2029	1
3-33	ZW318161	Washer (SPC) D3.1x8x0.5t		1
3-34	ZG387832	Take-up Spring	CS-2034	1
3-35	ZG387821	Rewind Spring	CS-2033	1
3-36	ZW424495	Washer (SPC) D3.1x8x1t		1
3-37	ZW200687	Tapping Screw #2 3x6 (round)		1
3-38	UM387808	Take-up Lever, w/pin	CS-2031	2
3-39	ZG387178	Idler Tension Spring	CS-1106	1
3-40	ZG394378	Return Spring	CS-2106	1
3-41	ZW417273	Screw, binding head 2.3x4		2
3-42	ZW464692	Screw, binding head 2.3x6		2
3-43	MB387101	Counter Belt	CS-1099	1
3-44	MB387235	Take-up Pulley Belt	CS-1112	1

REEL TABLE FRAME BLOCK

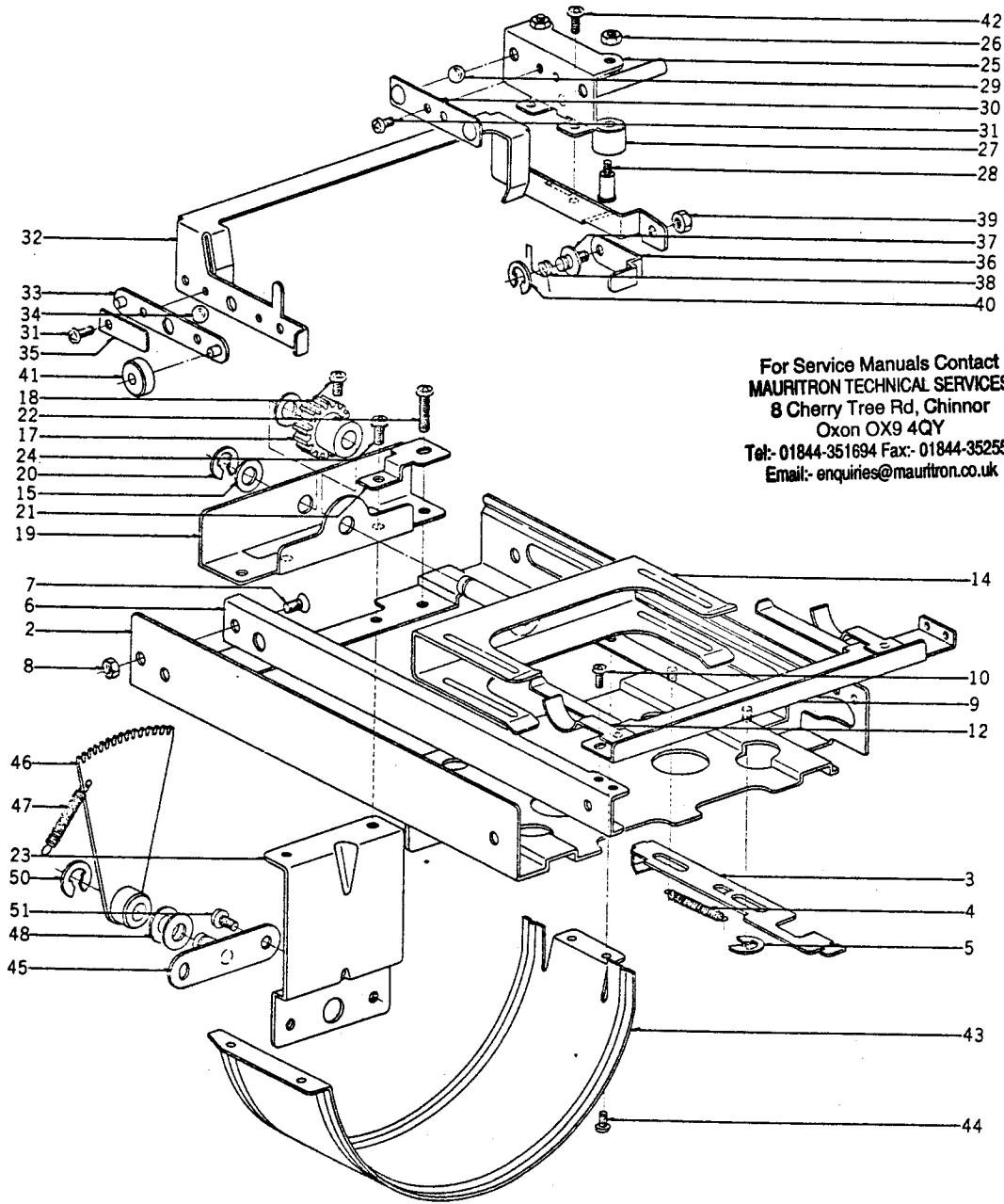
Ref. No.	Parts No.	Description	Schematic No.	Q'ty
3-1x	BZ390071	Reel Table Frame Block Comp.	CS-CC	1
3-2	UM493053	Reel Table Mt. Plate, w/shaft	CS-2132	1
3-3	ZW364342	Washer (Polyslider) D1.7x3.2x0.25t		2
3-4	MS387573	Take-up Reel Table Shaft	CS-2007	1
3-5	ZW355307	Washer (BSP) D2.6x6.9x0.5t		1
3-6	ZG387584	Clutch Spring	CS-2008	1
3-7	MR387606	Take-up Reel Table Pulley Comp.	CS-2009B	1
3-8x	UM387617	Clutch Felt	CS-2011	1

TURN OVER GUIDE BLOCK

Ref. No.	Parts No.	Description	Schematic No.	Q'ty
4-1x	BZ493986	Turn Over Guide Block Comp.	CS-3	1
4-2	UM388642	Slide Table, w/shaft	CS-2057	1
4-3	UM388708	Operation Lever	CS-2063	1
4-4	ZG392848	Operation Lever Spring	CS-2102	1
4-5	ZW290283	'U' Ring 2.85M	6-1-1	2
4-6	UM388697	Roller Guide	CS-2062	1
4-7	ZW477887	Screw, countersunk head 2.6x5		2
4-8	ZW357658	M2.6 Nut		2
4-9	UM388912	Guide Plate	CS-2076	1
4-10	ZW391386	Screw, pan head 2.3x3		2
4-11x	ZW201475	Screw, pan head 2x3		2
4-12	ZG468922	Cassette Retaining Spring	CS-2204	2
4-13x	BZ469304	Turn-over Block Comp.	CS	1
4-14	UM468898	Turn-over Branch B	CS-2201	1
4-15	ZW399137	Washer (PBP) D5.1x10.3x0.25		1
4-16x	ZW326463	Washer (PBP) D5.1x10.3x0.2t		1
4-17	UM468944	Turn-over Gear B	CS-2206	1

When ordering parts, please describe Parts Number, Serial Number, and Model Number in detail.

FIG. 4 ILLUSTRATION OF TURN OVER GUIDE BLOCK

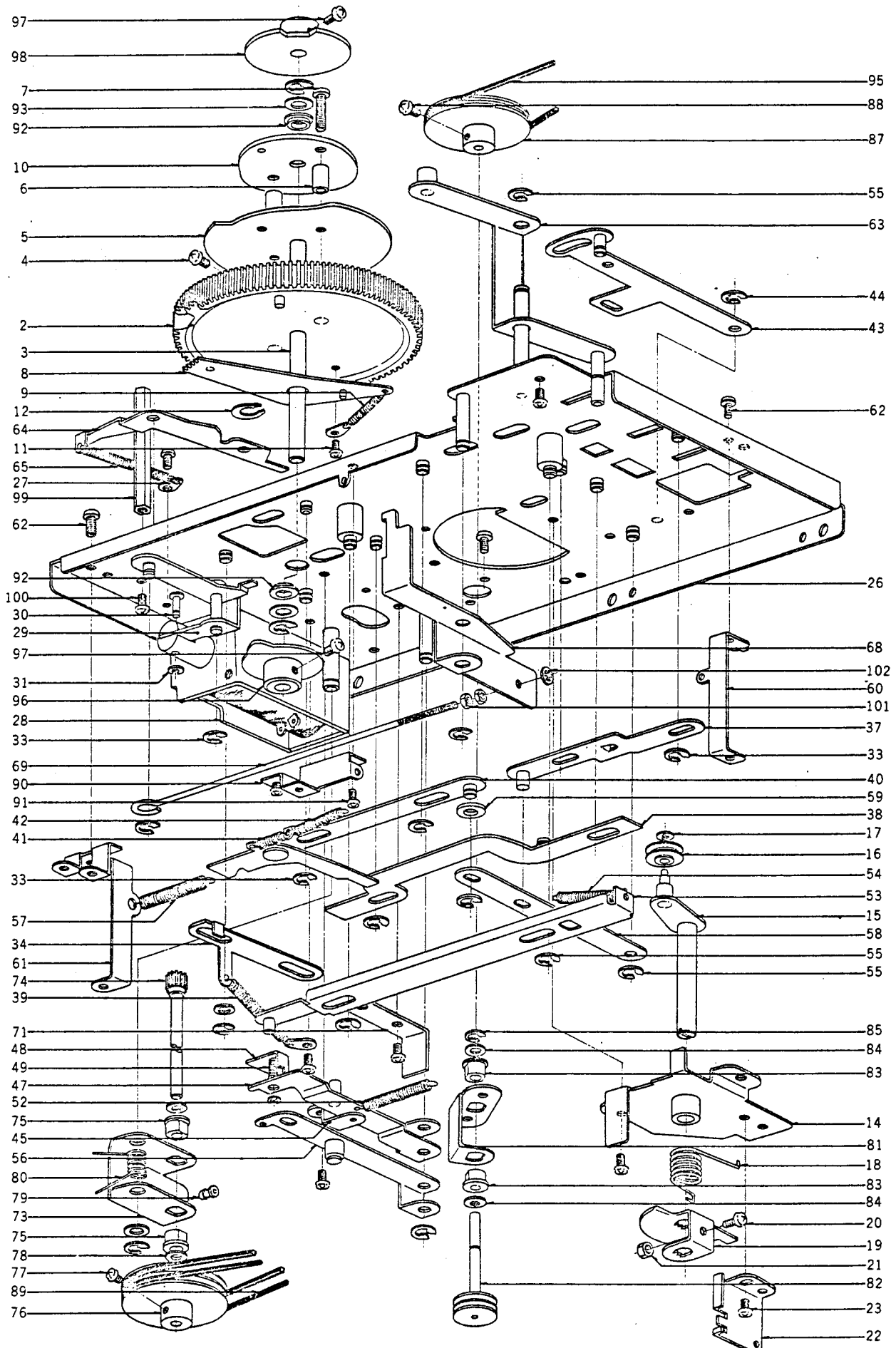


For Service Manuals Contact
MAURITRON TECHNICAL SERVICES
 8 Cherry Tree Rd, Chinnor
 Oxon OX9 4QY
 Tel: 01844-351694 Fax: 01844-352554
 Email: enquiries@maurtron.co.uk

Ref. No.	Parts No.	Description	Schematic No.	Q'ty	Ref. No.	Parts No.	Description	Schematic No.	Q'ty
4-18	ZW456107	Screw, pan head 4x5		1	4-36	UM388866	Hook	CS-2072	1
4-19	UM388978	Turn-over Bracket	CS-2082	1	4-37	UM388787	Cassette Hook Pin	CS-2094	1
4-20	ZW290283	'U' Ring 2.85M	6-1-1	1	4-38	ZG388890	Hook Spring	CS-2074	1
4-21	UM408420	Branch Stopper	CS-2117	2	4-39	ZW273688	M2.3 Nut		1
4-22	ZW425114	Screw, round head 3x10		2	4-40	ZW270101	'E' Ring 3M	6-1-9	1
4-23	UM387393	Drive Gear Bracket	CS-1130	1	4-41	MR388732	Guide Roller	CS-2066	2
4-24	ZW413223	Screw, binding head 3x5, w/washer		2	4-42	ZW413223	Screw, binding head 3x5, w/washer		2
4-25	UM402996	Joint Stay B, w/joint	CS-2114	1	4-43	UM468900	Turn-over Guide B	CS-2202	1
4-26	ZW273756	M3 Nut		2	4-44	ZW391386	Screw, pan head 2.3x3		4
4-27	MR455938	Joint Roller	CS-2121	2	4-45	UM387483	Turn-over Drive Gear Shaft Plate, w/shaft	CS-1143	1
4-28	UM455940	Roller Pin	CS-2122	2	4-46	UM469113	Turn-over Drive Gear B, w/metal	CS-1202	1
4-29	MV269965	Steel Ball D4		2	4-47	ZG387448	Turn-over Return Spring	CS-1135	1
4-30	ZG452384	Ball Retaining Spring B	CS-2123	1	4-48	ZW326463	Washer (PBP) D5.1x10.3x0.2t		1
4-31	ZW201407	Screw, pan head 2.3x3		4	4-49x	ZW313593	Washer (PBP) D5.1x10.3x0.5t		1
4-32	UM388710	Cassette Supporter	CS-2064	1	4-50	ZW270123	'E' Ring 4M	6-1-9	1
4-33	UM388776	Guide Roller Supporting Plate, w/pin	CS-2093	1	4-51	ZW417025	Screw, binding head 3x8, w/washer		2
4-34	MV269965	Steel Ball D4		1					
4-35	ZG405270	Ball Spring	CS-2118	1					

When ordering parts, please describe Parts Number, Serial Number, and Model Number in detail.

FIG. 5 ILLUSTRATION OF MAIN GEAR & SUB CHASSIS BLOCK



MAIN GEAR & SUB CHASSIS BLOCK

Ref. No.	Parts No.	Description	Schematic No.	Q'ty	Ref. No.	Parts No.	Description	Schematic No.	Q'ty
MAIN GEAR BLOCK									
5-1x	BZ514901	Main Gear Block Comp.	CS-3	1	5-60	UM385637	Lever Cover Prop	CS-2504	2
5-2	UM462745	New Main Gear	CS-2602	1	5-61	MH491117	Cover Prop	CS-2302	1
5-3	MS386032	Main Gear Shaft	CS-2544	1	5-62	ZW413223	Screw, binding head 3x5, w/washer		3
5-4	ZW413201	Screw, pan head 4x8		1	5-63	UM385942	Head Base Operation Lever, w/pin	CS-2535	1
5-5	UM386065	Lift Cam	CS-2547	1	5-64	UM458717	Gear Stop Lever B	CS-2594	1
5-6	UM386054	Cam Spacer	CS-2546	2	5-65	ZG366761	Slider Spring	RCC-1209	1
5-7	ZW417148	Screw, binding head 3x15		2	5-66x	ZW396303	Washer (Polyslider) D4.2x9x0.13t		1
5-8	UM452428	Start Gear, w/pin	CS-2597	1	5-67x	BZ493964	Belt Change Block Comp.	CS-3	1
5-9	ZG452430	Start Gear Spring	CS-2598	1	5-68	UM385920	Auto Stop Lever	CS-2533	1
5-10	UM386111	Turn-over Cam	CS-2548	1	5-69	ZG385918	Stop Spoke	CS-2532	1
5-11	ZW417273	Screw, binding head 2.3x4		1	5-70x	ZW429120	Washer (SPC) D2.3x9x0.5t		1
5-12	ZW462767	'C' Ring, Prop STW-8		1	5-71	UM386223	Pinion Lever Stopper	CS-2563	1
BELT CHANGE BLOCK									
5-13x	BZ493964	Belt Change Block Comp.	CS-3	1	5-72x	ZW455207	Tapping Screw #2 3x5 (BR)		2
5-14	UM386100	Belt Change Chassis, w/metal	CS-2552	1	5-73	UM386201	Pinion Lever	CS-2561	1
5-15	UM386166	Belt Change Lever, w/shaft	CS-2557	1	5-74	MS415541	Pinion Shaft, w/Gear	CC-2554	1
5-16	MR386188	Belt Change Roller	CS-2559	1	5-75	UM385672	Reduction Pulley Metal	CS-2508	2
5-17	ZW377425	Push Nut CS 2.0M		1	5-76	MR415080	Reduction Pulley C	CC-2510	1
5-18	ZG386190	Belt Change Spring	CS-2560	1	5-77	ZW480791	Screw, round head 3x5.5		1
5-19	UM386133	Belt Change Cam	CS-2554	1	5-78	ZW480802	Washer (Teflon) D4.1x7x0.2t		2
5-20	ZW413201	Screw, pan head 4x8		1	5-79	UM456311	Rubber Bush	CS-2601	1
5-21	ZW413188	M4 Nut		1	5-80	ZG456131	Pinion Lever Spring	CS-2586	1
5-22	UM386122	Belt Change Guide	CS-2553	1	5-81	UM385661	Reduction Pulley Holder	CS-2507	1
5-23	ZW323728	Screw, binding head 3x5		2	5-82	MS415530	Reduction Pulley Shaft A, w/pulley	CC-2553	1
SUB CHASSIS BLOCK									
5-24x	BZ493773	Sub Chassis Block Comp.	CS-3	1	5-83	UM385672	Reduction Pulley Metal	CS-2508	2
5-25x	BZ511648	Sub Chassis Block Comp.	CS-3	1	5-84	ZW480802	Washer (Teflon) D4.1x7x0.2t		2
5-26	UM385604	Sub Chassis, w/shaft	CS-2501	1	5-85	ZW270101	'E' Ring 3M	6-1-9	1
5-27	ZW273778	M3 Earth Lug		3	5-86x	ZW417216	Screw, pan head 3x4		2
5-28	EP391566	Plunger Solenoid M10-C-34V	44-1-32	1	5-87	MR385705	Reduction Pulley A	CS-2511	1
5-29	UM385896	Plunger Lever, w/pin	CS-2530	1	5-88	ZW480791	Screw, round head 3x5.5		1
5-30	ZW257477	Connecting Pin	RD-211	1	5-89	MB468450	Reduction Pulley Belt C	CS-1190	2
5-31	ZW270088	'E' Ring 1.9M	6-1-9	1	5-90	UM491152	P.C. Board Bracket 2	CS-2301	1
5-32x	ZW413223	Screw, binding head 3x5, w/washer		3	5-91	ZW447772	Tapping Screw #2 3x6 (BR)		1
5-33	ZW290283	'U' Ring 2.85M	6-1-1	7	5-92	UM386076	Gear Shaft Metal	CS-2549	2
5-34	UM385863	Auto Change Lever F	CS-2528	1	5-93	ZW259931	Washer (PBP) D5.1x10.3x0.3t		1
5-35x	ZW259738	Washer (Polyslider) D4.1x7x0.25t		2	5-94x	ZW374545	Washer (PBP) D5.1x10.3x0.4t		1
5-36x	ZW270101	'E' Ring 3M	6-1-9	2	5-95	MB468450	Reduction Pulley Belt C	CS-1190	1
5-37	UM385751	Auto Change Lever B, w/pin	CS-2516	1	5-96	UM462508	Auto Play Cam B, w/metal	CS-2595	1
5-38	UM385740	Manual Lever, w/pin	CS-2515	1	5-97	ZW417150	Screw, pan head 4x6		2
5-39	ZG392837	Auto Change Lever F Return Spring	CS-2525	1	5-98	UM386954	Auto Stop Cam, w/metal	CS-1085	1
5-40	UM385762	Auto Change Lever C, w/lever D	CS-2517	1	5-99	UM385233	Sub Chassis Prop	CS-1017	5
5-41	ZG385986	Safety Lever Return Spring	CS-2539	1	5-100	ZW417025	Screw, binding head 3x8, w/washer		5
5-42	ZG385323	Eject Safety Spring	CS-1025	1	5-101	ZW273690	M2.3 Nut		2
5-43	UM407294	Manual Stop Lever, w/pin	CS-2571	1	5-102	ZW377425	Push Nut CS 2.0M		1
5-44	ZW270101	'E' Ring 3M	6-1-9	1					
5-45	UM446848	Auto Change Lever Supporting Plate	CS-2577	1					
5-46x	ZW455207	Tapping Screw #2 3x5 (BR)		1					
5-47	UM385806	Auto Change Lever E, w/pin	CS-2521	1					
5-48	UM436836	Start Lever B, w/shaft	CS-2592	1					
5-49	ZG414134	SB Spring	CS-2573	1					
5-50x	ZW438928	Washer (PBP) D3.5x5x0.2t		1					
5-51x	ZW270088	'E' Ring 1.9M	6-1-9	1					
5-52	ZG392804	Auto Change Lever E Return Spring	CS-2566	1					
5-53	UM385828	Auto Play Lever B, w/pin	CS-2523	1					
5-54	ZG385795	Auto Play Spring	CS-2520	1					
5-55	ZW290283	'U' Ring 2.85M	6-1-1	9					
5-56	UM385830	Auto Play Lever A, w/roller	CS-2524	1					
5-57	ZG392837	Auto Change Lever F Return Spring	CS-2525	1					
5-58	UM385841	Auto Change Lever A	CS-2526	1					
5-59	ZW345442	Washer (Nylon) D4.2x9x1t		1					

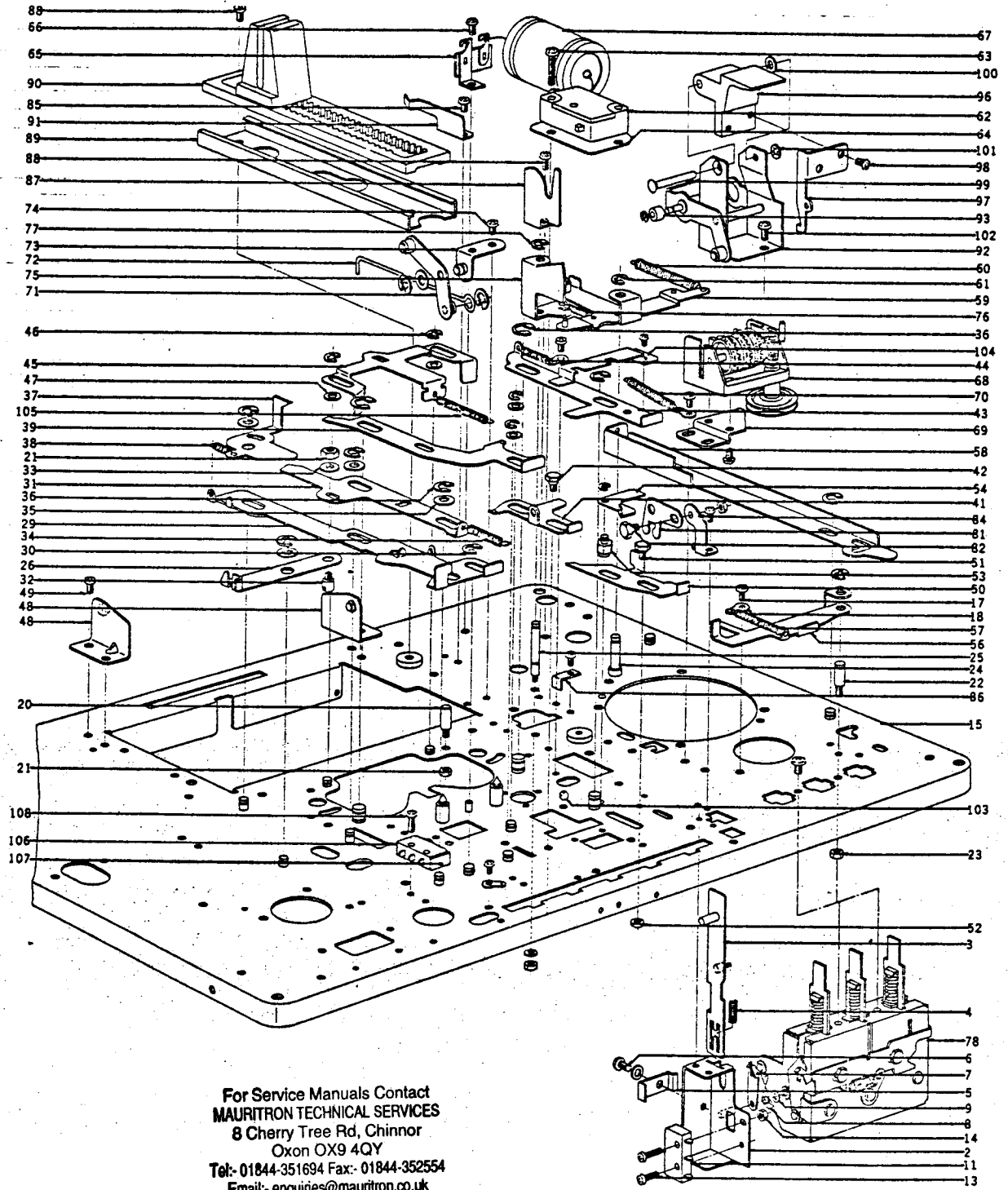
For Service Manuals Contact
MAURITRON TECHNICAL SERVICES
 8 Cherry Tree Rd, Chinnor
 Oxon OX9 4QY
 Tel: 01844-351694 Fax: 01844-352554
 Email: enquiries@mauritron.co.uk

MECHANISM ASSEMBLY BLOCK (1)

Ref. No.	Parts No.	Description	Schematic No.	Q'ty	Ref. No.	Parts No.	Description	Schematic No.	Q'ty
PAUSE BUTTON BLOCK					6-67	EC341842	MP/C. 0.47μF(M)300WVAC (Tub. type)	24-9-35	1
6-1x	BZ469282	Pause Button Block Comp.	CS	1	6-68	MC389711	Counter MP-390-43	9-1-12	1
6-2	UM387900	Pause Bracket	CS-2035	1	6-69	MZ387088	Counter Mt. Base	CS-1097	1
6-3	UM387911	Pause Lever E, w/shaft	CS-2036	1	6-70	ZG404921	Eject Spring B	CS-1158	1
6-4	ZG387922	Pause Button Spring	CS-2037	1	6-71	UM386875	Lift Lever, w/roller	CS-1077	1
6-5	UM403007	Pause Lock Anti-release Plate	CS-2115	1	6-72	UM386842	Lift Rod	CS-1075	1
6-6	ZW413223	Screw, binding head 3x5, w/washer		1	6-73	UM386853	Lift Bracket, w/shaft	CS-1076	1
6-7	UM387990	Switch Lock Cam	CS-2044	1	6-74	ZW323728	Screw, binding head 3x5		2
6-8	ZG388034	Button Lock Spring	CS-2048	1	6-75	UM456287	Setting Lever B	CS-1186	1
6-9	ZW388023	Operation Button Lock Washer	CS-2047	1	6-76	ZG456120	Setting Lever Spring	CS-1187	1
6-10x	ZW270088	'E' Ring 1.9M	6-1-9	1	6-77	ZW290283	'U' Ring 2.85M	6-1-1	1
6-11	ES389700	Micro Switch SS-5	25-1-19	1	6-78	ES412481	Operation Button Switch ME-S15	25-5-37	1
6-12x	ZW356714	Screw, binding head 2.3x8		1	6-79x	ES403727	Micro Switch V-1A106 U/L	25-1-20	1
6-13	ZW201868	Screw, binding head 2.3x10		1	6-80x	ZW323728	Screw, binding head 3x5		2
6-14	ZW273688	M2.3 Nut		1	6-81	UM385334	Pause Lever D	CS-1026	1
MECHANISM ASSEMBLY BLOCK					6-82	ZW385874	Graduated Screw	CS-2529A	1
6-15	UM385086	Mech. Frame, w/shaft	CS-1001	1	6-83x	ZW273690	M2.3 Nut		1
6-16x	ZW273778	M3 Earth Lug		3	6-84	UM385345	Pause Lever Bracket B	CS-1027	1
6-17	ZW427048	Screw, round head 3x3		2	6-85	ZW417273	Screw, binding head 2.3x4		4
6-18	ZW273633	M2.3 Earth Lug		1	6-86	UM386897	Pinion Stopper	CS-1079	1
6-19x	ZW201407	Screw, pan head 2.3x3		1	6-87	UM386908	Setting Plate	CS-1080	1
6-20	UM385108	Cassette Stop Pin B	CS-1003	2	6-88	ZW323728	Screw, binding head 3x5		6
6-21	ZW273756	M3 Nut		5	6-89	UM387347	Guide Rail	CS-1125	1
6-22	UM385312	Eject Safety Lever Shaft	CS-1024B	1	6-90	UM387358	Feed Rack	CS-1126	1
6-23	ZW273690	M2.3 Nut		1	6-91	UM387360	Rack Stopper	CS-1127	1
6-24	MS385176	Auto Stop Lever Shaft B	CS-1010	2	6-92	UM386987	Eject Stand, w/lever	CS-1088	1
6-25	MS385198	Slide Lever Shaft	CS-1012	2	6-93	MR387033	Set Roller	CS-1092	1
6-26	UM490713	Rec. Lever C	CS-1302	1	6-94x	ZW270088	'E' Ring 1.9M	6-1-9	1
6-27x	ZW326463	Washer (PBP) D5.1x10.3x0.2t		2	6-95x	UM387011	Set Spring Hook	CS-1090B	1
6-28x	ZW290283	'U' Ring 2.85M	6-1-1	2	6-96	SB387055	Eject Button	CS-1094	1
6-29	UM385514	Rec. Lever A	CS-1042	1	6-97	UM387066	Eject Lever	CS-1095	1
6-30	ZW270101	'E' Ring 3M	6-1-9	3	6-98	ZW413223	Screw, binding head 3x5, w/washer		2
6-31	UM385525	Rec. Lever B	CS-1043	1	6-99	MS387044	Eject Button Shaft	CS-1093	1
6-32	UM385503	Rec. Lever Pin	CS-1041B	1	6-100	ZW420682	Washer (Nylon) D4.2x9x0.5t		1
6-33	ZW391500	Washer (PBP) D3.1x7.9x0.5t		1	6-101	ZW432944	Push Nut 3x10x0.3t		1
6-34	ZG392826	Rec. Lever B Return Spring	CS-1147	1	6-102	ZW427048	Screw, round head 3x3		2
6-35	ZW259931	Washer (PBP) D5.1x10.3x0.3t		2	6-103	MV269965	Steel Ball D4		3
6-36	ZW290283	'U' Ring 2.85M	6-1-1	5	6-104	UM387270	Brake Lever A	CS-1117	1
6-37	UM385536	Rec. Safety Lever	CS-1044	1	6-105	ZG389992	Head Base Return Spring	CS-0020	1
6-38	ZG385571	Rec. Safety Spring B	CS-1048	1	6-106	ES494188	Micro Switch SS-5GL13	25-1-25	1
6-39	UM385468	Rewind Lever B	CS-1038	1	6-107	HZ407957	Actuator	CS-1162	1
6-40x	ZW259738	Washer (Polyslider) D4.1x7x0.25t		2	6-108	ZW417328	Screw, binding head 2.3x10		2
6-41	UM385424	Stop Lever	CS-1034	1	6-109x	UM494190	Detector Switch Base	CG-1215	1
6-42	ZW385874	Graduated Screw	CS-2529A	1					
6-43	UM385446	Quick Take-up Lever B	CS-1036	1					
6-44	ZG385457	FF Lever Return Spring	CS-1037	1					
6-45	UM415787	Brake Lever C	CC-1094	1					
6-46	ZW270101	'E' Ring 3M	6-1-9	6					
6-47	ZW259738	Washer (Polyslider) D4.1x7x0.25t		2					
6-48	UM497992	Stand B, w/shaft	CS-1309	2					
6-49	ZW323728	Screw, binding head 3x5		4					
6-50	UM385277	Pause Lever C	CS-1021	1					
6-51	ZW385874	Graduated Screw	CS-2529A	1					
6-52	ZW273688	M2.3 Nut		2					
6-53	UM497981	Pause Lever Table	CS-1194	1					
6-54	UM499623	Pause Lever 3	CS-1193	1					
6-55x	ZW270088	'E' Ring 1.9M	6-1-9	1					
6-56	UM385301	Eject Safety Lever	CS-1024	1					
6-57	ZG385323	Eject Safety Spring	CS-1025	1					
6-58	UM386910	Auto Stop Lever E	CS-1061	1					
6-59	UM386921	Auto Stop Lever, w/roller	CS-1082	1					
6-60	ZG405257	Auto Stop Spring C	CS-1159	1					
6-61	ZW290283	'U' Ring 2.85M	6-1-1	3					
6-62	ES250064	Micro Switch V-1A44 U/L	25-1-7	1					
6-63	ZW419837	Screw, binding head 3x14		1					
6-64	MZ250413	Micro Insulator C	RC-127	1					
6-65	EJ338005	Lug Plate KPL1	33-3-13	1					
6-66	ZW447772	Tapping Screw #2 3x6 (BR)		1					

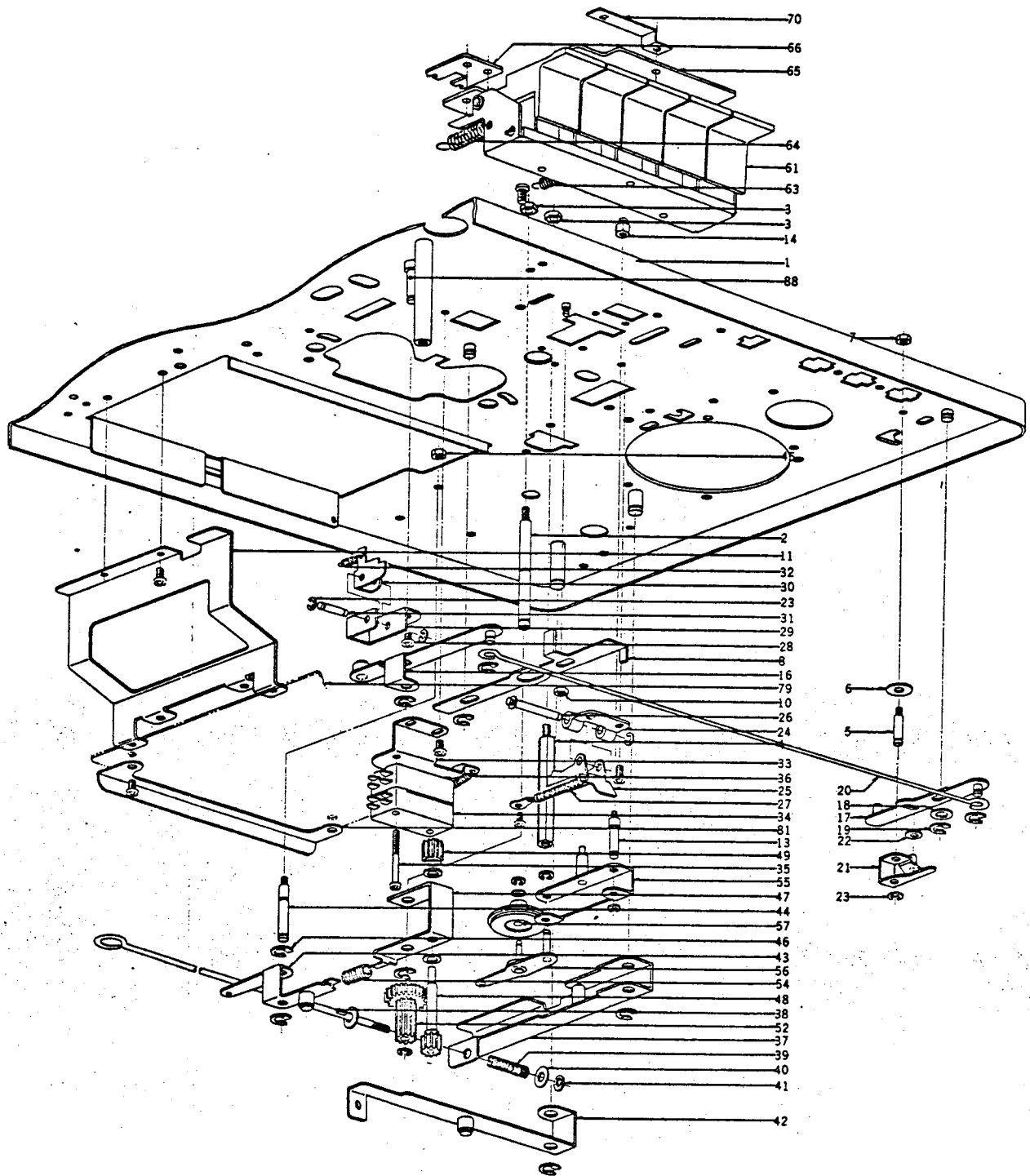
When ordering parts, please describe Parts Number, Serial Number, and Model Number in detail.

FIG. 6 ILLUSTRATION OF MECHANISM ASSEMBLY BLOCK (1)



For Service Manuals Contact
MAURITRON TECHNICAL SERVICES
 8 Cherry Tree Rd, Chinnor
 Oxon OX9 4QY
 Tel:- 01844-351694 Fax:- 01844-352554
 Email:- enquiries@mauritron.co.uk

FIG. 7 ILLUSTRATION OF MECHANISM ASSEMBLY BLOCK (2)

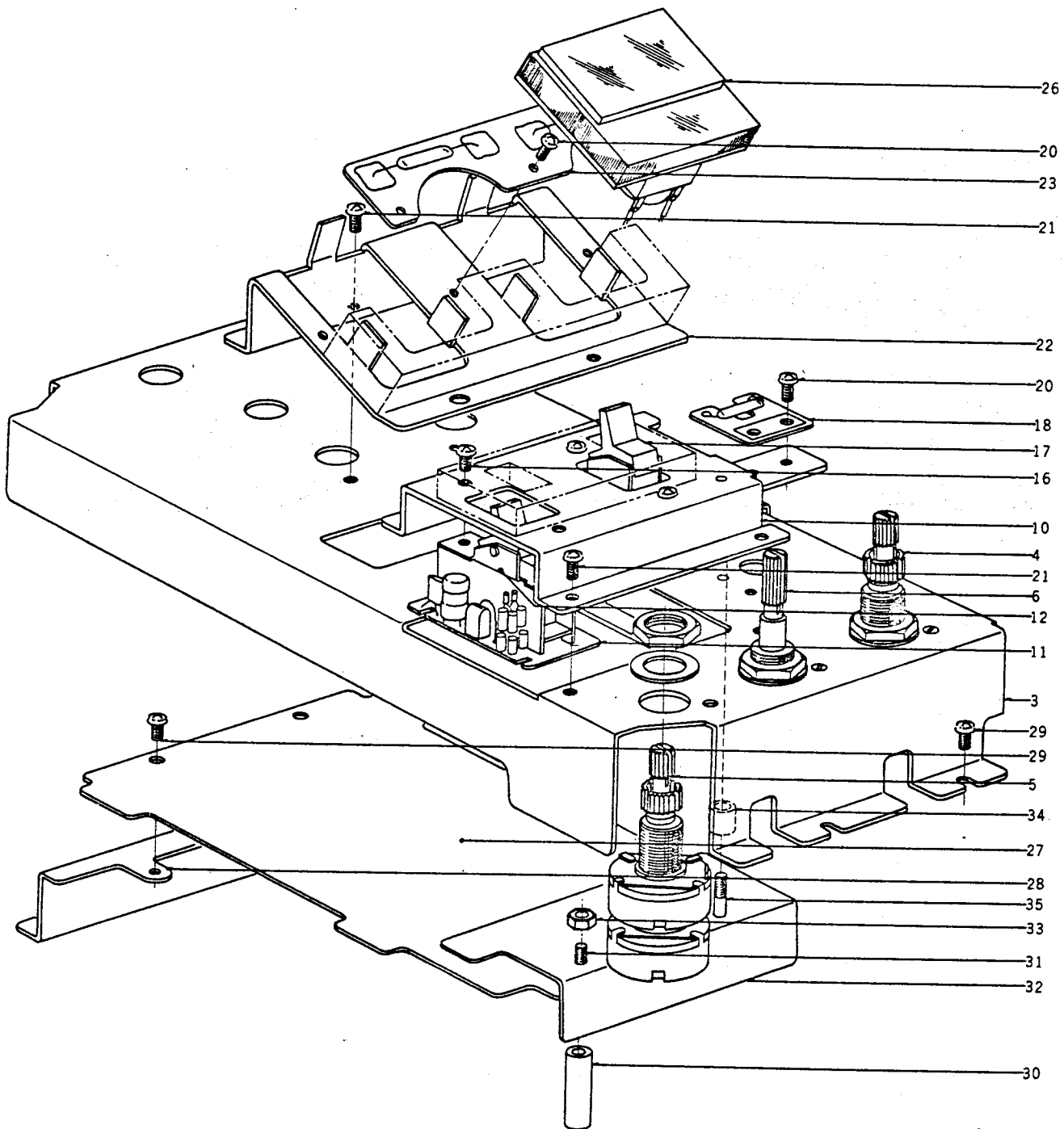


MECHANISM ASSEMBLY BLOCK (2)

Ref. No.	Parts No.	Description	Schematic No.	Q'ty	Ref. No.	Parts No.	Description	Schematic No.	Q'ty
7-1	UM385086	Mech. Frame, w/shaft	CS-1001	1	7-68x	EL390576	Pilot Lamp RM6-24V-50MA	28-2-6	2
7-2	UM385200	Feed Middle Shaft	CS-1013	1	7-69x	EL295312	No. 2 Lamp 8V 0.2A	28-2-8	1
7-3	ZW273756	M3 Nut		2	7-70	ZG366311	Ball Retaining Spring	RCC-1355	1
7-4	UM388528	P.C. Board Prop	CS-1014	1	7-71x	ZW301948	Switch Screw	RC-580	2
7-5	MS387540	Auto Stop Lever Shaft	CS-2004	1	7-72x	UM491073	Sys. Con. Shield Plate	CS-5322	1
7-6	ZW429120	Washer (SPC) D2.3x9x0.5t		1	7-73x	UM388438	P.C. Board Angle	CS-5025	1
7-7	ZW273690	M2.3 Nut		1	7-74x	MH490590	P.C. Board Prop	CS-1304	1
7-8	UM385435	Brake Lever B	CS-1035	1	7-75x	MH490612	P.C. Board Prop B	CS-5309	1
7-9x	ZW270101	'E' Ring 3M	6-1-9	1	7-76x	UM490623	Switch Shield Plate	CS-5310	1
7-10	ZW385356	Graduated Nut	CS-1028	1	7-77	UM490645	Shield Collar	CS-5311	1
7-11	UM490746	P.C. Board Bracket 1	CS-1305	1	7-78x	EM490476	VU Meter B-0384R	46-1-60	2
7-12x	ZW413155	Screw, binding head 3x6		2	7-79	BA491275	Dolby P.C. Board Comp. (CS-5326)	CS-3	1
7-13	MS385266	Take-up Pulley Lever Shaft	CS-1020	1	7-80x	BA499184	Noise Reduction P.C. Board Comp. (CS-5327)		1
7-14	UM497981	Pause Lever Table	CS-1194	1	7-81	UM490757	Print Reinforcement Angle	CS-5328	1
7-15x	ZG386335	Stop Lever Spring	CS-3011	1	7-82x	ZW413155	Screw, binding head 3x6		4
7-16	UM386640	Auto Stop Lever A, w/roller	CS-1054	1	7-83x	EC393671	MP/C. 6+1μF 150WVAC (Lug type Uni/D.)	24-9-47	1
7-17	UM385402	Auto Stop Lever C, w/pin	CS-1032	1	7-84x	SK387450	Faction Knob	CS-1140	3
7-18	ZW259514	Washer (Nylon) D3.1x8x1t		2	7-85x	SK387461	Pause Knob	CS-1141	1
7-19	ZW290283	'U' Ring 2.85M	6-1-1	4	7-86x	MB229138	Side Wire Bank	2-35-1	3
7-20	UM498870	Auto Stop Spoke	CS-1195	1	7-87x	MB259233	Wire Band C	3A-745	1
7-21	UM385367	Auto Stop Lever D, w/pin	CS-1029	1	7-88	MS385176	Auto Stop Lever Shaft B	CS-1010	1
7-22	ZW259650	Washer (PBP) D3x5x0.2t		1					
7-23	ZW270088	'E' Ring 1.9M	6-1-9	5					
7-24	UM386673	Lock Base	CS-1057	1					
7-25	UM386684	Lock Lever	CS-1058	1					
7-26	MS386706	Lock Lever Shaft	CS-1060	1					
7-27	ZG385323	Eject Safety Spring	CS-1025	1					
7-28	ZW417273	Screw, binding head 2.3x4		4					
7-29	UM387112	Rec. Safety Bracket	CS-1100	1					
7-30	UM387123	Rec. Safety Lever B	CS-1101	1					
7-31	MS385255	Rec. Safety Lever Shaft	CS-1019	1					
7-32	ZG387134	Rec. Safety Spring A	CS-1102	1					
7-33	UM386976	Micro Switch Table	CS-1087	1					
7-34	ES250064	Micro Switch V-1A44 U/L	25-1-7	2					
7-35	ZW414066	Screw, binding head 3x25		2					
7-36	ZG389992	Head Base Return Spring	CS-0020	1					
7-37	UM468966	Turn-over Cam Lever B, w/roller	CS-1201	1					
7-38	UM387415	Tie Rod	CS-1132	1					
7-39	ZG387437	Turn-over Pressure Spring	CS-1134	1					
7-40	ZW493582	Washer (SPC) D2.3x9x0.3t		2					
7-41	ZW377425	Push Nut CS 2.0M		1					
7-42	UM386785	Lift Cam Lever, w/roller	CS-1068	1					
7-43	UM386796	Slide Cam Lever, w/roller	CS-1069	1					
7-44	MS385198	Slide Lever Shaft	CS-1012	1					
7-45	ZW273756	M3 Nut		1					
7-46	ZW290283	'U' Ring 2.85M	6-1-1	2					
7-47	UM386807	Pinion Bracket	CS-1070	1					
7-48	MS386818	Pinion Shaft	CS-1071	1					
7-49	UM386820	Pinion	CS-1072	1					
7-50x	ZW259773	Washer (Nylon) D4.1x7x0.5t		2					
7-51x	ZW396437	Washer (Polyslider) D5.1x10.3x25t		1					
7-52	UM386831	Double-gear	CS-1073	1					
7-53x	ZW270101	'E' Ring 3M	6-1-9	1					
7-54	ZG386234	Joint Spring	CS-2564	1					
7-55	UM387145	Take-up Pulley Lever A, w/pin	CS-1103	1					
7-56	UM387167	Take-up Pulley Lever B, w/shaft	CS-1105	1					
7-57	MI429221	Idler A Comp.	CS-1109B	1					
7-58x	ZW364342	Washer (Polyslider) D1.7x3.2x0.25t		2					
7-59x	ZW391421	'E' Ring 1M		1					
7-60x	ZW270088	'E' Ring 1.9M	6-1-9	1					
7-61	BK490994	Keyboard Switch	25-5-68	1					
7-62x	ZW413223	Screw, binding head 3x5, w/washer		3					
7-63	ZW513707	Stop Lever Spring B	CS-3310	1					
7-64	ZG386932	Auto Stop Spring	CS-1083	1					
7-65	EA498925	CDS P.C. Board B	CS-3309	1					
7-66	EA490465	Rec. Lamp P.C. Board	CS-5318	1					
7-67x	ZW464692	Screw, binding head 2.3x6		3					

For Service Manuals Contact
MAURITRON TECHNICAL SERVICES
 8 Cherry Tree Rd, Chinnor
 Oxon OX9 4QY
 Tel: 01844-351694 Fax: 01844-352554
 Email: enquiries@mauritron.co.uk

FIG. 8 (A) ILLUSTRATION OF VOLUME RETAINING BASE BLOCK

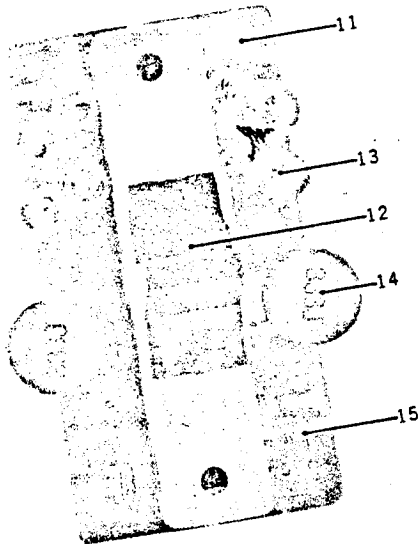


VOLUME RETAINING BASE BLOCK

Ref. No.	Parts No.	Description	Schematic No.	Q'ty
8-1x	BZ491433	Volume Retaining Base Block		1
		Assy. Comp.	CS-3	1
8-2x	BZ493828	Volume Retaining Base Block		1
		Assy. Comp. (Deck)	CS-3	1
8-3	UM490408	Amp. Cover	CS-5312	1
8-4	EV493885	Double Volume D24N 50k Ax2	36-3-47	1
8-5	EV411772	2-throw Dual-axial Volume		1
		(W/F) D24F 10k Ax2	36-3-28	1
8-6	EV490410	Co-axial 2-throw Volume		1
		G24N1 100k Bx2	36-1-23	1

When ordering parts, please describe Parts Number, Serial Number, and Model Number in detail.

FIG. 8 (B) PHOTO OF VOLUME RETAINING BASE BLOCK



THE QUALITY OF THIS PAGE IS THE BEST THAT IS AVAILABLE

POWER SUPPLY & JACK PLATE BLOCK

Ref. No.	Parts No.	Description	Schematic No.	Q'ty
POWER SUPPLY BLOCK				
9-1x	BP493784	Power Supply Block Comp.	CS-3	1
9-2x	BP493795	Power Supply Block Comp. (Deck)	CS-3	1
9-3x	BP511650	Power Supply Block Comp. (AAL)	CS-3	1
9-4x	BP511661	Power Supply Block Comp. (D-AAL)	CS-3	1
9-5x	BP511672	Power Supply Block Comp. (D-CSA)	CS-3	1
9-6	UM388282	Power Chassis	CS-5009	1
9-7	BT491321	Power Trans. CGT-8	38-4-176	1
9-8x	BT491286	Power Trans. CGT-9 (Deck)	38-4-177	1
9-9x	BT497531	Power Trans. CGT-12 (AAL)	38-4-183	1
9-10x	BT497518	Power Trans. CGT-13 (D-AAL)	38-4-184	1
9-11x	BT497520	Power Trans. CGT-10 (D-CSA)	38-4-190	1
9-12	UM388348	CSA Power Supply Trans. Shield Plate	CS-5016	1
9-13	ZW462925	Tapping Screw #2 4x8 (BR)	ED-B120	2
9-14x	WM455106	Trans. Damper Rubber		
9-15	BA493806	Power Supply P.C. Board Comp. (CS-5323)	CS-5017	
9-16	MB388350	Capacitor Band		
9-17	ZW447772	Tapping Screw #2 3x6 (BR)	25-3-23	
9-18	ES375478	Slide Switch ESD-279DU	3A-741	
9-19x	EZ223817	Frequency-Change Name Plate		
9-20	ZW372025	Iso Screw, truss head 3x6		
9-21x	ZW273778	M3 Earth Lug		
9-22x	ZW200687	Tapping Screw #2 3x6 (round)	2-7-12	
9-23x	EZ382263	Strain Relief SR-4K-4	26-3-20	
9-24x	EZ383938	U/L AC Cord 3M	2-7-8	
9-25x	EZ246936	Strain Relief SR-6W-1 (3 core)	26-3-11	
9-26x	EZ315448	Australia Cord		
9-27x	ZW273881	M4 Earth Lug		
9-28x	SM497542	AAL Power Supply Name Plate	CS-53	
9-29x	SM497553	AAL Power Supply Name Plate (Deck)	CS-55	
9-30	EJ233370	Power Plug Socket S-18010	40-2-	
9-31x	EJ497564	Fuse Terminal Plate (D-CSA)	10106	
9-32x	EJ254970	Lug Plate KPIL1 (AAL)	33-3	
9-33	EF277402	Fuse ST-2 1A	39-1	
9-34x	EF460653	Fuse ST-1 1A (AAL)	39-	
JACK PLATE BLOCK				
9-35x	BZ491185	Jack Plate Block Comp.		
9-36x	BZ493817	Jack Plate Block Comp. (Deck)		
9-37	UM490544	Jack Frame		
9-38	EJ391094	Mic. Jack 2PMJ1B		
9-39	EZ225180	Nylon Collar, Jack		
9-40	ZW376481	Jack Thin Washer		
9-41	ZW455275	Washer (Fiber) D9.1x11.7x0.25t		
9-42	ZW391680	E Jack Nut		
9-43	EJ454770	Mic. Jack 3PMJ1T		
9-44x	EJ442078	Mic. Jack 3PMJ4 (Deck)		
9-45x	ZW469383	M9 Toothed Lock Washer		
9-46	UM490566	Jack Plate Bracket		
9-47	ZW447772	Tapping Screw #2 3x6 (BR)		
9-48	UM490588	Jack Plate B, w/jack		
9-49x	UM490601	Jack Plate C, w/jack (Deck)		
9-50	EJ490555	Jack Plate B		
9-51x	EJ490577	Jack Plate C (Deck)		
9-52	ES379045	6P Slide Switch SJ-0282		
9-53x	ER498778	Carbon/R. RD1/4 510k (J)		
9-54x	ER380081	Carbon/R. RD1/4 4.3k (J)		
9-55x	ER345712	Carbon/R. RD1/4 22k (J)		
8-7x	EV490443	Volume V24N 50k A (Deck)	36-2-30	2
8-8x	ER324685	Carbon/R. RD1/4 33k (J) (Insu. type)	35-9-5	2
8-9x	EC329883	Mylar/C. 0.0056µF (J) 50WV (Vert. type)	24-1-1 CS-5316	2 1
8-10	UM490454	Switch Table B	CS-3	1
8-11	BZ491398	Tape Selector Switch Comp.	25-3-56	1
8-12	ES453407	Slide Switch LSL262B4	45-3-16	16
8-13	ED487484	Silicon Diode 1BA-459	23-1-4	1
8-14	EO368403	Ferri Inductor FL9H 33MH(J)		2
8-15	EC337500	Mylar 0.047µF (J) 50WV (Vert. type)	24-1-1	4
8-16	ZW379405	Iso Screw, biding head 3x6	25-3-74	1
8-17	ES490432	Slide Switch SSD02400 (SL type)	CS-5318	3
8-18	EA490465	Rec. Lamp P.C. Board	28-2-8	5
8-19x	EL295312	No. 2 Lamp 8V 0.2A		7
8-20	ZW406258	Tapping Screw #2 2.3x6 (round)	CS-5313	1
8-21	ZW447772	Taping Screw 3x6 (BR)	CS-5315	1
8-22	UM490487	Meter Base		2
8-23	EA490500	VU P.C. Board		
8-24x	EZ328320	Nylon Clip HP-5N		
8-25x	ZW497878	Tapping Screw #2 3x10, w/washer		
8-26	EM490476	VU Meter B-0384R	46-1-60	2
8-27	BA491354	Pre-amp. P.C. Board Comp. (CS-5307)	CS-3	1
8-28	UM388438	P.C. Board Angle	CS-5025	1
8-29	ZW447772	Tapping Screw #2 3x6 (BR)	CS-1304	1
8-30	MH490590	P.C. Board Prop	CS-5309	1
8-31	MH490612	P.C. Board Prop B	CS-5310	1
8-32	UM490623	Switch Shield Plate		
8-33	ZW273756	M3 Nut	CS-5311	1
8-34	UM490645	Shield Collar	CS-5306	1
8-35	MH490972	P.C. Board Prop A		
9-56	EC393671	MP/C. 6+1µF 150WVA (Lug type)		
9-57	ZW447772	Tapping Screw #2 3x6		
9-58	UM515474	Mic. Shield Plate		

When ordering parts, please describe Parts Number, Serial Number, and Model Number in

FIG. 9 ILLUSTRATION OF POWER SUPPLY & JACK PLATE BLOCK

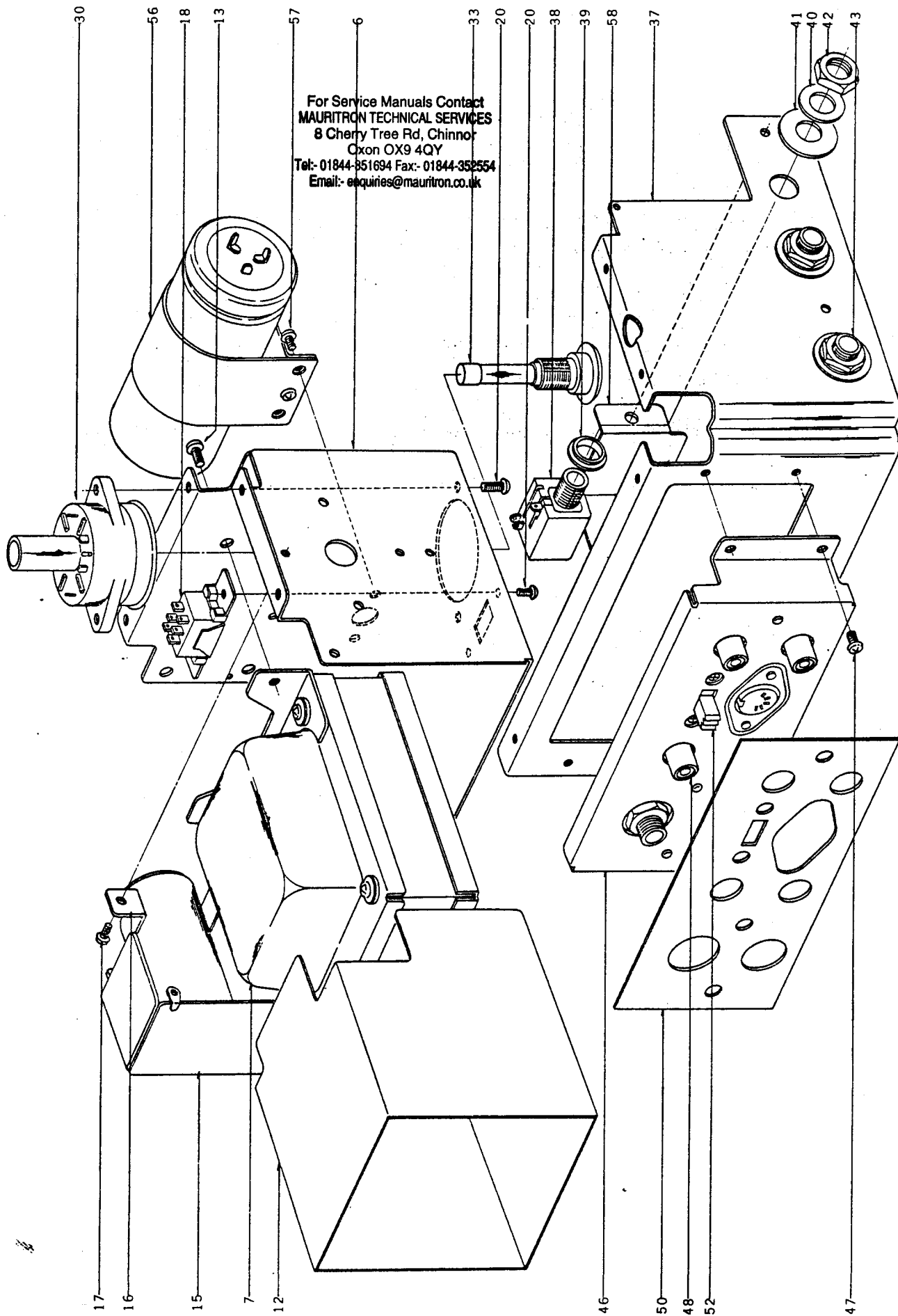
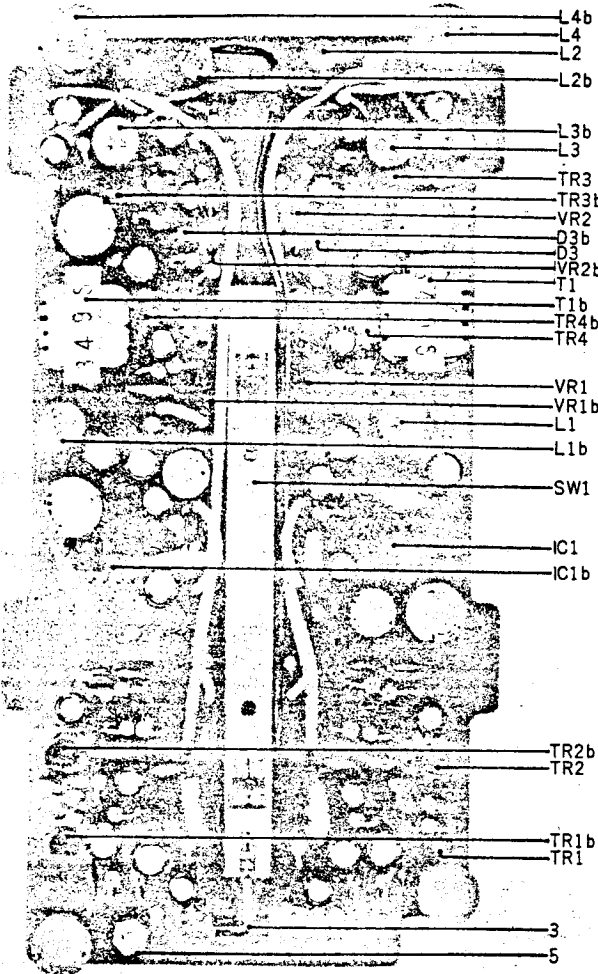


FIG. 10 PHOTO OF
PRE-AMP. P.C. BOARD (CS-5307)

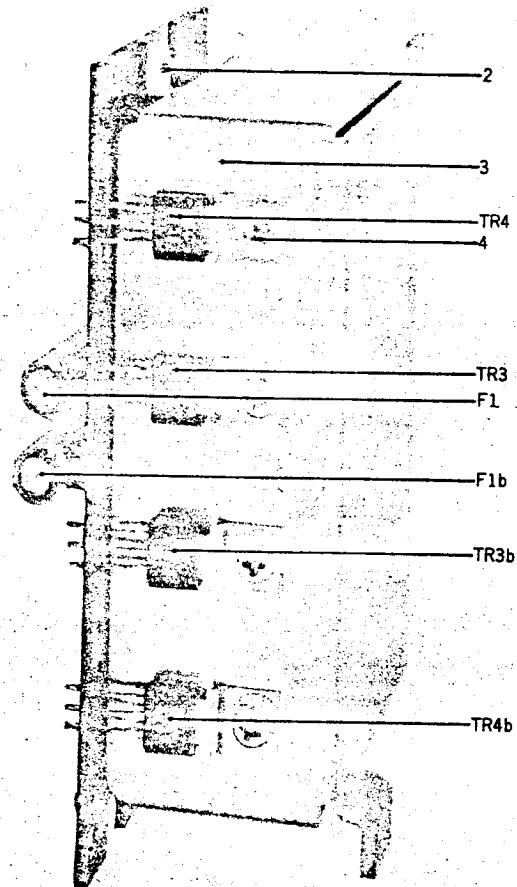
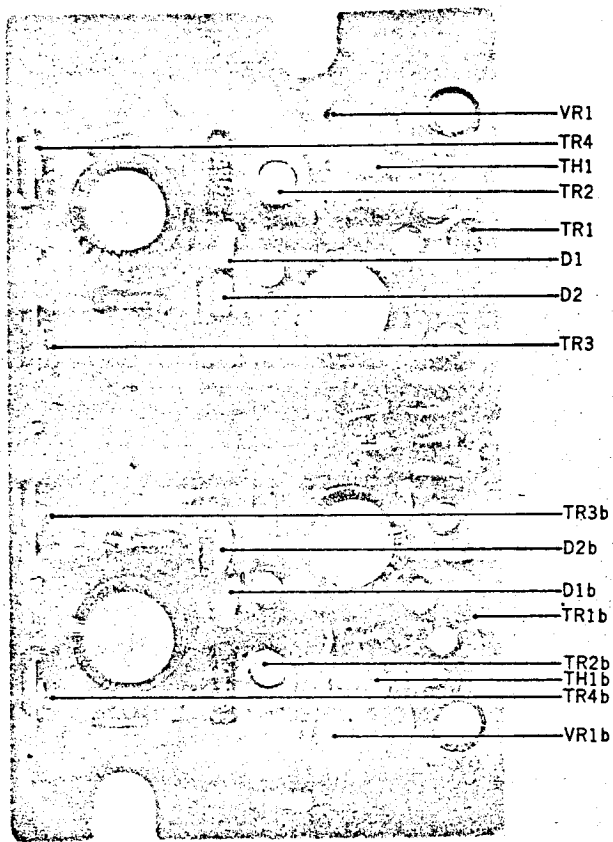


Symbol No.	Parts No.	Description	Q'ty
10-SW1	ES491016	Slide Switch CL214E11	1
10-3	MB407621	Switch Band	1
10-4x	MH490972	P.C. Board Prop A	1
10-5	ZW273756	M3 Nut	1
10-6x	EZ380428	F3 Type Pin	2
Capacitor, Vertical Type			
10-C1	EC350717	VFM 390PF (J) 50WV	2
10-C2	EC320051	Elect. 10μF 16WV	2
10-C3	EC336126	Elect. 47μF 25WV	2
10-C4	EC350875	Mylar 0.001μF (J) 50WV	2
10-C5,6	EC329771	Elect. 47μF 6.3WV	4
10-C7	EC350875	Mylar 0.001μF (J) 50WV	2
10-C8	EC320051	Elect. 10μF 16WV	2
10-C9	EC220432	Elect. 2.2μF 25WV	2
10-C10	EC379170	Mylar 0.1μF (J) 50WV	2
10-C11	EC350616	VFM 50PF (J) 50WV	2
10-C12	EC389485	Mylar 0.018μF (J) 50WV	2
10-C13	EC391004	Mylar 0.0033μF (J) 50WV	2
10-C14	EC329850	VFM 220PF (J) 50WV	2
10-C15	EC336126	Elect. 47μF 25WV	2
10-C16	EC320051	Elect. 10μF 16WV	2
10-C17	EC329771	Elect. 47μF 6.3WV	2
10-C18,9	EC220994	Elect. 10μF 25WV	4
10-C20	EC220364	Elect. 100μF 6.3WV	2
10-C21	EC389237	VFM 200PF (J) 50WV	2
10-C22	EC320051	Elect. 10μF 16WV	2
10-C23	EC336126	Elect. 47μF 25WV	2
10-C24	EC320051	Elect. 10μF 16WV	2
10-C25	EC368335	Mylar 0.022μF (J) 50WV	2
10-C26	EC379787	Mylar 0.0039μF (J) 50WV	2
10-C27	EC450527	Elect. 4.7μF 25WV	2
10-C28	EC389237	VFM 200PF (J) 50WV	2
10-C29	EC441123	VFM 300PF (J) 50WV	2
10-C30	EC320051	Elect. 10μF 16WV	2
10-C31	EC220994	Elect. 10μF 25WV	2
Resistor, Stopper Type			
10-R1	ER212883	Carbon RD1/4 4.7k (J)	2
10-R2	ER430020	Carbon RD1/4 13k (J)	2
10-R3	ER426857	Carbon RD1/4 270k (J)	2
10-R4	ER336442	Carbon RD1/4 10k (J)	2
10-R5	ER357570	Carbon RD1/4 150k (J)	2
10-R6	ER212681	Carbon RD1/4 330 (J)	2
10-R7	ER212264	Carbon RD1/4 22k (J)	2
10-R8	ER212883	Carbon RD1/4 4.7k (J)	2
10-R9	ER343078	Carbon RD1/4 2.7k (J)	2
10-R10	ER336442	Carbon RD1/4 10k (J)	2
10-R11	ER342933	Carbon RD1/4 27k (J)	2
10-R12	ER407316	Carbon RD1/4 24k (J)	2
10-R13	ER391961	Carbon RD1/4 91k (J)	2
10-R14	ER212872	Carbon RD1/4 4.3k (J)	2
10-R15	ER212883	Carbon RD1/4 4.7k (J)	2
10-R16	ER306887	Carbon RD1/4 15k (J)	2
10-R17	ER349907	Carbon RD1/4 33k (J)	2
10-R18	ER336442	Carbon RD1/4 10k (J)	2
10-R19	ER430018	Carbon RD 1/4 1 (J)	2
10-R20	ER211757	Carbon RD1/4 100k (J)	2
10-R21	ER306360	Carbon RD1/4 6.8k (J)	2
10-R22	ER357412	Carbon RD1/4 220 (J)	2
10-R23	ER306887	Carbon RD1/4 15k (J)	2
10-R24	ER211465	Carbon RD1/4 1k (J)	2
10-R25	ER343078	Carbon RD1/4 2.7k (J)	2
10-R26	ER324202	Carbon RD1/4 5.1k (J)	2
10-R27	ER212477	Carbon RD1/4 3.3k (J)	2
10-R28,9	ER361528	Carbon RD1/4 56k (J)	4
10-R30	ER357456	Carbon RD1/4 2.2k (J)	2
10-R31	ER213096	Carbon RD1/4 510 (J)	2

PRE-AMP. P.C. BOARD (CS-5307) BLOCK

Symbol No.	Parts No.	Description	Q'ty
10-1x	BA491354	Pre-amp. P.C. Board Comp. (CS-5307) 65/D	1
10-2x	BA499173	Pre-amp. P.C. Board Comp. (CS-5307) 60/D	1
10-IC1	EI412413	Line Amp. I.C. LD-3141	2
10-TR1,2	ET234854	Transistor 2SC458LG (C)	4
10-TR3,4	ET453486	Transistor 2SC711 (E) (F)	4
10-D3	ED219464	Germanium Diode 1N34A	2
10-L1	EO368403	Ferri Inductor FL9H 33MH (J)	2
10-L2	EO321254	Ferri Inductor FL7H 5.6MH (J)	2
10-L3	EO368403	Ferri Inductor FL9H 33MH (J)	2
10-L4	EO493626	Inductor 1158 22MH (J)	2
10-T1	BT490702	Head Phone Trans. N19-349S	2
10-VR1	EV329152	Semi-fixed Volume V10K5-2-4 30k B	2
10-VR2	EV337577	Semi-fixed Volume V10K5-2-4 2k B	2

FIG. 11 PHOTO OF MAIN AMP. P.C. BOARD (CS-5319)



MAIN AMP. P.C. BOARD (CS-5319) BLOCK

Symbol No.	Parts No.	Description	Q'ty	Symbol No.	Parts No.	Description	Q'ty
11-1x	BA491220	Main Amp. P.C. Board Comp. (CS-5319)	1	11-C7	EC331705	Elect. 22 μ F 16WV	2
11-D1,2	ED224526	Silicon Diode 10D1	4	11-C8	EC350875	Mylar 0.001 μ F (J) 50WV	2
11-TH1	ED453655	Thermister 42D26	2	11-C9	EC331817	Elect. 470 μ F 25WV	2
11-TR1	ET398845	Transistor 2SC871 (E) (F)	2	11-C10	EC379214	Mylar 0.047 μ F (J) 50WV	2
11-TR2	ET490871	Transistor 2SC971 (2) (3)	2			Resistor, Stopper Type	
11-TR3	ET465208	Transistor 2SC1098 (L) (K)	2	11-R1,2	ER211757	Carbon RD1/4 100k (J)	4
11-TR4	ET465265	Transistor 2SA636 (L) (K)	2	11-R3	ER211465	Carbon RD1/4 1k (J)	2
11-VR1	EV499836	Semi-fixed Volume V10K8-1-2 30k B	2	11-R4	ER211667	Carbon RD1/4 100 (J)	2
11-F1	EF453666	Fuse ST-3 0.7A	2	11-R5	ER211465	Carbon RD1/4 1k (J)	2
11-2	ZW200687	Tapping Screw #2 3x6 (round)	2	11-R6	ER357456	Carbon RD1/4 2.2k (J)	2
11-3	EZ490882	Heat-sink Plate	1	11-R7	ER212477	Carbon RD1/4 3.3k (J)	2
11-4	ZW413155	Screw, binding head 3x6	4	11-R8	ER349942	Carbon RD1/4 8.2k (J)	2
		Capacitor, Vertical Type		11-R9,10	ER349784	Carbon RD1/4 390 (J)	4
11-C1	EC350706	Elect. 4.7 μ F 16WV	2	11-R11	ER357535	Carbon RD1/4 39k (J)	2
11-C2	EC290520	VFM 100PF (J) 50WV	2	11-R12	ER306360	Carbon RD1/4 6.8k (J)	2
11-C3	EC331828	Elect. 3.3 μ F 25WV	2	11-R13	ER304290	Carbon RD1/4 10 (J)	2
11-C4	EC372148	Elect. 220 μ F 35WV	2	11-R14	ER361642	Carbon RD1/4 47 (J)	2
11-C5	EC320051	Elect. 10 μ F 16WV	2	11-R15	ER347038	Carbon RD1/4 270 (J)	2
11-C6	EC220364	Elect. 100 μ F 6.3WV	2	11-R16,17	ER453677	Wire-wound 1/2WL 0.5 (J)	4
				11-R18	ER399723	Carbon RD1/4 4.7 (J)	2
				11-R19	ER336442	Carbon RD1/4 10k (J)	2

For Service Manuals Contact
MAURITRON TECHNICAL SERVICES
 8 Cherry Tree Rd, Chinnor
 Oxon OX9 4QY
 Tel: 01844-351694 Fax: 01844-352554
 Email: enquiries@mauritron.co.uk

FIG. 12 PHOTO OF
SYS. CON. P.C. BOARD (CS-5321)

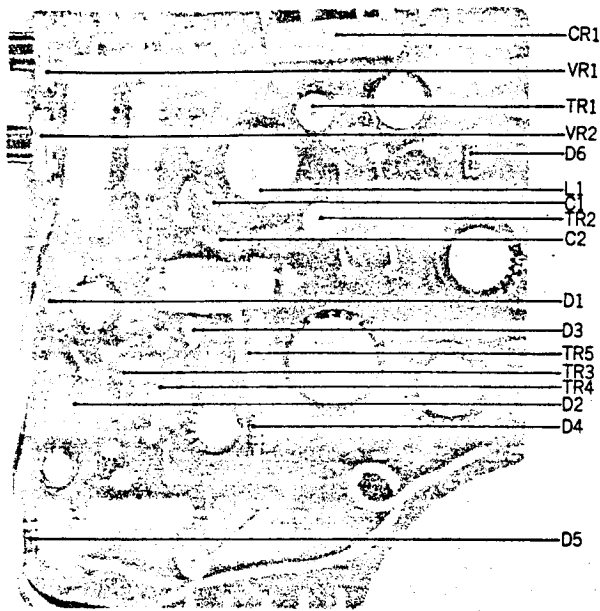
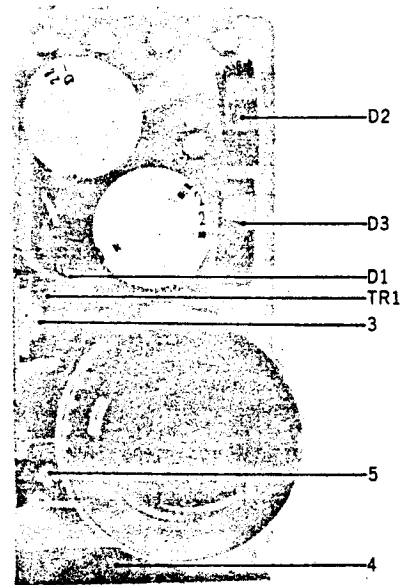


FIG. 13 PHOTO OF
POWER SUPPLY P.C. BOARD (CS-5323)



SYS. CON. P.C. BOARD (CS-5321) BLOCK

Symbol No.	Parts No.	Description	Q'ty
12-1x	BA491095	Sys. Con. P.C. Board Comp. (CS-5321)	1
12-2x	BA497867	Sys. Con. P.C. Board Comp. (CS-5321) (AAL)	1
12-TR1,2	ET453690	Transistor 2SC968 (2) (3) (red)	2
12-TR3,4	ET453486	Transistor 2SC711 (E) (F)	2
12-TR5	ET511233	Transistor 1SC1061 (C) (D)	1
12-D1,2	ED398801	Silicon Diode WG1010A	2
12-D3	ED219464	Germanium Diode 1N34A	1
12-D4 to 6	ED224526	Silicon Diode 10D1	3
12-CR1	ER450797	Spark Quencher U/L	1
12-VR1,2	EV407643	Semi-fixed Volume V10K-5 500k B	2
12-L1	EO453521	OSC. Coil OT-803	1
Capacitor, Vertical Type			
12-C1,2	EC270483	FM FM 100PF (J) 500WV	2
12-C3	EC460091	Plustic Film 300PF (J) 500WV	1
12-C4,5	EC250841	Mylar 0.01μF (J) 50WV	2
12-C6,7	EC220994	Elect. 10μF 25WV	2
12-C8	EC320040	Elect. 47μF 26WV	1
12-C9	EC220994	Elect. 10μF 25WV	1
12-C10	EC337533	Elect. 220μF 50WV	1
12-C11	EC339096	Elect. 470μF 16WV	1
12-C12	EC313121	Elect. 220μF 25WV	1
Resistor, Stopper Type			
12-R1,2	ER349907	Carbon RD1/4 33k (J)	2
12-R3	ER304402	Carbon RD1/4 470 (J)	1
12-R4,5	ER315944	Carbon RD1/4 3.3 (J)	2
12-R6	ER212883	Carbon RD1/4 4.7k (J)	1
12-R7	ER490781	Metal Oxide Film 3W 390 (J)	1
12-R8	ER490803	Metal Oxide Film 2W 680 (J)	1
12-R9	ER212883	Carbon RD1/4 4.7k (J)	1
12-R10	ER380711	Carbon RD1/4 220k (J)	1
12-R11	ER336442	Carbon RD1/4 10k (J)	1
12-R12	ER346601	Carbon RD1/4 47k (J)	1
12-R13	ER212883	Carbon RD1/4 4.7k (J)	1
12-R14	ER211667	Carbon RD1/4 100 (J)	1
12-R15	ER212264	Carbon RD1/4 22k (J)	1
12-R16	ER336442	Carbon RD1/4 10k (J)	1
12-R17	ER430042	Carbon RD1/4 2.4k (J)	1
12-R18	ER490825	Metal Oxide Film 2W 560 (K)	1
12-R19	ER211465	Carbon RD1/4 1k (J)	1
12-R21	ER490847	Metal Oxide Film 1W 270 (K)	1

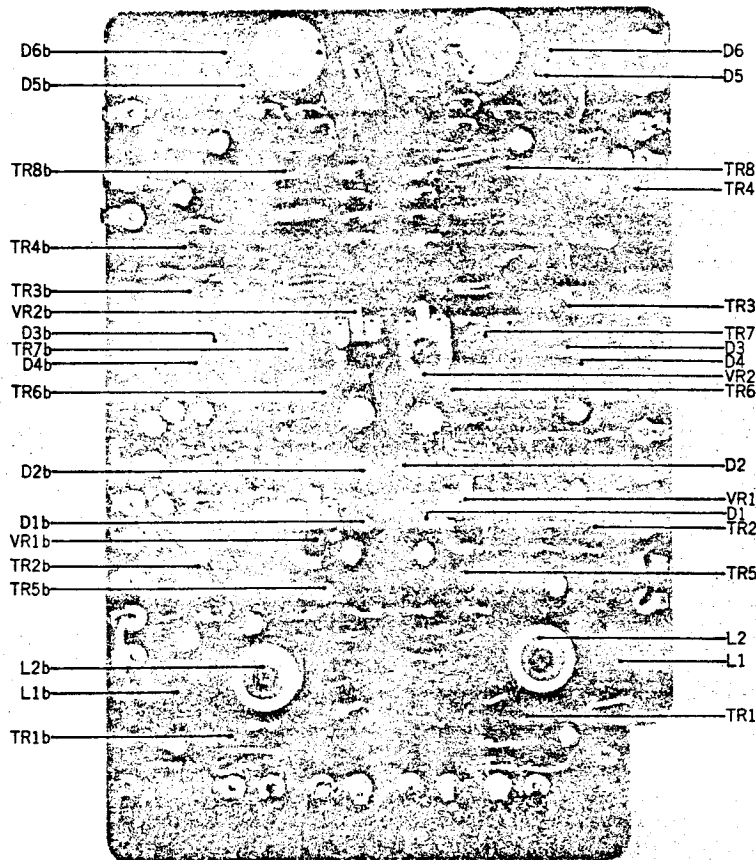
**POWER SUPPLY
P.C. BOARD (CS-5323) BLOCK**

Symbol No.	Parts No.	Description	Q'ty
13-1x	BA493806	Power Supply P.C. Board (A) Comp. (CS-5323)	1
13-2x	BA493830	Power Supply P.C. Board (D) Comp. (CS-5323) (Deck)	1
13-TR1	ET465208	Transistor 2SC1098 (L) (K)	1
13-D1	ED491422	Zener Diode BZ 240	1
13-D2	ED329130	Silicon Diode 10DC-1 (black)	1
13-D3	ED329128	Silicon Diode 10DC-1 (red)	1
13-3	ZW417137	Screw, binding head 3x4	1
13-4	EZ491207	Power Heat-sink Plate	1
13-5	ZW323728	Screw, binding head 3x5	1
13-6x	EZ380428	F3 Type Pin (Deck)	1
13-7x	UM388214	P.C. Board Retaining Plate (Deck)	1
13-8x	ZW413155	Screw, binding head 3x6 (Deck)	2
13-9x	ZW273778	M3 Earth Lug (Deck)	1
13-10x	ZW447772	Tapping Screw #2 3x6 (BR) (Deck)	1
Capacitor, Vertical Type			
13-C1,2	EC313121	Elect. 220μF 25WV	2
13-C3	EC389553	Elect. 2200μF 35WV	1
13-C3	EC444082	Elect. 470μF 35WV (Deck)	1
13-R1	ER363644	Carbon RD1/4 560 (J)	1

DOLBY P.C. BOARD (CS-5326) BLOCK

Symbol No.	Parts No.	Description	Q'ty
14-1x	BA491275	Dolby P.C. Board Comp. (CS-5326)	1
14-TR1	ET234854	Transistor 2SC458LG (C)	2
14-TR2	ET329218	Transistor 2SC458 (C)	2
14-TR3	ET234854	Transistor 2SC458LG (C)	2

FIG. 14 PHOTO OF DOLBY P.C. BOARD (CS-5326)

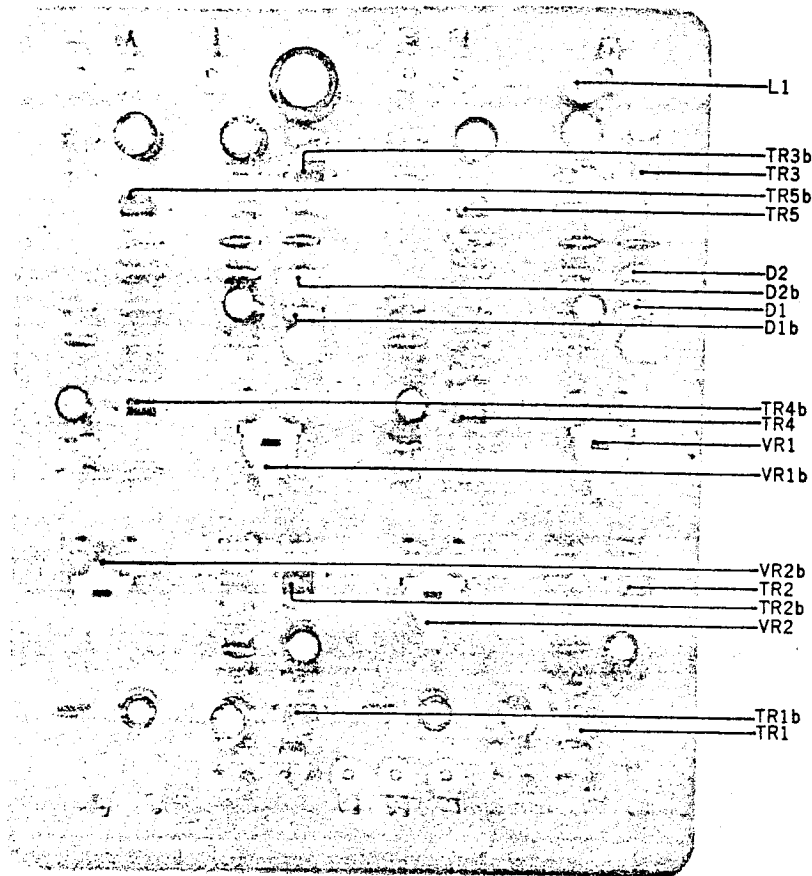


For Service Manuals Contact
MAURITRON TECHNICAL SERVICES
 8 Cherry Tree Rd, Chinnor
 Oxon OX9 4QY
 Tel: 01844-351694 Fax: 01844-352554
 Email: enquiries@mauritron.co.uk

Symbol No.	Parts No.	Description	Q'ty	Symbol No.	Parts No.	Description	Q'ty
14-TR4	ET329218	Transistor 2SC458 (C)	2	14-R2	ER212477	Carbon RD1/4 3.3k (J)	2
14-TR5	ET491051	FET 2SK30 GR	2	14-R3	ER426857	Carbon RD1/4 270k (J)	2
14-TR6	ET234854	Transistor 2SC458LG (C)	2	14-R4	ER346601	Carbon RD1/4 47k (J)	2
14-TR7	ET350335	Transistor 2SA564 (Q)	2	14-R5	ER212477	Carbon RD1/4 3.3k (J)	2
14-TR8	ET329218	Transistor 2SC458 (C)	2	14-R6	ER304402	Carbon RD1/4 470 (J)	2
14-D1	ED219464	Germanium Diode 1N34A	2	14-R7	ER211858	Carbon RD1/4 12k (J)	2
14-D2	ED491130	Zener Diode WZ085	2	14-R8	ER211667	Carbon RD1/4 100 (J)	2
14-D3,4	ED487484	Silicon Diode 1BA-459	4	14-R9	ER211858	Carbon RD1/4 12k (J)	2
14-D5	ED219464	Germanium Diode 1N34A	2	14-R10	ER343078	Carbon RD1/4 2.7k (J)	2
14-D6	ED487484	Silicon Diode 1BA-459	2	14-R11	ER349907	Carbon RD1/4 33k (J)	2
14-VR1	EV499364	Semi-fixed Volume		14-R12	ER357570	Carbon RD1/4 150k (J)	2
		V10K8-4-2 5k B	2	14-R13	ER212174	Carbon RD1/4 180k (J)	2
14-VR2	EV499375	Semi-fixed Volume		14-R14	ER357570	Carbon RD1/4 150k (J)	2
		V10K8-4-2 500 B	2	14-R15,6	ER212264	Carbon RD1/4 22k (J)	4
14-L1	EO496350	Inductor 146LY 36MH (J)	2	14-R17	ER211858	Carbon RD1/4 12k (J)	2
14-L2	EO496361	Inductor 6070GE 23MH (J)	2	14-R18	ER343078	Carbon RD1/4 2.7k (J)	2
		Capacitor, Vertical Type		14-R19, 20	ER349907	Carbon RD1/4 33k (J)	4
14-C1	EC320051	Elect. 10 μ F 16WV	2	14-R21	ER357535	Carbon RD1/4 39k (J)	2
14-C2	EC379765	Mylar 0.0027 μ F (J) 50WV	2	14-R22	ER212477	Carbon RD1/4 3.3k (J)	2
14-C3	EC495865	Styrol 300PF (J) 50WV	2	14-R23	ER357456	Carbon RD1/4 2.2k (J)	2
14-C4	EC250683	Mylar 0.0022 μ F (J) 50WV	2	14-R24	ER349942	Carbon RD1/4 8.2k (J)	2
14-C5 to 8	EC320051	Elect. 10 μ F 16WV	8	14-R25	ER306843	Carbon RD1/4 1.2k (J)	2
14-C9	EC329883	Mylar 0.0056 μ F (J) 50WV	2	14-R26	ER430097	Carbon RD1/4 680k (J)	2
14-C10	EC337500	Mylar 0.0047 μ F (J) 50WV	2	14-R27	ER306887	Carbon RD1/4 15k (J)	2
14-C11	EC329861	Mylar 0.027 μ F (J) 50WV	2	14-R28 to 30	ER349942	Carbon RD1/4 8.2k (J)	6
14-C12	EC320051	Elect. 10 μ F 16WV	2	14-R31	ER336442	Carbon RD1/4 8.2k (J)	2
14-C13	EC379170	Mylar 0.1 μ F (J) 50WV	2	14-R32	ER349907	Carbon RD1/4 33k (J)	2
14-C14	EC493637	Elect. 47 μ F 10WV	2	14-R33	ER450011	Carbon RD1/4 120k (J)	2
14-C15	EC379170	Mylar 0.1 μ F (J) 50WV	2	14-R34	ER346601	Carbon RD1/4 47k (J)	2
14-C16	EC320051	Elect. 10 μ F 16WV	2	14-R35	ER343078	Carbon RD1/4 2.7k (J)	2
14-C19	EC379170	Mylar 0.1 μ F (J) 50WV	2	14-R36	ER211465	Carbon RD1/4 1k (J)	2
14-C20	EC320051	Elect. 10 μ F 16WV	2	14-R37	ER380913	Carbon RD1/4 33 (J)	2
14-C21	EC379170	Mylar 0.1 μ F (J) 50WV	2	14-R38	ER361642	Carbon RD1/4 47 (J)	2
14-C22	EC454961	Mylar 0.33 μ F (J) 50WV	2	14-R39	ER306887	Carbon RD1/4 15k (J)	2
		Resistor, Stopper Type		14-R40, 1	ER426857	Carbon RD 1/4 270k (J)	4
14-R1	ER336442	Carbon RD1/4 10k (J)	2	14-R42	ER380711	Carbon RD1/4 220k (J)	2
				14-R43	ER213467	Carbon RD1/4 820 (J)	2

When ordering parts, please describe Parts Number, Serial Number, and Model Number in detail.

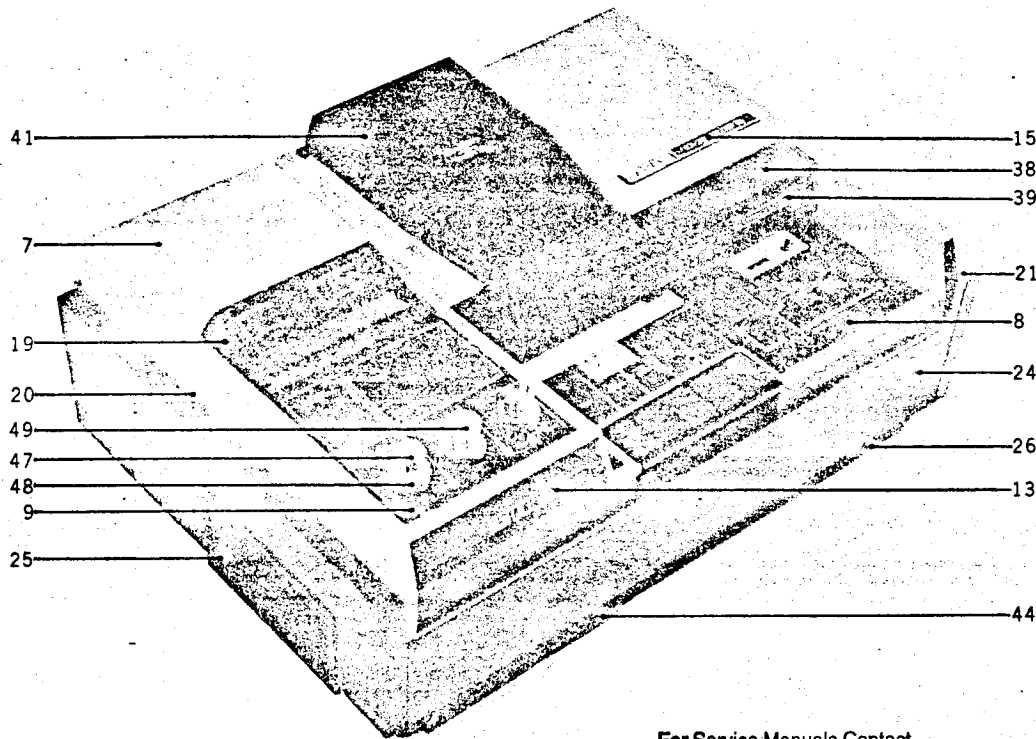
FIG. 15 PHOTO OF NOISE REDUCTION P.C. BOARD (CS-5327)



NOISE REDUCTION P.C. BOARD (CS-5327) BLOCK (60/D)

Symbol No.	Parts No.	Description	Q'ty	Symbol No.	Parts No.	Description	Q'ty
15-1x	BA499184	Noise Reduction P.C. Board Comp. (CS-5327)	1	Resistor, Stopper Type			
15-TR1	ET380834	Transistor 2SC711 (E)	2	15-R1	ER350100	Carbon RD1/4 68k (J)	2
15-TR2,3,4	ET234854	Transistor 2SC458LG (C)	6	15-R2	ER346601	Carbon RD1/4 47k (J)	2
15-TR5	ET380834	Transistor 2SC711 (E)	2	15-R3	ER306843	Carbon RD1/4 1.2k (J)	2
15-D1,2	ED487484	Silicon Diode 1BA-459	4	15-R4	ER343078	Carbon RD1/4 2.7k (J)	2
15-L1	EO243988	Ferri Inductor FL7H 3.3MH(J)	1	15-R5	ER212477	Carbon RD1/4 3.3k (J)	2
15-VR1	EV484863	Semi-fixed Volume V10K8-4-2 1k B	2	15-R6	ER380711	Carbon RD1/4 220k (J)	2
15-VR2	EV499882	Semi-fixed Vomue V10K8-4-2 300k B	2	15-R7	ER212264	Carbon RD1/4 22k (J)	2
Capacitor, Vertical Type				15-R8	ER357456	Carbon RD1/4 2.2k (J)	2
15-C1	EC320051	Elect. 10 μ F 16WV	2	15-R9	ER361563	Carbon RD1/4 180 (J)	2
15-C2	EC474671	VFM 10PF (K) 50WV	2	15-R11	ER343078	Carbon RD1/4 2.7k (J)	2
15-C3	EC450527	Elect. 4.7 μ F 25WV	2	15-R12	ER211465	Carbon RD1/4 1k (J)	2
15-C4	EC411827	Mylar 0.0082 μ F (J) 50WV	2	15-R13	ER362024	Carbon RD1/4 820k (J)	2
15-C5	EC220432	Elect. 2.2 μ F 25WV	2	15-R14	ER361528	Carbon RD1/4 56k (J)	2
15-C6	EC478945	Elect. 2.2 μ F 25WV (Noiseless)	2	15-R15	ER213030	Carbon RD1/4 5.6k (J)	2
15-C7	EC350875	Mylar 0.001 μ F (J) 50WV	2	15-R16	ER361563	Carbon RD1/4 180 (J)	2
15-C8	EC220432	Elect. 2.2 μ F 25WV	2	15-R17	ER212477	Carbon RD1/4 3.3k (J)	2
15-C9	EC380621	Mylar 0.0068 μ F (J) 50WV	2	15-R18	ER357456	Carbon RD1/4 2.2k (J)	2
15-C10	EC220994	Elect. 10 μ F 25WV	2	15-R19	ER429996	Carbon RD1/4 470k (J)	2
15-C11	EC350875	Mylar 0.001 μ F (J) 50WV	2	15-R20	ER361528	Carbon RD1/4 56k (J)	2
15-C12	EC220432	Elect. 2.2 μ F 25WV	2	15-R21	ER212883	Carbon RD1/4 4.7k (J)	2
15-C13	EC311793	Mylar 0.012 μ F (J) 50WV	2	15-R22, 3	ER304402	Carbon RD1/4 470 (J)	4
15-C14	EC220994	Elect. 10 μ F 25WV	2	15-R24	ER420322	Carbon RD1/4 36k (J)	2
15-C15	EC220151	Elect. 100 μ F 25WV	1	15-R25	ER211757	Carbon RD1/4 100k (J)	2
				15-R26	ER212883	Carbon RD1/4 4.7k (J)	2
				15-R27	ER336442	Carbon RD1/4 10k (J)	2
				15-R28	ER357456	Carbon RD1/4 2.2k (J)	2

FIG. 16 PHOTO OF FINAL ASSEMBLY BLOCK



For Service Manuals Contact
MAURITRON TECHNICAL SERVICES
 8 Cherry Tree Rd, Chinnor
 Oxon OX9 4QY
 Tel: 01844-351694 Fax: 01844-352554
 Email: enquiries@mauritron.co.uk

FINAL ASSEMBLY BLOCK

Ref. No.	Parts No.	Description	Schematic No.	Q'ty	Ref. No.	Parts No.	Description	Schematic No.	Q'ty
CASE BLOCK									
16-1x	BC493738	Case Block Comp. (65)	CS-3	1	16-28x	SP497215	Lower Cover E (AAL)	CS-6321	1
16-2x	BC493740	Case Block Comp. (65D)	CS-3	1	16-29x	SP497226	Lower Cover F (D-AAL)	CS-6321	1
16-3x	BC511514	Case Block Comp. (AAL)	CS-3	1	16-30x	SP491668	Lower Cover A (60)	CS-6321	1
16-4x	BC511525	Case Block Comp.	CS-3	1	16-31x	SP491624	Lower Cover B (60D)	CS-6321	1
		(D-AAL, CSA)	CS-3	1	16-32x	WM371654	ED Foot	ED-620	4
16-5x	BC499138	Case Block Comp. (60)	CS-3	1	16-33x	ZW428308	Tapping Screw #2 4x12 (binding)		4
16-6x	BC499140	Case Block Comp. (60D)	CS-3	1	FINAL ASSEMBLY BLOCK				
16-7	BC490904	Case (CS-3)	CS-6301	1	16-34x	ZW273745	M3 Spring Washer		5
16-8	UM490948	Mech. Plate	CS-6305	1	16-35x	ZW417194	Screw, binding head 3x10		5
16-9	UM490983	Amp. Plate C (65)	CS-6308	1	16-36x	ZW414336	Screw, truss head 3x6, w/washer		5
16-10x	UM491027	Amp. Plate D (65D)	CS-6308	1	16-37x	ZW437051	Screw, binding head 3x10, w/washer		2
16-11x	UM491128	Amp. Plate A (60)	CS-6308	1	16-38	SE491670	Case Escutcheon	CS-6316	1
16-12x	UM491163	Amp. Plate B (60D)	CS-6308	1	16-39	UM491635	Escutcheon Plate	CS-6317	1
16-13	SM491062	Dolby Name Plate	CS-6311	1	16-40x	ZW493931	Screw, countersunk head 3x20		1
16-14x	SM491106	Noise Reduction Name Plate	CS-6312	1	16-41	UM491591	Window Cover	CS-6318	1
16-15	SM491613	Name Plate (65)	CS-6313	1	16-42x	ZW493942	Tapping Screw #1 3x8 (BR)		1
16-16x	SM491578	Name Plate (65D)	CS-6313	1	16-43x	UM477358	Cassette Insert Name Plate	CG-1098	1
16-17x	SM491141	Name Plate (60)	CS-6313	1	16-44	SE491501	Mic. Jack Escutcheon	CS-6323	1
16-18x	SM491657	Name Plate (60D)	CS-6313	1	16-45x	ZW201183	Screw, truss head 3x8		3
16-19	SE491534	Meter Escutcheon	CS-6314	1	16-46x	ZW259560	Washer (BSP) D3.3x5.8x0.25t		3
16-20	SP491490	Sash (left)	CS-6315	1	16-47	SK491466	Knob A	CS-6324	2
16-21	SP491455	Sash (right)	CS-6315	1	16-48	SK491602	Knob B	CS-6327	2
16-22x	ZW425103	Screw, countersunk head 3x10		4	16-49	SK491488	Knob C	CS-6336	1
16-23x	ZW469350	F Type Speed Nut M3		4	16-50x	EF371698	Fuse ST-4 0.5A	39-1-28	1
16-24	BC491512	Wood Frame	CS-6319	1	16-51x	EF277402	Fuse ST-2 1A	39-1-26	1
16-25	SE491477	Jack Plate Escutcheon	CS-6320	1					
16-26	SP491580	Lower Cover C (65)	CS-6321	1					
16-27x	SP491545	Lower Cover D (65D)	CS-6321	1					

When ordering parts, please describe Parts Number, Serial Number, and Model Number in detail.

INDEX

Parts No.	Ref. No. & Symbol No.	Parts No.	Ref. No. & Symbol No.	Parts No.	Ref. No. & Symbol No.	Parts No.	Ref. No. & Symbol No.	Parts No.	Ref. No. & Symbol No.
BA491095	12-1x	EC320051	10-C16	ED491422	13-D1	ER306887	10-R16	ER453677	11-R16,17
BA491220	11-1x	EC320051	10-C22	EF277402	9-33	ER306887	10-R23	ER490781	12-R7
BA491275	7-79	EC320051	10-C24	EF277402	16-51x	ER306887	14-R27	ER490803	12-R8
BA491275	14-1x	EC320051	10-C30	EF371698	16-50x	ER306887	14-R39	ER490825	12-R18
BA491354	8-27	EC320051	11-C5	EF453666	11-F1	ER315944	12-R4,5	ER490847	12-R21
BA491354	10-1x	EC320051	14-C1	EF460653	9-34x	ER324202	10-R26	ER498778	9-53x
BA493806	9-15	EC320051	14-C5 to 8	E1412413	10-IC1	ER324685	8-8x	ES250064	6-62
BA493806	13-1x	EC320051	14-C12	EJ233370	9-30	ER336442	10-R4	ES250064	7-34
BA493830	13-2x	EC320051	14-C16	EJ254970	9-32x	ER336442	10-R10	ES375478	9-18
BA497867	12-2x	EC320051	14-C20	EJ331435	2-13	ER336442	10-R18	ES379045	9-52
BA499173	10-2x	EC320051	15-C1	EJ338005	6-65	ER336442	11-R19	ES389700	6-11
BA499184	7-80x	EC329771	10-C5,6	EJ391094	9-38	ER336442	12-R11	ES403727	6-79x
BA499184	15-1x	EC329771	10-C17	EJ442078	9-44x	ER336442	12-R16	ES412481	6-78
BC385143	2-22	EC329850	10-C14	EJ454770	9-43	ER336442	14-R1	ES453407	8-12
BC490904	16-7	EC329861	14-C11	EJ490555	9-50	ER336442	14-R31	ES490432	8-17
BC491512	16-24	EC329883	8-9x	EJ490577	9-51x	ER336442	15-R27	ES491016	10-SW1
BC493738	16-1x	EC329883	14-C9	EJ497564	9-31x	ER342933	10-R11	ES494188	6-106
BC493740	16-2x	EC331705	11-C7	EL295312	7-69x	ER343078	10-R9	ET234854	10-TR1,2
BC499138	16-5x	EC331817	11-C9	EL295312	8-19x	ER343078	10-R25	ET234854	14-TR1
BC499140	16-6x	EC331828	11-C3	EL390576	7-68x	ER343078	14-R10	ET234854	14-TR3
BC511514	16-3x	EC336126	10-C3	EM490476	7-78x	ER343078	14-R18	ET234854	14-TR6
BC511525	16-4x	EC336126	10-C15	EM490476	8-26	ER343078	14-R35	ET234854	15-TR2,3,4
BF387213	2-25	EC336126	10-C23	EO243988	15-L1	ER343078	15-R4	ET329218	14-TR2
BH491264	1-1x	EC337500	8-15	EO321254	10-L2	ER343078	15-R11	ET329218	14-TR4
BK490994	7-61	EC337500	14-C10	EO368403	8-14	ER345712	9-55x	ET329218	14-TR8
BM390115	2-1x	EC337533	12-C10	EO368403	10-L1	ER346601	12-R12	ET350335	14-TR7
BP493784	9-1x	EC339096	12-C11	EO368403	10-L3	ER346601	14-R4	ET368921	1-18x
BP493795	9-2x	EC341842	6-67	EO453521	12-L1	ER346601	14-R34	ET380834	15-TR1
BP511650	9-3x	EC350616	10-C11	EO493626	10-L4	ER346601	15-R2	ET380834	15-TR5
BP511661	9-4x	EC350706	11-C1	EO496350	14-L1	ER347038	11-R15	ET398845	11-TR1
BP511672	9-5x	EC350717	10-C1	EO496361	14-L2	ER349784	11-R9,10	ET453486	10-TR3,4
BT490702	10-T1	EC350875	10-C4	EP391566	5-28	ER349907	10-R17	ET453486	12-TR3,4
BT491286	9-8x	EC350875	10-C7	ER211465	10-R24	ER349907	12-R1,2	ET453690	12-TR1,2
BT491321	9-7	EC350875	11-C8	ER211465	11-R3	ER349907	14-R11	ET465208	11-TR3
BT497518	9-10x	EC350875	15-C7	ER211465	11-R5	ER349907	14-R19,20	ET465208	13-TR1
BT497520	9-11x	EC350875	15-C11	ER211465	12-R19	ER349907	14-R32	ET465265	11-TR4
BT497531	9-9x	EC368335	10-C25	ER211465	14-R36	ER349942	11-R8	ET490871	11-TR2
BZ390071	3-1x	EC372148	11-C4	ER211465	15-R12	ER349942	14-R24	ET491051	14-TR5
BZ469282	6-1x	EC379170	10-C10	ER211667	11-R4	ER349942	14-R28 to 30	ET511233	12-TR5
BZ469304	4-13x	EC379170	14-C13	ER211667	12-R14	ER350100	15-R1	EV329152	10-VR1
BZ491185	9-35x	EC379170	14-C15	ER211667	14-R8	ER357412	10-R22	EV337577	10-VR2
BZ491398	8-11	EC379170	14-C19	ER211757	10-R20	ER357456	10-R30	EV407643	12-VR1,2
BZ491433	8-1x	EC379170	14-C21	ER211757	11-R1,2	ER357456	11-R6	EV411772	8-5
BZ493773	5-24x	EC379214	11-C10	ER211757	15-R25	ER357456	14-R23	EV484863	15-VR1
BZ493817	9-36x	EC379765	14-C2	ER211858	14-R7	ER357456	15-R8	EV490410	8-6
BZ493828	8-2x	EC379787	10-C26	ER211858	14-R9	ER357456	15-R18	EV490443	8-7x
BZ493964	5-13x	EC380621	15-C9	ER211858	14-R17	ER357456	15-R23	EV493885	8-4
BZ493964	5-67x	EC389237	10-C21	ER212174	14-R13	ER357535	11-R11	EV499364	14-VR1
BZ493986	4-1x	EC389237	10-C28	ER212264	10-R7	ER357535	14-R21	EV499375	14-VR2
BZ511648	5-25x	EC389485	10-C12	ER212264	12-R15	ER357570	10-R5	EV499836	11-VR1
BZ514901	5-1x	EC389553	13-C3	ER212264	14-R15,6	ER357570	14-R12	EV499882	15-VR2
EA388506	1-17	EC391004	10-C13	ER212264	15-R7	ER357570	14-R14	EZ223817	9-19x
EA490465	7-66	EC393671	7-83x	ER212477	10-R27	ER361528	10-R28,9	EZ225180	9-39
EA490465	8-18	EC393671	9-56	ER212477	11-R7	ER361528	15-R14	EZ246936	9-25x
EA490500	8-23	EC411827	15-C4	ER212477	14-R2	ER361528	15-R20	EZ315448	9-26x
EA498925	7-65	EC441123	10-C29	ER212477	14-R5	ER361563	15-R9	EZ328320	8-24x
EC220151	15-C15	EC444082	13-C3	ER212477	14-R22	ER361563	15-R16	EZ380428	10-6x
EC220364	10-C20	EC450527	10-C27	ER212477	15-R5	ER361642	11-R14	EZ380428	13-6x
EC220364	11-C6	EC450527	15-C3	ER212477	15-R17	ER361642	14-R38	EZ382263	9-23x
EC220432	10-C9	EC454961	14-C22	ER212681	10-R6	ER362024	15-R13	EZ383938	9-24x
EC220432	15-C5	EC460091	12-C3	ER212872	10-R14	ER363644	13-R1	EZ490882	11-3
EC220432	15-C8	EC474671	15-C2	ER212883	10-R1	ER380081	9-54x	EZ491207	13-4
EC220432	15-C12	EC478945	15-C6	ER212883	10-R8	ER380711	12-R10	HE451945	1-29
EC220994	10-C18,9	EC493637	14-C14	ER212883	10-R15	ER380711	14-R42	HL497608	1-4
EC220994	10-C31	EC495865	14-C3	ER212883	12-R6	ER380711	15-R6	HP451934	1-21
EC220994	12-C6,7	ED219464	10-D3	ER212883	12-R9	ER380913	14-R37	HZ407957	6-107
EC220994	12-C9	ED219464	12-D3	ER212883	12-R13	ER391961	10-R13	MB229138	7-86x
EC220994	15-C10	ED219464	14-D1	ER212883	15-R21	ER399723	11-R18	MB259233	7-87x
EC220994	15-C14	ED219464	14-D5	ER212883	15-R26	ER407316	10-R12	MB387101	3-43
EC250683	14-C4	ED224526	11-D1,2	ER213030	15-R15	ER420322	15-R24	MB387235	2-26
EC250841	12-C4,5	ED224526	12-D4 to 6	ER213096	10-R31	ER426857	10-R3	MB387235	3-44
EC270483	12-C1,2	ED329128	13-D3	ER213467	14-R43	ER426857	14-R3	MB387246	2-28
EC290520	11-C2	ED329130	13-D2	ER304290	11-R13	ER426857	14-R40,1	MB388350	9-16
EC311793	15-C13	ED398801	12-D1,2	ER304402	12-R3	ER429996	15-R19	MB407621	10-3
EC313121	12-C12	ED453655	11-TH1	ER304402	14-R6	ER430018	10-R19	MB468450	5-89
EC313121	13-C1,2	ED487484	8-13	ER304402	15-R22,3	ER430020	10-R2	MB468450	5-95
EC313121	14-C23	ED487484	14-D3,4	ER306360	10-R21	ER430042	12-R17	MC389711	6-68
EC320040	12-C8	ED487484	14-D6	ER306360	11-R12	ER430097	14-R26	MH490590	7-74x
EC320051	10-C2	ED487484	15-D1,2	ER306843	14-R25	ER450011	14-R33	MH490590	8-30
EC320051	10-C8	ED491130	14-D2	ER306843	15-R3	ER450797	12-CR1	MH490612	7-75x

INDEX

Parts No.	Ref. No. & Symbol No.	Parts No.	Ref. No. & Symbol No.	Parts No.	Ref. No. & Symbol No.	Parts No.	Ref. No. & Symbol No.	Parts No.	Ref. No. & Symbol No.
MH490612	8-31	UM385334	6-81	UM387854	1-9	WM371654	16-32x	ZW270088	5-31
MH490972	8-35	UM385345	6-84	UM387900	6-2	WM455106	9-14x	ZW270088	5-51x
MH490972	10-4x	UM385367	7-21	UM387911	6-3	ZG366311	7-70	ZW270088	6-10x
MH491117	5-61	UM385402	7-17	UM387990	6-7	ZG366761	5-65	ZW270088	6-55x
MI429221	7-57	UM385424	6-41	UM388181	2-6	ZG370361	3-11	ZW270088	6-94x
MP400397	1-6	UM385435	7-8	UM388214	13-7x	ZG385075	3-10	ZW270088	7-23
MR375705	5-87	UM385446	6-43	UM388282	9-6	ZG385075	3-16	ZW270088	7-60x
MR386188	5-16	UM385468	6-39	UM388348	9-12	ZG385323	5-42	ZW270101	2-4
MR387033	6-93	UM385503	6-32	UM388438	7-73x	ZG385323	6-57	ZW270101	4-40
MR387606	3-7	UM385514	6-29	UM388438	8-28	ZG385323	7-27	ZW270101	5-36x
MR387696	3-21	UM385525	6-31	UM388528	7-4	ZG385457	6-44	ZW270101	5-44
MR388203	2-10	UM385536	6-37	UM388642	4-2	ZG385571	6-38	ZW270101	5-85
MR388732	4-41	UM385604	5-26	UM388697	4-6	ZG385795	5-54	ZW270101	6-30
MR415080	5-76	UM385637	5-60	UM388708	4-3	ZG385918	5-69	ZW270101	6-46
MR429827	3-28	UM385661	5-81	UM388710	4-32	ZG385986	5-41	ZW270101	7-9x
MR455938	4-27	UM385672	5-75	UM388776	4-33	ZG386190	5-18	ZW270101	7-53x
MS385176	6-24	UM385672	5-83	UM388787	4-37	ZG386234	7-54	ZW270123	4-50
MS385176	7-88	UM385740	5-38	UM388866	4-36	ZG386335	7-15x	ZW273633	2-24
MS385198	6-25	UM385751	5-37	UM388912	4-9	ZG386932	7-64	ZW273633	6-18
MS385198	7-44	UM385762	5-40	UM388978	4-19	ZG387134	7-32	ZW273688	1-28
MS385255	7-31	UM385806	5-47	UM389790	3-15	ZG387178	3-39	ZW273688	4-39
MS385266	7-13	UM385828	5-53	UM389968	1-10	ZG387281	1-15	ZW273688	6-14
MS386032	5-3	UM385830	5-56	UM394075	2-5	ZG387437	7-39	ZW273688	6-52
MS386818	7-48	UM385841	5-58	UM394200	3-14	ZG387448	4-47	ZW273690	5-101
MS386706	7-26	UM385863	5-34	UM394367	2-17	ZG387584	3-6	ZW273690	6-23
MS387044	6-99	UM385896	5-29	UM399071	1-31	ZG387718	3-24	ZW273690	6-83x
MS387540	7-5	UM385920	5-68	UM402996	4-25	ZG387821	3-35	ZW273690	7-7
MS387573	3-4	UM385942	5-63	UM403007	6-5	ZG387832	3-34	ZW273745	16-34x
MS389981	1-7	UM386054	5-6	UM407294	5-43	ZG387922	6-4	ZW273756	4-26
MS415530	5-82	UM386065	5-5	UM408420	4-21	ZG388034	6-8	ZW273756	6-21
MS415541	5-74	UM386076	5-92	UM415787	6-45	ZG388890	4-38	ZW273756	7-3
MV269965	4-29	UM386100	5-14	UM436836	5-48	ZG389970	1-14	ZW273756	7-45
MV269965	4-34	UM386111	5-10	UM446848	5-45	ZG389992	1-32	ZW273756	8-33
MV269965	6-103	UM386122	5-22	UM447186	2-19	ZG389992	6-105	ZW273756	10-5
MZ250413	6-64	UM386133	5-19	UM452428	5-8	ZG389992	7-36	ZW273778	5-27
MZ373318	2-15x	UM386166	5-15	UM455940	4-28	ZG392804	5-52	ZW273778	6-16x
MZ387088	6-69	UM386201	5-73	UM456287	6-75	ZG392826	6-34	ZW273778	9-21x
SB387055	6-96	UM386223	5-71	UM456311	5-79	ZG392837	5-39	ZW273778	13-9x
SE491477	16-25	UM386640	7-16	UM458717	5-64	ZG392837	5-57	ZW273881	9-27x
SE491501	16-44	UM386673	7-24	UM462508	5-96	ZG392848	4-4	ZW290283	4-5
SE491534	16-19	UM386684	7-25	UM462745	5-2	ZG394378	3-40	ZW290283	4-20
SE491670	16-38	UM386785	7-42	UM468898	4-14	ZG402895	1-27	ZW290283	5-33
SK387450	7-84x	UM386796	7-43	UM468900	4-43	ZG404921	6-70	ZW290283	5-55
SK387461	7-85x	UM386807	7-47	UM468944	4-17	ZG405257	6-60	ZW290283	6-28x
SK491466	16-47	UM386820	7-49	UM468966	7-37	ZG405270	4-35	ZW290283	6-36
SK491488	16-49	UM386831	7-52	UM469113	4-46	ZG414134	5-49	ZW290283	6-61
SK491602	16-48	UM386842	6-72	UM477358	16-43x	ZG452384	4-30	ZW290283	6-77
SM491062	16-13	UM386853	6-73	UM490408	8-3	ZG452430	5-9	ZW290283	7-19
SM491106	16-14x	UM386875	6-71	UM490454	8-10	ZG456120	6-76	ZW290283	7-46
SM491141	16-17x	UM386897	6-86	UM490487	8-22	ZG456131	5-80	ZW301948	7-71x
SM491578	16-16x	UM386908	6-87	UM490544	9-37	ZG468922	4-12	ZW304841	1-24
SM491613	16-15	UM386910	6-58	UM490566	9-46	ZW200687	3-37	ZW313593	4-49x
SM491657	16-18x	UM386921	6-59	UM490588	9-48	ZW200687	9-22x	ZW317171	3-19
SM497542	9-28x	UM386954	5-98	UM490601	9-49x	ZW200687	11-2	ZW318161	3-33
SM497553	9-29x	UM386965	2-16	UM490623	7-76x	ZW201003	1-30	ZW323728	5-23
SP491455	16-21	UM386976	7-33	UM490623	8-32	ZW201183	16-45x	ZW323728	6-49
SP491490	16-20	UM386987	6-92	UM490645	7-77x	ZW201396	1-13	ZW323728	6-74
SP491545	16-27x	UM387011	6-95x	UM490645	8-34	ZW201407	4-31	ZW323728	6-80x
SP491580	16-26	UM387066	6-97	UM490713	6-26	ZW201407	6-19x	ZW323728	6-88
SP491624	16-31x	UM387112	7-29	UM490746	7-11	ZW201475	4-11x	ZW323728	13-5
SP491668	16-30x	UM387123	7-30	UM490757	7-81	ZW201868	6-13	ZW326463	4-16x
SP497215	16-28x	UM387145	7-55	UM490948	16-8	ZW201903	1-19	ZW326463	4-48
SP497226	16-29x	UM387167	7-56	UM490983	16-9	ZW201925	2-23	ZW326463	6-27x
UC370348	3-17	UM387257	2-29	UM491027	16-10x	ZW257477	5-30	ZW345442	5-59
UC370372	3-18	UM387268	2-30	UM491073	7-72x	ZW259334	2-27	ZW355307	3-5
UM366625	1-20	UM387270	6-104	UM491128	16-11x	ZW259334	3-22	ZW356714	6-12x
UM384164	2-7	UM387347	6-89	UM491152	5-90	ZW259380	1-25x	ZW356804	2-11
UM384186	2-8	UM387358	6-90	UM491163	16-12x	ZW259514	7-18	ZW357658	4-8
UM385020	1-2	UM387360	6-91	UM491591	16-41	ZW259560	16-46x	ZW364342	1-11
UM385064	1-34	UM387393	4-23	UM491635	16-39	ZW259650	7-22	ZW364342	3-3
UM385086	6-15	UM387415	7-38	UM493053	3-2	ZW259661	3-25x	ZW364342	3-29
UM385086	7-1	UM387483	4-45	UM493064	3-20	ZW259738	5-35x	ZW364342	7-58x
UM385108	6-20	UM387617	3-8x	UM494190	6-109x	ZW259738	6-40x	ZW372025	9-20
UM385200	7-2	UM387630	3-9	UM497981	6-53	ZW259738	6-47	ZW374545	5-94x
UM385211	2-20	UM387641	3-12	UM497981	7-14	ZW259773	7-50x	ZW376481	9-40
UM385222	2-21	UM387720	3-27	UM497992	6-48	ZW259931	5-93	ZW377425	5-17
UM385233	5-99	UM387775	3-31	UM498870	7-20	ZW259931	6-35	ZW377425	5-102
UM385277	6-50	UM387786	3-32	UM499623	6-54	ZW270088	1-16x	ZW377425	7-41
UM385301	6-56	UM387808	3-38	UM515474	9-58	ZW270088	3-13	ZW379405	8-16
UM385312	6-22	UM387843	1-5	UM516813	1-33	ZW270088	3-26	ZW385356	7-10

INDEX

Parts No.	Ref. No. & Symbol No.	Parts No.	Ref. No. & Symbol No.	Parts No.	Ref. No. & Symbol No.	Parts No.	Ref. No. & Symbol No.	Parts No.	Ref. No. & Symbol No.
ZW385874	6-42	ZW455207	5-72x						
ZW385874	6-51	ZW455275	9-41						
ZW385874	6-82	ZW456107	4-18						
ZW388023	6-9	ZW462767	5-12						
ZW391386	4-10	ZW462925	9-13						
ZW391386	4-44	ZW464692	3-42						
ZW391397	1-8	ZW464692	7-67x						
ZW391397	1-12	ZW469350	16-23x						
ZW391397	3-23x	ZW469383	9-45x						
ZW391397	3-30	ZW477887	4-7						
ZW391410	1-26	ZW478991	2-31						
ZW391421	7-59x	ZW480791	5-77						
ZW391500	6-33	ZW480791	5-88						
ZW391680	9-42	ZW480802	5-78						
ZW396303	5-66x	ZW480802	5-84						
ZW396415	2-2	ZW493582	7-40						
ZW396426	2-3	ZW493931	16-40x						
ZW396437	7-51x	ZW493942	16-42x						
ZW399137	4-15	ZW497878	8-25x						
ZW402322	2-12	ZW513707	7-63						
ZW406258	8-20								
ZW413155	7-12x								
ZW413155	7-82x								
ZW413155	11-4								
ZW413155	13-8x								
ZW413188	5-21								
ZW413201	5-4								
ZW413201	5-20								
ZW413223	4-24								
ZW413223	4-42								
ZW413223	5-32x								
ZW413223	5-62								
ZW413223	6-6								
ZW413223	6-98								
ZW413223	7-62x								
ZW414066	7-35								
ZW414235	1-22								
ZW414246	1-23x								
ZW414336	16-36x								
ZW417025	2-14								
ZW417025	2-33								
ZW417025	4-51								
ZW417025	5-100								
ZW417137	13-3								
ZW417148	2-9								
ZW417148	5-7								
ZW417150	5-97								
ZW417194	16-35x								
ZW417216	5-86x								
ZW417251	1-35								
ZW417273	3-41								
ZW417273	5-11								
ZW417273	6-85								
ZW417273	7-28								
ZW417328	6-108								
ZW418858	1-3								
ZW419646	2-32								
ZW419837	6-63								
ZW420682	6-100								
ZW424495	3-36								
ZW425103	16-22x								
ZW425114	4-22								
ZW427048	6-17								
ZW427048	6-102								
ZW428308	16-33x								
ZW429120	5-70x								
ZW429120	7-6								
ZW432944	6-101								
ZW437051	16-37x								
ZW438928	5-50x								
ZW447772	2-18								
ZW447772	5-91								
ZW447772	6-66								
ZW447772	8-21								
ZW447772	8-29								
ZW447772	9-17								
ZW447772	9-47								
ZW447772	9-57								
ZW447772	13-10x								
ZW455207	5-46x								

For Service Manuals Contact
MAURITRON TECHNICAL SERVICES
 8 Cherry Tree Rd, Chinnor
 Oxon OX9 4QY
 Tel: 01844-351694 Fax: 01844-352554
 Email: enquiries@maurtron.co.uk

For Service Manuals Contact
MAURITRON TECHNICAL SERVICES
8 Cherry Tree Rd, Chinnor
Oxon OX9 4QY
Tel:- 01844-351694 Fax:- 01844-352554
Email:- enquiries@mauritron.co.uk

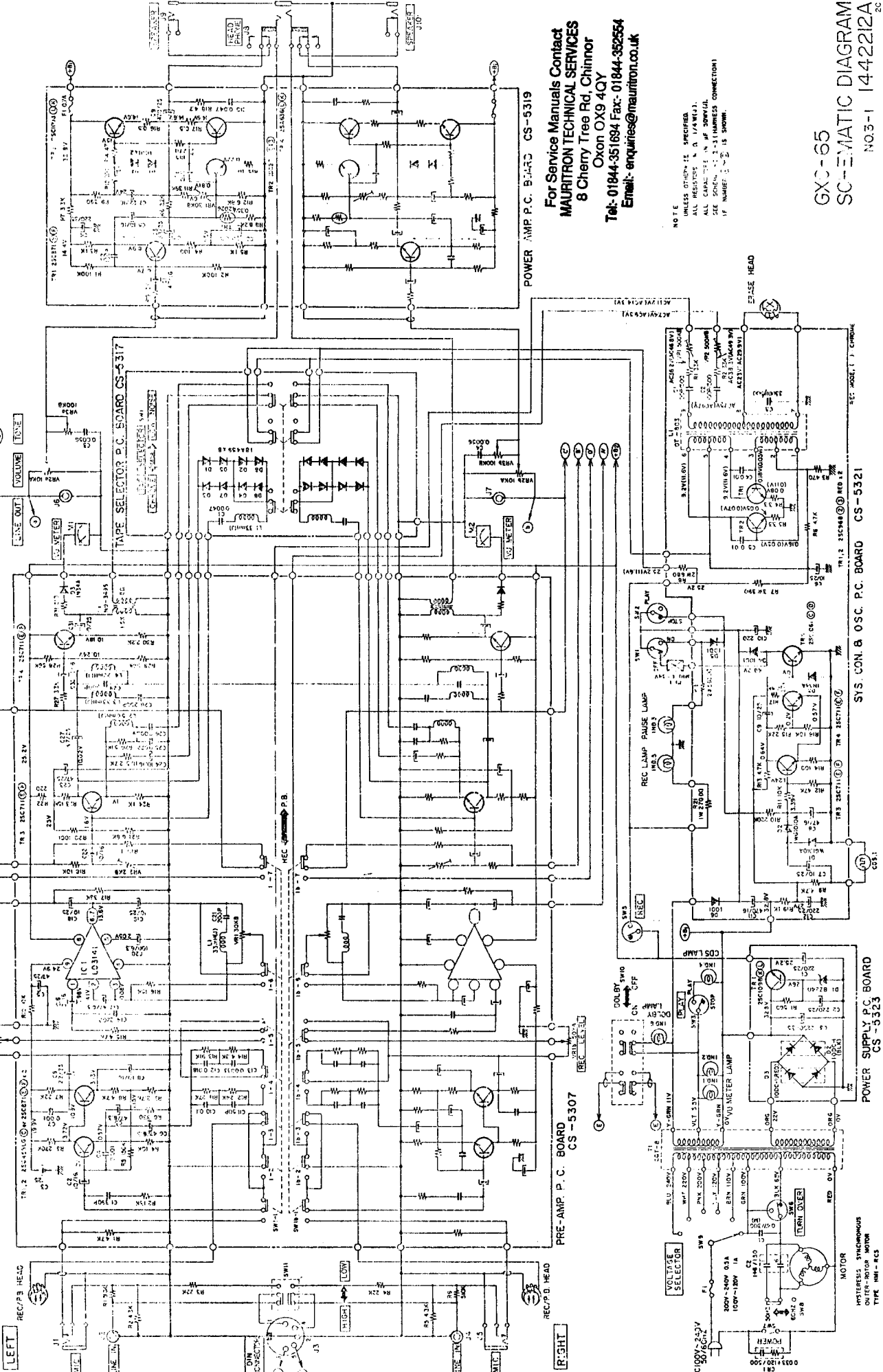
SECTION 3

SCHEMATIC DIAGRAM

1. GXC-65 SCHEMATIC DIAGRAM
2. GXC-65D SCHEMATIC DIAGRAM
3. GXC-60 SCHEMATIC DIAGRAM
4. GXC-60D SCHEMATIC DIAGRAM

THE QUALITY OF
THIS PAGE IS
THE BEST THAT
IS AVAILABLE

GXC-65 NO.3-1

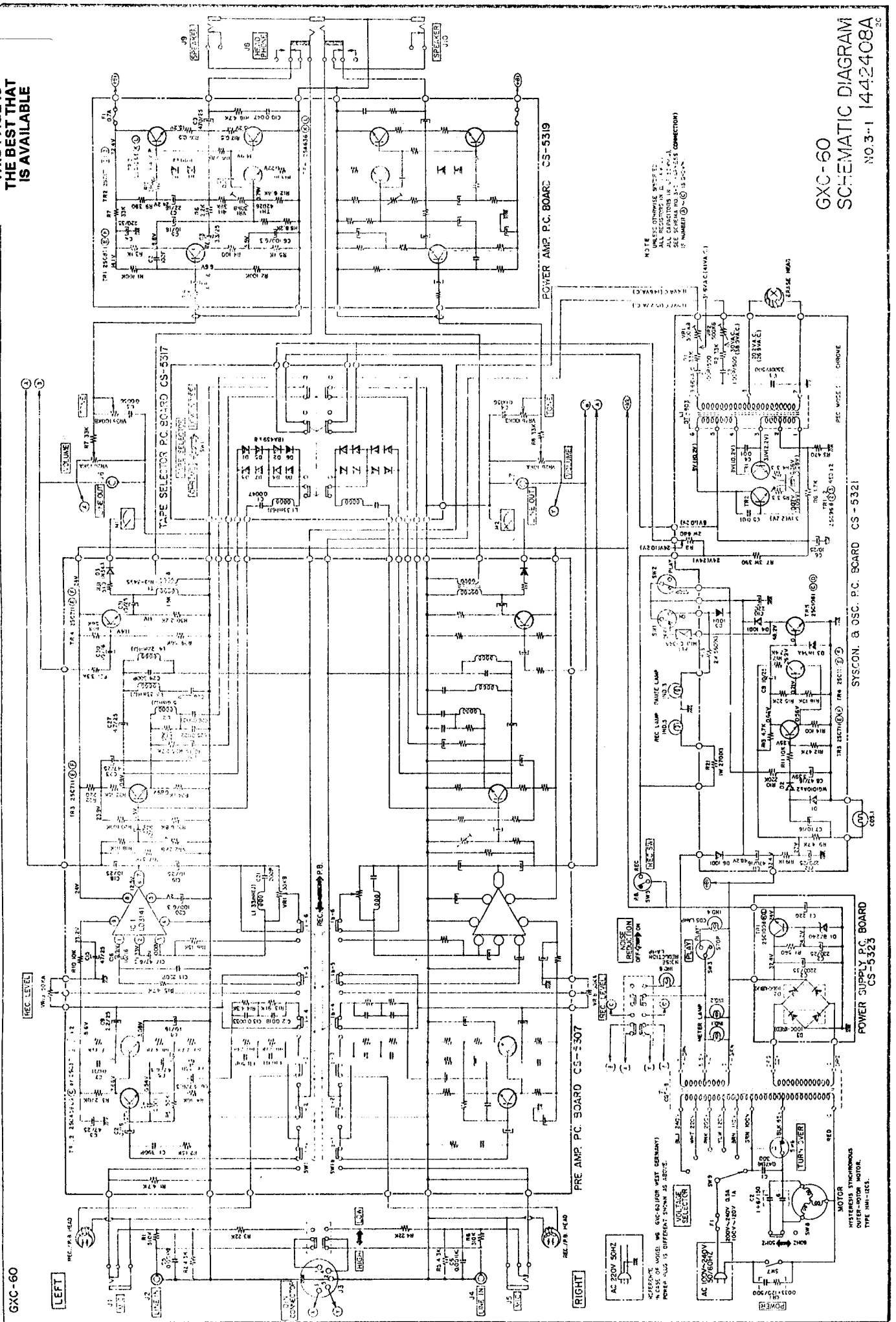


NOTE
UNLESS OTHERWISE SPECIFIED,
ALL RESISTORS ARE 1/4W (1/2W),
ALL CAPACITORS ARE 50V UNLESS
OTHERWISE SPECIFIED. ADDRESS CONNECTIONS
IF NUMBERED 1-25 IS SHOWN.

For Service Manuals Contact
MAURITRON TECHNICAL SERVICES
8 Cherry Tree Rd, Chinnor
Oxon OX9 4QY
Tel: 01844-351694 Fax: 01844-352554
Email: enquiries@mauritron.co.uk

GXC-65
SC-EMATIC DIAGRAM
NO.3-1 1442212A

THE QUALITY OF
THIS PAGE IS
THE BEST THAT
IS AVAILABLE



NOTE: RESISTOR VALUES IN OHMS, ALL CAPACITORS IN MICROFARADS, UNLESS OTHERWISE SPECIFIED.
RESISTOR VALUES IN OHMS, ALL CAPACITORS IN MICROFARADS, UNLESS OTHERWISE SPECIFIED.

GXC-60
SCHEMATIC DIAGRAM
NO. 3-1 1442408A

SYSCON. & OSC. P.C. BOARD CS-5321

POWER SUPPLY P.C. BOARD CS-5325

MOTORS
INTERLOCK SYNCHRONOUS
OVER-ROTOR MOTOR,
TYPE 1M1-151.

AC 220V 50WZ
AC 100V-240V 50/60HZ
METER LAMP
REC. LAMP
NOISE REDUCTION
OFF-ON

GXC-60

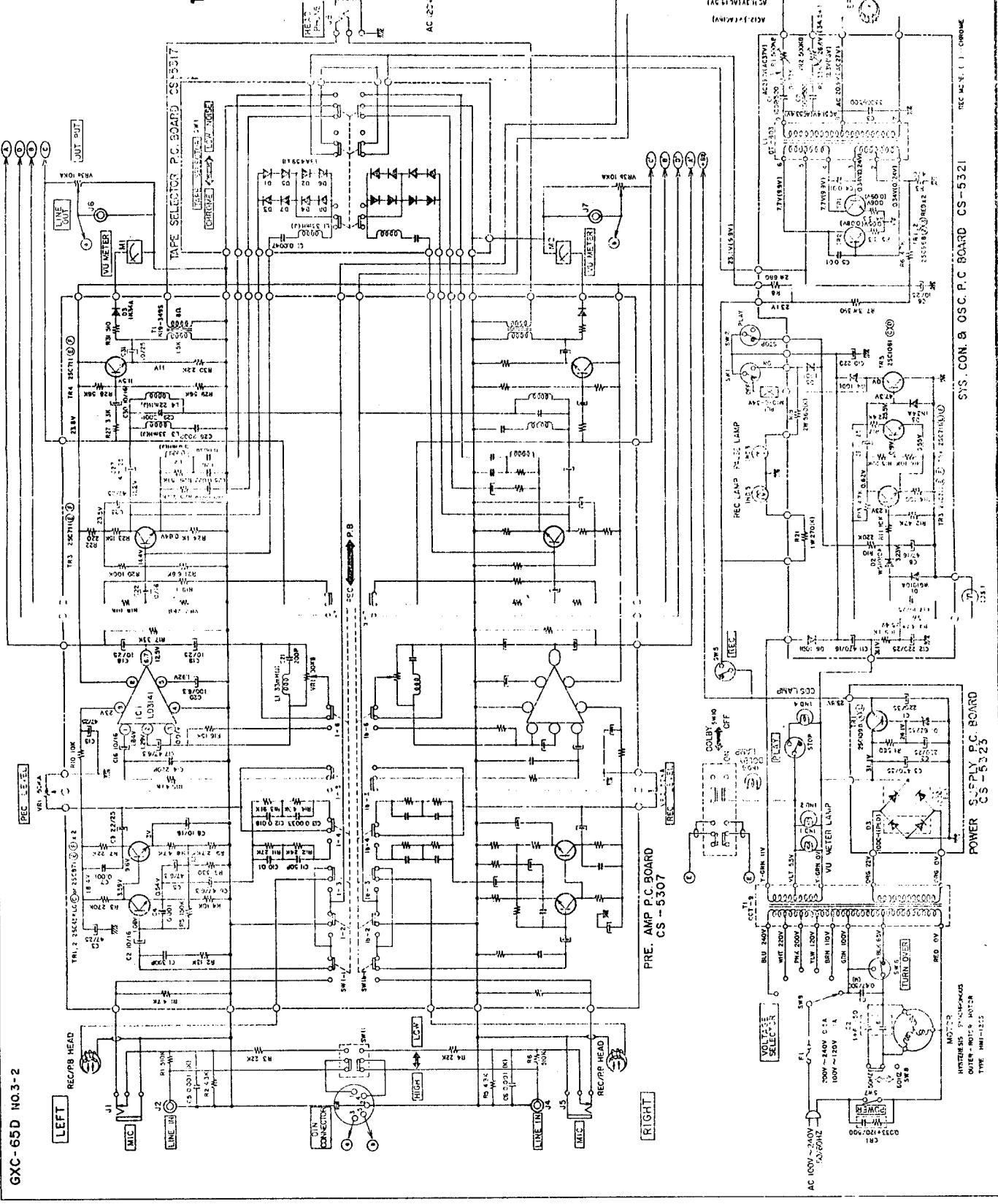
LEFT

RIGHT

THE QUALITY OF
THIS PAGE IS
THE BEST THAT
IS AVAILABLE

For Service Manuals Contact
MAURITRON TECHNICAL SERVICES
8 Cherry Tree Rd, Chinnor
Oxon OX9 4QY
Tel: 01844-351694 Fax: 01944-352554
Email: enquiries@mauritron.co.uk

GXC-65D
SCHEMATIC DIAGRAM
NO. 3-2 1442213A



NOTE
UNLESS OTHERWISE SPECIFIED
ALL COMPONENTS ARE TO BE OBTAINED FROM MAURITRON
SEE SCHEMATIC FOR PART CONNECTIONS
IF NUMBER IS IN PARENTHESES
POWER TRANSFORMER IS PRESENT
RECORDING AREA

AAL GXC-65D

GXC-65D NO.3-2

SYS. CON. & OSC. P.C. BOARD CS-5321

POWER SUPPLY P.C. BOARD CS-5325

INTERMED. P.C. BOARD CS-5322

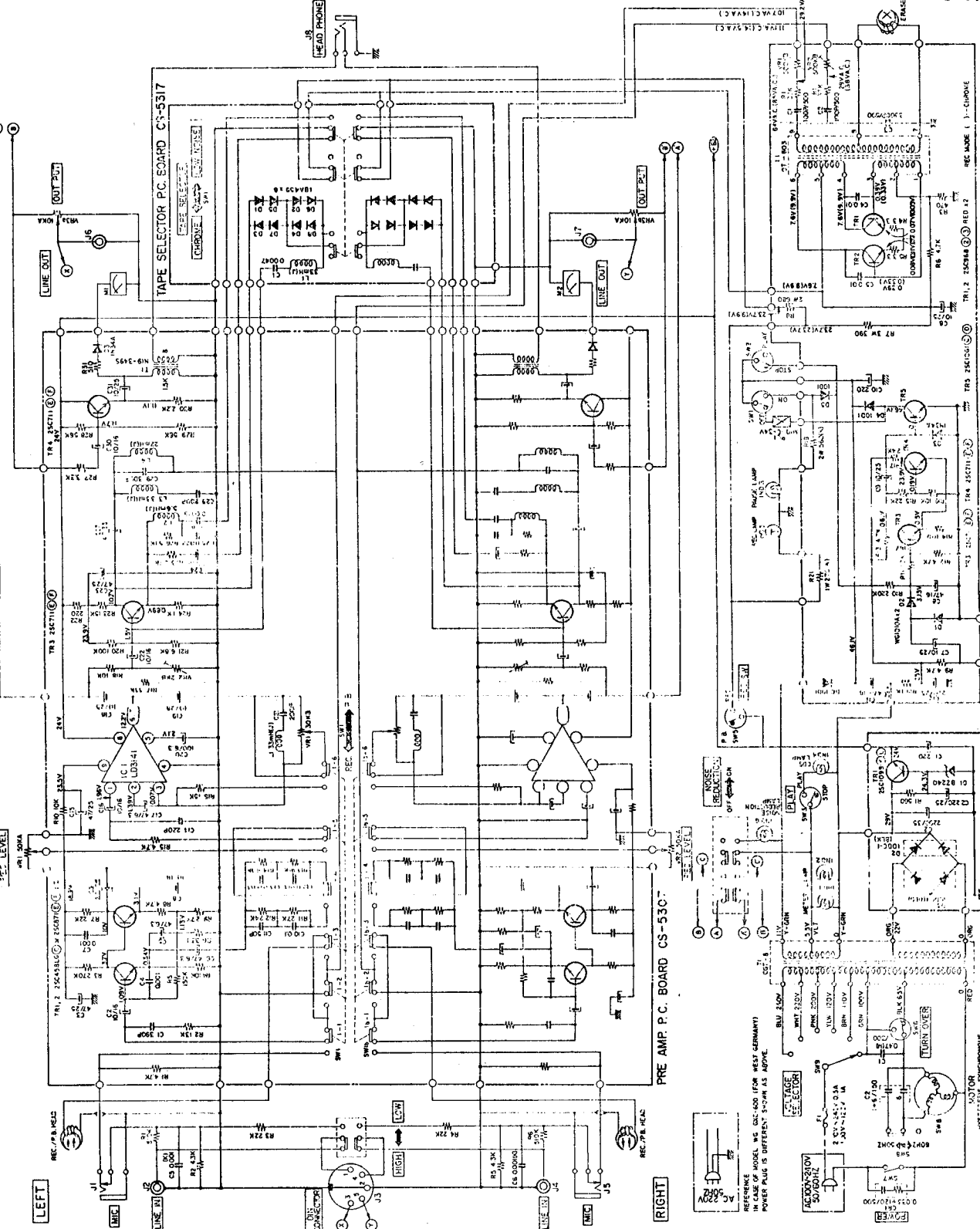
PRE-AMP P.C. BOARD CS-5307

REC/PB HEAD CS-5317

REC. HEAD CS-5317

THE QUALITY OF
THIS PAGE IS
THE BEST THAT
IS AVAILABLE

GXC-600



NOTE: ALL COMPONENTS SPECIFIED
ARE IN PARALLEL UNLESS OTHERWISE SPECIFIED.
ALL CAPACITORS IN μF UNLESS OTHERWISE SPECIFIED.
SEE SCHEMATIC NO. 1 FOR CONNECTIONS.
IF NUMBER 1 IS 1-CHROME

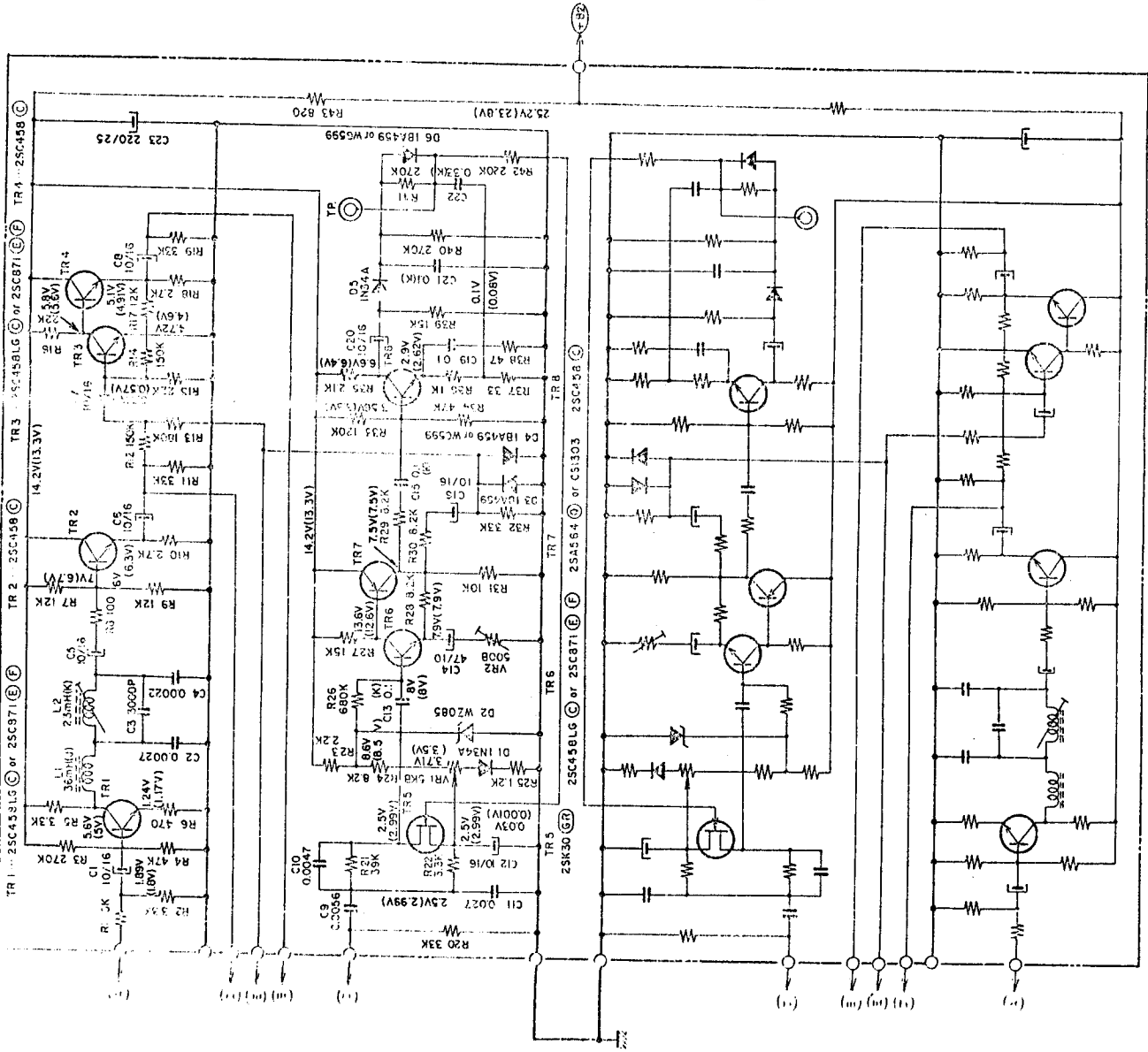
GXC-600
SCHEMATIC DIAGRAM
NO. 3-2 1442409A
PC

SYS. CON. B OSC. PC. BOARD CS-5321

POWER SUPPLY PC. BOARD
CS-5325

AC MOTOR (FOR WEST GERMANY)
IN CASE OF MOTOR IN OTHER COUNTRY
POWER PLUG IS DIFFERENT SUCH AS ABOVE

TURN OVER
MOTOR MOTOR MOTOR
TYPE M1-125C



NOTE
UNLESS OTHERWISE SPECIFIED
ALL RESISTORS IN Ω , 1/4W/0.5
ALL CAPACITORS IN μ F 50WV

For Service Manuals Contact
MAURITRON TECHNICAL SERVICES
8 Cherry Tree Rd., Chinnor
Oxon OX9 4QY
Tel: 01844-351694 Fax: 01844-352554
Email: enquiries@mauritron.co.uk

GXC-65/D
DOLBY SYSTEM
SCHEMATIC DIAGRAM
NO.3-3 1442214A

For Service Manuals Contact
MAURITRON TECHNICAL SERVICES
 8 Cherry Tree Rd, Chinnor
 Oxon OX9 4QY
 Tel: 01844-351694 Fax: 01844-352554
 Email: enquiries@mauritron.co.uk

NOTE
 UNLESS OTHERWISE SPECIFIED,
 ALL RESISTORS IN Ω, 1/4W(1/2),
 ALL CAPACITORS IN μF 50V(50),
 * MARK INDICATES LOW LEAKAGE CAPACITOR.

