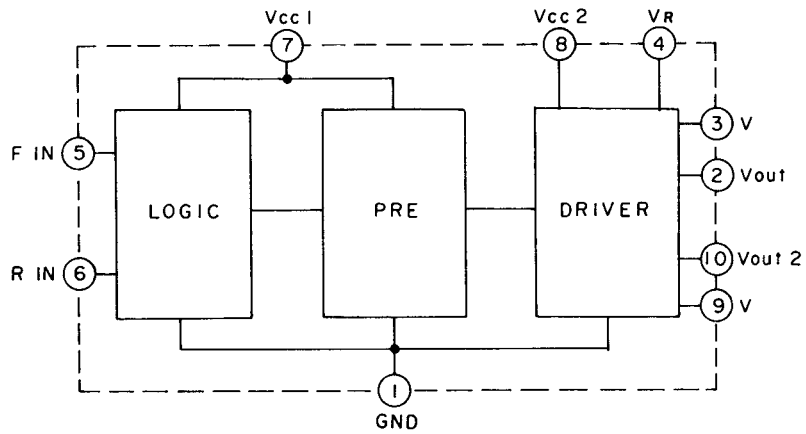

SECTION 6

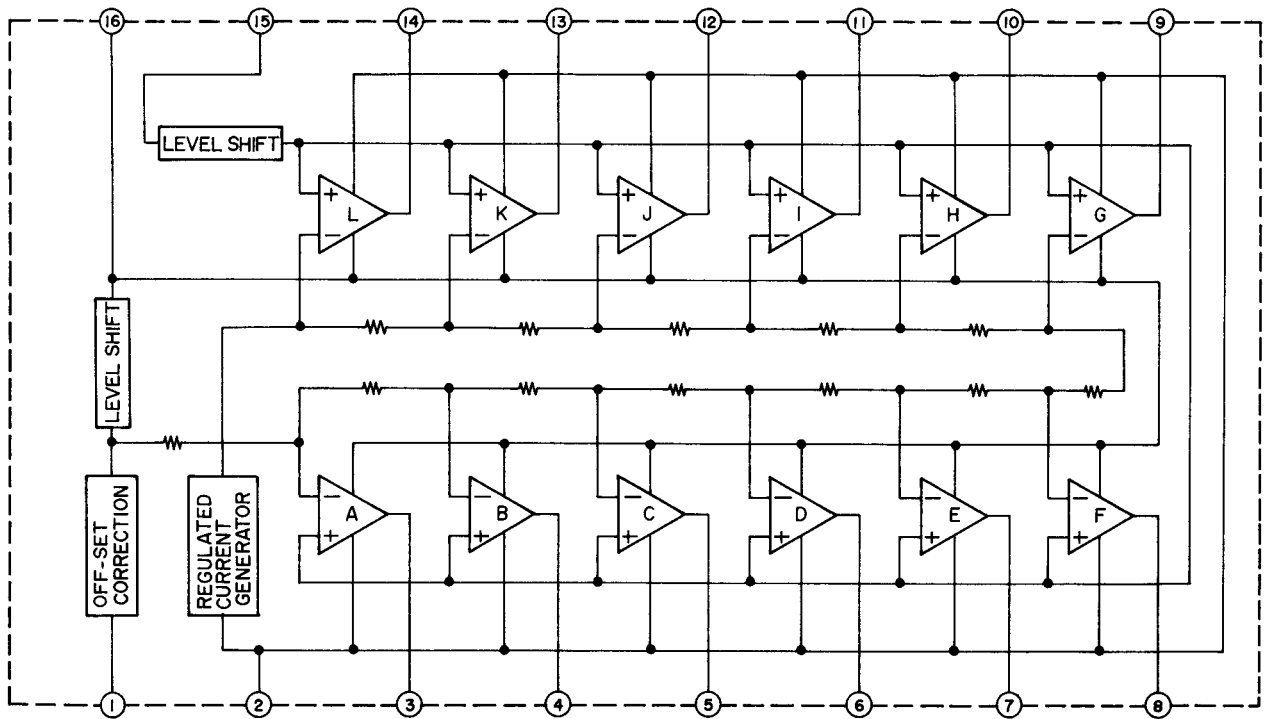
SCHEMATIC DIAGRAM

1. SCHEMATIC DIAGRAM OF ICs
2. GX-F31 POWER & SYSCON NO. 2-1 1640824A SCHEMATIC DIAGRAM
3. GX-F31 AMP NO. 2-2 1640825A SCHEMATIC DIAGRAM
4. GX-F51 POWER & SYSCON NO. 3-1 1640826A SCHEMATIC DIAGRAM
5. GX-F51 AMP NO. 3-2 1640827A SCHEMATIC DIAGRAM
6. GX-F51 TUNING NO. 3-3 1640828A SCHEMATIC DIAGRAM
7. GX-F71 POWER & SYSCON NO. 3-1 1640830A SCHEMATIC DIAGRAM
8. GX-F71 AMP NO. 3-2 1640831A SCHEMATIC DIAGRAM
9. GX-F71 TUNING NO. 3-3 1640832A SCHEMATIC DIAGRAM

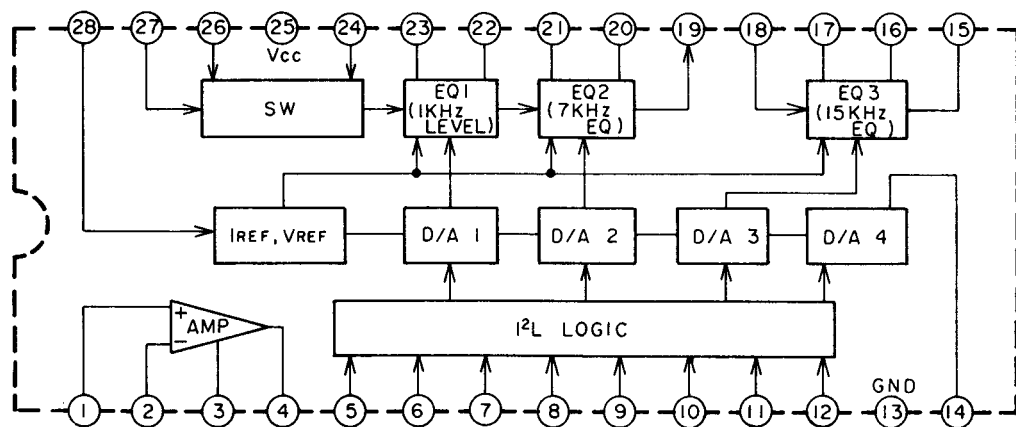
BA6109



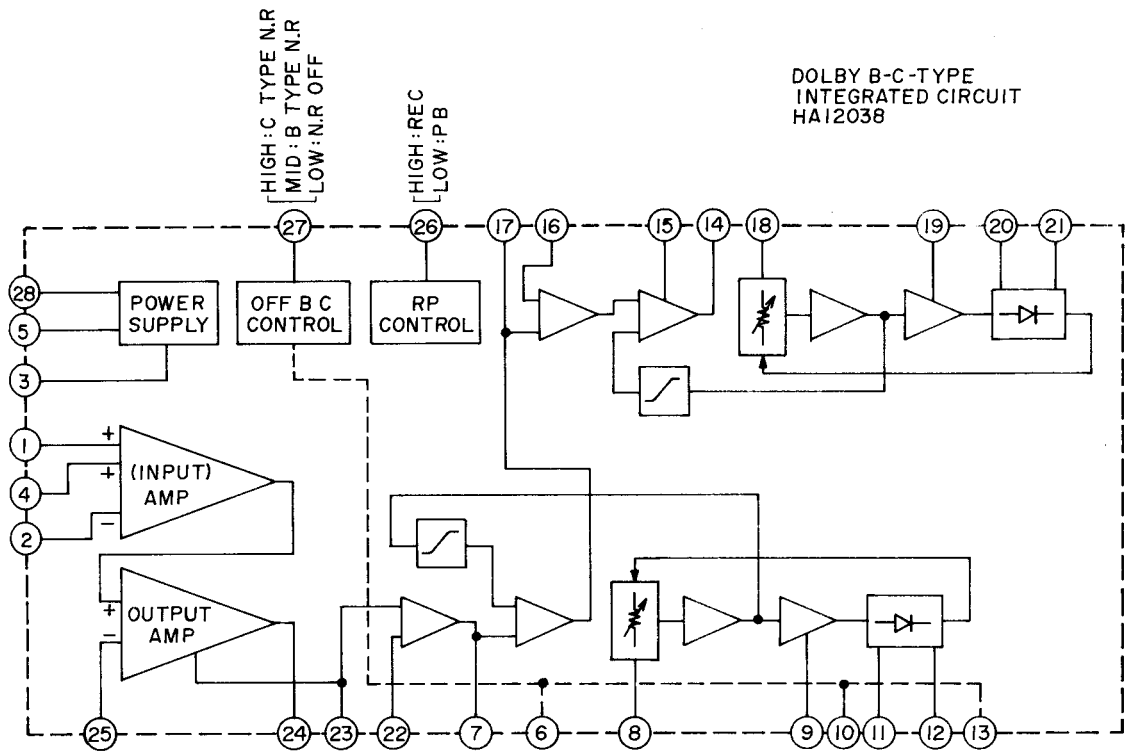
HA12019



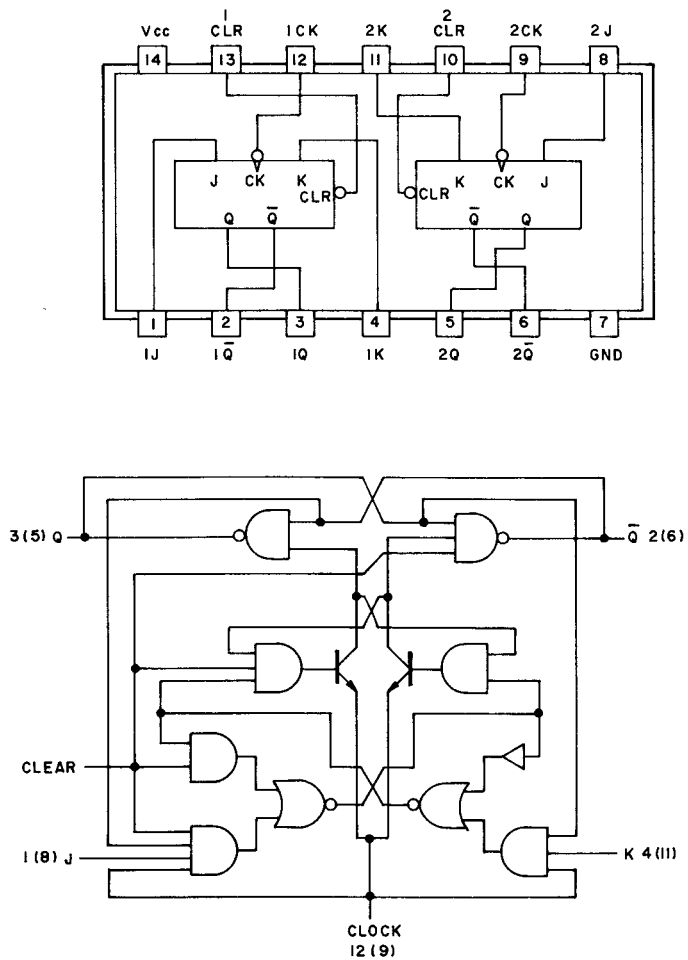
HA12020



HA12038

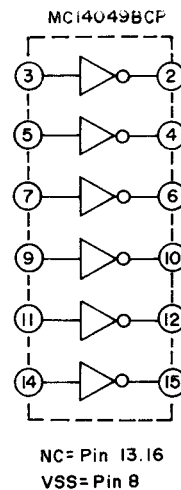
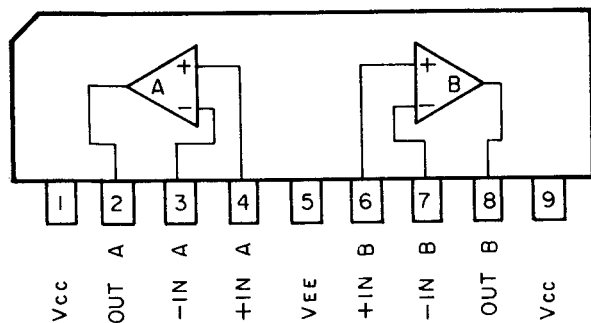


HD74107P

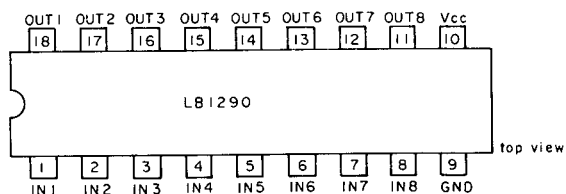
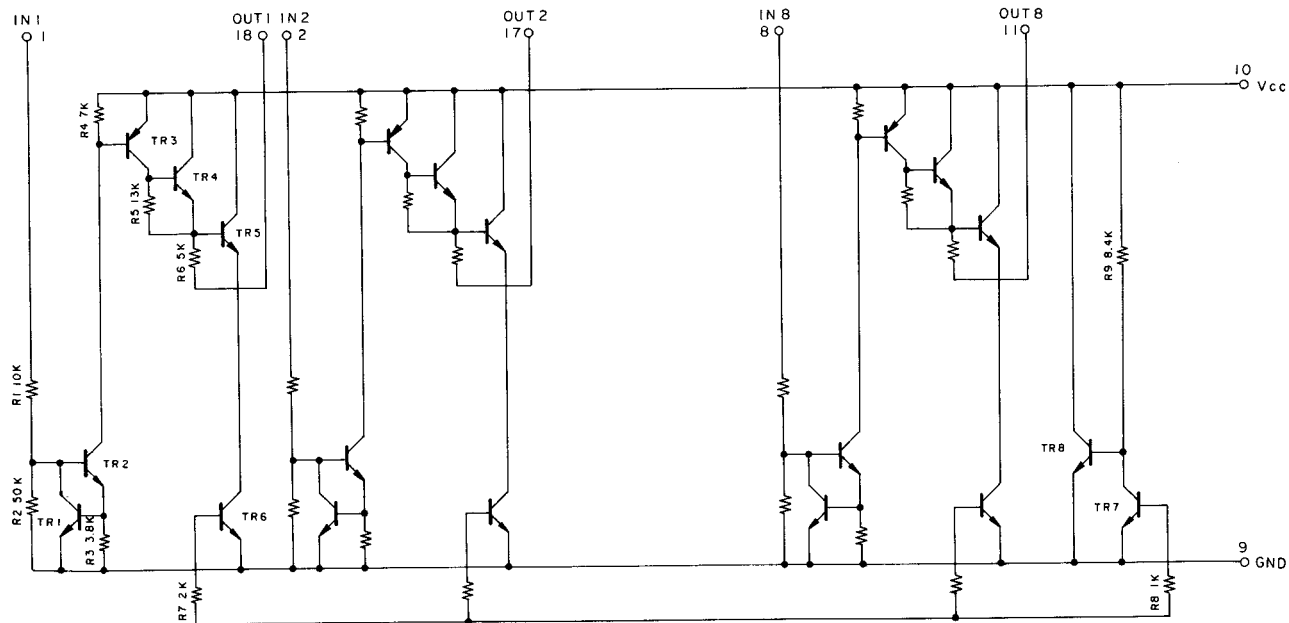


LA6458S, TA75558S

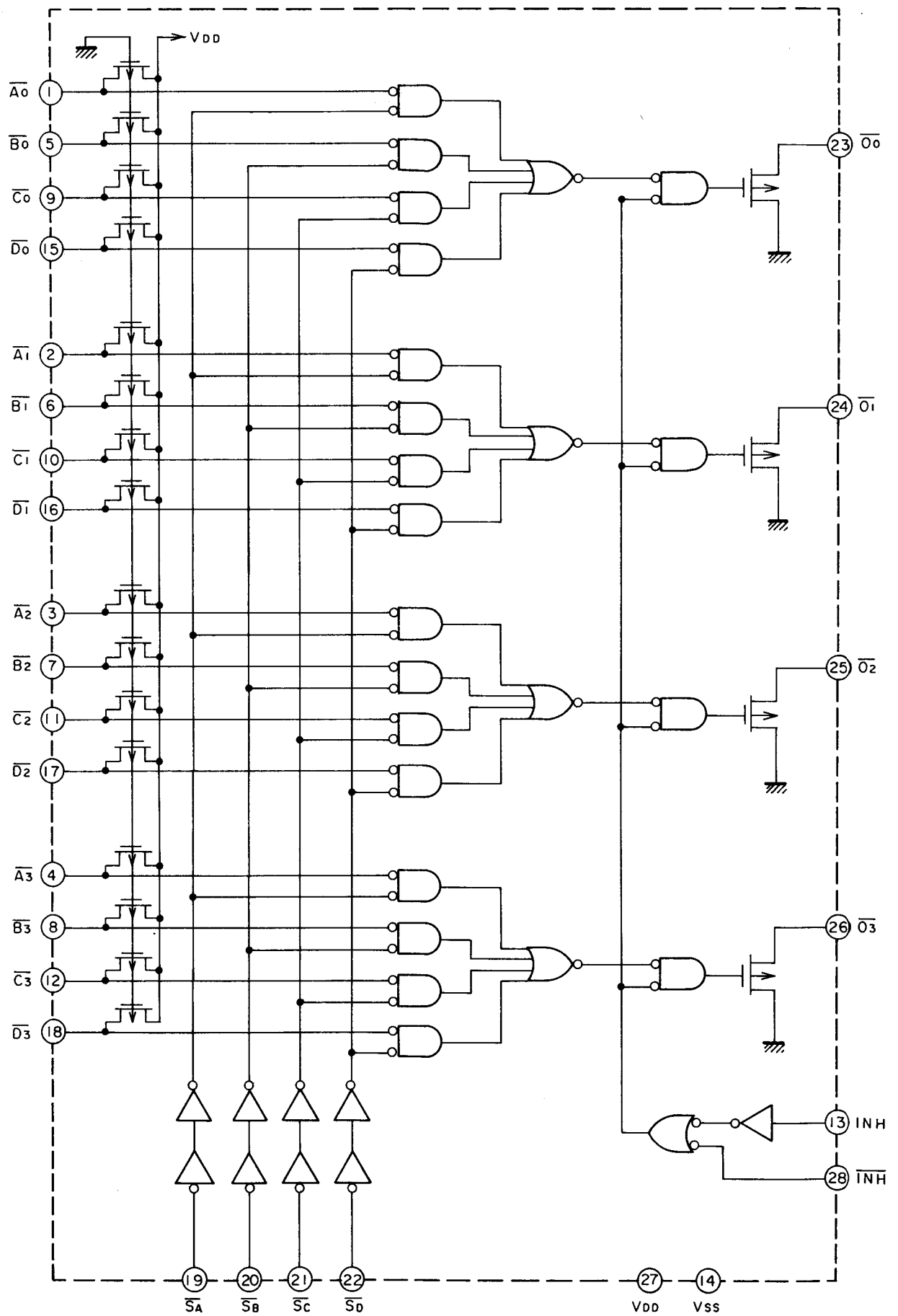
LC4049



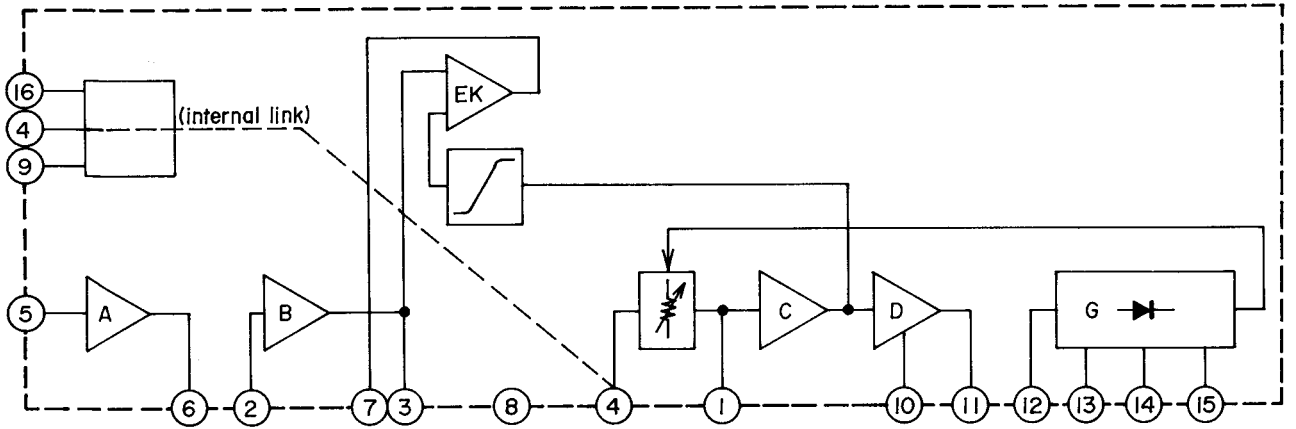
LB1290



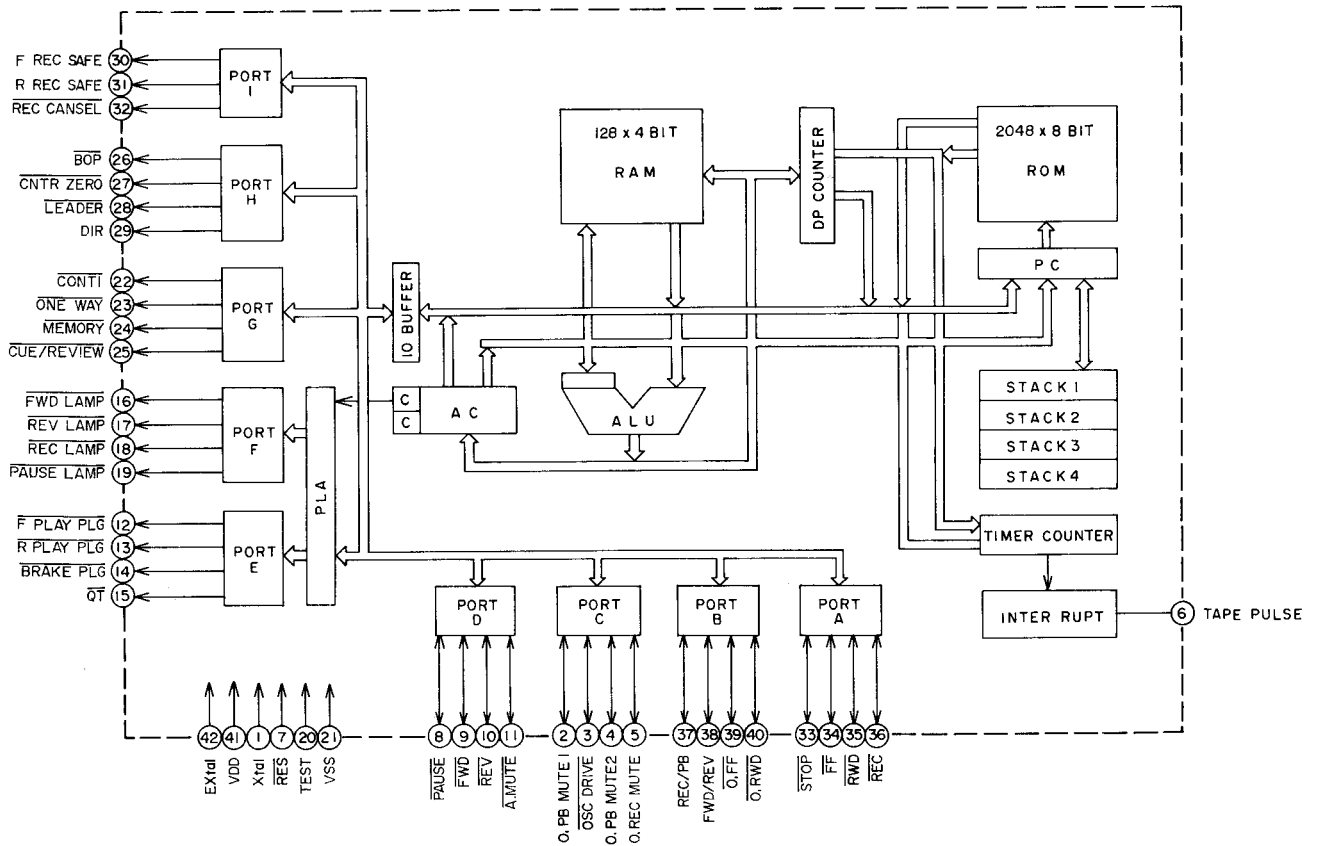
LC7800



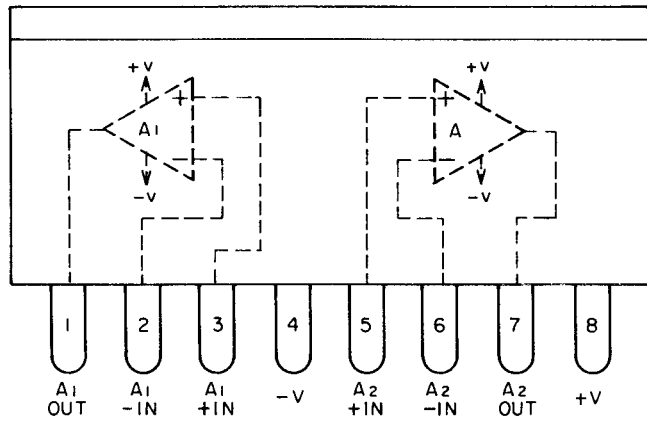
LM1111B



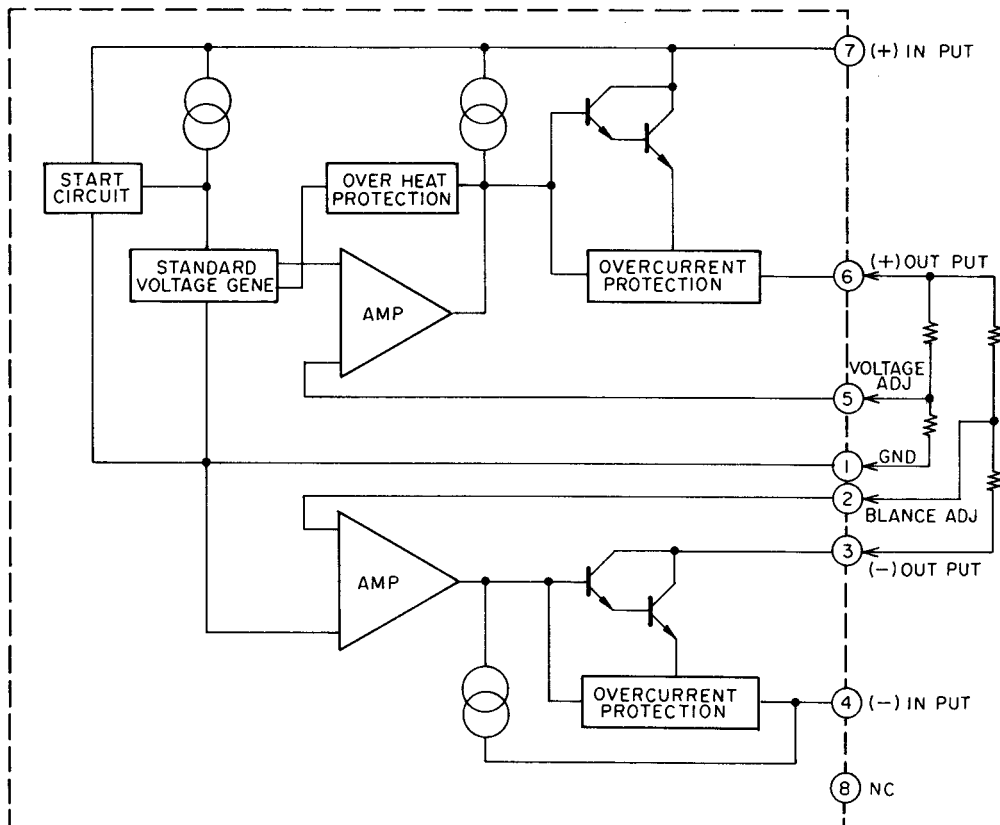
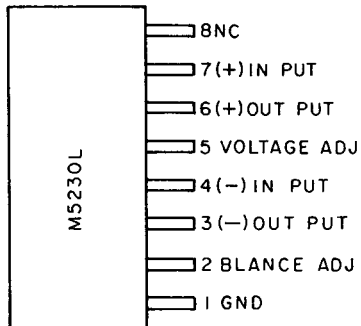
LM6402



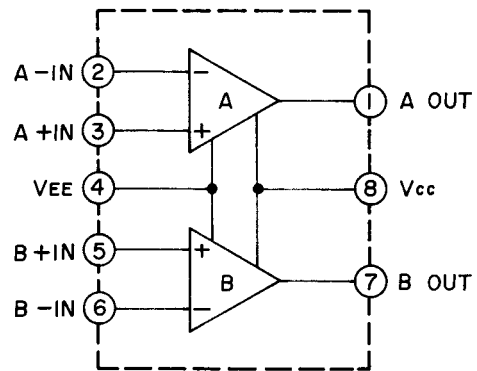
M5218LS

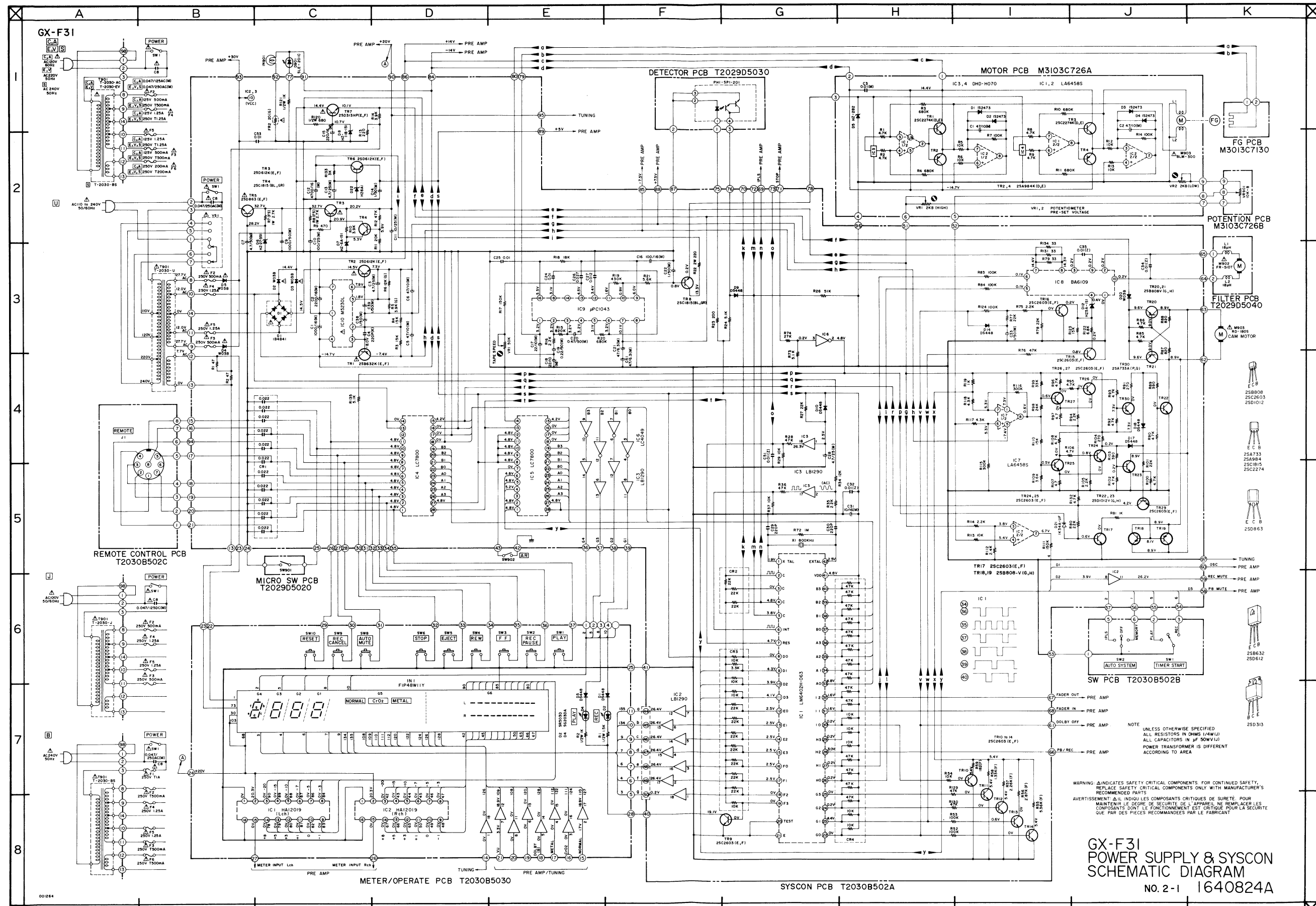


M5230L



NJM4558D, NJM4556D, NJM4562D



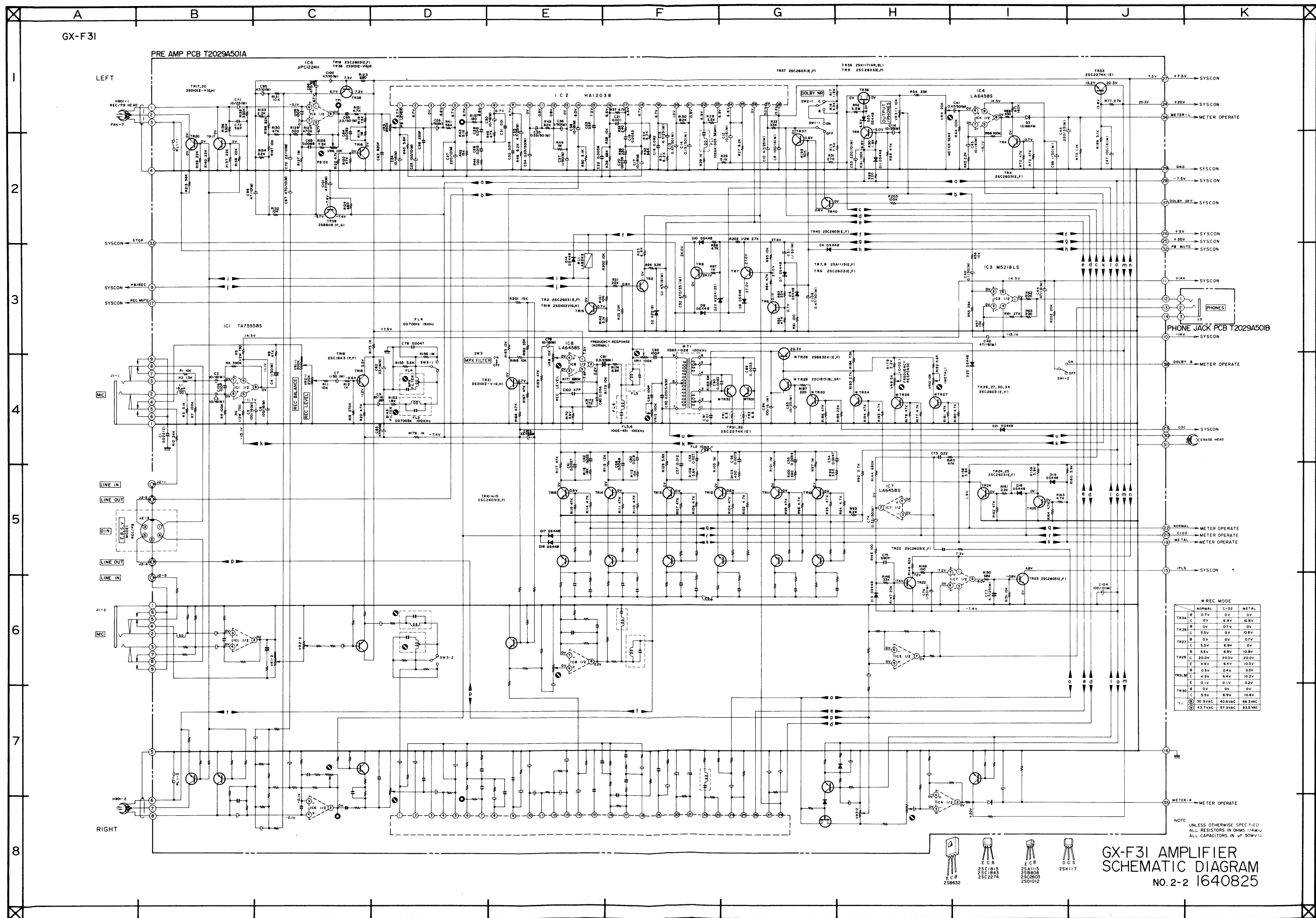


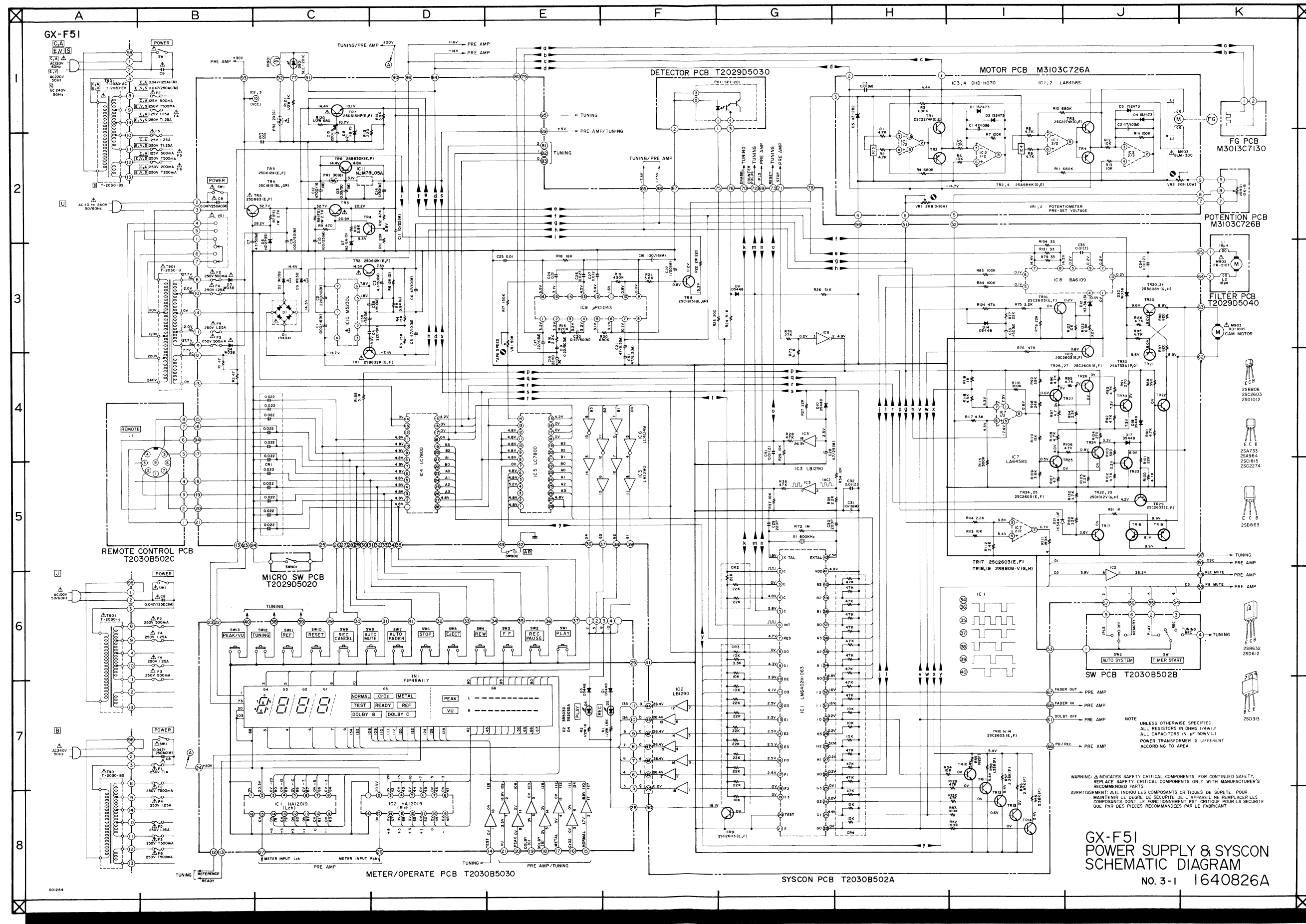
NOTE: UNLESS OTHERWISE SPECIFIED, ALL RESISTORS IN OHMS (1/4W), ALL CAPACITORS IN μF (50V). POWER TRANSFORMER IS DIFFERENT ACCORDING TO AREA.

WARNING: Δ INDICATES SAFETY CRITICAL COMPONENTS. FOR CONTINUED SAFETY, REPLACE SAFETY CRITICAL COMPONENTS ONLY WITH MANUFACTURER'S RECOMMENDED PARTS.

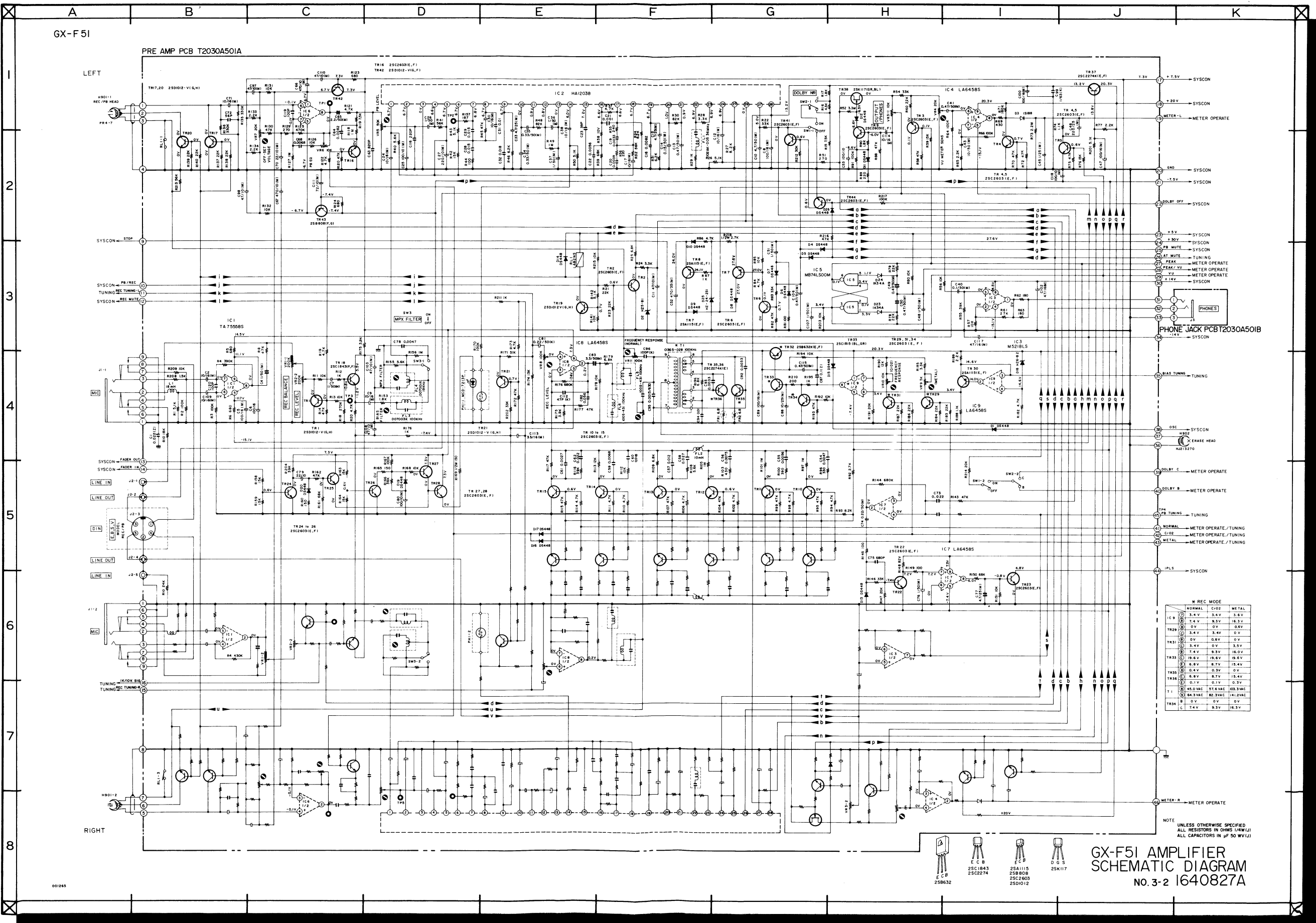
AVERTISSEMENT: Δ IL INDIQUE LES COMPOSANTS CRITIQUES DE SÛRETÉ. POUR MAINTENIR LE DEGRÉ DE SÛRETÉ DE L'APPAREIL, NE REMPLACER LES COMPOSANTS DONT LE FONCTIONNEMENT EST CRITIQUE QUE PAR DES PIÈCES RECOMMANDÉES PAR LE FABRICANT.

**GX-F31
POWER SUPPLY & SYSCON
SCHEMATIC DIAGRAM
NO. 2-1 1640824A**





GX-F51
POWER SUPPLY & SYSCON
SCHEMATIC DIAGRAM
NO. 3-1 1640826A



GX-F51

PRE AMP PCB T2030A501A

LEFT

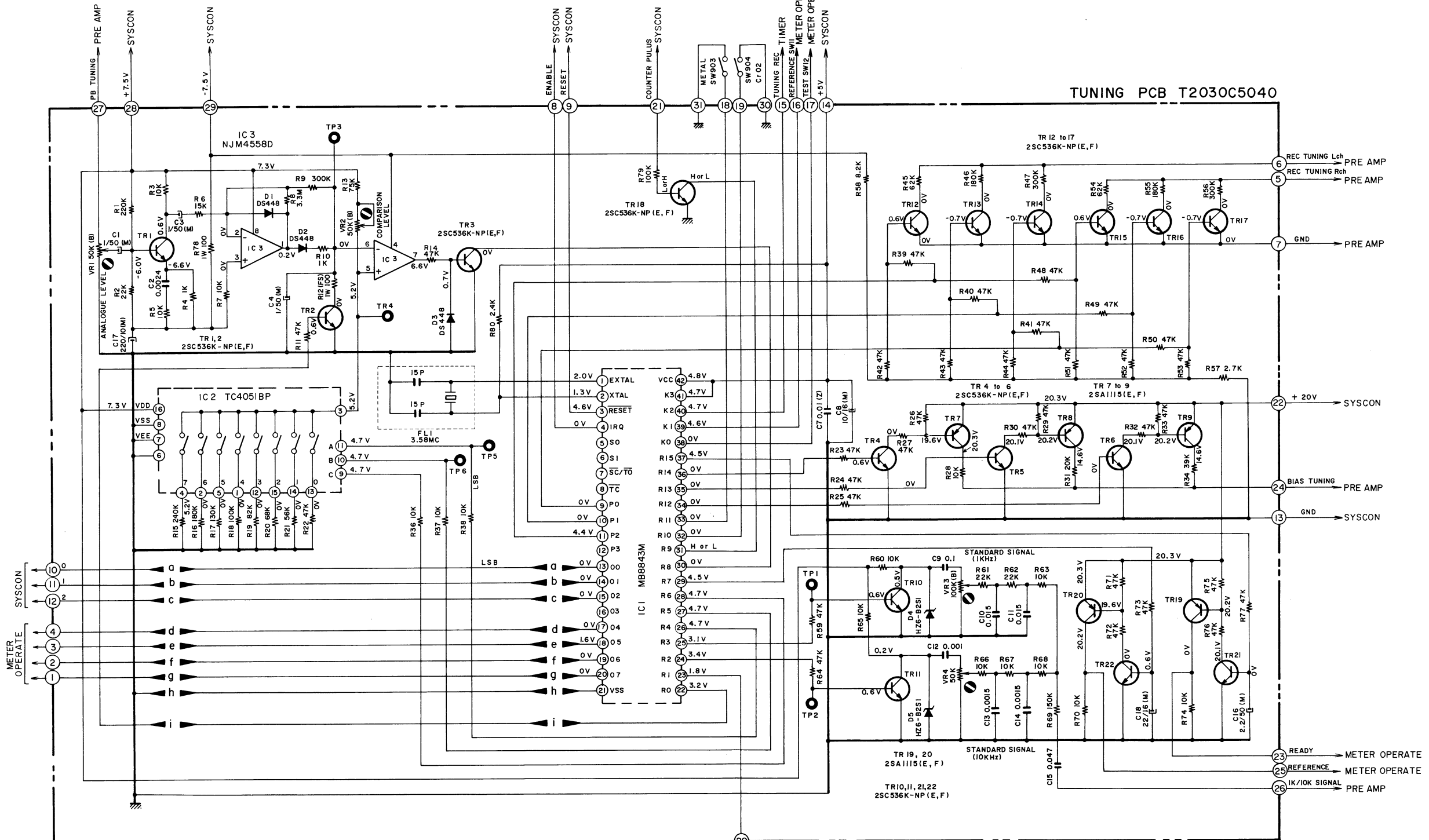
RIGHT

M REC MODE			
IC 1	IC 2	IC 3	IC 4
TR1	TR2	TR3	TR4
TR5	TR6	TR7	TR8
TR9	TR10	TR11	TR12
TR13	TR14	TR15	TR16
TR17	TR18	TR19	TR20
TR21	TR22	TR23	TR24

NOTE: UNLESS OTHERWISE SPECIFIED ALL RESISTORS IN OHMS (1/4W/1%) ALL CAPACITORS IN μ F (50 WV/1%)

GX-F51 AMPLIFIER SCHEMATIC DIAGRAM NO. 3-2 1640827A

GX-F51

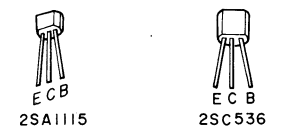


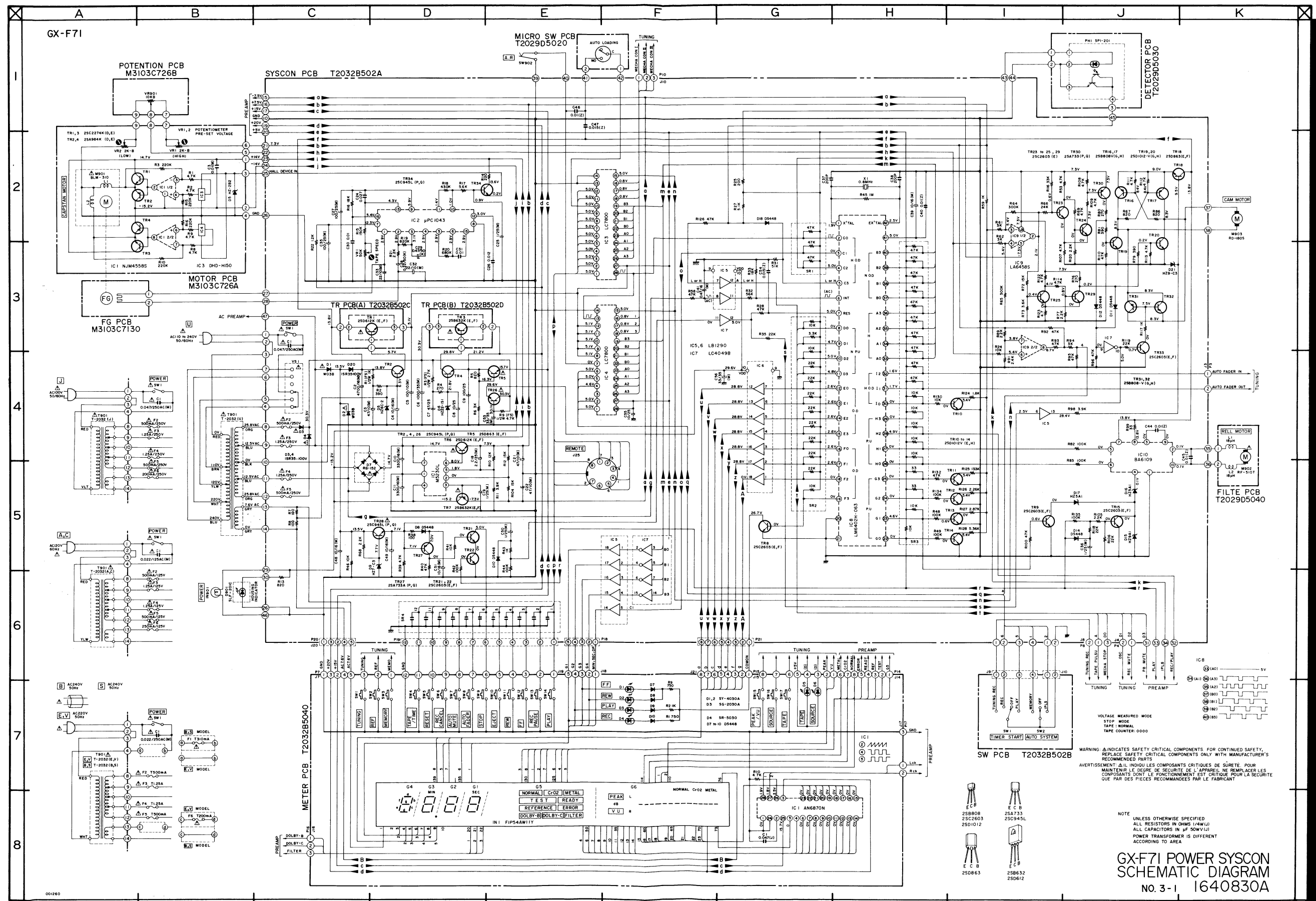
TUNING PCB T2030C5040

NOTE
UNLESS OTHERWISE SPECIFIED
ALL RESISTORS IN OHMS 1/4W(J)
ALL CAPACITORS IN μ F 50WV(J)

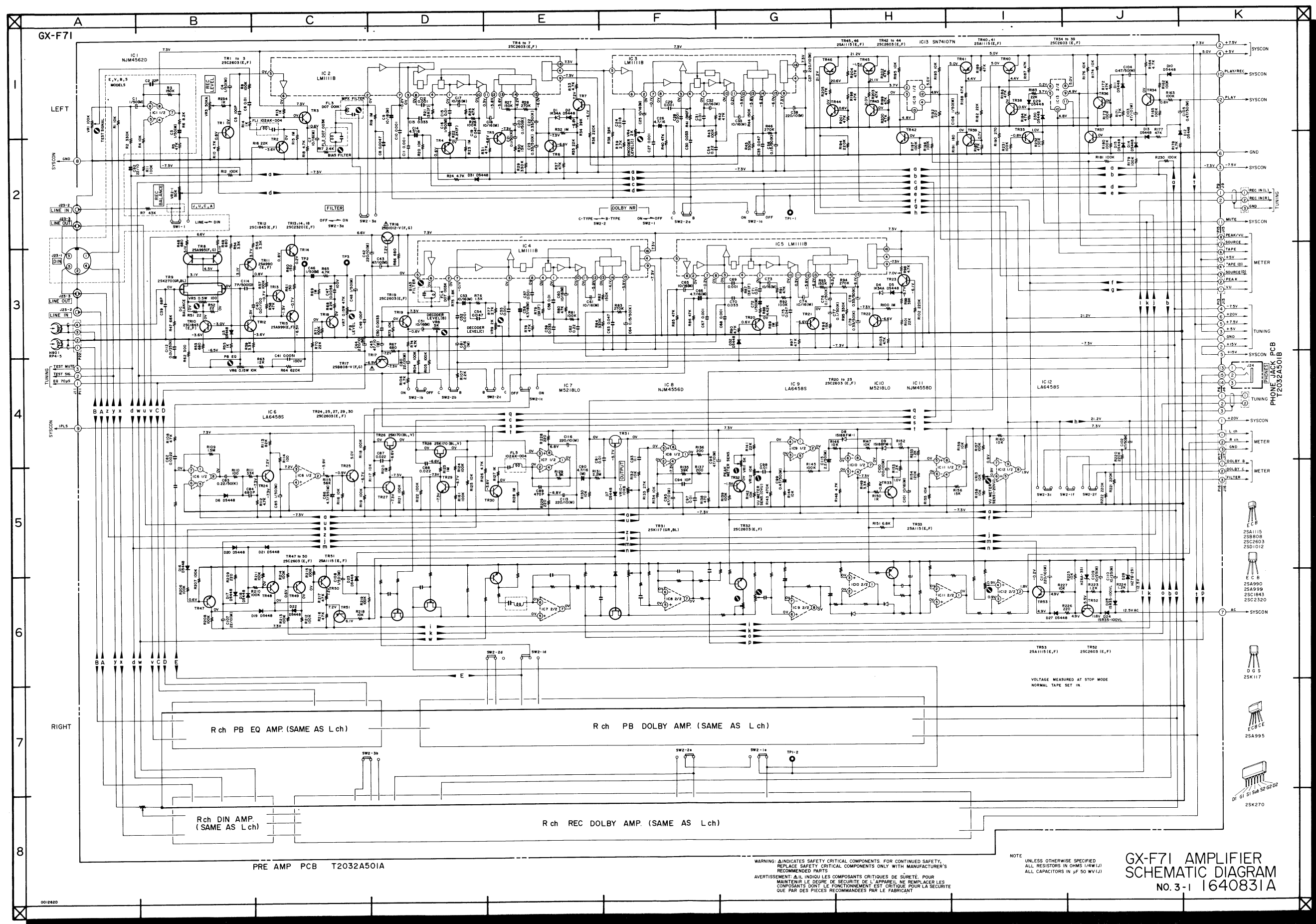
GX-F51 TUNING
SCHEMATIC DIAGRAM
NO. 3-3 1640828A

001266





GX-F71 POWER SYSCON SCHEMATIC DIAGRAM No. 3-1 1640830A



WARNING: Δ INDICATES SAFETY CRITICAL COMPONENTS. FOR CONTINUED SAFETY, REPLACE SAFETY CRITICAL COMPONENTS ONLY WITH MANUFACTURER'S RECOMMENDED PARTS.
 AVERTISSEMENT: Δ IL INDIQUE LES COMPOSANTS CRITIQUES DE SÛRETÉ. POUR MAINTENIR LE DEGRÉ DE SÛRETÉ DE L'APPAREIL, NE REMPLACER LES COMPOSANTS DONT LE FONCTIONNEMENT EST CRITIQUE POUR LA SÛRETÉ QUE PAR DES PIÈCES RECOMMANDÉES PAR LE FABRICANT.

NOTE: UNLESS OTHERWISE SPECIFIED, ALL RESISTORS IN OHMS (1/4W/1%) ALL CAPACITORS IN μF (50 WV/10)

GX-F71 AMPLIFIER SCHEMATIC DIAGRAM
 NO. 3-1 1640831A

