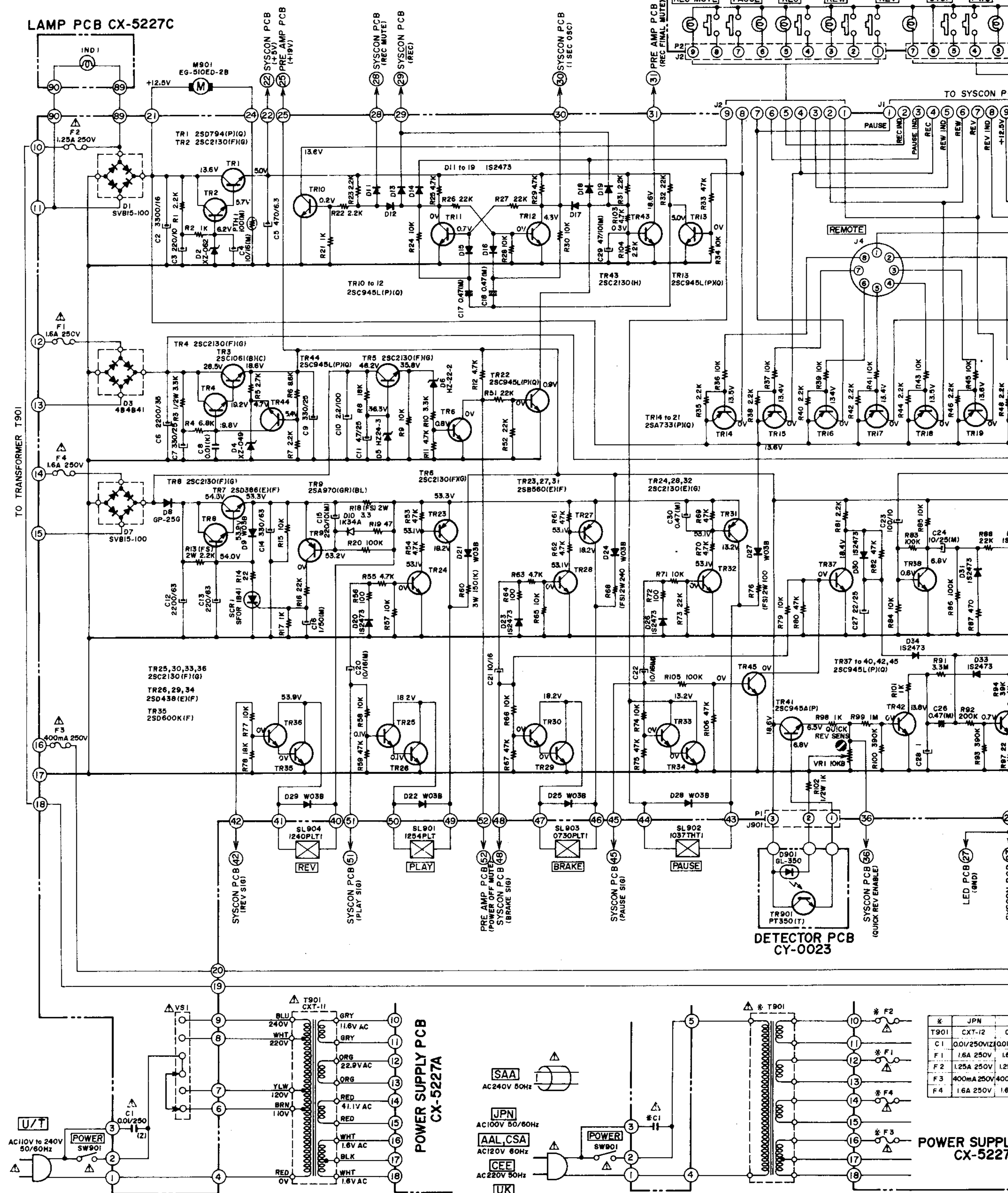


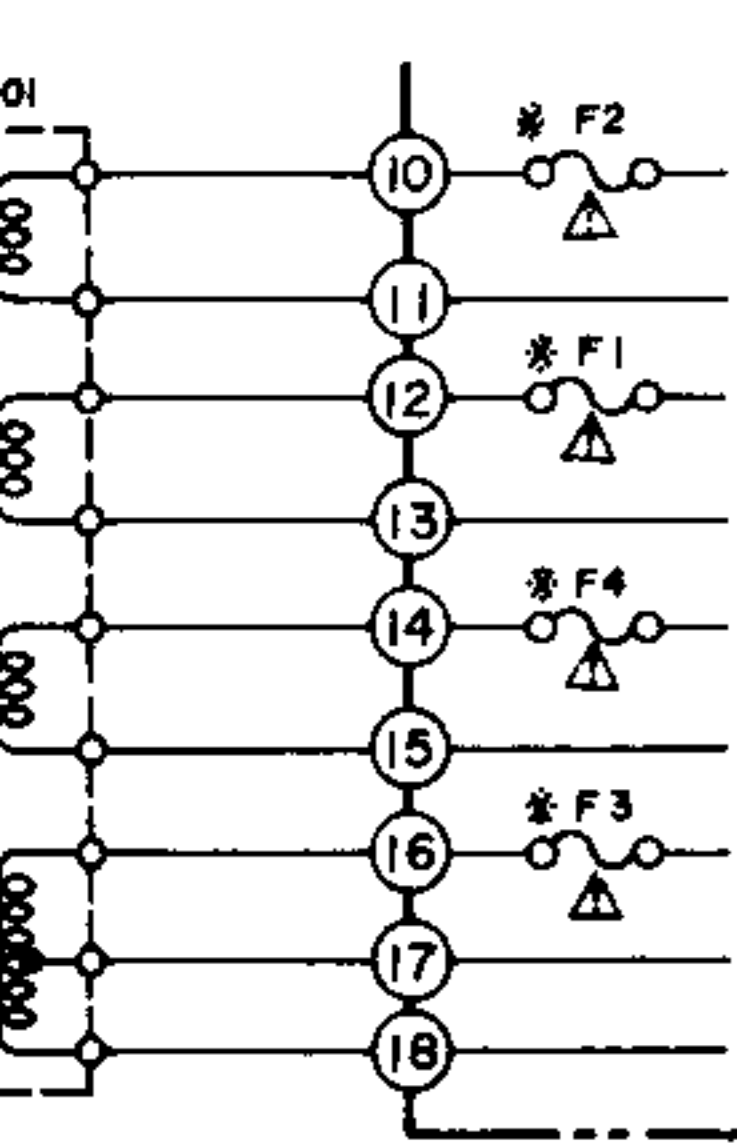
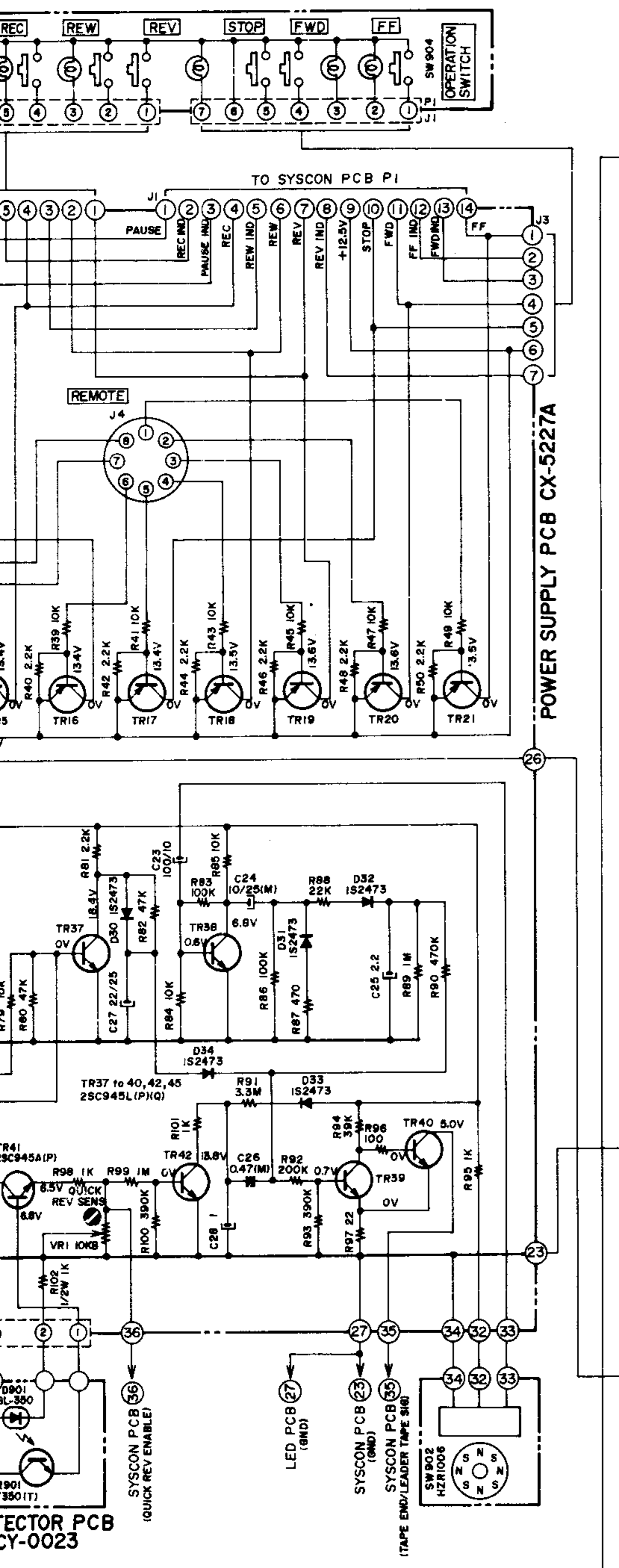
GX-F60R

LAMP PCB CX-5227C



Part No.	Quantity	Part No.	Quantity
* T901	CXT-12	C1	001/250VIZ/001
C1	001/250VIZ/001	F1	1.6A 250V 1.6
F1	1.6A 250V 1.6	F2	1.25A 250V 1.25
F2	1.25A 250V 1.25	F3	400mA 250V/400
F3	400mA 250V/400	F4	1.6A 250V 1.6
F4	1.6A 250V 1.6		

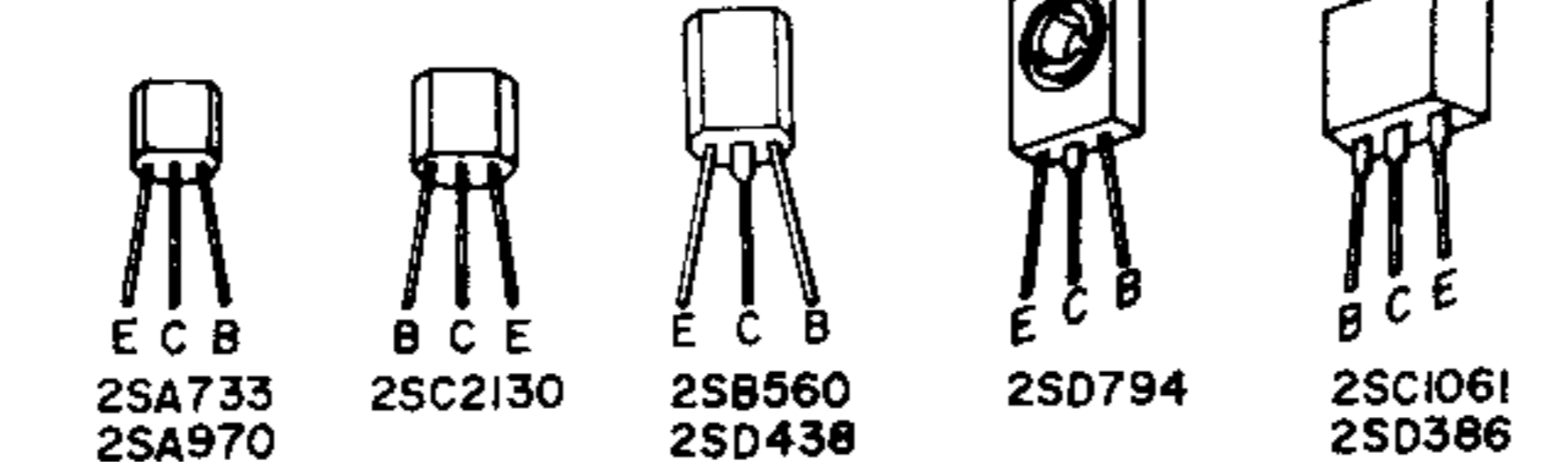
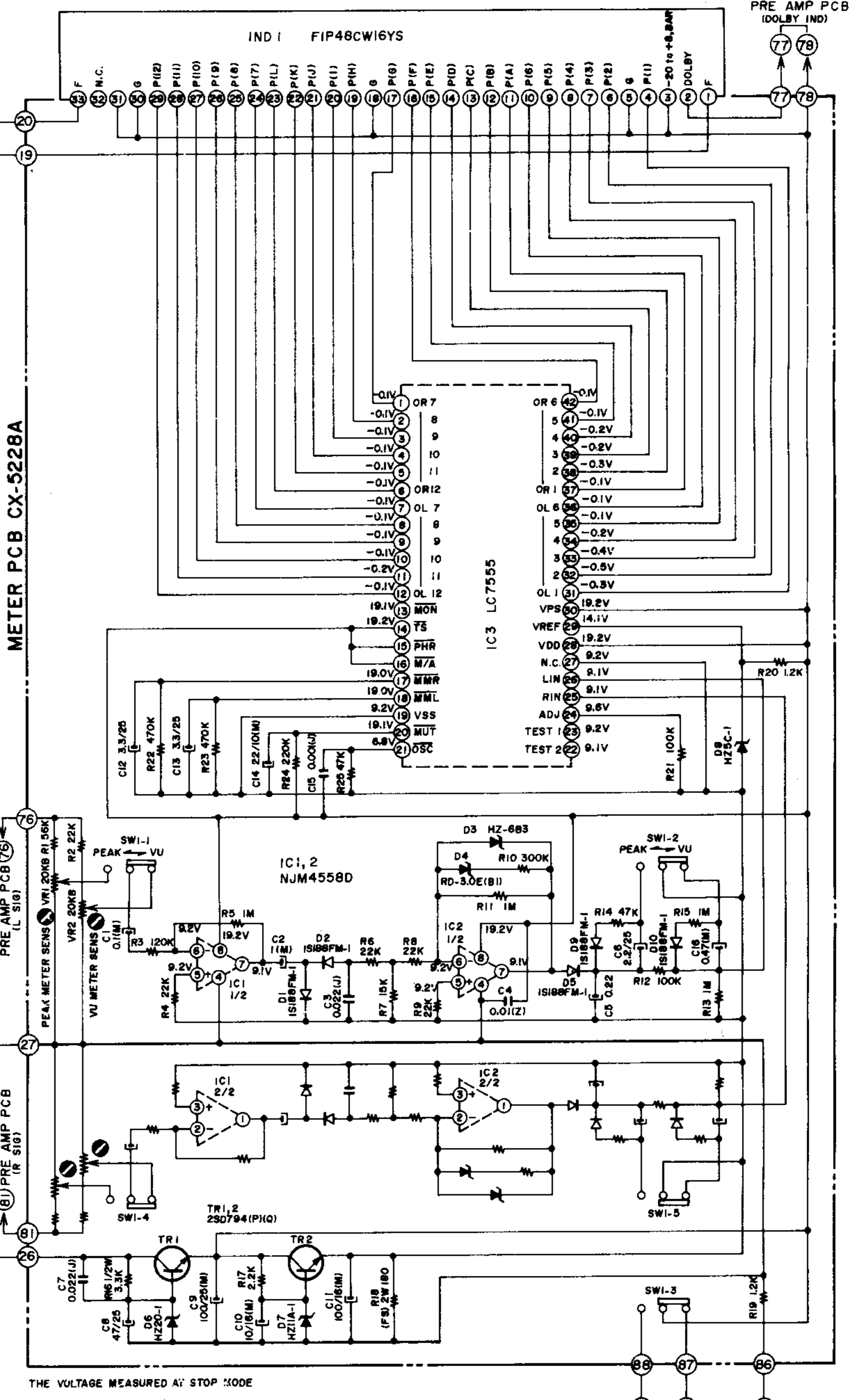
POWER SUPPLY  
CX-5227A



Q	JPN	CSA	AAL	CEE	UK, SAA
T901	CXT-12	CXT-14	CXT-14	CXT-13	CTX-16
C1	0.01/250V(2)	0.01/125V(P)	0.01/250V(2)	0.0047/250V(M)	0.0047/250V(M)
F1	1.6A 250V	1.6A 125V	1.6A 125V	T1.6A	T1.6A
F2	1.25A 250V	1.25A 125V	1.25A 125V	T1.25A	T1.25A
F3	400mA 250V	400mA 125V	400mA 125V	T400mA	T400mA
F4	1.6A 250V	1.6A 125V	1.6A 125V	T1.6A	T1.6A

POWER SUPPLY PCB CX-5227A

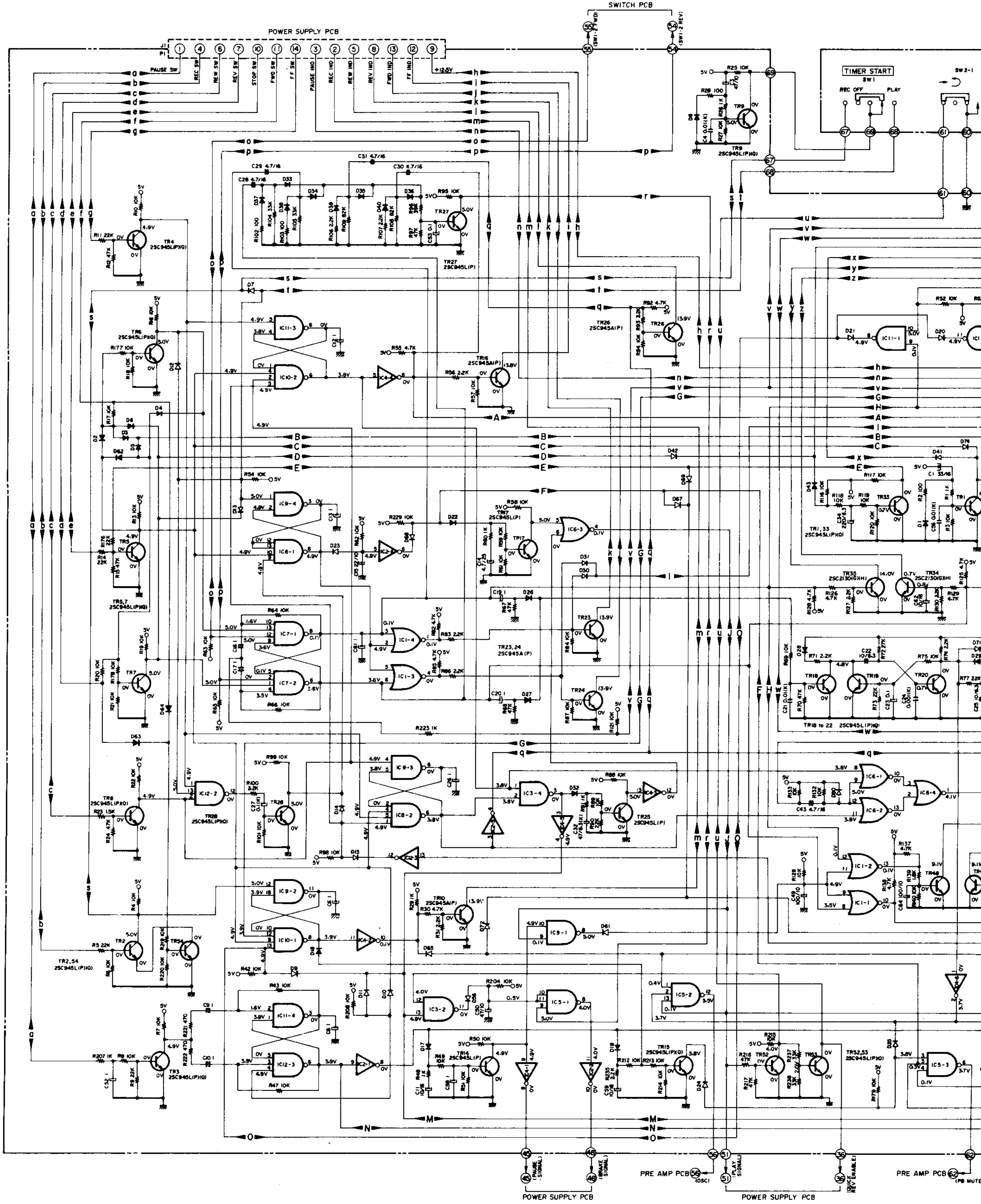
WARNING: Δ INDICATES SAFETY CRITICAL COMPONENTS. FOR CONTINUED SAFETY, REPLACE SAFETY CRITICAL COMPONENTS ONLY WITH MANUFACTURER'S RECOMMENDED PARTS.  
 AVERTISSEMENT: Δ IL INDIC LES COMPOSANTS CRITIQUES DE SÛRETÉ. POUR MAINTENIR LE DEGRÉ DE SÛRETÉ DE L'APPAREIL NE REMPLACER LES COMPOSANTS DONT LE FONCTIONNEMENT EST CRITIQUE POUR LA SÛRETÉ QUE PAR DES PIÈCES RECOMMANDÉES PAR LE FABRICANT



NOTE  
 UNLESS OTHERWISE SPECIFIED  
 ALL RESISTORS IN OHMS 1/4W (J)  
 ALL CAPACITORS IN μF 50 WV (J)  
 (FS) = FAIL SAFE RESISTORS  
 (LL) = LOW LEAKAGE CAPACITORS  
 — MARK INDICATES NON POLAR CAPACITORS  
 POWER TRANSFORMER IS DIFFERENT ACCORDING TO AREA

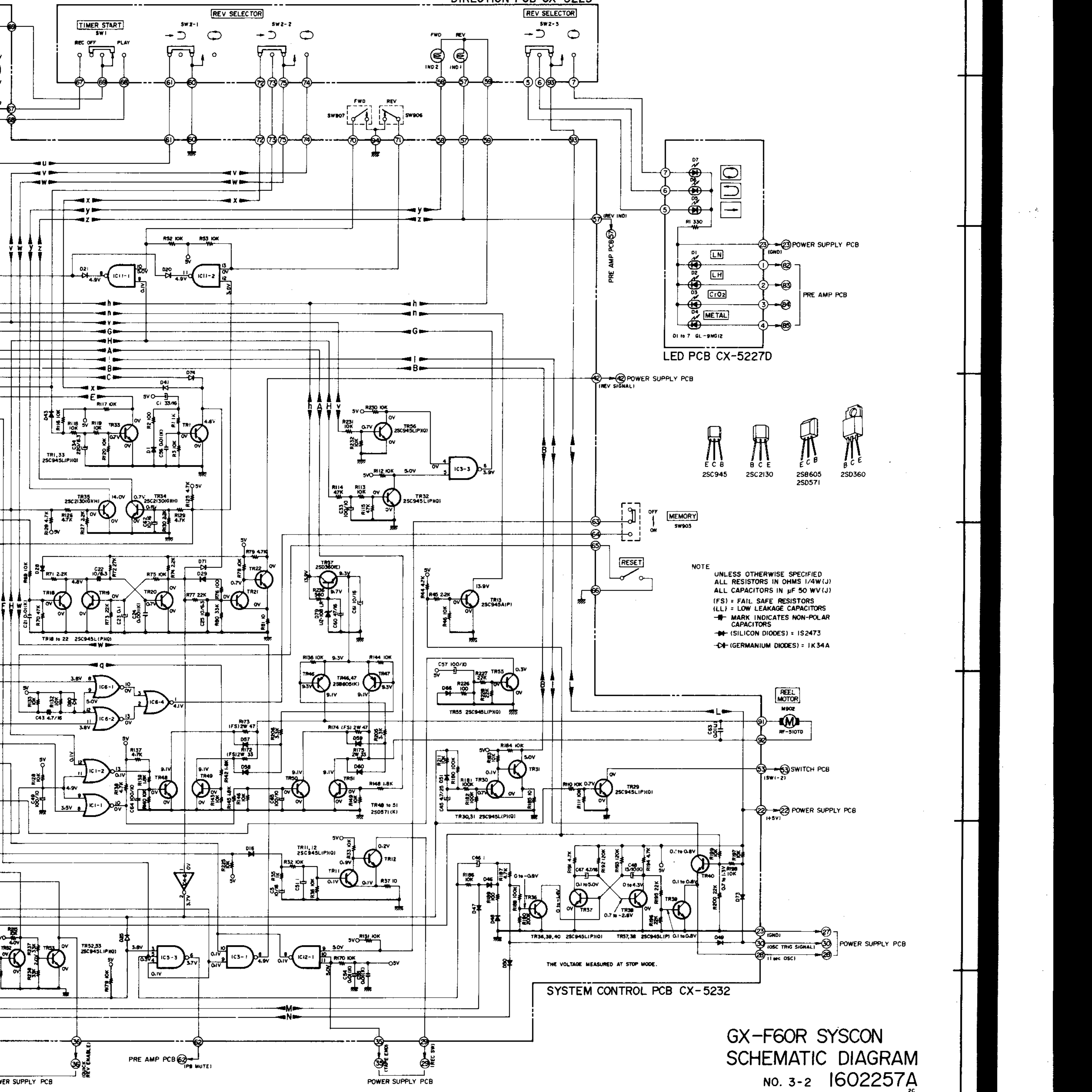
GX-F60R  
 SCHEMATIC DIAGRAM  
 No.3-1 1602256A

GX-F60R



0011380

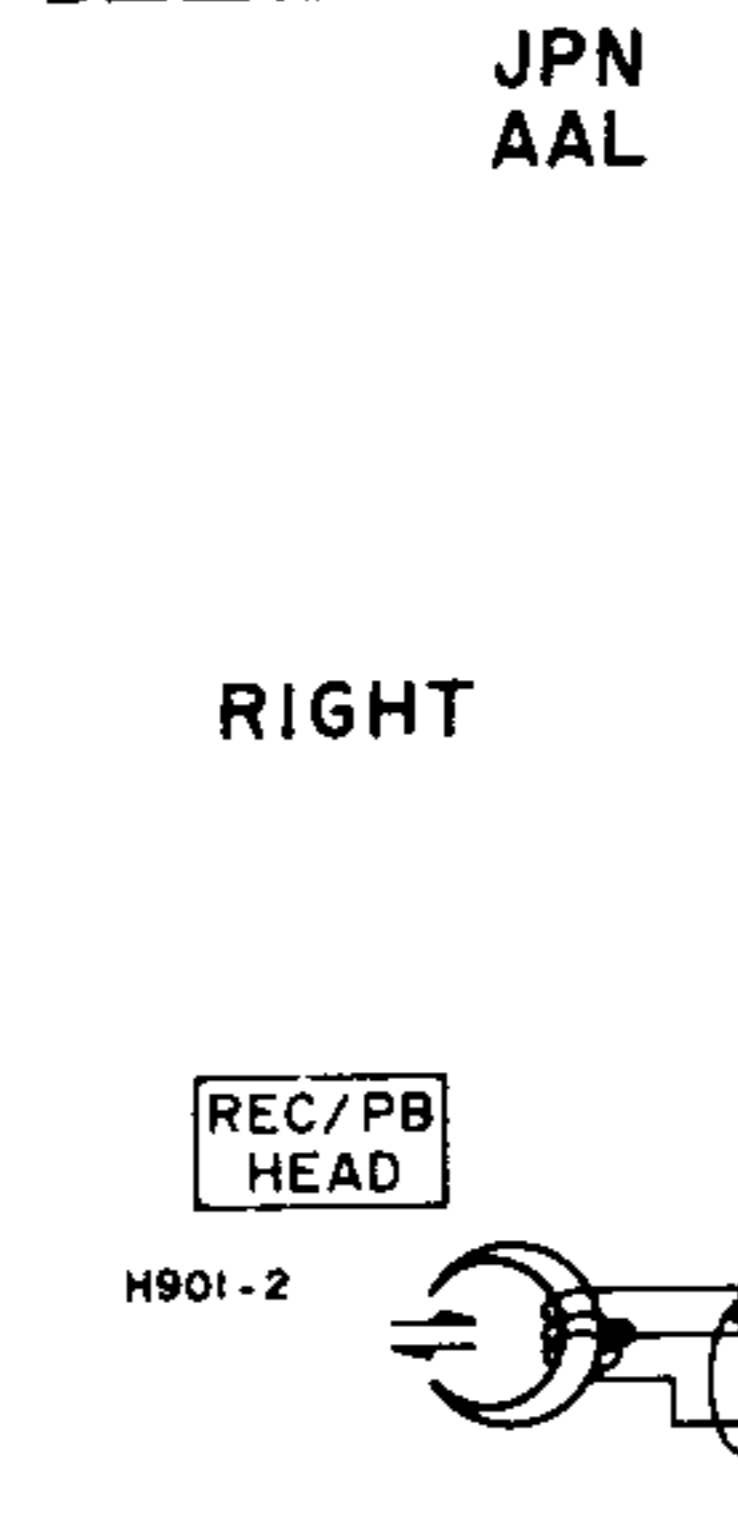
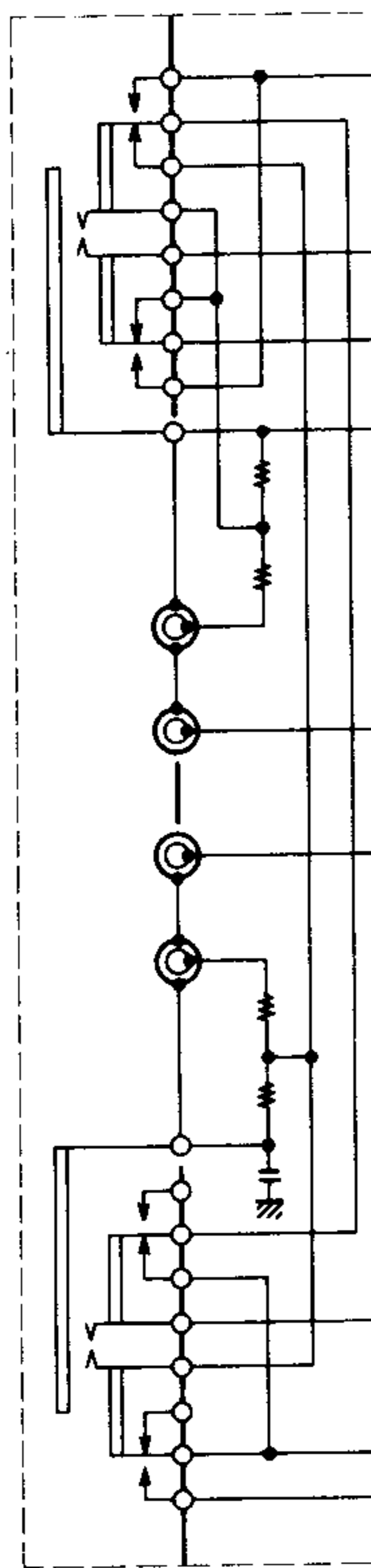
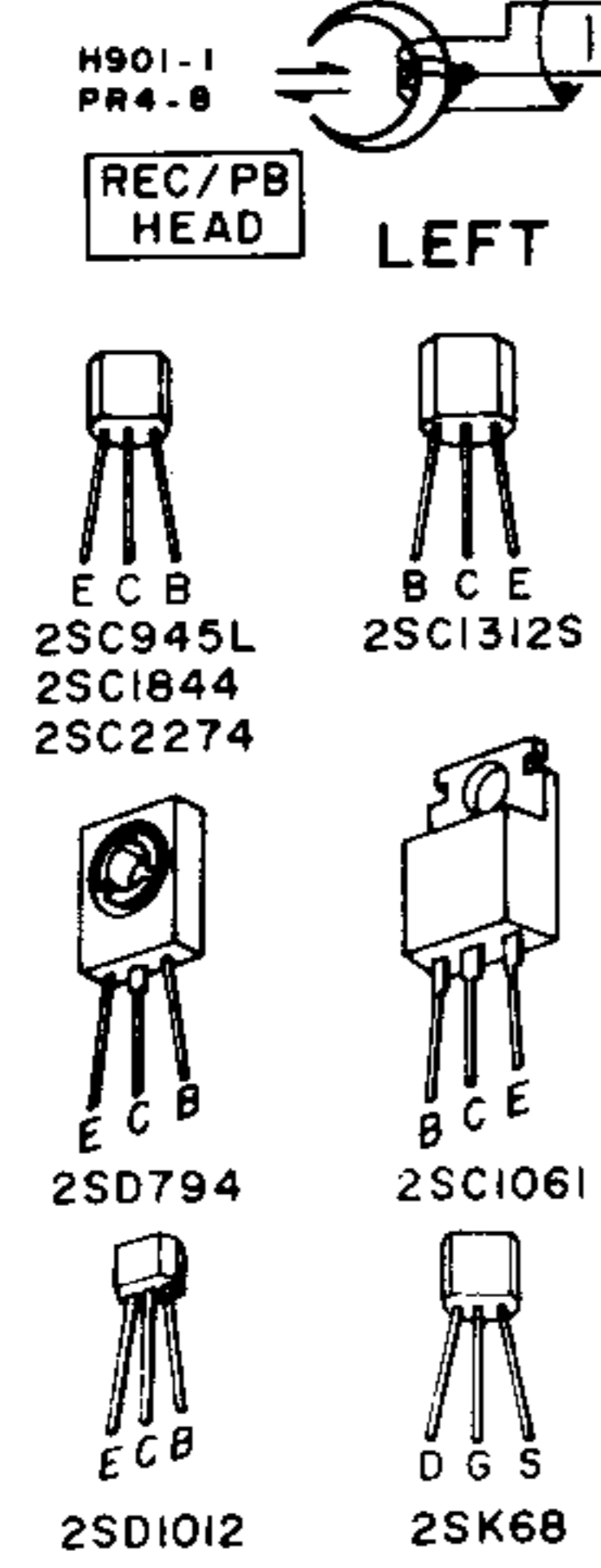
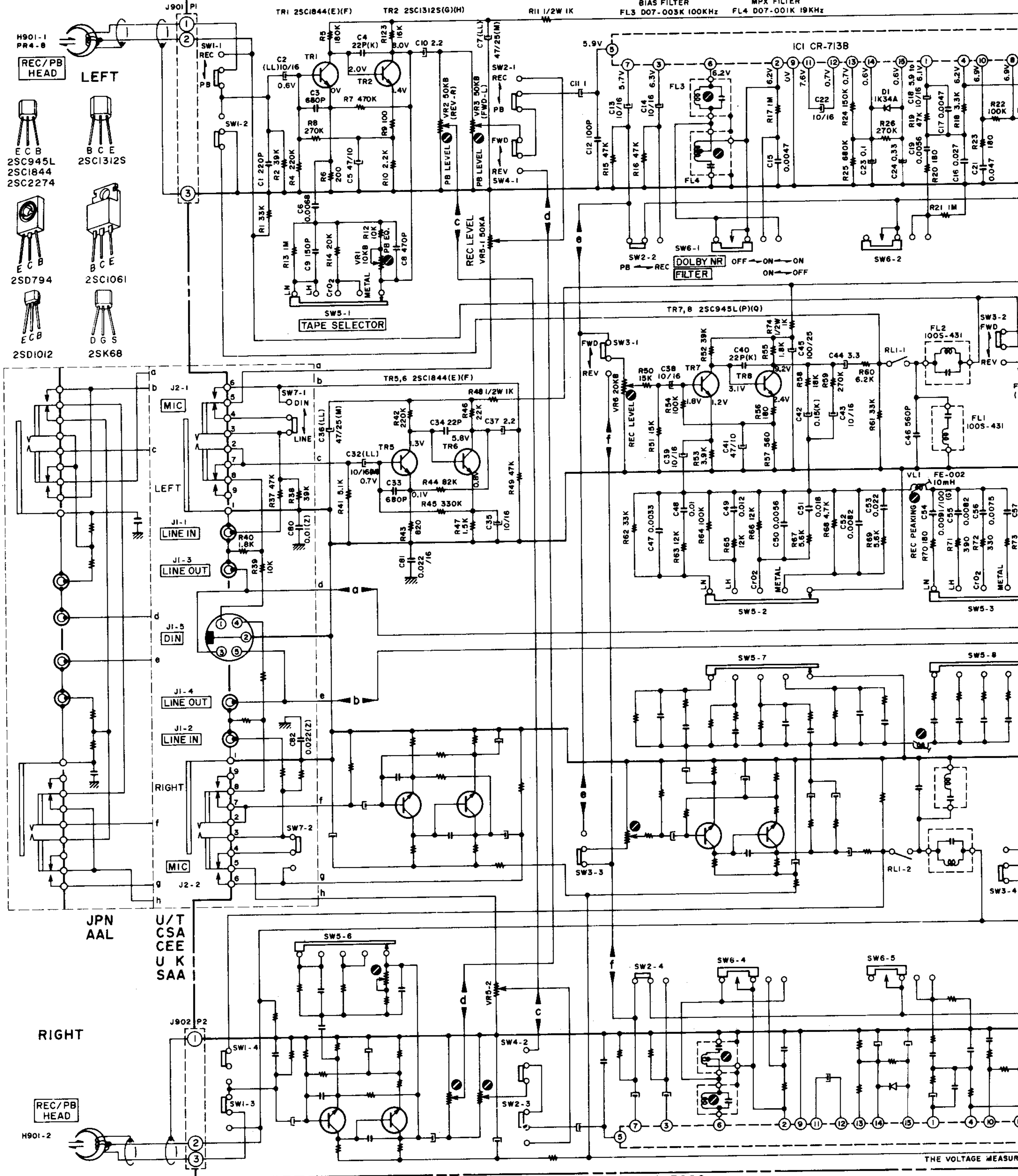
DIRECTION PCB CX-5229



NOTE  
 UNLESS OTHERWISE SPECIFIED  
 ALL RESISTORS IN OHMS 1/4W(J)  
 ALL CAPACITORS IN µF 50 WV(J)  
 (FS) = FAIL SAFE RESISTORS  
 (LL) = LOW LEAKAGE CAPACITORS  
 ▬ MARK INDICATES NON-POLAR CAPACITORS  
 ▬ (SILICON DIODES) = 1S2473  
 ▬ (GERMANIUM DIODES) = 1K 34A

GX-F60R SYSCON  
 SCHEMATIC DIAGRAM  
 NO. 3-2 1602257A  
 2C

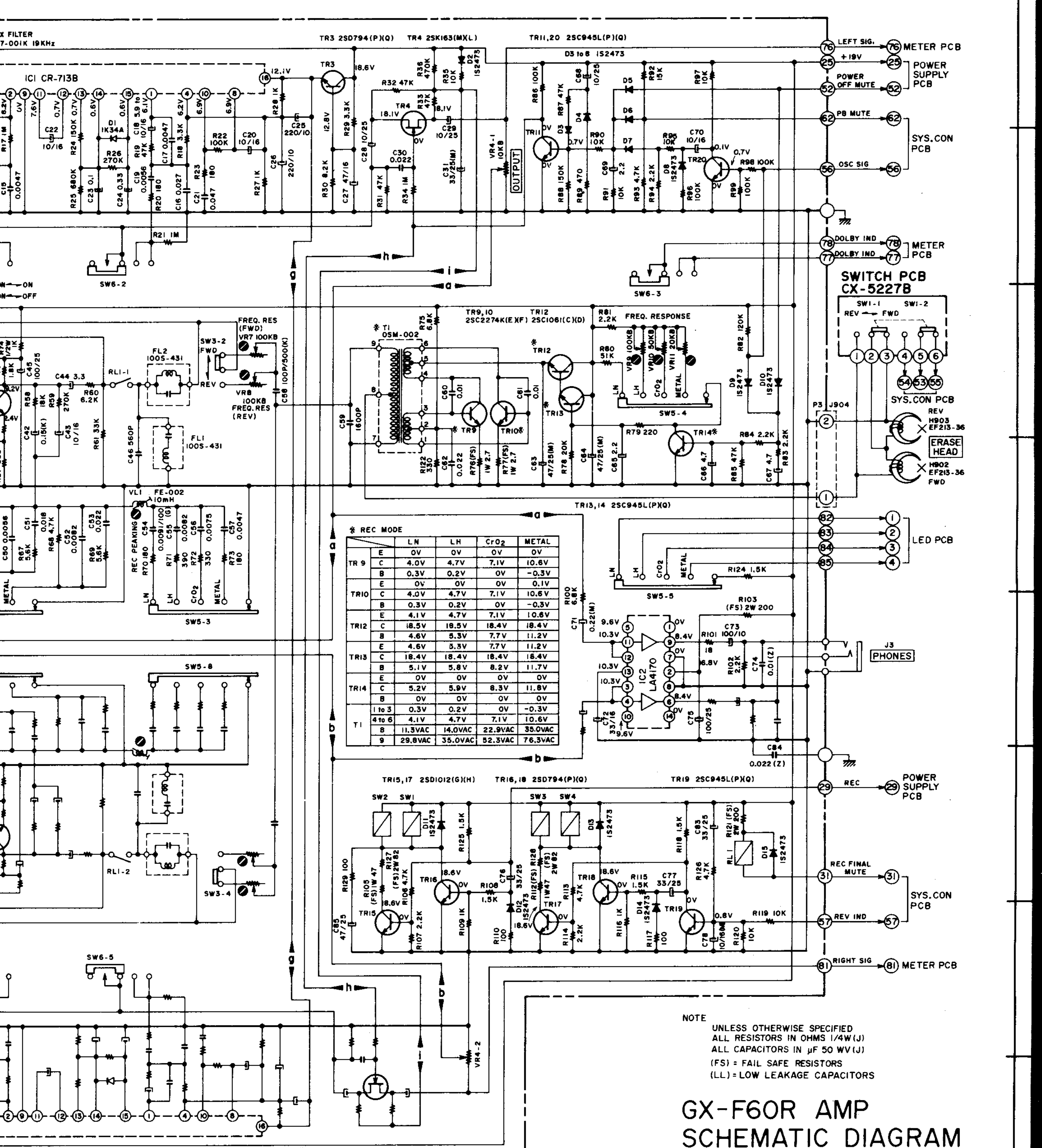
GX-F60R



PRE AMP PCB CX-5226

001139E

THE VOLTAGE MEASURE



NOTE  
 UNLESS OTHERWISE SPECIFIED  
 ALL RESISTORS IN OHMS 1/4W(J)  
 ALL CAPACITORS IN  $\mu$ F 50 WV(J)  
 (FS) = FAIL SAFE RESISTORS  
 (LL) = LOW LEAKAGE CAPACITORS

# GX-F60R AMP SCHEMATIC DIAGRAM

No. 3-3 1602258A