

SECTION 3

**SCHEMATIC DIAGRAM**

TABLE OF CONTENTS

- 1. SCHEMATIC DIAGRAM OF ICs..... 49
- 2. HX-2 POWER AND SYSCON NO. 2-1 830707A  
SCHEMATIC DIAGRAM ..... 53
- 3. HX-2 AMP NO. 2-2 830708A  
SCHEMATIC DIAGRAM ..... 54
- 4. HX-3 POWER AND SYSCON NO. 2-1 830709A  
SCHEMATIC DIAGRAM ..... 55
- 5. HX-3 AMP NO. 2-2 830710A  
SCHEMATIC DIAGRAM ..... 56

***RTV servis Horvat***

Kešinci, 31402 Semeljci

Tel : 031-856-637

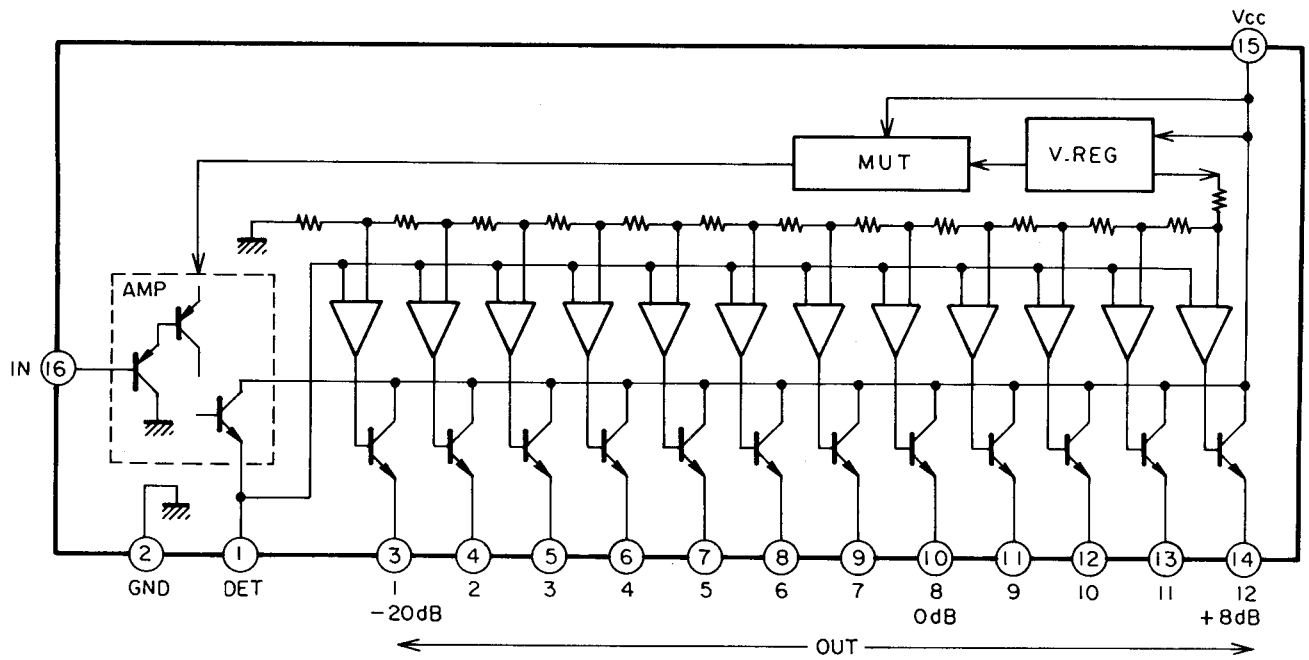
Tel / fax : 031-856-139

Mob : 098-788-319

rtv-servis-horvat@os.tel.hr

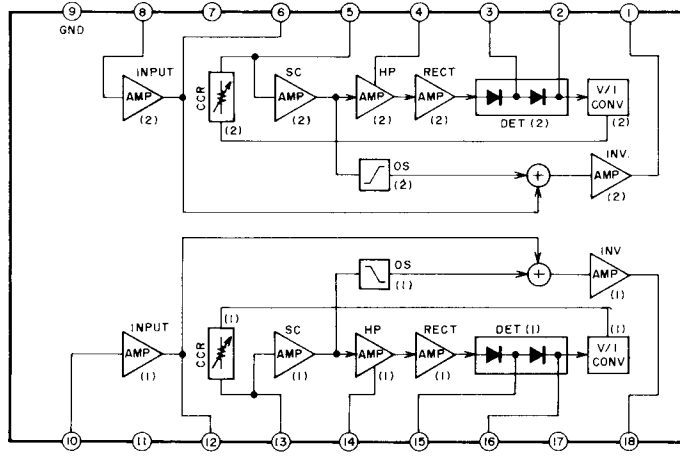
**SCHEMATIC DIAGRAM OF IC's**

BA6146

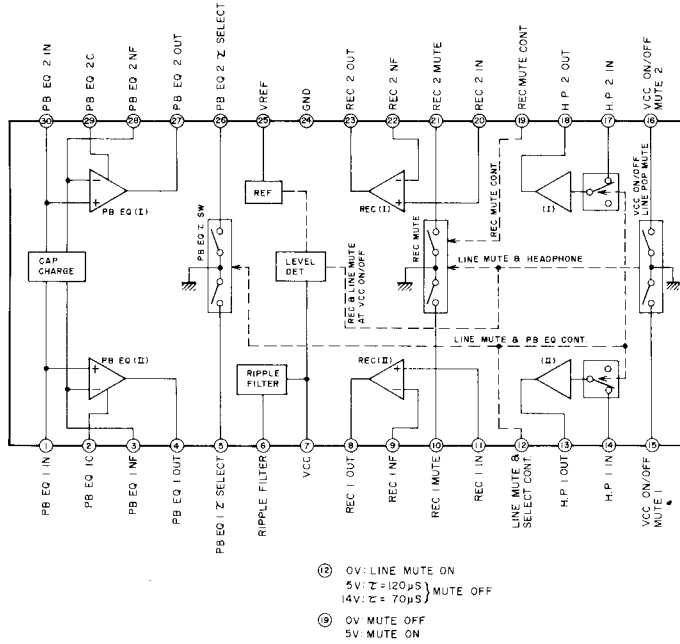


SCHEMATIC DIAGRAM HX-2/HX-3

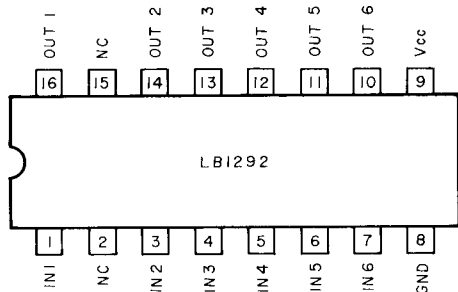
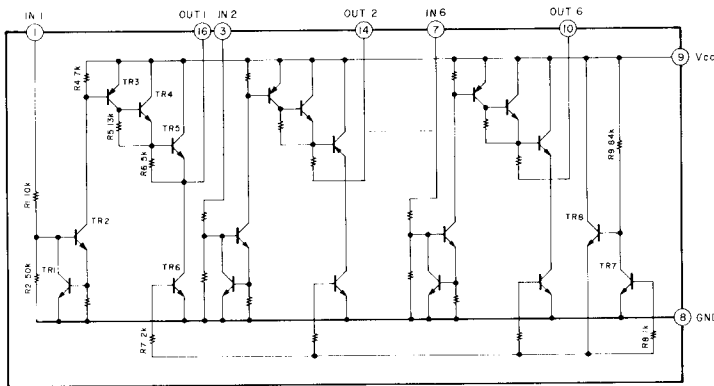
HA12045



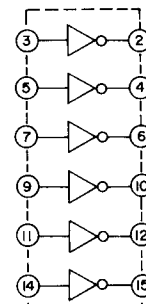
HA12051NT



LB1292

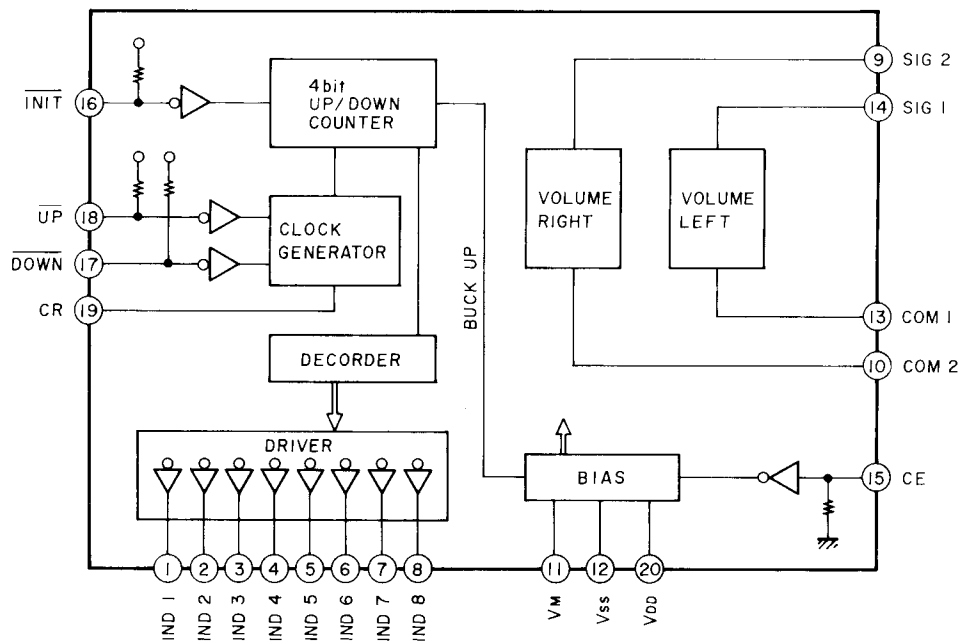


LC4049B

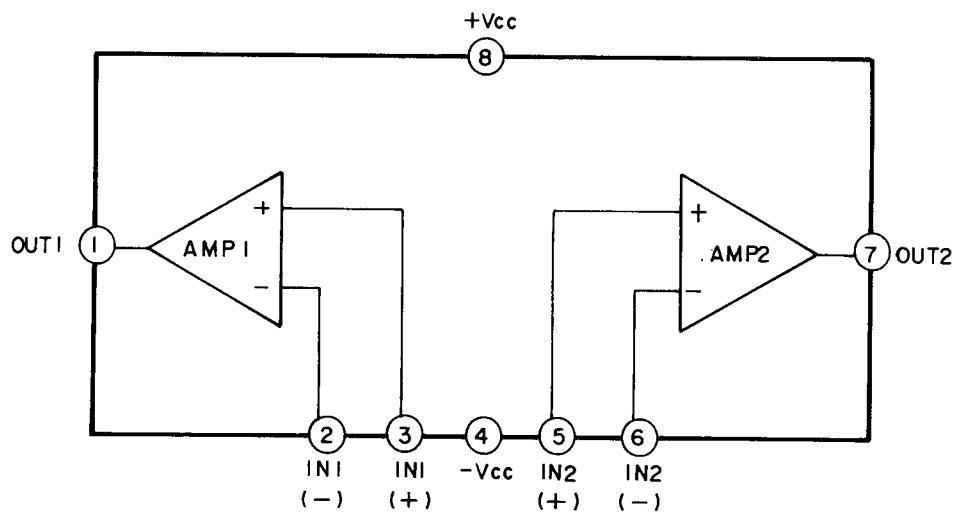


NC= Pin 13  
 VSS= Pin 8  
 VCC= Pin 1

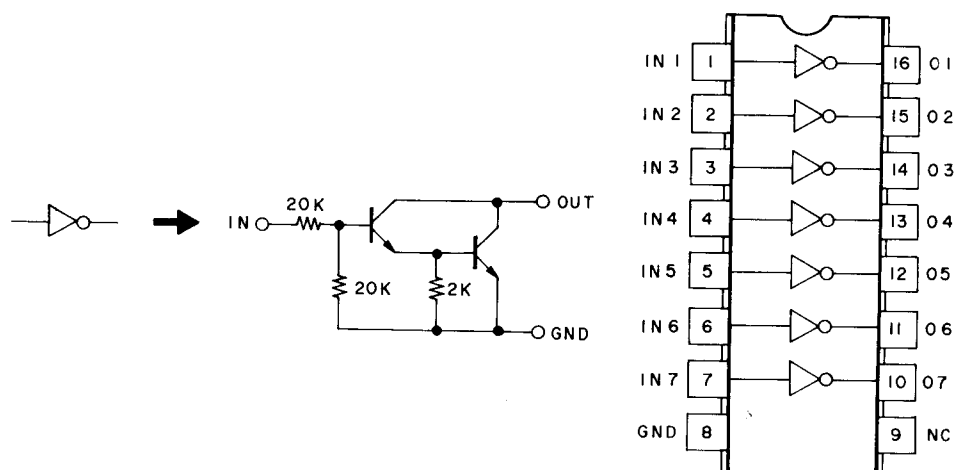
LC7530

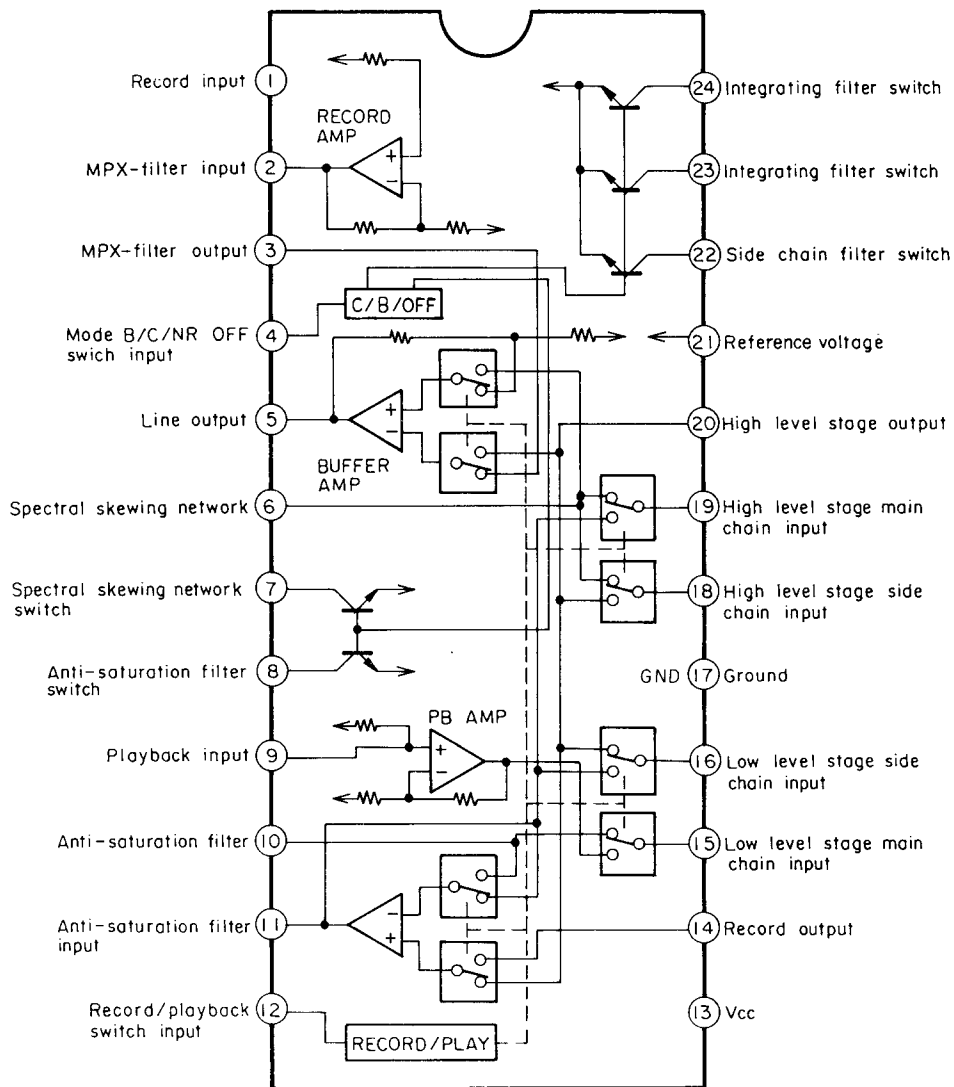
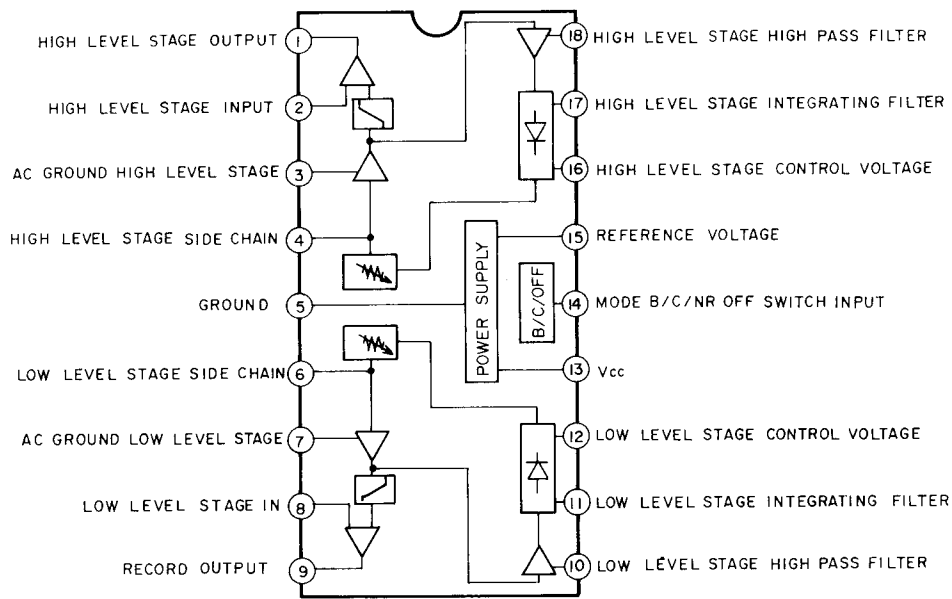


M5218L0



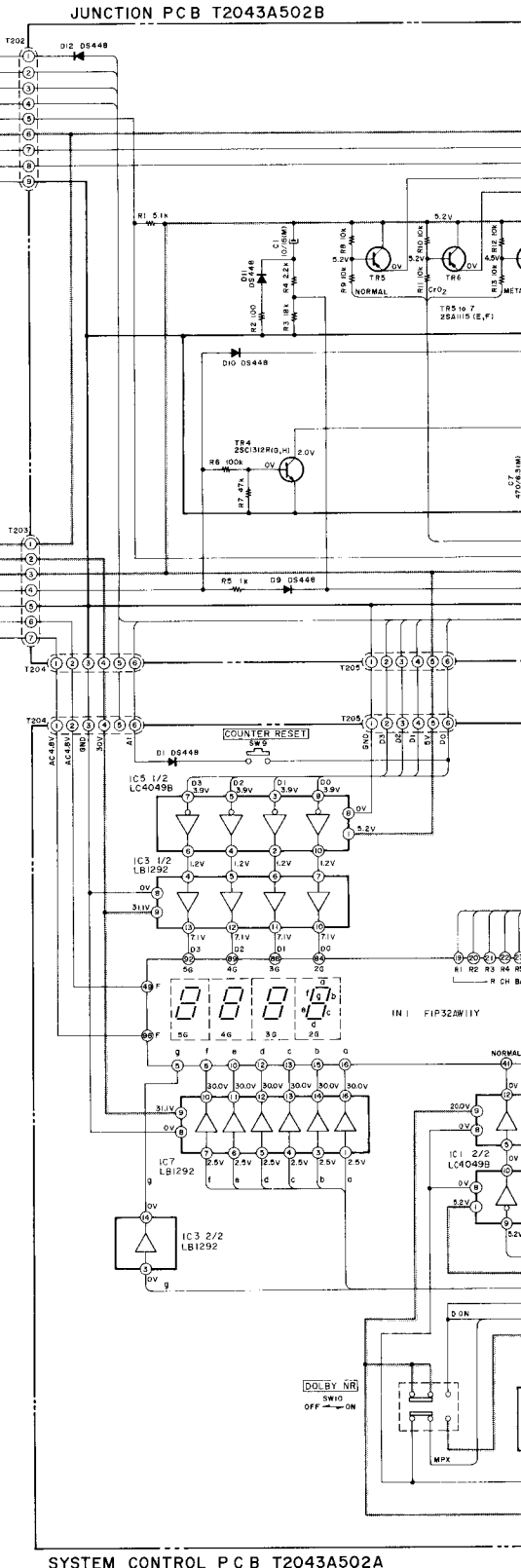
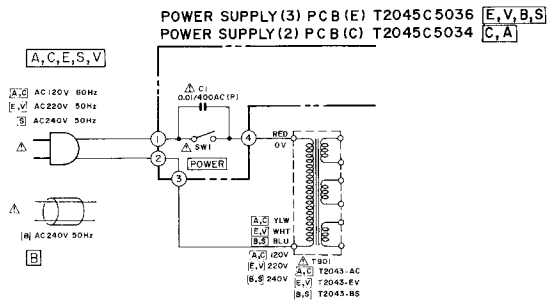
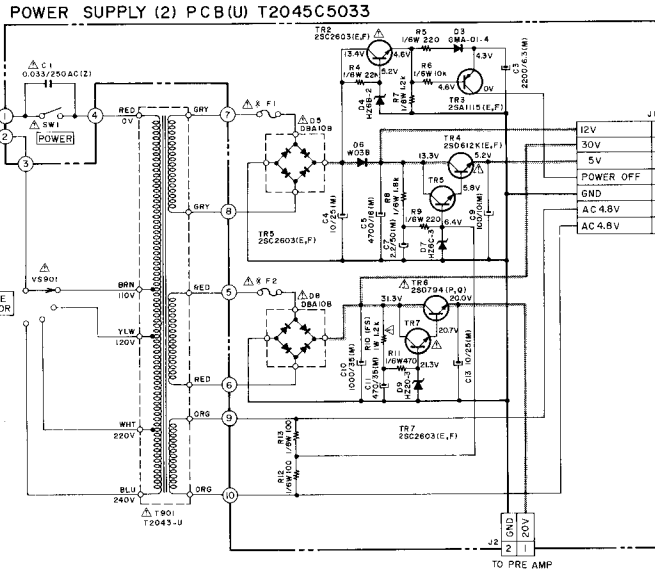
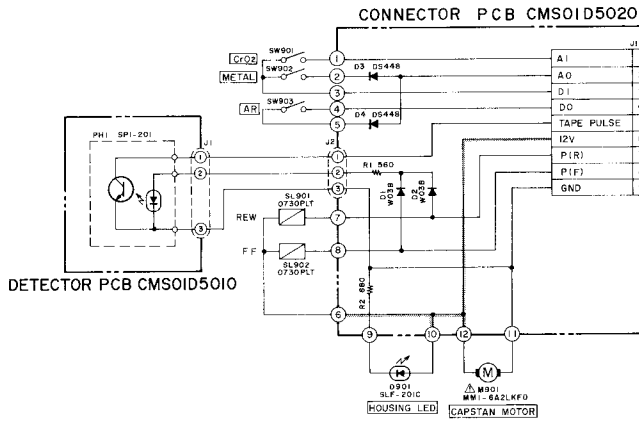
M54519P

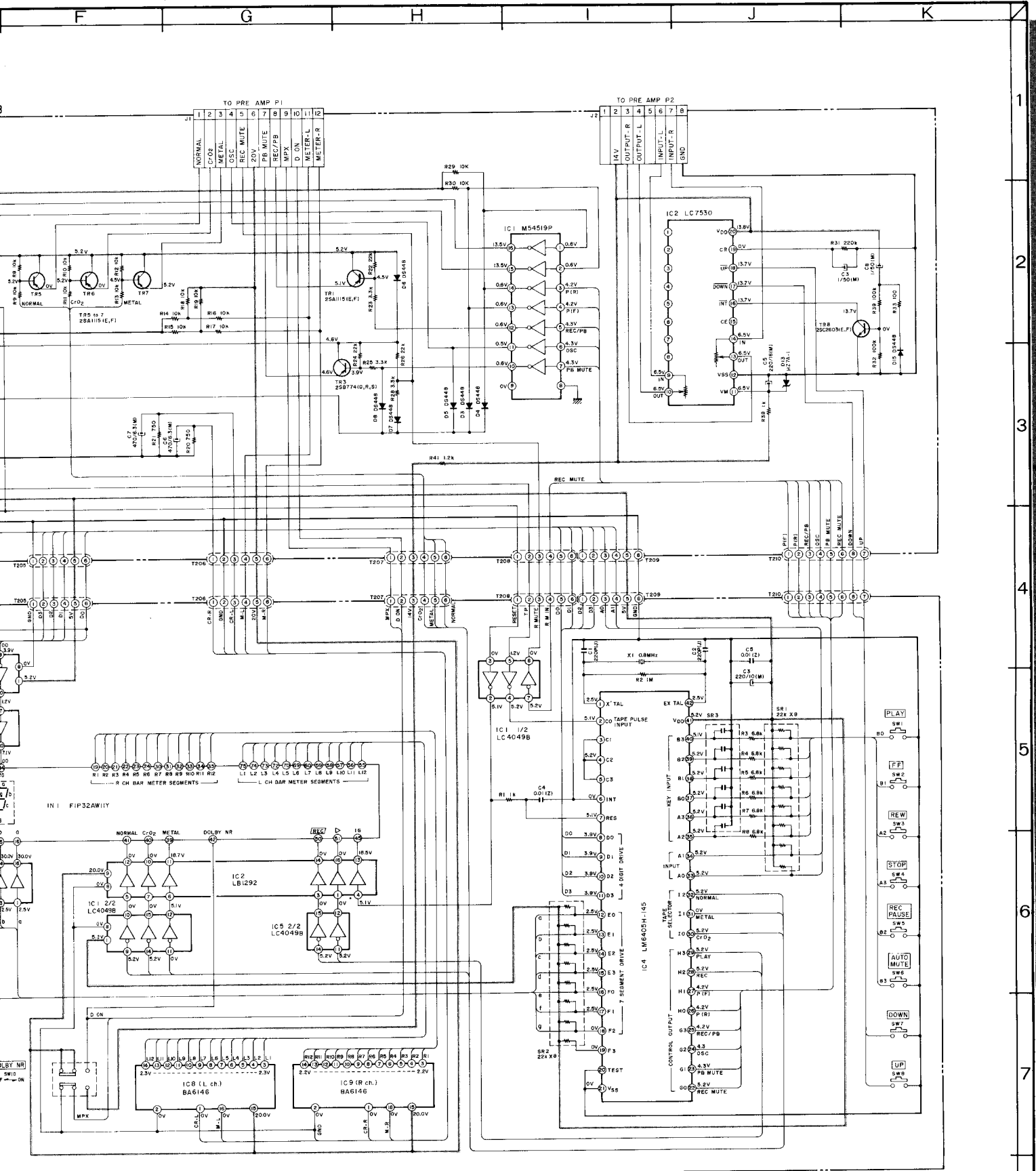




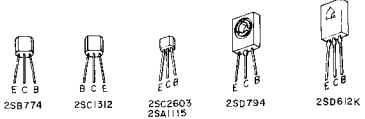
SCHMATIC DIAGRAM HX-2/HX-3

HX-2





3A502A



VOLTAGE AT STOP MODE  
INDICATES: DOLBY ON  
METAL  
COUNTER 0000

NOTES  
UNLESS OTHERWISE SPECIFIED  
ALL RESISTORS IN OHMS (1/4W (J))  
ALL CAPACITORS IN μF (50 WV (J))  
(FS) - FAIL SAFE RESISTORS  
POWER TRANSFORMER IS DIFFERENT  
ACCORDING TO AREA

(CASSETTE DECK)  
**HX-2**  
**POWER & SYSCON**  
**SCHEMATIC DIAGRAM**  
NO.2-1 830707A

1  
2  
3  
4  
5  
6  
7  
8

HX-2

1

2

3

4

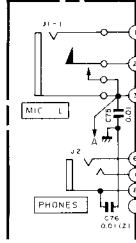
5

6

7

8

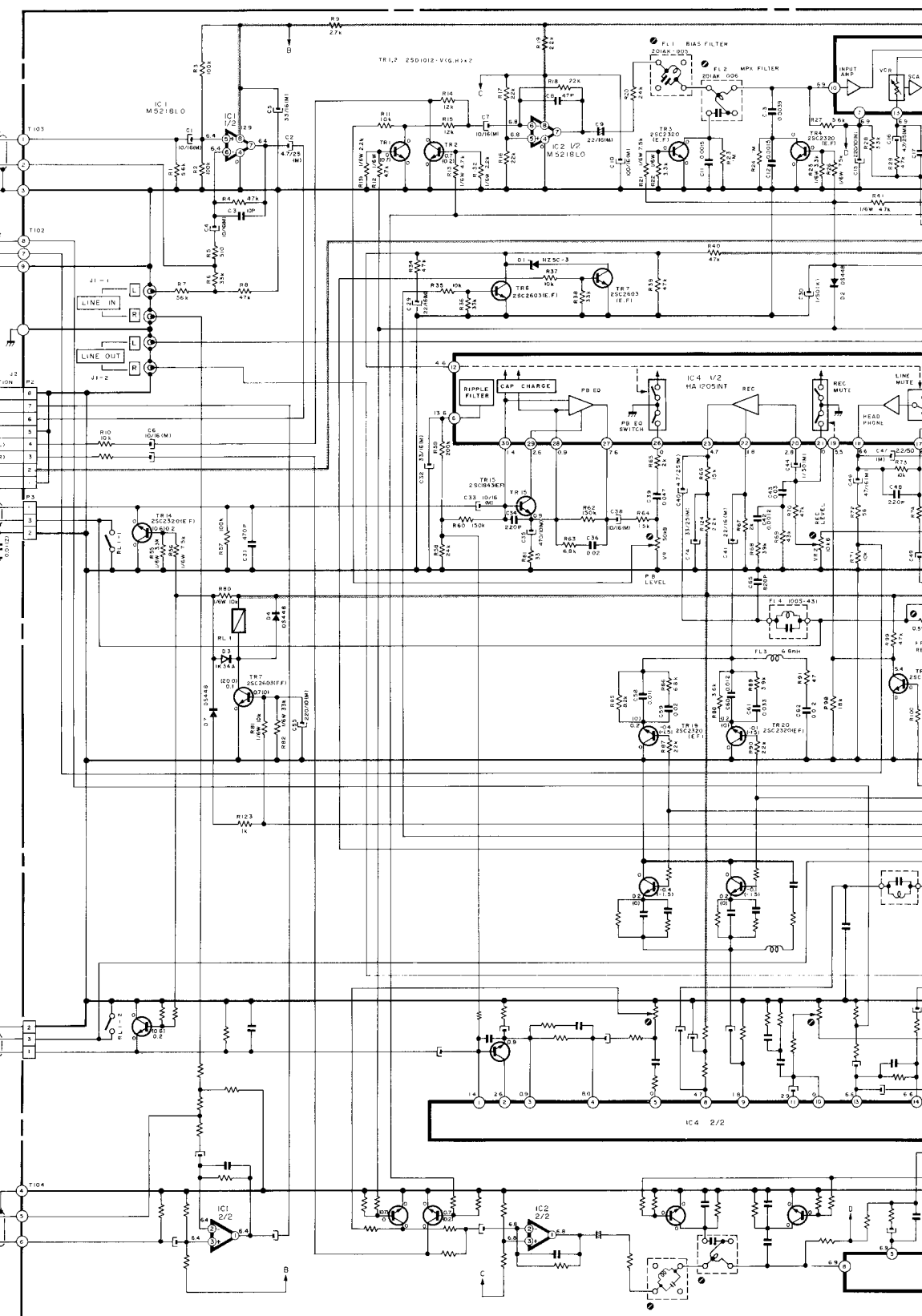
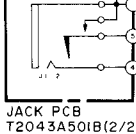
JACK PCB  
T2043A501B (1/2)



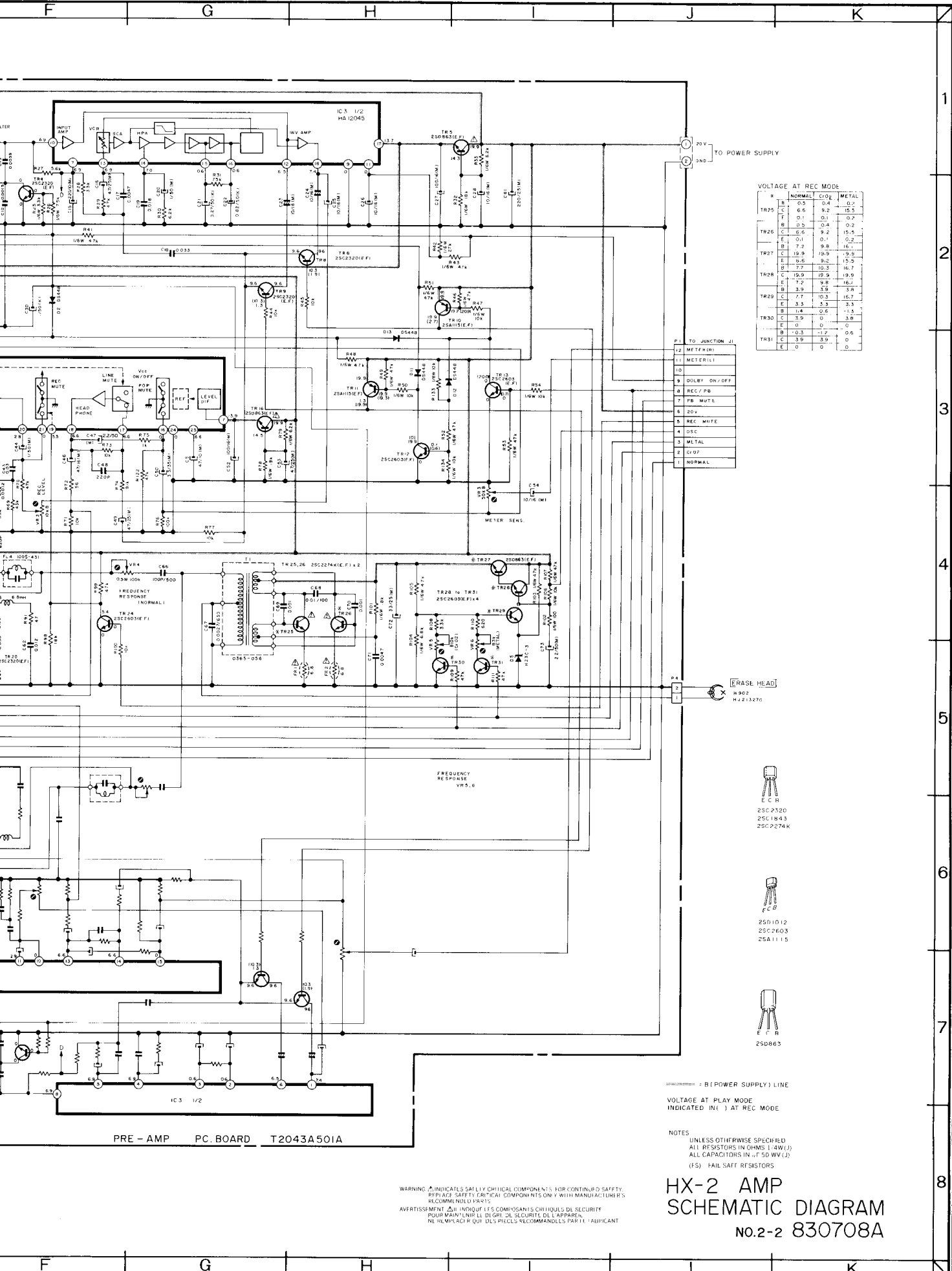
LEFT

RIGHT

JACK PCB  
T2043A501B (2/2)



PRE



VOLTAGE AT REC MODE

X	B	NORMAL	C/D	METAL
TR25	B	0.5	0.4	0.2
	C	6.6	9.2	15.5
TR26	B	0.1	0.1	0.2
	C	6.6	9.2	15.5
TR27	B	7.2	9.8	16.7
	C	19.9	19.9	19.9
TR28	B	7.2	10.3	16.7
	C	19.9	19.9	19.9
TR29	B	7.7	10.3	16.7
	C	3.3	5.3	3.3
TR30	B	3.9	0	3.8
	C	0	0	0
TR31	B	0.3	0.2	0.6
	C	3.9	3.9	0

- P1 TO JUNCTION J1
- 12 MET F (H)
- 11 MET E (L)
- 10
- 9 DOLBY ON/OFF
- 8 REC / PB
- 7 PB MUTE
- 6 20V
- 5 REC MUTE
- 4 DSC
- 3 METAL
- 2 C/D
- 1 NORMAL

25C2520  
25C1843  
25C274K

25B1012  
25C2603  
25A1115

25D863

UNINDICATED - B (POWER SUPPLY) LINE  
VOLTAGE AT PLAY MODE  
INDICATED IN ( ) AT REC MODE

NOTES  
UNLESS OTHERWISE SPECIFIED  
ALL RESISTORS IN OHMS (1.4W (1))  
ALL CAPACITORS IN μF (50 WV (1))  
(FS) FAIL SAFE RESISTORS

# HX-2 AMP SCHEMATIC DIAGRAM NO.2-2 830708A

WARNING: INDICATES SAFETY CRITICAL COMPONENTS. FOR CONTINUED SAFETY, REPLACE SAFETY CRITICAL COMPONENTS ONLY WITH MANUFACTURER'S RECOMMENDED PARTS.  
AVERTISSEMENT: LES INDICATEURS SONT DES COMPOSANTS CRUCIAUX DE LA SECURITE. POUR MAINTENIR LE NIVEAU DE SECURITE DE L'APPAREIL, REMPLACEZ SEULEMENT LES COMPOSANTS RECOMMANDES PAR LE FABRICANT.

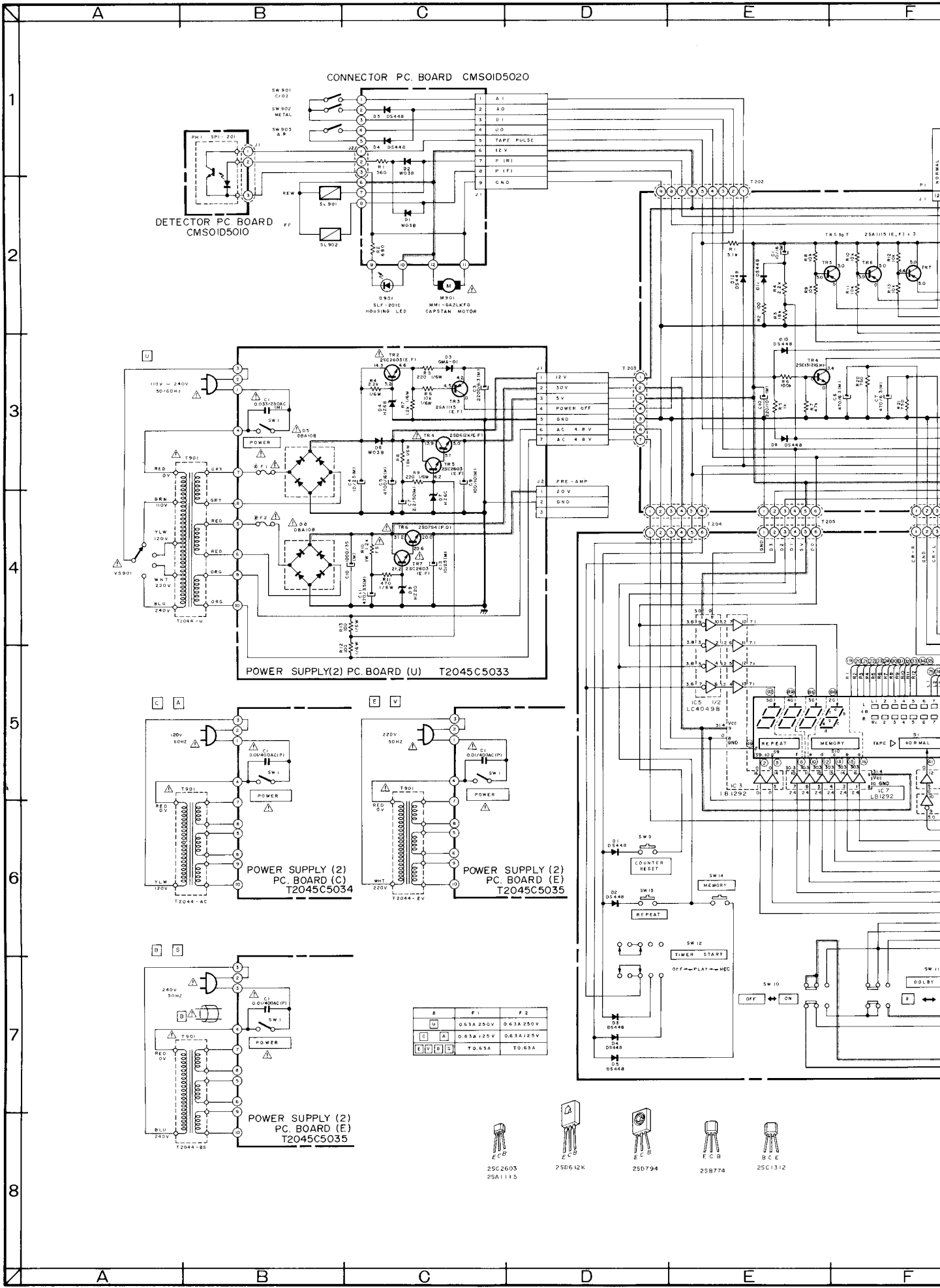
PRE-AMP PC BOARD T2043A501A

IC3 1/2

FREQUENCY RESPONSE VR5,6

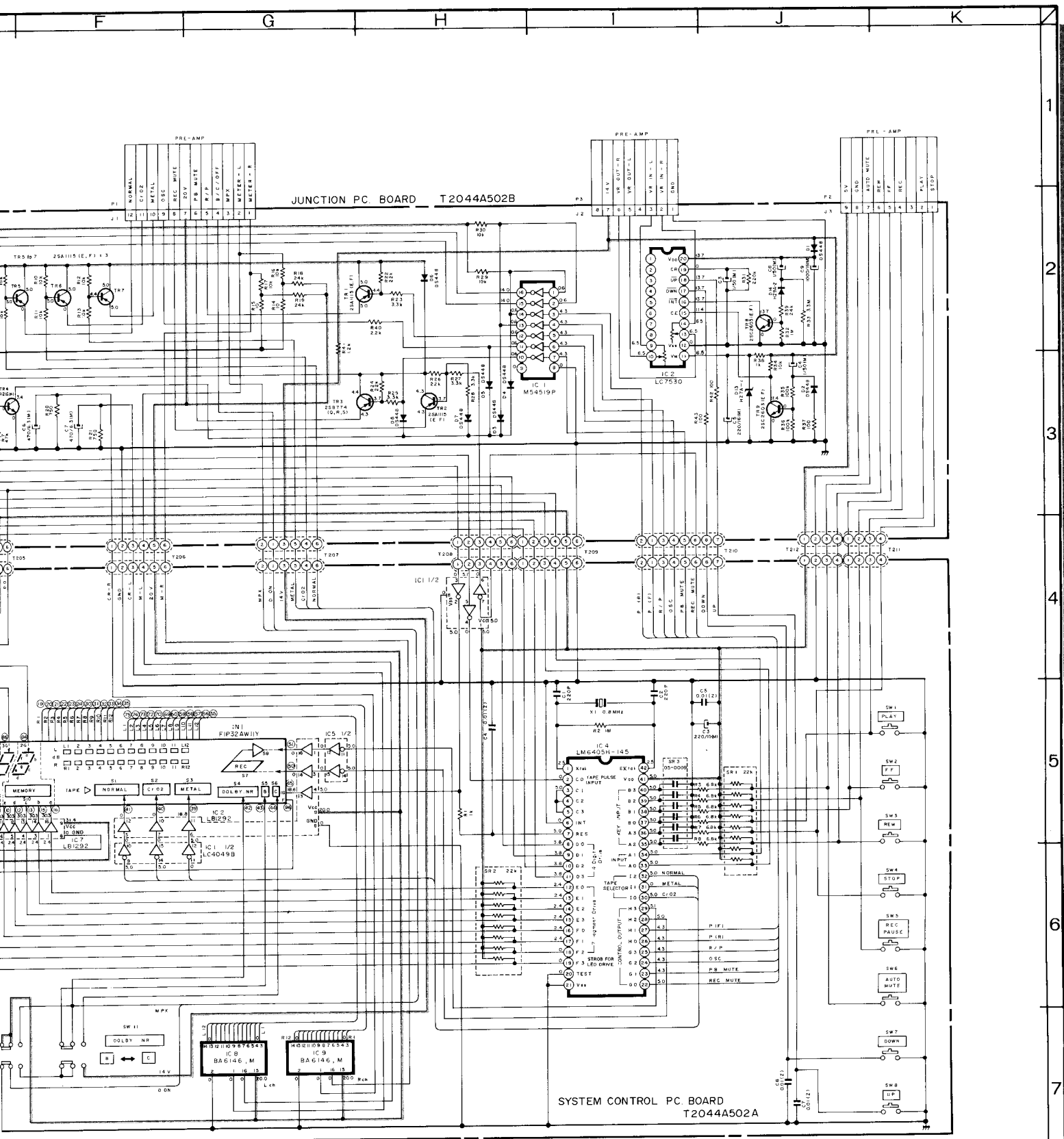
ERASE HEAD H902 HJ213270





R	F1	F2
U	0.53A 250V	0.63A 250V
C A	0.63A ±25V	0.63A ±25V
E V B D	T0.63A	T0.63A

- 25C2603  
25A1115
- 25D612K
- 25D794
- 25B774
- 25C1312



--- B (POWER SUPPLY) LINE

VOLTAGES AT STOP MODE

WARNING: INDICATES SAFETY CRITICAL COMPONENTS FOR CONTINUOUS SAFETY. REPLACE SAFETY CRITICAL COMPONENTS ONLY WITH MANUFACTURER'S RECOMMENDED PARTS.  
AVERTISSEMENT: IL INDIQUE LES COMPOSANTS CRITIQUES DE SECURITE POUR MAINTENIR LE DEGRE DE SECURITE DE L'APPAREIL. NE REMPLACEZ QUE LES PIECES RECOMMANDEES PAR LE FABRICANT.

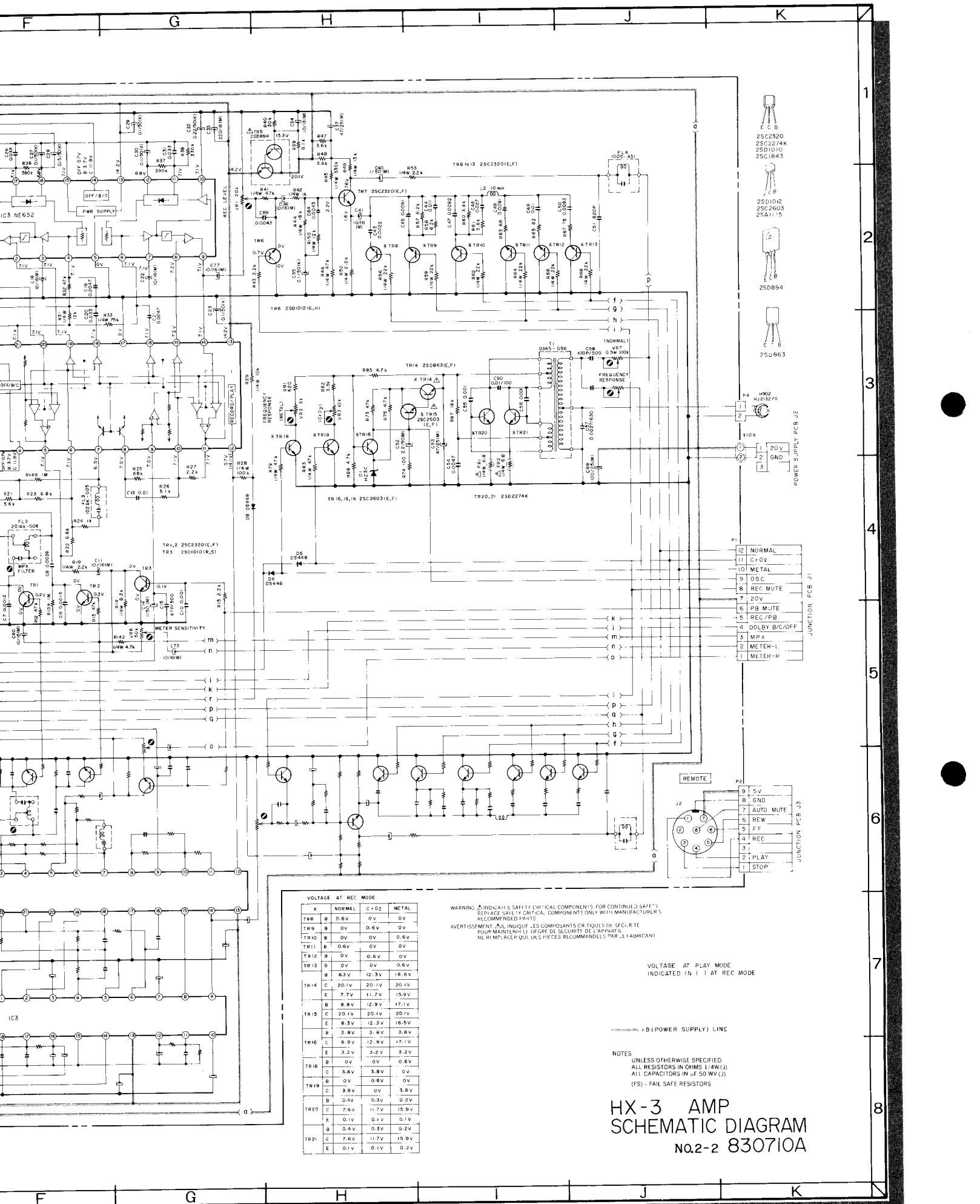
NOTE: UNLESS OTHERWISE SPECIFIED:  
ALL RESISTORS IN OHMS UNLESS OTHERWISE SPECIFIED.  
ALL CAPACITORS IN P.F. 50 WVDC UNLESS OTHERWISE SPECIFIED.  
POWER TRANSFORMER IS DIFFERENT ACCORDING TO AREA.

(CASSETTE DECK)  
HX-3  
POWER & SYSCON  
SCHEMATIC DIAGRAM  
No.2-1 830709A

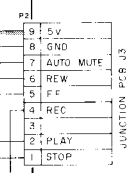
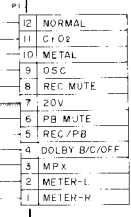
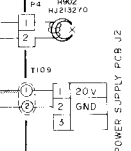
F G H I J K

1  
2  
3  
4  
5  
6  
7  
8





- 25C2320
- 25C2274K
- 25D1010
- 25C1843
- 25D1042
- 25C2603
- 25A1115
- 25D894
- 25D863



VOLTAGE AT REC MODE

X	NORMAL	C1 O2	METAL
TR8	B 0.6V	0V	0V
TR9	B 0V	0.6V	0V
TR10	B 0V	0V	0.6V
TR11	B 0.6V	0V	0V
TR12	B 0V	0V	0V
TR13	B 0V	0V	0.6V
TR14	C 20.1V	20.1V	20.1V
	E 7.7V	11.7V	15.9V
TR15	C 20.1V	20.1V	20.1V
	E 8.8V	12.9V	17.1V
TR16	C 8.8V	12.9V	16.5V
	E 3.8V	3.6V	8.8V
TR18	C 0.8V	12.9V	17.1V
	E 3.2V	5.2V	3.2V
TR19	B 0.4V	0V	0.2V
	C 3.8V	3.8V	0V
	D 3.8V	0V	3.8V
	E 0.4V	0.2V	0.2V
TR20	C 7.6V	11.7V	15.9V
	E 0.1V	0.1V	0.1V
	B 0.4V	0.3V	0.2V
TR21	C 7.6V	11.7V	15.9V
	E 0.1V	0.1V	0.2V

WARNING: INDICATES SAFETY CRITICAL COMPONENTS FOR CONTINUOUS SAFETY. REPLACE SAFETY CRITICAL COMPONENTS ONLY WITH MANUFACTURER'S RECOMMENDED PARTS.  
 AVERTISSEMENT: AIL INDIQUE LES COMPOSANTS CRITIQUELS DE SECURITE. POUR MANTENIR LE NIVEAU DE SECURITE DE L'APPAREIL, NE REMPLACEZ QUE LES PIECES RECOMMANDEES PAR LE FABRICANT.

VOLTAGE AT PLAY MODE INDICATED IN ( ) AT REC MODE

⊕ (POWER SUPPLY) LINE

NOTES  
 UNLESS OTHERWISE SPECIFIED  
 ALL RESISTORS IN OHMS 1/4W(J)  
 ALL CAPACITORS IN μF 50 WV(J)  
 (FS) - FAIL SAFE RESISTORS

# HX-3 AMP SCHEMATIC DIAGRAM

No.2-2 830710A