

SECTION 3

SCHEMATIC DIAGRAM

TABLE OF CONTENTS

- 1. SCHEMATIC DIAGRAM OF ICs..... 49
- 2. HX-2 POWER AND SYSCON NO. 2-1 830707A
SCHEMATIC DIAGRAM 53
- 3. HX-2 AMP NO. 2-2 830708A
SCHEMATIC DIAGRAM 54
- 4. HX-3 POWER AND SYSCON NO. 2-1 830709A
SCHEMATIC DIAGRAM 55
- 5. HX-3 AMP NO. 2-2 830710A
SCHEMATIC DIAGRAM 56

RTV servis Horvat

Kešinci, 31402 Semeljci

Tel : 031-856-637

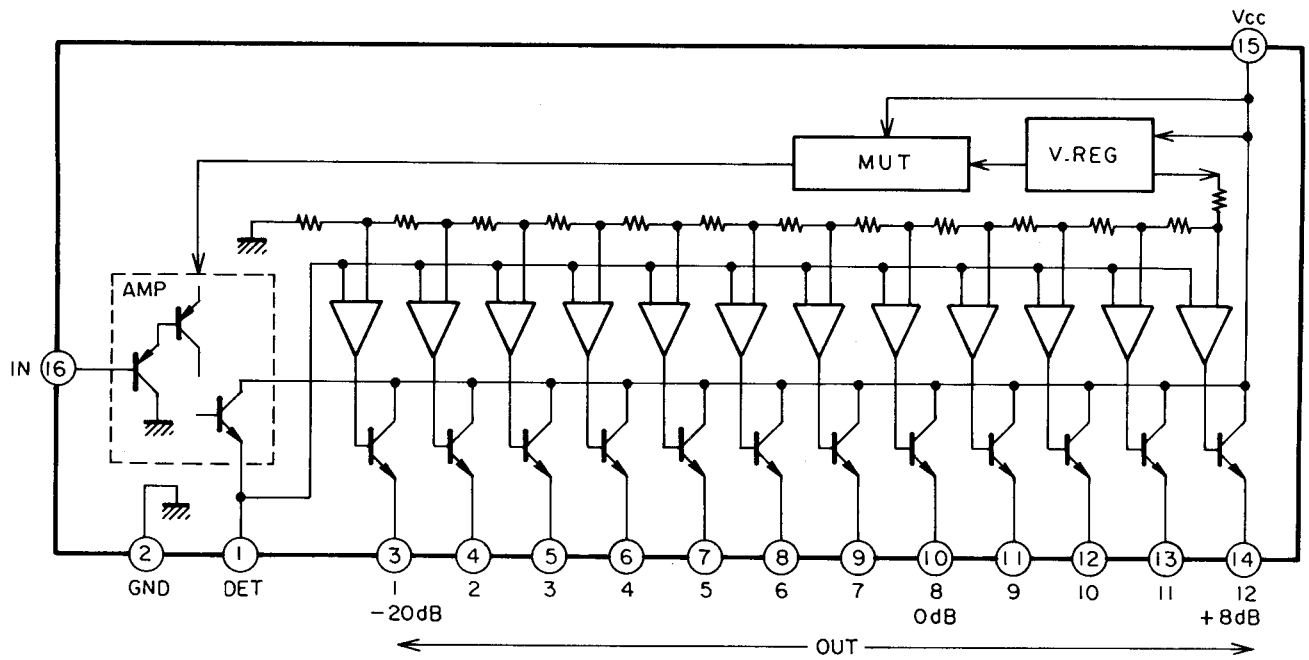
Tel / fax : 031-856-139

Mob : 098-788-319

rtv-servis-horvat@os.tel.hr

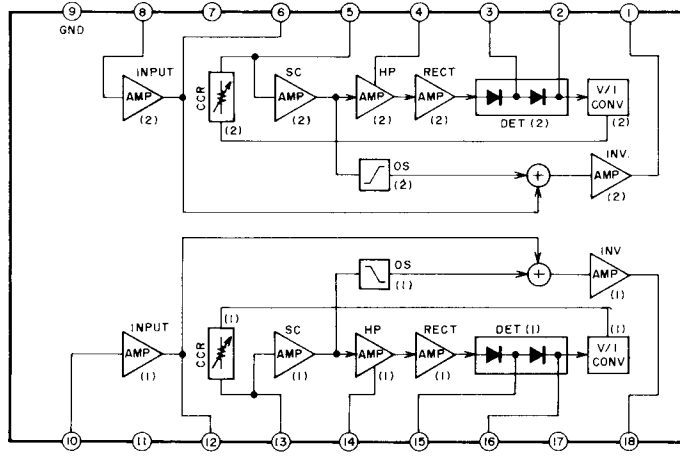
SCHEMATIC DIAGRAM OF IC's

BA6146

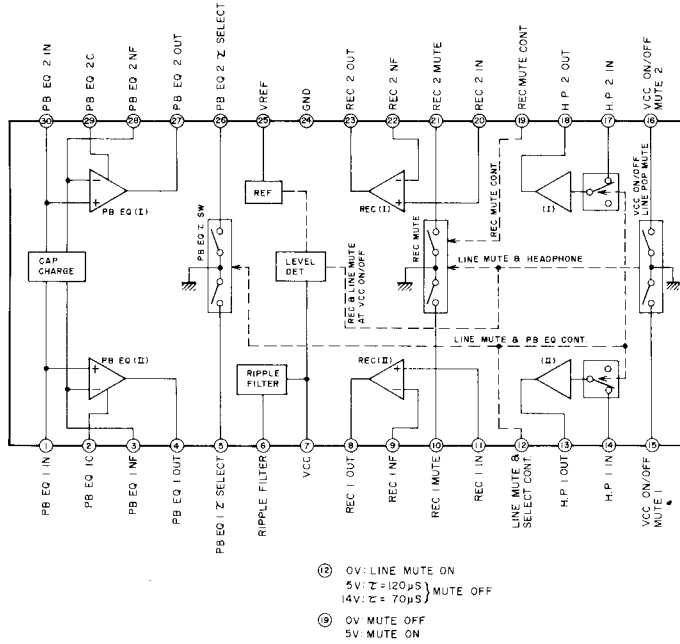


SCHEMATIC DIAGRAM HX-2/HX-3

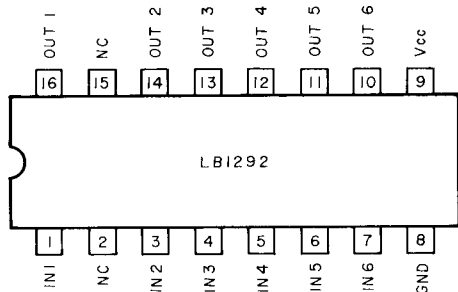
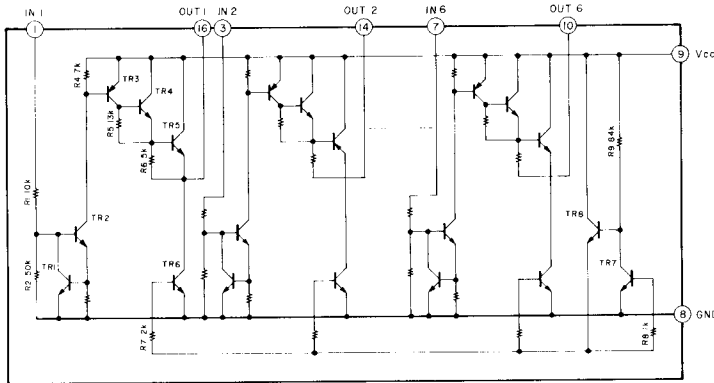
HA12045



HA12051NT

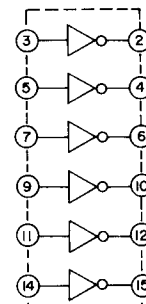


LB1292



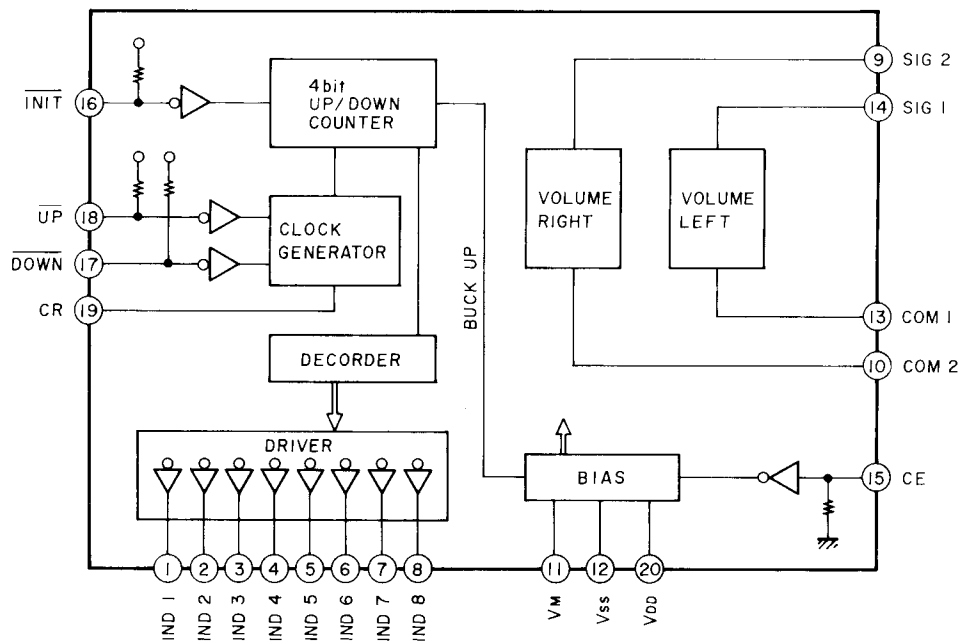
(Top View)

LC4049B

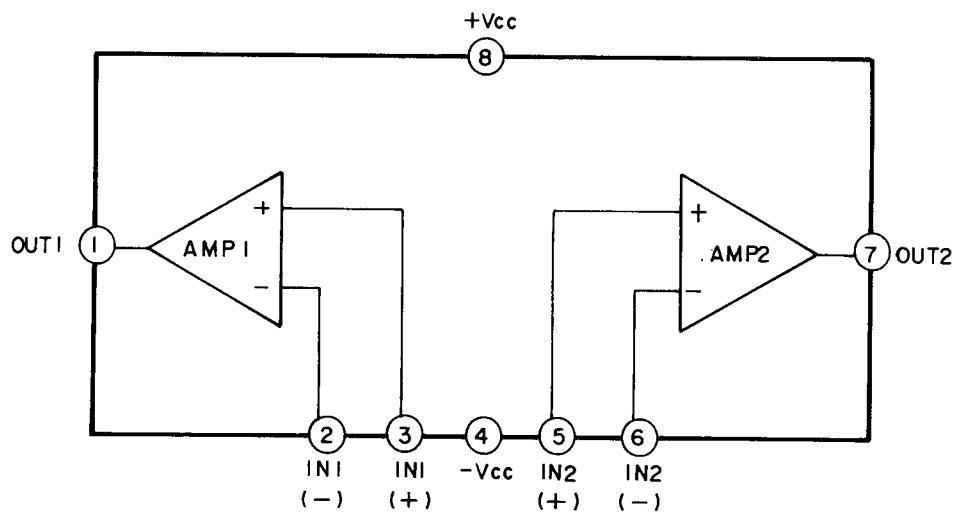


NC= Pin 13,16
VSS= Pin 8
VCC= Pin 1

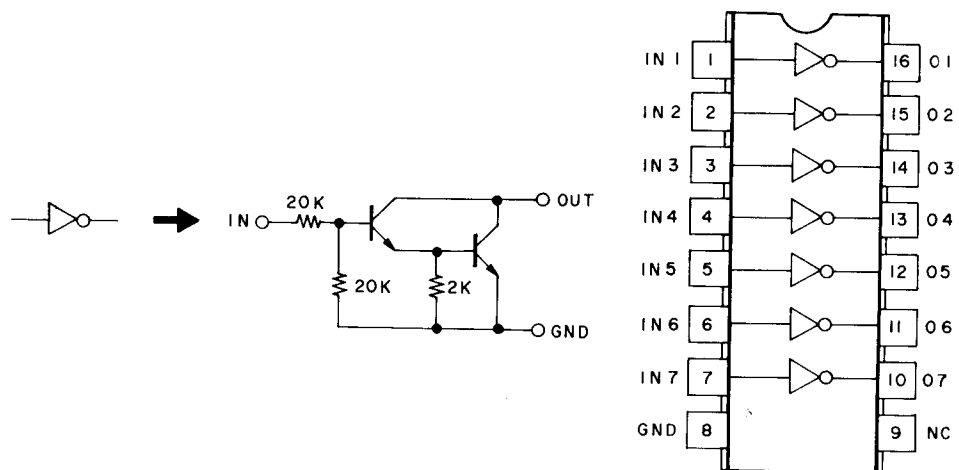
LC7530

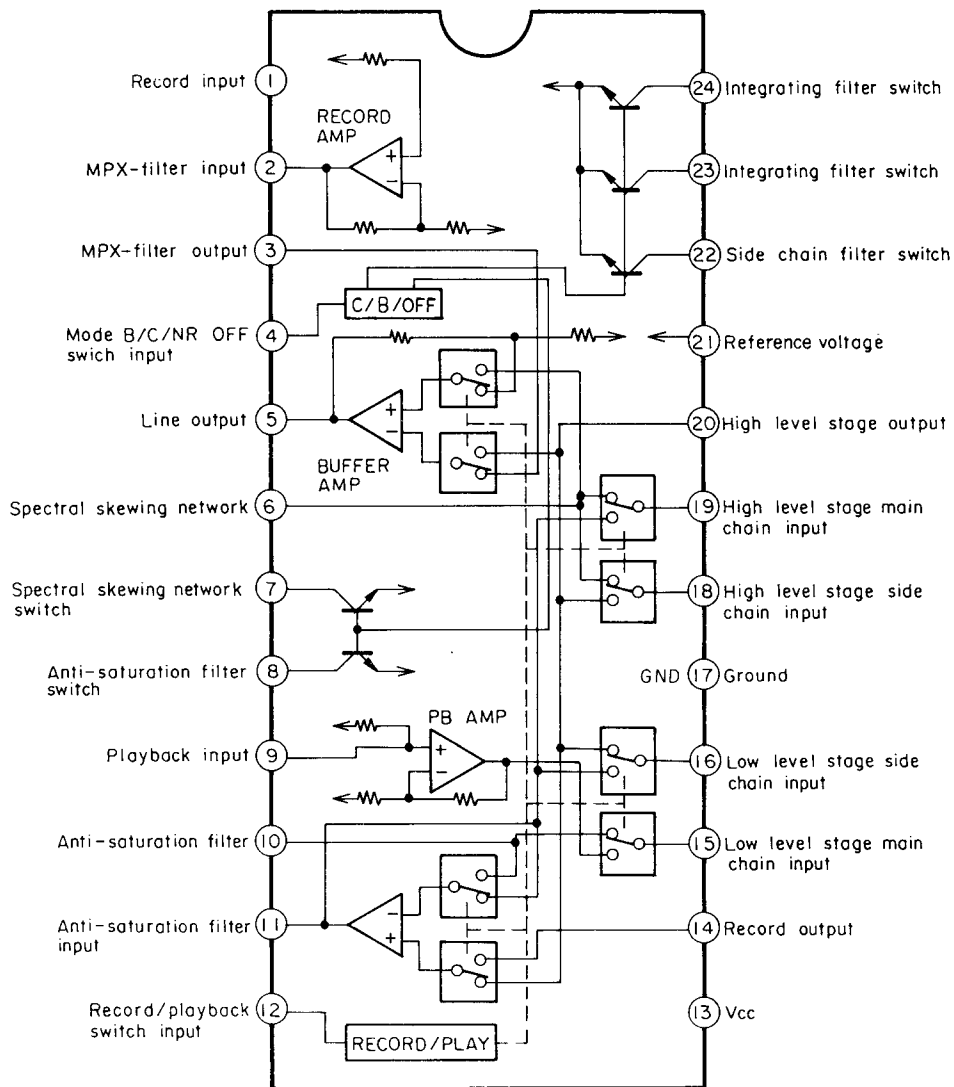
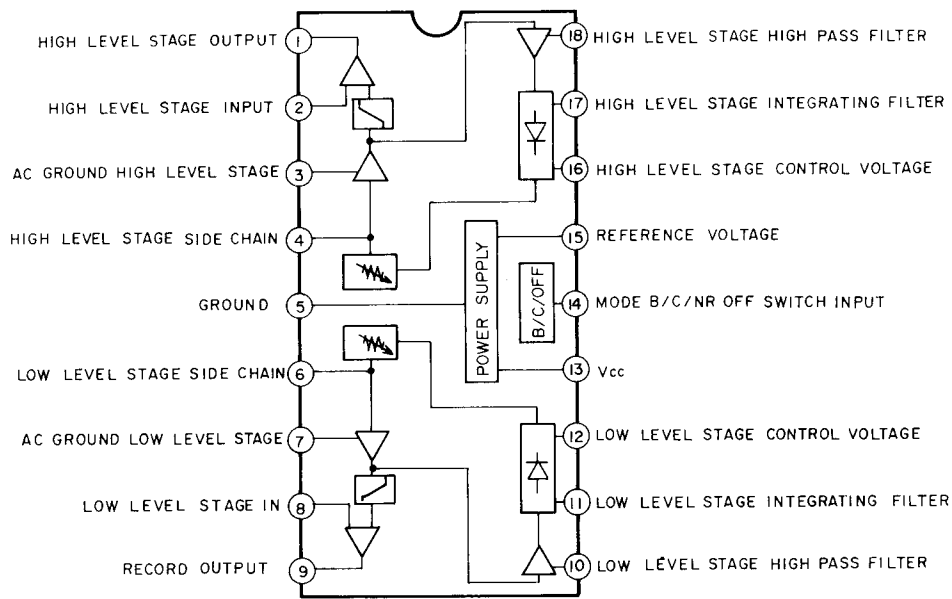


M5218L0



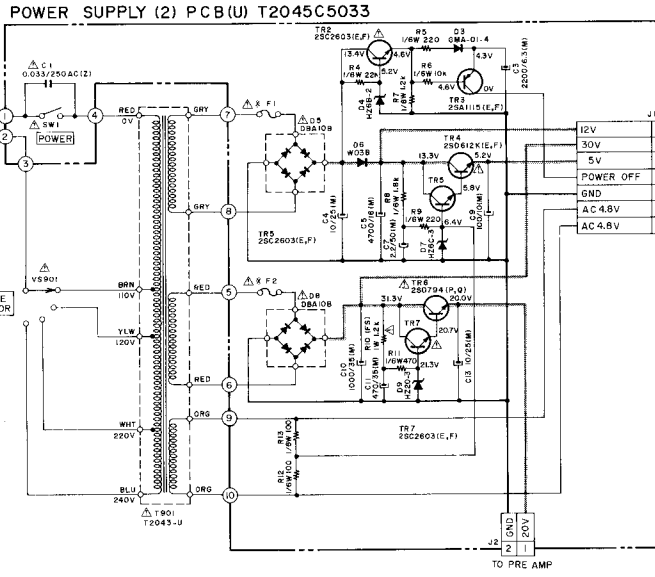
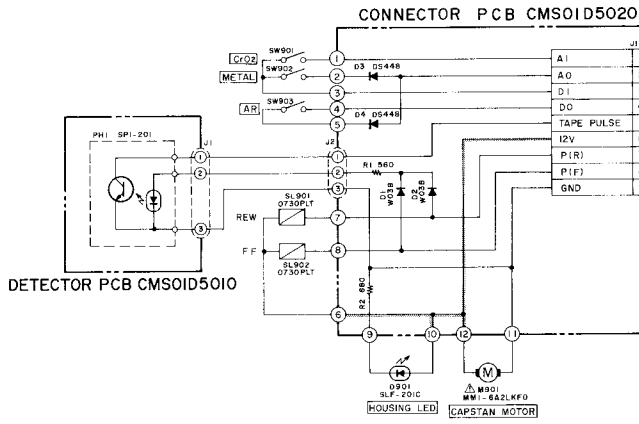
M54519P





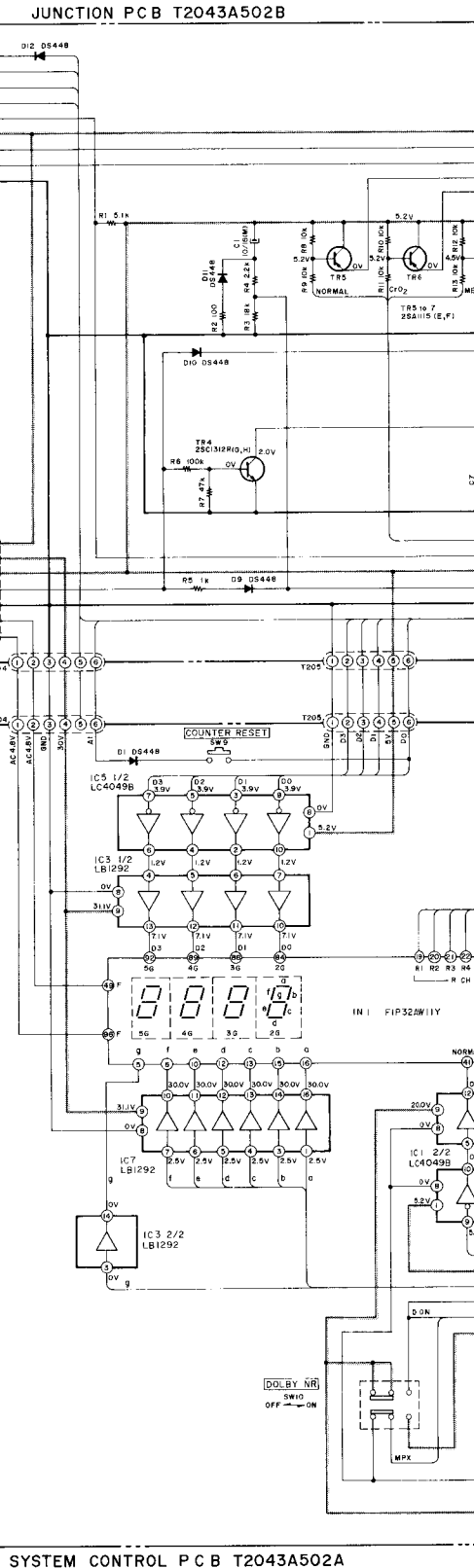
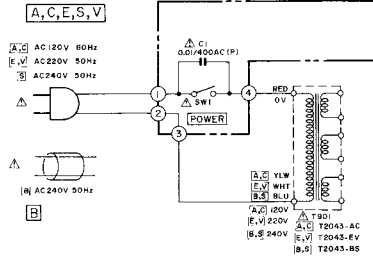
SCHMATIC DIAGRAM HX-2/HX-3

HX-2



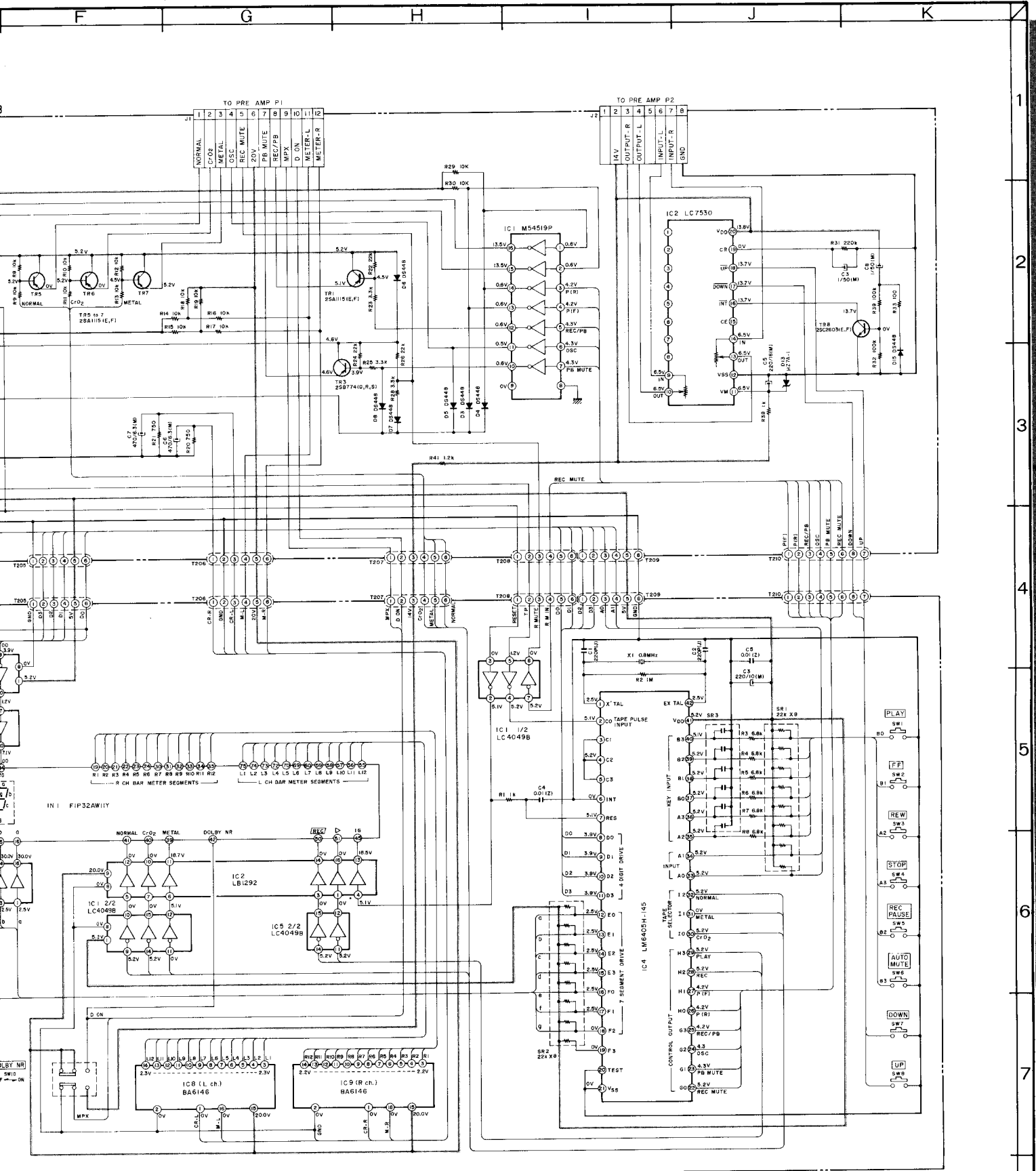
	U	C, A	E, V, B, S
F1	630mA 250V	630mA 125V	T580MA
F2	630mA 250V	630mA 125V	T500MA

POWER SUPPLY (3) PCB (E) T2045C5036 [E, V, B, S]
 POWER SUPPLY (2) PCB (C) T2045C5034 [C, A]

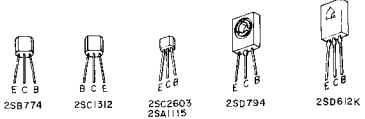


WARNING: Δ INDICATES SAFETY CRITICAL COMPONENTS. FOR CONTINUED SAFETY, REPLACE SAFETY CRITICAL COMPONENTS ONLY WITH MANUFACTURER'S RECOMMENDED PARTS.
 AVERTISSEMENT: Δ INDIQUE LES COMPOSANTS CRITIQUES EN SÉCURITÉ. REMPLACER SEULEMENT LES COMPOSANTS CRITIQUES DE SÉCURITÉ DE L'APPAREIL PAR LES PIÈCES RECOMMANDÉES PAR LE FABRICANT.

SYSTEM CONTROL PCB T2043A502A



3A502A



VOLTAGE AT STOP MODE
INDICATES: DOLBY ON
METAL
COUNTER 0000

NOTES
UNLESS OTHERWISE SPECIFIED
ALL RESISTORS IN OHMS (1/4W (J))
ALL CAPACITORS IN μF (50 WV (J))
(FS) - FAIL SAFE RESISTORS
POWER TRANSFORMER IS DIFFERENT
ACCORDING TO AREA

(CASSETTE DECK)
HX-2
POWER & SYSCON
SCHEMATIC DIAGRAM
NO.2-1 830707A

1
2
3
4
5
6
7
8

F G H I J K

HX-2

1

2

3

4

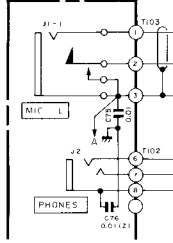
5

6

7

8

JACK PCB
T2043A501B (1/2)

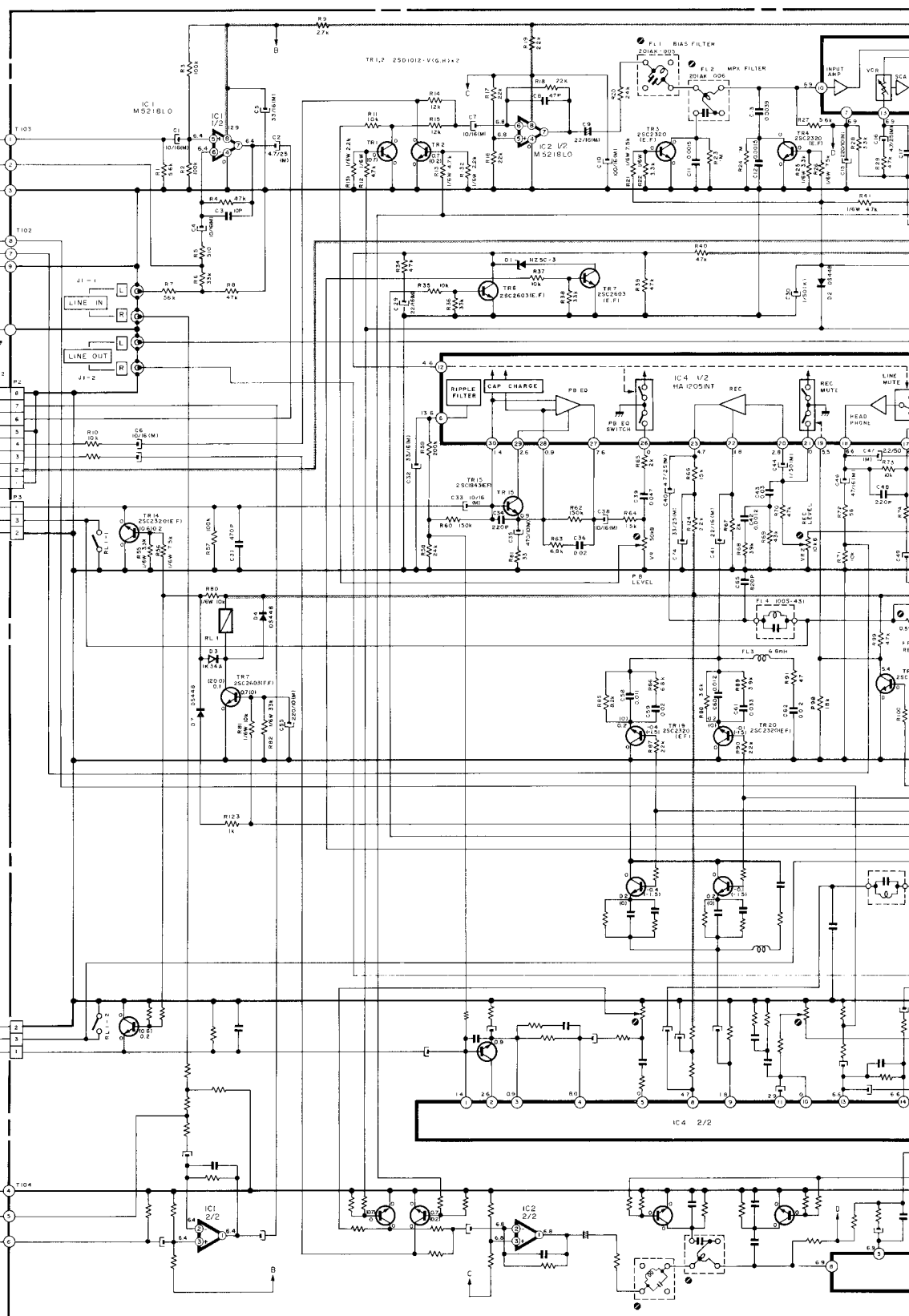
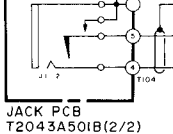


LEFT

RIGHT

H901-2
PB/REC
HEAD

JACK PCB
T2043A501B (2/2)



PRE

A

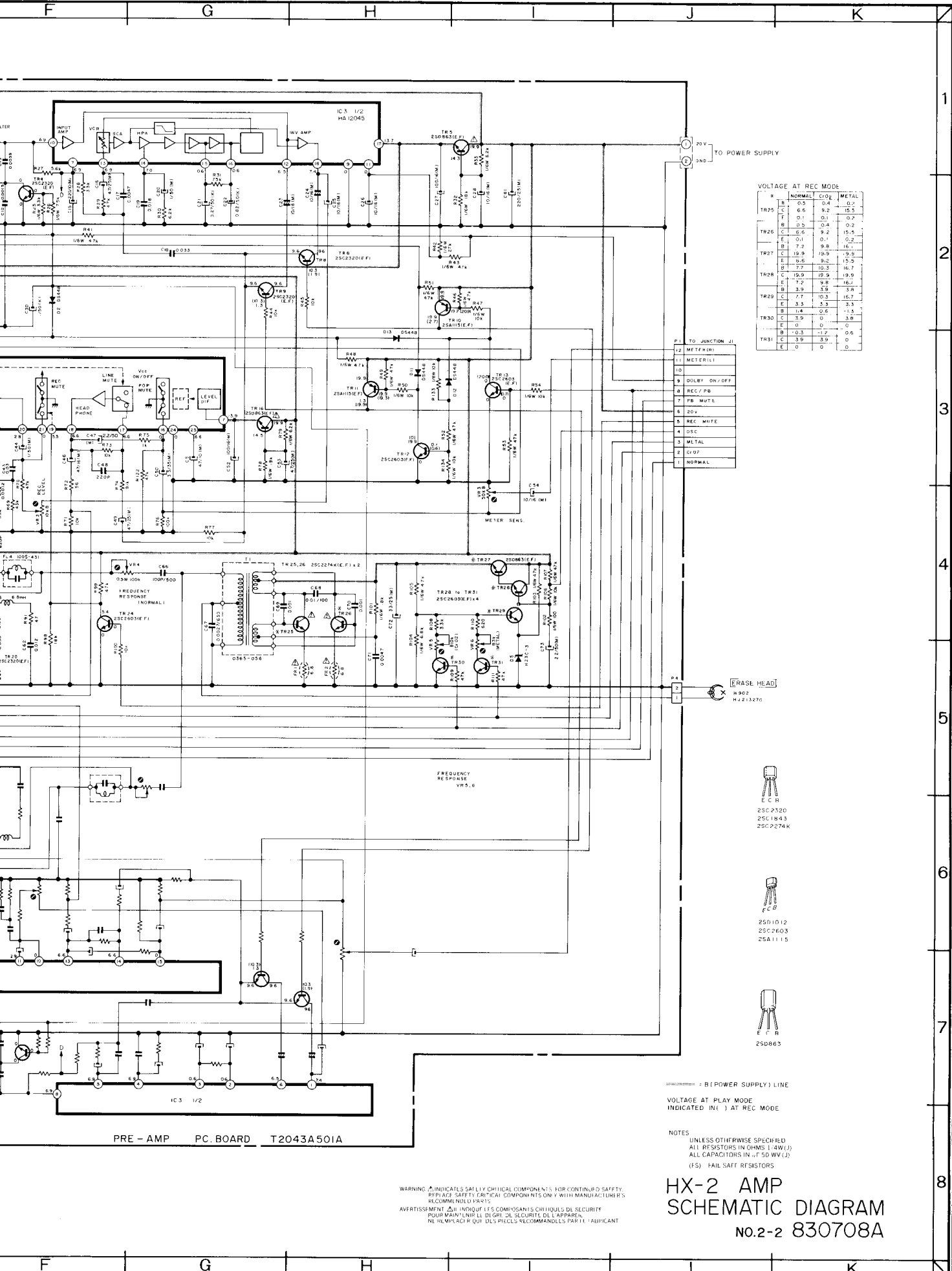
B

C

D

E

F



VOLTAGE AT REC MODE

X	B	NORMAL	C/D	METAL
TR25	B	0.5	0.4	0.2
	C	6.6	9.2	15.5
	F	0.1	0.1	0.2
TR26	B	0.5	0.4	0.2
	C	6.6	9.2	15.5
	F	0.1	0.1	0.2
TR27	B	7.2	9.8	16.7
	C	19.9	19.9	19.9
	E	6.6	9.2	15.5
TR28	B	7.2	10.3	16.7
	C	19.9	19.9	19.9
	E	7.2	9.8	16.7
TR29	B	1.4	0.6	1.1
	C	7.7	10.3	16.7
	E	3.3	5.3	3.3
TR30	B	3.9	0	3.8
	C	0	0	0
	E	0.3	1.2	0.6
TR31	B	3.9	3.9	0
	C	0	0	0
	E	0	0	0

- P1 TO JUNCTION J1
- 12 METER (H)
- 11 METER (L)
- 10
- 9 DOLBY ON/OFF
- 8 REC / PB
- 7 PB MUTE
- 6 20V
- 5 REC MUTE
- 4 DSC
- 3 METAL
- 2 C/D
- 1 NORMAL

2SC2520
2SC1843
2SC274K

25B1012
2SC2603
25A1115

25D863

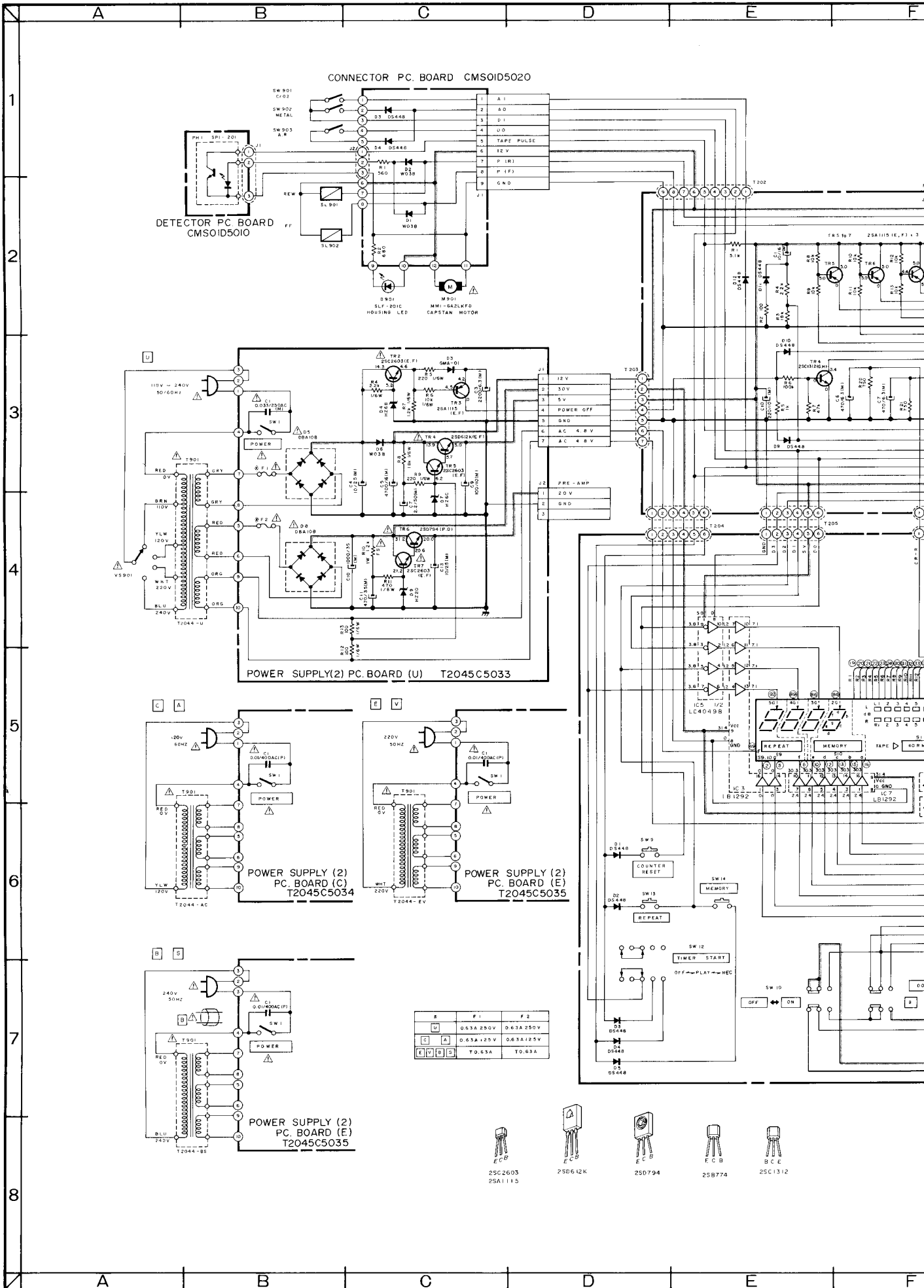
UNINDICATED - B (POWER SUPPLY) LINE
VOLTAGE AT PLAY MODE
INDICATED IN () AT REC MODE

NOTES
UNLESS OTHERWISE SPECIFIED
ALL RESISTORS IN OHMS (1.4W (1))
ALL CAPACITORS IN μF (50 WV (1))
(FS) FAIL SAFE RESISTORS

HX-2 AMP SCHEMATIC DIAGRAM NO.2-2 830708A

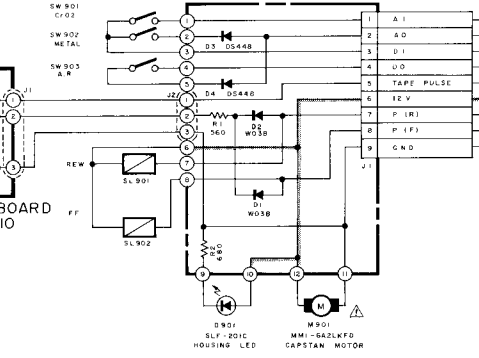
WARNING: INDICATES SAFETY CRITICAL COMPONENTS. FOR CONTINUED SAFETY, REPLACE SAFETY CRITICAL COMPONENTS ONLY WITH MANUFACTURER'S RECOMMENDED PARTS.
AVERTISSEMENT: LES INDICATEURS SONT DES COMPOSANTS CRITIQUES DE LA SECURITE. POUR MAINTENIR LE NIVEAU DE SECURITE DE L'APPAREIL, REMPLACEZ SEULEMENT LES COMPOSANTS RECOMMANDES PAR LE FABRICANT.

PRE-AMP PC BOARD T2043A501A



CONNECTOR PC. BOARD CMS01D5020

DETECTOR PC. BOARD CMS01D5010



POWER SUPPLY(2) PC. BOARD (U) T2045C5033

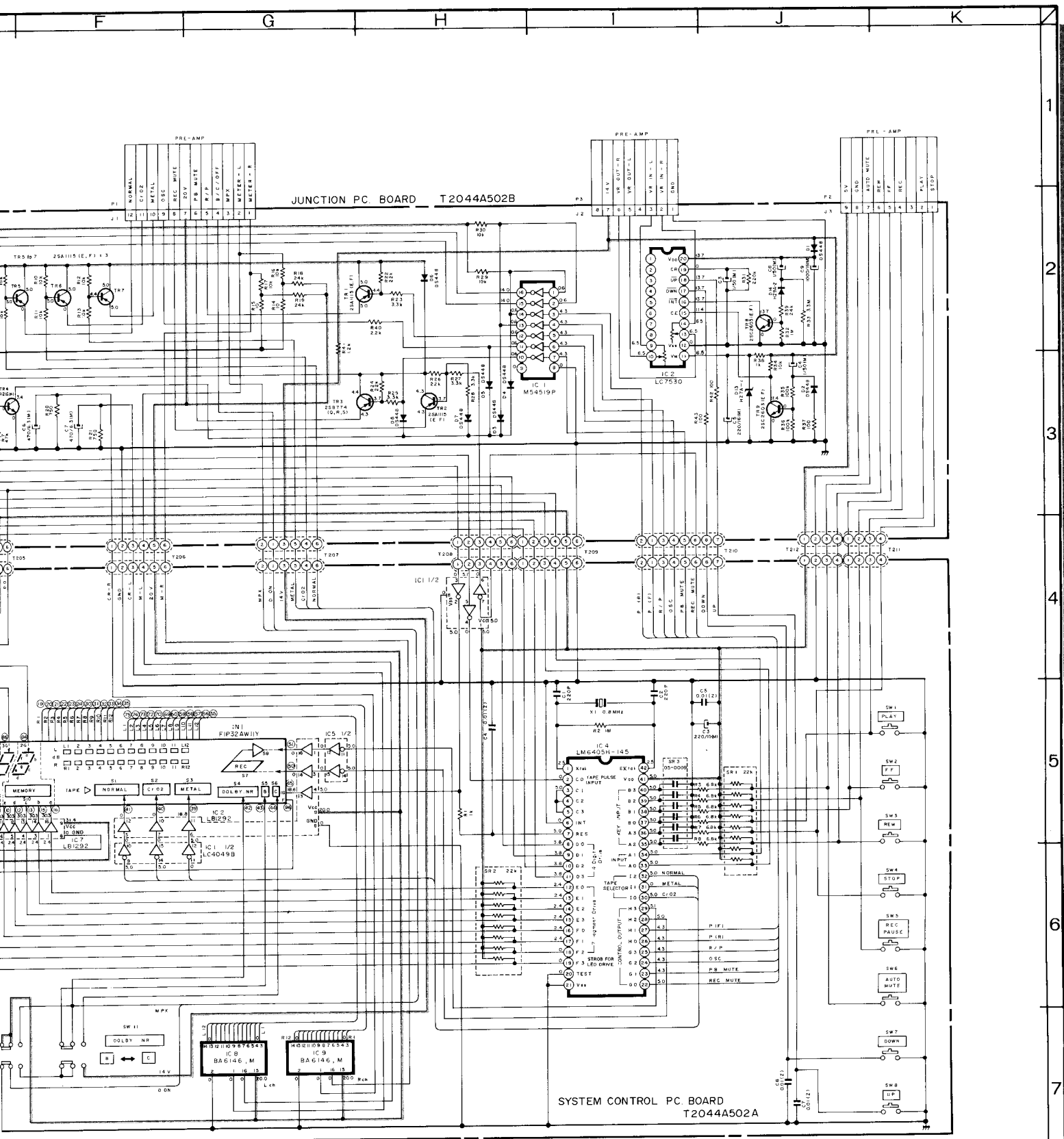
POWER SUPPLY (2) PC. BOARD (C) T2045C5034

POWER SUPPLY (2) PC. BOARD (E) T2045C5035

POWER SUPPLY (2) PC. BOARD (E) T2045C5035

	R	F.1	F.2
U	0.53A 250V	0.63A 250V	
C A	0.63A ±25V	0.63A ±25V	
E V B D	T0.63A	T0.63A	

- 25C2603 25A1111D
- 25D612K
- 25D794
- 25B774
- 25C1312



--- B (POWER SUPPLY) LINE

VOLTAGES AT STOP MODE

WARNING: INDICATES SAFETY CRITICAL COMPONENTS FOR CONTINUOUS SAFETY. REPLACE SAFETY CRITICAL COMPONENTS ONLY WITH MANUFACTURER'S RECOMMENDED PARTS.
 AVERTISSEMENT: IL INDIQUE LES COMPOSANTS CRITIQUES DE SECURITE POUR MAINTENIR LE DEGRE DE SECURITE DE L'APPAREIL. NE REMPLACEZ QUE LES PIECES RECOMMANDEES PAR LE FABRICANT.

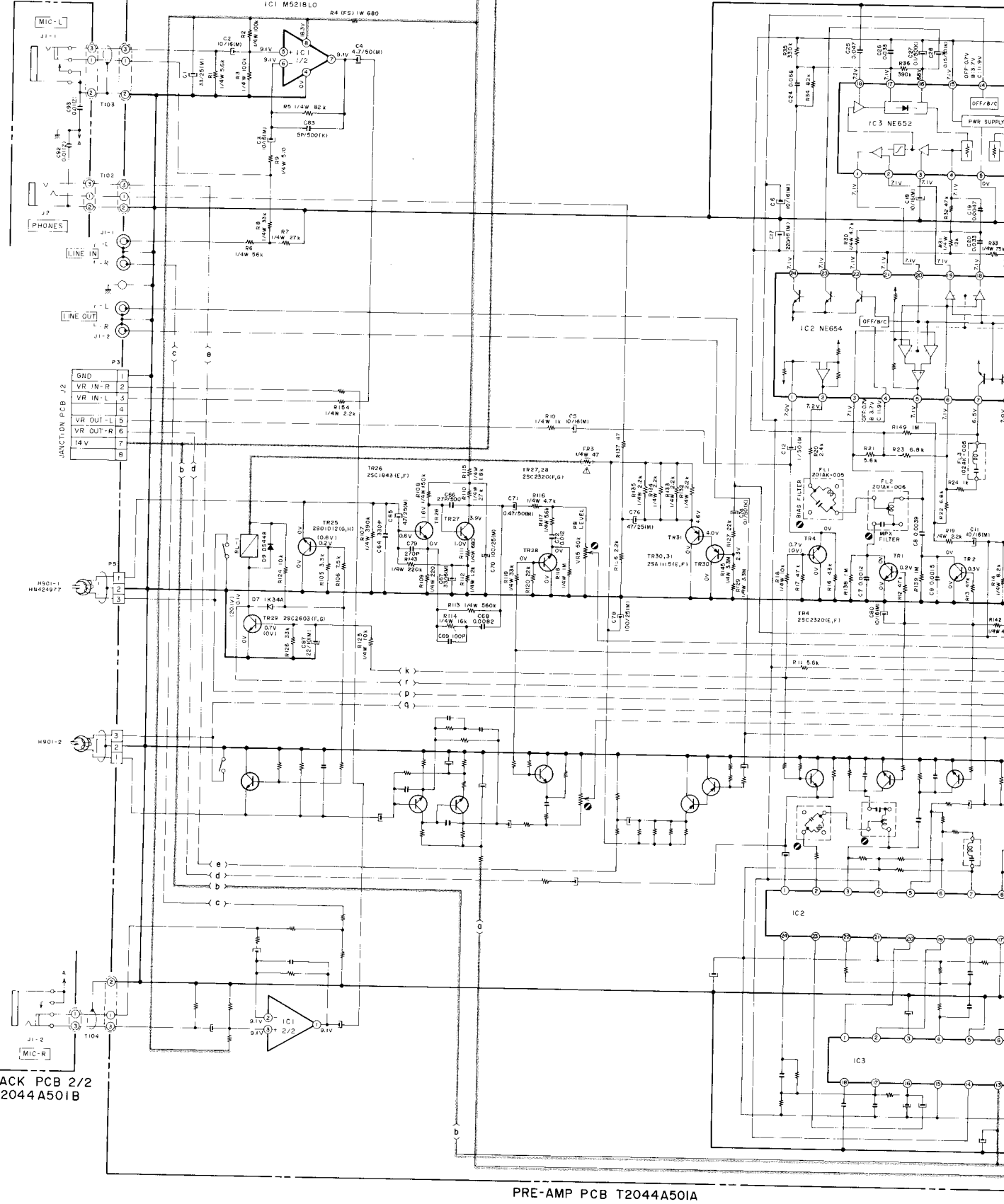
NOTE: UNLESS OTHERWISE SPECIFIED:
 ALL RESISTORS IN OHMS UNLESS OTHERWISE SPECIFIED.
 ALL CAPACITORS IN P.F. 50 WVDC UNLESS OTHERWISE SPECIFIED.
 ALL SAFETY RESISTORS
 POWER TRANSFORMER IS DIFFERENT ACCORDING TO AREA

(CASSETTE DECK)
 HX-3
 POWER & SYSCON
 SCHEMATIC DIAGRAM
 No.2-1 830709A

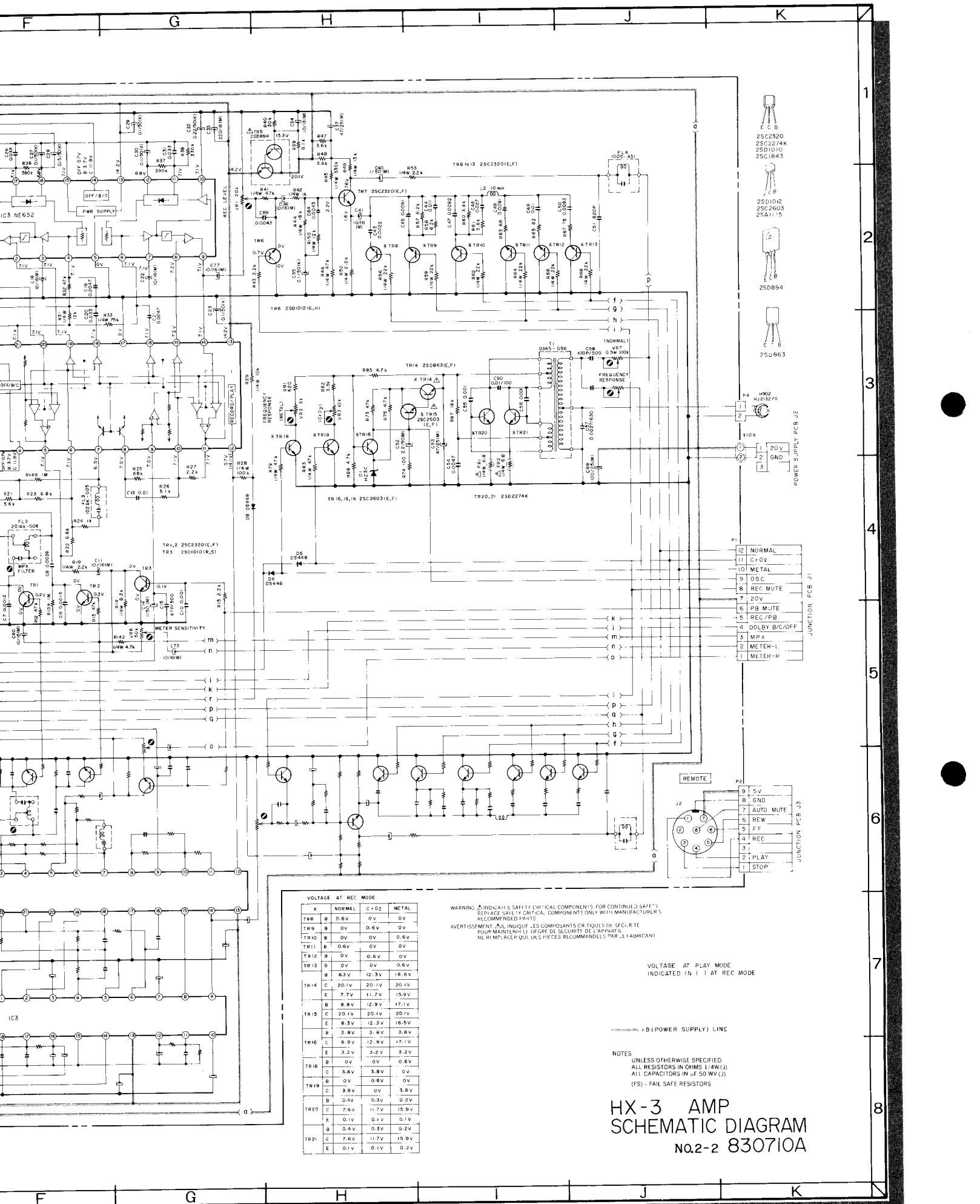
1
2
3
4
5
6
7
8

HX-3

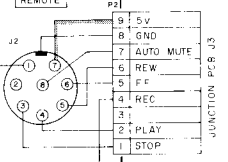
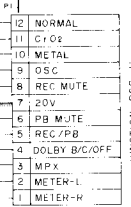
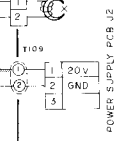
JACK PCB 1/2
T2044A501B



PRE-AMP PCB T2044A501A



- 25C2320
- 25C2274K
- 25D1010
- 25C1843
- 25D1042
- 25C2603
- 25A1115
- 25D894
- 25D863



VOLTAGE AT REC MODE

X	NORMAL	C1 O2	METAL
TR8	B 0.6V	0V	0V
TR9	B 0V	0.6V	0V
TR10	B 0V	0V	0.6V
TR11	B 0.6V	0V	0V
TR12	B 0V	0V	0V
TR13	B 0V	0V	0.6V
TR14	B 8.3V	12.3V	16.5V
	E 7.7V	11.7V	15.9V
	F 8.8V	12.9V	17.1V
TR15	C 20.1V	20.1V	20.1V
	E 8.3V	12.3V	16.5V
	F 9.3V	13.3V	17.5V
TR16	C 6.8V	12.9V	17.1V
	E 3.2V	5.2V	3.2V
TR18	B 0V	0V	0V
	C 3.8V	3.8V	0V
	D 0V	0.6V	0V
TR19	B 3.8V	0V	3.8V
	D 0.4V	0.2V	0.2V
TR20	C 7.6V	11.7V	15.9V
	E 0.1V	0.1V	0.1V
	B 0.4V	0.3V	0.2V
TR21	C 7.6V	11.7V	15.9V
	E 0.1V	0.1V	0.2V

WARNING: INDICATES SAFETY CRITICAL COMPONENTS FOR CONTINUOUS SAFETY. REPLACE SAFETY CRITICAL COMPONENTS ONLY WITH MANUFACTURER'S RECOMMENDED PARTS.
 AVERTISSEMENT: AIL INDIQUE LES COMPOSANTS CRITIQUELS DE SECURITE. POUR MANTENIR LE NIVEAU DE SECURITE DE L'APPAREIL, NE REMPLACEZ QUE LES PIECES RECOMMANDEES PAR LE FABRICANT.

VOLTAGE AT PLAY MODE INDICATED IN () AT REC MODE

⊕ (POWER SUPPLY) LINE

NOTES
 UNLESS OTHERWISE SPECIFIED
 ALL RESISTORS IN OHMS 1/4W(J)
 ALL CAPACITORS IN μF 50 WV(J)
 (FS) - FAIL SAFE RESISTORS

HX-3 AMP SCHEMATIC DIAGRAM

No.2-2 830710A