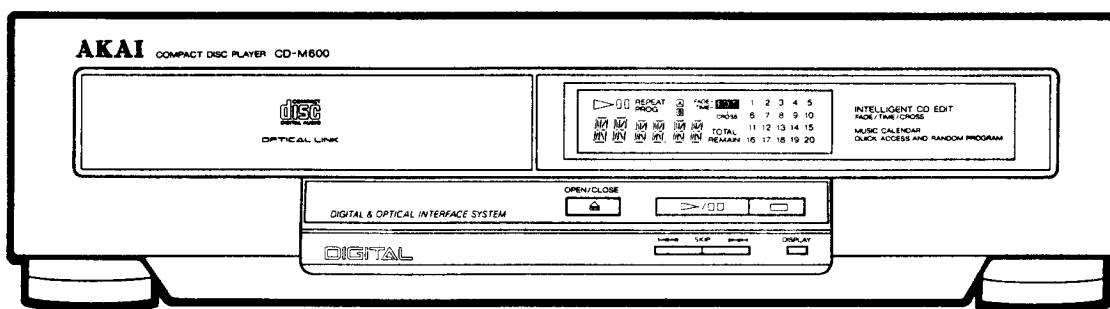


# AKAI SERVICE MANUAL



**COMPACT**  
**disc**  
**DIGITAL AUDIO**

For Service Manuals Contact  
MAURITRON TECHNICAL SERVICES  
8 Cherry Tree Rd, Chinnor  
Oxon OX9 4QY  
Tel:- 01844-351694 Fax:- 01844-352554  
Email:- enquires@maurtron.co.uk

COMPACT DISC PLAYER

MODEL **CD-M600**

## SPECIFICATIONS

Pick up .....	3 beam laser pick up
Error correction system .....	Cross interleave reed solomon
Number of channels .....	2 channel stereo
Wow & flutter .....	Less than measurable limits
Optical output level .....	- 22 dBm / 660 nm
Power requirements .....	Supplied from amplifier (model AM-M600 / AM-M800)
Dimensions .....	360 (W) × 95 (H) × 295 (D) mm
Weight .....	3.5 kg

### Standard accessories

Optical cable ..... ×1

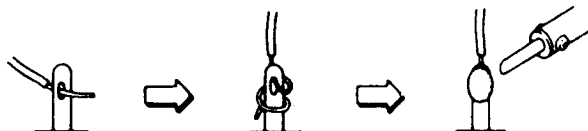
\* For improvement purposes, specifications and design are subject to change without notice.

# ★ SAFETY INSTRUCTIONS

---

## PRECAUTIONS DURING SERVICING

1. Parts identified by the ⚠ (\*) symbol are critical for safety. Replace only with parts number specified.
2. In addition to safety, other parts and assemblies are specified for conformance with such regulations as those applying to spurious radiation.  
These must also be replaced only with specified replacements.  
Examples: RF converters, tuner units, antenna selector switches, RF cables, noise blocking capacitors, noise blocking filters, etc.
3. Use specified internal wiring. Note especially:
  - 1) Wires covered with PVC tubing
  - 2) Double insulated wires
  - 3) High voltage leads
4. Use specified insulating materials for hazardous live parts. Note especially:
  - 1) Insulation Tape
  - 2) PVC tubing
  - 3) Spacers (Insulating Barriers)
  - 4) Insulation sheets for transistors
  - 5) Plastic screws for fixing microswitch (especially in turntable)
5. When replacing AC primary side components (transformers, power cords, noise blocking capacitors, etc.), wrap ends of wires securely about the terminals before soldering.
7. Check that replaced wires do not contact sharp edged or pointed parts.
8. Also check areas surrounding repaired locations.
9. Use care that foreign objects (screws, solder droplets, etc.) do not remain inside the set.



6. Observe that wires do not contact heat producing parts (heatsinks, oxide metal film resistors, fusible resistors, etc.).

# ★ INFORMATION

## PRECAUTIONS BEFORE/AFTER REPAIRING THE UNIT

### [ ABOUT THE POWER SUPPLY ]

Power supply and power control data for the CD-M600 are supplied from the amplifier and tuner. Therefore when repair of the CD-M600 is necessary, repair should be made together with the amplifier and tuner.

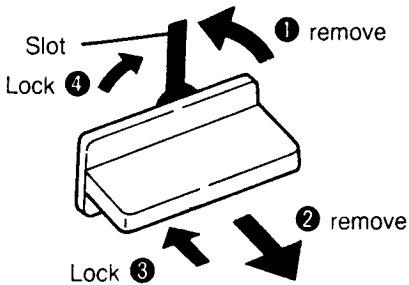
To repair the CD-M600 without the tuner, use the following procedure, it can be repaired together with the amplifier only.

- 1) While pushing G.E REC button on the amplifier, press the POWER button on the amplifier to turn the power of the amplifier on.
- 2) While pushing the DISPLAY and ►► buttons simultaneously on the CD-M600, connect the flat connection cable from the CD-M600 to the amplifier to turn the power of the CD-M600 on.

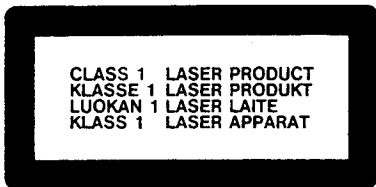
To turn off the power of the amplifier and CD-M600, the AC power cord must be disconnected.

### [ ABOUT THE TRANSPORT LOCKING PLUG ]

This CD player has transport locking plugs located on the bottom panel. These plugs are locks the laser pick up mechanism to prevent vibration during transportation. Before playback, make sure to remove the locking plugs. Before transporting the unit, make sure to remove the compact disc, and insert the transport locking plugs to lock the laser pick up mechanism.



### [ EUROPE, SCANDINAVIA, UK and AUSTRALIA ]



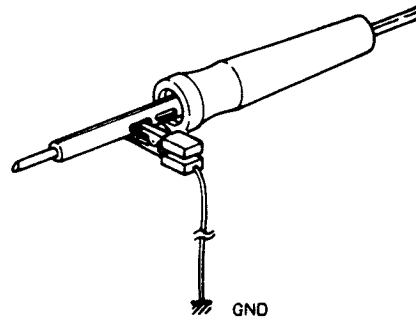
Label affixed on the rear panel of the unit

### [ PRECAUTIONS IN REPAIRING ]

When repairing or adjusting the unit, please note the following points.

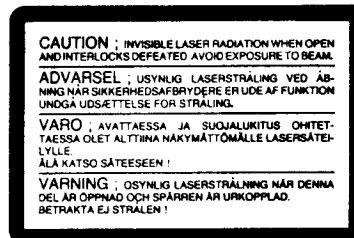
1. Do not put excessive pressure on the mechanical parts (operation parts), including the pick up block, as extremely high mechanical precision is required in these parts.
2. When the base is removed for repair or adjustment, make sure that there are no metal objects in the narrow gap between the P.C boards or the mecha. parts and the base.
3. The micro-computer and the CD signal processing ICs can be damaged by static electricity or leakage from a soldering iron during repair.

While soldering, use a low leaked (anti static) type soldering iron or take precautions against leakage as in the illustration below.



4. Do not loosen any screws in the pick up block. When handling the pick up block, please refer NOTE or CAUTION accompanying the explanation of procedure.
5. For your own safety, avoid hazardous invisible laser radiation. Do not look at the laser beam (objective lens) directly.
6. On models for some countries, laser warning labels are affixed on the outside and inside the unit as shown below.

For your own safety, read these labels carefully when repairing or adjusting the unit.

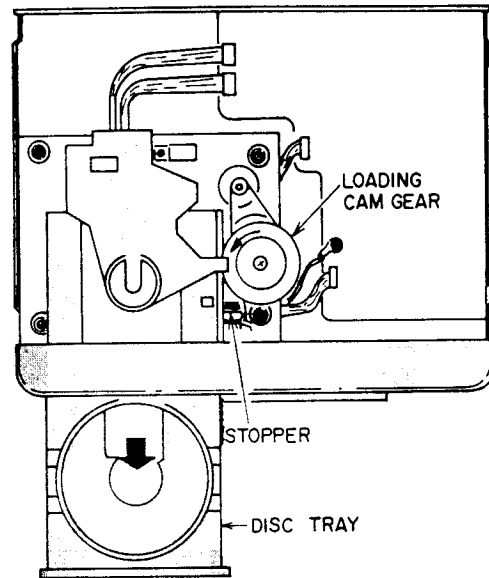


Label affixed on the disc clamber inside the unit

# I. DISASSEMBLY

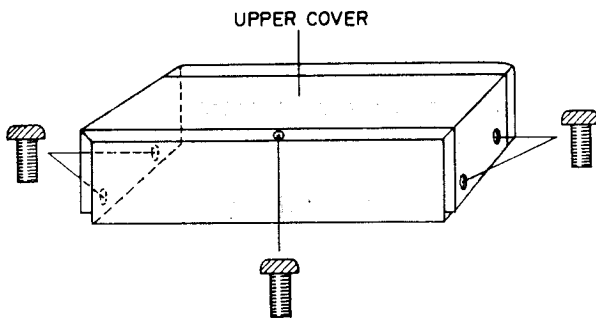
In case of trouble, etc., necessitating dismantling, please dismantle in the order shown in the illustrations. Reassemble in reverse order.

## 2. Removal of the DISC TRAY



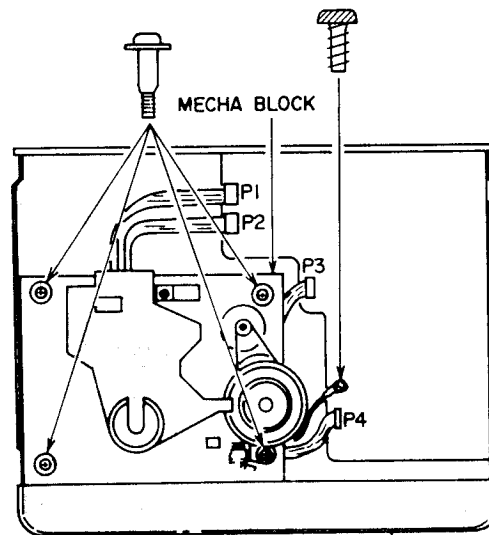
- 1) Set the DISC TRAY to EJECT position by turning the LOADING CAM GEAR counter-clockwise, then pull out the DISC TRAY while pushing the DISC TRAY STOPPER down.

## 1. Removal of the UPPER COVER



For Service Manuals Contact  
**MAURITRON TECHNICAL SERVICES**  
8 Cherry Tree Rd, Chinnor  
Oxon OX9 4QY  
Tel:- 01844-351694 Fax:- 01844-352554  
Email:- enquiries@mauritron.co.uk

## 4. Removal of the MECHA BLOCK



### [ NOTE ]

Before disconnecting the connectors P1 and P2 to remove the MECHA. BLK, make sure that the P.C board on the PICK UP BLOCK has been short circuited (refer to 3-2. REPLACEMENT OF THE PICK UP BLOCK).

## II. PRINCIPAL PARTS LOCATION

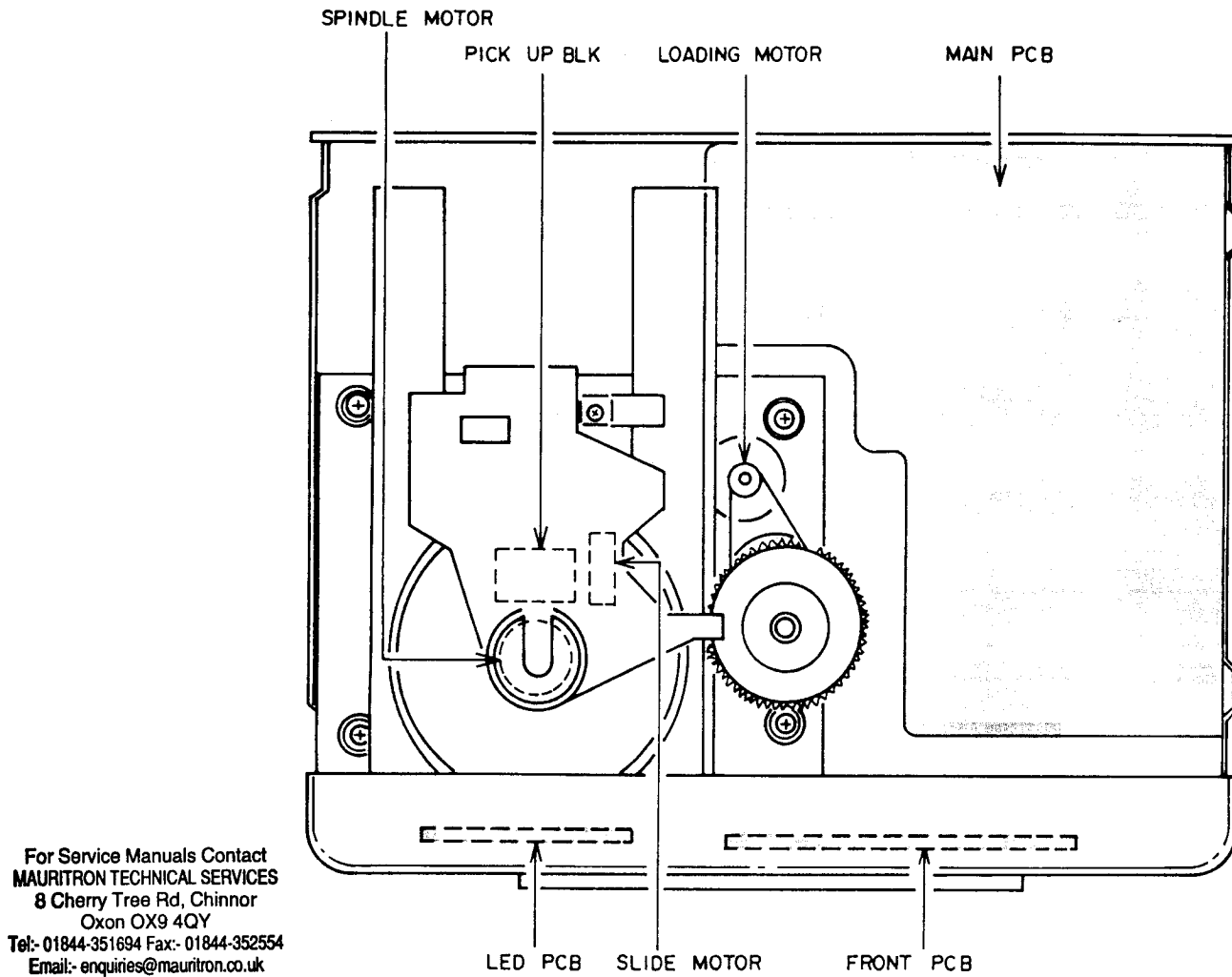


Fig. 2-1 Top view

## III. REPLACEMENT OF THE PICK UP BLOCK AND MOTORS

NOTE: For your own safety, avoid hazardous invisible laser radiation. Make sure that the power switch is OFF when removing the DISC CLAMPER.

### 3-1. REMOVAL OF THE DISC CLAMPER

- 1) Remove the DISC CLAMPER by pulling it up and moving it to left.

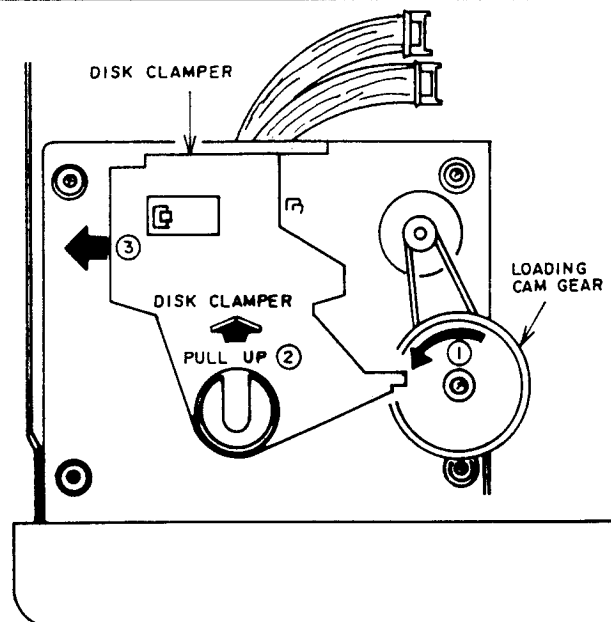


Fig. 3-1

### 3-2. REPLACEMENT OF THE PICK UP BLOCK

#### [ PRECAUTION BEFORE REMOVING THE PICK UP BLOCK ]

When disconnecting or connecting the connectors P1 and P2, make sure that the P.C board (on the PICK UP BLOCK) has been short circuited as shown in Fig. 3-2.

Do not turn the electricity "ON" while the P.C board is short circuited.

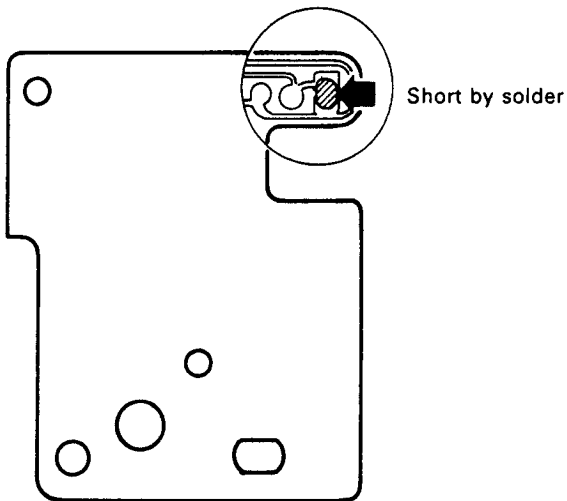


Fig. 3-2

- 1) Disconnect the connectors P1 and P2 on the PICK UP BLOCK.
- 2) Push the ② part of the pick up block SLIDE SHAFT and pull it in the arrowed direction to remove the PICK UP BLOCK.
- 3) Reassemble in reverse order.

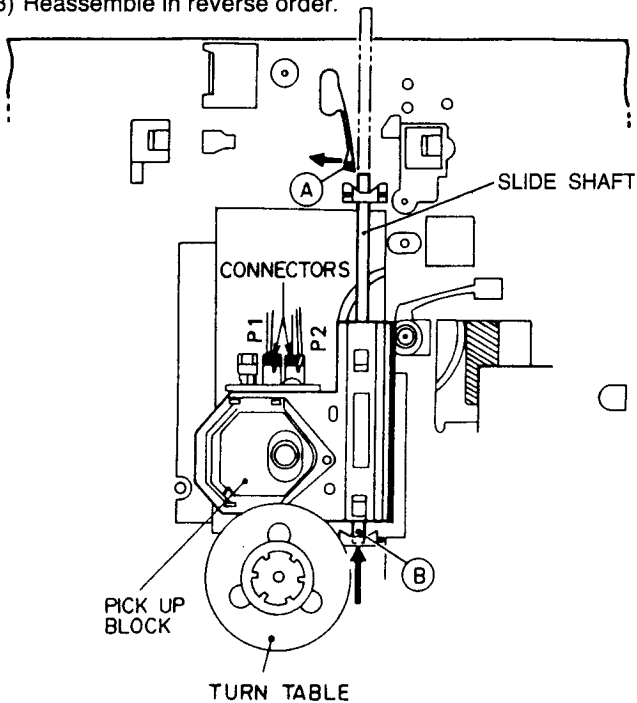


Fig. 3-3

### 3-3. REPLACEMENT OF THE SPINDLE MOTOR

- 1) Turn the ① GEAR HOLDER LEVER counter-clockwise (Fig. 3-4), then pull out the SLIDE GEAR.
- 2) Keep the PICK UP BLOCK away from the SPINDLE MOTOR (↑ direction as shown in Fig. 3-5).
- 3) Remove the two SPINDLE MOTOR fixation screws through the hole on the TURN TABLE (Fig. 3-5), then remove the SPINDLE MOTOR.
- 4) Reassemble in reverse order.

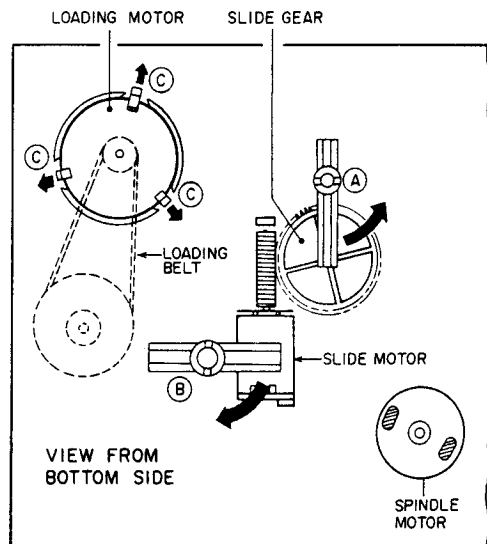


Fig. 3-4

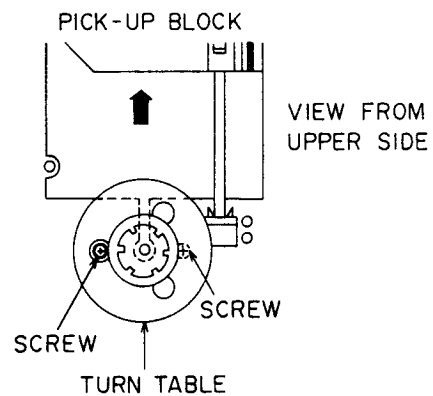


Fig. 3-5

### 3-4. REPLACEMENT OF THE LOADING MOTOR

- 1) Remove the LOADING BELT, then remove the LOADING MOTOR while releasing the ③ hooks (Fig. 3-4).
- 2) To reassemble, push in the LOADING MOTOR and replace the LOADING BELT.

### 3-5. REPLACEMENT OF THE SLIDE MOTOR

- 1) Turn the ② SLIDE MOTOR HOLD LEVER (Fig. 3-4) clockwise, then pull out the SLIDE MOTOR.
- 2) Reassemble in reverse order.

## IV. ELECTRICAL ADJUSTMENT

### [ABOUT THE TEST MODE]

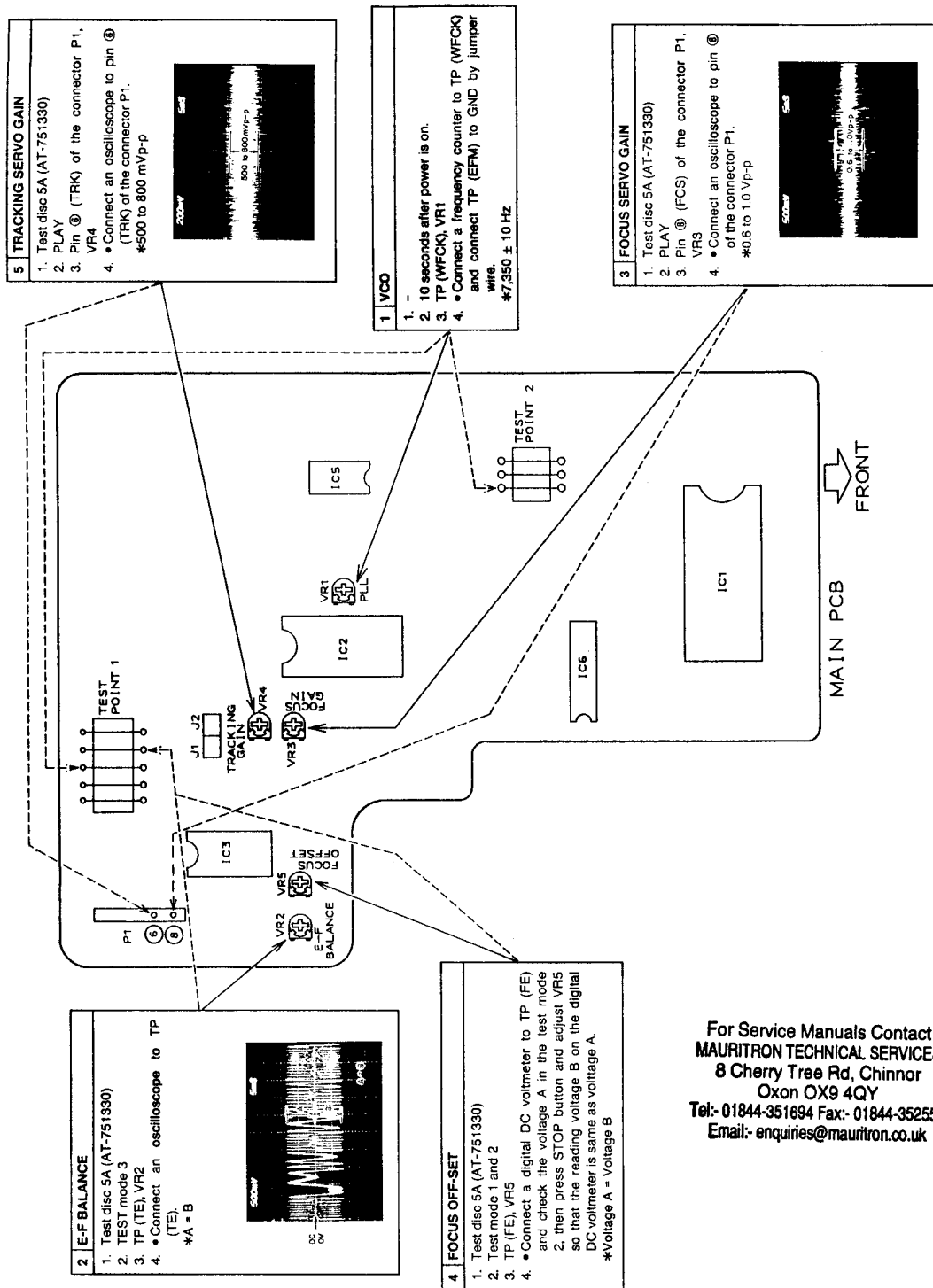
- 1) This test mode is used for adjustment or checking.
- 2) How to engage the TEST mode.  
While pushing the **←** and **→** buttons simultaneously, on the front panel, connect the flat connection cable to the amplifier.
- 3) Push the **⏪** button to advance the TEST mode number. When the TEST mode number is initialized, push the **□** button.
- 4) Disconnect the flat connection cable from the amplifier to exit from the TEST mode.

STEP	ADJUSTMENT ITEM
1.	Test disc
2.	Mode or TEST mode number
3.	Test point and ADJ. part
4.	Remarks *Result

Test Point      Adjustment Part

### TEST mode number and functions

TEST mode number	Functions
1	<ul style="list-style-type: none"> <li>• Indicates that unit is engaged in the TEST mode.</li> </ul>
12	<ul style="list-style-type: none"> <li>• Indicates the end of FOCUS SEARCH.</li> </ul>
123	<ul style="list-style-type: none"> <li>• Engaged in the CLV-S mode. Tracking servo gain is set to the same setting as "JUMP" mode.</li> </ul>
1234	<ul style="list-style-type: none"> <li>• Tracking servo is on.</li> </ul>
12345	<ul style="list-style-type: none"> <li>• Unit is engaged in the normal play mode without anti shock function.</li> </ul>
123456	<ul style="list-style-type: none"> <li>• Unit is engaged in the normal play mode.</li> </ul>
1234567	<ul style="list-style-type: none"> <li>• Tray is open</li> </ul>
12345678	<ul style="list-style-type: none"> <li>• Tray is close</li> </ul>



For Service Manuals Contact  
**MAURITRON TECHNICAL SERVICES**  
 8 Cherry Tree Rd, Chinnor  
 Oxon OX9 4QY  
 Tel: 01844-351694 Fax: 01844-352554  
 Email: enquiries@mauritron.co.uk

## V. PARTS LIST

### ATTENTION

- When placing an order for parts, be sure to list Part No., Model No. and the description of each part. Otherwise, the non-delivery of the part or the delivery of a wrong part may result.
- Please make sure that Part No. is correct when ordering.
- Since the parts shown in Parts List of Preliminary Service Manual may have been the subject of changes, please use this Parts List for all future reference.

### HOW TO USE THIS PARTS LIST

- This Parts List lists those parts which are considered necessary for repairs. Other common parts, such as resistors and capacitors, are listed in the "Common List for Service Parts" from which these parts should be selected and stocked.
- The Recommended Spare Parts List shows those parts in the Parts List which are considered particularly important for service.
- Parts not shown in the Parts List and "Common List for Service Parts" will not in principle be supplied.
- How to read the Parts List.

a) Mechanism Block

### 2. HEAD BASE BLOCK

Ref.No.	Part No.	Description
1	BH-T2023A320A	HEAD BASE BLOCK
2	HP-H2206A010A	HEAD R/P PRA-RFLU C
3	ZS-477876	PAN20X08STL CMT
4	ZS-556486	B020X08STL CMT
5	ZS-402895	SP CS ANGLE ADJUST

SP (Service Parts) Classification

This number corresponds with the individual parts index number in that figure.

Symbols for primary destination

- [A] : AAL (USA) [S] : SAA (Australia)
- [B] : BEAB (England) [U] : U/T (Universa. Area)
- [C] : CSA (Canada)
- [E] : CEE (Europe) [V] : VDE (W. Germany)
- [J] : JPN (Japan) [Y] : Custom Version

SP (Service Parts) Classification

These reference symbols correspond with component symbols in the Schematic Diagrams.

- The available PC Board Blocks are listed separately.
- When Part No. is known, Parts Index at end of Parts List can be used to locate where that part is shown in Parts List by its Reference No. listed at right of Part No.

### WARNING

⚠ (\*) INDICATES SAFETY CRITICAL COMPONENTS. FOR CONTINUED SAFETY, REPLACE SAFETY CRITICAL COMPONENTS ONLY WITH MANUFACTURE'S RECOMMENDED PARTS.

### AVERTISSEMENT

⚠ (\*) IL INDIQUE LES COMPOSANTS CRITIQUES DE SÉCURITÉ. POUR MAINTENIR LE DEGRÉ DE SÉCURITÉ DE L'APPAREIL, NE REMPLACER QUE DES PIÈCES RECOMMANDÉES PAR LE FABRICANT.

## 1. RECOMMENDED SPARE PARTS

We suggest you to stock the following Recommended Spare Part items listed below since they can cover most of the routine service.

Ref.No.	Part No.	Description
1	BM-B32841	SC MOTOR LOADING PART
2	BM-B371552	SC MOTOR SLIDE PART
3	BM-B372237	SC MOTOR SPINDLE PART
4	*BO-394728J	PICK UP KSS-210A
5	ED-394416J	D LED SLV-31V73F RED
6	ED-307572	D SILICON H.1SS131
7	*ED-3898J0J	D SILICON 1SR139-100HS-F10
8	ED-387071J	D ZENER H.ZS683 T26
9	ED-387783J	D ZENER H.ZS634 F05
10	ED-387820J	D ZENER H.ZS942L F05
11	EL-389284J	IC BA6209N
12	EL-390112J	IC CXA1081S
13	EL-390120J	IC CXA1082S
14	EL-388090J	IC CXD11250
15	EL-382251J	IC LC3517BS-15
16	EL-394933J	IC UPD75212A FXC02 200
17	EL-390149J	OSC CE CST42FM9W 4.230MHZ
18	EL-381138J	OSC XTAL HC-49/U 16.934400KHZ
19	EM-389466J	IND FL FPRCYM7 CHARACTER
20	ES-368603	SW LEAF MSW-1585
21	ES-38376J	SW LEAF SPR22-01-1
22	ES-394818J	SW TACT SQR-123HS T05
23	ET-354371	TR DTC114TS
24	ET-373392	TR DTC124XS
25	ET-353899	TR 2SA1317 S.T.U
26	ET-353899	TR 2SA1515 Q.R
27	ET-394555J	TR 2SA934 Q.R
28	ET-394919J	TR 2SB11329 Q.R T05
29	ET-394494J	TR 2SC2060 Q.R F05
30	ET-397160J	TR 2SC3330 R.S.T.U.V
31	ET-394554J	TR 2SD1379
32	ET-394917J	TR 2SD2005 Q.R T05
33	ET-394916J	TR 2SD2037 E.F T05
34	EW-394419J	WIPE ASSY P2059 12P
35	WB-368590J	BELT LOADING

## 2. CD MECHANISM

Ref.No.	Part No.	Description
1	MA-380689J	CHASSIS MECHA OUTSERT PART
2	*MC-384728J	PICK UP KSS-210A
3	MA-368246	SHIRT
4	MA-3372237	PAN20X08STL CMT
5	ZS-397453	SC MOTOR SPINDLE PART
6	MA-368580	CUSHION RUBBER
7	BM-B38441	SC MOTOR LOADING PART
8	MA-368549	SC MOTOR SLIDE PART
9	BM-B371552	SC MOTOR SPINDLE PART
10	ES-368603	SW LEAF MSW-1585
11	ZS-35376J	SW LEAF SPR22-01-1
12	ZS-353686	PT20X08STL CMT
13	ZS-343062	PT20X08STL CMT
14	MF-374137J1	PULLEY GEAR
15	MF-368590J1	BELT LOADING
16	MF-368590J1	PT B36X08STL CMT C080
17	MF-368590J1	CLAMP
18	MF-368590J1	CLAMP
19	MF-368590J1	CLAMP
20	MF-368590J1	CLAMP
21	MF-368590J1	CLAMP
22	MF-368590J1	CLAMP
23	MF-368590J1	CLAMP
24	MF-368590J1	CLAMP
25	MF-368590J1	CLAMP
26	MF-368590J1	CLAMP
27	MF-368590J1	CLAMP
28	MF-368590J1	CLAMP
29	MF-368590J1	CLAMP
30	MF-368590J1	CLAMP
31	MF-368590J1	CLAMP

### NOTE:

Parts will not be supplied if they are not listed in the parts list, even if they appear on the assembling illustrations with reference No.





### 3. P.C BOARD

Ref.No.	Part No.	Description
1	BA-P2059A020A	PC( # ) MAIN BLK CD-M600

PC ( # ) MAIN BLK CONSISTS OF FOLLOWING P.C BOARD.

- MAIN P.C BOARD
- FRONT P.C BOARD
- LED P.C BOARD

### 4. MAIN P.C BOARD

Ref.No.	Part No.	Description
D1	*ED-389840J	D SILICON 1SR139-100HS F10
D2	*ED-389840J	D SILICON 1SR139-100HS F10
D3	*ED-389840J	D SILICON 1SR139-100HS F10
D4	*ED-389840J	D SILICON 1SR139-100HS F10
D5	ED-387783J	D ZENER H HZS6C3L F05
D6	ED-387783J	D ZENER H HZS6C3L F05
D7	ED-397071J	D ZENER H HZS6B3 T26
D8	ED-387820J	D ZENER H HZS9A2L F05
D9	ED-307572	D SILICON H 1SS131
D10	ED-307572	D SILICON H 1SS131
D13	ED-307572	D SILICON H 1SS131
D14	ED-387783J	D ZENER H HZS6C3L F05
IC1	EI-394933J	IC UPD75212A FXCD2 200
IC2	EI-390120J	IC CXA1082BS
IC3	EI-390112J	IC CXA1081S
IC4	EI-388090J	IC CXD1125Q
IC5	EI-382251J	IC LC3517BS-15
IC6	EI-389264J	IC BA6209N
J4	EJ-394490J	SOCKET OPTICAL GP1F32T
R50	ER-382474J	R OMF H S10 FS 1/2W 1R2J
TR1	ET-394554J	TR 2SD1379
TR2	ET-394555J	TR 2SA1515 Q,R
TR4	ET-353899	TR 2SA1317 S,T,U
TR8	ET-353899	TR 2SA1317 S,T,U
TR9	ET-397160J	TR 2SC3330 R,S,T,U,V
TR10	ET-394916J	TR 2SD2037 E,F T05
TR11	ET-394495J	TR 2SA934 Q,R
TR12	ET-394916J	TR 2SD2037 E,F T05
TR13	ET-394919J	TR 2SB1329 Q,R T05
TR14	ET-394494J	TR 2SC2060 Q,R F05
TR15	ET-394495J	TR 2SA934 Q,R
TR16	ET-394917J	TR 2SD2005 Q,R T05
TR17	ET-394919J	TR 2SB1329 Q,R T05
TR18	ET-397160J	TR 2SC3330 R,S,T,U,V
TR19	ET-397160J	TR 2SC3330 R,S,T,U,V
TR20	ET-397160J	TR 2SC3330 R,S,T,U,V
TR21	ET-397160J	TR 2SC3330 R,S,T,U,V
TR22	ET-373392	TR DTC124XS
TR23	ET-373392	TR DTC124XS
TR24	ET-354371	TR DTC124ES
TR25	ET-360399	TR DTC114TS
TR26	ET-360399	TR DTC114TS
TR27	ET-360399	TR DTC114TS
TR28	ET-373392	TR DTC124XS
TR29	ET-373392	TR DTC124XS
TR30	ET-373392	TR DTC124XS
TR31	ET-373392	TR DTC124XS
VR1	EV-393741J	R S-FIX H T05 RH064JC 0.3W 102
VR2	EV-390872J1	R S-FIX H T05 RH0638C 0.1W 223
VR3	EV-390872J1	R S-FIX H T05 RH0638C 0.1W 223
VR4	EV-390872J1	R S-FIX H T05 RH0638C 0.1W 223
VR5	EV-390873J1	R S-FIX H T05 RH0638C 0.1W 472
X1	EI-381139J	OSC X*TAL HC-49/U 16934.400KHZ
X2	EI-390149J	OSC CE CST4.23MGW 4.230MHZ

### 5. FRONT P.C BOARD

Ref.No.	Part No.	Description
D101	ED-307572	D SILICON H 1SS131
D102	ED-307572	D SILICON H 1SS131
D103	ED-307572	D SILICON H 1SS131
IN1	EM-389466J	IND FL FIP8CYM7 CHARACTER
SW1	ES-394818J	SW TACT SOR-123HS T05
SW2	ES-394818J	SW TACT SOR-123HS T05
SW3	ES-394818J	SW TACT SOR-123HS T05
SW4	ES-394818J	SW TACT SOR-123HS T05
SW5	ES-394818J	SW TACT SOR-123HS T05
SW6	ES-394818J	SW TACT SOR-123HS T05

### 6. LED P.C BOARD

Ref.No.	Part No.	Description
D201	ED-394416J	D LED SLV-31VT3F RED
D202	ED-394416J	D LED SLV-31VT3F RED
D203	ED-394416J	D LED SLV-31VT3F RED
D204	ED-394416J	D LED SLV-31VT3F RED

### 7. FINAL ASSEMBLY

Ref.No.	Part No.	Description
1	SP-394112M	PANEL FRONT
2	SA-394136M	CUSHION FOOT
3	SE-394190M	PLATE FOOT
4	ZW-394496J	CANOE CLIP NO.74
5	SE-394138M	FILTER FLD(CD)
6	SE-394128M	WINDOW AT/CD
7	SE-394188M	DECORATION PLATE CENTER CD
8	SK-394120M	BUTTON OPERATION
9	SA-394127M	FOOT REAR
10-A	SP-394126M	PANEL REAR CD-M600(U)
10-B	SP-394366M	PANEL REAR CD-M600(E)
11	EW-394419J	WIRE ASSY P2059 12P
12	SE-394119M	LENS OPTICAL
13	SE-394121M	REFLECTOR OPTICAL
14	SP-394117M	PANEL TRAY
15	SZ-394118M	WINDOW TRAY
16	SP-394096M	COVER UPPER AT
17	ZS-387983J	ST BID30X08STL BNI EARTH LOCK
18	ZS-331182	BT BID30X08STL BNI
19	ZS-394114M	SCREW GRADUATED
20	ZS-378163	SCREW GRADUATED

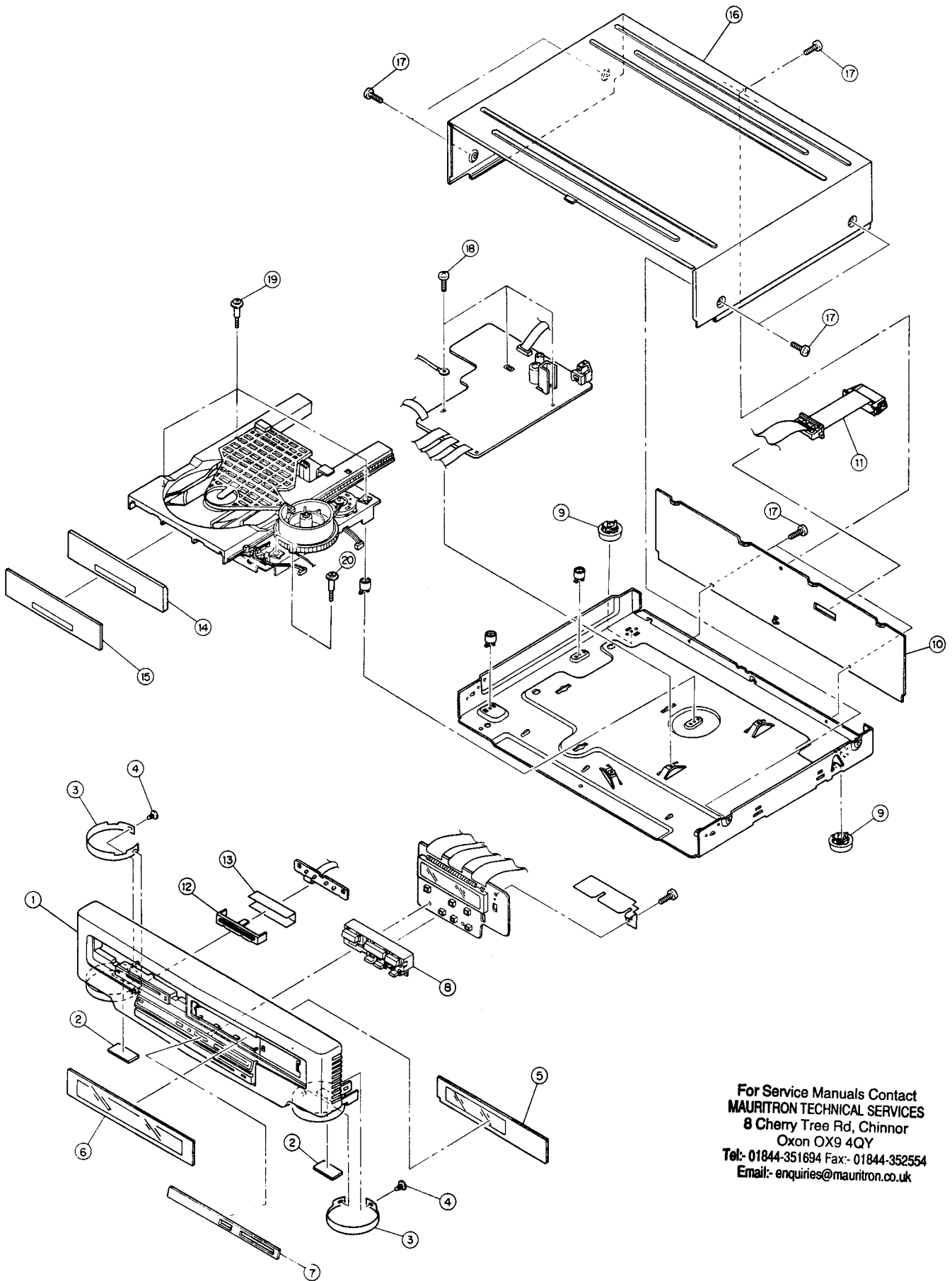
#### NOTE:

Parts will not be supplied if they are not listed in the parts list, even if they appear on the assembling illustrations with reference No.

### 8. ACCESSARY

Ref.No.	Part No.	Description
1	AX-385911J	CORD P2187-60A

**FINAL ASSEMBLY**



For Service Manuals Contact  
**MAURITRON TECHNICAL SERVICES**  
 8 Cherry Tree Rd, Chinnor  
 Oxon OX9 4QY  
 Tel: 01844-351694 Fax: 01844-352554  
 Email: enquiries@mauritron.co.uk

# AKAI

## MODEL CD-M600

### SCHEMATIC DIAGRAMS AND PC BOARDS

#### TABLE OF CONTENTS

1. BLOCK DIAGRAM .....	3
2. SCHEMATIC DIAGRAM .....	4
3. MAIN AND OTHER PC BOARDS .....	5
4. INFORMATION OF ICs .....	6

For Service Manuals Contact  
MAURITRON TECHNICAL SERVICES  
8 Cherry Tree Rd, Chinnor  
Oxon OX9 4QY  
Tel:- 01844-351694 Fax:- 01844-352554  
Email:- enquiries@mauritron.co.uk

1

2

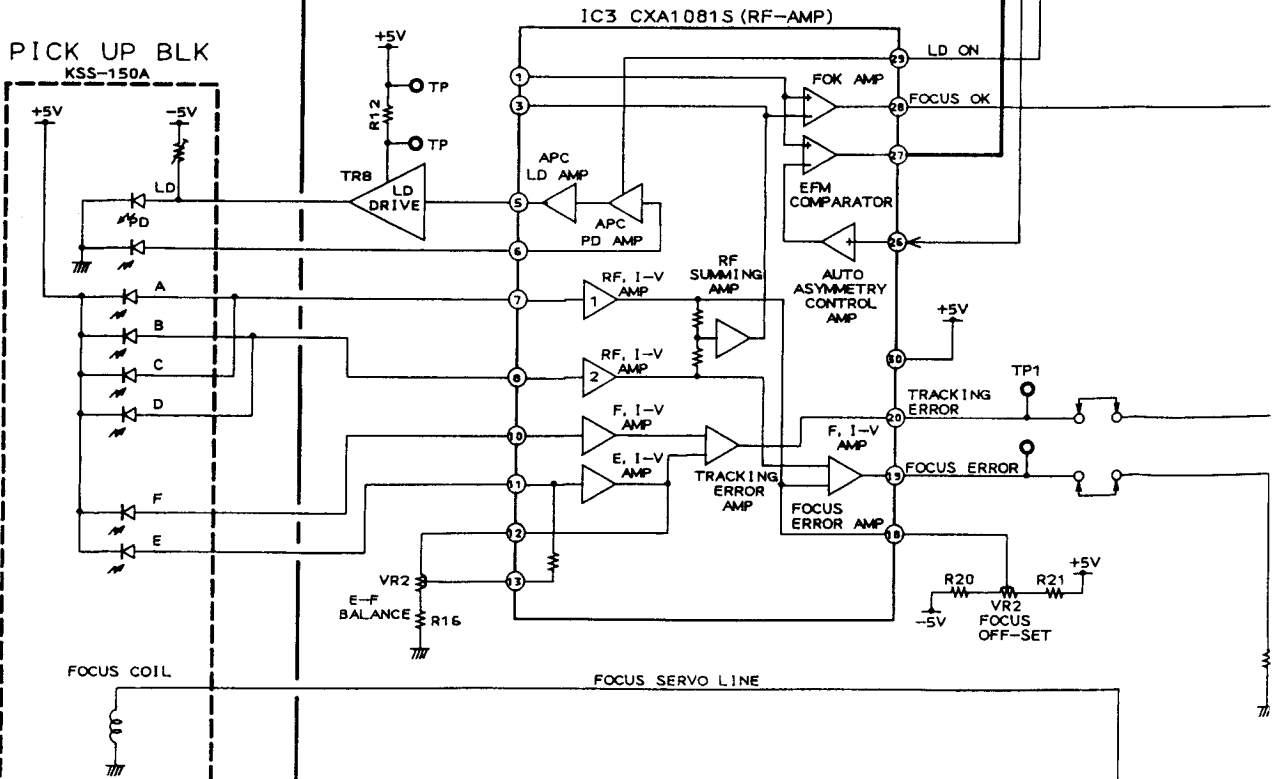
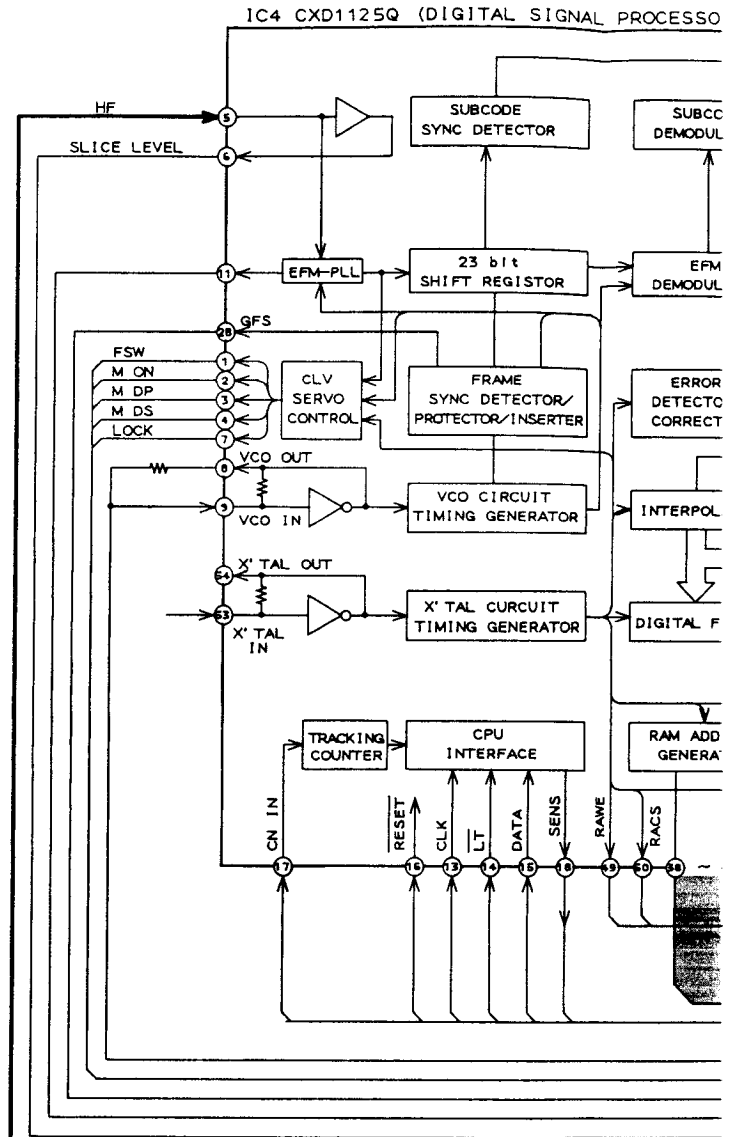
3

4

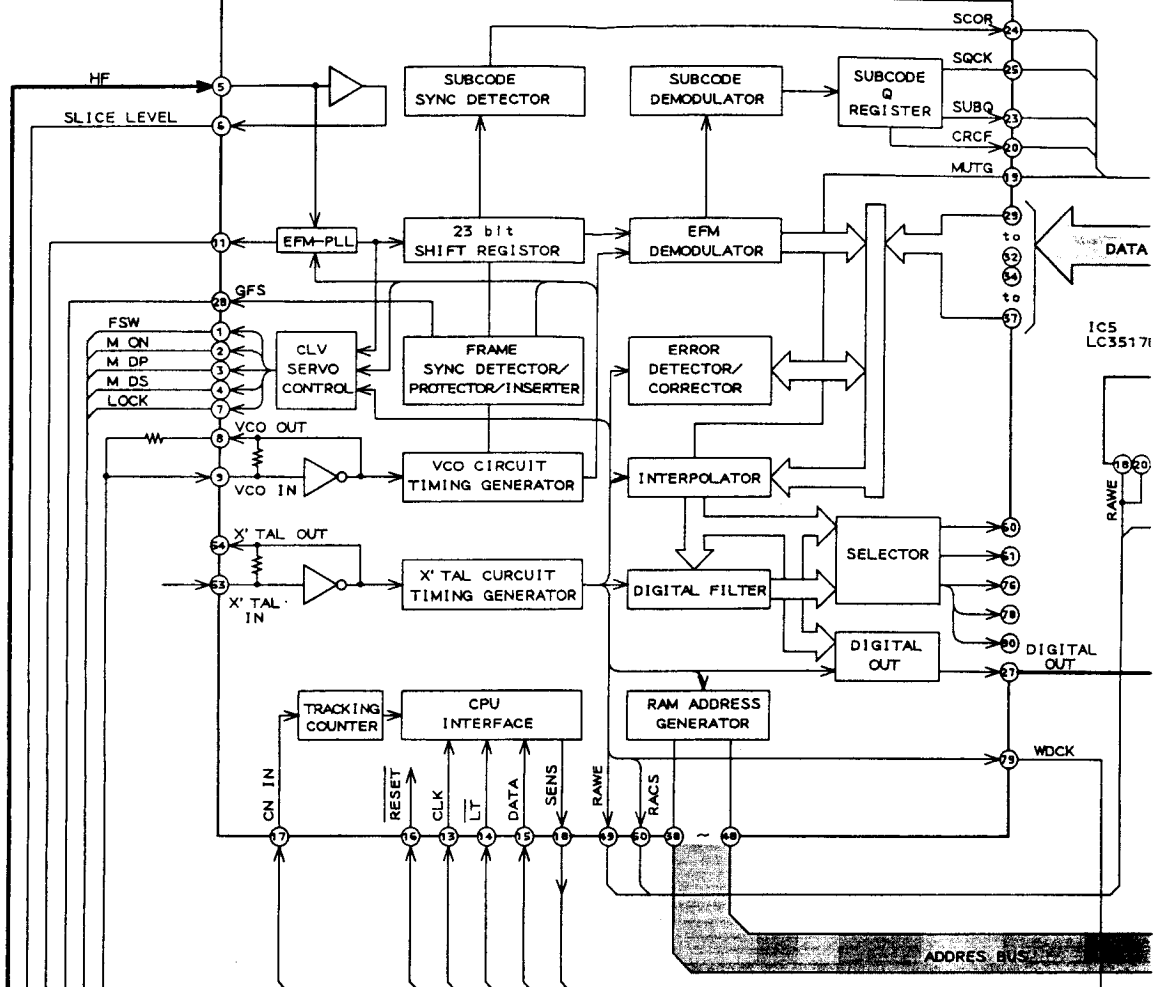
5

6

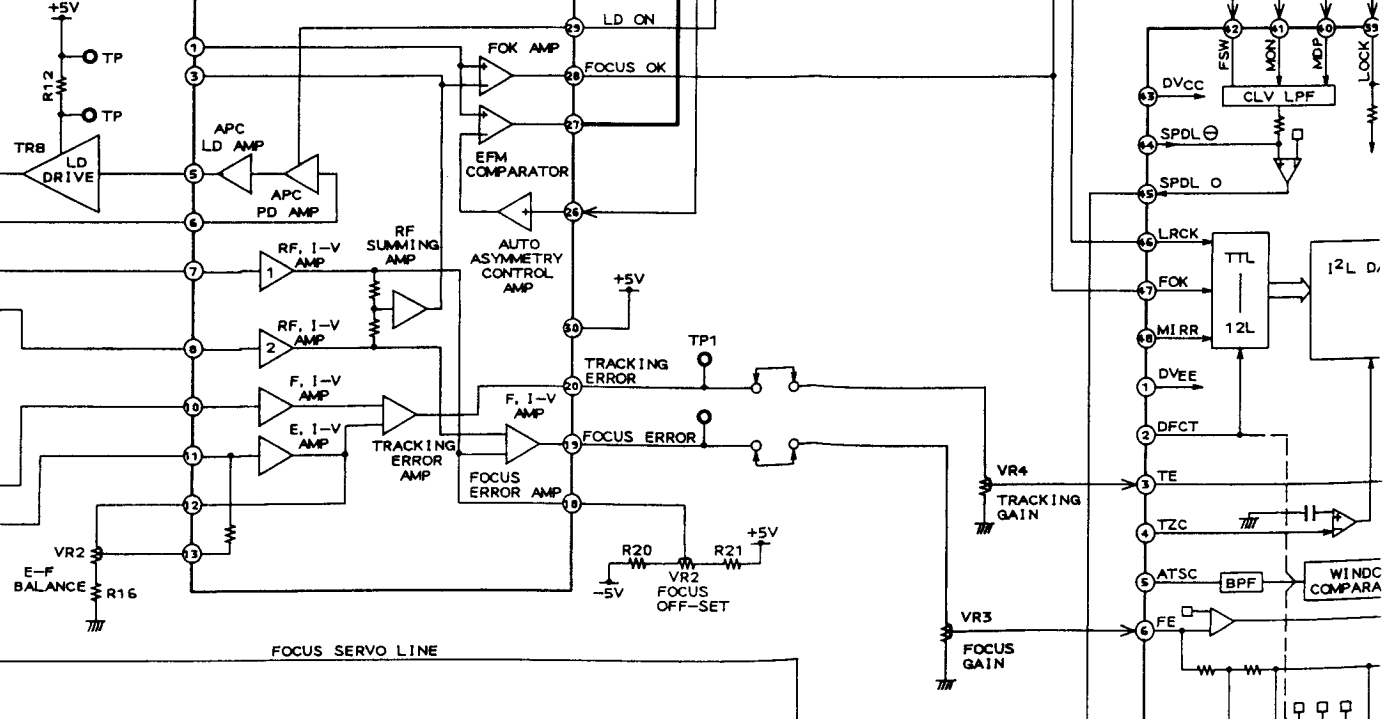
For Service Manuals Contact  
**MAURITRON TECHNICAL SERVICES**  
 8 Cherry Tree Rd, Chinnor  
 Oxon OX9 4QY  
 Tel: 01844-351694 Fax: 01844-352554  
 Email: enquires@mauritron.co.uk

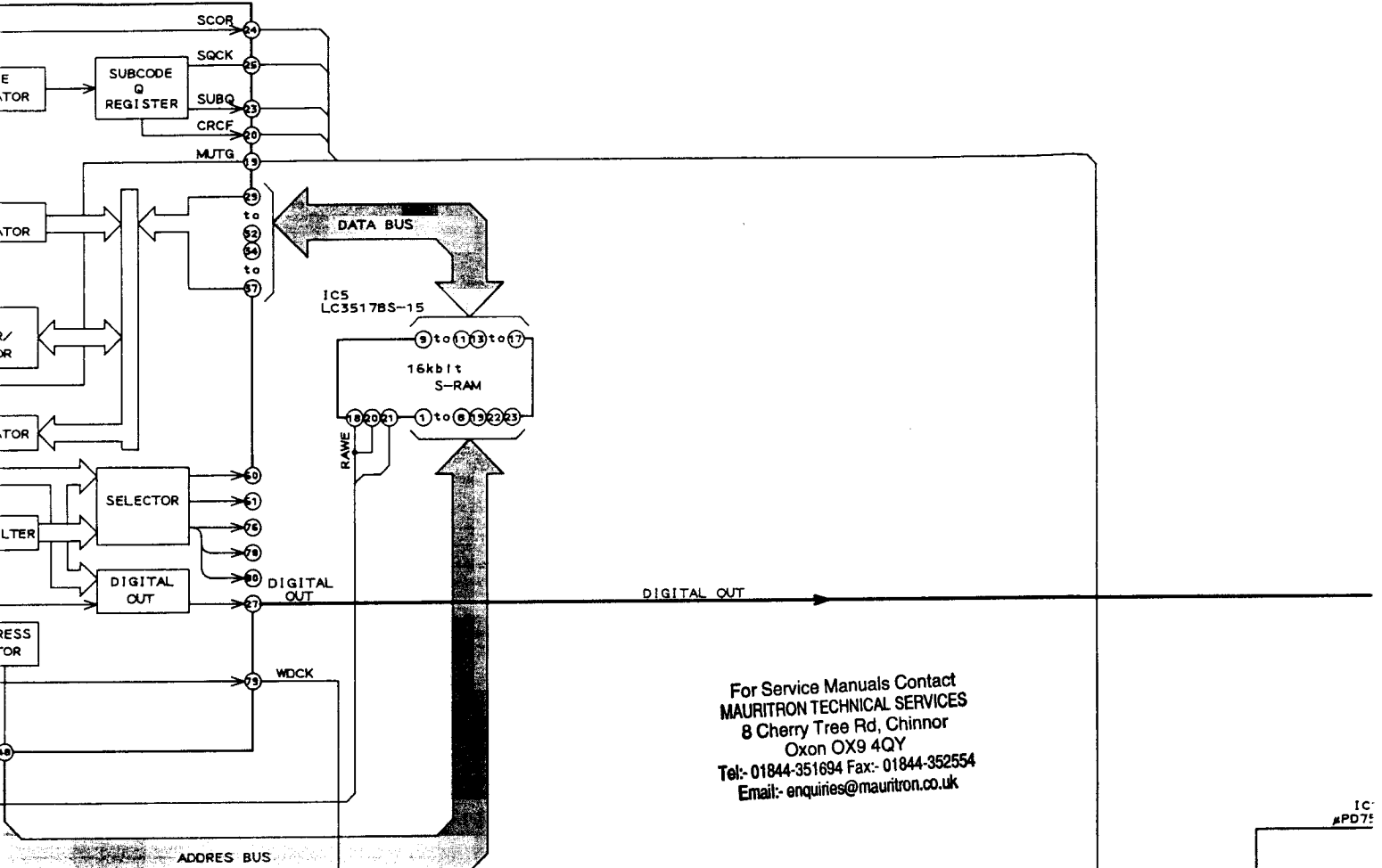


IC4 CXD1125Q (DIGITAL SIGNAL PROCESSOR)

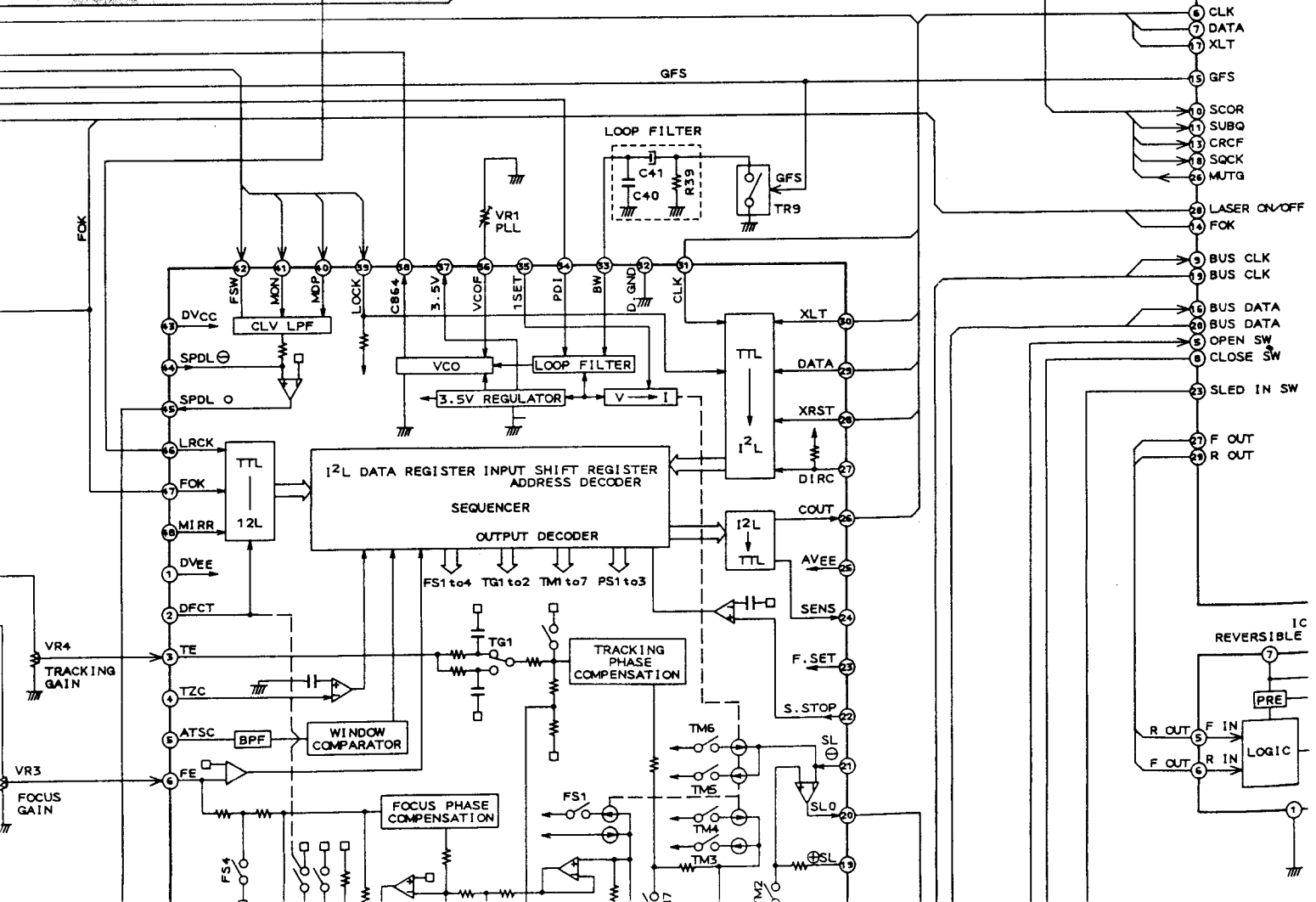


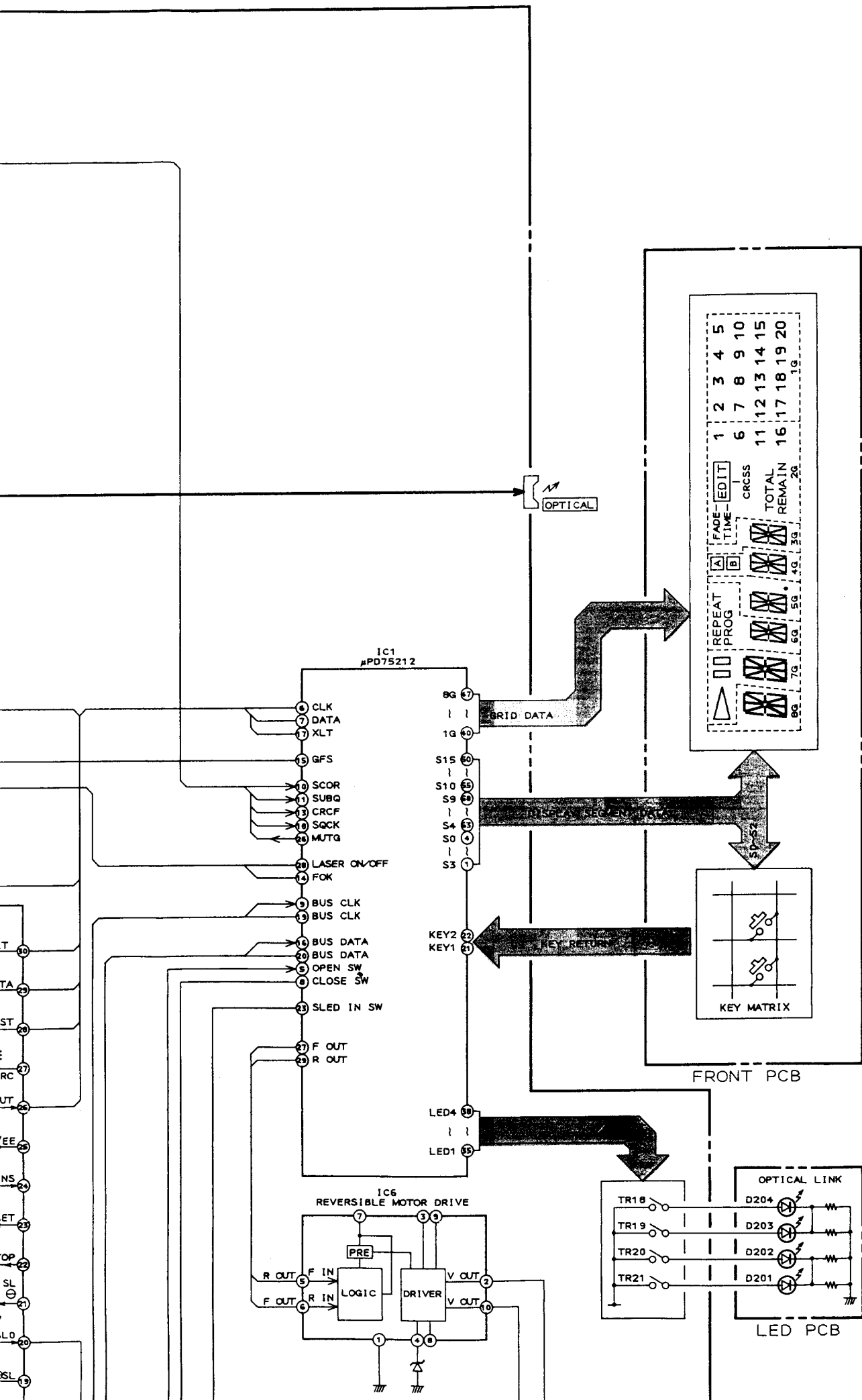
IC3 CXA1081S (RF-AMP)





For Service Manuals Contact  
**MAURITRON TECHNICAL SERVICES**  
 8 Cherry Tree Rd, Chinnor  
 Oxon OX9 4QY  
 Tel: 01844-351694 Fax: 01844-352554  
 Email: enquiries@mauritron.co.uk





1	2	3	4	5
6	7	8	9	10
11	12	13	14	15
16	17	18	19	20
FACE TIME		EDIT		
REPEAT PROG		CROSS		
TOTAL REMAIN		20		
3g		4g		
5g		6g		
7g		8g		



3

4

5

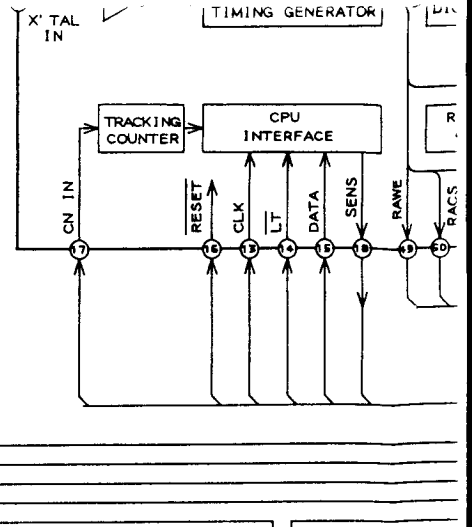
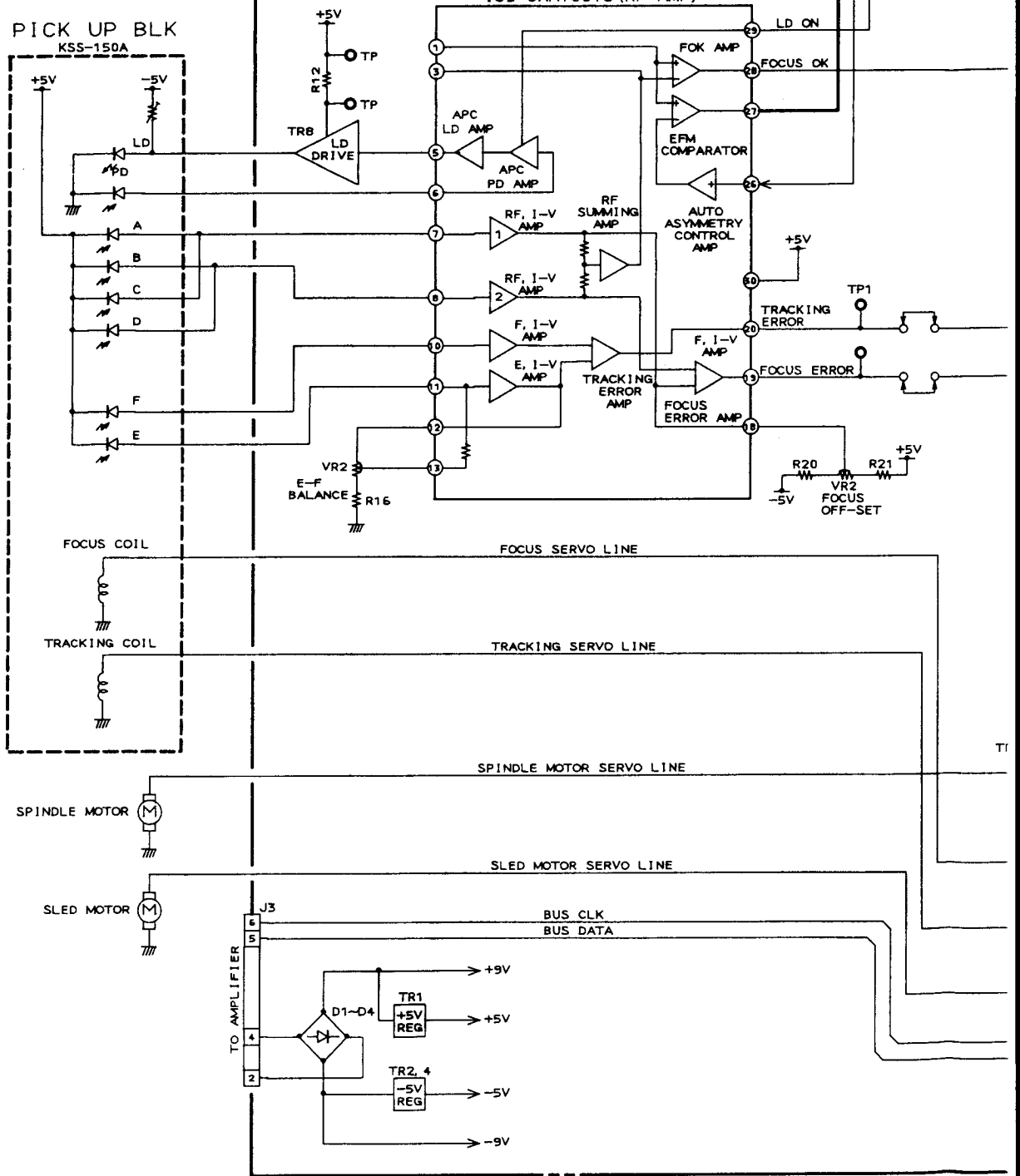
6

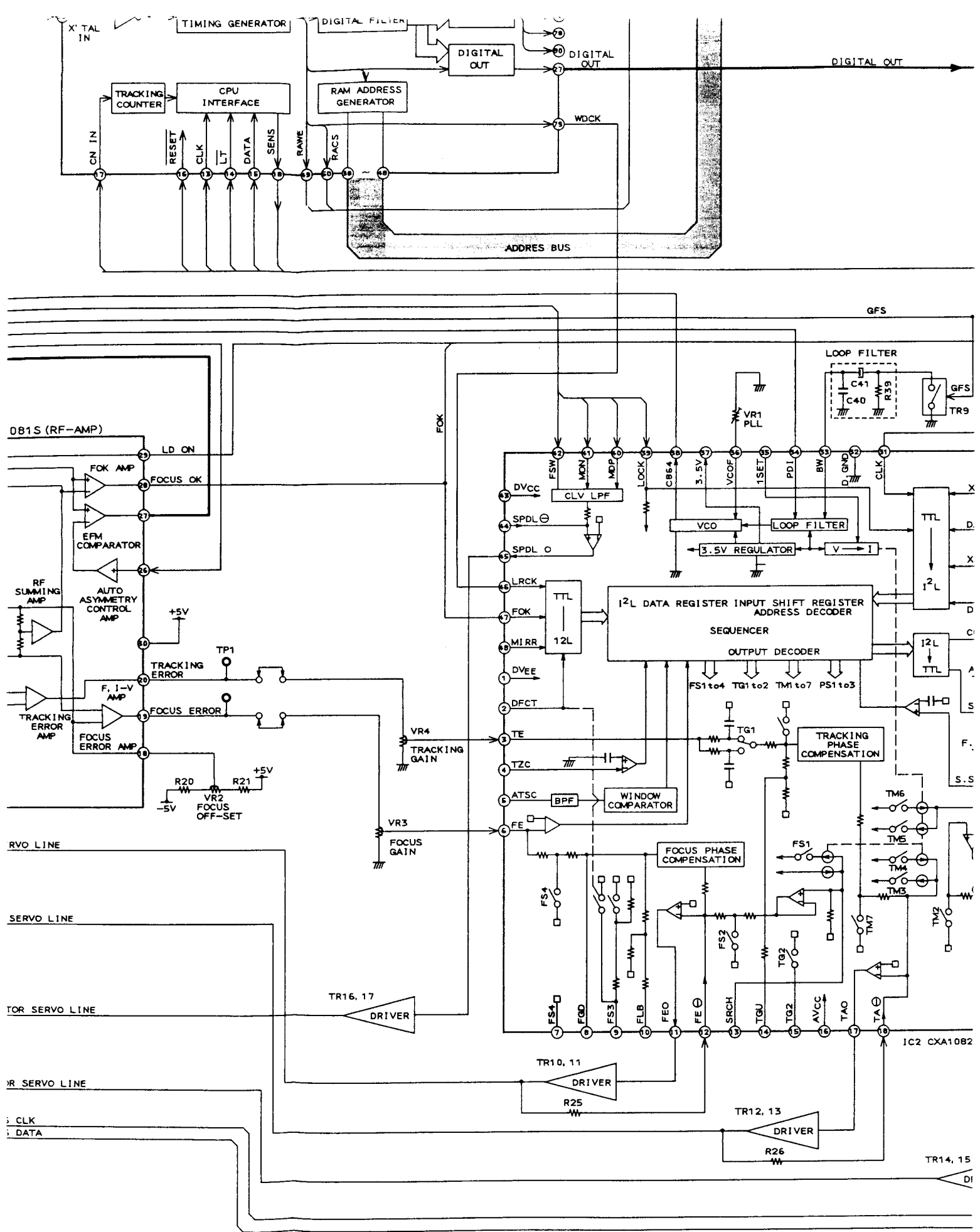
7

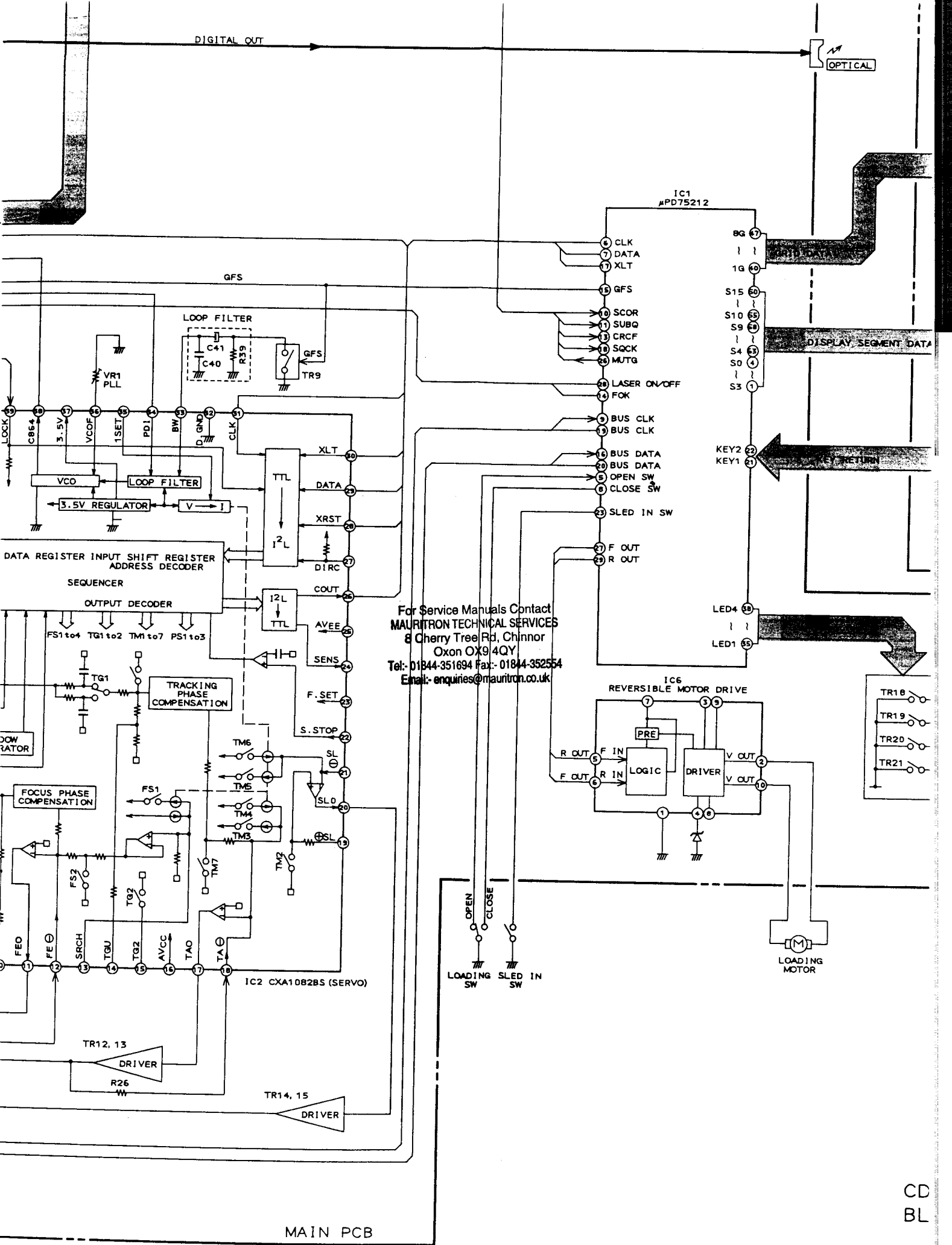
8

For Service Manuals Contact  
 MAURITRON TECHNICAL SERVICES  
 8 Cherry Tree Rd, Chinnor  
 Oxon OX9 4QY  
 Tel: 01844-351694 Fax: 01844-352554  
 Email: enquiries@mauritron.co.uk

PICK UP BLK  
 KSS-150A

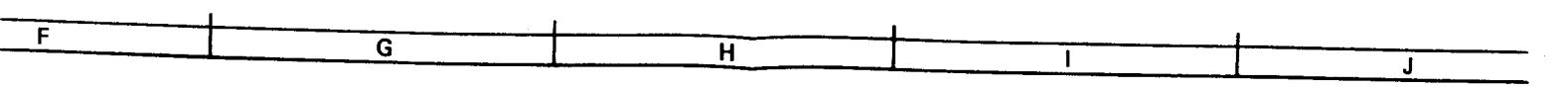


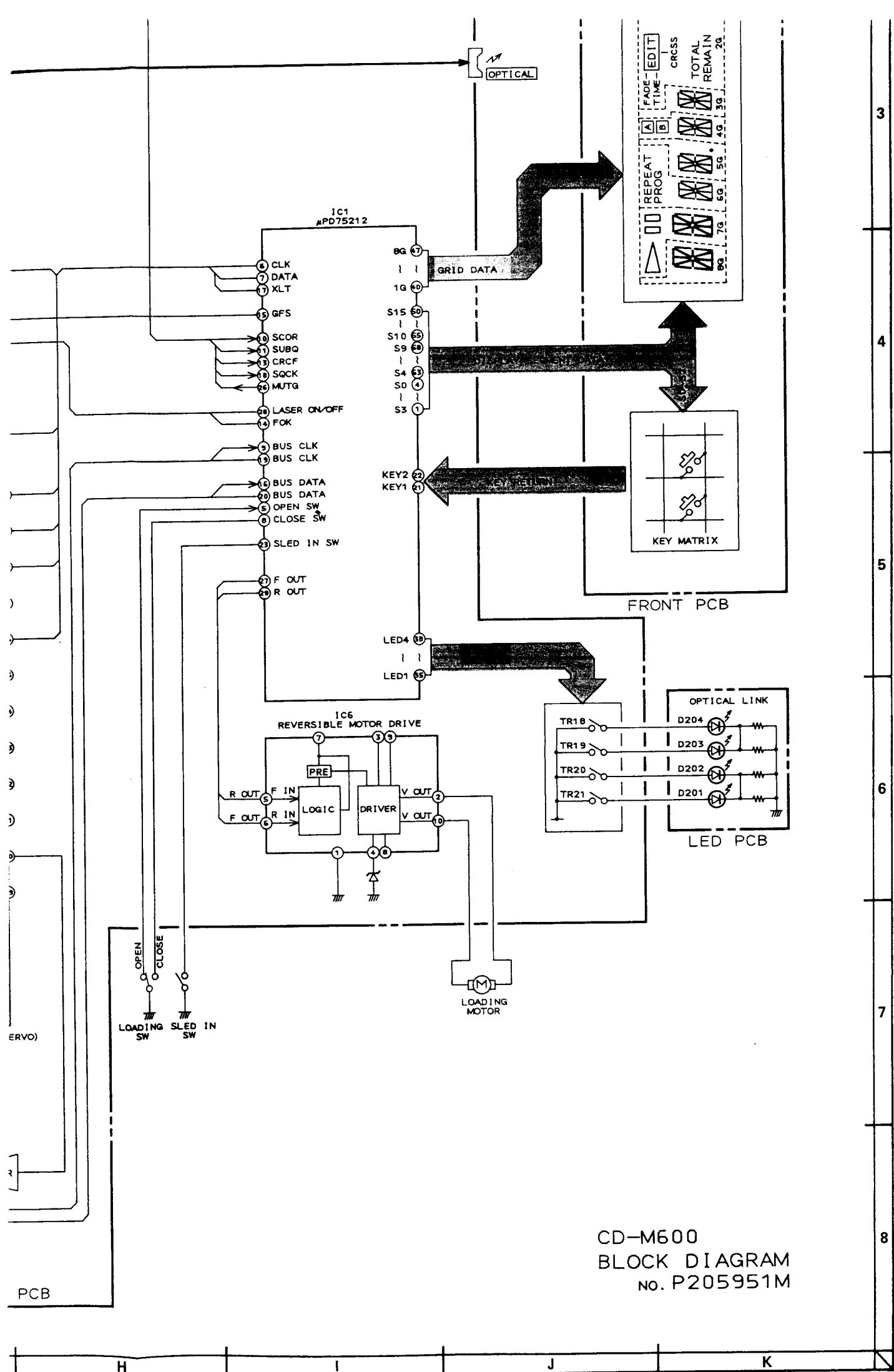




For Service Manuals Contact  
**MAURITRON TECHNICAL SERVICES**  
 8 Cherry Tree Rd, Chinnor  
 Oxon OX9 4QY  
 Tel: 01844-351694 Fax: 01844-352554  
 Email: enquiries@mauritron.co.uk

CD  
 BL





CD-M600  
BLOCK DIAGRAM  
No. P205951M

3  
4  
5  
6  
7  
8  
3

PCB

ERVO)

H I J K

A

B

C

D

1

2

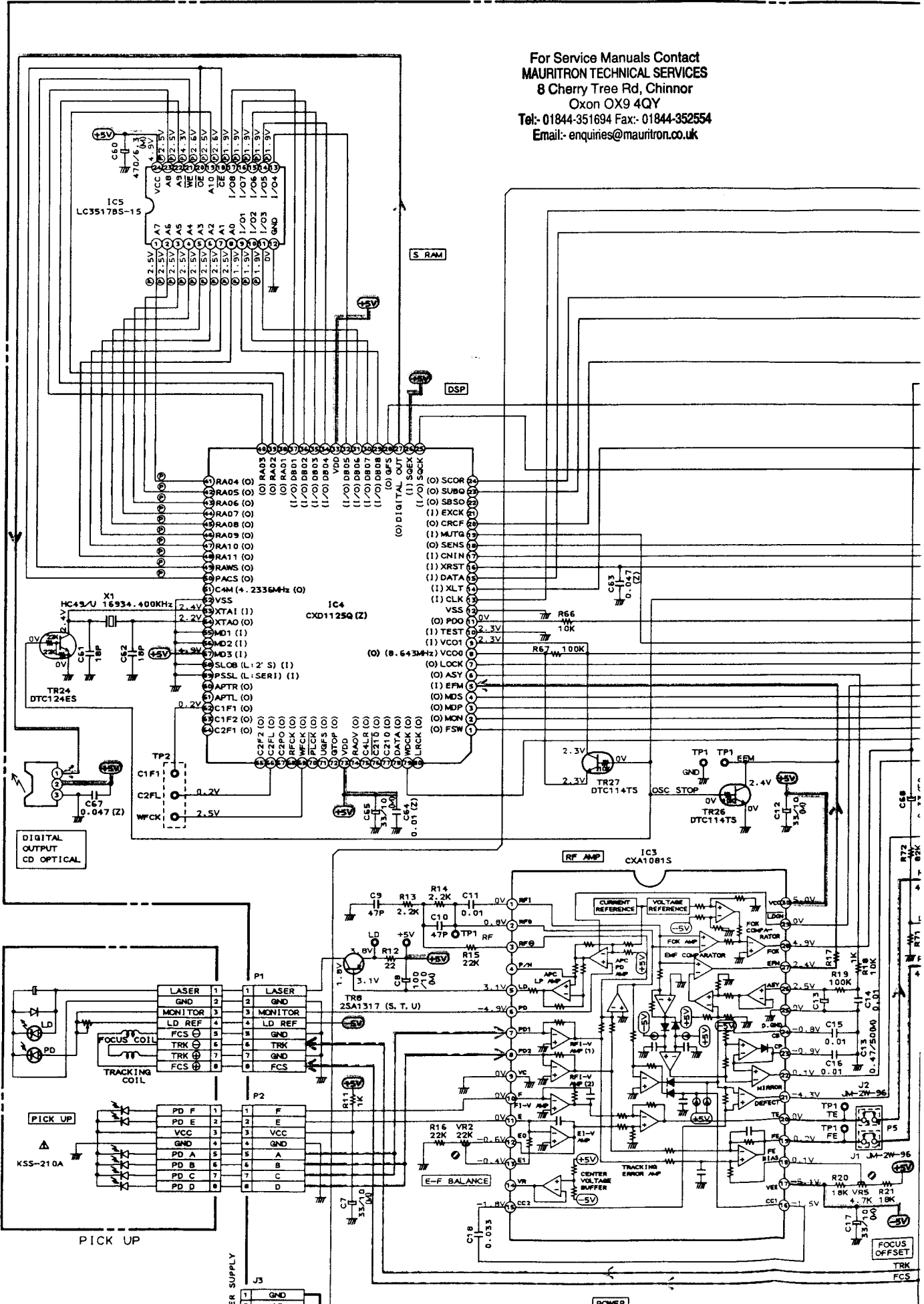
3

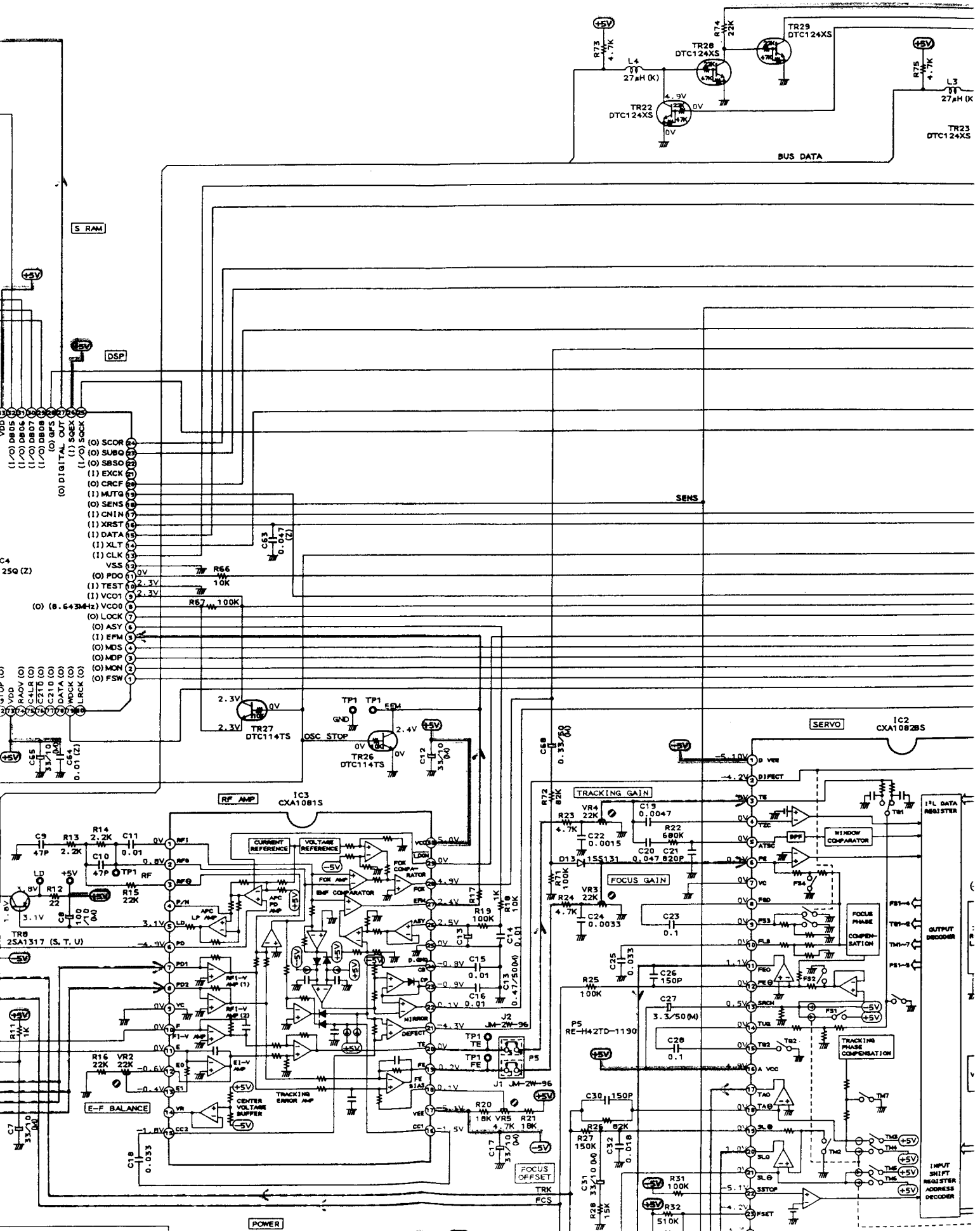
4

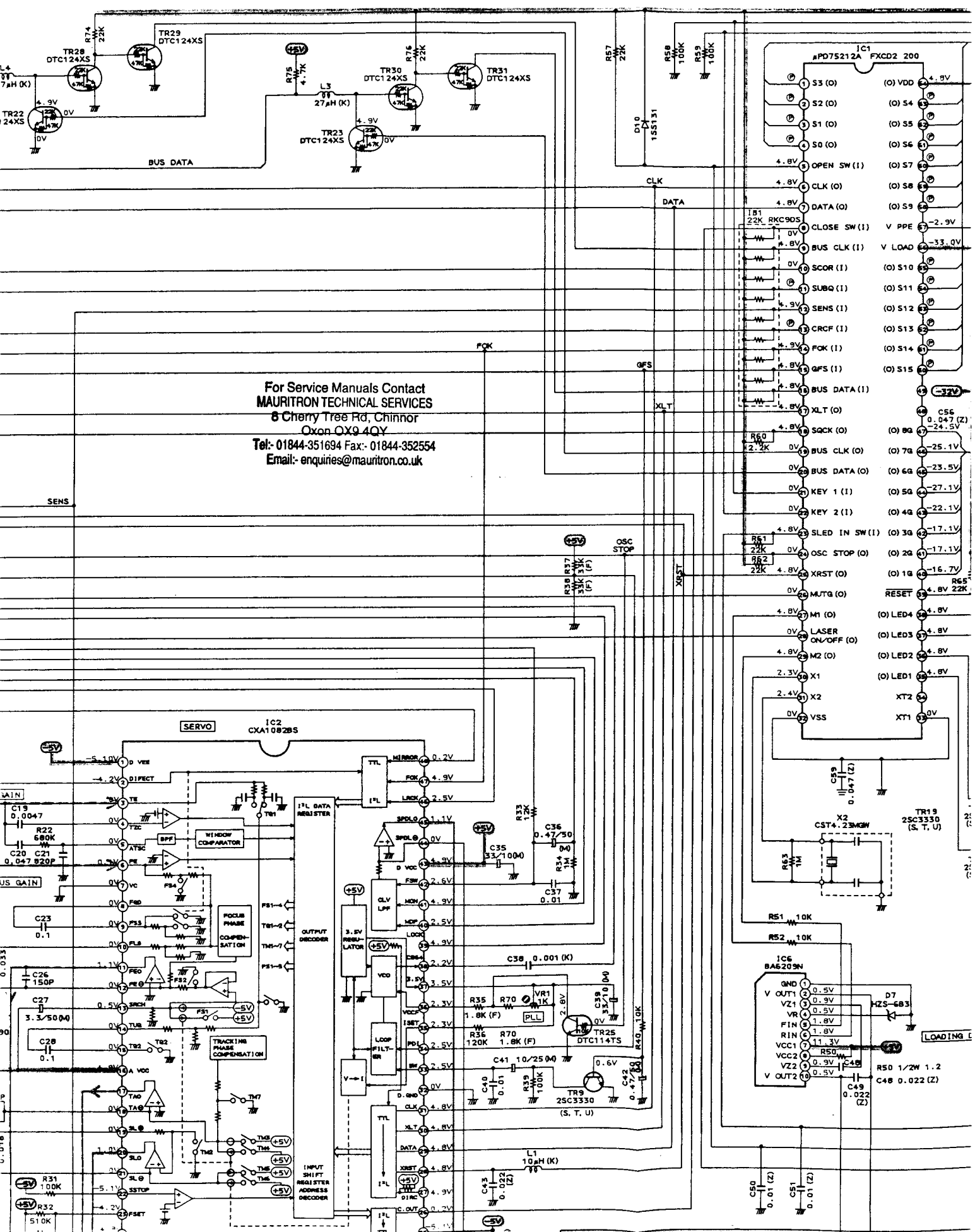
5

6

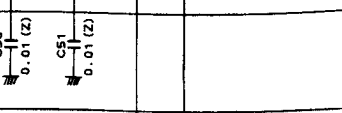
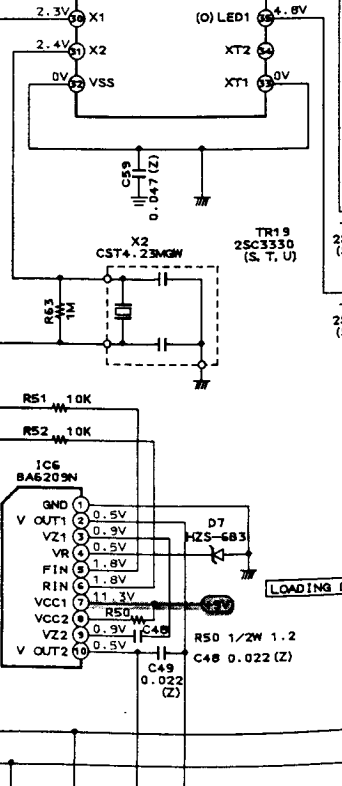
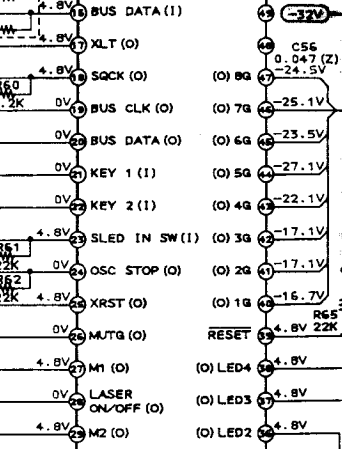
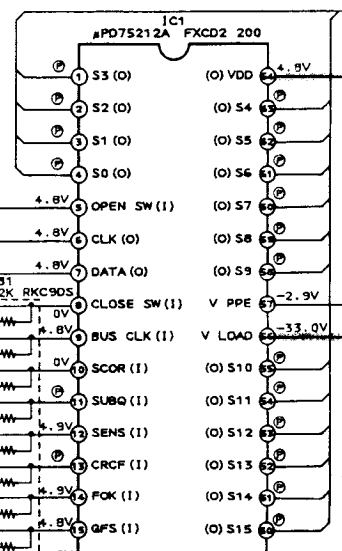
For Service Manuals Contact  
**MAURITRON TECHNICAL SERVICES**  
 8 Cherry Tree Rd, Chinnor  
 Oxon OX9 4QY  
 Tel:- 01844-351694 Fax:- 01844-352554  
 Email:- enquiries@mauritron.co.uk

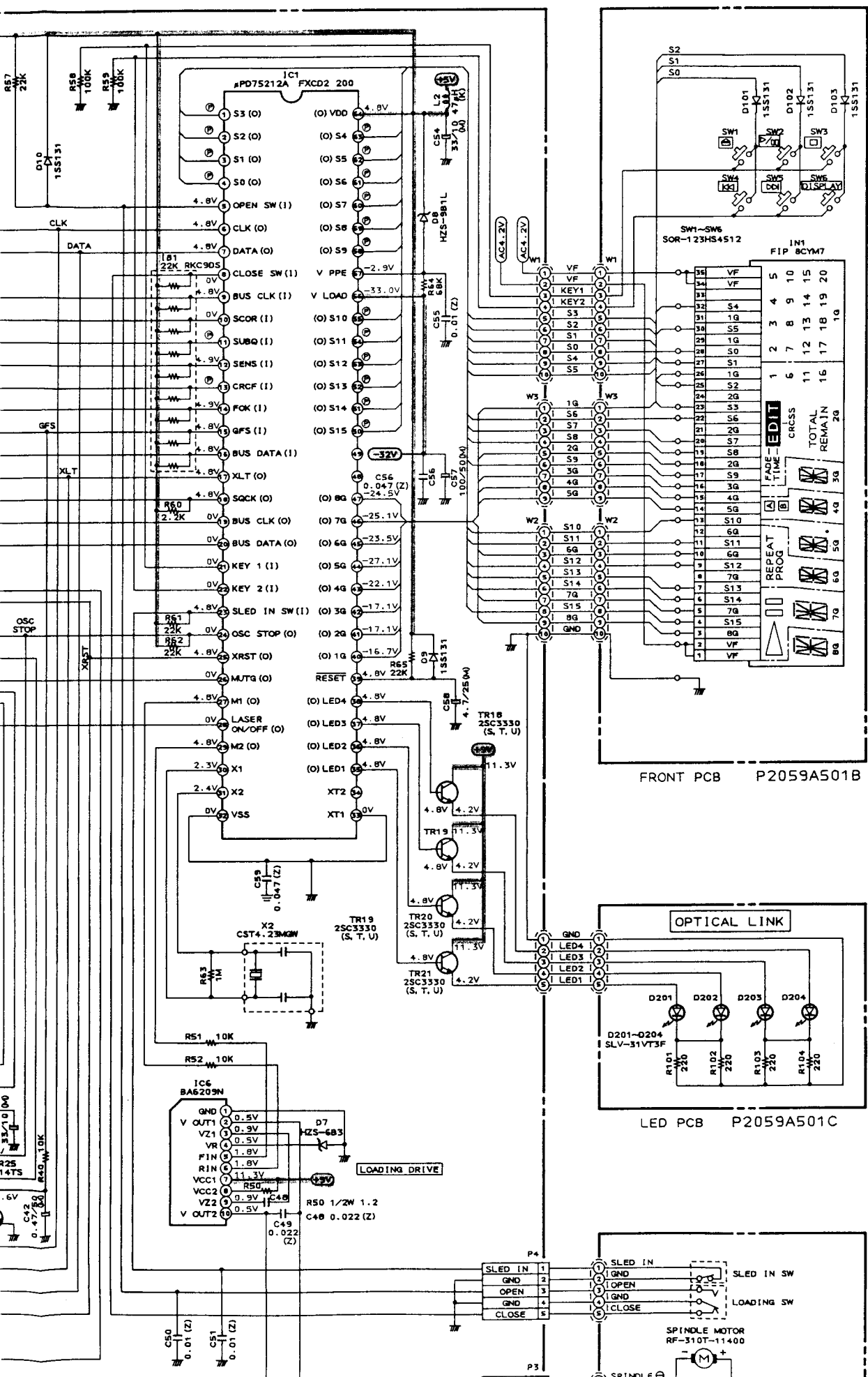






For Service Manuals Contact  
**MAURITRON TECHNICAL SERVICES**  
 8 Cherry Tree Rd, Chinnor  
 Oxon OX9 4QY  
 Tel: 01844-351694 Fax: 01844-352554  
 Email: enquiries@mauritron.co.uk







3

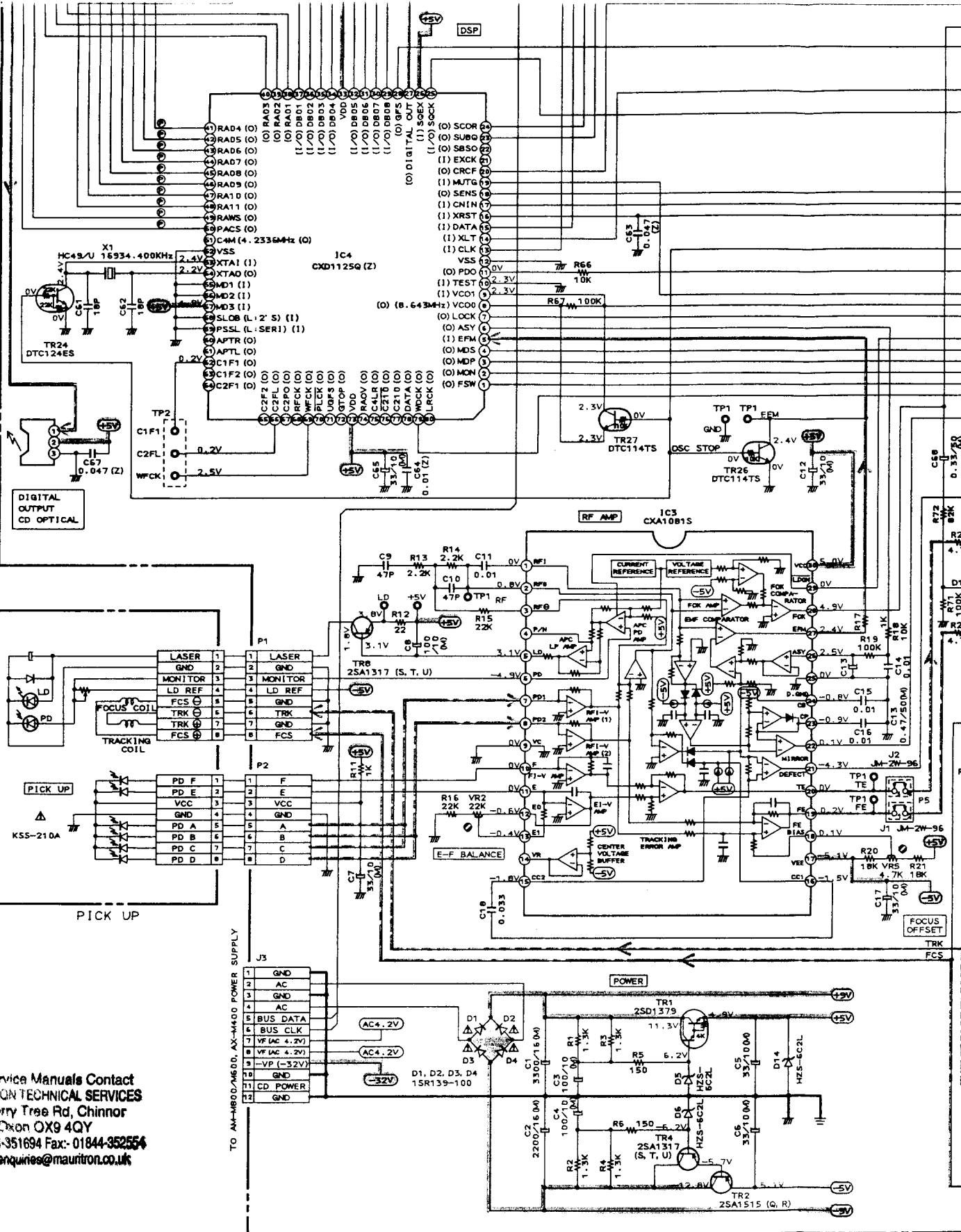
4

5

6

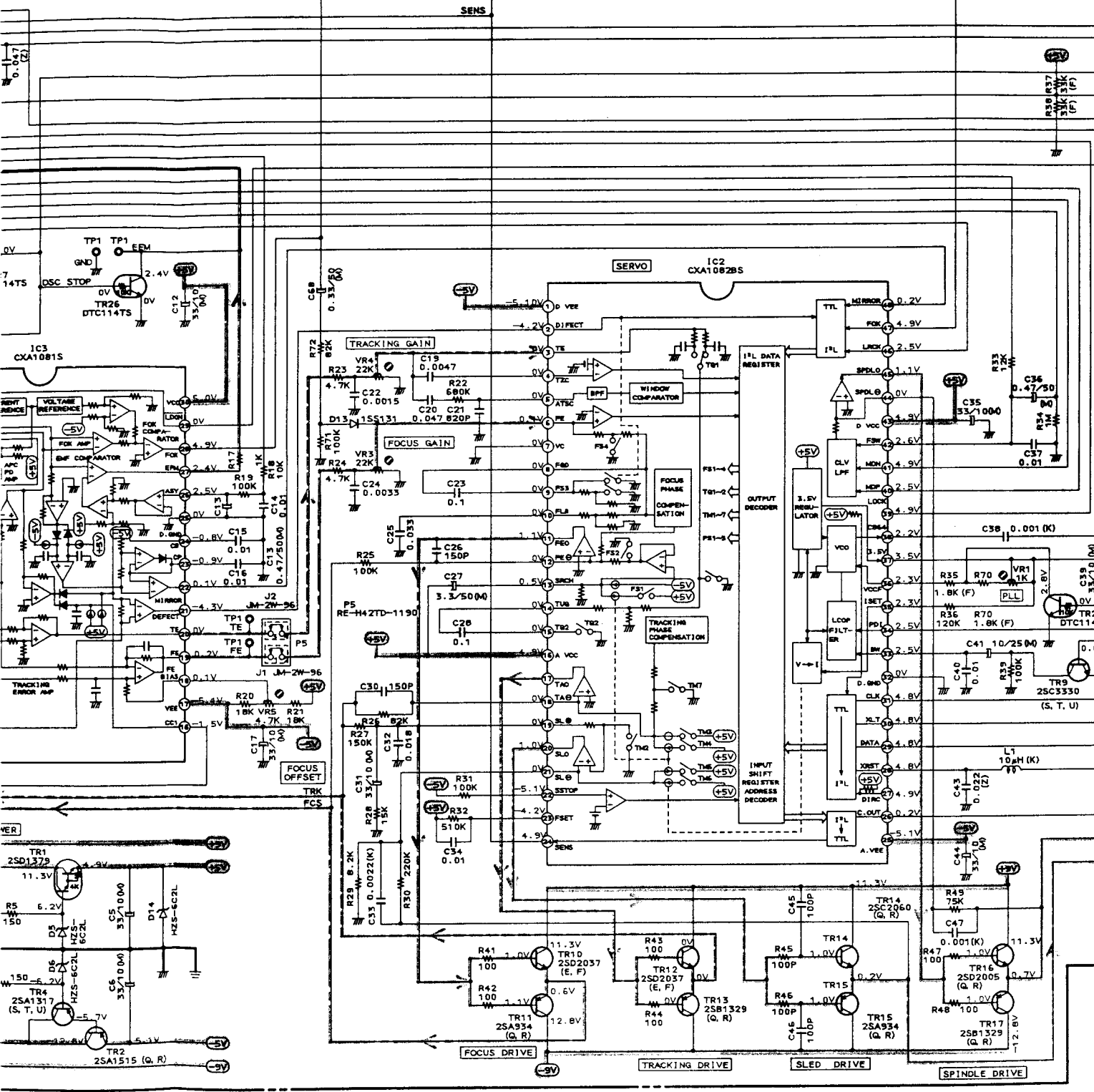
7

8



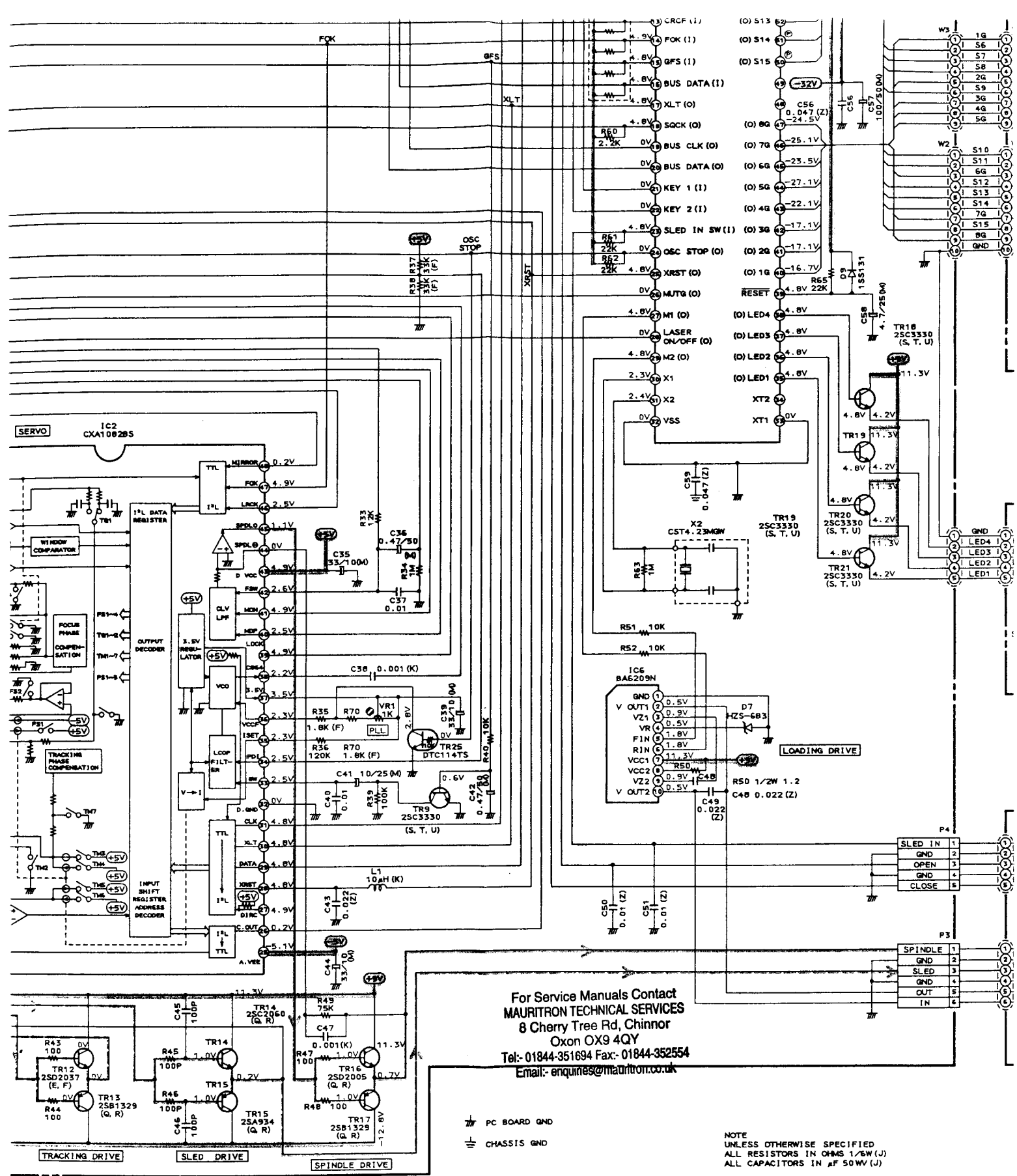
▲ MAIN PCB P2059A501A

For Service Manuals Contact  
**MAURITRON TECHNICAL SERVICES**  
 8 Cherry Tree Rd, Chinnor  
 Oxon OX9 4QY  
 Tel: 01844-351694 Fax: 01844-352554  
 Email: enquiries@mauritron.co.uk



- + (POWER SUPPLY) LINE
- SIGNAL LINE
- FOCUS SERVO LINE
- TRACKING SERVO LINE
- SPINDLE MOTOR SERVO LINE
- SLIDE MOTOR SERVO LINE

INDICATED VOLTAGE



For Service Manuals Contact  
**MAURITRON TECHNICAL SERVICES**  
 8 Cherry Tree Rd, Chinnor  
 Oxon OX9 4QY  
 Tel:- 01844-351694 Fax:- 01844-352554  
 Email:- enquiries@mauritron.co.uk

PC BOARD GND  
 CHASSIS GND

NOTE  
 UNLESS OTHERWISE SPECIFIED  
 ALL RESISTORS IN OHMS 1/5W (J)  
 ALL CAPACITORS IN μF 50V (J)

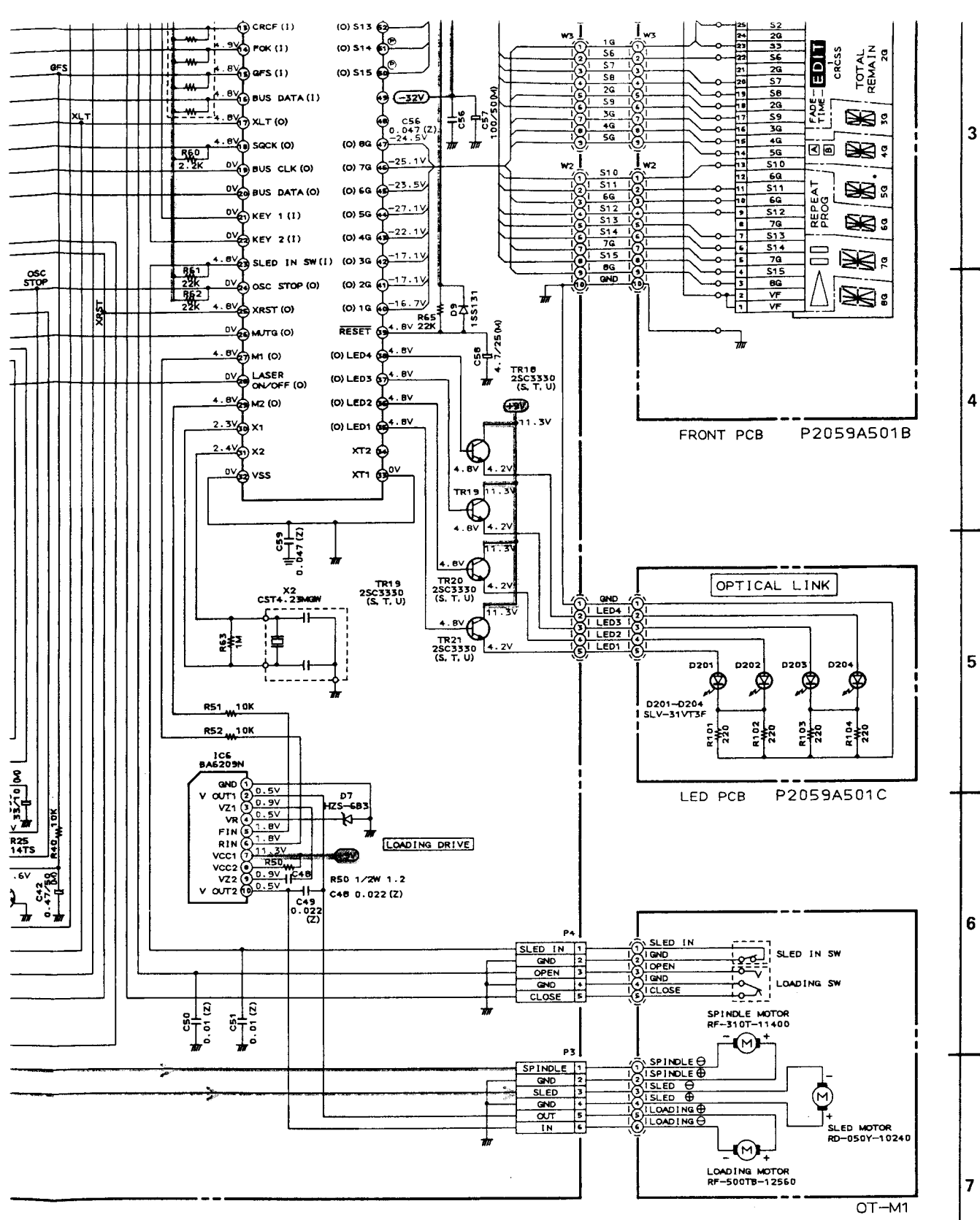
- (POWER SUPPLY) LINE
- SIGNAL LINE
- FOCUS SERVO LINE
- TRACKING SERVO LINE
- SPINDLE MOTOR SERVO LINE
- SLIDE MOTOR SERVO LINE

INDICATED VOLTAGES ARE MEASURED AT PLAY MODE.

WARNING: ⚠ AND ⚡ INDICATE SAFETY CRITICAL COMPONENTS FOR CONTINUED SAFETY. REPLACE SAFETY CRITICAL COMPONENTS ONLY WITH MANUFACTURER'S RECOMMENDED PARTS

AVERTISSEMENT: ⚠ ET ⚡ ILS INDIQUENT LES COMPOSANTS CRITIQUES DE SÉCURITÉ. POUR MAINTENIR LE DEGRÉ DE SÉCURITÉ DE L'APPAREIL, NE REMPLACER QUE DES PIÈCES RECOMMANDÉES PAR LE FABRICANT

CD-  
 SCS



PC BOARD GND  
 CHASSIS GND

NOTE  
 UNLESS OTHERWISE SPECIFIED  
 ALL RESISTORS IN OHMS 1/8W(J)  
 ALL CAPACITORS IN  $\mu$ F 50V(W)

WARNING: AND INDICATE SAFETY CRITICAL COMPONENTS FOR CONTINUED SAFETY. REPLACE SAFETY CRITICAL COMPONENTS ONLY WITH MANUFACTURER'S RECOMMENDED PARTS.

AVERTISSEMENT: ET ILS INDIQUENT LES COMPOSTANTS CRITIQUES DE SÉCURITÉ. POUR MAINTENIR LE DEGRÉ DE SÉCURITÉ DE L'APPAREIL, NE REMPLACER QUE DES PIÈCES RECOMMANDÉES PAR LE FABRICANT.

CD-M600  
 SCHEMATIC DIAGRAM  
 NO. P205901M

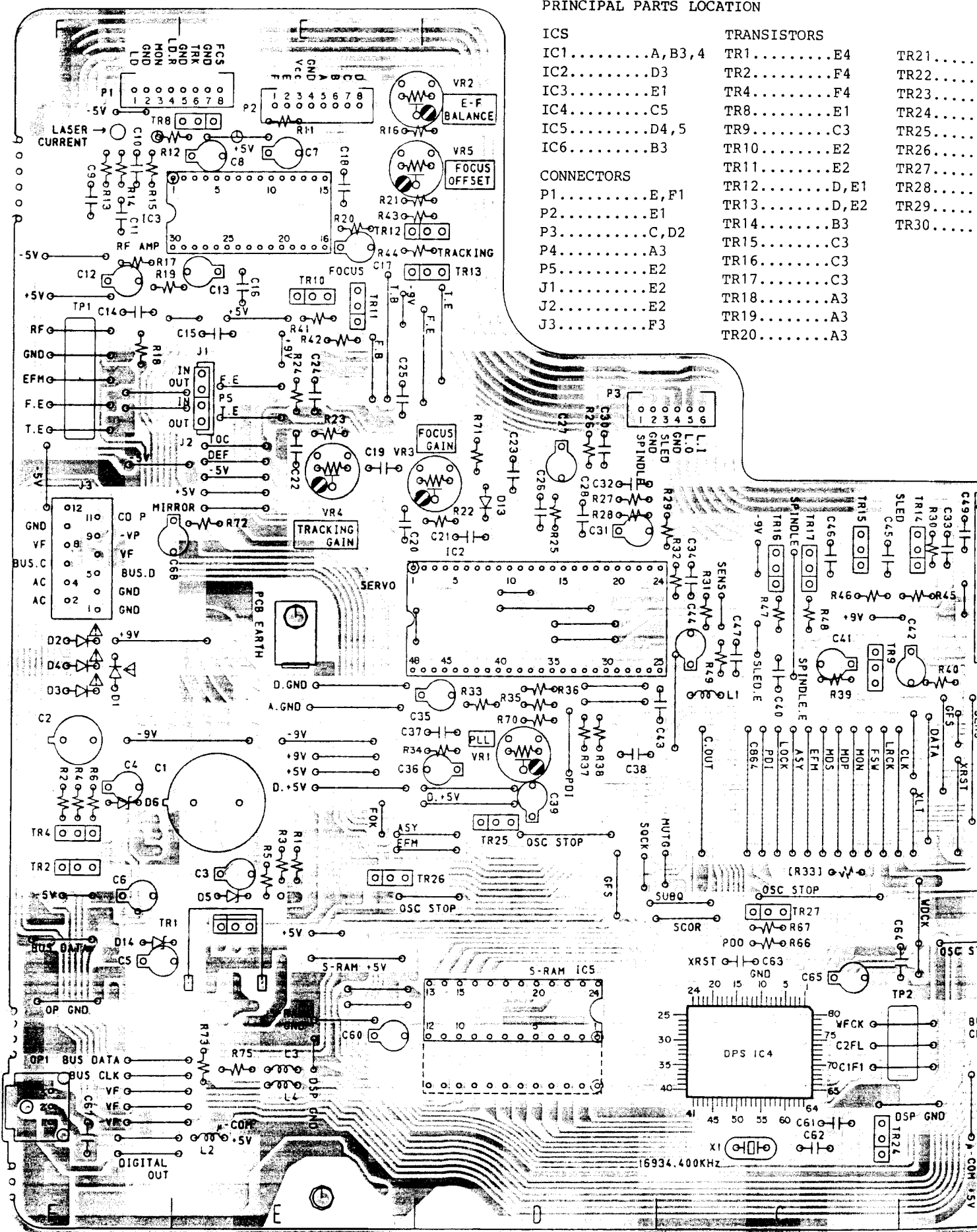
VOLTAGES ARE MEASURED AT PLAY MODE.

3  
4  
5  
6  
7  
8

H I J K

PRINCIPAL PARTS LOCATION

ICs	TRANSISTORS	
IC1.....A, B3, 4	TR1.....E4	TR21.....
IC2.....D3	TR2.....F4	TR22.....
IC3.....E1	TR4.....F4	TR23.....
IC4.....C5	TR8.....E1	TR24.....
IC5.....D4, 5	TR9.....C3	TR25.....
IC6.....B3	TR10.....E2	TR26.....
CONNECTORS	TR11.....E2	TR27.....
P1.....E, F1	TR12.....D, E1	TR28.....
P2.....E1	TR13.....D, E2	TR29.....
P3.....C, D2	TR14.....B3	TR30.....
P4.....A3	TR15.....C3	
P5.....E2	TR16.....C3	
J1.....E2	TR17.....C3	
J2.....E2	TR18.....A3	
J3.....F3	TR19.....A3	
	TR20.....A3	



MAIN PCB P2059A50IA

PRINCIPAL PARTS LOCATION

ICS

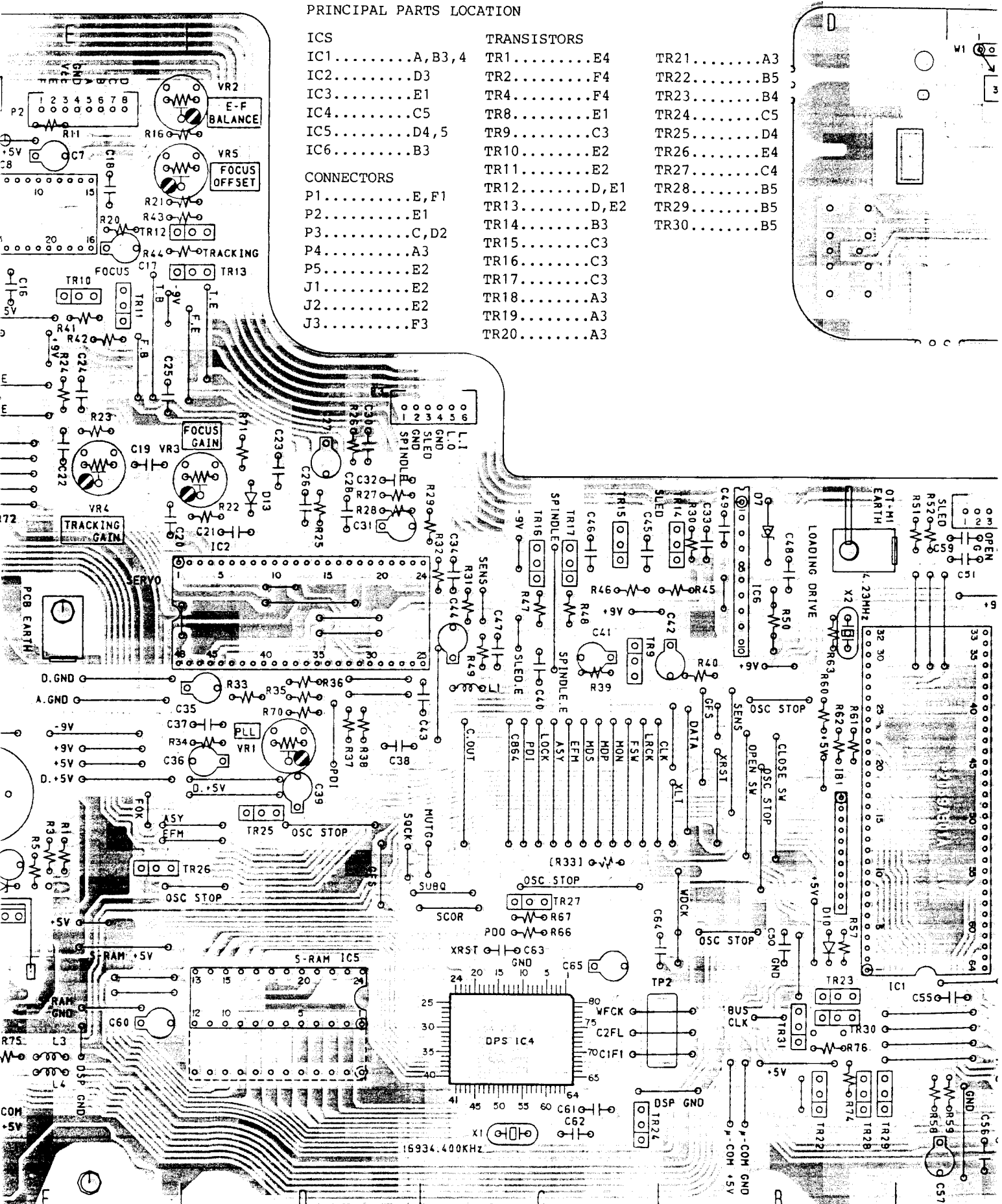
- IC1.....A, B3, 4
- IC2.....D3
- IC3.....E1
- IC4.....C5
- IC5.....D4, 5
- IC6.....B3

CONNECTORS

- P1.....E, F1
- P2.....E1
- P3.....C, D2
- P4.....A3
- P5.....E2
- J1.....E2
- J2.....E2
- J3.....F3

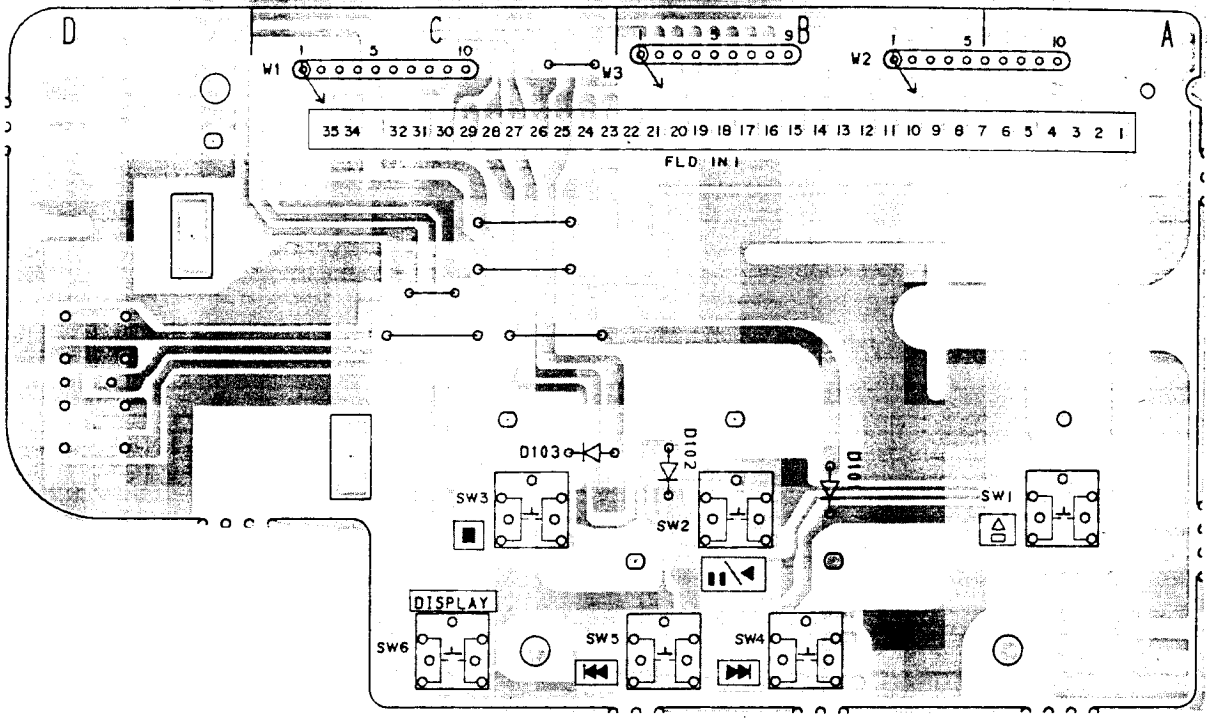
TRANSISTORS

- TR1.....E4
- TR2.....F4
- TR4.....F4
- TR8.....E1
- TR9.....C3
- TR10.....E2
- TR11.....E2
- TR12.....D, E1
- TR13.....D, E2
- TR14.....B3
- TR15.....C3
- TR16.....C3
- TR17.....C3
- TR18.....A3
- TR19.....A3
- TR20.....A3
- TR21.....A3
- TR22.....B5
- TR23.....B4
- TR24.....C5
- TR25.....D4
- TR26.....E4
- TR27.....C4
- TR28.....B5
- TR29.....B5
- TR30.....B5

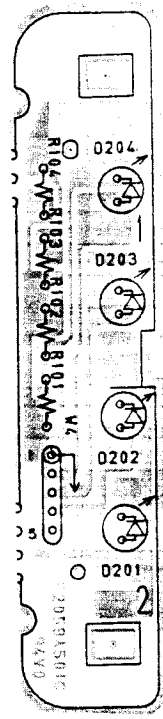
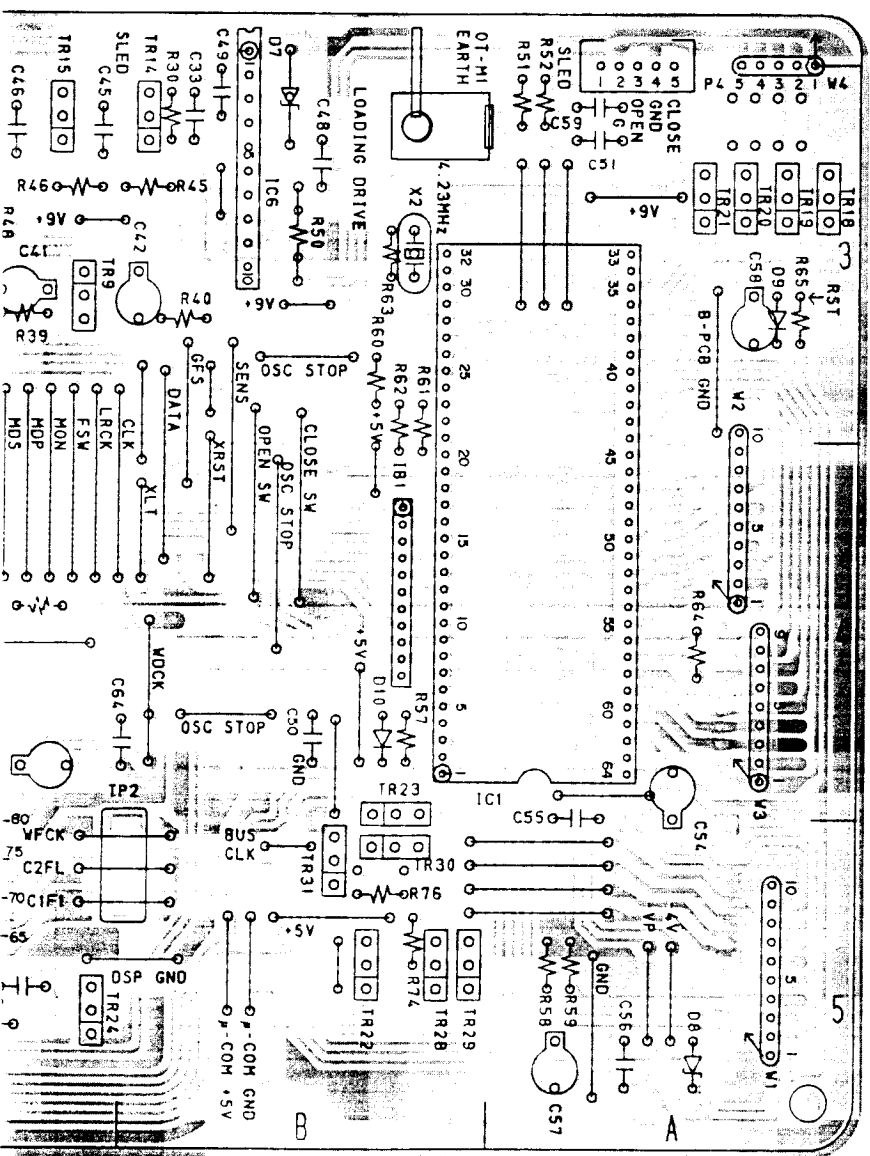


MAIN PCB P2059A501A

- .E4 TR21.....A3
- .F4 TR22.....B5
- .F4 TR23.....B4
- .E1 TR24.....C5
- .C3 TR25.....D4
- .E2 TR26.....E4
- .E2 TR27.....C4
- .D,E1 TR28.....B5
- .D,E2 TR29.....B5
- .B3 TR30.....B5
- .C3
- .C3
- .C3
- .A3
- .A3
- .A3



FRONT PCB P2059A501B

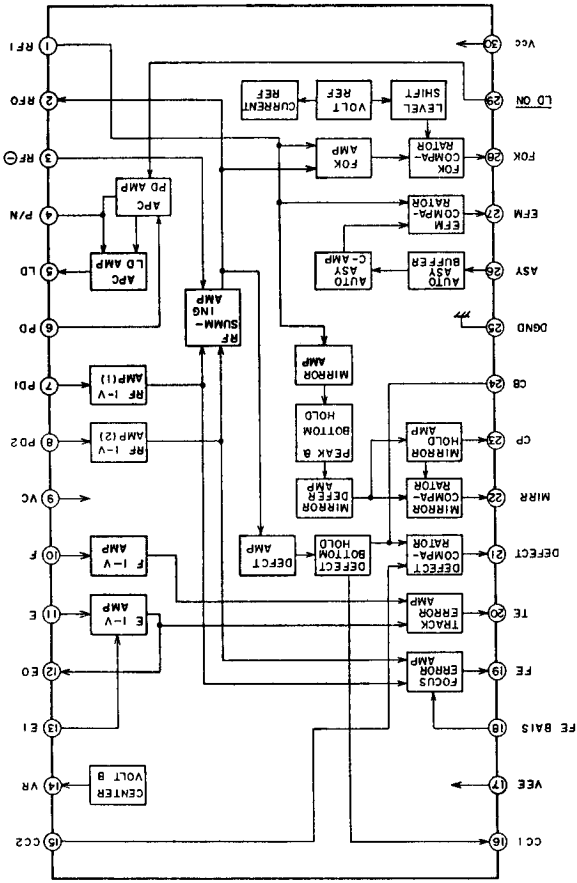


LED PCB P2059A501C

For Service Manuals Contact  
**MAURITRON TECHNICAL SERVICES**  
 8 Cherry Tree Rd, Chinnor  
 Oxon OX9 4QY  
 Tel:- 01844-351694 Fax:- 01844-352554  
 Email:- enquiries@mauritron.co.uk

WARNING: ⚠ INDICATES SAFETY CRITICAL COMPONENTS. FOR CONTINUED SAFETY, REPLACE SAFETY CRITICAL COMPONENTS ONLY WITH MANUFACTURER'S RECOMMENDED PARTS.  
 AVERTISSEMENT: ⚠ IL INDIQUE LES COMPOSANTS CRITIQUES DE SÉCURITÉ. POUR MAINTENIR LE DEGRÉ DE SÉCURITÉ DE L'APPAREIL, NE REMPLACER QUE DES PIÈCES RECOMMANDÉES PAR LE FABRICANT

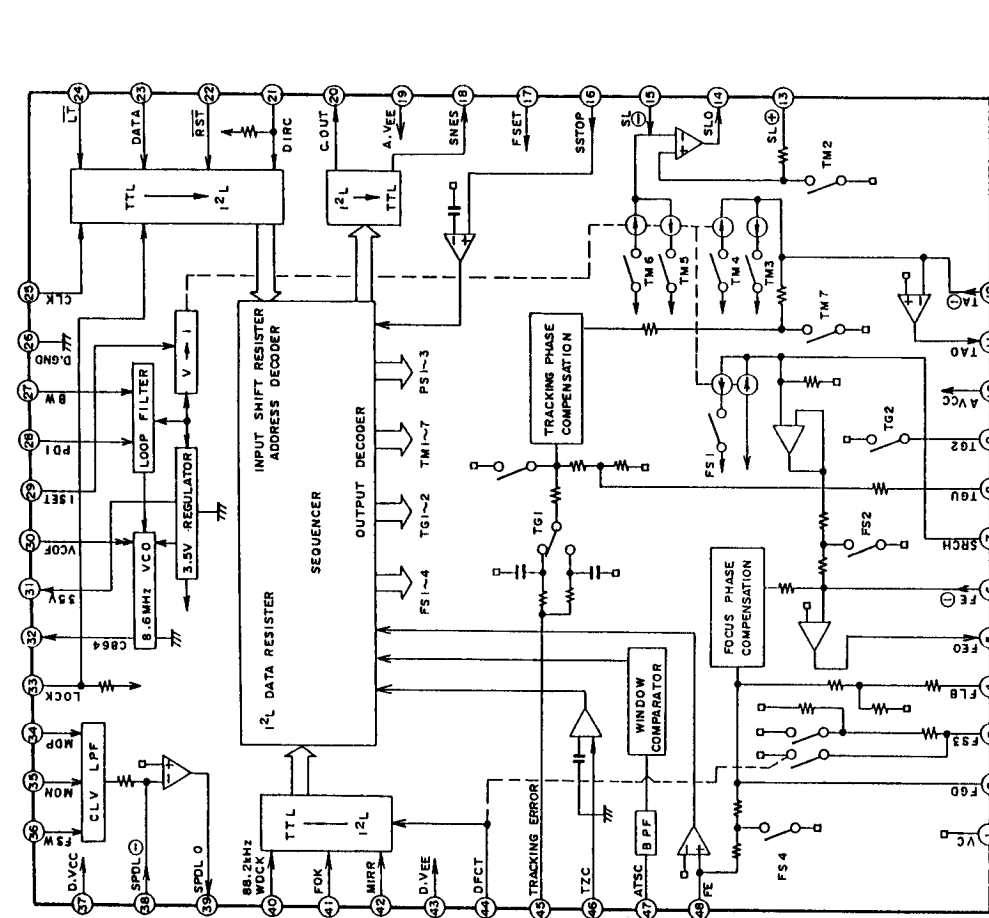
CXA1081 (RF AMPLIFIER)



CXA1081 (RF AMPLIFIER)

PIN NO.	SYMBOL	I/O	FUNCTION
1	RF1	I	RF SIGNAL FROM SUMMING AMP
2	RF0	O	RF SIGNAL OUT (EYE PATTERN CHECK POINT)
3	RF-	I	FEED BACK TO SUMMING AMP
4	P/N	I	NC
5	LD	O	AUTO POWER CONTROL OUT (TO LASER DIODE)
6	PD1	I	A+C SIGNAL RF I-V AMP IN
7	PD2	I	B+D SIGNAL RF I-V AMP IN
8	VC	I	GND
9	F	I	TRACKING DIODE SIGNAL RF I-V AMP IN (F)
10	E	I	TRACKING DIODE SIGNAL RF I-V AMP IN (E)
11	E0	O	RF I-V AMP (E) OUT
12	E1	O	FEED BACK TO RF I-V AMP (E)
13	VR	I	NC
14	CC1	O	DEFECT BOTTOM HOLD IN
15	CC2	O	DEFECT BOTTOM HOLD OUT
16	VEE	I	-B
17	F·EBIAS	I	FOCUS OFF-SET VOLTAGE IN
18	FE	O	FOCUS ERROR OUT
19	TE	O	TRACKING ERROR OUT
20	DEFECT	O	DEFECT COMPALATOR OUT
21	MIRR	O	MIRROR COMPALATOR OUT
22	CP	I	CONNECT MIRROR HOLD CONDENSER
23	CB	I	CONNECT BOTTOM HOLD CONDENSER
24	DGND	I	GND
25	ASY	I	AUTO ASYMMETRY SIGNAL IN
26	EFM	O	EFM COMPALATOR OUT
27	LDON	O	FOCUS OK COMPALATOR OUT
28	FOK	O	LASER DIODE ON/OFF CONTROL IN
29	VCC	I	+B
30			

CXA1082BS (SERVO SIGNAL PROCESSOR)



CXA1082BS (SERVO SIGNAL PROCESSOR)

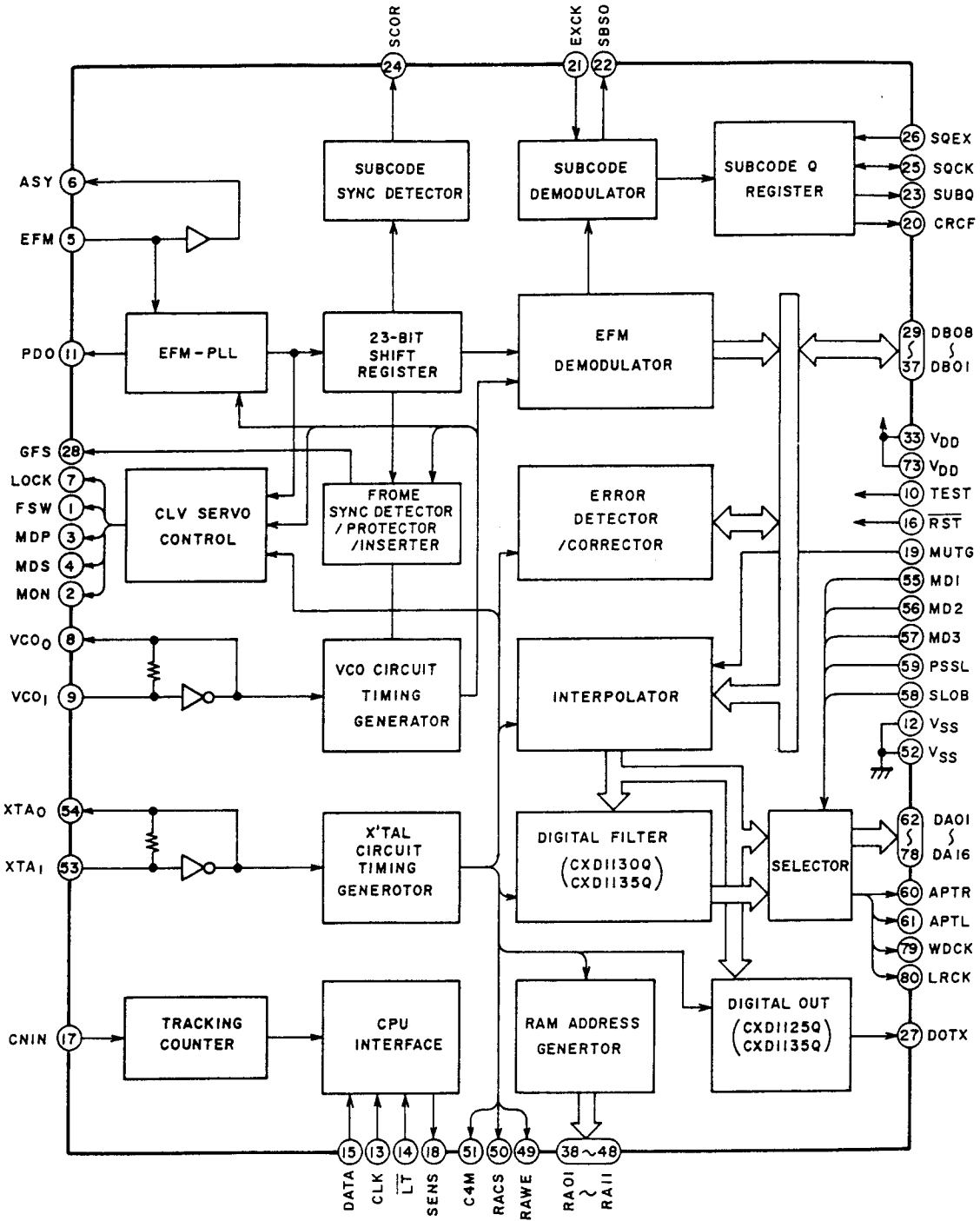
PIN NO.	SYMBOL	I/O	DESCRIPTION
1	VC	—	GND (0V)
2	FGD	—	Connect condenser for Focus servo gain control.
3	FS3	—	Focus servo gain select.
4	FLB	—	Connect condenser for Focus servo correction.
5	FE0	O	Focus drive output.
6	FE-	I	FOCUS AMP. Inverting input.
7	SRCH	—	Connect condenser for Focus search wave.
8	TGU	—	Connect condenser for Tracking gain select.
9	TG2	—	Connect condenser for Tracking gain select.



PIN NO.	SYMBOL	I/O	DESCRIPTION
10	A.VCC	—	+5V
11	TA0	O	Tracking drive output.
12	TA ⊖	I	Tracking AMP. Inverting input.
13	SL ⊕	I	Slide motor non-inverting input
14	SLO	O	Slide motor drive output.
15	SL ⊖	I	Slide AMP. inverting input.
16	SSTOP	I	Not use (Holed "H" level).
17	FSET	I	Focus, Tracking compensation and CLV. LPF set up.
18	SENS	O	FZC. AS. TZC. SSTOP and $\overline{\text{BUSY}}$ output.
19	A. VEE	—	-5V.
20	C.OUT	O	Track count signal output.
21	DIRC	—	Not used
22	$\overline{\text{RST}}$	I	$\overline{\text{RESET}}$ Input.
23	DATA	I	Data signal input from CPU.
24	$\overline{\text{LT}}$	I	Lutch signal input from CPU.
25	CLK	I	Clock signal input from CPU.
26	D.GND	—	GND (0V).
27	BW	I	Connect condenser for Loop filter.
28	PDI	I	PDO signal from IC3 CXD1135Q (Pin 11).
29	ISET	I	Focus search, Track jump and slide kick current input.
30	VCOF	I	Connect register for VCO frequency.
31	3.5V	O	+3.5V REG. output.
32	C864	O	8.64 MHz VCO output.
33	LOCK	I	LOCK signal from IC3 CXD1135Q (Pin 7)
34	MDP	I	MDP signal from IC3 CXD1135Q (Pin 3)
35	MON	I	MON signal from IC3 CXD1135Q (Pin 2)
36	FSW	I	Connect condenser for CLV servo error signal LPF.
37	DVcc	—	+5V
38	SPDL ⊖	I	Spindle drive AMP. inverting input.
39	SPDLO	I	Spindle drive output.
40	WDCK	I	Auto sequence clock signal input (88.2 kHz)
41	FOK	I	Focus OK signal input.
42	MIRR	I	MIRR signal input.
43	DVEE	—	-5V
44	DFCT	I	Defect signal input "H" active.
45	TE	I	Tracking error signal input.
46	TZC	I	Tracking zero cross comparator input.
47	ATSC	I	ATSC detect window comparator input.
48	FE	I	Focus error signal input.

For Service Manuals Contact  
**MAURITRON TECHNICAL SERVICES**  
8 Cherry Tree Rd, Chinnor  
Oxon OX9 4QY  
Tel:- 01844-351694 Fax:- 01844-352554  
Email:- enquires@mauritron.co.uk

# CXD1125Q (DIGITAL SIGNAL PROCESSOR)



For Service Manuals Contact  
**MAURITRON TECHNICAL SERVICES**  
 8 Cherry Tree Rd, Chinnor  
 Oxon OX9 4QY  
 Tel:- 01844-351694 Fax:- 01844-352554  
 Email:- enquiries@mauritron.co.uk

CXD1125Q (DIGITAL SIGNAL PROCESSOR)

No. "	Symbol	I/O	Description
1	FSW	O	Spindle motor filter switching control
2	MON	O	Spindle motor ON/OFF control
3	MPD	O	Spindle motor speed and phase control
4	MDS	O	Spindle motor speed control
5	EFM	I	EFM signal input
6	ASY	O	EFM signal slice level control
7	LOCK	O	Slide motor over reach guard signal output
8	VCOO	O	VCO output f=8.6436 MHz
9	VCOI	I	VCO input
10	TEST	I	OV (GND)
11	PDO	O	Phase comp.output
12	VSS	—	GND (OV)
13	CLK	I	Clock signal from CPU
14	$\overline{L\bar{T}}$	I	Lutch signal from CPU
15	DATA	I	Serial data from CPU
16	$\overline{RST}$	I	RESET input "L" reset
17	CNIN	I	Tracking pulse input (5V)
18	SENS	O	Output of CPU interface
19	MUTG	I	Mute control signal input
20	CRCF	O	CRC check output of the subcode Q "L" detect error
21	EXCK	I	NOT USE
22	SBSO	O	NOT USE
23	SUBQ	O	Subcode Q output
24	SCOR	O	Subcode sync detection output
25	SQCK	I/O	Clock signal for subcode Q
26	SQEX	I	Select input of CQCK (+5V)
27	DOTX	O	Digital output
28	GFS	O	"H" frame sync lock "L" frame sync unlock
29	DB08	I/O	Data 8 (MSB) Data Bus line for the EXT.RAM (LC3517BS-15)
30	DB07	I/O	Data 7 Data bus line for the EXT.RAM (LC3517BS-15)
31	DB06	I/O	Data 6 Data Bus line for the EXT.RAM (LC3517BS-15)
32	DB05	I/O	Data 5 Data Bus line for the EXT.RAM (LC3517BS-15)
33	VDD	—	+5V
34	DB04	I/O	Data 4 Data Bus line for the EXT.RAM (LC3517BS-15)
35	DB03	I/O	Data 3 Data Bus line for the EXT.RAM (LC3517BS-15)
36	DB02	I/O	Data 2 Data Bus line for the EXT.RAM (LC3517BS-15)
37	DB01	I/O	Data 1 (LSB) Data Bus line for the EXT.RAM (LC3517BS-15)
38	RA01	O	ADDR01 (LSB) Address signal output for the EXT. RAM (LC3517BS-15)
39	RA02	O	ADDR02 Address signal output for the EXT. RAM (LC3517BS-15)
40	RA03	O	ADDR03 Address signal output for the EXT. RAM (LC3517BS-15)

No.	Symbol	I/O	Description	
41	RA04	O	ADDR04	Address signal output for the EXT. RAM (LC3517BS-15)
42	RA05	O	ADDR05	Address signal output for the EXT. RAM (LC3517BS-15)
43	RA06	O	ADDR06	Address signal output for the EXT. RAM (LC3517BS-15)
44	RA07	O	ADDR07	Address signal output for the EXT. RAM (LC3517BS-15)
45	RA08	O	ADDR08	Address signal output for the EXT. RAM (LC3517BS-15)
46	RA09	O	ADDR09	Address signal output for the EXT. RAM (LC3517BS-15)
47	RA10	O	ADDR10	Address signal output for the EXT. RAM (LC3517BS-15)
48	RA11	O	ADDR11 (MSB)	Address signal output for the EXT. RAM (LC3517BS-15)
49	RAWE	O	Write enable signal output "L" active	
50	RACS	O	Chip select signal output "L" active	
51	C4M	O	1/4X'tal OSC.output (f=4.2336MHz)	
52	Vss	—	GND(0V)	
53	XTAI	I	X'tal OSC. input (f= 16.9344MHz)	
54	XTAO	O	X'tal OSC.output (f= 16.9344MHz)	
55	MD1	I	Mode select input 1 0V (GND)	
56	MD2	I	Mode select input 2 0V (GND)	
57	MD3	I	Mode select input 3 0V (GND)	
58	SLOB	I	0V (GND)	
59	PSSL	I	0V (GND)	
60	APTR	O	Aperture correction signal output "H" R-channel	
61	APTL	O	Aperture correction signal output "H" L-channel	
62	C1F1	O	NOT USE	
63	C1F2	O	TP-C1F2	
64	C2F1	O	NOT USE	
65	C2F2	O	NOT USE	
66	C2FL	O	TP-CSFL	
67	C2P0	O	NOT USE	
68	RFCK	O	NOT USE	
69	WFCK	O	TP-WFCK	
70	$\overline{\text{PLCK}}$	O	NOT USE	
71	UGFS	O	NOT USE	
72	GTOP	O	NOT USE	
73	VDD	—	+5V	
74	RA0V	O	NOT USE	
75	4CLR	O	NOT USE	
76	$\overline{\text{C210}}$	O	$\overline{\text{C210}}$ INV.C210 (Pin 77)	f=2.1168MHz
77	C210	O	NOT USE	
78	DATA	O	Data output	
79	WDCK	O	Word clock output	88.2kHz strobe
80	LRCK	O	NOT USE (L-ch, R-ch clock output)	

For Service Manuals Contact  
**MAURITRON TECHNICAL SERVICES**  
8 Cherry Tree Rd, Chinnor  
Oxon OX9 4QY  
Tel:- 01844-351694 Fax:- 01844-352554  
Email:- enquiries@mauritron.co.uk



Pin No.	SYMBOL	I/O	FUNCTIONS
1	S3	O	FLD segment drive output
2	S2	O	
3	S1	O	
4	S0	O	
5	OPEN SW	I	Disc tray open detection switch input
6	CLK	O	Clock output for LSIs
7	DATA	O	Serial data output for LSIs
8	CLOSE SW	I	Disc tray close detection switch input
9	BUS CLK	I	Clock input
10	SCOR	I	Sub code request input
11	SUBQ	I	Sub code-Q data input
12	SENS	I	SENS signal input from IC2
13	CRCF	I	Input of result of sub code-Q error check (CRC)
14	FOK	I	Input of focus OK signal
15	GFS	I	Input of GET FLAME SYNC signal
16	BUS DATA	I	Data input
17	XLT	O	Latch control data output
18	SQCK	O	Reading clock output for sub code-Q
19	BUS CLOCK	O	Bus clock output
20	BUS DATA	O	Bus data output
21	KEY 1	I	Key return 1
22	KEY 2	I	Key return 2
23	SLED IN SW	I	Pick up block innermost detection switch input
24	OSC STOP	O	VCO OSC stop control signal output
25	XRST	O	Reset output for LSIs. H : OSC stop
26	MUTG	O	Mute control output. H : Mute on
27	F OUT	O	Direction control output for loading motor drive IC BA6029AN
28	LASER ON/OFF	O	Laser diode on/off control output. H : Laser on
29	R OUT	O	Direction control output for loading motor drive IC BA6029AN
30	X 1	I	Main clock input
31	X 2	O	Main clock output
32	Vss		GND
33	XT 1		Not used
34	XT 2		Not used
35	LED 1	O	Optical link 1 LED control output. H : LED light
36	LED 2	O	Optical link 2 LED control output. H : LED light
37	LED 3	O	Optical link 3 LED control output. H : LED light
38	LED 4	O	Optical link 4 LED control output. H : LED light
39	RESET	I	Reset signal input
40	1G	O	FLD digit control output  For Service Manuals Contact <b>MAURITRON TECHNICAL SERVICES</b> 8 Cherry Tree Rd, Chinnor Oxon OX9 4QY Tel:- 01844-351694 Fax:- 01844-352554 Email:- enquiries@mauritron.co.uk
41	2G	O	
42	3G	O	
43	4G	O	
44	5G	O	
45	6G	O	
46	7G	O	
47	8G	O	
48			Not used
49			Not used
50	S15	O	FLD segment control output
51	S14	O	
52	S13	O	
53	S12	O	
54	S11	O	
55	S10	O	
56	VOL AD		-30 V
57	VP PRE		- 4 V
58	S9	O	FLD segment control output
59	S8	O	
60	S7	O	
61	S6	O	
62	S5	O	
63	S4	O	
64	Vdd		

# ABBREVIATIONS (COMPACT DISC)

ABBREVIATION	EXPLANATION	ABBREVIATION	EXPLANATION
A-D	Analog to Digital (Convertor)	Mb	Mega Bits
ADC	Analog to Digital (Convertor)	MDA	Motor Drive Amplifier
BCD	Binary Code Decimal	MFM	Modified Frequency Modulation
BPI	Bits per Inch	MM	Mono-stable Multivibrator
CD	Compact Disc	M <sup>2</sup> FM	Modified Modified Frequency Modulation
CIRC	Cross Interleaving & Reed Solomon Coding	MOD2	Modulo 2 (Addition)
CLV	Constant Linear Velocity	MP	Microprocessor
CP	Clock Pulses	MSB	Most Significant Bit
CRCC	Cyclic Redundancy Check Codes	NA	Numerical Aperture
D Level	Decision Level	NRZ	Non Return to Zero
D-A	Digital to Analog (Convertor)	NRZ-1	Non Return to Zero Inverted
DAC	Digital to Analog (Convertor)	P	Parity Data
DAD	Digital Audio Disc	PAM	Pulse Amplitude Modulation
DEM	Dynamic Element Matching	PCM	Pulse Code Modulation
DPD	Differential Phase Detection	PD	Phase Detector
DSV	Digital Sum Value	PE	Phase Encode
EFM	Eight to fourteen Modulation	PLL	Phase Locked Loop
EX-OR	EXclusive OR	PNM	Pulse Number Modulation
FCI	Flux Changes per Inch	PPM	Pulse Phase Modulation
FIR	Finite Impulse Response	PWM	Pulse Width Modulation
FP	Front Pulse	Q	Parity Data
FPG	Front Pulse Gate	R, R <sub>1</sub> , R <sub>2</sub> , etc.	Data for Right Channel
f	Frequency of Sampling	RAM	Random Access Memory
GF	Galois Field	RPG	Rear Pulse Gate
H & V (Parity)	Horizontal & Vertical	SCOOP	Self Coupled Optical Pick-up
IIR	Infinite Impulse Response	S & H	Sample & Hold
kb	Kilo Bits	S/N	Signal to Noise Ratio
L, L <sub>1</sub> , L <sub>2</sub> , etc.	Data for Left Channel	SSG	Standard Signal Generator
LPF	Low Pass Filter	SYSCON	SYSTEM CONTROL
LSB	Least Significant Bit		

For Service Manuals Contact  
**MAURITRON TECHNICAL SERVICES**  
 8 Cherry Tree Rd, Chinnor  
 Oxon OX9 4QY  
 Tel:- 01844-351694 Fax:- 01844-352554  
 Email:- enquiries@mauritron.co.uk

## AKAI ELECTRIC CO., LTD.

12-14, 2-Chome, Higashi-Kojija, Ohta-ku, Tokyo, Japan  
 SERVICE DEPARTMENT TEL:Tokyo (745)9884 TELEX:J26261  
 Printed No. 900406-A1-3200 Printed Date May 8, 1990

350 Printed in Japan