



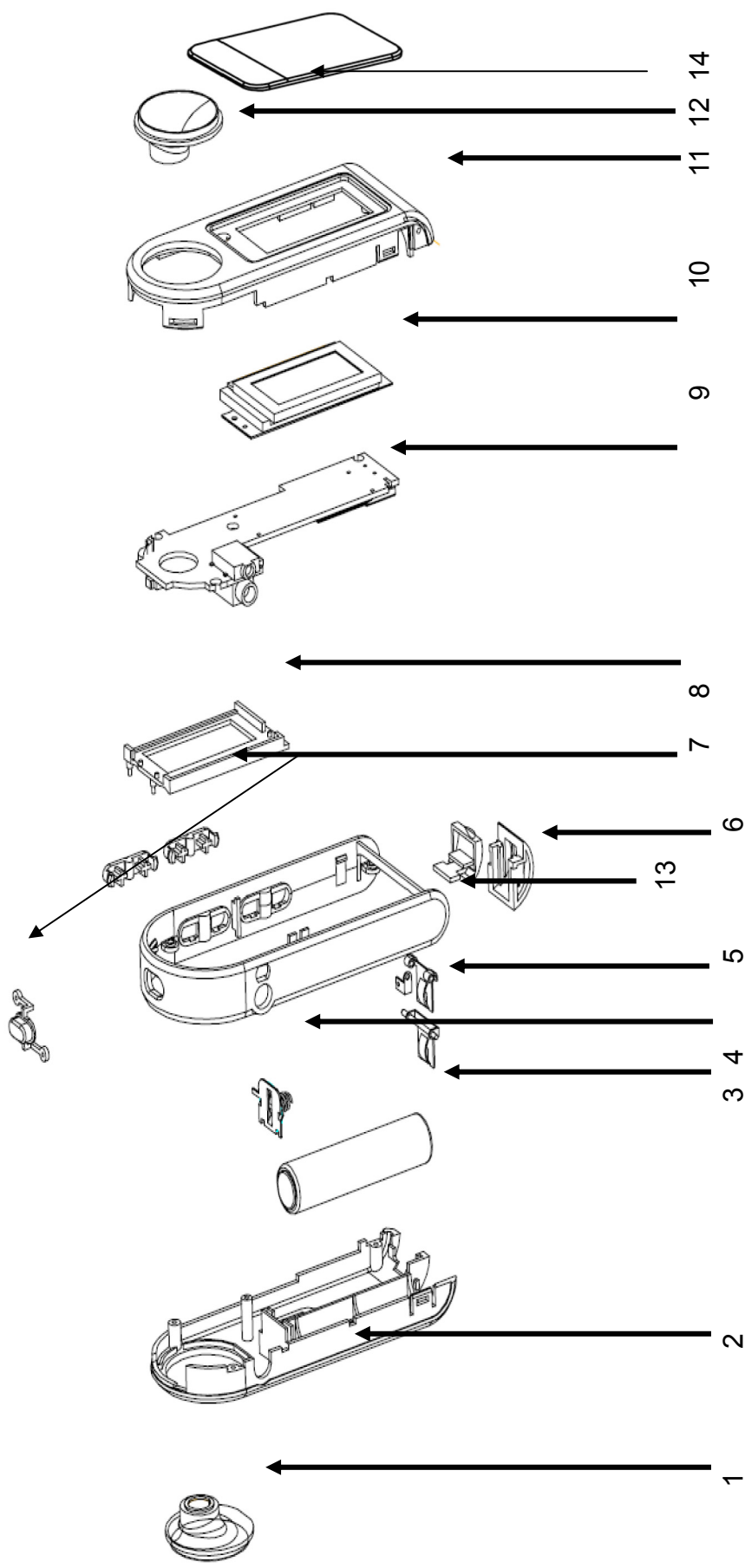
AKAI

MP3 PLAYER

Model:
MP-1500RC

SERVICE MANUAL





1	Decoration piece	8	LCD display ratchet
2	Bottom cabinet	9	PCB board
3	Battery	10	LCD mirror
4	Battery plate	11	Front cabinet
5	Battery plate	12	Decoration piece
6	Battery compartment	13	Middle panel
7	keys	14	Flash mirror

Model : MP-1500RC

FROM: R&D

NO.	PT_NR	Description of Materials	Specification	Dosage	LOCATION	REMARK
1	115-SYR50035-1	PCB BOARD	SY-R500 MAIN.P.C.B FR4 VER3 77*31*0.8MM	1	SKON-V MAIN PCB	4 LAYTER
2	115-SYR50035-4	PCB BOARD	SY-R500 LCD .P.C.B FR4 VER3 44*20*0.6MM	1	SKON-V LCD PCB	2 LAYTER
3	105-***SF208-1	FM MODUEL	SF-208 (FM TUN 87.5-108Mhz Stereo 11.5*11.5*2.5mm)	1	U3	FM module
4	105-STMP3520-1	IC	STMP3520 (或STM3502 \3505\3506) (TQFP 100PIN)	1	U1	
5	105-K9F5608U-1	IC	K9F5608UOM-YCBO FLASH(128MBit)SHANXING	1	IC1	
6	102-62003204-0	CERAMIC CAP.	20PF (+/- 5% 16V 0603)	2	C1 C2	
7	102-61023304-0	CERAMIC CAP.	1000PF (+/-10% 16V 0603)	2	C5 C6	
8	102-61033304-0	CERAMIC CAP.	0.01UF (+/-10% 16V 0603)	3	C15 C19 C53	
9	102-65633304-0	CERAMIC CAP.	0.056UF (+/-10% 16V 0603)	1	C31	
10	102-63323304-0	CERAMIC CAP.	0.0033UF (+/-10% 16V 0603)	2	C60 C61	
11	102-61043304-0	CERAMIC CAP.	0.1UF (+/-10% 16V0603)	29	C3-C4 C7-C11 C14 C18 C22-C25,C27 C28 C35 C54	
12	102-61043304-0	CERAMIC CAP.	0.1UF (+/-10% 16V0603)		C43 C45 C46 C55 C62 C64 C49~C51 C59 C38 C58	
13	102-62006204-0	CERAMIC CAP.	1UF (+/-10% 16V 0603)	6	C52 C56 C57 C13 C17 C41	
14	101-40000156-0	Chip Resistor	0 OHM +/-5% 25v 1/16W 0603	1	J2	
15	101-41000156-0	Chip Resistor	10 ohm +/-5% 25v 1/16w 0603	2	R7 R36	
16	101-42000156-0	Chip Resistor	20 ohm +/-5% 25v 1/16w 0603	2	R1 R9	
17	101-42200156-0	Chip Resistor	22 ohm +/-5% 25v 1/16w 0603	1	R42	
18	101-44700156-0	Chip Resistor	47 ohm +/-5% 25v 1/16w 0603	3	R33 R35 R37	
19	101-42010156-0	Chip Resistor	200 ohm +/-5% 25v 1/16w 0603	3	R16 R17 R24	
20	101-46210116-0	Chip Resistor	620 ohm +/-1% 25v 1/16w 0603	1	R4	
21	101-41020116-0	Chip Resistor	1 K ohm +/-1% 25v 1/16w 0603	2	R 2 3 R 2 9	
22	101-42220156-0	Chip Resistor	2K2 ohm +/-5% 25v 1/16w 0603	2	R22 R26	
23	101-44720156-0	Chip Resistor	4.7K ohm +/-5% 25v 1/16w 0603	5	R28 R31 R32 R2 R18	
24	101-41030156-0	Chip Resistor	10K ohm +/-5% 25v 1/16w 0603	10	R5 R6 R20 R21 R30 R34 R47 R48 R63 R12	
25	101-44730156-0	Chip Resistor	47K ohm +/-5% 25v 1/16w0603	11	R3 R8 R14 R19 R45 R55 R56 R57 R59 R60 R61	
27	102-41053408-0	CHIP TANTALUM CAP.	SMD 1UF/6.3V+/-20% (2012)	2	C39 C12	
28	102-42263409-0	CHIP TANTALUM CAP.	SMD 22UF/6.3V+/-20% 3216 type A	1	C36	
29	102-46863409-0	CHIP TANTALUM CAP.	SMD 47UF/6.3V+/-20% 3216 type A	4	C16 C20 C63 C40	
29	102-46863409-0	CHIP TANTALUM CAP.	SMD 68UF/6.3V+/-20% 3216 type A	1	C42	
30	102-41073410-0	CHIP TANTALUM CAP.	SMD 100UF/6.3V+/-20% 3528 type B	2	C32 C37	
31	103-BCB57B01-1	TRANSISTOR SMD	BCB57B(using 0603 0R resistor for replacement)	1	Q6(PNP)	
32	103-S8050C01-1	TRANSISTOR SMD	S8050C SOT-23 NPN	3	Q5 Q7 Q8	PNP
33	103-FDN33701-1	MOSFET	FDN337	1	Q3 Replace FDN337	N-MOS
34	111-10473000-A	CHIP INDUCTORES	4.7UH 4.7*3.2MM SMD	1	L1	SMD POWER INDUCTORES
35	111-10043010-C	CHIP INDUCTORES	390NH/100MHZ (high frequency inductors) 0603	6	L2 L3 L4 L6 L7 T7	WOUD CHIP INDUCTORES
36	109-10M07012-1	SWITCH	SMD M070-12 20P*0.5 H=4.0MM	1	J 1	
37	106-32400006-4	CRYSTAL	24 MHZ 2*6MM	1	Y1	
38	116-36351TAB-0	LED	6351TAB(ST7565IC)132*64(可?尺寸 L=23.5MM)	1	LCD1	132X32Matrix
39	139-52032LOD-0	E.L. PIECE	LED7 (132032 LOG)	1		
40	112-20ST0050-1	STEREO PHONE JACK	111-M ST-005 BLACK SMD	1	PHONE	1) 2.5MM SMD STREO JACK
41	112-2ST02010-1	LINE IN JACK	ST-0201 6PIN BLACK	1	LINE	
42	108-11050405-2	FPC WIARE	11PIN PITCH=0.5 40.5*13.5*diameter 0.08MM	1		
43	109-2TS7035P-1	Push SWTICHES	(white switch in four feet) TS70-35PSM200 (ST-114A)	5	SW13 SW2 SW4 SW6 SW5	
44	114-2T3535P6-0	MICROPHONE	PFN-T3535P-C1033 (DIPΦ=3.5*H3.5)	1	MIC1	***

Model : MP-1500RC

FROM: R&D

NO.	PT_NR	Description of Materials	Specification	Dosage	LOCATION	REMARK
45	112-45075BM9-1	USB JACK	5075BMR-05-0SM 5PIN SMD	1	USB	
PLASTICY PART(plastic parts) :						
46	000-50001101-1	TOP PANEL	SY-R500 ABS	1		
47	000-50003101-1	BOTTOM CABINET	SY-R500 ABS	1		
48	000-50002101-1	MIDDLE CABINET	SY-R500 ABS	1		
49	000-50010101-1	BATTERY DOOR (1)	SY-R500 ABS	1		
50	000-50004507-2	DISPLAY LENS (2)	SY-R500 AS	1		
51	000-50005101-1	PULSH KNOB (1)	SY-R500 ABS	2		
52	000-50005101-2	PULSH KNOB (2)	SY-R500 ABS	1		
53	000-50007114-1	FUNCTION KNOB (ABS)	HOLD PM525 KNOB (ABS)	1		
54	120-OKA14050-4	SCREW	KA1.4*5	4		
55	120-OKA14050-4	SCREW	KA1.4*3	2		
56	119-R5000501-4	BATTERY+ (SPRING)	Copper plating	1		
57	119-R5000502-3	BATTERY- (SPRING)	Metallic plating	1		
58	119-R5000503-4	BATTERY- (SPRING)	Copper plating	1		
59	119-R5000300-3		Metallic plating	1		
60	119-R5000503-3	BATTERY- (SPRING)	Plating	1		
PEAKING PART(Packaging parts) :						
61	113-SX3705-03	ST. EARPHONE	ASSY SX-3705-03	1		
62	132-YR500000-1	GUARANTEE CARD	SY-R500	1		
63	122-YR500000-1	Instruction Sheet	SY-R500	1		
64	128-S0403304-0	USB CORD	BIG 4P&5PIN YTDUS04-033	1		
65	128-04100005-0	LINE IN CORD	Φ =2.5&Φ =3.5MM 3PIN L=1M	1		
66	134-00015002-0	QC PASS	R=15MM &R=8MM	1		
67	123-SYR50007-0	NO. LABEL	SY-R500	1		
68	123-SYR50002-0	BACK LABEL	SY-R500	1		
69	113-SX370503-0	ST. EARPHONE	SX-3705-03	1		
70	143-SYR50033-0	DISC	8.0 CM DICS	1		
71	121-SYR50021-1	GIFT BOX	SY-R500	1		
72	124-SYR500001-1	EXPORT CARTON	SY-R500	1		