

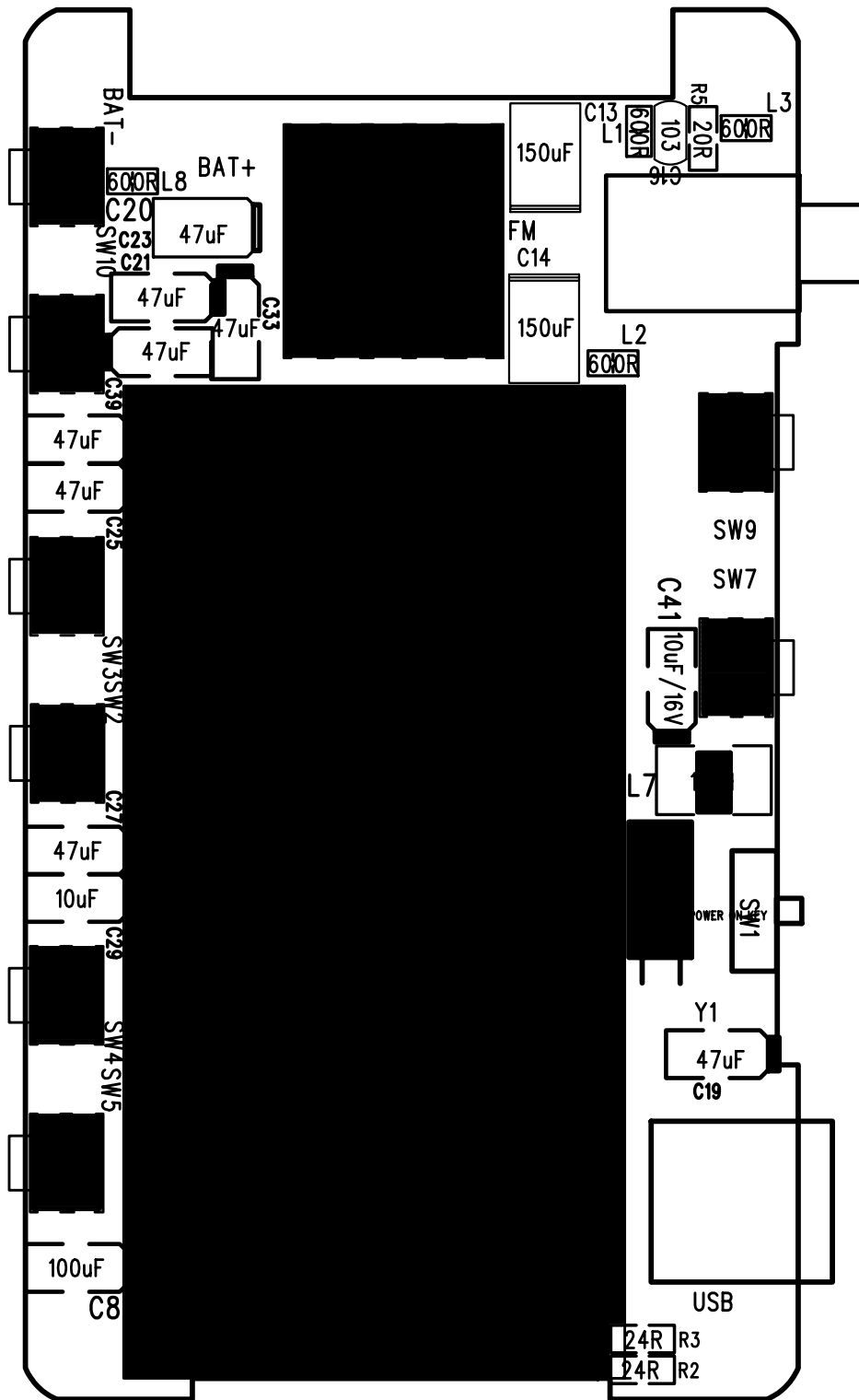


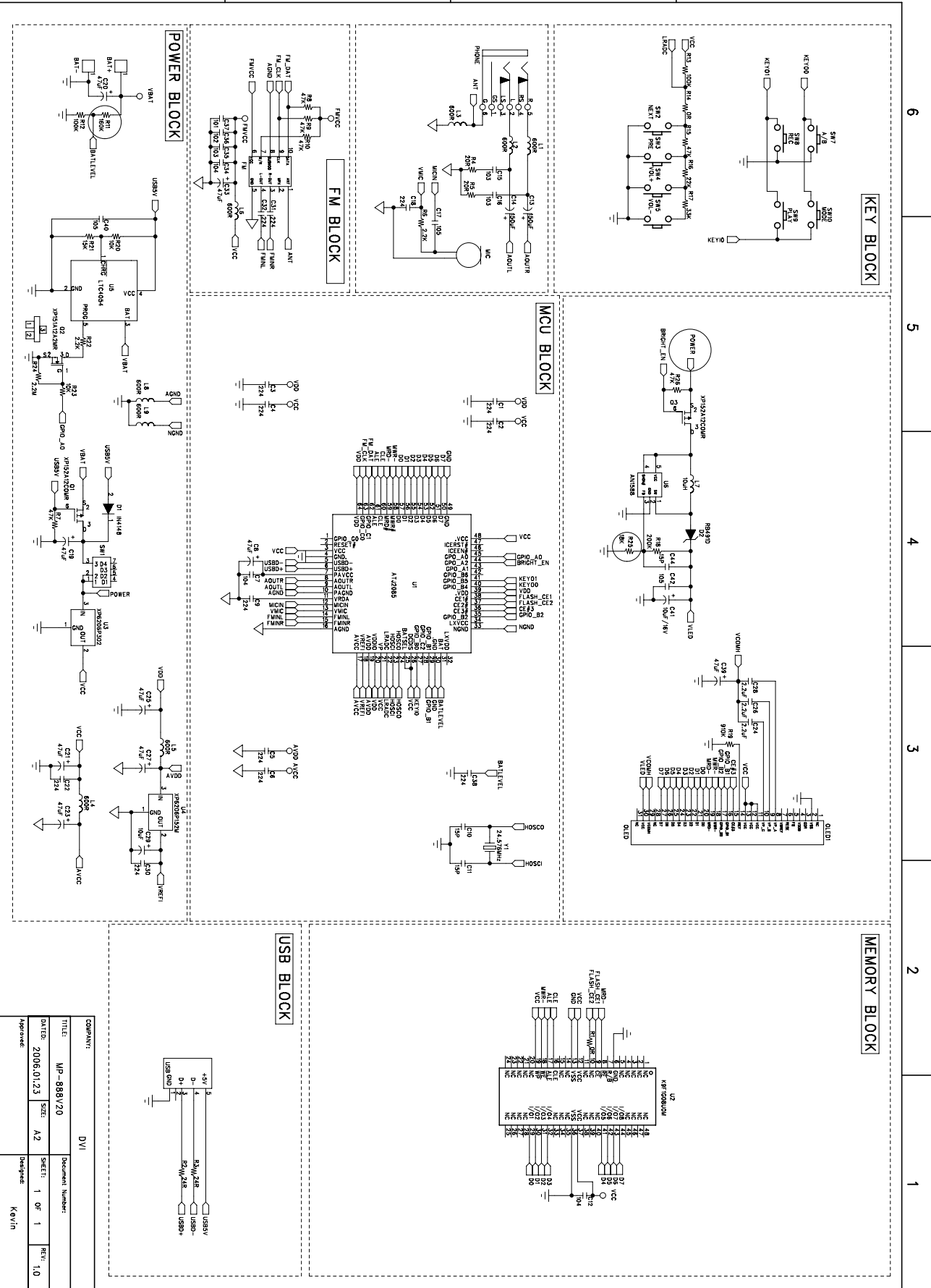
AKAI

MP3-PLAYER

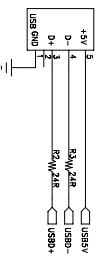
Model:
MP-1780RD

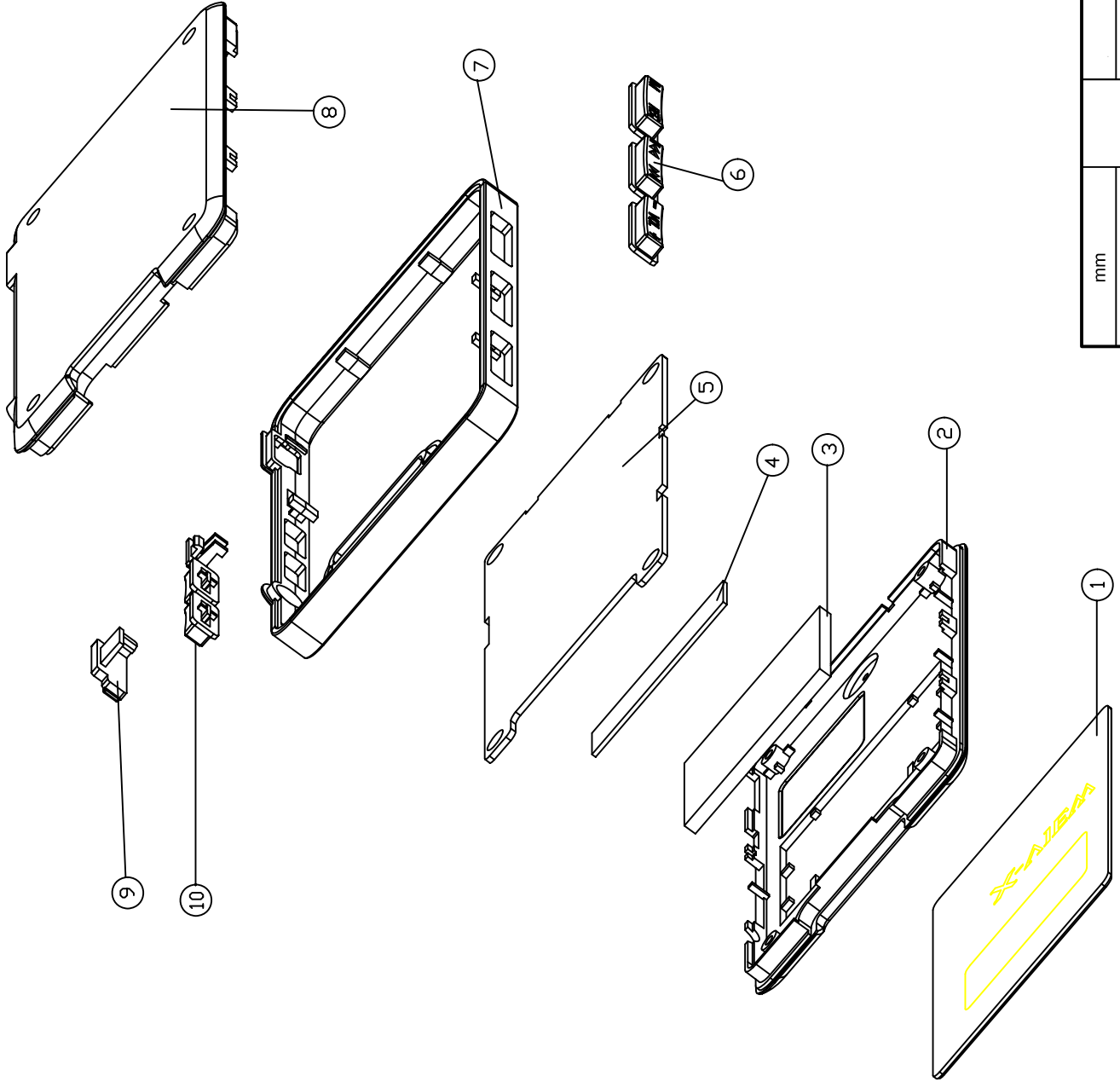
SERVICE MANUAL





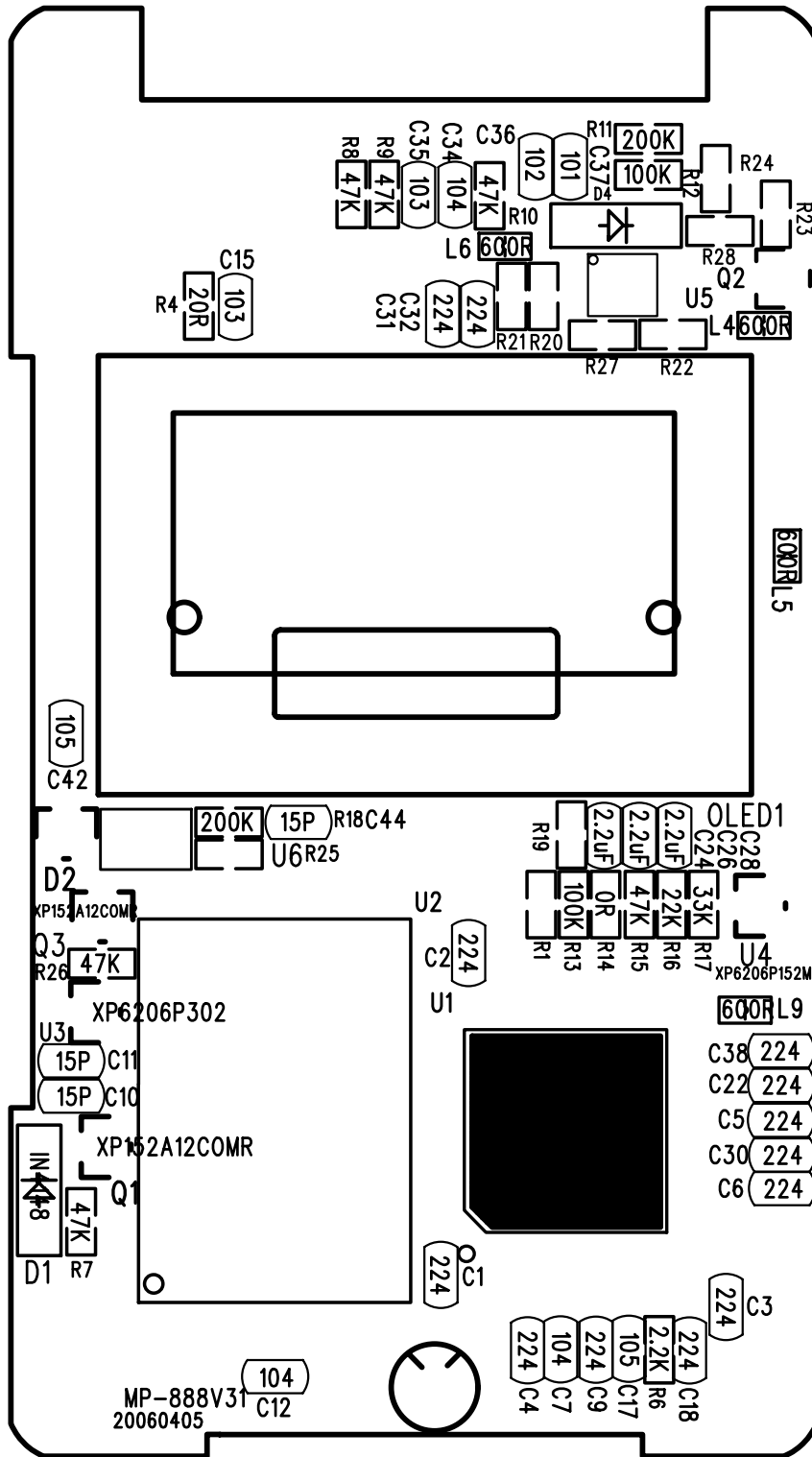
COMPANY:	DVI		
TITLE:	MP-888120	Document number:	
DATE:	2006.01.23	SIZE:	A2
Approved:		Sheet:	1 of 1
		REV:	1.0
		Designer:	Kevin





1	LCD LENS
2	facepiece
3	LCD
4	Sponge
5	PCB
6	volume and up-down press
7	center button shell
8	USB cover
9	power and function press
10	power and function press

mm					
	0.X=±0.10				
	0.XX=±0.05				MP-888
	X° =±0° 30'			R1	



MP-1780 RD (1G)

+++	203-00102-001		FM-102BC(10PIN)	PCS			1 FM		
+++	302-01550-000		15P/50V(0603)J	PCS			3 C44 C11 C10		
+++	302-10050-000		100P/50V(0603)J	PCS			1 C37		
+++	302-10250-000		102/50V(0603)J	PCS			1 C36		
+++	302-10350-000		103/50V(0603)J	PCS			3 C15 C35 C16		
+++	302-10450-000		104/50V(0603)J	PCS			3 C34 C12 C7		
+++	302-10550-000		105/50V(0603)J	PCS			2 C42 C17		
+++	302-22450-000		224/50V(0603)J	PCS			13 C31 C32 C4 C1 C9 C18 C3 C6 C30 C5 C22 C38 C2		
+++	302-22550-000		225/50V(0603)J	PCS			3 C24 C26 C28		
+++	304-01016-000		10 μ F/16V(M)3216	PCS			1 C39		
+++	304-01025-000		10 μ F/25V(M)3528	PCS			1 C41		
+++	304-01060-000		10 μ F/6V(M)3216	PCS			1 C29		
+++	304-04760-000		47 μ F/6V(M)3528	PCS			1 C20		
+++	304-04760-001		47 μ F/6V(M)3216	PCS			7 C33 C23 C21 C25 C27 C19 C8		
+++	304-10063-000		100 μ F/6.3V(M)3528	PCS			2 C13 C14		
+++	323-00003-000		0R (0603) J	PCS			2 R1 R14		
+++	323-01803-000		1.8R (0603) J	PCS			1 R28		
+++	323-02003-000		20R (0603) J	PCS			2 R4 R5		
+++	323-02403-000		24R (0603) J	PCS			2 R2 R3		
+++	323-10103-000		101 (0603) J	PCS			1 R20		
+++	323-10303-000		103 (0603) J	PCS			2 R24 R27		
+++	323-10403-000		104 (0603) J	PCS			2 R12 R21		
+++	323-10403-001		104 (0603) F	PCS			1 R13		
+++	323-18203-000		182 (0603) J	PCS			1 R23		
+++	323-20311-000		203 (R0603) 1/16 (J)	PCS			1 R25		
+++	323-20403-000		204 (0603) J	PCS			2 R18.R11		
+++	323-20503-000		205 (0603) J	PCS			1 R19		
+++	323-22203-000		222 (0603) J	PCS			1 R6		
+++	323-22303-001		223 (0603) F	PCS			1 R16		

+++	323-27303-000		273 (0603) F	PCS	1	R17
+++	323-47203-000		472 (0603) J	PCS	1	R7
+++	323-47303-000		473 (0603) J	PCS	5	R10 R8 R9 R22 R26
+++	323-47303-001		473 (0603) F	PCS	1	R15
+++	345-08550-000		8550C(SOT-23)	PCS	1	Q2
+++	347-00491-000		RB491D(SOT-23)	PCS	1	D2
+++	347-04148-000		IN4148 (0805)	PCS	1	D1
+++	347-05819-002		MMBT5819 (SOD123)	PCS	1	D4
+++	350-00010-003		10UH 0.7R/ ϕ =3mm, H=2mm	PCS	1	L7
+++	350-10060-000		100M/600R(0603)	PCS	8	L3 L1 L8-9 L4-6 L2
+++	356-00888-000		MP-888V31 67.5*37*0.8mm	PCS	1	
+++	382-00007-000		7P(SMD)	PCS	1	SW1
+++	390-00826-000		(826 4) SMD	PCS	8	SW2-5 SW7-10
+++	430-01937-000	IC	PJ1937BMR(SOT-32-5)	PCS	1	U6
+++	430-02085-000	IC	ATJ-2085(QFP)	PCS	1	U1
+++	430-02301-000	MOS	ST2301(SOT-23)	PCS	2	Q3 Q1
+++	430-06152-000	IC	XC6206P152MR(SOT-23)	PCS	1	U4
+++	430-06302-000	IC	XC6206P302MR(SOT-23)	PCS	1	U3
+++	430-07205-000	IC	VM7205(SMOP-8)	PCS	1	U5
+++	430-27088-000	IC	HY27UH088GDM-TCB(1GB)	PCS	1	U2
+++	430-27088-001	IC	HY27UH088G2M-TCB(1GB)	PCS	1	U2
+++	430-27088-002	IC	HY27UG088GDM-TCB(1GB)	PCS	1	U2
+++	430-27088-003	IC	HY27UG088G5M-TCB(1GB)	PCS	1	U2
+++	430-27088-004	IC	HY27UG088G2M-TCB(1GB)	PCS	1	U2
+++	430-98081-001	IC	K9K8G08UOM(1G)TSOP	PCS	1	U2
+++	430-98081-002	IC	K9K8G08UOA(1G)TSOP	PCS	1	U2
+++	430-98081-003	IC	K9W8G08U1M(1G)TSOP	PCS	1	U2
+++	528-00004-004		6P(SMD) ϕ 2.5(MP-888)	PCS	1	PHONE
+++	529-00000-011		USB (MP-816)SMD5PIN	PCS	1	USB
++	290-00888-002		MP-888V31 1G FM	PCS	1	
++	411-12864-000	LCD	OLED128*64(RGS1012806400W000)	PCS	1	
++	422-24576-001		24.576MHZ(2*6)DIP	PCS	1	

++	490-00515-000		(ϕ 5, 1.5mm)	PCS	1	
++	770-38223-000		MP-888 (382239)275mAH	PCS	1	
+	287-00888-006		MP-888V31(1G) FM	PCS	1	
+	540-17032-000		CB1.7*3 (ϕ 2.4)	PCS	4	
+	602-00888-000		MP-888	PCS	1	
+	641-30708-000		30*7mm 0.8mm	PCS	1	