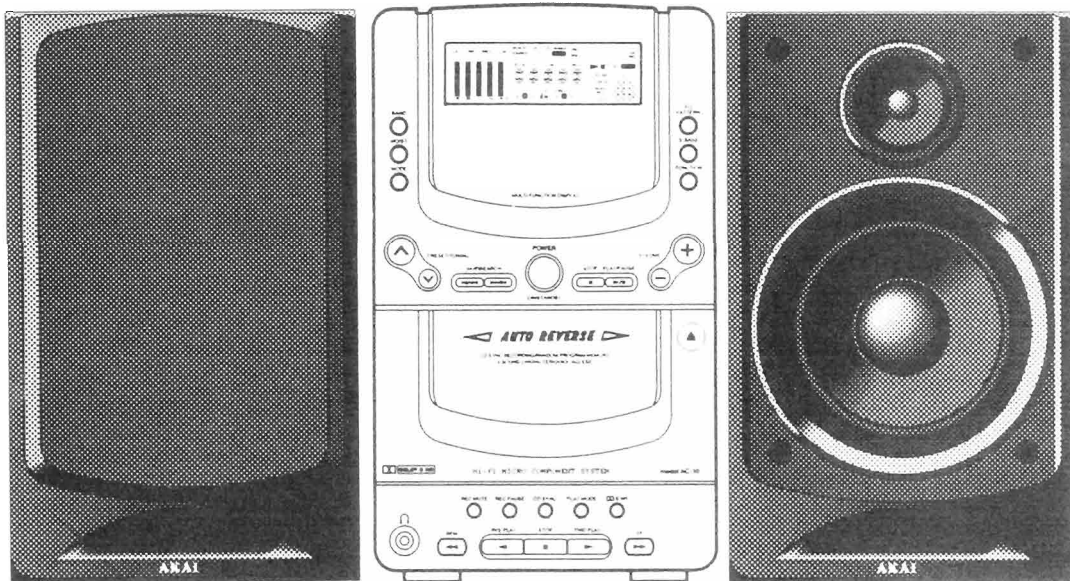


AKAI SERVICE MANUAL



HI-FI MICRO SYSTEM QX-10

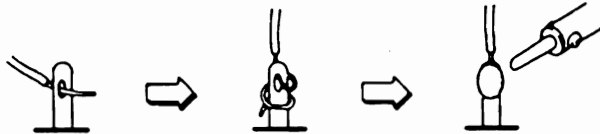
COMPACT
disc
DIGITAL AUDIO

- AC-10 MAIN (TUNER/AMP/CD/DECK) UNIT
- SR-10 SPEAKER SYSTEM

SAFETY INSTRUCTIONS

PRECAUTION DURING SERVICING

- Parts identified by the \blacktriangle (*) symbol are critical for safety. Replace them only with the parts number specified.
- In addition to safety, other parts and assemblies are specified for conformance with such regulations as those applying to spurious radiation. These must also be replaced only with the specified replacements.
Examples: RF converters, tuner units, antenna selector switches, RF cables, noise blocking capacitors, noise blocking filters, etc.
- Use specified internal wiring. Note especially:
 - 1) Wires covered with PVC tubing
 - 2) Double insulated wires
 - 3) High voltage leads
- Use specified insulating materials for hazardous live parts. Note especially:
 - 1) Insulation Tape
 - 2) PVC tubing
 - 3) Spacers (insulating barriers)
 - 4) Insulation sheets for transistors
 - 5) Plastic screws for fixing micro switches
- When replacing AC primary side components (transformers, power cords, noise blocking capacitors, etc.), wrap the ends of the wires securely around the terminals before soldering.



- Make sure that wires do not contact heat producing parts (heat sinks, oxide metal film resistors, fusible resistors, etc.)
- Check that replaced wires do not contact sharp edged or pointed parts.
- Also check areas surrounding repaired locations.
- Make sure that foreign objects (screws, solder droplets, etc.) do not remain inside the set.

MAKE YOUR CONTRIBUTION TO PROTECT THE ENVIRONMENT

Used batteries with the ISO symbol for recycling as well as small accumulators (rechargeable batteries), mini-batteries (cells) and starter batteries should not be thrown into the garbage can. Please leave them at an appropriate depot. All other household batteries can be thrown out with the household waste.



SAFETY CHECK AFTER SERVICING

After servicing, make measurements of leakage-current or resistance in order to determine that exposed parts are acceptably insulated from the supply circuit.

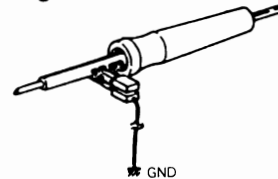
The leakage-current measurement should be done between accessible metal parts (such as chassis, ground terminal, microphone jacks, signal input/output connectors, etc.) and the earth ground through a resistor of 1500 ohms paralleled with a 0.15 μ F

capacitor, under the unit's normal working conditions. The leakage-current should be less than 0.5 mA rms AC. The resistance measurement should be done between accessible exposed metal parts and power cord plug prongs with the power switch (if included) "ON". The resistance should be more than 2.2 M Ohms.

PRECAUTIONS IN REPAIRING

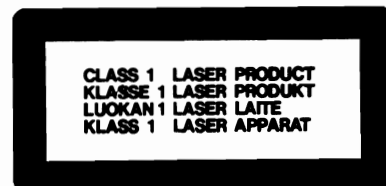
When repairing or adjusting the unit please note the following points.

- Do not put excessive pressure on the mechanical part (operation part), including the pick-up block, as extremely high mechanical precision is required in these parts.
- When the base is removed for repair or adjustment, make sure that are no metal objects in the narrow gap between the P.C. board or the mecha parts and the base.
- The Micro-Computer and the CD signal processing ICs can be damaged by static electricity or leakage from a soldering iron during repairing. While soldering, please take the precautions against leakage as in the illustration.

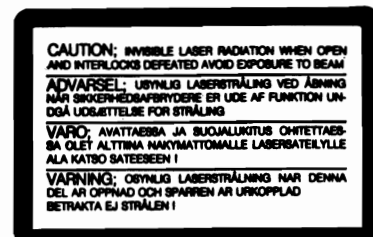


- Do not loosen any screws in the pick-up block. When handling the pick-up block, please refer to the points to NOTE when replacing the pick up block.
- TO avoid hazardous invisible Laser Radiation, DO NOT look at the Laser Beam (Objective lens) directly.
- On models for some countries, laser warning labels are affixed on the unit and inside of the unit, as shown below. For your safety, read these labels carefully when repairing or adjusting the unit.

(EUROPE, SCANDINAVIA, UK and AUSTRALIA)



Label affixed on the rear panel of the unit



Label affixed near the LASER pick up of the unit.

TABLE OF CONTENTS

MODEL: AC-10

1. SPECIFICATIONS	3~4
2. ADJUSTMENTS	5~10
3. WAVEFORM OF MAJOR CHECK POINTS.....	11~12
4 DESCRIPTION OF FUNCTIONS	13~18
5. TROUBLESHOOTING	19~23
6. BLOCK DIAGRAM	24
7. WIRING DIAGRAM	25
8. SCHEMATIC DIAGRAM	26~28
9. PCB LAYOUT	29~30
10 INTERNAL BLOCK DIAGRAM OF ICs	31~38
11. EXPLODED VIEW	39
12. PRINCIPAL PARTS LOCATION	40
13. ELECTRICAL PARTS LIST	41~60

MODEL: SR-10

1. SPECIFICATIONS	61
2. DRAWN/PARTS	62

SPECIFICATIONS

1. AMPLIFIER SECTION

① Output Power(6Ω, 2ch, THD 10%)	15W + 15W
② T.H.D	0.2%
③ Frequency Response(3dB down)	20Hz~30kHz
④ Signal-to-noise Ratio	90dB
⑤ Input Impedance	47kΩ
⑥ Input Sensitivity	400mV
⑦ Cross Talk 100Hz/1kHz/10kHz	50dB/50dB/40dB

2. TUNER SECTION

(1) FM

① Frequency Range(50kHz or 100kHz Step)	87.5MHz~108MHz
② Intermediate Frequency	10.7MHz
③ Sensitivity 98.1MHz	10dB
④ Signal-to-noise Ratio(Mono/Stereo)	60dB/55dB
⑤ Image Rejection 106.1MHz	50dB
⑥ IF Rejection 90.1MHz	90dB
⑦ Distortion(Mono/Stereo)	0.5%/1.0%
⑧ Frequency Response(-3dB)	40Hz~14kHz
⑨ Separation 100Hz/1kHz/10kHz	30dB/30dB/25dB

(2) AM(MW)

① Frequency Range[9(10)kHz Step]	522kHz~1611kHz
② Intermediate Frequency	450kHz
③ Usable Sensitivity 1,008kHz	50dB
④ Image Rejection 1,404kHz	30dB
⑤ IF Rejection 603kHz	40dB
⑥ Selectivity 1,008kHz	35dB
⑦ Signal-to-noise Ratio 1,008kHz	35dB
⑧ Distortion 1,008kHz	1.5%
⑨ Frequency Response(-6dB)	80Hz~2,300Hz

3. TAPE DECK

① Tape Speed	4.75cm/sec
② Wow Flutter	0.15%
③ Fast Forward & Rewind Time(C-60)	120sec
④ Frequency Response	125Hz~12.5KHz
⑤ Signal-to-noise Ratio(Playback/Record)	50dB/45dB
⑥ Distortion(Playback/Record)	1%/1.5%
⑦ Cross Talk	60dB
⑧ Channel Separation	35dB
⑨ Erase Ratio	65dB

4. CDP

① Frequency Response(40Hz~20kHz)	± 1dB
② Signal-to-noise Ratio	78dB
③ Dynamic Range	78dB
④ T.H.D.	0.1%
⑤ Separation	50dB

5. GENERAL

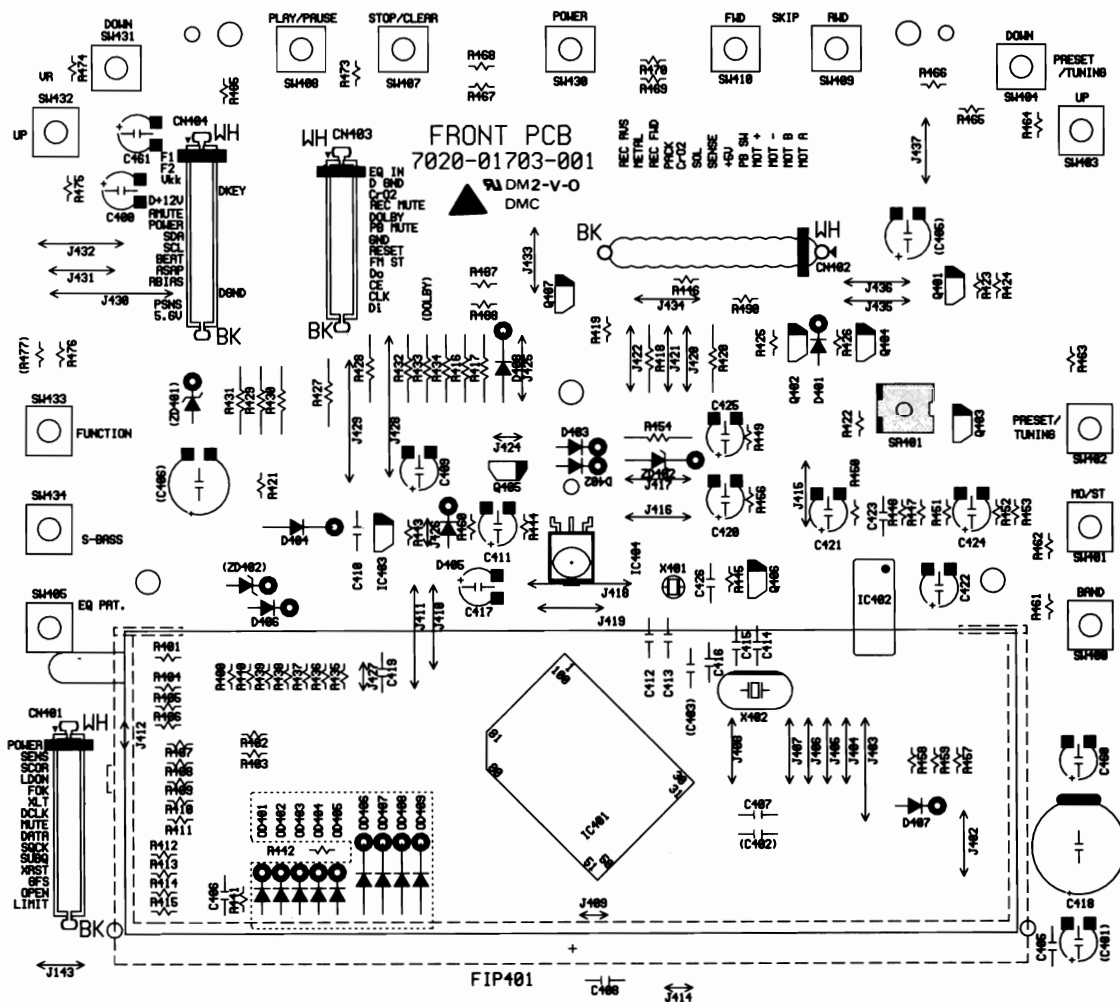
① Power Requirement	Refer to the back panel of unit
② Power Consumption	60W
③ Dimension (Net:WXHxD)	162×265×258(mm)
④ Weight(Net)	4.4kg

NOTE: Specifications are subject to change without notice in the course of product improvement.

Manufactured under license from Dolby Laboratories Licensing Corporation. "DOLBY" and the  symbol are trademarks of Dolby Laboratories Licensing Corporation.

TAPE DECK ADJUSTMENTS

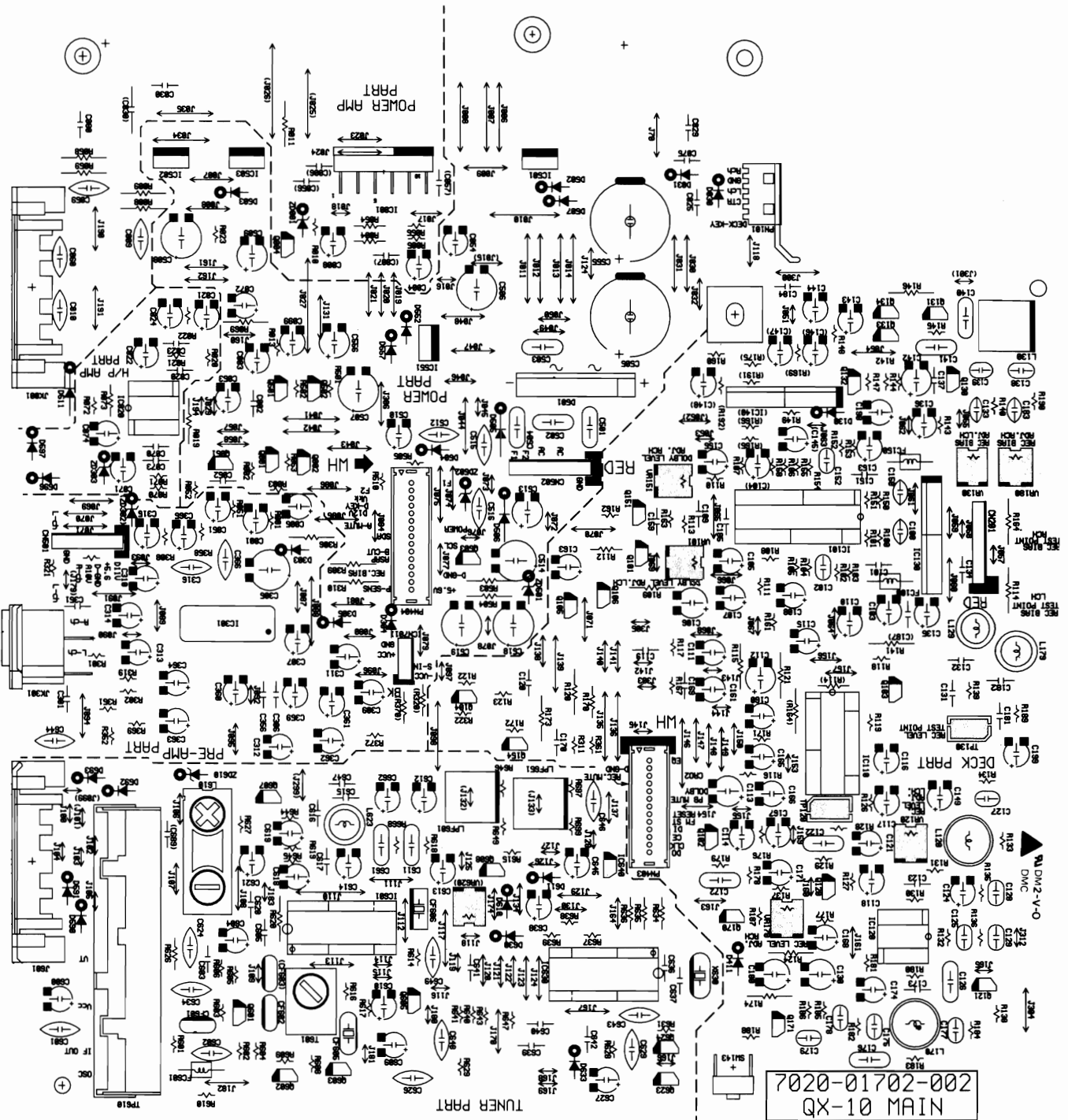
● FRONT PCB



TAPE DECK ADJUSTMENTS

● MAIN PCB

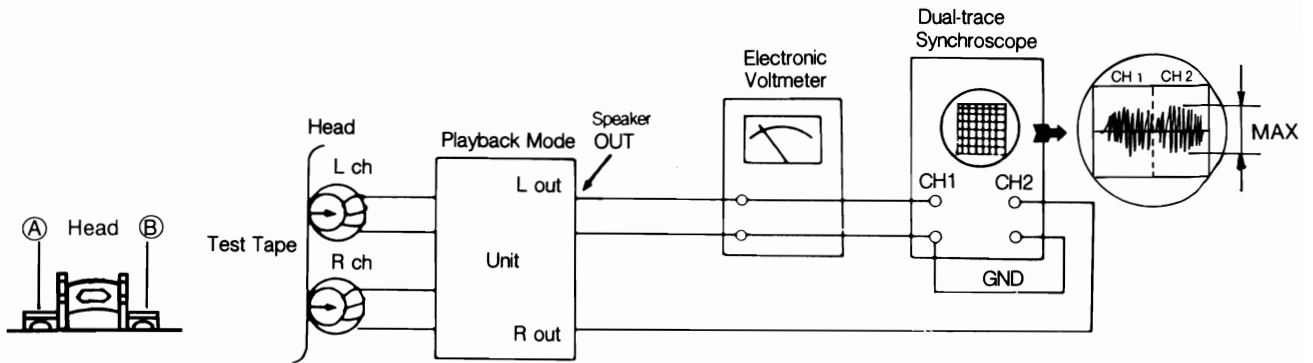
DIP



TAPE DECK ADJUSTMENTS

1. AZIMUTH ADJUSTMENT

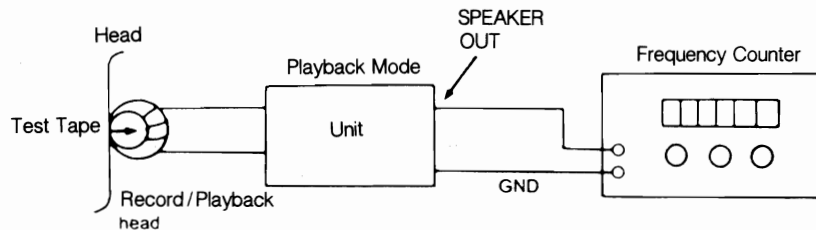
Deck Mode	Test Tape	Test Point	Adjust for	Adjustment	Remark
Playback	MTT-114N TCC-153	SPEAKER OUT	Head screw	R/L Maximum	Ⓐ Reverse: Lefthand side screw Ⓑ Forward: Righthand side screw



(Azimuth Adjustment Connection Diagram)

2. MOTOR SPEED ADJUSTMENT

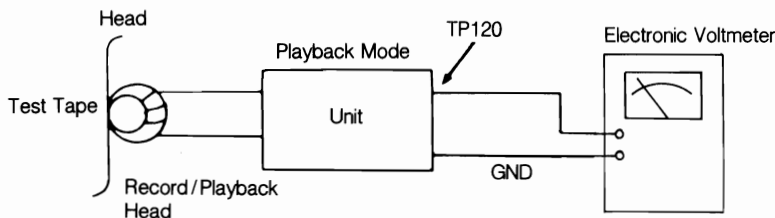
Item	Deck Mode	Test Tape	Test Point	Adjustment	Adjust for	Remark
Normal Speed	Playback	MTT-111 TCC-112	SPEAKER OUT	SR401	3kHz \pm 30Hz	



(Motor Speed Adjustment Connection Diagram)

3. PLAYBACK LEVEL ADJUSTMENT

Deck Mode	Test Tape	Test Point	Adjustment	Adjust for	Remark
Playback	MTT-150 TCC-130	TP-120	VR101, VR151	545mV \pm 0.5dB	After adjusting in forward, confirm the specification in reverse mode.

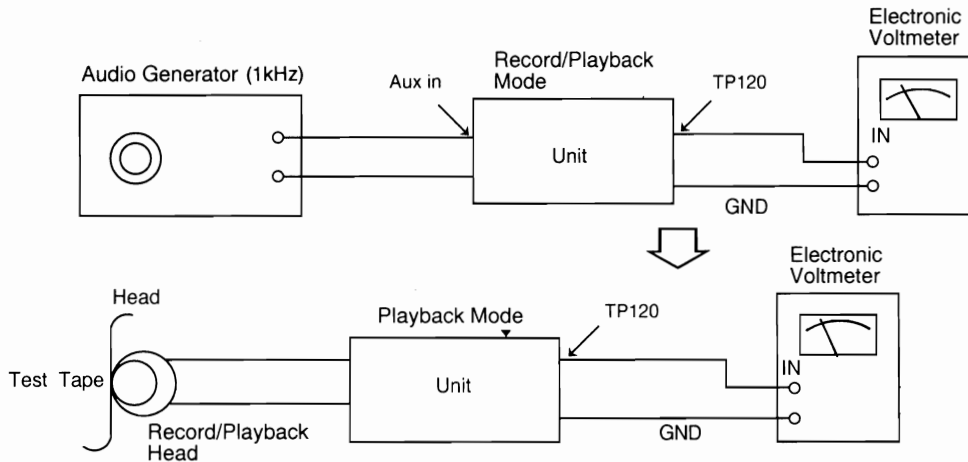


(Playback Level Adjustment Connection Diagram)

TAPE DECK ADJUSTMENTS

4. RECORD LEVEL ADJUSTMENT

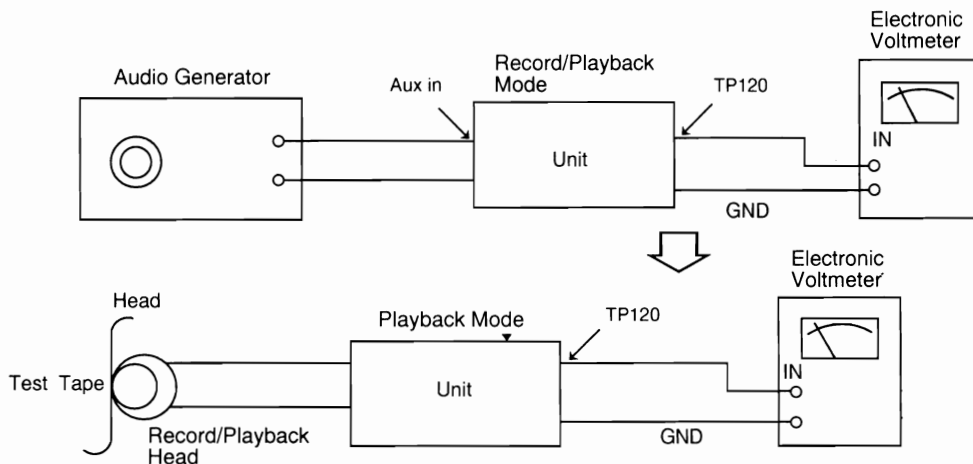
Deck Mode	Test Tape	Test Point	Adjustment	Input	Adjust for	Remark
R/P→PB	TCC-105B TCC-203B	TP 120	VR 120 VR 170	200mV (on AUX)	± 0.5dB	<ul style="list-style-type: none"> Dolby OFF After adjusting in TCC-150B confirm in TCC-203B



(Record Level Adjustment Connection Diagram)

5. BIAS ADJUSTMENT

Deck Mode	Test Tape	Test Point	Adjustment	Input	Adjust for	Remark
R/P→PB	TCC-105B TCC-203B	TP 120	VR 130 VR 180	40mV (on AUX)	Adjust for the response of 1kHz/12.5kHz flat	After adjusting in TCC-150B confirm in TCC-203B



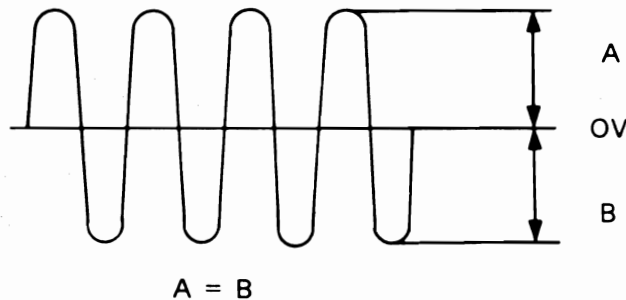
(Bias Adjustment Connection Diagram)

CDP ADJUSTMENTS

1. Before adjusting, preset adjustment potentiometers VR801 and SR802 center.

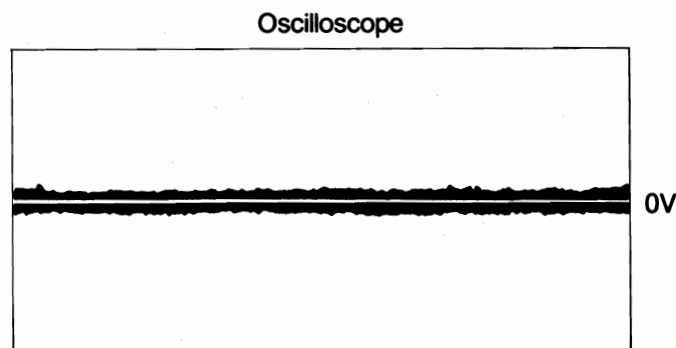
2. TRACKING BALANCE ADJUSTMENT

- 1) Connect the oscilloscope to TP801(Pin ④ -TEO) and TP801 (Pin ③ -Vref).
- 2) Playback the 12th selection of the test disc(YEDS-18).
- 3) Short-circuit TP801 (Pin ⑤ -TEI) and TP801 (Pin ③ -Vref).
- 4) Adjust SR801 so that the amplitude above and below the zero DC line becomes equal (amplitude A=B)

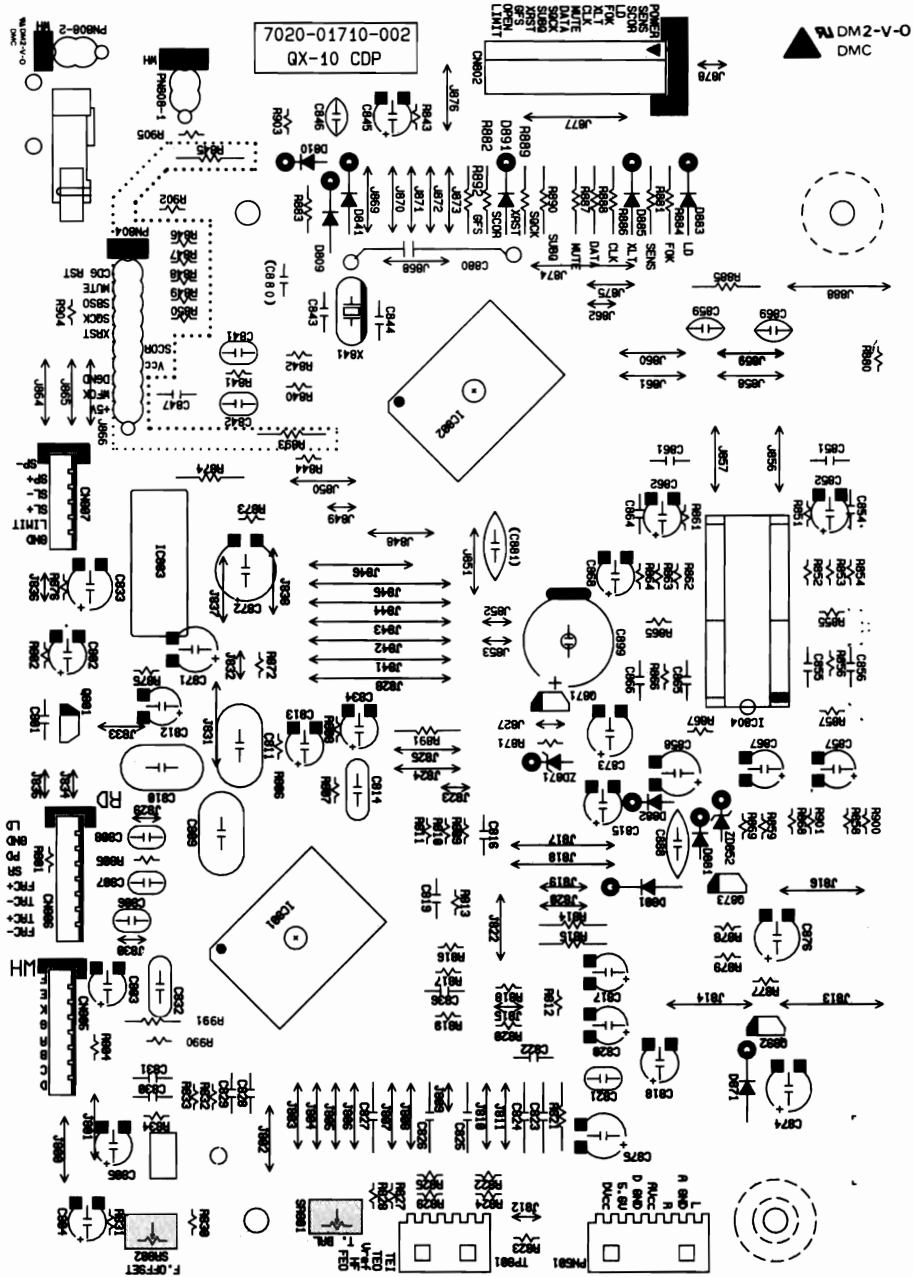


3. FOCUS OFFSET ADJUSTMENT (You have to use 10:1 probe)

- 1) Connect oscilloscope to TP801(Pin ② -HF) and TP801(Pin ③ -Vref).
- 2) Put a test disc into unit and playback the unit.
- 3) Adjust SR802 so that eye pattern becomes clear and waveform (Vp-p) is maximum.
- 4) Stop mode.
- 5) Connect oscilloscope to TP801(Pin ① -FEO) and TP801(Pin ③ Vref).
- 6) Confirm the oscilloscope reading
 - i) Less than 200mV — OK
 - ii) More than 200mV — readjust SR802 200mV.

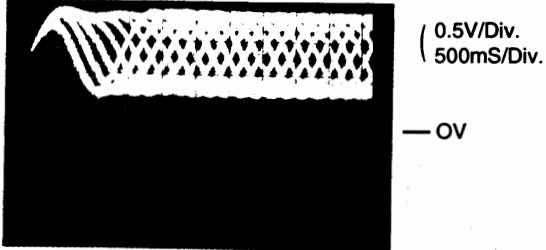


CDP ADJUSTMENTS

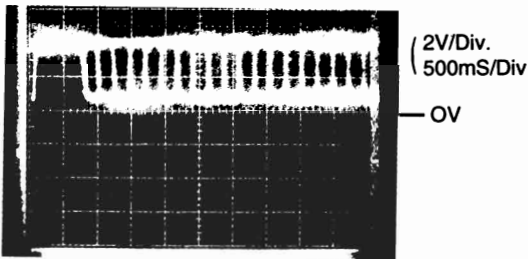


WAVEFORM OF MAJOR CHECK POINTS

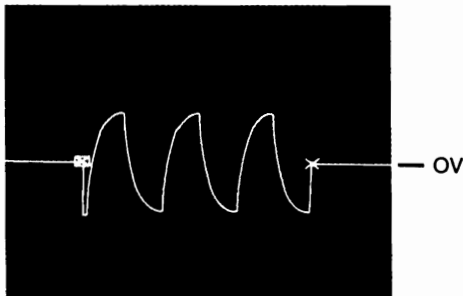
1. HF signal (RF signal) waveform (test point TP801) during normal play



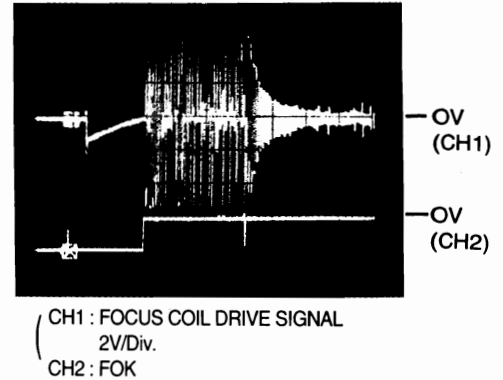
2. EFM signal (pin NO. 39 of IC801) waveform during normal play



3. Focus coil drive waveform (pin NO. 26, 27 of IC803)
 • When focus search failed or there is no disc on the tray

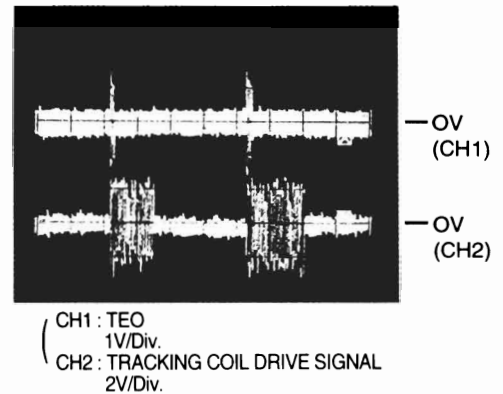


- Focus coil drive waveform (pin NO. 26, 27 of IC803) and FOK (pin NO. 59 of IC801) when focus search is accomplished

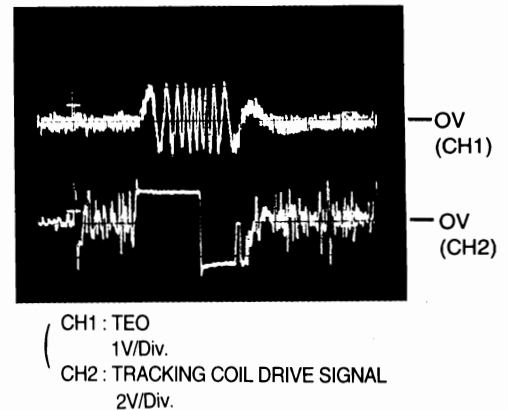


4. Tracking coil drive waveform (pin NO. 4 of IC803) and TEO during track traverse

- (1) When time division is 20mS/div

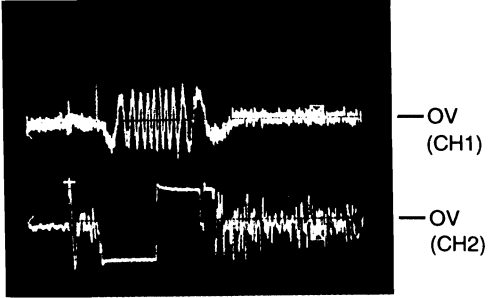


- (2) When time division is 0.5mS/div. (During forward track traverse)



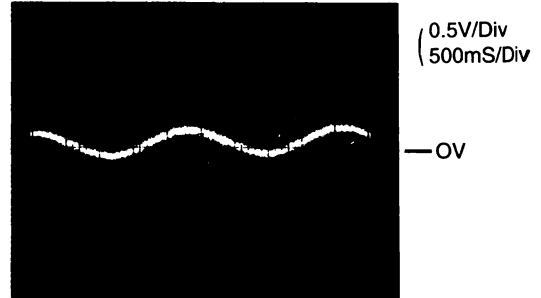
WAVEFORM OF MAJOR CHECK POINTS

(3) When time division is 0.5mS/div.
(During backward track traverse)



CH1 : TEO
1V/Div.
CH2 : TRACKING COIL DRIVE SIGNAL
2V/Div.

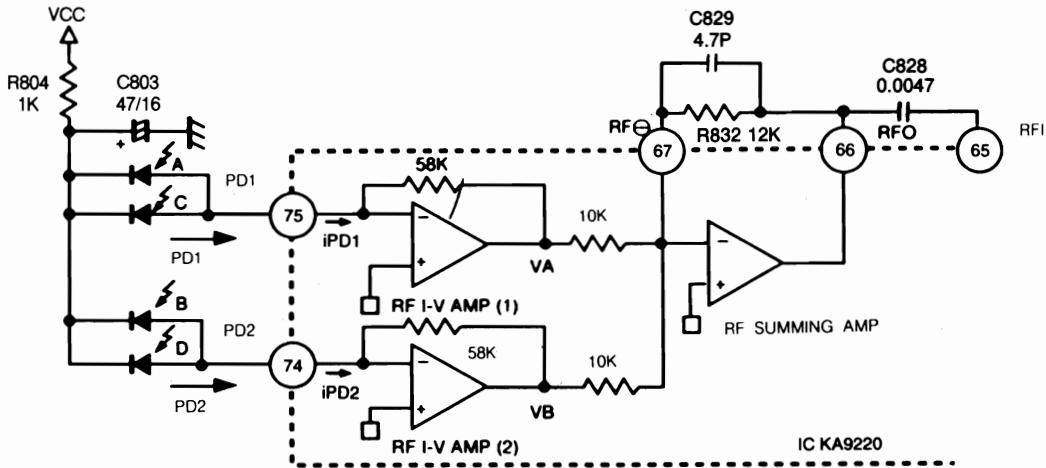
5. Feed motor drive waveform (pin NO. ②
of IC803) During normal play



DESCRIPTION OF FUNCTIONS

1. RF AMPLIFIER

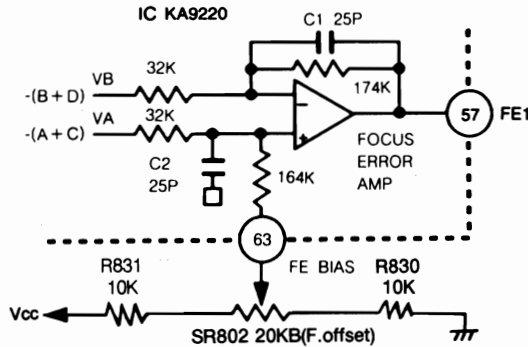
RF 1-V amplifiers (1) and (2) are converted to voltage from the signal current of pin photodiodes connected to PD1 and PD2 through the 58KΩ equivalent resistance. Furthermore, it is added in the RF summing amplifier and (A+B+C+D) is output at RFO. At this pin (RFO), the eye pattern can be checked.



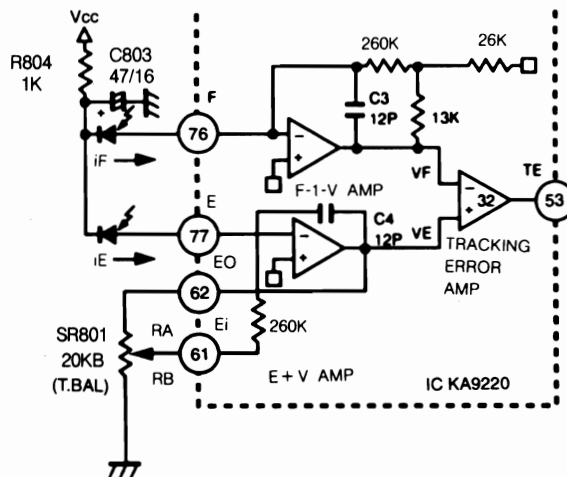
The RF amplifier output voltage (low-frequency) is $V_{RFO} = 2.2 \times (V_A + V_B) = 127.6K\Omega \times (iPD1 + iPD2)$. (at RFO)

2. FOCUS ERROR AMPLIFIER

The Focus Error Amplifier is the difference between RF 1-V amplifier (1) output (A+C) and RF 1-V amplifier (2) output (B+D). The output becomes (A+C-B-D).



3. TRACKING ERROR AMPLIFIER



DESCRIPTION OF FUNCTIONS

E 1-V amplifier and F 1-V amplifier are converted to voltage from the signal current of pin photodiode connected: E and F. The E and F 1-V amplifiers output voltage is,

$$V_F = iF \times 403K\Omega, \text{ and}$$

$$V_E = iE \times 260K\Omega \times R_A / (R_B + 22K) + (R_A + 260K).$$

The tracking error amplifier is the difference between the E 1-V amplifier output and the F 1-V amplifier output, this output is (E-F).

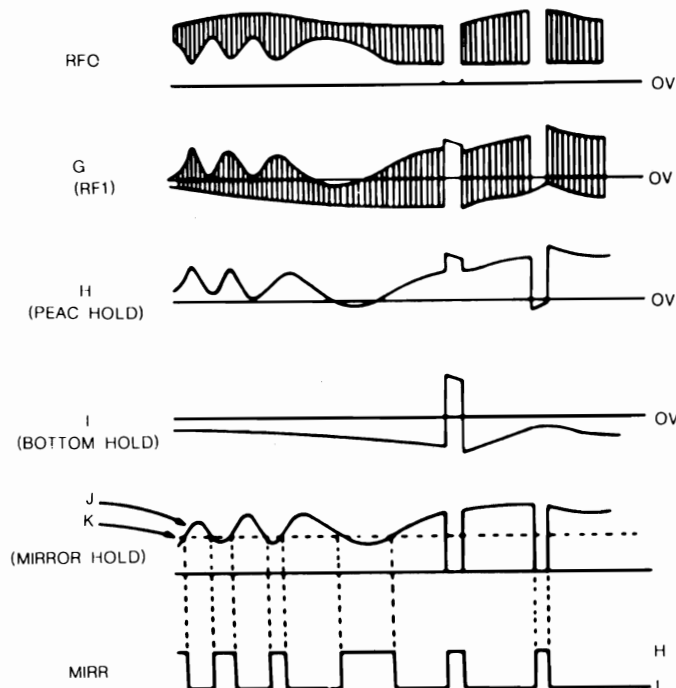
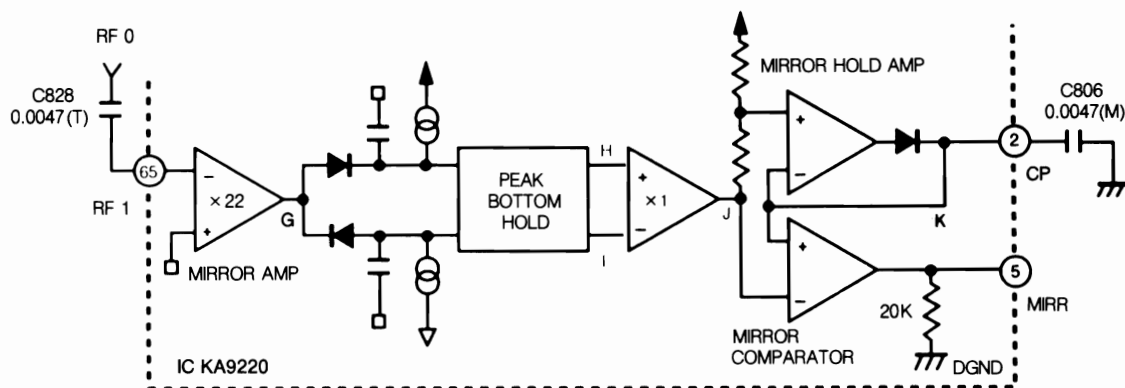
$$V_{TE} = (V_E - V_F) \times 3.2$$

$$= (iE - iF) \times 1290K\Omega$$

4. MIRROR CIRCUIT

This circuit, after amplifying the RFI signal, holds its bottom and peak. The peak hold is done with a time constant able to track down a 30kHz traverse and the bottom hold. This is done with a time constant able to track down envelope fluctuations in the revolving cycle.

With the differential amplification of these peak and bottom hold signals, H and I, the envelope signal J (demodulated to DC) is obtained. Two-thirds of the peak value of this signal J is held with a large time constant for the signal K. When K is compared with J, a mirror output is obtained. That is, the mirror output gives "L" on the disc track, "H" between tracks (mirror section) and also "H" in the defect detection. The time constant for the mirror hold must be sufficiently larger than that of the traverse signal.



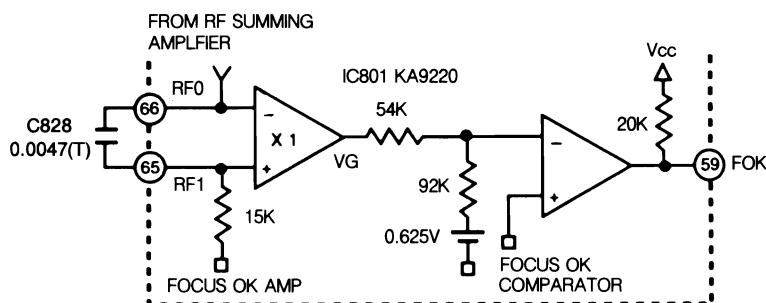
DESCRIPTION OF FUNCTIONS

5. FOCUS OK CIRCUIT

The focus OK circuit generates a timing window to lock on the focus servo from a focus search status. Pin 65 will get the HPF (High Pass Filter) output from an RF signal from Pin 66 -the LPF (Low Pass Filter) output (opposit phase) for the focus OK amplifier output.

The focus OK amplifier output is inverted when $V_{RF1}-V_{RF0} \approx -0.37V$.

C828 is for determining the time constants of HPF in the EFM comparator and mirror circuits as well as LPF in the focus OK amplifier. When $0.0022\mu F$ is selected for C828, f_c (cut-off frequency)=1kHz, prevents the block error rate from degenerating as a damaged RF envelope results from the scratched disc, etc.

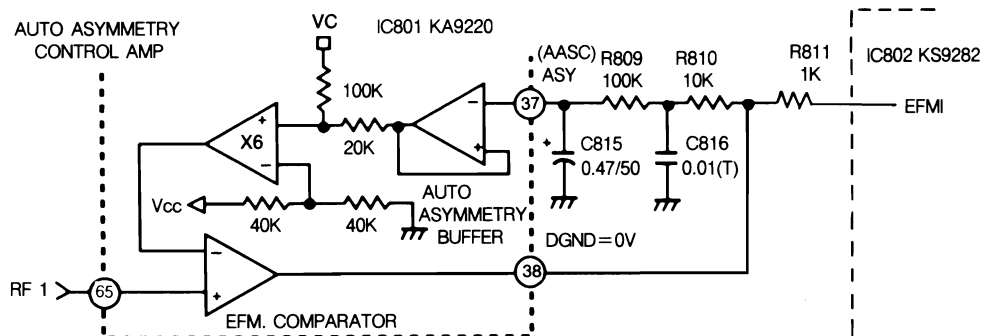


6. EFM COMPARATOR

The EFM comparator changes RF signal into a binary value. As the asymmetry generated due to variations in disc manufacturing cannot be eliminated by the AC coupling alone, the reference voltage of EFM comparator is controlled utilizing the fact that the generation probability of 1, 0 is 50% each in the binary EFM signals.

As this comparator is a current SW type, each of the H and L levels does not equal the power supply voltage, requiring feedback through a CMOS buffer.

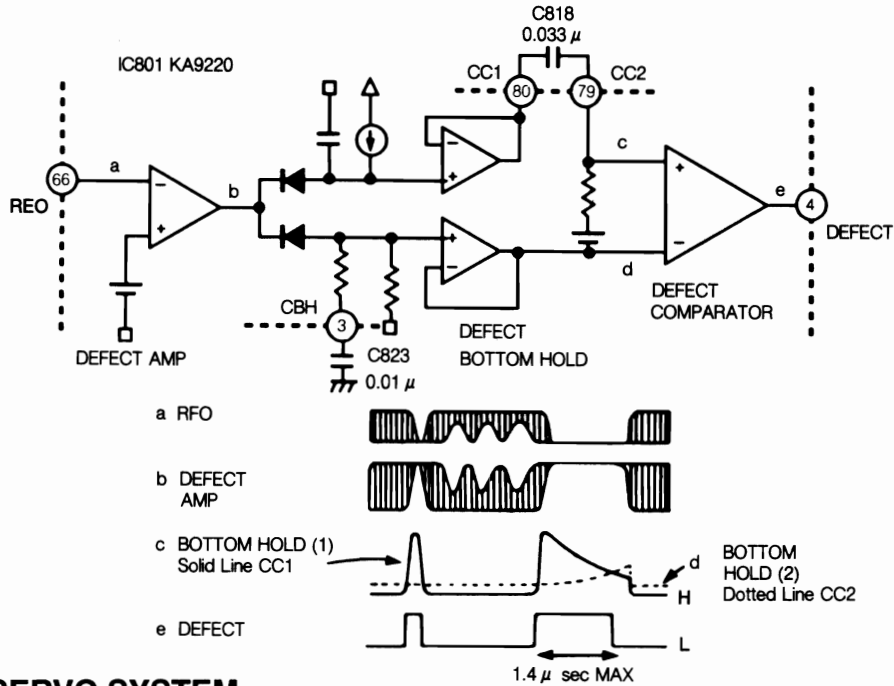
R809, R810, C815 and C816 form a LPF to obtain $(V_{CC}+DGND)/2V$. When f_c (out-off frequency) is made more than 500Hz, the EFM low-frequency component leaks dably, degenerating the block error rate.



DESCRIPTION OF FUNCTIONS

7. DEFECT CIRCUIT

The RFI signal bottom, after being inverted, is held with two time constants, one long and one short. The short time-constant bottom hold is done for a disc mirror defect more than 0.1m sec. The long time-constant bottom hold is done with the mirror level prior to the defect. By differentiating this with a capacitor coupling and shifting the level, both signals are compared to generate the mirror defect detection signal.



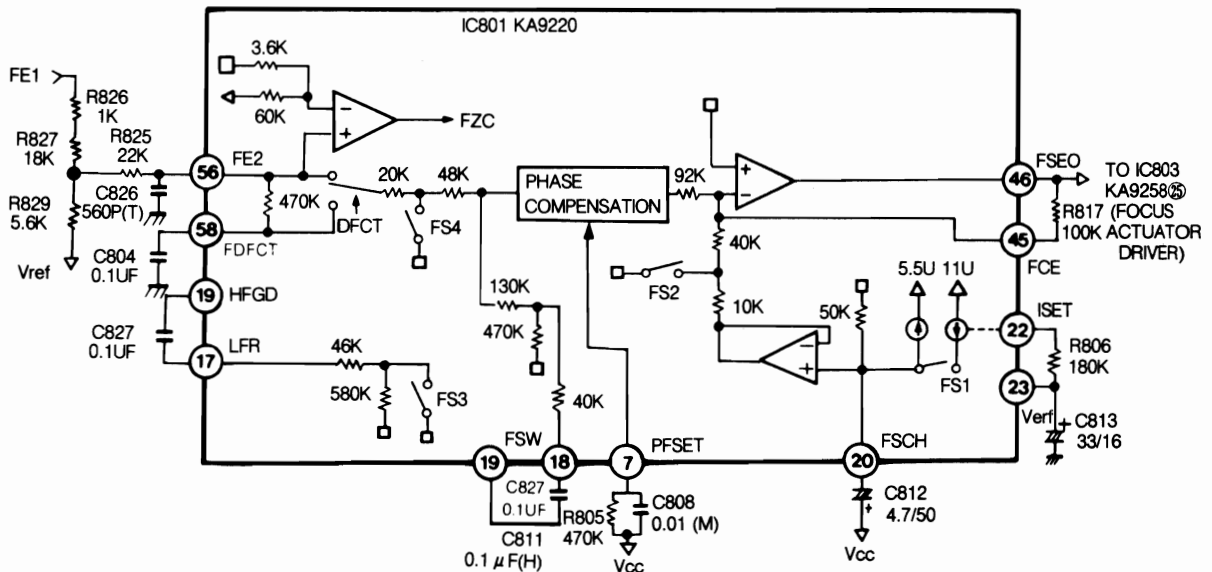
8. FOCUS SERVO SYSTEM

The below is a block diagram of the focus servo system. When FS3 is switched on, the high frequency gain can be reduced by forming a low frequency time constant through a capacitor connected across pins ⑰ and ⑲ and the internal resistor.

The capacitor across the pin ⑲ and GND has a time constant to raise the low frequency usually playback condition. The peak frequency of the focus phase compensation is inversely proportional to the resistor connected to pin ⑦ (about 1.2kHz when the resistor is 470KΩ).

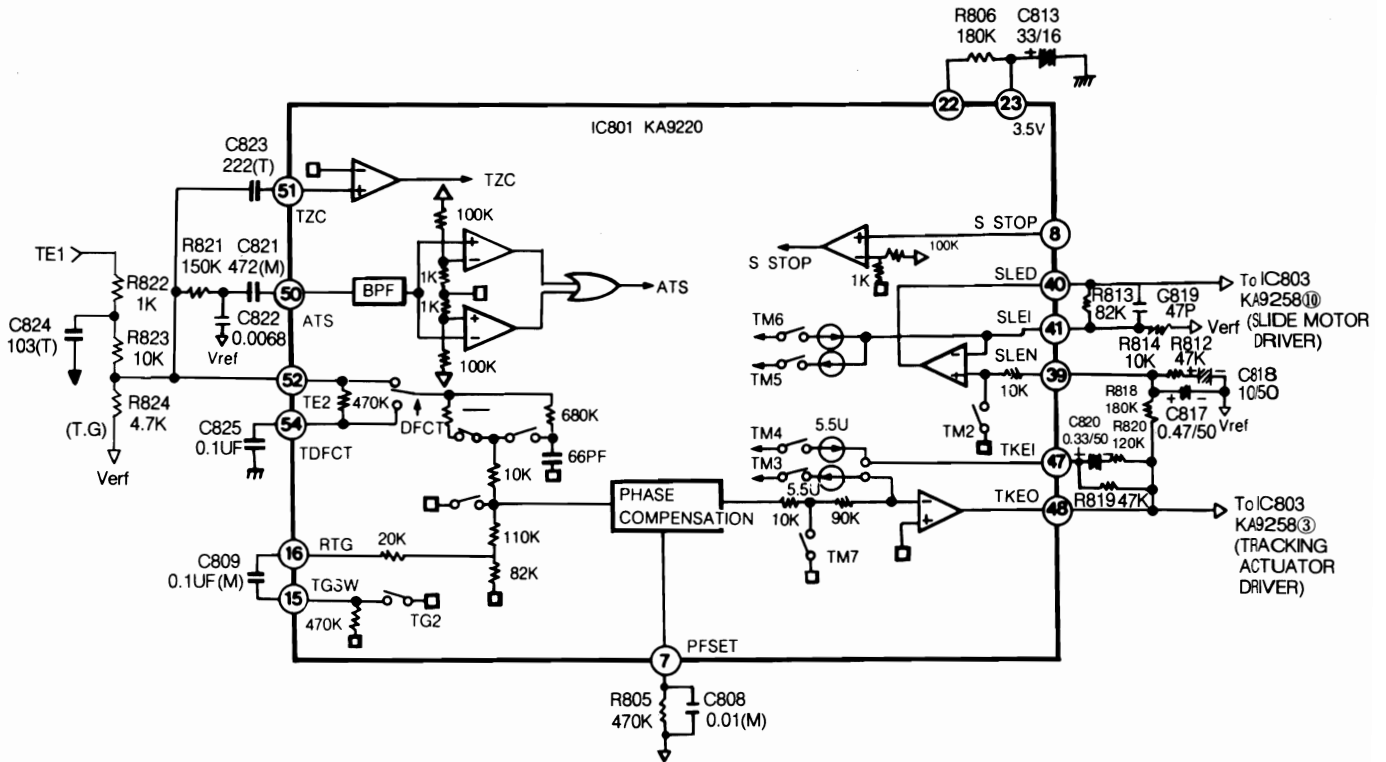
The focus search peak becomes about ±1.1 Vp-p with the above constant. The peak is inversely proportional to the resistor connected across the pins ② and ③. However, when this resistor is varied, the peaks of track jump and sled kick also vary.

The FZC comparator invert input is set to 2% of the difference between the reference voltage Vcc and VC(Pin 1): $2\% \times (V_{cc} - V_C)$.



DESCRIPTION OF FUNCTIONS

9. TRACKING SERVO SYSTEM



The above is a block diagram of the tracking sled servo system.

The capacitor across pins ⑮ and ⑯ has a time constant to lower the high frequency when TG2 is switched off. The tracking phase compensation peak frequency is inversely proportional to the resistor connected to pin ⑦ (about 1.2kHz when the resistor is 470K Ω).

For a tracking jump in the FWD or REV direction, TM3 and TM4 are set to ON. At this time, the peak voltage fed to the tracking coil is determined by the TM3 and TM4 current values and the feedback resistor from pin ⑰. That is:

$$\text{Track jump peak voltage} = \text{TM3(TM4) current value} \times \text{feedback resistor value}$$

The FWD or REV sled kick is done by setting TM5 or TM6 to ON. At this time, the peak voltage added to the sled motor is determined by the TM5 or TM6 current value and the feedback resistor from pin ⑱.

$$\text{Sled jump peak voltage} = \text{TM5 (TM6) current value} \times \text{feedback resistor value}$$

Each SW current value is determined by the resistor connected to pins ⑳ and ㉑.

When the resistor is at about 120K Ω .

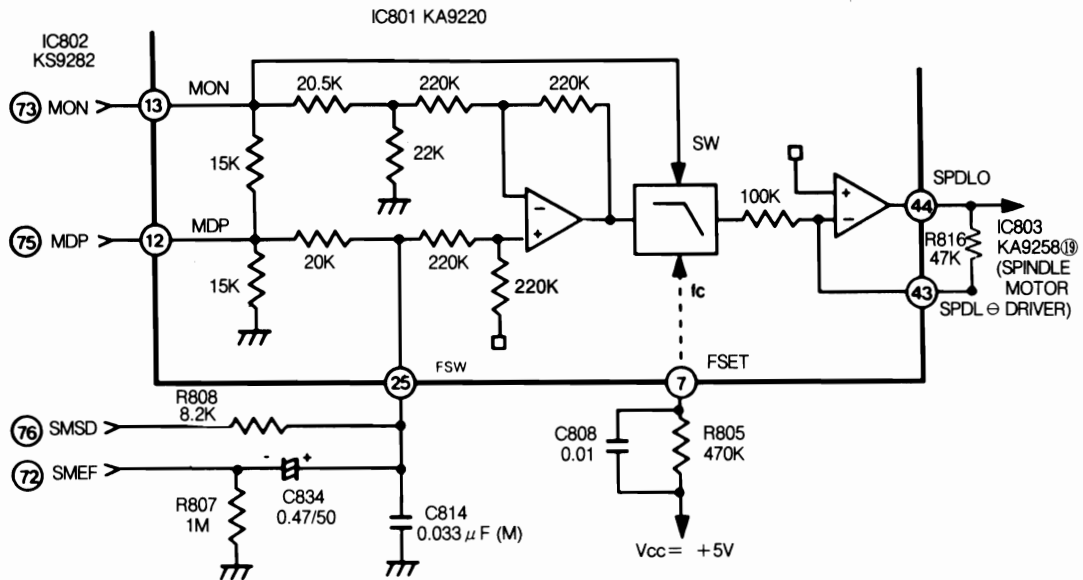
$$\text{TM3 or TM4 is } \pm 11\mu\text{A and TM5 or TM6 is } \pm 22\mu\text{A.}$$

This current value is almost inversely proportional to the resistor, variable within a range of about 5 to 40 μA for TM3.

S STOP is the ON/OFF detection signal for the limit SW of the sled motor's innermost circumference.

DESCRIPTION OF FUNCTIONS

10.SPINDLE SERVO AND LPF

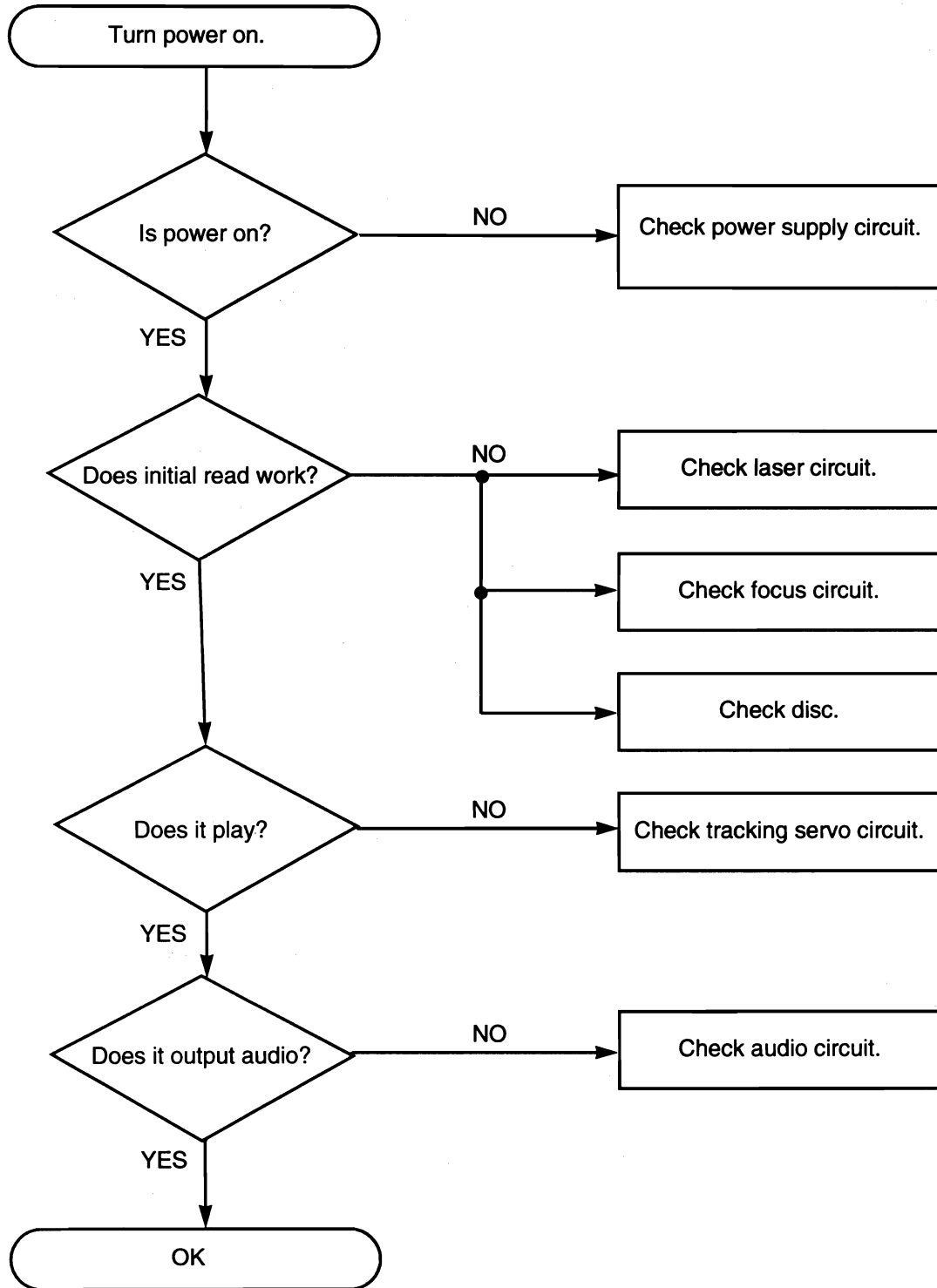


The 200Hz LPF is formed with 0.033F and 10K Ω connected to pin 25 and the secondary LPF is formed with the built-in LPF (fc up to 200Hz with 470K Ω for pin 7), and the carrier component of the CLV servo error signals MDS and MDP is eliminated.

In the CLV-S mode, FSW becomes L and the pin 25 LPF fc lowers, strengthening the filter further. With the pin 7 resistor connected to Vcc, fc does not vary with power supply voltage fluctuations.

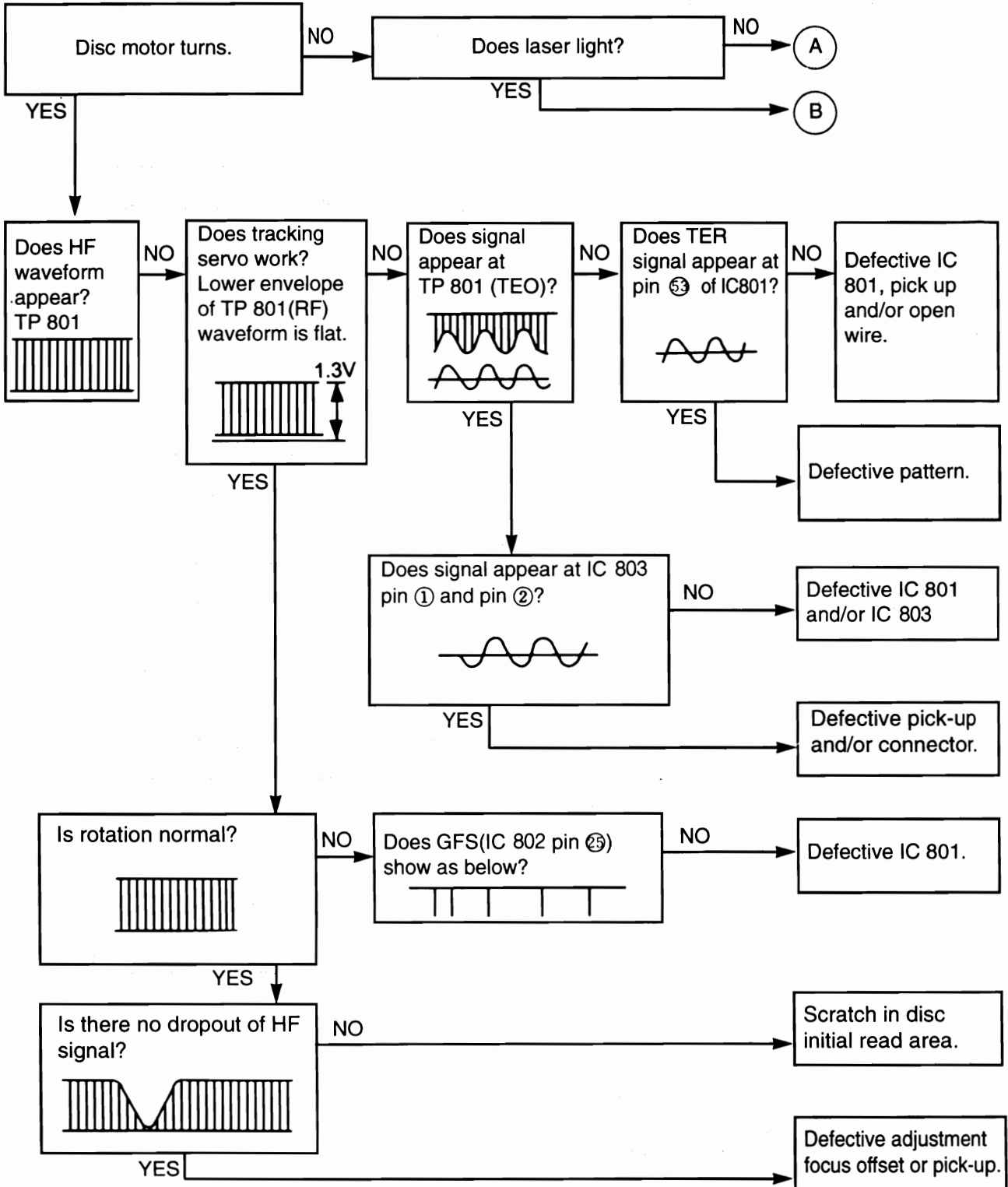
TROUBLESHOOTING

● CD PART



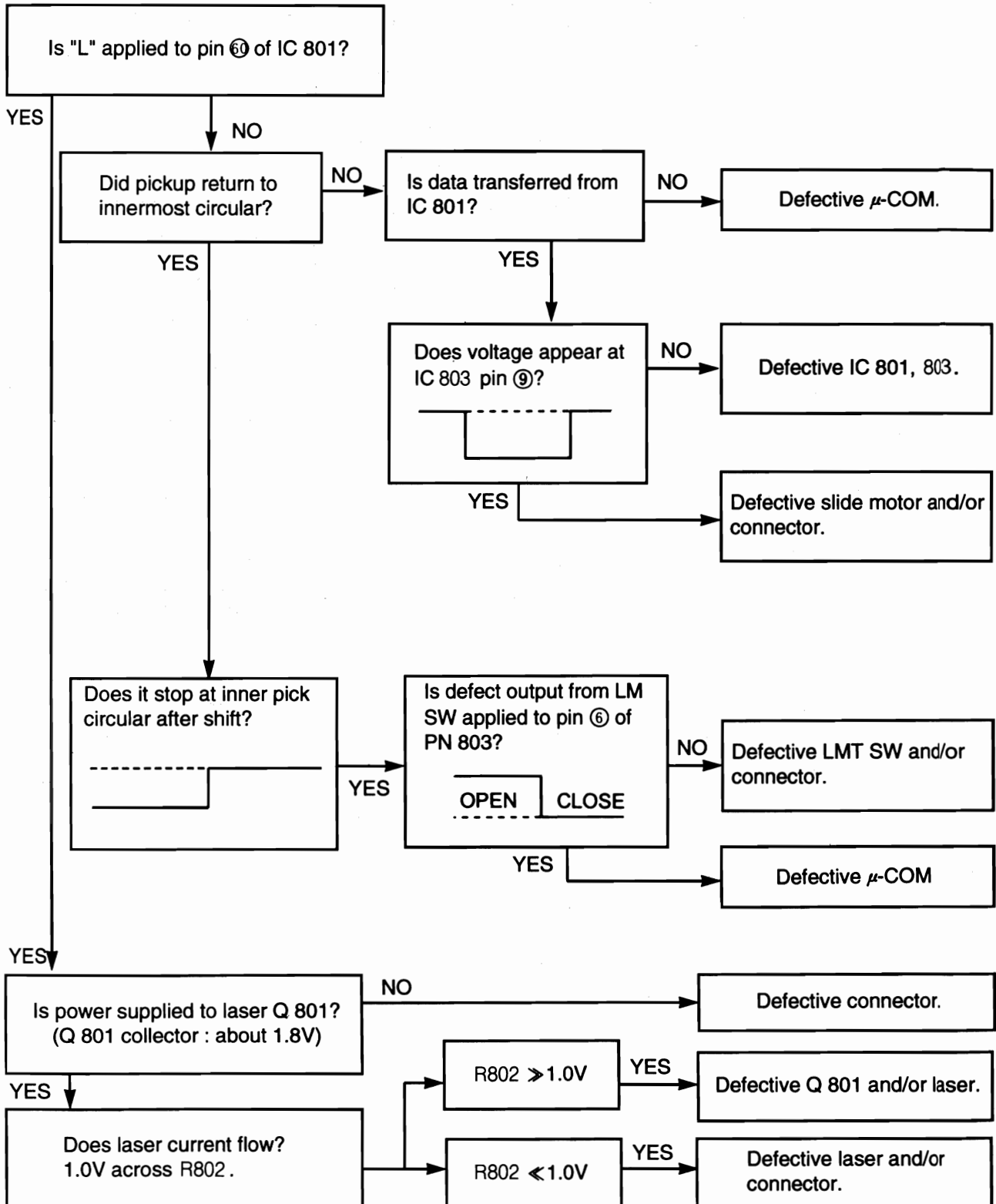
TROUBLESHOOTING

Fails to initial read



TROUBLESHOOTING

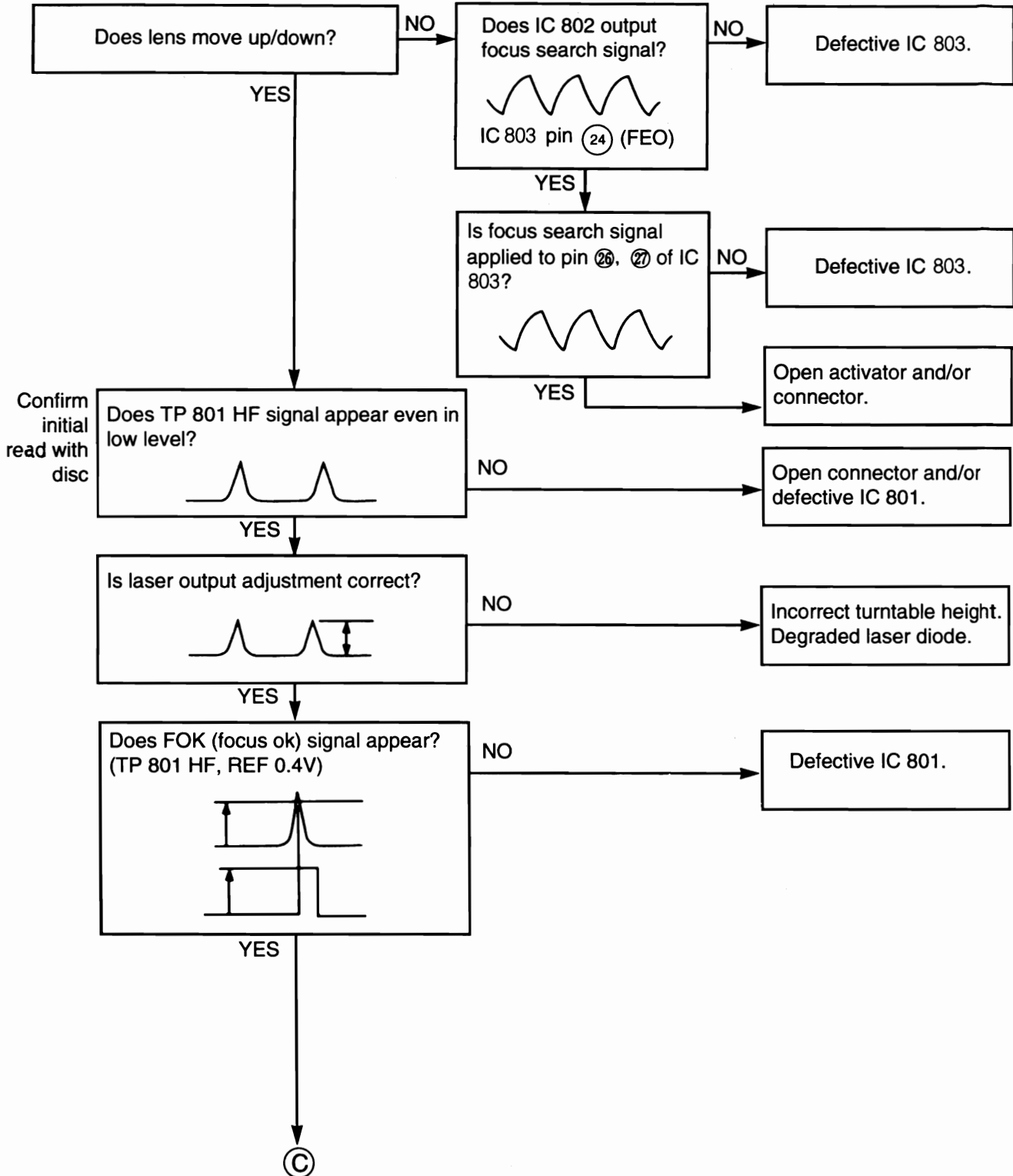
Ⓐ Laser does not light.



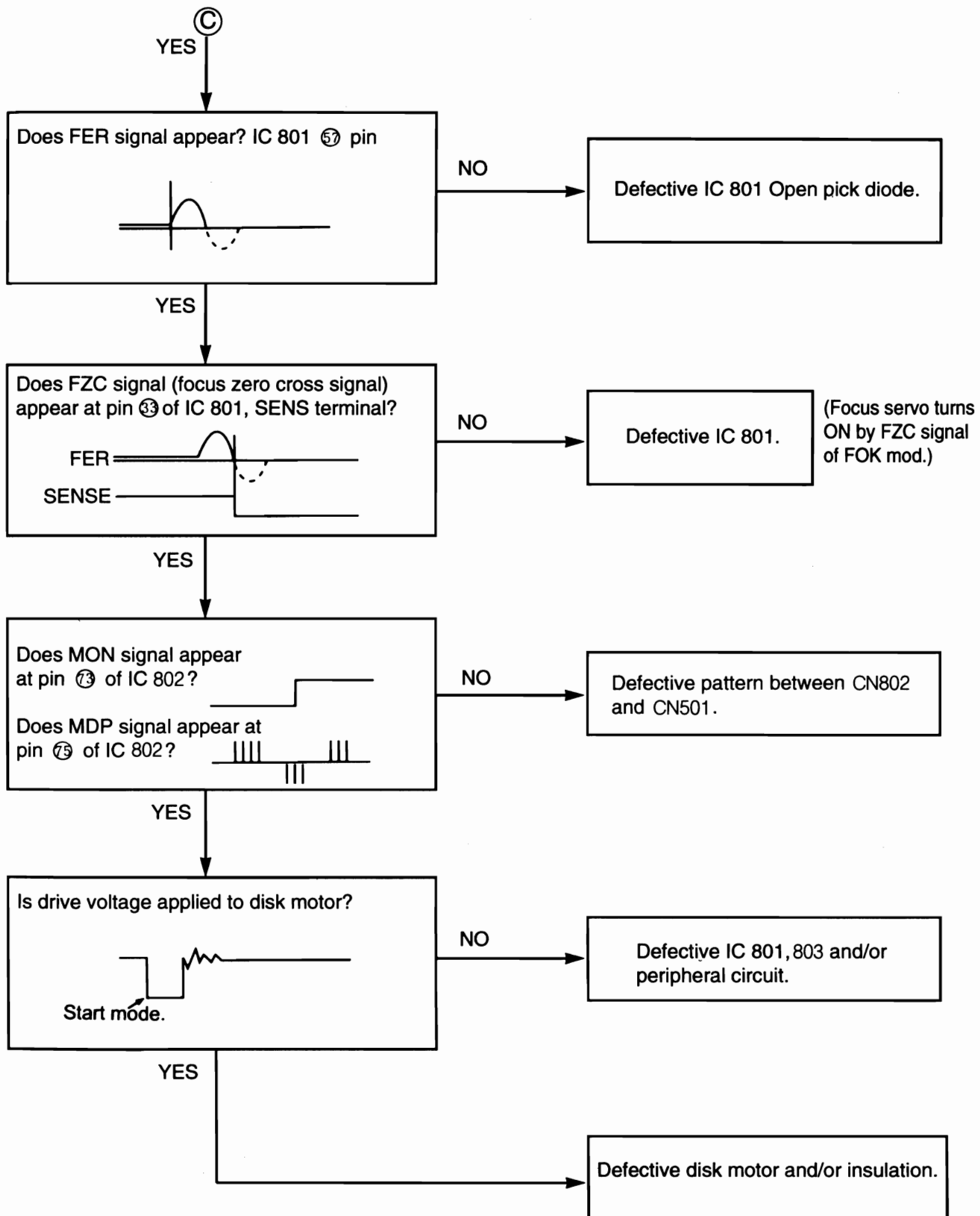
TROUBLESHOOTING

Ⓑ

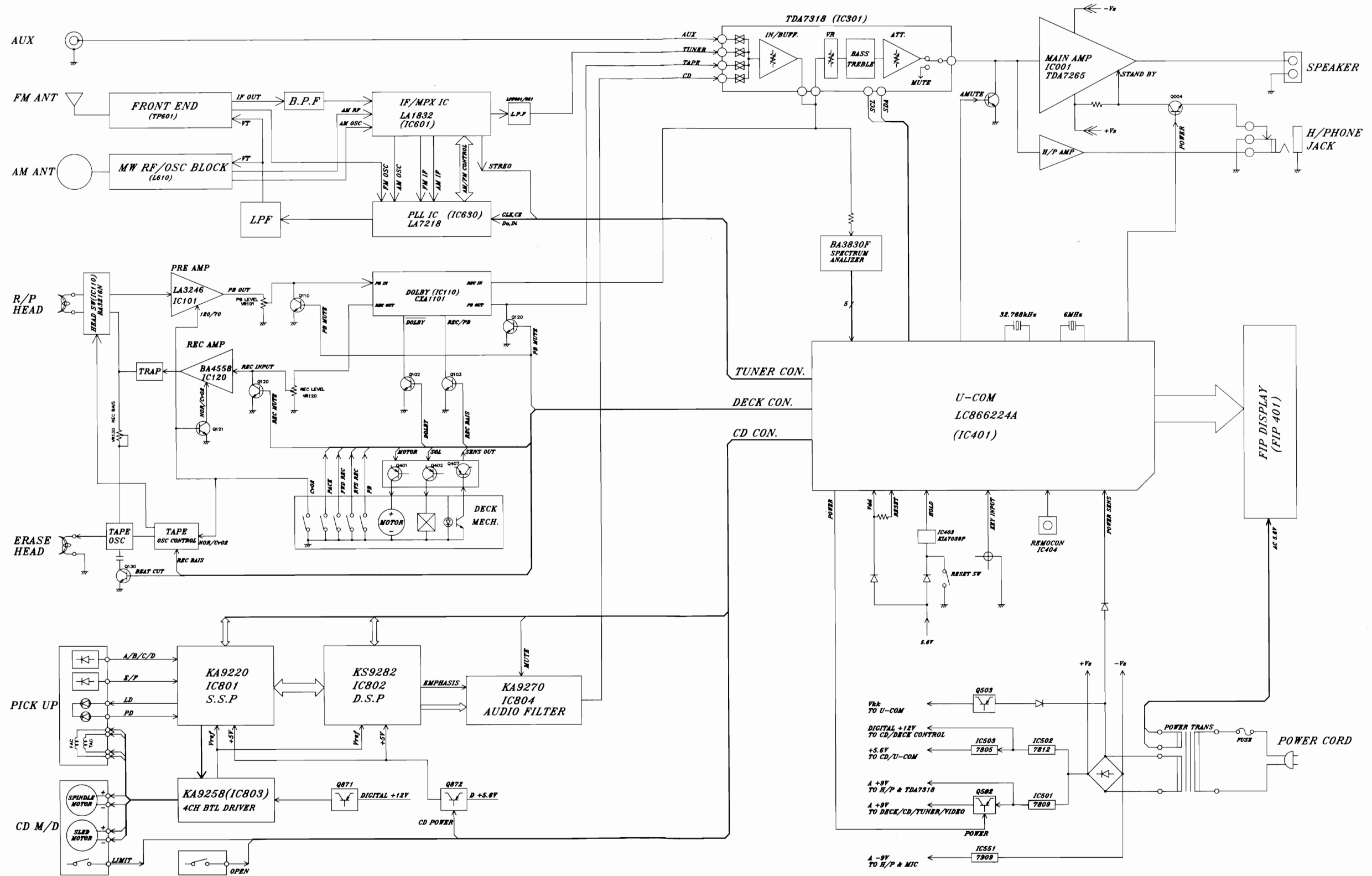
Laser lights.



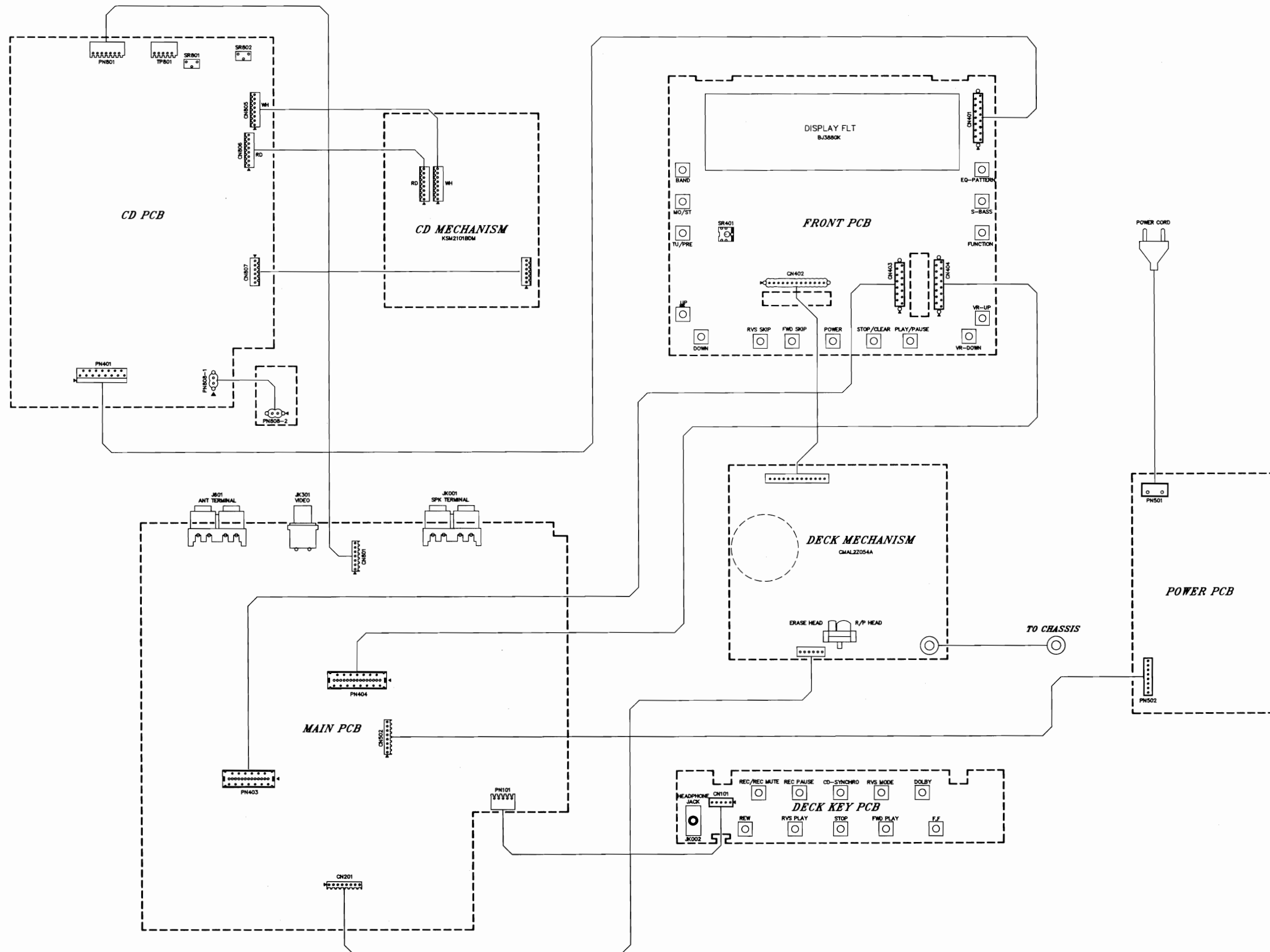
TROUBLESHOOTING



BLOCK-DIAGRAM

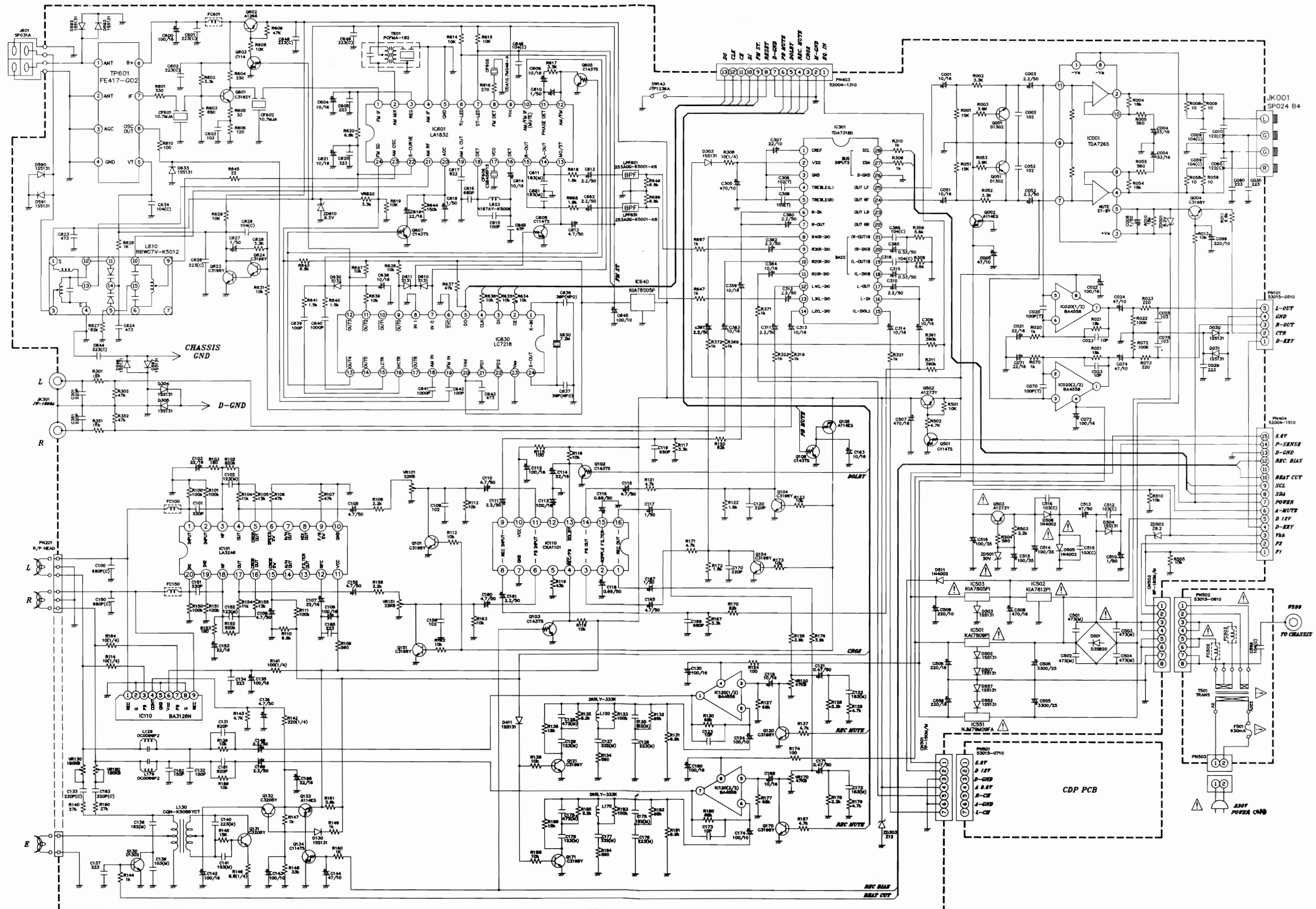


WIRING DIAGRAM



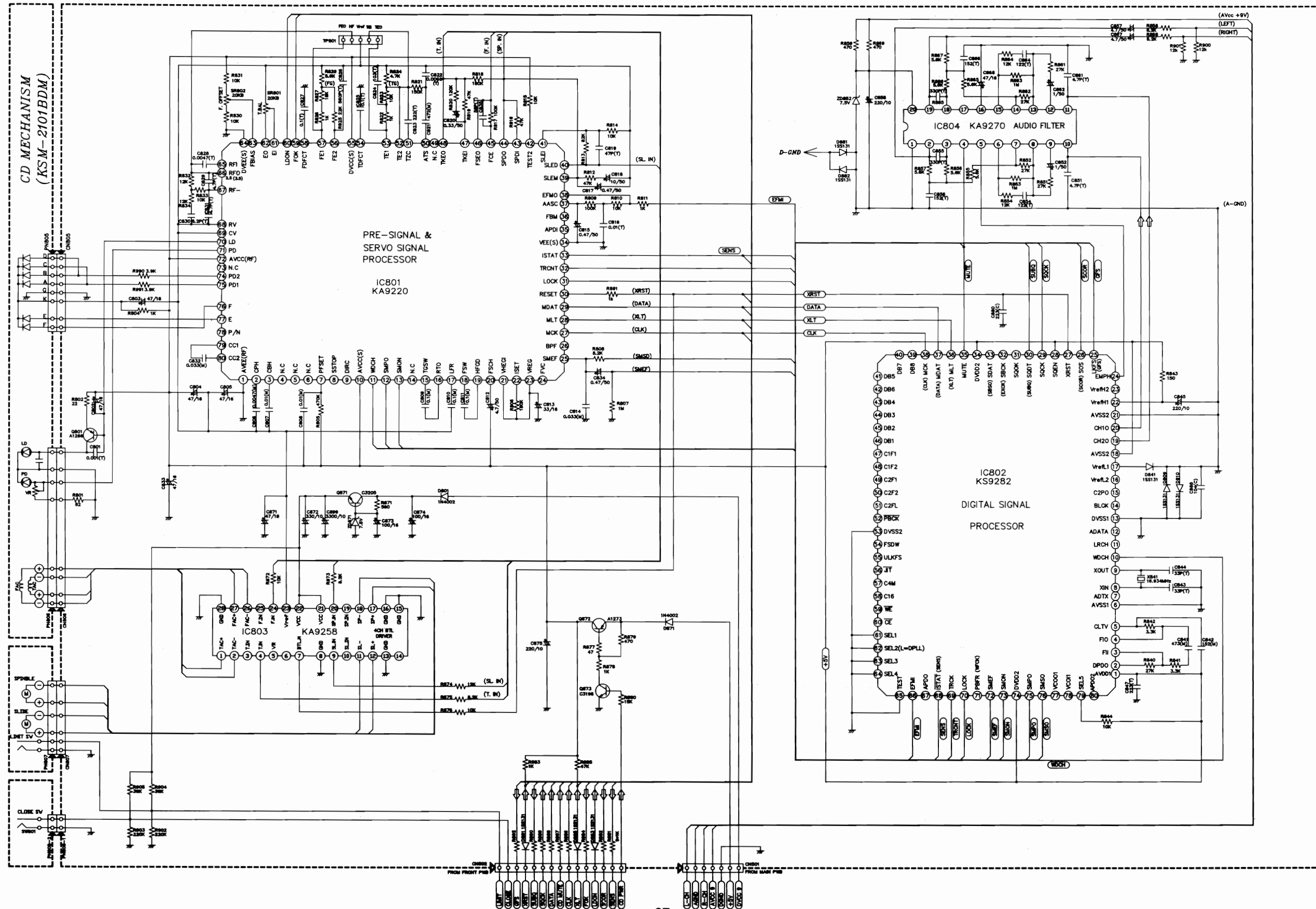
SCHEMATIC DIAGRAM

● MAIN/POWER



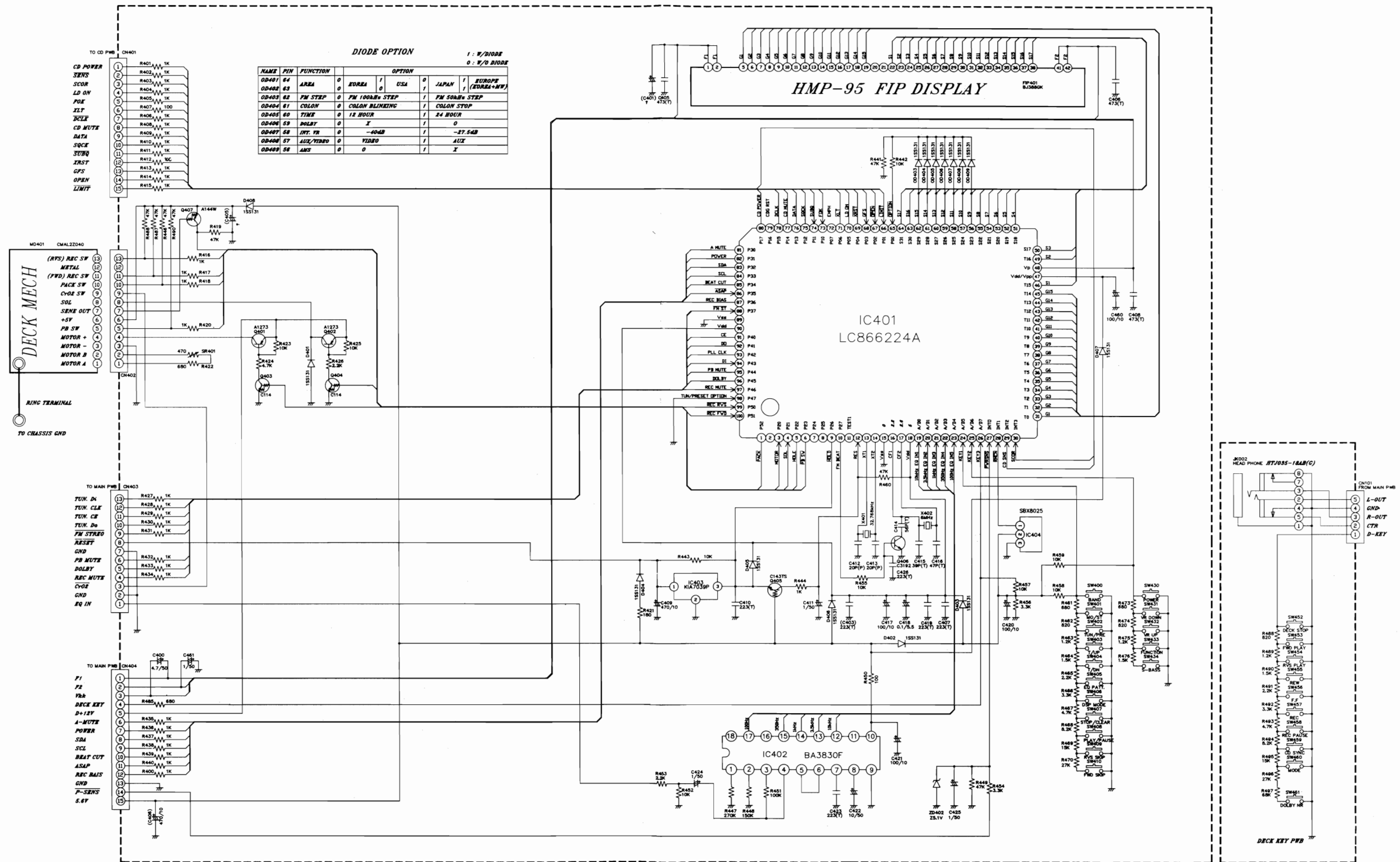
SCHEMATIC DIAGRAM

● CDP



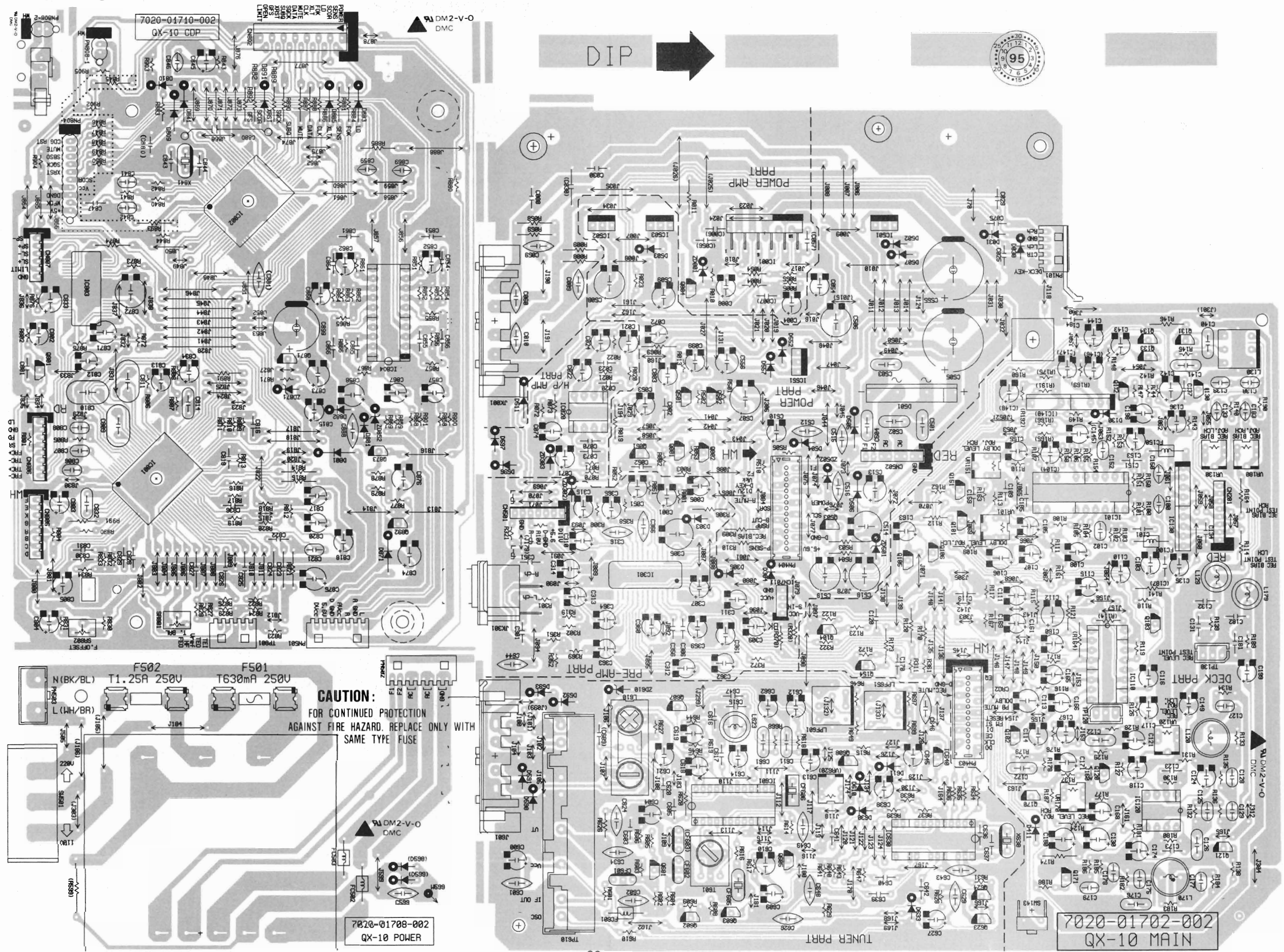
SCHEMATIC DIAGRAM

● FRONT/KEY



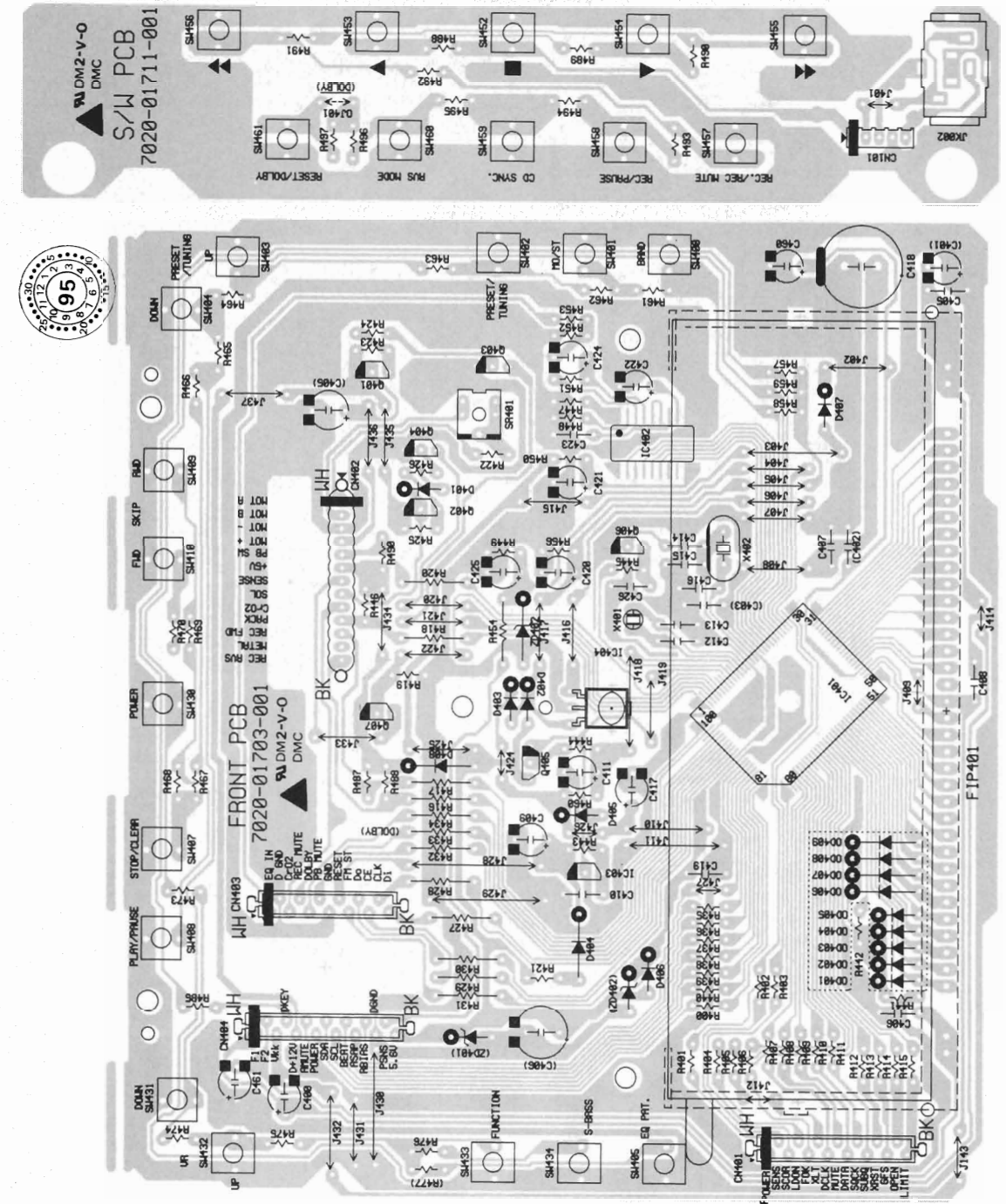
PCB LAYOUT

● MAIN/POWER/CDP P.C.B.



PCB LAYOUT

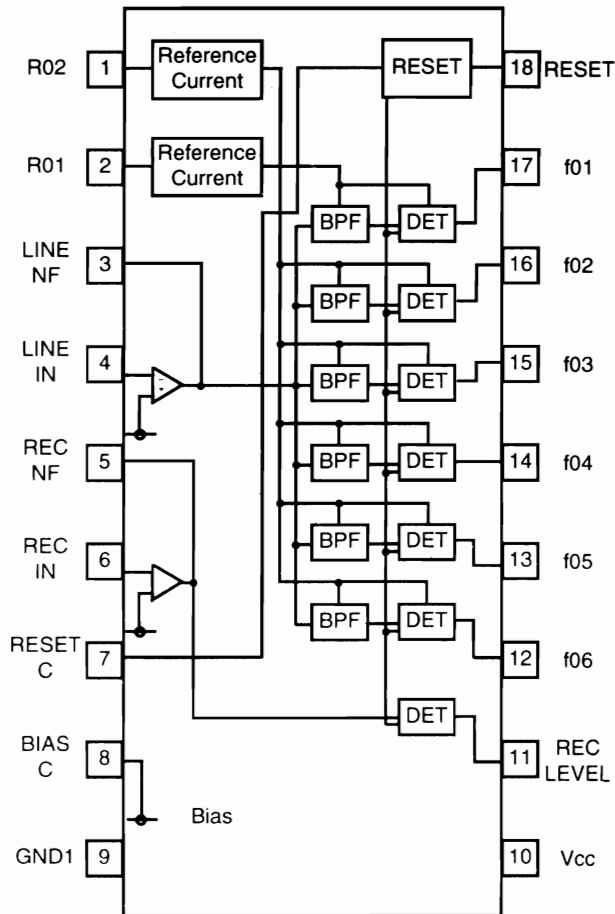
● FRONT/KEY P.C.B.



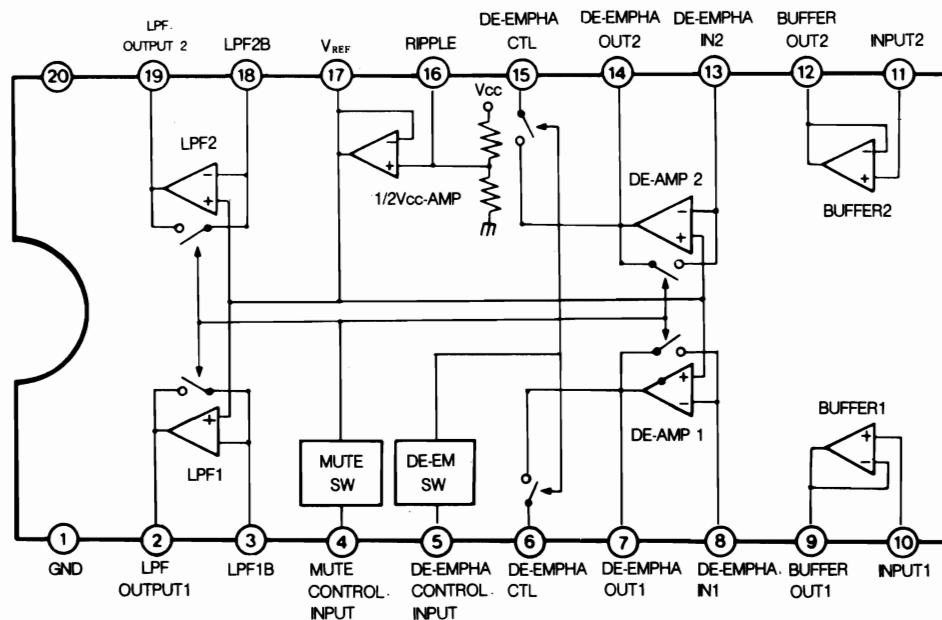
DIP ↑

BLOCK DIAGRAM OF ICs

■ BA3830F

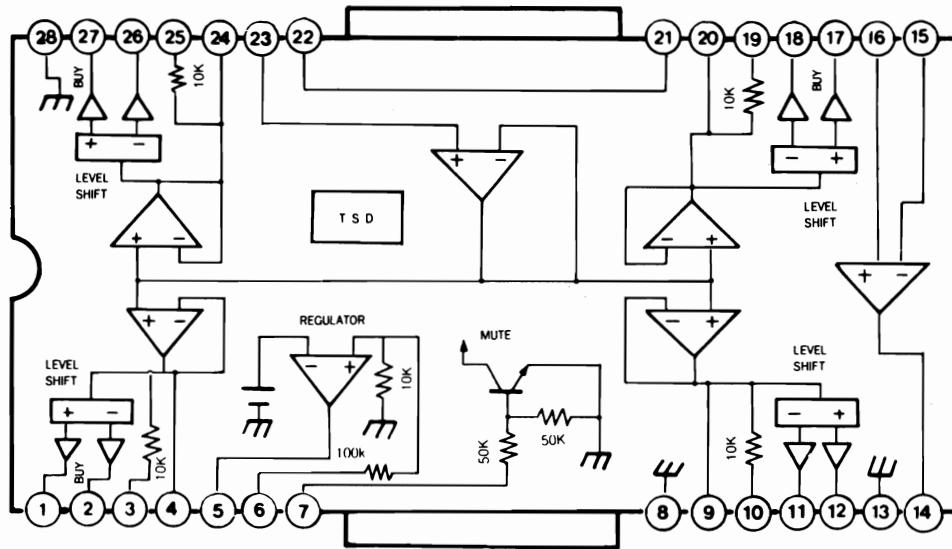


■ KA9270



BLOCK DIAGRAM OF ICs

KA9258

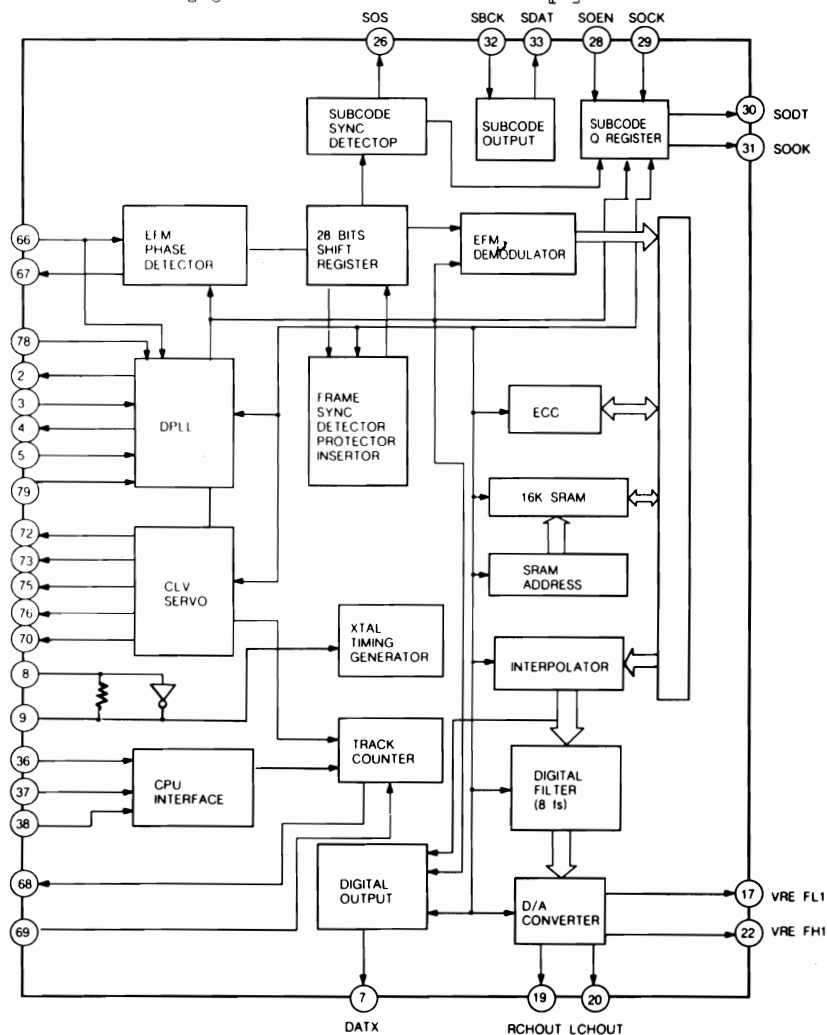
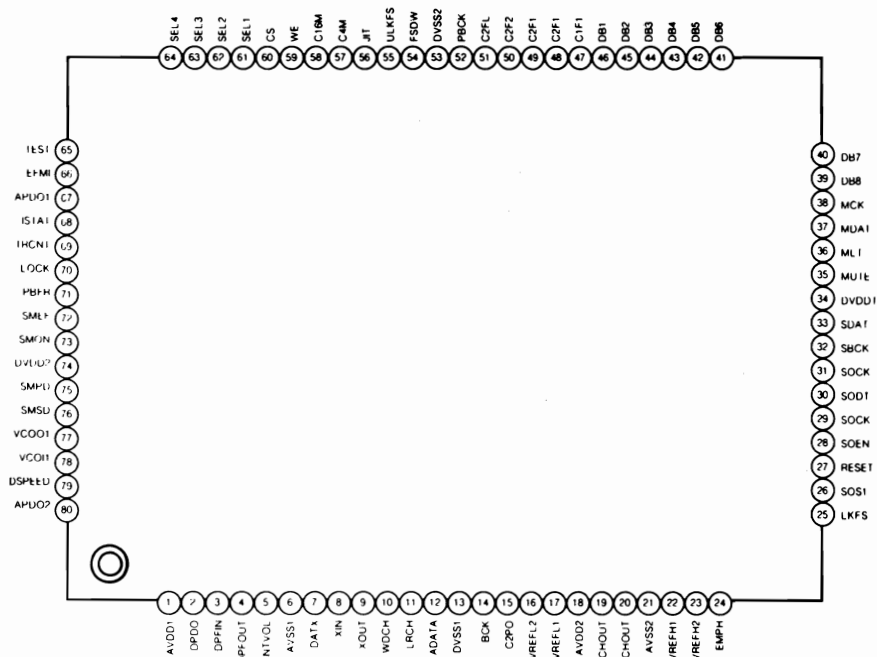


PIN DESCRIPTION

Pin No.	Symbol	I/O	Description
1	DO1.1	O	DRIVE OUTPUT
2	DO1.2	O	DIRVE OUTPUT
3	DI1.1	I	DRIVE INPUT
4	DI1.2	I	DRIVE INPUT
5	REG		REGULATOR
6	REGO	O	REGULATOR OUTPUT
7	MUTE		MUTE
8	GND1		GROUND
9	DI2.1	I	DRIVE INPUT
10	DI2.2	I	DRIVE INPUT
11	DO2.1	O	DRIVE OUPUT
12	DO2.2	O	DRIVE OUTPUT
13	GND2		GROUND
14	OPOUT	O	OPAMP OUTPUT
15	OPIN (-)	I	OPAMP OUTPUT (-)
16	OPIN (+)	I	OPAMP INPUT(+)
17	DO3.1	O	DRIVE OUTPUT
18	DO3.2	O	DRIVE OUTPUT
19	DI3.1	I	DRIVE INPUT
20	DI3.2	I	DRIVE INPUT
21	VCC1		SUPPLY VOLTAGE
22	VCC2		SUPPLY VOLTAGE
23	VREF		2.5V BIAS VOLTAGE
24	SI4.1	I	DRIVE INPUT
25	DI4.2	I	DRIVE INPUT
26	DO4.1	O	DRIVE OUTPUT
27	DO4.2	O	DRIVE OUTPUT
28	GND3		GROUND

BLOCK DIAGRAM OF ICs

KA9282



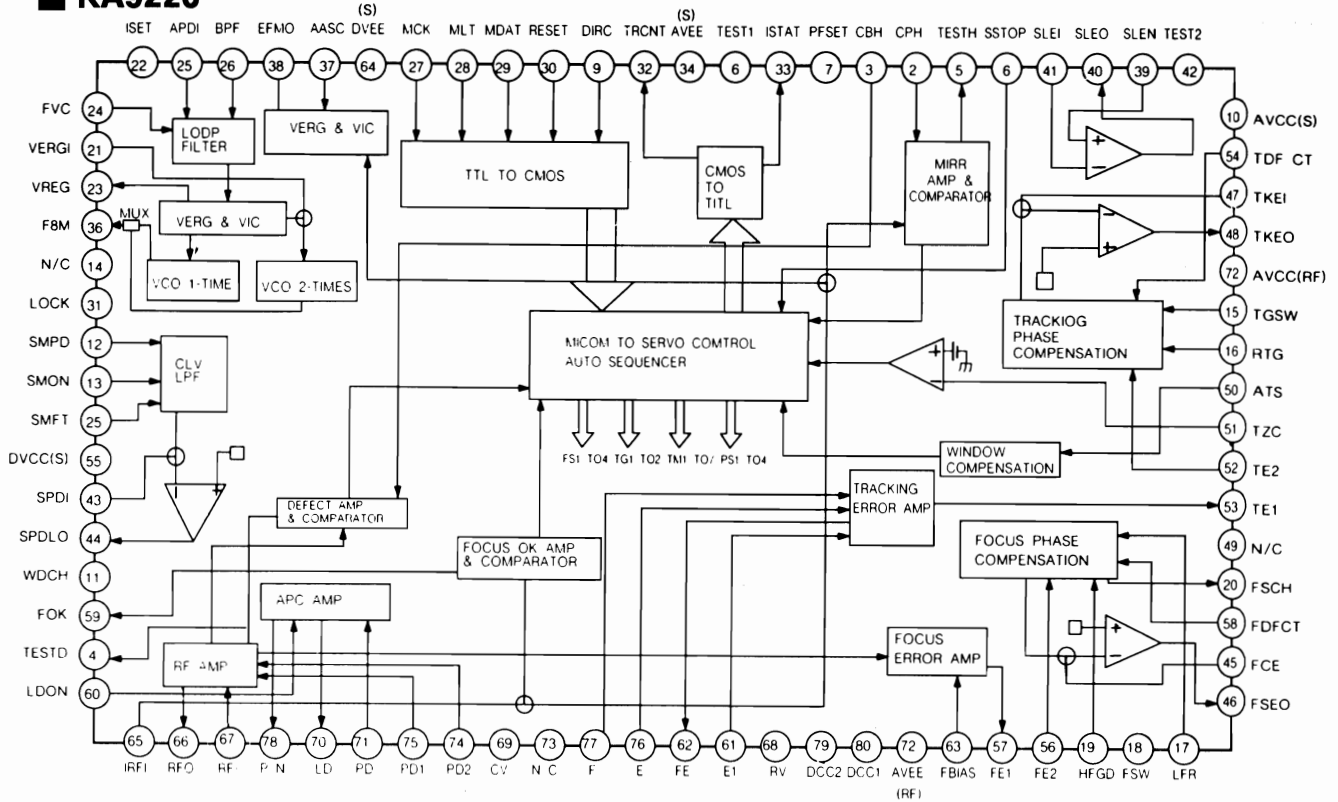
BLOCK DIAGRAM OF ICs

PIN DESCRIPTION

Pin No.	Symbol	I/O	Description	Pin No.	Symbol	I/O	Description
1	AVDD1		Analog Vcc1	43	DB4	I/O	SRAM data I/O Port 4
2	DPD0	O	Charge pump output for master PLL	44	DB3	I/O	SRAM data I/O Port 3
3	DPFIN	I	Filter input for master PLL	45	DB2	I/O	SRAM data I/O Port 2
4	DPFOUT	O	Filter output for master PLL	46	DB1	I/O	SRAM data I/O Port 1 (LSB)
5	CNTVOL	I	VCO control voltage for master PLL	47	C1F1	I/O	Monitoring output for C1 error correction (RA1)
6	AVSS1		Analog Ground 1	48	C1F2	I/O	Monitoring output for C1 error correction (RA2)
7	DATX	O	Digital audio output	49	C2F1	I/O	Monitoring output for C2 error correction (RA3)
8	XIN	I	X-tal oscillator input	50	C2F2	I/O	Monitoring output for C2 error correction (RA4)
9	XOUT	O	X-tal oscillator output	51	C2FL	I/O	C2 decoder flag (High: When the processing C2 code is impossible correction state) (RA5)
10	WDCH	O	Word clock of 48 bit / SLOT (Normal speed=88.2kHz, Double speed=176.4kHz)	52	/PBCK	I/O	Output of VCO / 2 (Normal speed=4.321MHz, Double speed=8.6436MHz) (RA6)
11	LRCH	O	Channel clock of 48 bit / SLOT (Normal speed=44.1kHz, Double speed=88.2kHz)	53	DVss2		Digital Ground 2
12	ADATA	O	Serial audio data output of 48 bit / SLOT (MSB first)	54	FSDW	I/O	Unprotected frame sync (RA7)
13	DVSS1		Digital Ground 1	55	ULKFS	I/O	Frame sync protection state (RA8)
14	BCK	O	Audio data Bit clock for 48 bit / SLOT (Normal speed=2.1168kHz, Double speed=4.2336kHz)	56	/JIT	I/O	Display of either RAM overflow or underflow for ±4 frame Jitter margin (RA9)
15	C2P0	O	C2 pointer for output audio data	57	C4M	I/O	Only monitoring signal (Normal playback: 4.2336MHz) (RA10)
16	VREFL2	I	Input terminal 2 of reference voltage "L" (Floating)	58	C16M	I/O	16.9344MHz signal output (RA11)
17	VREFL1	I	Input terminal 1 of reference voltage "L" (GND Connection)	59	/WE	I/O	Terminal for test
18	AVDD2		Analog VCC2	60	/CS	I/O	Terminal for test
19	RCHOUT	O	Right-Channel audio output through D/A converter	61	SEL1	I	Mode Selection Terminal 1 (H: 33.8688MHz, L: 16.9344MHz)
20	LCHOUT	O	Left-Channel audio output through D/A converter	62	SEL2	I	Mode Selection Terminal 2 (H: APLL L: DPLL)
21	AVSS2		Analog Ground 2	63	SEL3	I	Mode Selection Terminal 3 (H: CDR0M L: CDP)
22	VREFH1	I	Input terminal 1 of reference voltage "H" (V _{DD} connection)	64	SEL4	I	Mode Selection Terminal 4 (L: Internal SRAM)
23	VREFH2	I	Input terminal 2 of reference voltage "H" (Floating)	65	TEST	I	Test Terminal (L=Normal operating state)
24	EMPH	O	Emphasis / Non-Emphasis Output ("H": Emphasis)	66	EFMI	I	EFM Signal input
25	LKFS	O	The Lock Status output of frame sync	67	APDO	O	Charge Pump output for analog PLL
26	SOS1	O	Output of subcode sync signal (S0+S1)	68	/ISTAT	O	The internal status output
27	RESET	I	System reset at "L"	69	TRCNT	I	Tracking counter input signal
28	SQEN	I	SQCK I/O Control ("L": internal CK, "H": external CK)	70	LOCK	O	Output signal of LKFS Condition sampled PBFR / 16 (If LKFS is "H", Lock is "H". If the LKFS is sampled "L" at least 8 times by PBFR / 16, Lock is "L")
29	SQCK	I/O	Clock for output Subcode-Q data	71	PBFR	O	Write frame clock (Lock: 7.35kHz)
30	SQDT	O	Serial output of Subcode-Q data	72	SMEF	O	LPF time constant control of the spindle servo error signal
31	SQOK	O	The CRC check result signal output of subcode-Q	73	SMON	O	ON / OFF control signal for spindle servo
32	SBCK	I	CLOCK for output subcode-Q data	74	DV _{DD} 2		Digital Vcc 2
33	SDAT	O	Subcode serial data output	75	SMPD	O	Spindle Motor drive (Rough control in the CLV-S mode Phase control in the CLV-P mode)
34	DV _{DD} 1		Digital Vcc1	76	SMSD	O	Spindle Motor drive (Velocity control in the CLV-P mode)
35	MUTE	I	Mute control Input ("H": Mute on)	77	VC ₀₀	O	Vco output signal (When the state is lock by means of PBFR, it is 8.643MHz)
36	MLT	I	Latch Signal Input from Micom	78	VC ₀₁	I	VCO input signal
37	MDAT	I	Serial data Input from Micom	79	DSPEED	I	Double speed mode control (H: Normal Speed, L: Double Speed)
38	MCK	I	Serial Clock Input from Micom	80	APD02	O	Analog PLL Charge Pump output for Double Speed mode
39	DB8	I/O	SRAM data I/O Port 8 (MSB)				
40	DB7	I/O	SRAM data I/O Port 7				
41	DB6	I/O	SRAM data I/O Port 6				
42	DB5	I/O	SRAM data I/O Port 5				

BLOCK DIAGRAM OF ICs

KA9220

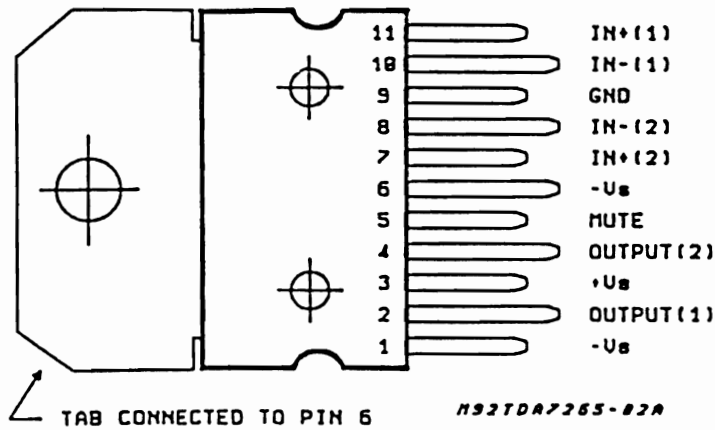


PIN DESCRIPTION

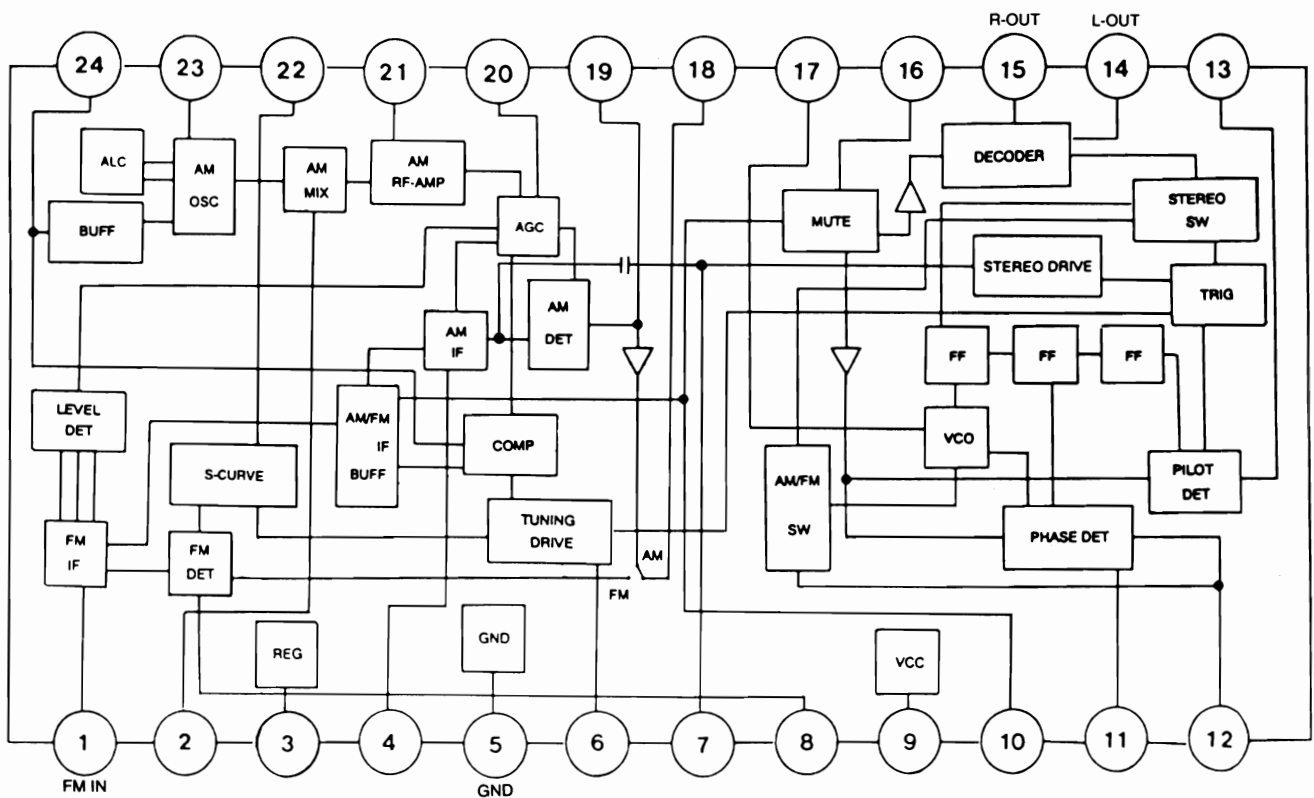
Pin No.	System	Description	Pin No.	System	Description
1	AVEE (R)	Analog negative power supply input pin for RF part	39	SLEN	Non-inverting input pin of SLED SERVO amplifier
2	CPH	Capacitor connection pin of mirror hold.	40	SLE0	Output pin of SLED SERVO amplifier
3	CBH	Capacitor connection pin of defect bottom-hold	41	SLE1	Inverting input pin of SLED SERVO amplifier
4	TESTD	Defect test pin	42	TEST2	Test input pin to change speed mode Normal speed="H", Double speed="L"
5	TESTM	Mirror test pin	43	SPD1	Inverting input pin of spindle servo amplifier
6	Test1	Input pin for test	44	SPDLO	Spindle servo amplifier output pin
7	PFSET	Peak frequency setting pin for focus, tracking compensation and fc (cut off frequency) of CLV LPF.	45	FCE	Inverting input pin of focus servo compfier.
8	SSTOP	Check the position pin of pick-up whether inside or not	46	FSEO	output pin of focus servo amplifier
9	DIRC	Direct 1 Track Jump Control Pin	47	TKE1	Non-inverting input pin of tracking servo amplifier
10	AVCC (S)	Analog positive power supply input pin for SERVO part.	48	TKE0	Output pin of tracking servo amplifier
11	WDCH	Auto-sequencer clock-input pin (Normal speed=88.2kHz, Double speed=176.4kHz)	49	N/C	No connection
12	SMPD	Connection pin of DSP SMPD	50	ATS	Anti-shock input pin
13	SMON	Connection pin of DSP SMON, spindle servo ON at "H"	51	TZC	Tracking Zero Crossing input pin
14	N/C	No connection pin	52	TE2	Tracking Error Servo input pin
15	TGSW	Providing time constant to change the high frequency tracking gain	53	TE1	Output pin of tracking Error Amplifier
16	RTG	Capacitor connection pin switch the tracking gain of high frequency	54	TDFC	Capacitor Connection pin for Defect Compensation of tracking servo
17	LFR	Capacitor connection pin to perform rising low bandwidth of focus servo loop	55	DVCC (S)	Digital positive power supply input pin for servo part
18	FSW	High frequency gain of focus servo loop can be changed by FS3 switch ON or OFF	56	FE2	Focus error servo input pin
19	HFGD	Reducing high frequency gain with capacitor connected between pin 18 and pin 19.	57	FE1	Output pin of focus error Amplifier
20	FSCH	Time constant external pin to generate focus search waveform	58	DFCT	Capacitor connection pin for defect compensation of focus servo
21	VERG1	External regulator voltage input pin for VCO	59	FOK	Output pin of Focus ok comparator.
22	ISET	Determining the peak value of focus search, track jump and SLED kick	60	LDON	Laser diode ON/OFF control pin
23	VREG	3.5V Regulator output pin	61	E1	Feedback input pin of E 1-V amplifier
24	FVC	Pin connected external resistor to adjust free running frequency of VCO	62	E0	Output pin of E 1-V Amplifier
25	SMEF	Providing an external LPF time constant of CLV SERVO Loop	63	FBAS	Bias pin of non-inverting input of focus error amplifier
26	BPF	Providing time constant for Loop filter of VCO	64	DVEE (S)	Digital negative power supply input pin for servo part
27	MCK	Clock input pin from micom	65	RF1	Output Signal of RF summing amplifier is inputted through capacitor
28	MLT	Latch input pin from micom	66	RF0	Output pin of RF summing amplifier
29	M DAT	Data input pin from micom	67	RF-	Inverting input pin of RF summing amplifier
30	RESET	Reset input pin from micom, reset at "L"	68	RV	Output pin of (AVCC+AVEE)/2 Voltage
31	LOCK	Pin for operation of the sled runaway prevention function at "L"	69	CV	Bias input pin of Center Voltage buffer
32	TRCNT	Track count output pin	70	LD	Output pin of APC amplifier
33	ISTAT	Internal status output pin	71	PD	Input pin of APC amplifier
34	AVEE (S)	Analog negative power supply input pin for SERVO part	72	AVCC (R)	Analog positive power supply input pin for RF part
35	APD1	Input pin of DSP phase comparison output (PHAS)	73	N/C	No connection
36	F8M	Output pin of analog VCO Normal speed=8.64MHz, Double speed=17.28MHz	74	PD2	Inverting input pin of RF 1-V AMP2
37	AASC	Auto-Asymmetry control input pin	75	PD1	Inverting input pin of RF 1-V AMP1
38	EFMO	EFM comparator output pin	76	F	Inverting input pin of F1-V AMP
			77	E	Inverting input pin of E 1-V AMP
			78	P / N	Selecting P-sub / N-sub of Laser diode
			79	DCC2	Defect bottom-hold output is inputted through capacitor
			80	DCC1	Output pin of defect bottom-hold

BLOCK DIAGRAM OF ICs

■ TDA7265

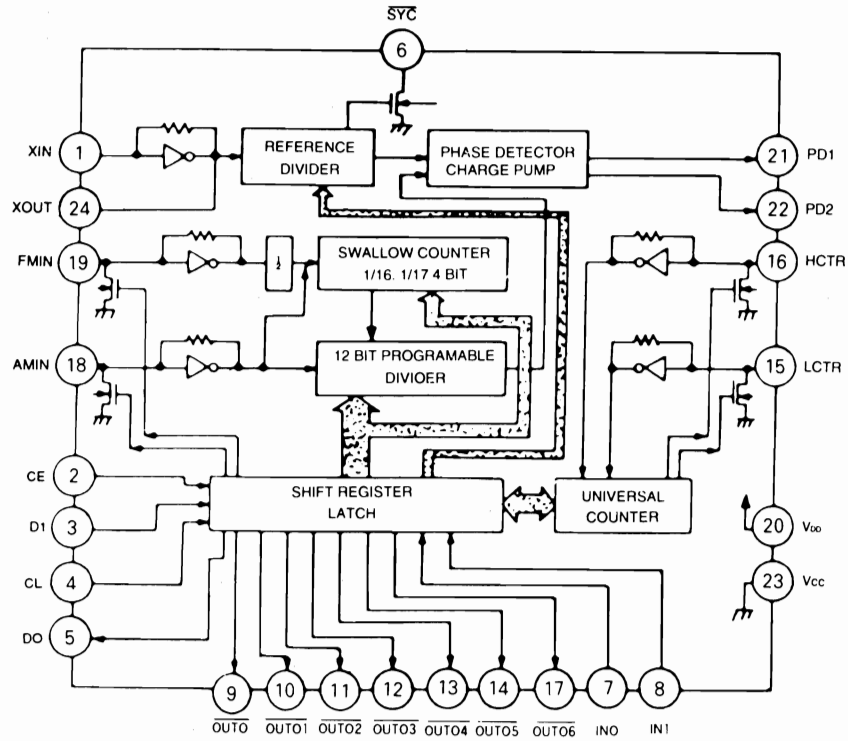


■ LA 1832

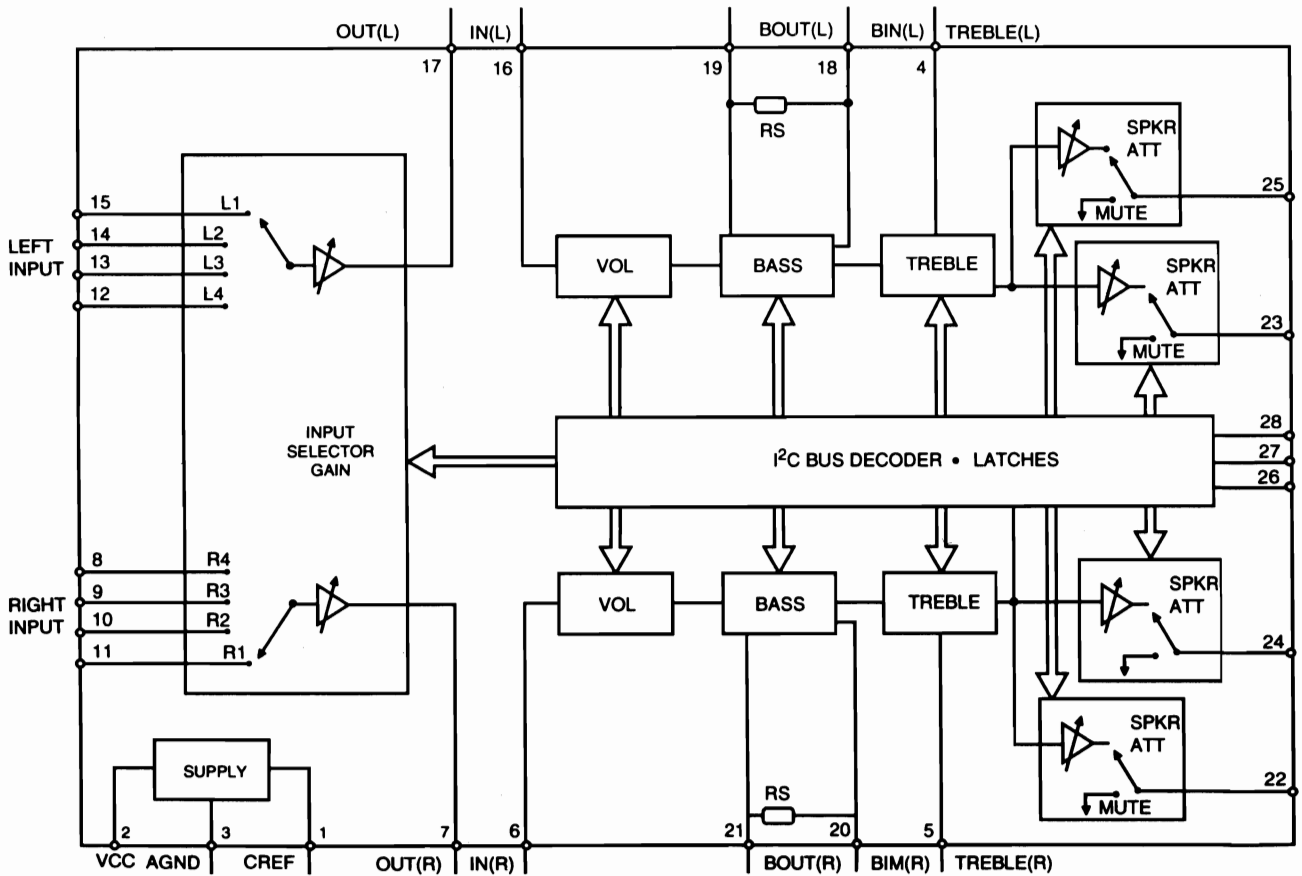


BLOCK DIAGRAM OF ICs

LC7218

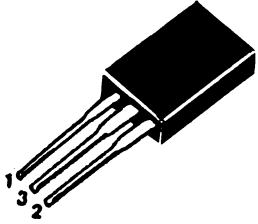


TDA7318D

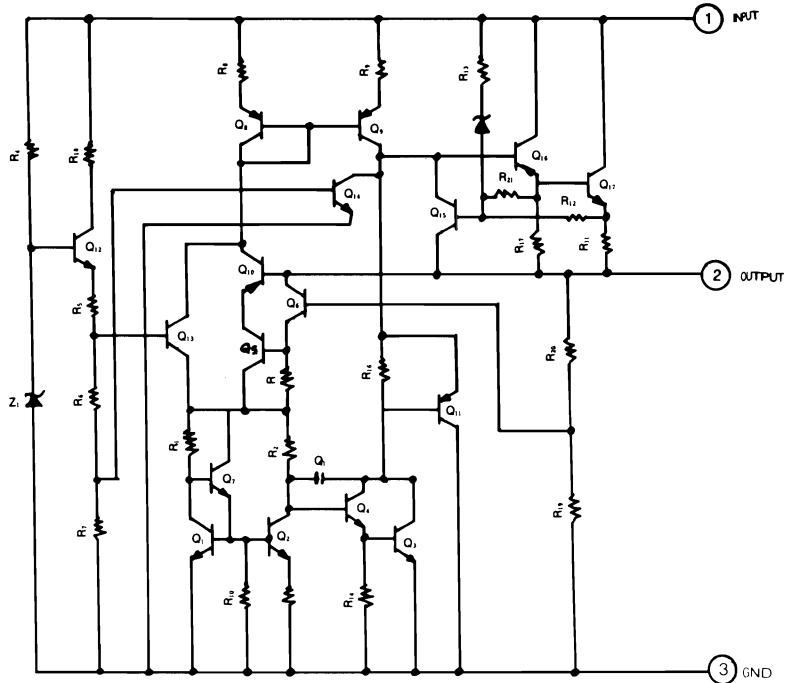


BLOCK DIAGRAM OF ICs

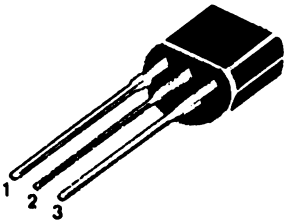
■ KIA78XXP1



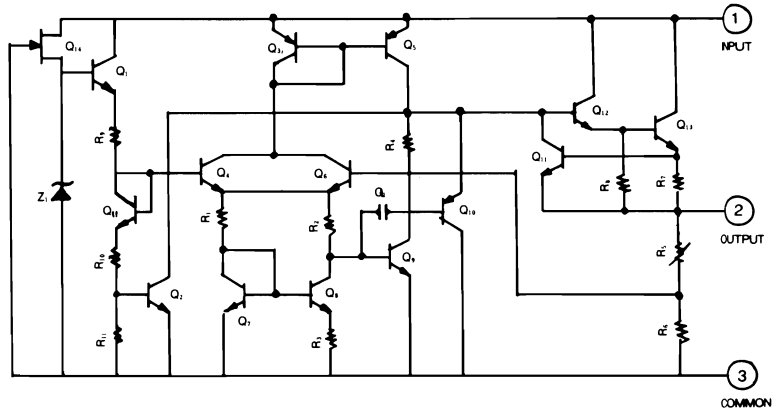
- 1. INPUT
- 2. OUTPUT
- 3. GND



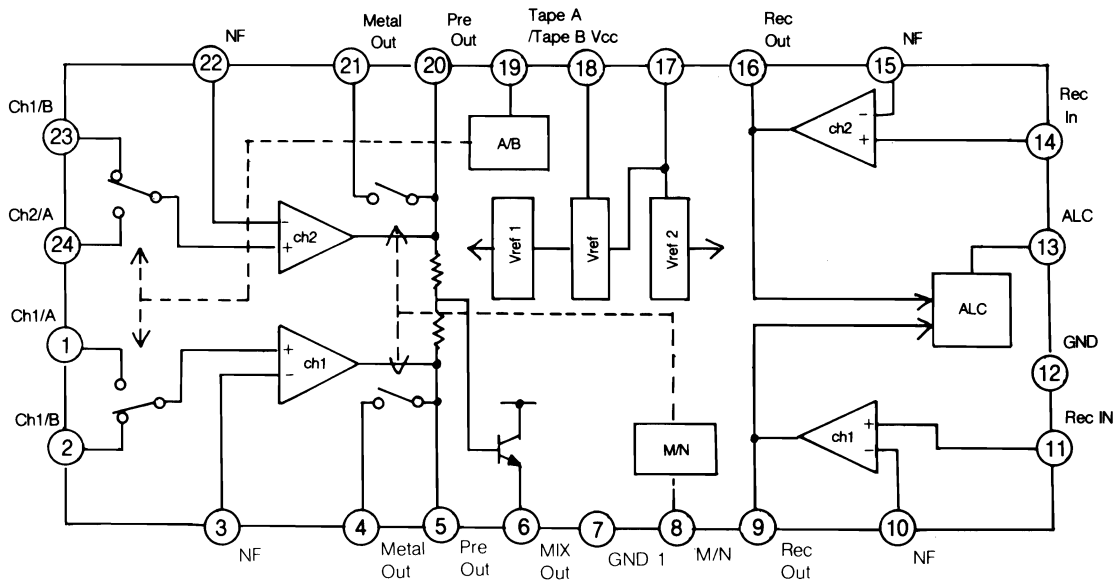
■ KIA78S05P



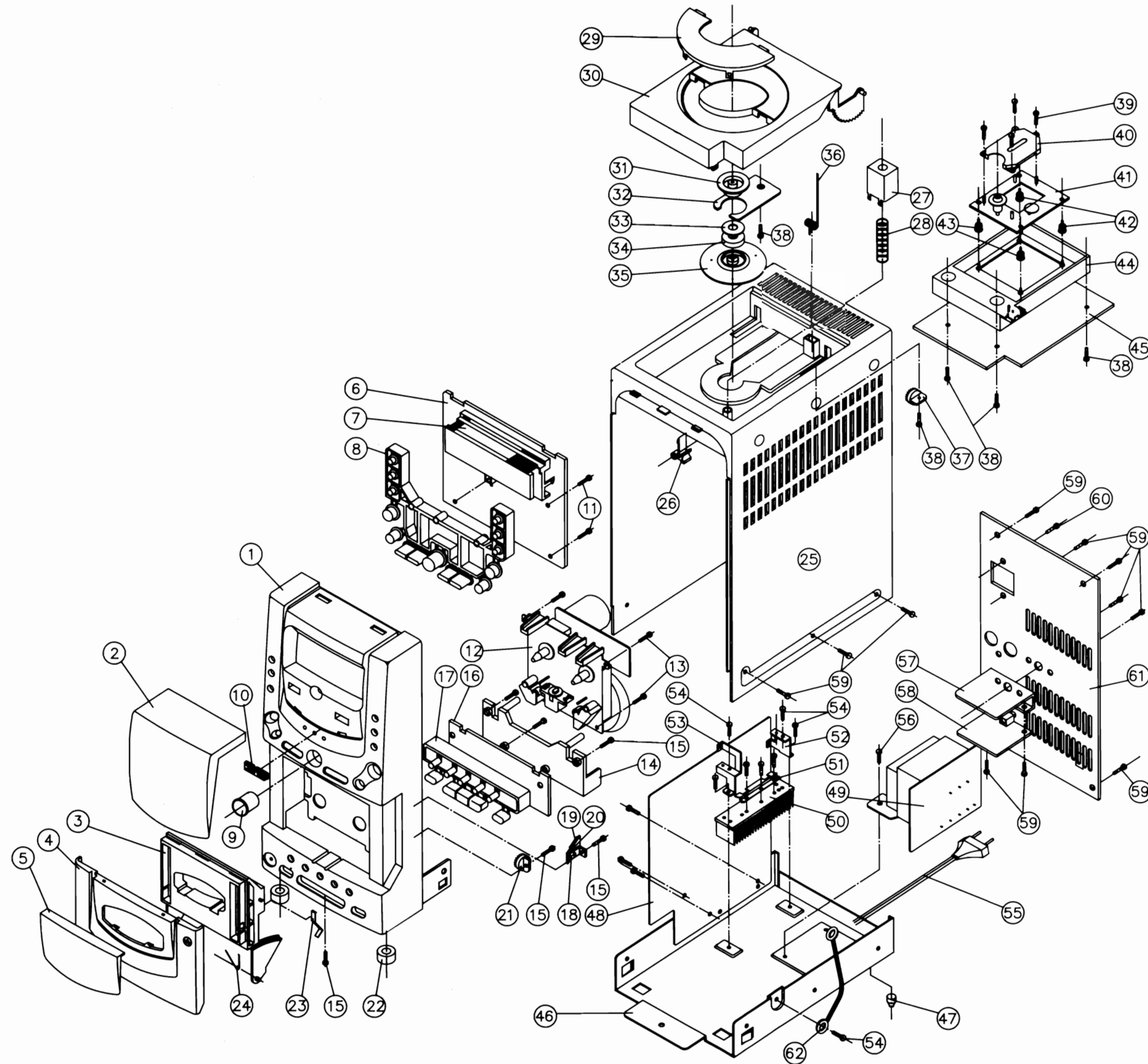
- 1. INPUT
- 2. OUTPUT
- 3. COMMON



■ KIA6289N

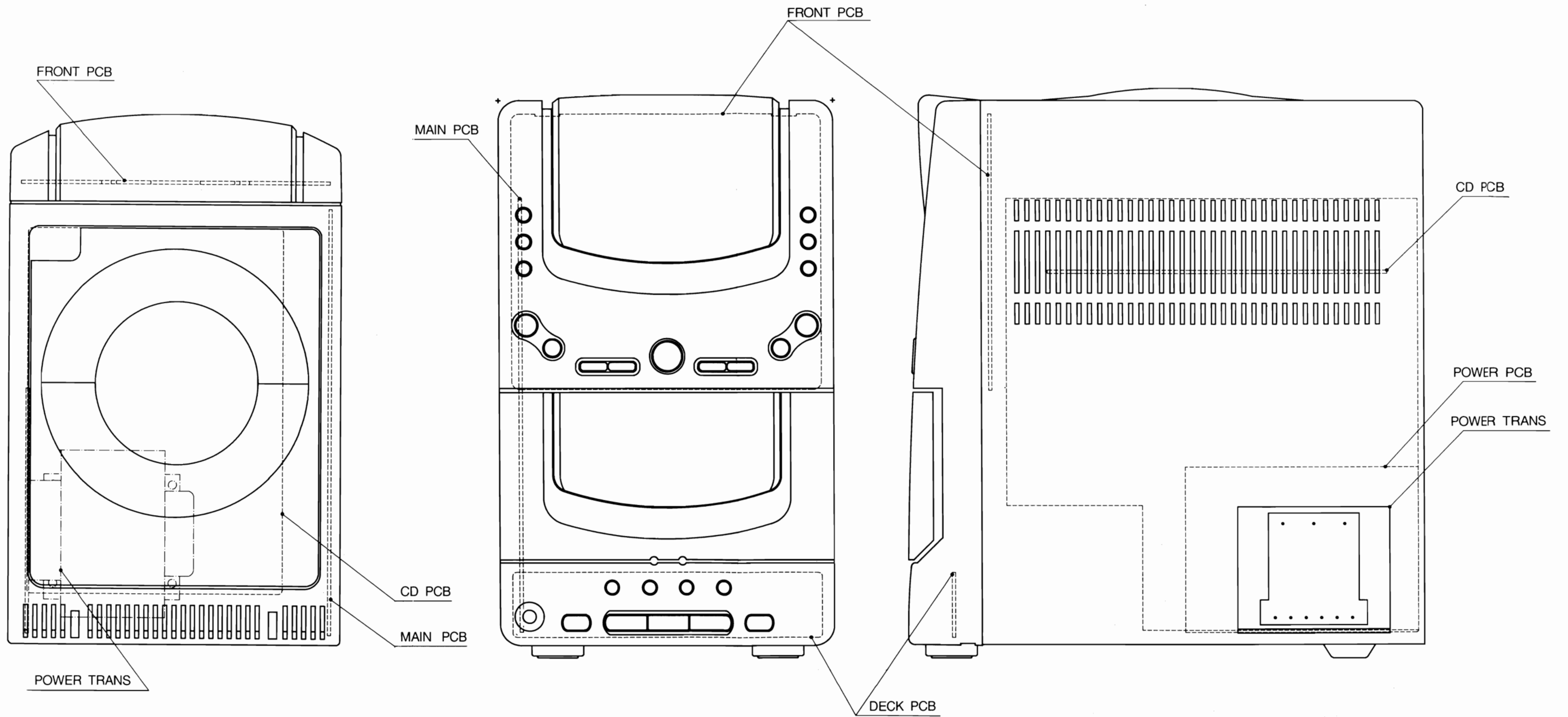


EXPLODED VIEW



NO	PART NO	DESCRIPTION	Q'TY
1	306002000101	PANEL FRONT	1
2	507002000201	WINDOW FIP	1
3	504002000101	DOOR CST	1
4	431702000101	COVER DOOR	1
5	507000001201	WINDOW CST	1
6	702801700003	PCB FRONT	1
7	432002003101	HOLDER FIP	1
8	509002000101	BUTTON FUNCTION	1
9	512002000101	DECORATION POWER	1
10	563000045000	BADGE AKAI	1
11	B010HC6083B6	SCREW TAP BH + 2S 3 * 8 B" TITE BK	5
12	815000031002	DECK	1
13	B010HC6083B6	SCREW TAP BH + 2S 3 * 8 B" TITE BK	4
14	432002002101	HOLDER DECK	1
15	B010HC6083B6	SCREW TAP BH + 2S 3 * 8 B" TITE BK	7
16	702801701001	PCB S/W	1
17	509002001101	BUTTON DECK	1
18	435002000101	GUIDE EJECT	1
19	432002001101	HOLDER GUIDE	1
20	372002003601	SPRING E/T GUIDE	1
21	247000048000	GEAR DAMPER	1
22	400009001901	FOOT B'	2
23	372002000601	SPRING TAPE	2
24	372002002601	SPRING E/T CST	1
25	303002000101	CASE UPPER	1
26	253002000101	LEVER E/T CD	1
27	508002000101	KNOB E/T CD	1
28	372002001601	SPRING E/T CD	1
29	507002002201	WINDOW CD	1
30	504002001101	DOOR CD	1
31	433002002101	CLAMP CD A'	1
32	432002004101	HOLDER CLAMP	1
33	431002002601	COVER MAGNET	1
34	760000006001	MAGNET CLAMP	1
35	433002001101	CLAMP CD B'	1
36	372002004601	SPRING CD	1
37	247000048000	GEAR DAMPER	1
38	B010HC6083B6	SCREW TAP BH + 2S 3 * 8 B" TITE BK	6
39	B010HB3063B1	SCREW TAP BH + 2S 2 * 6 B" TITE BK	4
40	431002001101	COVER MD	1
41	803000650000	MECHA CD	1
42	405002000901	CUSHION MD (30" BK)	2
43	405002003901	CUSHION MD (40" NATURAL)	2
44	432002000101	HOLDER MD	1
45	702801699002	PCB CD	1
46	320002001601	CHASSIS MAIN	1
47	400002000901	FOOT A'	2
48	702801697002	PCB MAIN	1
49	702801698002	PCB POWER	1
50	212002000801	HEAT SINK	1
51	401002002601	BKT IC	1
52	401002000601	BKT H/S A'	1
53	401002001601	BKT H/S B'	1
54	B010HC6083B6	SCREW TAP BH + 2S 3 * 6 B" TITE BK	10
55	L06100096002	POWER CORD	1
56	B020HF8081B2	SCREW SPECIAL + 3S 4 * 8 B" TITE YL	4
59	B010HC6083B6	SCREW TAP BH + 2S 3 * 8 B" TITE BK	12
60	B010HB6103B0	SCREW TAP BH + 2S 3 * 10 B" TITE BK	5
61	320002001601	CHASSIS BACK	1
62	841000048001	GND TERMINAL	1

PRINCIPAL PARTS LOCATION



ELECTRICAL PARTS LIST

■ MAIN PCB ASSY			
Ref. No	Part No.	Description	
CF601	E43010R70010	FILTER, CERAMIC FM	SFE10.7MJA10H-A
CF602	E43010R70010	FILTER, CERAMIC FM	SFE10.7MJA10H-A
CF605	E43010R70081	FILTER, CERAMIC FM	CDA10.7MG46-A
CF606	E83045600003	RESONATOR, CERAMIC	CSB456F15
CN201	L00001768001	CN, WIRE	6P/8P-180MM(WH/RD/BK)
CN501	L00001769001	CN, WIRE	7P-150MM(RD/WH)
CN502	L00001770001	CN, WIRE	8P-160MM(BK/WH)
C001	D04010008705	C, ELECT GE 85C	10UF-M/50V, 5 * 11-5RE
C002	D00510227726	C, CERAMIC HIK AXIAL	B0.001UF-K/50V-26RE
C003	D0402R208705	C, ELECT GE 85C	2.2UF-M/50V, 5 * 11-5RE
C004	D04033008305	C, ELECT GE 85C	33UF-M/16V, 5 * 11-5RE
C005	D04047008205	C, ELECT GE 85C	47UF-M/10V, 5 * 11-5RE
C008	D04001008705	C, ELECT GE 85C	1UF-M/50V, 5 * 11-5RE
C009	D00610459705	C, CERAMIC SEMI DISC	F0.1UF-Z/50V-5RE PI6
C010	D00712278326	C, CERAMIC SEMI AXIAL	X0.0012UF-M/16V-26RE
C020	D00510127726	C, CERAMIC HIK AXIAL	B100PF-K/50V-26RE
C021	D04022008305	C, ELECT GE 85C	22UF-M/16V, 5 * 11-5RE
C022	D04010108305	C, ELECT GE 85C	100UF-M/16V, 6.3 * 11-5RE
C023	D00110006726	C, CERAMIC T.C AXIAL	SL10PF-J/50V-26RE
C024	D04047008205	C, ELECT GE 85C	47UF-M/10V, 5 * 11-5RE
C025	D00710388326	C, CERAMIC SEMI AXIAL	Y0.01UF-M/16V-26RE
C029	D00522359426	C, CERAMIC HIK AXIAL	F0.022UF-Z/25V-26RE
C030	D00522359426	C, CERAMIC HIK AXIAL	F0.022UF-Z/25V-26RE
C051	D04010008705	C, ELECT GB 85C	10UF-M/50V, 5 * 11-5RE
C052	D00510227726	C, CERAMIC HIK AXIAL	B0.001UF-K/50V-26RE
C053	D0402R208705	C, ELECT GE 85C	2.2UF-M/50V, 5 * 11-5RE
C054	D04033008305	C, ELECT GE 85C	33UF-M/16V, 5 * 11-5RE
C059	D00610459705	C, CERAMIC SEMI DISC	F0.1UF-Z/50V-5RE PI6
C060	D00712278326	C, CERAMIC SEMI AXIAL	X0.0012UF-M/16V-26RE
C070	D00510127726	C, CERAMIC HIK AXIAL	B100PF-K/50V-26RE
C071	D04022008305	C, ELECT GE 85C	22UF-M/16V, 5 * 11-5RE
C072	D04010108305	C, ELECT GE 85C	100UF-M/16V, 6.3 * 11-5RE
C073	D00110006726	C, CERAMIC T.C AXIAL	SL10PF-J/50V-26RE
C074	D04047008205	C, ELECT GE 85C	47UF-M/10V, 5 * 11-5RE
C075	D00710388326	C, CERAMIC SEMI AXIAL	Y0.01UF-M/16V-26RE
C080	D00522359426	C, CERAMIC HIK AXIAL	F0.022UF-Z/25V-26RE
C099	D04022108205	C, ELECT GE 85C	220UF-M/10V, 6.3 * 11-5RE
C100	D00468127705	C, CERAMIC HIK DISC	B680PF-K/50V-5RE
C101	D00533127726	C, CERAMIC HIK AXIAL	B330PF-K/50V-26RE
C102	D02012316705	C, FILM MYLAR	MI-0.012UF-J/50V-5RE
C103	D04022008305	C, ELECT GE 85C	22UF-M/16V, 5 * 11-5RE
C105	D0404R708705	C, ELECT GE 85C	4.7UF-M/50V, 5 * 11-5RE
C106	D04010108305	C, ELECT GE 85C	100UF-M/16V, 6.3 * 11-5RE
C107	D04022008305	C, ELECT GE 85C	22UF-M/16V, 5 * 11-5RE
C108	D0404R708705	C, ELECT GE 85C	4.7UF-M/50V, 5 * 11-5RE
C109	D00510227726	C, CERAMIC HIK AXIAL	B0.001UF-K/50V-26RE
C110	D0404R708705	C, ELECT GE 85C	4.7UF-M/50V, 5 * 11-5RE

ELECTRICAL PARTS LIST

■ MAIN PCB ASSY

Ref. No	Part No.	Description	
C111	D0402R208705	C, ELECT GE 85C	2.2UF-M/50V, 5 * 11-5RE
C112	D04010108305	C, ELECT GE 85C	100UF-M/16V, 6.3 * 11-5RE
C113	D04010108305	C, ELECT GE 85C	100UF-M/16V, 6.3 * 11-5RE
C114	D04022008305	C, ELECT GE 85C	22UF-M/16V, 5 * 11-5RE
C115	D0404R708705	C, ELECT GE 85C	4.7UF-M/50V, 5 * 11-5RE
C116	D040R680702	C, ELECT GE 85C	0.68UF-M/50V, 3 * 5-2.5RE
C117	D04001008705	C, ELECT GE 85C	1UF-M/50V, 5 * 11-5RE
C118	D04010008705	C, ELECT GE 85C	10UF-M/50V, 5 * 11-5RE
C119	D00568127726	C, CERAMIC HIK AXIAL	B680PF-K/50V-26RE
C120	D00522127726	C, CERAMIC HIK AXIAL	B220PF-K/50V-26RE
C121	D040R4708705	C, ELECT GE 85C	0.47UF-M/50V, 5 * 11-5RE
C122	D02018316705	C, FILM MYLAR	MI-0.018UF-J/50V-5RE
C123	D00110006726	C, CERMAIC T.C AXIAL	SL10PF-J/50V-26RE
C124	D04010108206	C, ELECT GE 85C	100UF-M/10V, 5 * 11-5RE
C125	D02015216705	C, FILM MYLAR	MI-0.0015UF-J/50V-5RE
C126	D02022316705	C, FILM MYLAR	MI-0.022UF-J/50V-5RE
C127	D02033216705	C, FILM MYLAR	MI-0.0033UF-J/50V-5RE
C128	D02047216705	C, FILM MYLAR	MI-0.0047UF-J/50V-5RE
C129	D02012316705	C, FILM MYLAR	MI-0.012UF-J/50V-5RE
C130	D04010108305	C, ELECT GE 85C	100UF-M/16V, 6.3 * 11-5RE
C131	D00582128726	C, CERAMIC HIK AXIAL	B820PF-M/50V-26RE
C132	D00515127726	C, CERAMIC HIK AXIAL	B150PF-K/50V-26RE
C133	D00422127705	C, CERAMIC HIK DISC	B220PF-K/50V-5RE
C134	D00522359426	C, CERMAIC HIK AXIAL	F0.022UF-Z/25V-26RE
C135	D04010108305	C, ELECT GE 85C	100UF-M/16V, 6.3 * 11-5RE
C136	D0404R708705	C, ELECT GE 85C	4.7UF-M/50V, 5 * 11-5RE
C137	D00522359426	C, CERMAIC HIK AXIAL	F0.022UF-Z/25V-26RE
C138	D02018216705	C, FILM MYLAR	MI-0.0018UF-J/50V-5RE
C139	D02010316705	C, FILM MYLAR	MI-0.01UF-J/50V-5RE
C140	D02022316705	C, FILM MYLAR	MI-0.022UF-J/50V-5RE
C141	D02015316705	C, FILM MYLAR	MI-0.015UF-J/50V-5RE
C142	D04010108305	C, ELECT GE 85C	100UF-M/16V, 6.3 * 11-5RE
C143	D04010108305	C, ELECT GE 85C	100UF-M/16V, 6.3 * 11-5RE
C144	D04047008205	C, ELECT GE 85C	47UF-M/10V, 5 * 11-5RE
C149	D0402R208705	C, ELECT GE 85C	2.2UF-M/50V, 5 * 11-5RE
C150	D00468127705	C, CERAMIC HIK DISC	B680PF-K/50V-5RE
C151	D00533127726	C, CERAMIC HIK AXIAL	B330PF-K/50V-26RE
C152	D02012316705	C, FILM MYLAR	MI-0.0012UF-J/50V-5RE
C153	D04022008305	C, ELECT GE 85C	22UF-M/16V, 5 * 11-5RE
C155	D0404R708705	C, ELECT GE 85C	4.7UF-M/50V, 5 * 11-5RE
C159	D00510227726	C, CERAMIC HIK AXIAL	B0.001UF-K/50V-26RE
C160	D0404R708705	C, ELECT GE 85C	4.7UF-M/50V, 5 * 11-5RE
C161	D0402R208705	C, ELECT GE 85C	2.2UF-M/50V, 5 * 11-5RE
C163	D04010008705	C, ELECT GE 85C	10UF-M/50V, 5 * 11-5RE
C165	D0404R708705	C, ELECT GE 85C	4.7UF-M/50V, 5 * 11-5RE
C166	D040R6808702	C, ELECT GE 85C	0.68UF-M/50V, 3 * 5-2.5RE
C167	D04001008705	C, ELECT GE 85C	1UF-M/50V, 5 * 11-5RE

ELECTRICAL PARTS LIST

■ MAIN PCB ASSY			
Ref. No	Part No.	Description	
C169	D00568127726	C, CERAMIC HIK AXIAL	B680PF-K/50V-26RE
C170	D00522127726	C, CERAMIC HIK AXIAL	B220PF-K/50V-26RE
C171	D040R4708705	C, ELECT GE 85C	0.47UF-M/50V, 5 * 11-5RE
C172	D02018316705	C, FILM MYLAR	MI-0.018UF-J/50V-5RE
C173	D00110006726	C, CERAMIC T.C AXIAL	SL10PF-J/50V-26RE
C174	D04010108206	C, ELECT GE 85C	100UF-M/10V, 5 * 11-5RE
C175	D02015216705	C, FILM MYLAR	MI-0.0015UF-J/50V-5RE
C176	D02022316705	C, FILM MYLAR	MI-0.022UF-J/50V-5RE
C177	D02033216705	C, FILM MYLAR	MI-0.0033UF-J/50V-5RE
C178	D02047216705	C, FILM MYLAR	MI-0.0047UF-J/50V-5RE
C179	D02012316705	C, FILM MYLAR	MI-0.012UF-J/50V-5RE
C180	D04010108305	C, ELECT GE 85C	100UF-M/16V, 6.3 * 11-5RE
C181	D00582128726	C, CERAMIC HIK AXIAL	B820PF-M/50V-26RE
C182	D00515127726	C, CERAMIC HIK AXIAL	B150PF-K/50V-26RE
C183	D00422127705	C, CERAMIC HIK DISC	B220PF-K/50V-5RE
C185	D00522359426	C, CERAMIC HIK AXIAL	F0.022UF-Z/25V-26RE
C198	D04022008305	C, ELECT GE 85C	22UF-M/16V, 5 * 11-5RE
C199	D0402R208705	C, ELECT GE 85C	2.2UF-M/50V, 5 * 11-5RE
C301	D00522127726	C, CERAMIC HIK AXIAL	B220PF-K/50V-26RE
C305	D04047108302	C, ELECT GE 85C	470UF-M/16V, 8 * 11.5 L 5-RE
C306	D00510227726	C, CERAMIC HIK AXIAL	B0.001UF-K/50V-26RE
C307	D04022008305	C, ELECT GE 85C	22UF-M/16V, 5 * 11-5RE
C309	D04010008705	C, ELECT GE 85C	10UF-M/50V, 5 * 11-5RE
C310	D0402R208705	C, ELECT GE 85C	2.2UF-M/50V, 5 * 11-5RE
C311	D0402R208705	C, ELECT GE 85C	2.2UF-M/50V, 5 * 11-5RE
C312	D0402R208705	C, ELECT GE 85C	2.2UF-M/50V, 5 * 11-5RE
C313	D04010008705	C, ELECT GE 85C	10UF-M/50V, 5 * 11-5RE
C314	D04010008705	C, ELECT GE 85C	10UF-M/50V, 5 * 11-5RE
C315	D040R3308705	C, ELECT GE 85C	0.33UF-M/50V, 5 * 11-5RE
C316	D00610459705	C, CERAMIC SEMI DISC	F0.1UF-Z/50V-5RE PI6
C351	D00522127726	C, CERAMIC HIK AXIAL	B220PF-K/50V-26RE
C356	D00510227726	C, CERAMIC HIK AXIAL	B0.001UF-K/50V-26RE
C359	D04010008705	C, ELECT GE 85C	10UF-M/50V, 5 * 11-5RE
C360	D0402R208705	C, ELECT GE 85C	2.2UF-M/50V, 5 * 11-5RE
C361	D0402R208705	C, ELECT GE 85C	2.2UF-M/50V, 5 * 11-5RE
C362	D0402R208705	C, ELECT GE 85C	2.2UF-M/50V, 5 * 11-5RE
C363	D04010008705	C, ELECT GE 85C	10UF-M/50V, 5 * 11-5RE
C364	D04010008705	C, ELECT GE 85C	10UF-M/50V, 5 * 11-5RE
C365	D040R3308705	C, ELECT GE 85C	0.33UF-M/50V, 5 * 11-5RE
C366	D00610459705	C, CERAMIC SEMI DISC	F0.1UF-Z/50V-5RE PI6
C501	D02047316705	C, FILM MYLAR	MI-0.047UF-J/50V-5RE
C502	D02047316705	C, FILM MYLAR	MI-0.047UF-J/50V-5RE
C503	D02047316705	C, FILM MYLAR	MI-0.047UF-J/50V-5RE
C504	D02047316705	C, FILM MYLAR	MI-0.047UF-J/50V-5RE
C505	D04033208401	C, ELECT GE 85C	3300UF-M/25V, 16 * 25 L BLK
C506	D04022108305	C, ELECT GE 85C	220UF-M/16V, 8 * 11.5-5RE
C507	D04047108302	C, ELECT GE 85C	470UF-M/16V, 8 * 11.5 L 5-RE

ELECTRICAL PARTS LIST

MAIN PCB ASSY

Ref. No	Part No.	Description
C508	D04047108302	C, ELECT GE 85C 470UF-M/16V, 8*11.5 L 5-RE
C509	D04022108205	C, ELECT GE 85C 220UF-M/10V, 6.3*11-5RE
C510	D04001008705	C, ELECT GE 85C 1UF-M/50V, 5*11-5RE
C512	D00410327705	C, CERAMIC HIK DISC B0.01UF-K/50V-5RE
C513	D04047008705	C, ELECT GE 85C 47UF-M/50V, 6.3*11-5RE
C514	D04010108505	C, ELECT GE 85C 100UF-M/35V, 8*11.5-5RE
C515	D00410327705	C, CERAMIC HIK DISC B0.01UF-K/50V-5RE
C516	D00410327705	C, CERAMIC HIK DISC B0.01UF-K/50V-5RE
C518	D04010108505	C, ELECT GE 85C 100UF-M/35V, 8*11.5-5RE
C519	D04010108505	C, ELECT GE 85C 100UF-M/35V, 8*11.5-5RE
C555	D04033208401	C, ELECT GE 85C 3300UF-M/25V, 16*25 L BLK
C556	D04022108305	C, ELECT GE 85C 220UF-M/16V, 8*11.5-5RE
C601	D00422359705	C, CERAMIC HIK DISC F0.022UF-Z/50V-5RE
C602	D00422359705	C, CERAMIC HIK DISC F0.022UF-Z/50V-5RE
C603	D00710388326	C, CERAMIC SEMI AXIAL Y0.01UF-M/16V-26RE
C604	D04010008705	C, ELECT GE 85C 10UF-M/50V, 5*11-5RE
C605	D00522359426	C, CERAMIC HIK AXIAL F0.022UF-Z/25V-26RE
C609	D04010008705	C, ELECT GE 85C 10UF-M/50V, 5*11-5RE
C610	D04001008705	C, ELECT GE 85C 1UF-M/50V, 5*11-5RE
C611	D02018316705	C, FILM MYLAR MI-0.018UF-J/50V-5RE
C612	D0402R208705	C, ELECT GE 85C 2.2UF-M/50V, 5*11-5RE
C613	D0404R708705	C, ELECT GE 85C 4.7UF-M/50V, 5*11-5RE
C614	D04010008705	C, ELECT GE 85C 10UF-M/50V, 5*11-5RE
C615	D00510127726	C, CERAMIC HIK AXIAL B100PF-K/50V-26RE
C616	D00568127726	C, CERAMIC HIK AXIAL B680PF-K/50V-26RE
C617	D00782288326	C, CERAMIC SEMI AXIAL Y0.0082UF-M/16V-26RE
C618	D04001008705	C, ELECT GE 85C 1UF-M/50V, 5*11-5RE
C619	D04022008305	C, ELECT GE 85C 22UF-M/16V, 5*11-5RE
C620	D00522359426	C, CERAMIC HIK AXIAL F0.022UF-Z/25V-26RE
C621	D04010008705	C, ELECT GE 85C 10UF-M/50V, 5*11-5RE
C624	D00647359705	C, CERAMIC SEMI DISC F0.047UF-Z/50V-5RE PI6
C626	D00422359705	C, CERAMIC HIK DISC F0.022UF-Z/25V-5RE
C627	D04001008705	C, ELECT GE 85C 1UF-M/50V, 5*11-5RE
C629	D00610459705	C, CERAMIC SEMI DISC F0.1UF-Z/50V-5RE PI6
C634	D00610459705	C, CERAMIC SEMI DISC F0.1UF-Z/50V-5RE PI6
C636	D00139006726	C, CERAMIC T.C AXIAL SL39PF-J/50V-26RE
C637	D00139006726	C, CERAMIC T.C AXIAL SL39PF-J/50V-26RE
C638	D04010008705	C,ELECT GE 85C 10UF-M/50V, 5*11-5RE
C639	D00510127726	C, CERAMIC HIK AXIAL B100PF-K/50V-26RE
C640	D00510227726	C, CERAMIC HIK AXIAL B0.001UF-K/50V-26RE
C641	D00510227726	C, CERAMIC HIK AXIAL B0.001UF-K/50V-26RE
C642	D00510127726	C, CERAMIC HIK AXIAL B100PF-K/50V-26RE
C643	D00610459705	C, CERAMIC SEMI DISC F0.1UF-Z/50V-5RE PI6
C644	D00422359705	C, CERAMIC HIK DISC F0.022UF-Z/50V-5RE
C645	D04010108206	C, ELECT GE 85C 100UF-M/10V, 5*11-5RE
C646	D00610459705	C, CERAMIC SEMI DISC F0.1UF-Z/50V-5RE PI6
C647	D00147006726	C, CERAMIC T.C AXIAL SL47PF-Z/50V-26RE

ELECTRICAL PARTS LIST

■ MAIN PCB ASSY			
Ref. No	Part No.	Description	
C648	D00422359705	C, CERAMIC HIK DISC	F0.022UF-Z/50V-5RE
C649	D00422359705	C, CERAMIC HIK DISC	F0.022UF-Z/50V-5RE
C661	D02018316705	C, FILM MYLAR	MI-0.018UF-J/50V-5RE
C662	D0402R208705	C, ELECT GE 85C	2.2UF-M/50V, 5 * 11-5RE
D030	K00001310026	D, SWITCHING	ISS131T-77-26MM
D031	K00001310026	D, SWITCHING	ISS131T-77-26MM
D130	K00001310026	D, SWITCHING	ISS131T-77-26MM
D303	K00001310026	D, SWITCHING	ISS131T-77-26MM
D304	K00001310026	D, SWITCHING	ISS131T-77-26MM
D305	K00001310026	D, SWITCHING	ISS131T-77-26MM
D411	K00001310026	D, SWITCHING	ISS131T-77-26MM
△ D501	K04700400001	D, RECTIFIER BRIDGE	D3SB20/DBF40C 5A-4PIN
D502	K00001310026	D, SWITCHING	ISS131T-77-26MM
D503	K00001310026	D, SWITCHING	ISS131T-77-26MM
D504	K00001310026	D, SWITCHING	ISS131T-77-26MM
△ D505	K04040020026	D, RECTIFIER IN	IN4002A-26MM
△ D506	K04040020026	D, RECTIFIER IN	IN4002A-26MM
D507	K00001310026	D, SWITCHING	ISS131T-77-26MM
D511	K04040020026	D, RECTIFIER IN	IN4002A-26MM
D552	K00001310026	D, SWITCHING	ISS131T-77-26MM
D557	K00001310026	D, SWITCHING	ISS131T-77-26MM
D590	K00001310026	D, SWITCHING	ISS131T-77-26MM
D591	K00001310026	D, SWITCHING	ISS131T-77-26MM
D592	K00001310026	D, SWITCHING	ISS131T-77-26MM
D593	K00001310026	D, SWITCHING	ISS131T-77-26MM
D596	K00001310026	D, SWITCHING	ISS131T-77-26MM
D597	K00001310026	D, SWITCHING	ISS131T-77-26MM
D610	K00001310026	D, SWITCHING	ISS131T-77-26MM
D611	K00001310026	D, SWITCHING	ISS131T-77-26MM
D630	K00001310026	D, SWITCHING	ISS131T-77-26MM
FC100	D32025500026	COIL, LINE FILTER	BFS2550AOSD8G-26MM
FC150	D32025500026	COIL, LINE FILTER	BFS2550AOSD8G-26MM
FC601	D32025500026	COIL, LINE FILTER	BFS2550AOSD8G-26MM
IC001	J12272650001	IC, LINEAR POWER	TDA7265-ZIP11
IC020	J12145580006	IC, LINEAR OP	BA4558D-DIP8
IC101	J12332460001	IC, LINEAR EQ	LA3246/DIP 20P
IC110	J08111010001	IC, DOLBY	CXA1101B-DIP 16P
IC120	J12145580006	IC, LINEAR OP	BA4558D-DIP8
IC130	J04031260001	IC, LOGIC	BA3126N-SIP9P
IC301	J12373180001	IC, LINEAR EQ	TDA7318D-SOP28
△ IC501	J12678090002	IC, LINEAR-REGULATER	KIA7809PI, 20W-T0220IS
△ IC502	J12678120004	IC, LINEAR-REGULATER	KIA7812PI, 20W-T0220IS
△ IC503	J12678050011	IC, LINEAR-REGULATER	KIA7805PI, 20W-T0220IS
△ IC551	J12679090001	IC, LINEAR-REGULATER	NJM79M09FA, 7.5W-T0200F
IC601	J12418320001	IC, LINEAR RF	LA1832-DIP24
IC630	J12072180001	IC, LINEAR	LC7218-PLL/DIP24
IC640	J12678050007	IC, LINEAR-REGULATER	KIA78S05P, 0.6W-T092

ELECTRICAL PARTS LIST

■ MAIN PCB ASSY			
Ref. No	Part No.	Description	
JK001	G04002400001	SW, PUSH BLOCK	SP024 B4
JK301	G60102004410	TER, RCA 2PIN	DAERYUNG/JK0200441N
JL101	L40200001002	WIRE, SO COPPER ROLL	SN P10.6 (2000M/ROL)
J101	L40200001002	WIRE, SO COPPER ROLL	SN P10.6 (2000M/ROL)
J103	L40200001002	WIRE, SO COPPER ROLL	SN P10.6 (2000M/ROL)
J104	L40200001002	WIRE, SO COPPER ROLL	SN P10.6 (2000M/ROL)
J151	L40200001002	WIRE, SO COPPER ROLL	SN P10.6 (2000M/ROL)
J174	L40200001002	WIRE, SO COPPER ROLL	SN P10.6 (2000M/ROL)
J175	L40200001002	WIRE, SO COPPER ROLL	SN P10.6 (2000M/ROL)
J601	753003100001	CONTACT, TER	SP031A ANT
L120	D33033300001	COIL, FILTER-INDUCTOR	265LY-333K/10RBM/PI10.8
L129	D30208730000	COIL, TRAP	TRAP 87KHZ OC0099P2
L130	E08050860001	TRANS, OSC BIAS	CQN-K5086YCT-KR
L170	D33033300001	COIL, FILTER-INDUCTOR	265LY-333K/10RBM/PI10.8
L179	D30208730000	COIL, TRAP	TRAP 87KHZ OC0099P2
L610	D94050120001	RF, TRANS MW OSC	RBW07V-K5012
L623	D30218750061	COIL, TRAP	A187LY-K5006-KR (8RB)
PN101	L10153015051	CN. WAFER 2.0MM	53015-0510 5P ANGLE
PN403	L14052004131	CN. WIRE TRAP 1.5MM	52004-1310 13P
PN404	L14052004151	CN. WIRE TRAP 1.5MM	52004-1310 15P
Q001	J50313020000	SEMI, TR/GE NPN 2SD	KTD1302, 0.625W/T092-REEL
Q002	J6000114E001	SEMI, BRT/PNP RA	DTA114ES, 0.3W/T092M-REEL
Q004	J5023198Y000	SEMI, TR/GE NPN 2SC	KTC3198Y, 0.6W/T092-REEL
Q051	J50313020000	SEMI, TR/GE NPN 2SD	KTD1302, 0.625W/T092-REEL
Q101	J5023198Y000	SEMI, TR/GE NPN 2SC	KTC3198Y, 0.6W/T092-REEL
Q102	J6020143T001	SEMI, BRT/NPN RC	DTC143TS, 0.3W/T092M-REEL
Q103	J6020143T001	SEMI, BRT/NPN RC	DTC143TS, 0.3W/T092M-REEL
Q104	J5023198Y000	SEMI, TR/GE NPN 2SC	KTC3198Y, 0.6W/T092-REEL
Q105	J6000114E001	SEMI, BRT/PNP RA	DTA114ES, 0.3W/T092M-REEL
Q106	J6020143T001	SEMI, BRT/NPN RC	DTC143TS, 0.3W/T092M-REEL
Q120	J5023198Y001	SEMI, TR/GE NPN 2SC	KTC3918Y, 0.6W/T092-REEL
Q121	J5023198Y001	SEMI, TR/GE NPN 2SC	KTC3918Y, 0.6W/T092-REEL
Q130	J50313020000	SEMI, TR/GE NPN 2SD	KTD1302, 0.625W/T092-REEL
Q131	J5023205Y002	SEMI, TR/GE NPN 2SC	KTC3205Y, 1W/T092L-REEL
Q132	J5023205Y002	SEMI, TR/GE NPN 2SC	KTC3205Y, 1W/T092L-REEL
Q133	J6000114E001	SEMI, BRT/PNP RA	DTA114ES, 0.3W/T092M-REEL
Q134	J6020114T001	SEMI, BRT/NPN RC	DTA114TS, 0.3W/T092M-REEL
Q151	J5023198Y000	SEMI, TR/GE NPN 2SC	KTC3198Y, 0.6W/T092-REEL
Q154	J5023198Y000	SEMI, TR/GE NPN 2SC	KTC3198Y, 0.6W/T092-REEL
Q170	J5023198Y000	SEMI, TR/GE NPN 2SC	KTC3198Y, 0.6W/T092-REEL
Q171	J5023198Y000	SEMI, TR/GE NPN 2SC	KTC3198Y, 0.6W/T092-REEL
Q501	J6020114T001	SEMI, BRT/NPN RC	DTC114TS, 0.3W/T092M-REEL
Q502	J5001273Y005	SEMI, TR/GE PNP 2SA	KTA1273Y, 1W/T092L-REEL
Q503	J5001273Y005	SEMI, TR/GE PNP 2SA	KTA1273Y, 1W/T092L-REEL
Q601	J5023192Y000	SEMI, TR/GE NPN 2SC	KTC3198Y, 0.6W/T092-REEL
Q602	J5001266Y005	SEMI, TR/GE PNP 2SA	KTA1266Y, 0.6W/T092-REEL
Q603	J6020114T001	SEMI, BRT/NPN RC	DTC114TS, 0.3W/T092M-REEL

ELECTRICAL PARTS LIST

■ MAIN PCB ASSY

Ref. No	Part No.	Description
Q605	J6020143T001	SEMI, BRT/NPN RC DTC143TS, 0.3W/T092M-REEL
Q607	J6020143T001	SEMI, BRT/NPN RC DTC143TS, 0.3W/T092M-REEL
Q608	J6020114T001	SEMI, BRT/NPN RC DTC114TS, 0.3W/T092M-REEL
Q623	J5023198Y000	SEMI, TR/GE NPN 2SC KTC3198Y, 0.6W/T092-REEL
Q624	J5023198Y000	SEMI, TR/GE NPN 2SC KTC3198Y, 0.6W/T092-REEL
R001	C00001536226	R, CARBON FILM 15K-J, 1/6W-26RE-AX
R002	C00003326226	R, CARBON FILM 3.3K-J, 1/6W-26RE-AX
R003	C00003926226	R, CARBON FILM 3.9K-J, 1/6W-26RE-AX
R004	C00001836226	R, CARBON FILM 18K-J, 1/6W-26RE-AX
R005	C00005616226	R, CARBON FILM 560-J, 1/6W-26RE-AX
R008	C00001006326	R, CARBON FILM 10-J, 1/4W-26RE-AX
R009	C00001006326	R, CARBON FILM 10-J, 1/4W-26RE-AX
R010	C00001836226	R, CARBON FILM 18K-J, 1/6W-26RE-AX
R011	C00006826226	R, CARBON FILM 6.8K-J, 1/6W-26RE-AX
R013	C00001036226	R, CARBON FILM 10K-J, 1/6W-26RE-AX
R019	C00001016326	R, CARBON FILM 100-J, 1/4W-26RE-AX
R020	C00001026226	R, CARBON FILM 1.0K-J, 1/6W-26RE-AX
R021	C00001836226	R, CARBON FILM 18K-J, 1/6W-26RE-AX
R022	C00001046226	R, CARBON FILM 100K-J, 1/6W-26RE-AX
R023	C00002216226	R, CARBON FILM 220-J, 1/6W-26RE-AX
R051	C00001536226	R, CARBON FILM 15K-J, 1/6W-26RE-AX
R052	C00003326226	R, CARBON FILM 3.3K-J, 1/6W-26RE-AX
R053	C00003926226	R, CARBON FILM 3.9K-J, 1/6W-26RE-AX
R054	C00001836226	R, CARBON FILM 18K-J, 1/6W-26RE-AX
R055	C00005616226	R, CARBON FILM 560-J, 1/6W-26RE-AX
R058	C00001006326	R, CARBON FILM 10-J, 1/4W-26RE-AX
R059	C00001006326	R, CARBON FILM 10-J, 1/4W-26RE-AX
R069	C00001016326	R, CARBON FILM 100-J, 1/4W-26RE-AX
R070	C00001026226	R, CARBON FILM 1.0K-J, 1/6W-26RE-AX
R071	C00001836226	R, CARBON FILM 18K-J, 1/6W-26RE-AX
R072	C00001046226	R, CARBON FILM 100K-J, 1/6W-26RE-AX
R073	C00002216226	R, CARBON FILM 220-J, 1/6W-26RE-AX
R100	C00001046226	R, CARBON FILM 100K-J, 1/6W-26RE-AX
R101	C00001046226	R, CARBON FILM 100K-J, 1/6W-26RE-AX
R102	C00008246226	R, CARBON FILM 820K-J, 1/6W-26RE-AX
R103	C00001816226	R, CARBON FILM 180-J, 1/6W-26RE-AX
R104	C00001136226	R, CARBON FILM 11K-J, 1/6W-26RE-AX
R105	C00001336226	R, CARBON FILM 13K-J, 1/6W-26RE-AX
R106	C00004736226	R, CARBON FILM 47K-J, 1/6W-26RE-AX
R107	C00004736226	R, CARBON FILM 47K-J, 1/6W-26RE-AX
R108	C00002226226	R, CARBON FILM 2.2K-J, 1/6W-26RE-AX
R109	C00005626226	R, CARBON FILM 560-J, 1/4W-26RE-AX
R110	C00006826326	R, CARBON FILM 6.8K-J, 1/6W-26RE-AX
R111	C00001046226	R, CARBON FILM 100K-J, 1/6W-26RE-AX
R112	C00001036326	R, CARBON FILM 10K-J, 1/6W-26RE-AX
R113	C00001036226	R, CARBON FILM 10K-J, 1/6W-26RE-AX
R114	C00101006310	R, CARBON FLAME PROOF 10-J, 1/4W-F10

ELECTRICAL PARTS LIST

■ MAIN PCB ASSY

Ref. No	Part No.	Description
R115	C00001016326	R, CARBON FILM 100-J, 1/4W-26RE-AX
R116	C00001036226	R, CARBON FILM 10K-J, 1/6W-26RE-AX
R117	C00003326226	R, CARBON FILM 3.3K-J, 1/6W-26RE-AX
R118	C00001036226	R, CARBON FILM 10K-J, 1/6W-26RE-AX
R119	C00004336226	R, CARBON FILM 43K-J, 1/6W-26RE-AX
R120	C00008236226	R, CARBON FILM 8.2K-J, 1/6W-26RE-AX
R121	C00004726226	R, CARBON FILM 4.7K-J, 1/6W-26RE-AX
R122	C00001826226	R, CARBON FILM 1.8K-J, 1/6W-26RE-AX
R123	C00001036226	R, CARBON FILM 10K-J, 1/6W-26RE-AX
R124	C00001016326	R, CARBON FILM 100-J, 1/4W-26RE-AX
R126	C00003926226	R, CARBON FILM 3.9K-J, 1/6W-26RE-AX
R127	C00006836226	R, CARBON FILM 68K-J, 1/6W-26RE-AX
R128	C00002226326	R, CARBON FILM 2.2K-J, 1/4W-26RE-AX
R129	C00004726226	R, CARBON FILM 4.7K-J, 1/6W-26RE-AX
R130	C00006836226	R, CARBON FILM 68K-J, 1/6W-26RE-AX
R131	C00006826226	R, CARBON FILM 6.8K-J, 1/6W-26RE-AX
R132	C00006836326	R, CARBON FILM 68K-J, 1/6W-26RE-AX
R133	C00001046226	R, CARBON FILM 100K-J, 1/6W-26RE-AX
R134	C00005616226	R, CARBON FILM 560-J, 1/6W-26RE-AX
R135	C00008226226	R, CARBON FILM 8.2K-J, 1/6W-26RE-AX
R136	C00001836226	R, CARBON FILM 18K-J, 1/6W-26RE-AX
R137	C00001036226	R, CARBON FILM 10K-J, 1/6W-26RE-AX
R138	C00001036226	R, CARBON FILM 10K-J, 1/6W-26RE-AX
R139	C00001036226	R, CARBON FILM 10K-J, 1/6W-26RE-AX
R140	C00002736226	R, CARBON FILM 27K-J, 1/6W-26RE-AX
R141	C00001016226	R, CARBON FILM 100-J, 1/4W-26RE-AX
R142	C00002216226	R, CARBON FILM 220-J, 1/4W-26RE-AX
R143	C00004726226	R, CARBON FILM 4.7K-J, 1/6W-26RE-AX
R144	C00001026226	R, CARBON FILM 1.0K-J, 1/6W-26RE-AX
R145	C00001536226	R, CARBON FILM 15K-J, 1/6W-26RE-AX
R146	C0006R806326	R, CARBON FILM 6.8-J, 1/4W-26RE-AX
R147	C00001026226	R, CARBON FILM 1.0K-J, 1/6W-26RE-AX
R148	C00003336226	R, CARBON FILM 33K-J, 1/6W-26RE-AX
R149	C00001026226	R, CARBON FILM 1.0K-J, 1/6W-26RE-AX
R150	C00001046226	R, CARBON FILM 100K-J, 1/6W-26RE-AX
R151	C00001046226	R, CARBON FILM 100K-J, 1/6W-26RE-AX
R152	C00008246226	R, CARBON FILM 820K-J, 1/6W-26RE-AX
R153	C00001816226	R, CARBON FILM 180-J, 1/6W-26RE-AX
R154	C00001136226	R, CARBON FILM 11K-J, 1/6W-26RE-AX
R155	C00001336226	R, CARBON FILM 13K-J, 1/6W-26RE-AX
R158	C00002226226	R, CARBON FILM 2.2K-J, 1/6W-26RE-AX
R160	C00001026226	R, CARBON FILM 1.0K-J, 1/6W-26RE-AX
R161	C00005626226	R, CARBON FILM 5.6K-J, 1/6W-26RE-AX
R162	C00001036226	R, CARBON FILM 10K-J, 1/6W-26RE-AX
R163	C00001036226	R, CARBON FILM 10K-J, 1/6W-26RE-AX
R164	C00101006310	R, CARBON FLAME PROOF 10-J, 1/4W-F10
R167	C00003326226	R, CARBON FILM 3.3K-J, 1/6W-26RE-AX
R170	C00008236226	R, CARBON FILM 82K-J, 1/6W-26RE-AX

ELECTRICAL PARTS LIST

■ MAIN PCB ASSY

Ref. No	Part No.	Description
R171	C00004726226	R, CARBON FILM 4.7K-J, 1/6W-26RE-AX
R172	C00001826226	R, CARBON FILM 1.8K-J, 1/6W-26RE-AX
R173	C00001036226	R, CARBON FILM 10K-J, 1/6W-26RE-AX
R174	C00001016326	R, CARBON FILM 100-J, 1/4W-26RE-AX
R176	C00003926226	R, CARBON FILM 3.9K-J, 1/6W-26RE-AX
R177	C00006836226	R, CARBON FILM 68K-J, 1/6W-26RE-AX
R179	C00002226326	R, CARBON FILM 2.2K-J, 1/4W-26RE-AX
R179	C00004726226	R, CARBON FILM 4.7K-J, 1/4W-26RE-AX
R180	C00006836226	R, CARBON FILM 68K-J, 1/6W-26RE-AX
R181	C00006836226	R, CARBON FILM 6.8K-J, 1/6W-26RE-AX
R182	C00006836226	R, CARBON FILM 68K-J, 1/6W-26RE-AX
R183	C00001046226	R, CARBON FILM 100K-J, 1/6W-26RE-AX
R184	C00005616226	R, CARBON FILM 560-J, 1/6W-26RE-AX
R185	C00008226226	R, CARBON FILM 8.2K-J, 1/6W-26RE-AX
R186	C00001836226	R, CARBON FILM 18K-J, 1/6W-26RE-AX
R187	C00001036226	R, CARBON FILM 10K-J, 1/6W-26RE-AX
R188	C00001036226	R, CARBON FILM 10K-J, 1/6W-26RE-AX
R189	C00001036226	R, CARBON FILM 10K-J, 1/6W-26RE-AX
R190	C00002736226	R, CARBON FILM 27K-J, 1/6W-26RE-AX
R301	C00001836226	R, CARBON FILM 18K-J, 1/6W-26RE-AX
R302	C00004736226	R, CARBON FILM 47K-J, 1/6W-26RE-AX
R306	C00001006326	R, CARBON FILM 10-J, 1/4W-26RE-AX
R308	C00005626226	R, CARBON FILM 5.6K-J, 1/6W-26RE-AX
R309	C00001026226	R, CARBON FILM 1.0K-J, 1/6W-26RE-AX
R310	C00001026226	R, CARBON FILM 1.0K-J, 1/6W-26RE-AX
R311	C00003946226	R, CARBON FILM 390K-J, 1/6W-26RE-AX
R319	C00001026226	R, CARBON FILM 1.0K-J, 1/6W-26RE-AX
R321	C00001026226	R, CARBON FILM 1.0K-J, 1/6W-26RE-AX
R322	C00001026226	R, CARBON FILM 1.0K-J, 1/6W-26RE-AX
R351	C00001836226	R, CARBON FILM 18K-J, 1/6W-26RE-AX
R352	C00004736226	R, CARBON FILM 47K-J, 1/6W-26RE-AX
R358	C00005626226	R, CARBON FILM 5.6K-J, 1/6W-26RE-AX
R361	C00003946226	R, CARBON FILM 390K-J, 1/6W-26RE-AX
R369	C00001026226	R, CARBON FILM 1.0K-J, 1/6W-26RE-AX
R371	C00001026226	R, CARBON FILM 1.0K-J, 1/6W-26RE-AX
R372	C00001026226	R, CARBON FILM 1.0K-J, 1/6W-26RE-AX
R501	C00001036226	R, CARBON FILM 10K-J, 1/6W-26RE-AX
R502	C00004726226	R, CARBON FILM 4.7K-J, 1/6W-26RE-AX
R503	C00002226326	R, CARBON FILM 2.2K-J, 1/4W-26RE-AX
R504	C00005616326	R, CARBON FILM 560-J, 1/4W-26RE-AX
R505	C00001036226	R, CARBON FILM 10K-J, 1/6W-26RE-AX
R510	C00001036226	R, CARBON FILM 10K-J, 1/6W-26RE-AX
R601	C00003316226	R, CARBON FILM 330-J, 1/6W-26RE-AX
R602	C00003326226	R, CARBON FILM 3.3K-J, 1/6W-26RE-AX
R603	C00006816226	R, CARBON FILM 680-J, 1/6W-26RE-AX
R604	C00003316226	R, CARBON FILM 330-J, 1/6W-26RE-AX
R605	C00003306226	R, CARBON FILM 33-J, 1/6W-26RE-AX
R606	C00001216226	R, CARBON FILM 120-J, 1/6W-26RE-AX

ELECTRICAL PARTS LIST

■ MAIN PCB ASSY

Ref. No	Part No.	Description	
R608	C00001036226	R, CARBON FILM	10K-J, 1/6W-26RE-AX
R609	C00004736226	R, CARBON FILM	47K-J, 1/6W-26RE-AX
R610	C00001016226	R, CARBON FILM	100-J, 1/6W-26RE-AX
R614	C00001036226	R, CARBON FILM	10K-J, 1/6W-26RE-AX
R615	C00001036226	R, CARBON FILM	10K-J, 1/6W-26RE-AX
R616	C00002716226	R, CARBON FILM	270-J, 1/6W-26RE-AX
R617	C00003326226	R, CARBON FILM	3.3K-J, 1/6W-26RE-AX
R618	C00001826226	R, CARBON FILM	1.8K-J, 1/6W-26RE-AX
R619	C00001036226	R, CARBON FILM	10K-J, 1/6W-26RE-AX
R620	C00006826226	R, CARBON FILM	6.8K-J, 1/6W-26RE-AX
R626	C00001026226	R, CARBON FILM	1.0K-J, 1/6W-26RE-AX
R627	C00008236226	R, CARBON FILM	82K-J, 1/6W-26RE-AX
R629	C00001036226	R, CARBON FILM	10K-J, 1/6W-26RE-AX
R631	C00001036226	R, CARBON FILM	10K-J, 1/6W-26RE-AX
R634	C00001036226	R, CARBON FILM	10K-J, 1/6W-26RE-AX
R635	C00001036226	R, CARBON FILM	10K-J, 1/6W-26RE-AX
R636	C00001036226	R, CARBON FILM	10K-J, 1/6W-26RE-AX
R637	C00004736226	R, CARBON FILM	47K-J, 1/6W-26RE-AX
R638	C00001036226	R, CARBON FILM	10K-J, 1/6W-26RE-AX
R639	C00001036226	R, CARBON FILM	10K-J, 1/6W-26RE-AX
R640	C00001526226	R, CARBON FILM	1.5K-J, 1/6W-26RE-AX
R641	C00001526226	R, CARBON FILM	1.5K-J, 1/6W-26RE-AX
R643	C00006826226	R, CARBON FILM	6.8K-J, 1/6W-26RE-AX
R644	C00001546226	R, CARBON FILM	150K-J, 1/6W-26RE-AX
R645	C00002206226	R, CARBON FILM	22-J, 1/6W-26RE-AX
R647	C00001026226	R, CARBON FILM	1.0K-J, 1/6W-26RE-AX
R647	C00001036226	R, CARBON FILM	10K-J, 1/6W-26RE-AX
R649	C00006826226	R, CARBON FILM	6.8K-J, 1/6W-26RE-AX
R668	C00001826226	R, CARBON FILM	1.8K-J, 1/6W-26RE-AX
R697	C00001026226	R, CARBON FILM	1.0K-J, 1/6W-26RE-AX
R699	C00006826226	R, CARBON FILM	6.8K-J, 1/6W-26RE-AX
SW143	G18012360001	SW, TACT	JTP1236A
TP120	L10252670301	CN.WAFER 2.5MM	5267-03A 3P
TR130	L10252670301	CN.WAFER 2.5MM	5267-03A 3P
TP601	E90000020002	TUNER, FM	FE417-G02
T601	D95001820000	COIL, IF MW	PCFMA-182
VR101	C54422301511	VR, SEMI CERMET MOLD	22KB-6.4H3P, 0.1W-50V/CAP
VR120	C54447301511	VR, SEMI CERMET MOLD	47KB-6.4H3P, 0.1W-50V/CAP
VR130	C54415401511	VR, SEMI CERMET MOLD	150KB-6.4H3P, 0.1W-50V/CAP
VR151	C54422301511	VR, SEMI CERMET MOLD	22KB-6.4H3P, 0.1W-50V/CAP
VR170	C54447301511	VR, SEMI CERMET MOLD	47KB-6.4H3P, 0.1W-50V/CAP
VR180	C54415401511	VR, SEMI CERMET MOLD	150KB-6.4H3P, 0.1W-50V/CAP
X630	E8007R200001	CRYSTAL	7.2MHZ, HC49U/CL; 20PF
ZD001	K06008R24426	D, ZENER	MTZJ8.2B-0.5W/5MA-26MM
ZD303	K06012R01426	D, ZENER	MTZJ12B-0.5W/10MA-26MM
△ ZD501	K06030R04426	D, ZENER	MTZJ30B-0.5W/5MA-26MM
ZD502	K06008R24426	D, ZENER	MTZJ8.2B-0.5W/5MA-26MM
ZD610	K06006R21426	D, ZENER	MTZ6.2B-0.5W/20MA-26MM

ELECTRICAL PARTS LIST

■ CDP PCB ASSY

Ref. No	Part No.	Description
CN805	L00001772001	CN, WIRE 8P-140MM (WH/BL)
CN806	L00001771001	CN, WIRE 8P-140MM (WH/BD)
CN807	L00001767001	CN, WIRE 6P-80MM (WH/BK)
C801	D00510227726	C, CERAMIC HIK AXIAL B0.001UF-K/50V-26RE
C802	D04047008305	C, ELECT GE 85C 47UF-M/16V, 5 * 11-5RE
C803	D04047008305	C, ELECT GE 85C 47UF-M/16V, 5 * 11-5RE
C804	D04047008305	C, ELECT GE 85C 47UF-M/16V, 5 * 11-5RE
C805	D04047008305	C, ELECT GE 85C 47UF-M/16V, 5 * 11-5RE
C806	D02047216705	C, FILM MYLAR MI-0.0047UF-J/50V-5RE
C807	D02010316705	C, FILM MYLAR MI-0.01UF-J/50V-5RE
C808	D02010316705	C, FILM MYLAR MI-0.01UF-J/50V-5RE
C809	D02010416705	C, FILM MYLAR MI-0.1UF-J/50V-5RE
C810	D02010416705	C, FILM MYLAR MI-0.1UF-J/50V-5RE
C811	D02010416705	C, FILM MYLAR MI-0.1UF-J/50V-5RE
C812	D0404R708705	C, ELECT GE 85C 47UF-M/50V, 5 * 11-5RE
C813	D04033008305	C, ELECT GE 85C 33UF-M/16V, 5 * 11-5RE
C814	D02033316705	C, FILM MYLAR MI-0.033UF-J/50V-5RE
C815	D040R4708705	C, ELECT GE 85C 0.47UF-M/50V, 5 * 11-5RE
C816	D00710388326	C, CERAMIC SEMI AXIAL 0.01UF-M/16V-26RE
C817	D040R4708705	C, ELECT GE 85C 0.47UF-M/50V, 5 * 11-5RE
C818	D04010008705	C, ELECT GE 85C 10UF-M/50V, 5 * 11-5RE
C819	D00147006726	C, CERAMIC T.C AXIAL SL47PF-J/50V-26RE
C820	D040R3308705	C, ELECT GE 85C 0.33UF-M/50V, 5 * 11-5RE
C821	D02047216705	C, FILM MYLAR MI-0.0047UF-J/50V-5RE
C822	D00768278326	C, CERAMIC SEMI AXIAL X0.0068UF-M/16V-26RE
C823	D00722278326	C, CERAMIC SEMI AXIAL X0.0022UF-M/16V-26RE
C824	D00710388326	C, CERAMIC SEMI AXIAL Y0.01UF-M/16V-26RE
C825	D00510459326	C, CERAMIC HIK AXIAL F0.1UF-Z/16V-26RE
C826	D00556127726	C, CERAMIC HIK AXIAL B560PF-K/50V-26RE
C827	D00510459326	C, CERAMIC HIK AXIAL F0.1UF-Z/16V-26RE
C828	D00747278326	C, CERAMIC SEMI AXIAL X0.0047UF-M/16V-26RE
C829	D0014R717726	C, CERAMIC T.C AXIAL CH4.7PF-K/50V-26RE
C830	D0018R217726	C, CERAMIC T.C AXIAL CH8.2PF-K/50V-26RE
C831	D0014R717726	C, CERAMIC T.C AXIAL CH4.7PF-K/50V-26RE
C832	D02033316705	C, FILM MYLAR MI-0.033UF-J/50V-5RE
C833	D04047008305	C, ELECT GE 85C 47UF-M/16V, 5 * 11-5RE
C834	D040R4708705	C, ELECT GE 85C 0.47UF-M/50V, 5 * 11-5RE
C841	D02047316705	C, FILM MYLAR MI-0.047UF-J/50V-5RE
C842	D02015216705	C, FILM MYLAR MI-0.0015UF-J/50V-5RE
C843	D00133006726	C, CERAMIC T.C AXIAL SL33PF-J/50V-26RE
C844	D00133006726	C, CERAMIC T.C AXIAL SL33PF-J/50V-26RE
C845	D04022108205	C, ELECT GE 85C 220UF-M/10V, 6.3 * 11-5RE
C847	D00522359426	C, CERAMIC HIK AXIAL F0.022UF-Z/25V-26RE
C851	D0014R717726	C, CERAMIC T.C AXIAL CH4.7PF-K/50V-26RE
C852	D04001008705	C, ELECT GE 85C 1UF-M/50V, 5 * 11-5RE
C854	D00712278326	C, CERAMIC SEMI AXIAL X0.0012UF-M/16V-26RE
C855	D00533127726	C, CERAMIC HIK AXIAL B330PUF-K/50V-26RE

ELECTRICAL PARTS LIST

CDP PCB ASSY

Ref. No	Part No.	Description	
C856	D00715278326	C, CERAMIC SEMI AXIAL	X0.0015UF-M/16V-26RE
C857	D0404R708705	C, ELECT GE 85C	4.7UF-M/50V, 5 * 11-5RE
C858	D04022108205	C, ELECT GE 85C	220UF-M/10V, 6.3 * 11-5RE
C861	D0014R717726	C, CERAMIC T.C AXIAL	CH4.7PF-K/50V-26RE
C862	D04001008705	C, ELECT GE 85C	1UF-M/50V, 5 * 11-5RE
C864	D00712278326	C, CERAMIC SEMI AXIAL	X0.0012UF-M/16V-26RE
C865	D00533127726	C, CERAMIC HIK AXIAL	B3300PF-K/50V-26RE
C866	D00715278326	C, CERAMIC SEMI AXIAL	X0.0015UF-M/16V-26RE
C867	D0404R708705	C, ELECT GE 85C	4.7UF-M/50V, 5 * 11-5RE
C868	D04047008305	C, ELECT GE 85C	47UF-M/16V, 5 * 11-5RE
C871	D04047008305	C, ELECT GE 85C	47UF-M/16V, 5 * 11-5RE
C872	D04033108205	C, ELECT GE 85C	330UF-M/10V, 8 * 11.5-5RE
C873	D04010108305	C, ELECT GE 85C	100UF-M/16V, 6.3 * 11-5RE
C874	D04010108305	C, ELECT GE 85C	100UF-M/16V, 6.3 * 11-5RE
C875	D04022108205	C, ELECT GE 85C	220UF-M/10V, 6.3 * 11-5RE
C876	D04022108205	C, ELECT GE 85C	220UF-M/10V, 6.3 * 11-5RE
C880	D00522359426	C, CERAMIC HIK AXIAL	F0.022UF-Z/25V-26RE
C888	D00610459705	C, CERAMIC SEMI DISC	F0.1UF-Z/25V-26RE
C899	D04033208201	C, ELECT GE 85C	3300UF-M/10V, 12.5 * 20 L BK
D801	K04040020026	D, RECTIFIER IN	IN4002A-26MM
D809	K00001310026	D, SWITCHING	ISS131T-77-26MM
D810	K00001310026	D, SWITCHING	ISS131T-77-26MM
D841	K00001310026	D, SWITCHING	ISS131T-77-26MM
D871	K04040020026	D, RECTIFIER IN	IN4002A-26MM
D881	K00001310026	D, SWITCHING	ISS131T-77-26MM
D882	K00001310026	D, SWITCHING	ISS131T-77-26MM
D883	K00001310026	D, SWITCHING	ISS131T-77-26MM
D885	K00001310026	D, SWITCHING	ISS131T-77-26MM
D891	K00001310026	D, SWITCHING	ISS131T-77-26MM
IC801	J03292200001	IC, OPTICAL-RF SERVO	KA9220/QFP80P
IC802	J03192800001	IC, OPTICAL-DSP	KS9282 (D/A CONVER) QFP80P
IC803	J12792580001	IC, LINEAR-DRIVER	KA9258D/HSOP30P
IC804	J08092700001	IC, ANALOG	KA9270/DIP20P
J848	L40200001002	WIRE, SO COPPER ROLL	SN P10.6 (2000M/ROL)
J849	L40200001002	WIRE, SO COPPER ROLL	SN P10.6 (2000M/ROL)
J850	L40200001002	WIRE, SO COPPER ROLL	SN P10.6 (2000M/ROL)
J851	L40200001002	WIRE, SO COPPER ROLL	SN P10.6 (2000M/ROL)
J856	L40200001002	WIRE, SO COPPER ROLL	SN P10.6 (2000M/ROL)
J856	L40200001002	WIRE, SO COPPER ROLL	SN P10.6 (2000M/ROL)
J857	L40200001002	WIRE, SO COPPER ROLL	SN P10.6 (2000M/ROL)
J858	L40200001002	WIRE, SO COPPER ROLL	SN P10.6 (2000M/ROL)
J859	L40200001002	WIRE, SO COPPER ROLL	SN P10.6 (2000M/ROL)
J861	L40200001002	WIRE, SO COPPER ROLL	SN P10.6 (2000M/ROL)
J862	L40200001002	WIRE, SO COPPER ROLL	SN P10.6 (2000M/ROL)
Q801	J5001266Y005	SEMI, TR/GE PNP 2SA	KTA1266Y, 0.6W/T092-REEL
Q871	J5023205Y002	SEMI, TR/GE NPN 2SC	KTC3205Y, 1W/T092L-REEL
Q872	J5001273Y005	SEMI, TR/GE PNP 2SA	KTA1273Y, 1W/T092L-REEL

ELECTRICAL PARTS LIST

■ CDP PCB ASSY			
Ref. No	Part No.	Description	
Q873	J5023198Y000	SEMI, TR/GE NPN 2SC	KTC3198Y, 0.6W/T092-REEL
R801	C00008206226	R, CARBON FILM	82-J, 1/6W-26RE-AX
R802	C00002206226	R, CARBON FILM	22-J, 1/6W-26RE-AX
R804	C00001026226	R, CARBON FILM	1.0K-J, 1/6W-26RE-AX
R805	C00004746226	R, CARBON FILM	470K-J, 1/6W-26RE-AX
R806	C00001846226	R, CARBON FILM	180K-J, 1/6W-26RE-AX
R807	C00001056226	R, CARBON FILM	1.0M-J, 1/6W-26RE-AX
R808	C00008226226	R, CARBON FILM	8.2K-J, 1/6W-26RE-AX
R809	C00001046226	R, CARBON FILM	100K-J, 1/6W-26RE-AX
R810	C00001036226	R, CARBON FILM	10K-J, 1/6W-26RE-AX
R811	C00001026226	R, CARBON FILM	1.0K-J, 1/6W-26RE-AX
R812	C00004736226	R, CARBON FILM	47K-J, 1/6W-26RE-AX
R813	C00008236226	R, CARBON FILM	82K-J, 1/6W-26RE-AX
R814	C00001036226	R, CARBON FILM	10K-J, 1/6W-26RE-AX
R815	C00001036226	R, CARBON FILM	10K-J, 1/6W-26RE-AX
R816	C00004736226	R, CARBON FILM	47K-J, 1/6W-26RE-AX
R817	C00001046226	R, CARBON FILM	100K-J, 1/6W-26RE-AX
R818	C00001846226	R, CARBON FILM	180K-J, 1/6W-26RE-AX
R819	C00004736226	R, CARBON FILM	47K-J, 1/6W-26RE-AX
R820	C00001246226	R, CARBON FILM	120K-J, 1/6W-26RE-AX
R821	C00001546226	R, CARBON FILM	150K-J, 1/6W-26RE-AX
R822	C00001026226	R, CARBON FILM	1.0K-J, 1/6W-26RE-AX
R823	C00001036226	R, CARBON FILM	10K-J, 1/6W-26RE-AX
R824	C00004726226	R, CARBON FILM	4.7K-J, 1/6W-26RE-AX
R825	C00002236226	R, CARBON FILM	22K-J, 1/6W-26RE-AX
R827	C00001836226	R, CARBON FILM	18K-J, 1/6W-26RE-AX
R828	C00001026226	R, CARBON FILM	1.0K-J, 1/6W-26RE-AX
R829	C00005626226	R, CARBON FILM	5.6K-J, 1/6W-26RE-AX
R830	C00001036226	R, CARBON FILM	10K-J, 1/6W-26RE-AX
R831	C00001036226	R, CARBON FILM	10K-J, 1/6W-26RE-AX
R832	C00001236226	R, CARBON FILM	12K-J, 1/6W-26RE-AX
R833	C00001036226	R, CARBON FILM	10K-J, 1/6W-26RE-AX
R834	C00001236226	R, CARBON FILM	12K-J, 1/6W-26RE-AX
R840	C00002736226	R, CARBON FILM	27K-J, 1/6W-26RE-AX
R841	C00003326226	R, CARBON FILM	3.3K-J, 1/6W-26RE-AX
R842	C00003326226	R, CARBON FILM	3.3K-J, 1/6W-26RE-AX
R843	C00001516226	R, CARBON FILM	150-J, 1/6W-26RE-AX
R844	C00001036226	R, CARBON FILM	10K-J, 1/6W-26RE-AX
R851	C00002736226	R, CARBON FILM	27K-J, 1/6W-26RE-AX
R852	C00002736226	R, CARBON FILM	27K-J, 1/6W-26RE-AX
R853	C00001056226	R, CARBON FILM	1.0M-J, 1/6W-26RE-AX
R854	C00001236226	R, CARBON FILM	12K-J, 1/6W-26RE-AX
R855	C00005626226	R, CARBON FILM	5.6K-J, 1/6W-26RE-AX
R856	C00005626226	R, CARBON FILM	5.6K-J, 1/6W-26RE-AX
R857	C00005626226	R, CARBON FILM	5.6K-J, 1/6W-26RE-AX
R858	C00008226226	R, CARBON FILM	8.2K-J, 1/6W-26RE-AX
R859	C00004716226	R, CARBON FILM	470-J, 1/6W-26RE-AX

ELECTRICAL PARTS LIST

■ CDP PCB ASSY			
Ref. No	Part No.	Description	
R861	C00002736226	R, CARBON FILM	27K-J, 1/6W-26RE-AX
R862	C00002736226	R, CARBON FILM	27K-J, 1/6W-26RE-AX
R863	C00001056226	R, CARBON FILM	1.0M-J, 1/6W-26RE-AX
R864	C00001236226	R, CARBON FILM	12K-J, 1/6W-26RE-AX
R865	C00005626226	R, CARBON FILM	5.6K-J, 1/6W-26RE-AX
R866	C00005626226	R, CARBON FILM	5.6K-J, 1/6W-26RE-AX
R867	C00005626226	R, CARBON FILM	5.6K-J, 1/6W-26RE-AX
R868	C00008226226	R, CARBON FILM	8.2K-J, 1/6W-26RE-AX
R869	C00004716226	R, CARBON FILM	470-J, 1/6W-26RE-AX
R871	C00005616226	R, CARBON FILM	560-J, 1/6W-26RE-AX
R872	C00001036226	R, CARBON FILM	10K-J, 1/6W-26RE-AX
R873	C00008226226	R, CARBON FILM	8.2K-J, 1/6W-26RE-AX
R874	C00001236226	R, CARBON FILM	12K-J, 1/6W-26RE-AX
R875	C00008226226	R, CARBON FILM	8.2K-J, 1/6W-26RE-AX
R876	C00001036226	R, CARBON FILM	10K-J, 1/6W-26RE-AX
R877	C00004706226	R, CARBON FILM	47-J, 1/6W-26RE-AX
R878	C00001026226	R, CARBON FILM	1.0K-J, 1/6W-26RE-AX
R879	C00004716226	R, CARBON FILM	470-J, 1/6W-26RE-AX
R880	C00001536226	R, CARBON FILM	15K-J, 1/6W-26RE-AX
R881	C00001026226	R, CARBON FILM	1.0K-J, 1/6W-26RE-AX
R882	C00001026226	R, CARBON FILM	1.0K-J, 1/6W-26RE-AX
R883	C00001026226	R, CARBON FILM	1.0K-J, 1/6W-26RE-AX
R884	C00001026226	R, CARBON FILM	1.0K-J, 1/6W-26RE-AX
R885	C00004736226	R, CARBON FILM	47K-J, 1/6W-26RE-AX
R886	C00001026226	R, CARBON FILM	1.0K-J, 1/6W-26RE-AX
R887	C00001026226	R, CARBON FILM	1.0K-J, 1/6W-26RE-AX
R888	C00001026226	R, CARBON FILM	1.0K-J, 1/6W-26RE-AX
R889	C00001026226	R, CARBON FILM	1.0K-J, 1/6W-26RE-AX
R890	C00001026226	R, CARBON FILM	1.0K-J, 1/6W-26RE-AX
R891	C00001026226	R, CARBON FILM	1.0K-J, 1/6W-26RE-AX
R892	C00001026226	R, CARBON FILM	1.0K-J, 1/6W-26RE-AX
R900	C00001236226	R, CARBON FILM	12K-J, 1/6W-26RE-AX
R901	C00001236226	R, CARBON FILM	12K-J, 1/6W-26RE-AX
R902	C00002246226	R, CARBON FILM	220K-J, 1/6W-26RE-AX
R903	C00002246226	R, CARBON FILM	220K-J, 1/6W-26RE-AX
R904	C00003936226	R, CARBON FILM	39K-J, 1/6W-26RE-AX
R905	C00003936226	R, CARBON FILM	39K-J, 1/6W-26RE-AX
SR801	C54422331210	VR, SEMI CERMET MOLD	22KB-6.4V3P, 0.1W-50V/CAP
SR802	C54422331210	VR, SEMI CERMET MOLD	22KB-6.4V3P, 0.1W-50V/CAP
SW801	G06010103301	SW, SLIDE	SSCT101SL033S
TP801	L10153015051	CN. WAFER 2.0MM	53015-0510 5P ANGLE
X841	E80016R93401	CRYSTAL	16.9344MHZ, HC49/CL; 30PF
ZD852	K06007R51426	D, ZENER	MTZ7.5B-0.5W/20MA-26MM
ZD871	K06007R51426	D, ZENER	MTZ7.5B-0.5W/20MA-26MM

ELECTRICAL PARTS LIST

FRONT PCB ASSY

Ref. No	Part No.	Description	
CN401	L11051016151	CABLE, HOLDER 1.5MM	51016-1500 15P
CN402	L11151048131	CABLE, HOLDER 2.0MM	51048-1300 13P
CN403	L11051016131	CABLE, HOLDER 1.5MM	51016-1300 13P
CN404	L11051016151	CABLE, HOLDER 1.5MM	51016-1500 15P
C400	D0404R708705	C, ELECT GE 85C	4.7UF-M/50V, 5 * 11-5RE
C405	D00547359726	C, CERAMIC HIK AXIAL	F0.047UF-Z/50V-26RE
C406	D00547359726	C, CERAMIC HIK AXIAL	F0.047UF-Z/50V-26RE
C407	D00547359726	C, CERAMIC HIK AXIAL	F0.047UF-Z/50V-26RE
C408	D00547359726	C, CERAMIC HIK AXIAL	F0.047UF-Z/50V-26RE
C409	D04047108205	C, ELECT GE 85C	470UF-M/10V, 8 * 11.5-5RE
C410	D00522359426	C, CERAMIC HIK AXIAL	F0.022UF-Z/25V-26RE
C411	D04001008707	C, ELECT GE 85C	1UF-M/50V, 3 * 5-5RE
C412	D00120006726	C, CERAMIC T.C AXIAL	SL20PF-J/50V-26RE
C413	D00120006726	C, CERAMIC T.C AXIAL	SL20PF-J/50V-26RE
C414	D00156006726	C, CERAMIC T.C AXIAL	SL56PF-J/50V-26RE
C415	D00147006726	C, CERAMIC T.C AXIAL	SL47PF-J/50V-26RE
C416	D00147006726	C, CERAMIC T.C AXIAL	SL47PF-J/50V-26RE
C417	D04010108206	C, ELECT GE 85C	100UF-M/10V, 5 * 11-5RE
C418	D09010420000	C, DOUBLE LAYER (70)	H0.1F-150UA/5.5V-13 * 8.5
C419	D00522359426	C, CERAMIC HIK AXIAL	F0.022UF-Z/25V-26RE
C420	D04010108206	C, ELECT GE 85C	100UF-M/10V, 5 * 11-5RE
C421	D04010108206	C, ELECT GE 85C	100UF-M/10V, 5 * 11-5RE
C422	D04010008705	C, ELECT GE 85C	10UF-M/50V, 5 * 11-5RE
C423	D00522359426	C, CERAMIC HIK AXIAL	F0.022UF-Z/25V-26RE
C424	D04001008705	C, ELECT GE 85C	1UF-M/50V, 5 * 11-5RE
C425	D04001008705	C, ELECT GE 85C	1UF-M/50V, 5 * 11-5RE
C430	D04047008205	C, ELECT GE 85C	47UF-M/10V, 5 * 11-5RE
C460	D04010108206	C, ELECT GE 85C	100UF-M/10V, 5 * 11-5RE
C461	D04001008707	C, ELECT GE 85C	1UF-M/50V, 3 * 5-5RE
D401	K00001310026	D, SWITCHING	ISS131T-77-26MM
D402	K00001310026	D, SWITCHING	ISS131T-77-26MM
D403	K00001310026	D, SWITCHING	ISS131T-77-26MM
D404	K00001310026	D, SWITCHING	ISS131T-77-26MM
D405	K00001310026	D, SWITCHING	ISS131T-77-26MM
D406	K00001310026	D, SWITCHING	ISS131T-77-26MM
D407	K00001310026	D, SWITCHING	ISS131T-77-26MM
D408	K00001310026	D, SWITCHING	ISS131T-77-26MM
IC401	J02086622401	IC, CPU MICRO PROCESS	LC866224A-5872/QFP80P
IC402	J12738300001	IC, LINEAR-DRIVER	BA3830F
IC403	J12570390000	IC, LINEAR-RESET	KIA7039P, 3.9V/T092-REEL
IC404	E94000013010	MODULE, REMOCON	SBX8025 L TYPE
J410	L40200001002	WIRE, SO COPPER ROLL	SN PI0.6 (2000M/ROL)
J411	L40200001002	WIRE, SO COPPER ROLL	SN PI0.6 (2000M/ROL)
J413	L40200001002	WIRE, SO COPPER ROLL	SN PI0.6 (2000M/ROL)
J414	L40200001002	WIRE, SO COPPER ROLL	SN PI0.6 (2000M/ROL)
J425	L40200001002	WIRE, SO COPPER ROLL	SN PI0.6 (2000M/ROL)
J427	L40200001002	WIRE, SO COPPER ROLL	SN PI0.6 (2000M/ROL)

ELECTRICAL PARTS LIST

FRONT PCB ASSY

Ref. No	Part No.	Description
J428	L40200001002	WIRE, SO COPPER ROLL SN P10.6 (2000M/ROL)
J429	L40200001002	WIRE, SO COPPER ROLL SN P10.6 (2000M/ROL)
J430	L40200001002	WIRE, SO COPPER ROLL SN P10.6 (2000M/ROL)
J431	L40200001002	WIRE, SO COPPER ROLL SN P10.6 (2000M/ROL)
J432	L40200001002	WIRE, SO COPPER ROLL SN P10.6(2000M/ROL)
J433	L40200001002	WIRE, SO COPPER ROLL SN P10.6(2000M/ROL)
J434	L40200001002	WIRE, SO COPPER ROLL SN P10.6(2000M/ROL)
J435	L40200001002	WIRE, SO COPPER ROLL SN P10.6(2000M/ROL)
J436	L40200001002	WIRE, SO COPPER ROLL SN P10.6(2000M/ROL)
J437	L40200001002	WIRE, SO COPPER ROLL SN P10.6(2000M/ROL)
J438	L40200001002	WIRE, SO COPPER ROLL SN P10.6(2000M/ROL)
PN401	L32225115261	WIRE, FLAT 2877 1.5MM BK 250MM 15P # 26 6/6
PN402	L32112113261	WIRE, FLAT 2877 2.0MM BK 120MM 13P # 26 5/5
PN403	L32220113261	WIRE, FLAT 2877 1.5MM BK 200MM 13P # 26 6/6
PN404	L32225115261	WIRE, FLAT 2877 1.5MM BK 250MM 15P # 26 6/6
Q401	J5001273Y005	SEMI, TR/GE PNP 2SA KTA1273Y, 1W/T092L-REEL
Q402	J5001273Y005	SEMI, TR/GE PNP 2SA KTA1273Y, 1W/T092L-REEL
Q403	J6020114Y001	SEMI, BRT/NPN RC DTC114YS, 0.3W/T092M-REEL
Q404	J6020114Y001	SEMI, BRT/NPN RC DTC114YS, 0.3W/T092M-REEL
Q405	J6020143T001	SEMI, BRT/NPN RC DTC143TS, 0.3W/T092M-REEL
Q406	J5023192Y000	SEMI, TR/GE NPN 2SC KTC3192Y, 0.6W/T092-REEL
Q407	J6000144W001	SEMI, BRT/PNP RA DTA144WS, 0.3W/T092M-REEL
R400	C00001026226	R, CARBON FILM 1.0K-J, 1/6W-26RE-AX
R401	C00001026226	R, CARBON FILM 1.0K-J, 1/6W-26RE-AX
R402	C00001026226	R, CARBON FILM 1.0K-J, 1/6W-26RE-AX
R403	C00001026226	R, CARBON FILM 1.0K-J, 1/6W-26RE-AX
R404	C00001026226	R, CARBON FILM 1.0K-J, 1/6W-26RE-AX
R405	C00001026226	R, CARBON FILM 1.0K-J, 1/6W-26RE-AX
R406	C00001026226	R, CARBON FILM 1.0K-J, 1/6W-26RE-AX
R407	C00001026226	R, CARBON FILM 1.0K-J, 1/6W-26RE-AX
R408	C00001026226	R, CARBON FILM 1.0K-J, 1/6W-26RE-AX
R409	C00001026226	R, CARBON FILM 1.0K-J, 1/6W-26RE-AX
R410	C00001026226	R, CARBON FILM 1.0K-J, 1/6W-26RE-AX
R411	C00001026226	R, CARBON FILM 1.0K-J, 1/6W-26RE-AX
R412	C00001016226	R, CARBON FILM 100-J, 1/6W-26RE-AX
R413	C00001026226	R, CARBON FILM 1.0K-J, 1/6W-26RE-AX
R414	C00001026226	R, CARBON FILM 1.0K-J, 1/6W-26RE-AX
R415	C00001026226	R, CARBON FILM 1.0K-J, 1/6W-26RE-AX
R416	C00001026226	R, CARBON FILM 1.0K-J, 1/6W-26RE-AX
R417	C00001026226	R, CARBON FILM 1.0K-J, 1/6W-26RE-AX
R418	C00001026226	R, CARBON FILM 1.0K-J, 1/6W-26RE-AX
R419	C00004736226	R, CARBON FILM 47K-J, 1/6W-26RE-AX
R420	C00001026226	R, CARBON FILM 1.0K-J, 1/6W-26RE-AX
R421	C00001816226	R, CARBON FILM 180-J, 1/6W-26RE-AX
R422	C00001036226	R, CARBON FILM 10K-J, 1/6W-26RE-AX
R422	C00006816226	R, CARBON FILM 680-J, 1/6W-26RE-AX
R423	C00001036226	R, CARBON FILM 10K-J, 1/6W-26RE-AX

ELECTRICAL PARTS LIST

■ FRONT PCB ASSY			
Ref. No	Part No.	Description	
R424	C00004726226	R, CARBON FILM	4.7K-J, 1/6W-26RE-AX
R425	C00001036226	R, CARBON FILM	10K-J, 1/6W-26RE-AX
R426	C00002226226	R, CARBON FILM	2.2K-J, 1/6W-26RE-AX
R437	C00001026226	R, CARBON FILM	1.0K-J, 1/6W-26RE-AX
R438	C00001026226	R, CARBON FILM	1.0K-J, 1/6W-26RE-AX
R439	C00001026226	R, CARBON FILM	1.0K-J, 1/6W-26RE-AX
R440	C00001026226	R, CARBON FILM	1.0K-J, 1/6W-26RE-AX
R441	C00004736226	R, CARBON FILM	4.7K-J, 1/6W-26RE-AX
R443	C00001036226	R, CARBON FILM	10K-J, 1/6W-26RE-AX
R444	C00001026226	R, CARBON FILM	1.0K-J, 1/6W-26RE-AX
R446	C00004736226	R, CARBON FILM	47K-J, 1/6W-26RE-AX
R447	C00002746226	R, CARBON FILM	270K-J, 1/6W-26RE-AX
R448	C00001546226	R, CARBON FILM	150K-J, 1/6W-26RE-AX
R449	C00004736226	R, CARBON FILM	47K-J, 1/6W-26RE-AX
R450	C00001016226	R, CARBON FILM	100-J, 1/6W-26RE-AX
R451	C00001046226	R, CARBON FILM	100K-J, 1/6W-26RE-AX
R452	C00001036226	R, CARBON FILM	10K-J, 1/6W-26RE-AX
R453	C00002226226	R, CARBON FILM	2.2K-J, 1/6W-26RE-AX
R454	C00003326226	R, CARBON FILM	3.3K-J, 1/6W-26RE-AX
R455	C00001036226	R, CARBON FILM	10K-J, 1/6W-26RE-AX
R456	C00003326226	R, CARBON FILM	3.3K-J, 1/6W-26RE-AX
R457	C00001036226	R, CARBON FILM	10K-J, 1/6W-26RE-AX
R458	C00001036226	R, CARBON FILM	10K-J, 1/6W-26RE-AX
R459	C00001036226	R, CARBON FILM	10K-J, 1/6W-26RE-AX
R460	C00004736226	R, CARBON FILM	47K-J, 1/6W-26RE-AX
R461	C00006816226	R, CARBON FILM	680-J, 1/6W-26RE-AX
R462	C00008216226	R, CARBON FILM	820-J, 1/6W-26RE-AX
R463	C00001226226	R, CARBON FILM	1.2K-J, 1/6W-26RE-AX
R464	C00001526226	R, CARBON FILM	1.5K-J, 1/6W-26RE-AX
R465	C00002226226	R, CARBON FILM	2.2K-J, 1/6W-26RE-AX
R466	C00003326226	R, CARBON FILM	3.3K-J, 1/6W-26RE-AX
R467	C00004726226	R, CARBON FILM	4.7K-J, 1/6W-26RE-AX
R468	C00008226226	R, CARBON FILM	8.2K-J, 1/6W-26RE-AX
R469	C00001536226	R, CARBON FILM	15K-J, 1/6W-26RE-AX
R470	C00002736226	R, CARBON FILM	27K-J, 1/6W-26RE-AX
R473	C00006816226	R, CARBON FILM	680-J, 1/6W-26RE-AX
R474	C00008216226	R, CARBON FILM	820-J, 1/6W-26RE-AX
R475	C00001226226	R, CARBON FILM	1.2K-J, 1/6W-26RE-AX
R476	C00001526226	R, CARBON FILM	1.5K-J, 1/6W-26RE-AX
R485	C00006816226	R, CARBON FILM	680-J, 1/6W-26RE-AX
R487	C00004736226	R, CARBON FILM	47K-J, 1/6W-26RE-AX
R488	C00004736226	R, CARBON FILM	47K-J, 1/6W-26RE-AX
R490	C00004736226	R, CARBON FILM	47K-J, 1/6W-26RE-AX
SR401	C54447101510	VR, SEMI CERMET MOLD	470B-6H3P, 0.05W-100V
SW400	G18000027001	SW, TACT	SKHV10920A, 5MM/260G-REEL
SW401	G18000027001	SW, TACT	SKHV10920A, 5MM/260G-REEL
SW402	G18000027001	SW, TACT	SKHV10920A, 5MM/260G-REEL

ELECTRICAL PARTS LIST

■ FRONT PCB ASSY			
Ref. No	Part No.	Description	
SW403	G18000027001	SW, TACT	SKHV10920A, 5MM/260G-REEL
SW404	G18000027001	SW, TACT	SKHV10920A, 5MM/260G-REEL
SW405	G18000027001	SW, TACT	SKHV10920A, 5MM/260G-REEL
SW406	G18000027001	SW, TACT	SKHV10920A, 5MM/260G-REEL
SW407	G18000027001	SW, TACT	SKHV10920A, 5MM/260G-REEL
SW408	G18000027001	SW, TACT	SKHV10920A, 5MM/260G-REEL
SW409	G18000027001	SW, TACT	SKHV10920A, 5MM/260G-REEL
SW410	G18000027001	SW, TACT	SKHV10920A, 5MM/260G-REEL
SW430	G18000027001	SW, TACT	SKHV10920A, 5MM/260G-REEL
SW431	G18000027001	SW, TACT	SKHV10920A, 5MM/260G-REEL
SW432	G18000027001	SW, TACT	SKHV10920A, 5MM/260G-REEL
SW433	G18000027001	SW, TACT	SKHV10920A, 5MM/260G-REEL
SW434	G18000027001	SW, TACT	SKHV10920A, 5MM/260G-REEL
X401	E80032R76805	CRYSTAL	32.768KHZ/CFS308
X402	E8306R000001	RESONATOR, CERAMIC	CSA6.00MGU
ZD402	K06005R11426	D, ZENER	MTZ5.1B-0.5W/20MA-26MM

ELECTRICAL PARTS LIST

■ KEY PCB ASSY

Ref. No	Part No.	Description
JK002	G40103518001	JACK, D3.5
J401	L40200001002	WIRE, SO COPPER ROLL
PN101	L00001766001	CN, WIRE
R485	C00006816226	R, CARBON FILM
R488	C00008216226	R, CARBON FILM
R489	C00001226226	R, CARBON FILM
R490	C00001526226	R, CARBON FILM
R491	C00002226226	R, CARBON FILM
R492	C00003326226	R, CARBON FILM
R493	C00004726226	R, CARBON FILM
R494	C00008226226	R, CARBON FILM
R495	C00001536226	R, CARBON FILM
R496	C00002736226	R, CARBON FILM
SW452	G18000027001	SW, TACT
SW453	G18000027001	SW, TACT
SW454	G18000027001	SW, TACT
SW455	G18000027001	SW, TACT
SW456	G18000027001	SW, TACT
SW457	G18000027001	SW, TACT
SW458	G18000027001	SW, TACT
SW459	G18000027001	SW, TACT
SW460	G18000027001	SW, TACT
SW461	G18000027001	SW, TACT

ELECTRICAL PARTS LIST

■ POWER PCB ASSY			
Ref. No	Part No.	Description	
▲ CF502	D32025500026	COIL, LINE FILTER	BFS2550AOSD8G-26MM
▲ CF503	D32025500026	COIL, LINE FILTER	BFS2550AOSD8G-26MM
C599	D00610459705	C, CERAMIC SEMI DISC	F0.1UF-Z/50V-5RE PI6
FN501	G64500005001	HOLDER, FUSE CLIP	PI5.2-REEL
FN502	G64500005001	HOLDER, FUSE CLIP	PI5.2-REEL
▲ F501	G65063125103	FUSE (5.2 * 20)	250V-T0.63A-SEMKO/VDE/BEA
J184	L40200001002	WIRE, SO COPPER ROLL	SN PI0.6 (2000M/ROL)
J186	L40200001002	WIRE, SO COPPER ROLL	SN PI0.6 (2000M/ROL)
J187	L40200001002	WIRE, SO COPPER ROLL	SN PI0.6 (2000M/ROL)
PN501	L10835310200	CN. WAFER 7.92MM	35328-0210 2P
PN502	L10153015081	CN. WAFER 2.0MM	53015-0810 8P ANGLE
W599	841080024001	RING, TER WIRE	BK 80MM 1007 #24 PI3.2
T501	820066000001	POWER TRANS	QX10(E)
RC-S10	830802000003	REMOCON ASSY	QX10(E)/AKAI-40KEY

ATTENTION

1. When placing an order for parts, be sure to list Part NO., Model No., and the description of each part. Otherwise, the non-delivery of the part or the delivery of a wrong part may result.
2. Please make sure that Part No. is correct when ordering.
If not, a part different from the one you ordered may be delivered.

WARNING

▲ (*) INDICATED SAFETY CRITICAL COMPONENTS. FOR CONTINUED SAFETY, REPLACE SAFETY CRITICAL COMPONENTS ONLY WITH MANUFACTURE'S RECOMMENDED PARTS.

AVERTISSEMENT

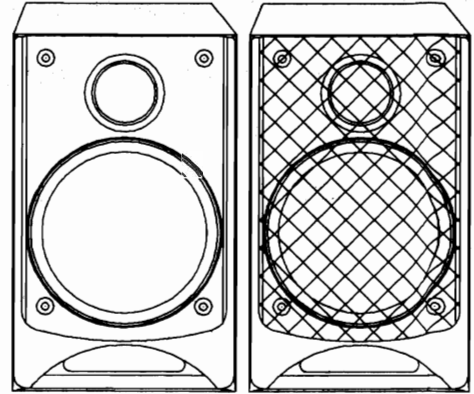
▲ (*) IL INDIQUE LES COMPOSANTS CRITIQUES DE SECURITE. POUR MAINTENIR LE DEGRE DE SECURITE DE L'APPAREIL, NE REMPLACER QUE DES PIECES RECOMMANDEES PAR LE FABRICANT.

SPEAKER SYSTEM

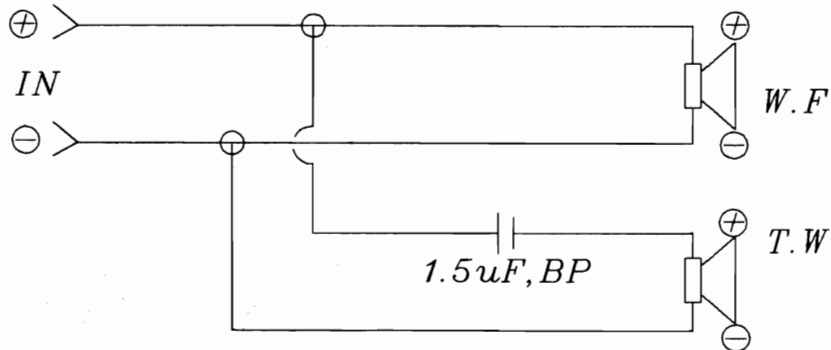
1. MODEL: SR-10

SPECIFICATION

ENCLOSURE TYPE : REFLEX 2WAY 2SPEAKER
DRIVER UNIT : WOOFER 130mm. TWEETER 50mm
IMPEDANCE : 60HM
FREQUENCY RANGE : 80 ~ 20,000Hz
S.P LEBAL : 85dB / W / M
NOMINAL POWER : 15W (FM NOISE SIGNAL)
MAX POWER : 30W (NOISE MUIC)
DIMENSIONS : 165(W) × 270(H) × 240(D)mm
PACKING DIMENSION: 440(W) × 347(H) × 342(D)mm
WEIGHT : 2.8Kg / PC
WEIGHT PACKING : 6.8Kg / 2PCS / PACKING



CIRCUIT DIAGRAM



SPEAKER SYSTEM

DRAWN / PARTS DRAWN / PARTS

NO	PARTS NAME	PART NO	Q'TY
1	NET ASS'Y	850-001B	1
2	HOLDER	320-001	4
3	SCREW	310-002	4
4	FRONT PANEL	750-001B	1
5	SCREW	310-001	4
6	S.P UNIT (W / F)	600-003B	1
7	S.P UNIT (T / W)	600-004	1
8	CORD ASS'Y	530-002A	1
9	WOOD CABINET	350-002A	1
10	SCREW	310-002	2

