



AKAI

**MINI HI-FI
MICRO COMPONENT SYSTEM**

Model:
QX-61

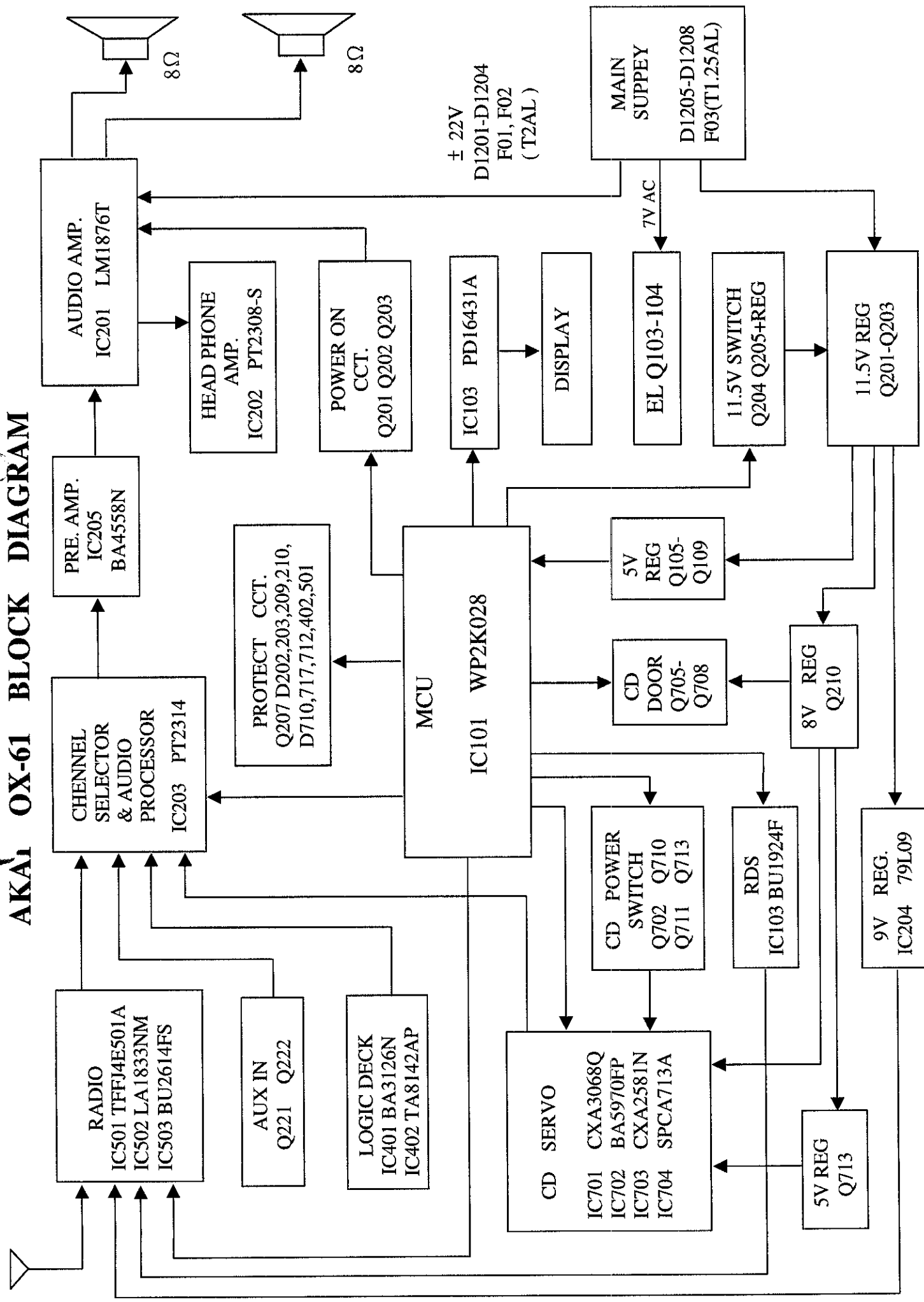
SERVICE MANUAL

AKAI QX-61 SERVICE MANUAL

CONTENTS:

- # BLOCK DIAGRAM**
- # SCHEMATIC DIAGRAM**
- # PCB LAYOUT**
- # WIRING DIAGRAM**
- # ALIGNMENT PROCEDURE**
- # EXPLODED VIEW FOR MAIN UNIT**
- # PART LIST FOR EXPLODED VIEW OF MAIN UNIT**
- # CASSETTE DECK MECHANISM**
- # EXPLODED VIEW FOR CD MECHANISM**
- # PART LIST FOR CD MECHANISM**
- # PART LIST FOR MAIN UNIT**

AKA OX-61 BLOCK DIAGRAM



± 22V
D1201-D1204
F01, F02
(T2AL)

MAIN SUPPLY
D1205-D1208
F03(T1.25AL)

7V AC

8Ω

8Ω

AUDIO AMP.
IC201 LM1876T

HEAD PHONE AMP.
IC202 PT2308-S

POWER ON CCT.
Q201 Q202 Q203

IC103 PDI6431A

DISPLAY

EL Q103-104

11.5V SWITCH
Q204 Q205+REG

11.5V REG
Q201-Q203

PRE. AMP.
IC205 BA4558N

PROTECT CCT.
Q207 D202,203,209,210,
D710,717,712,402,501

MCU
IC101 WP2K028

5V REG
Q105-Q109

CD DOOR
Q705-Q708

8V REG
Q210

CHENNEL SELECTOR & AUDIO PROCESSOR
IC203 PT2314

CD POWER SWITCH
Q702 Q710
Q711 Q713

RDS
IC103 BU1924F

9V REG.
IC204 79L09

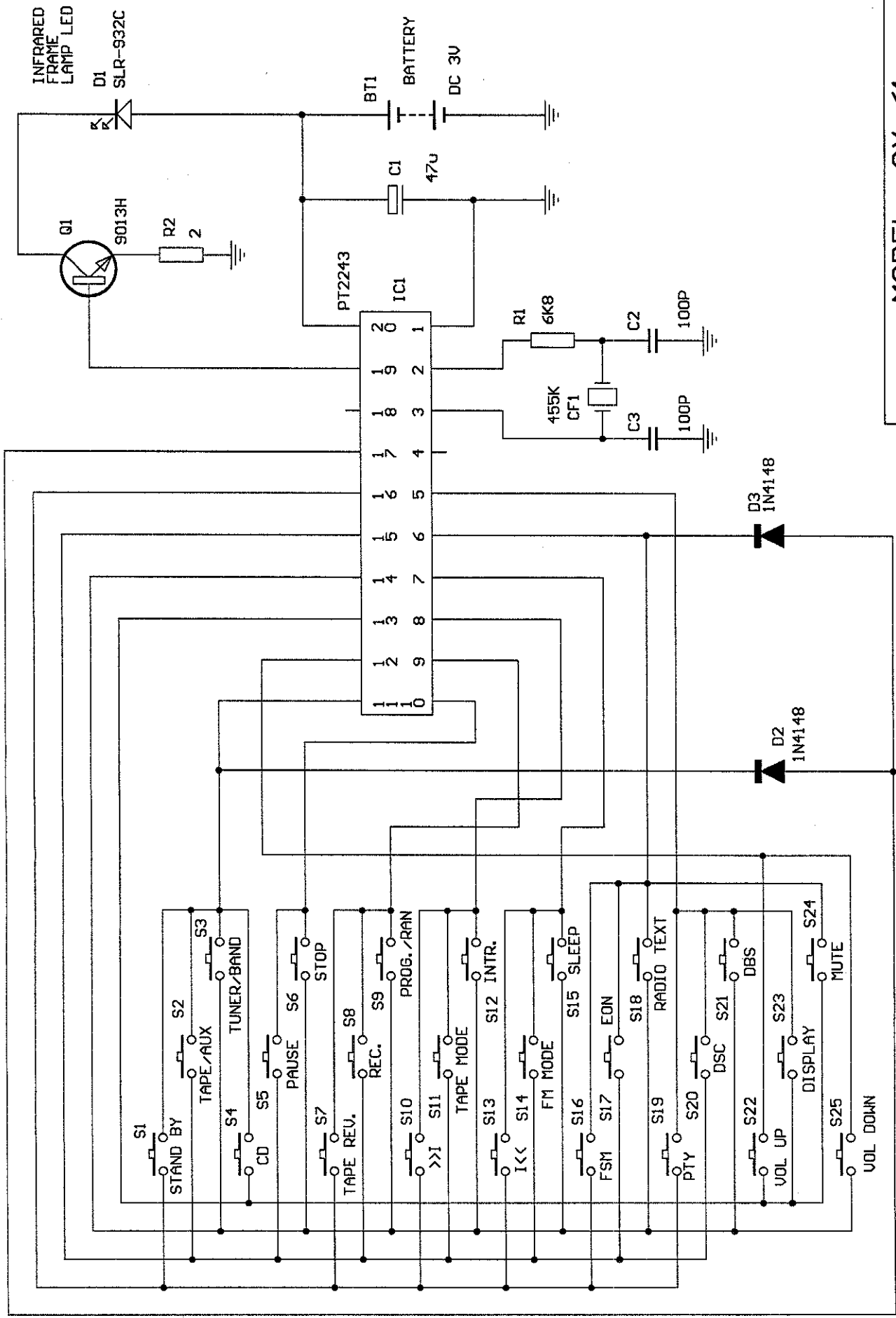
RADIO
IC501 TFFJ4E501A
IC502 LA1833NM
IC503 BU2614FS

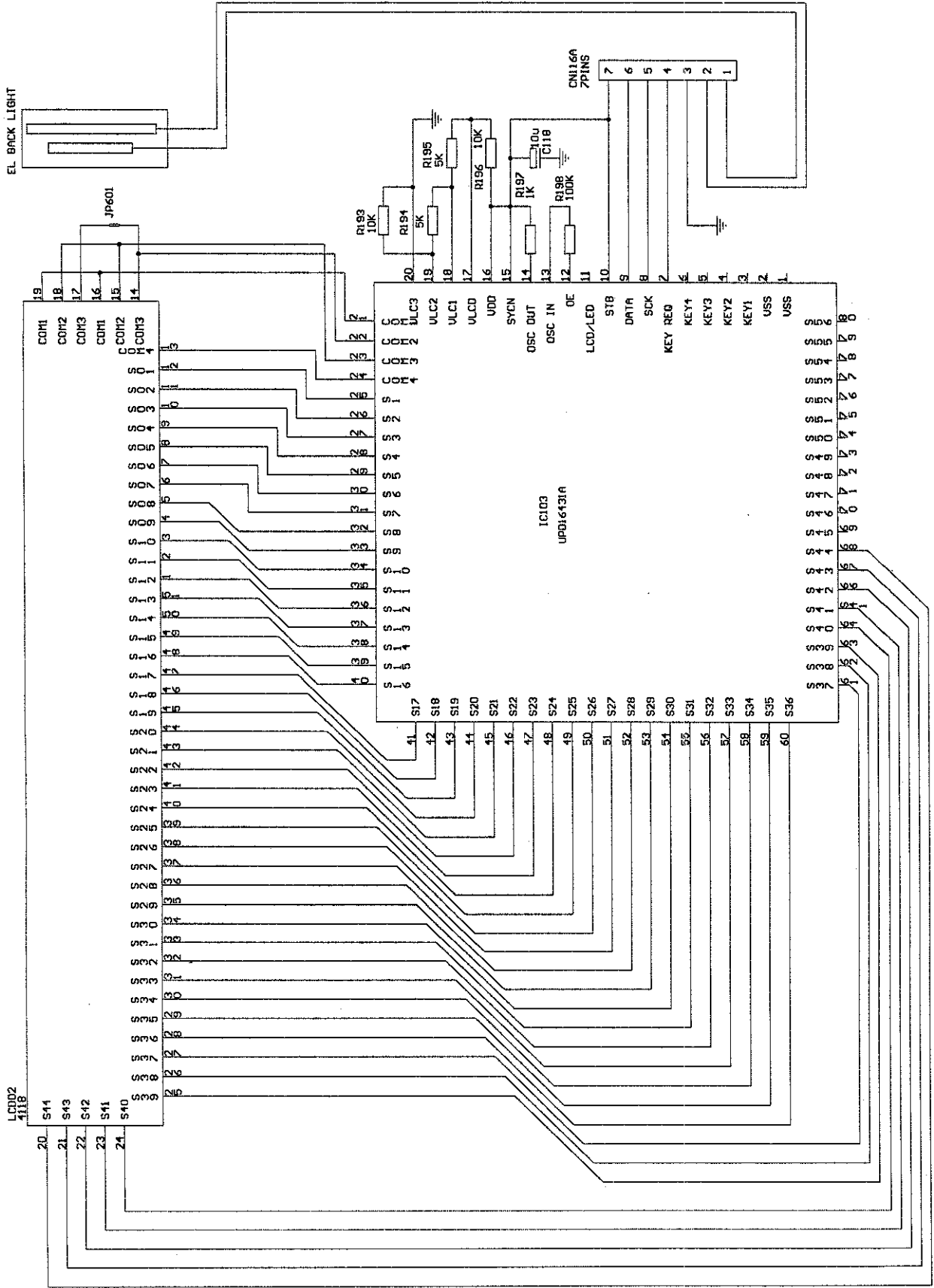
AUX IN
Q221 Q222

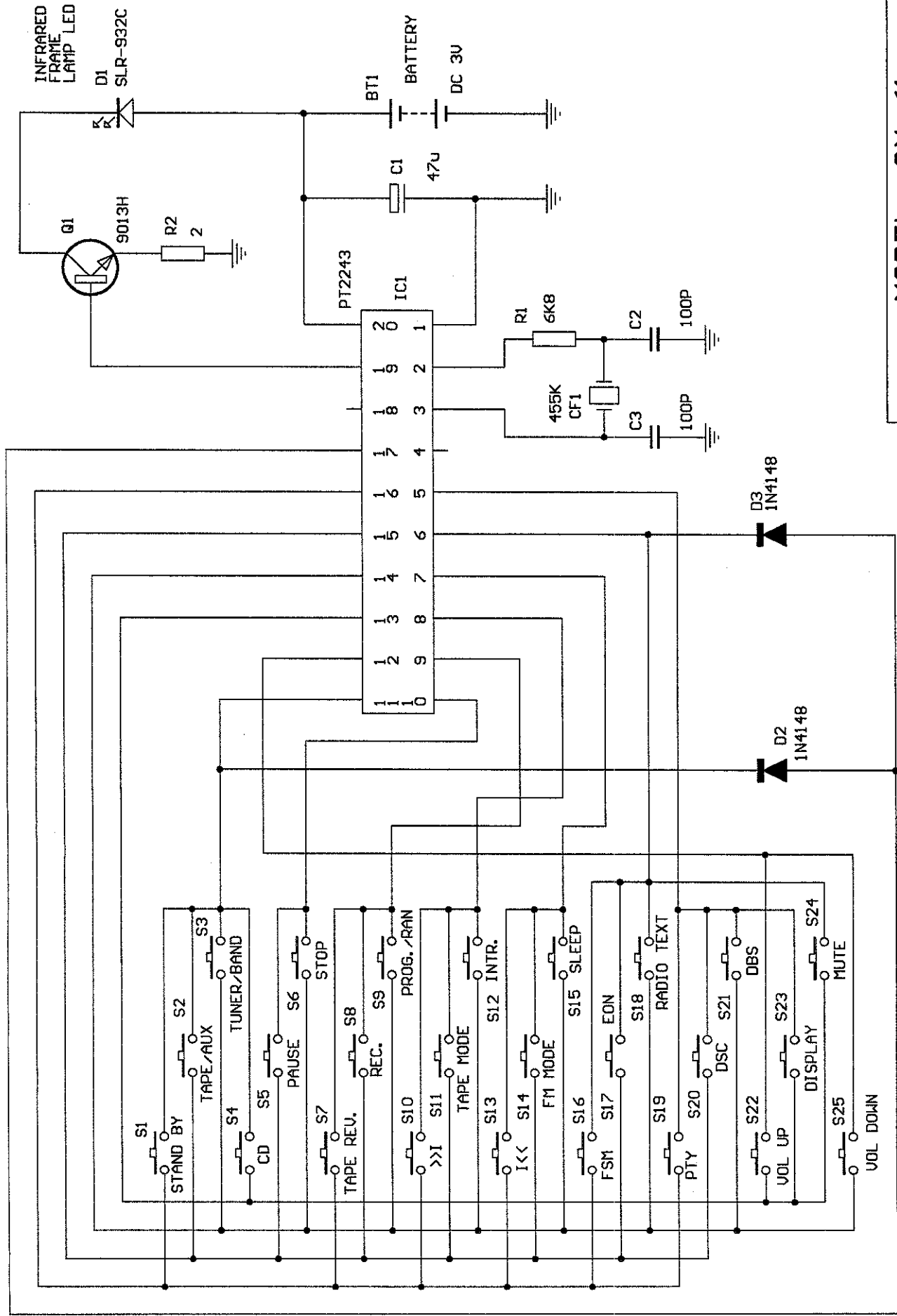
LOGIC DECK
IC401 BA3126N
IC402 TA8142AP

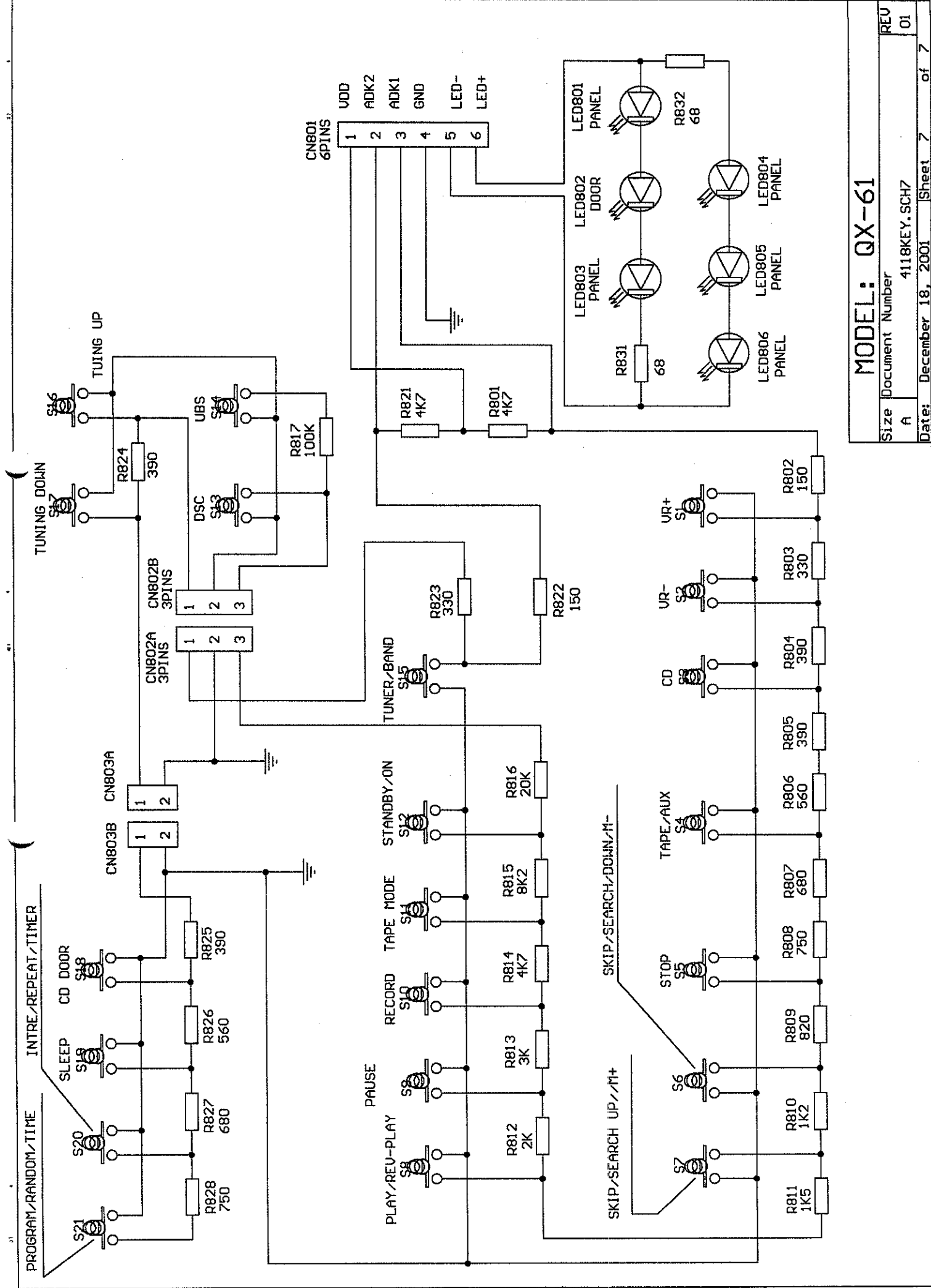
CD SERVO
IC701 CXA3068Q
IC702 BA5970FP
IC703 CXA258IN
IC704 SPCA713A

5V REG
Q713



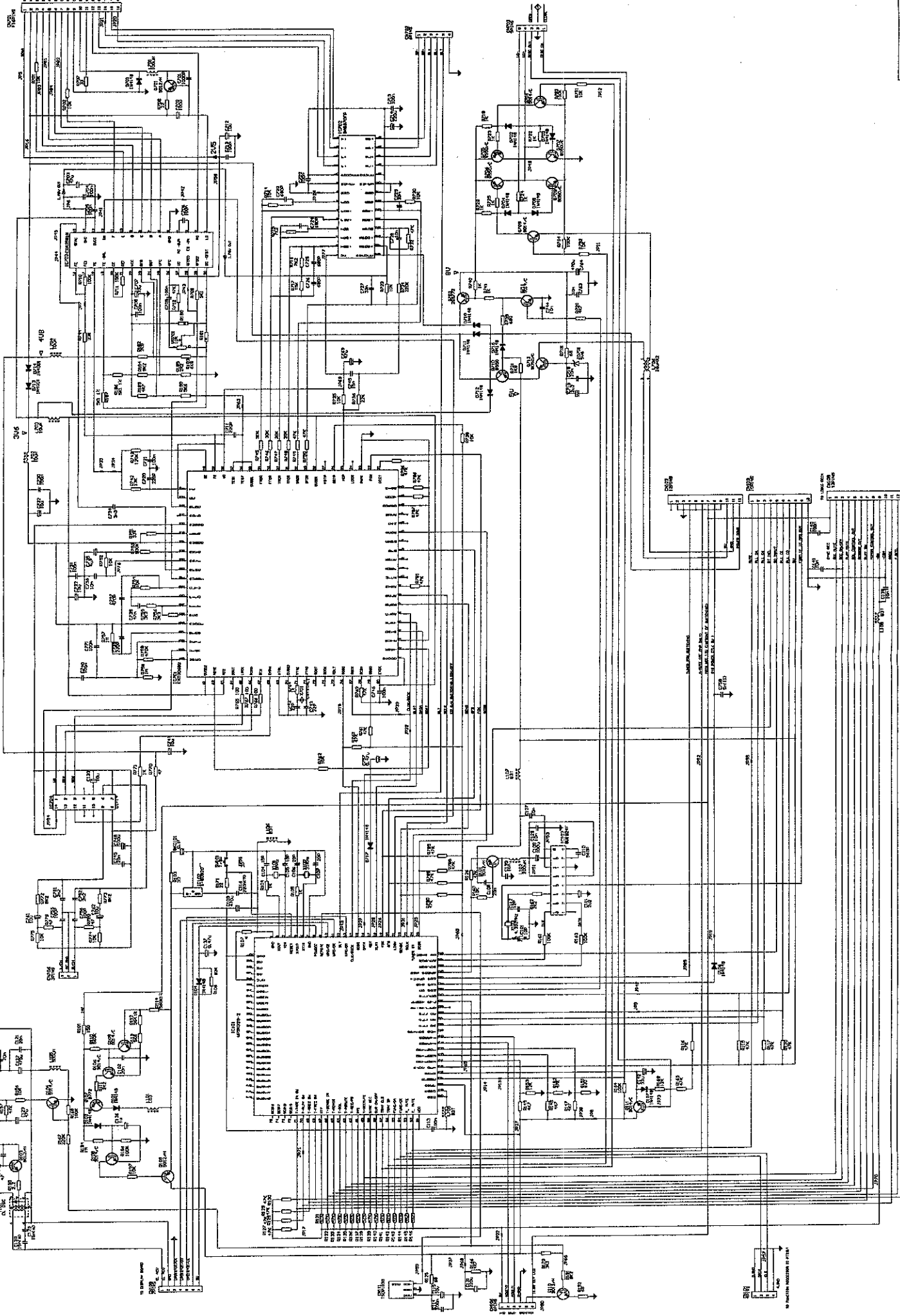






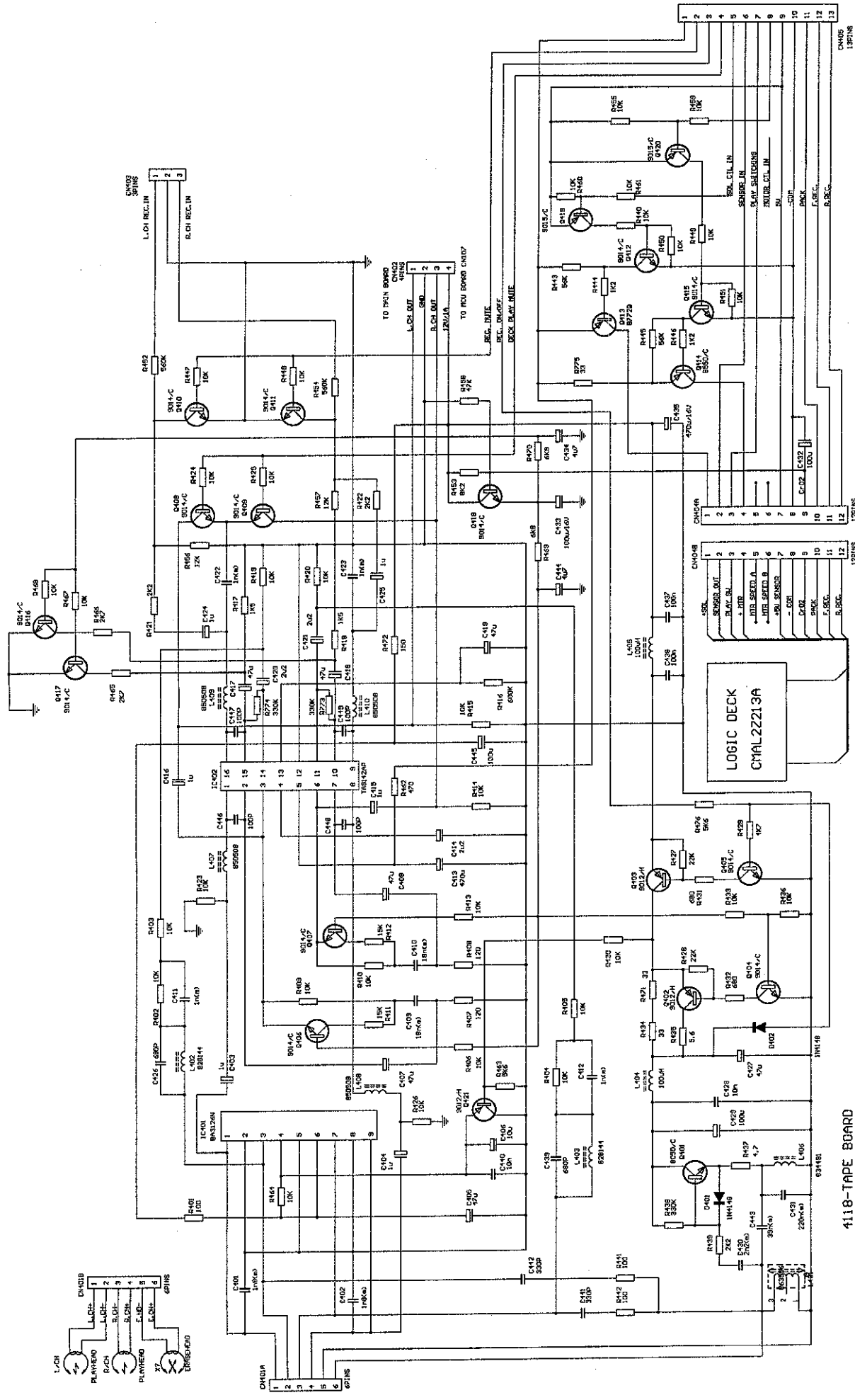
MODEL: QX-61

Size	Document Number	REV
A	4118KEY.SCH7	01
Date:	December 18, 2001	Sheet 7 of 7

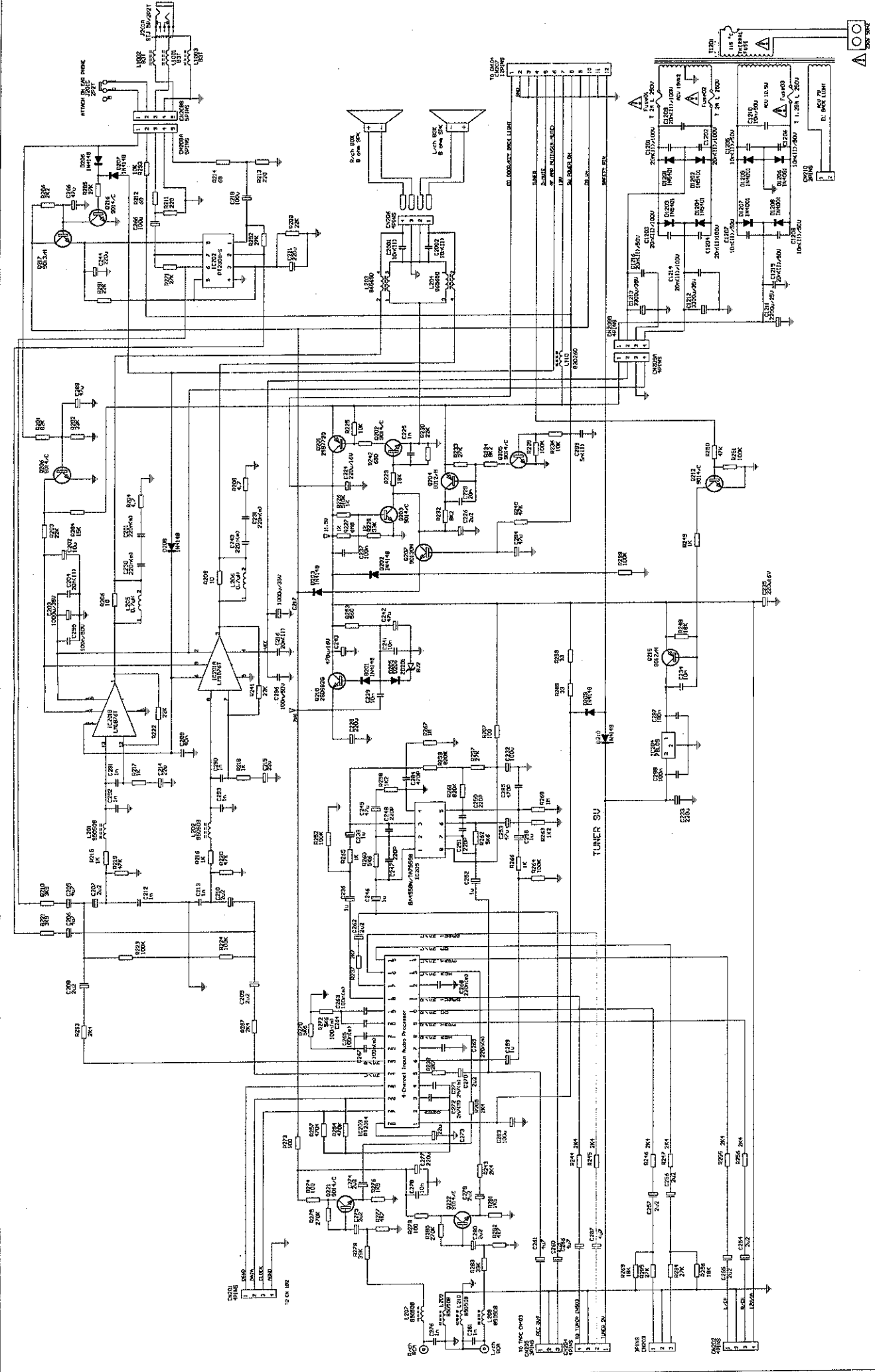


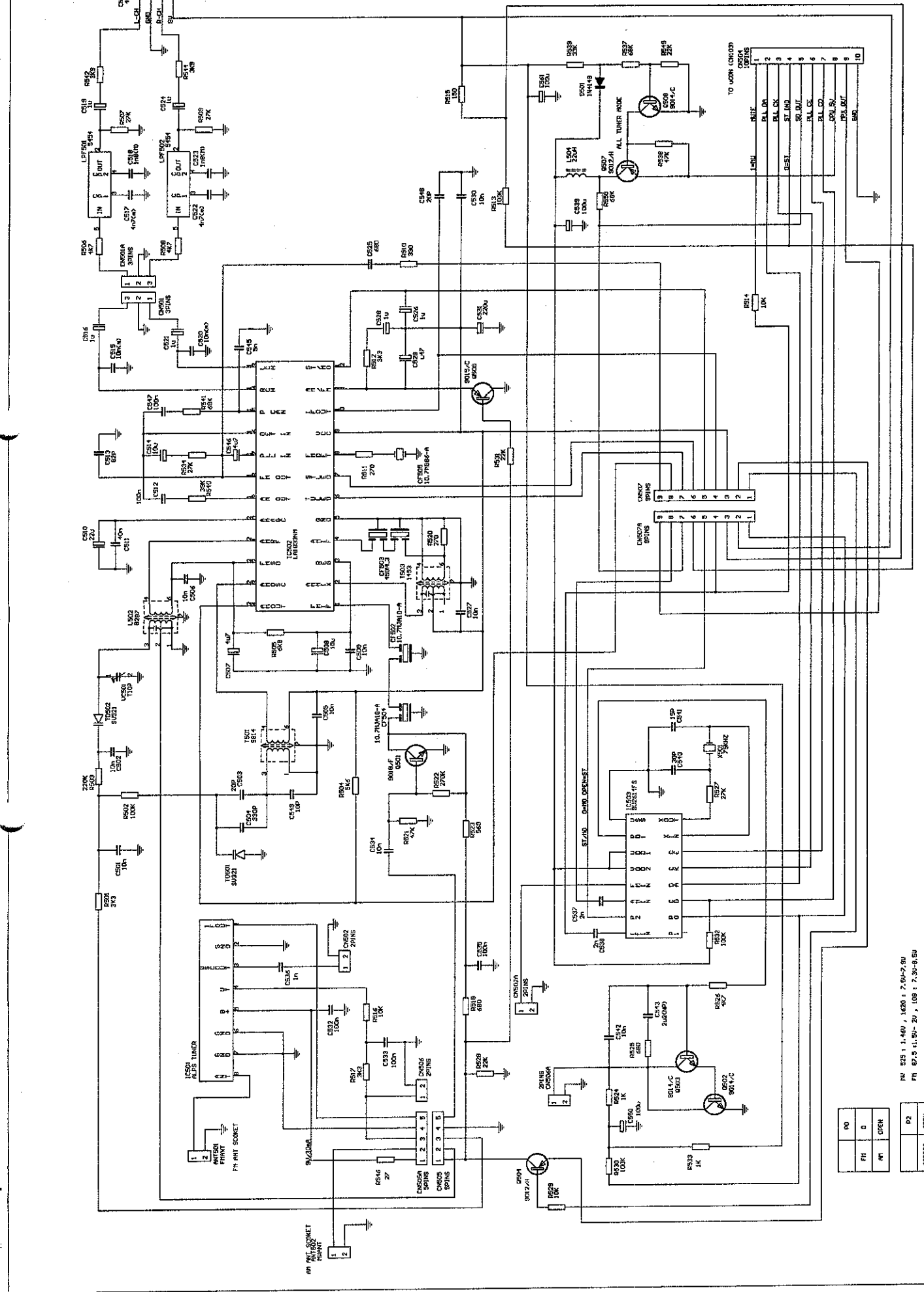
13

13



4118-TAPE BOARD

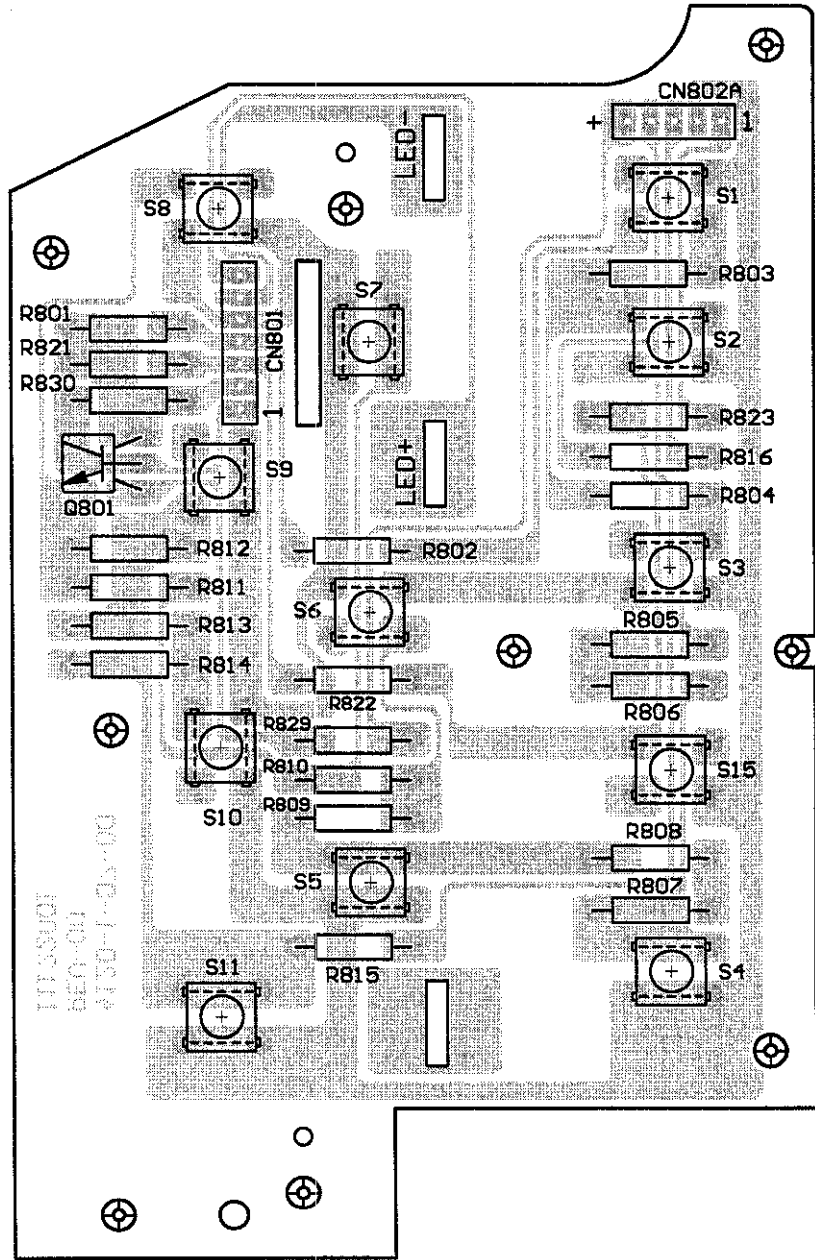
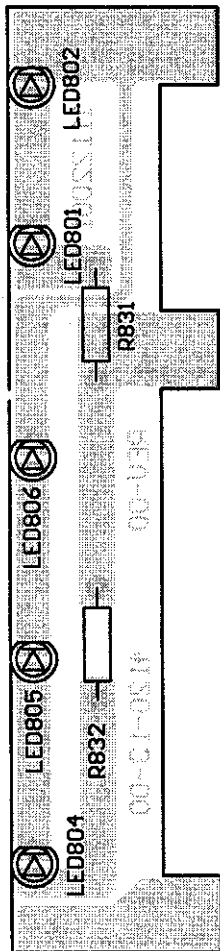
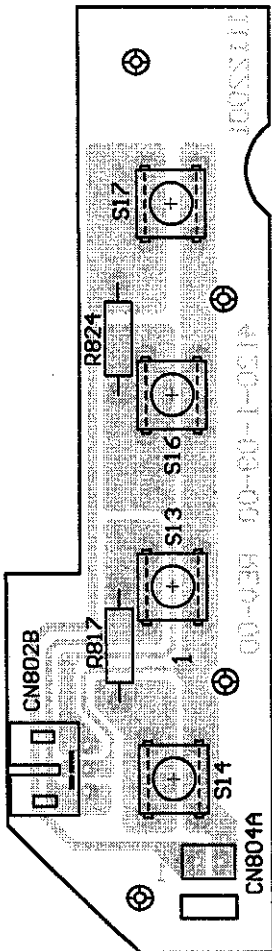
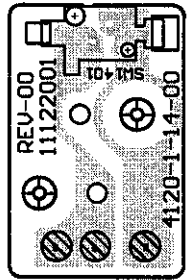
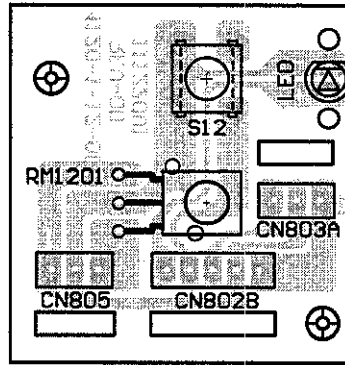
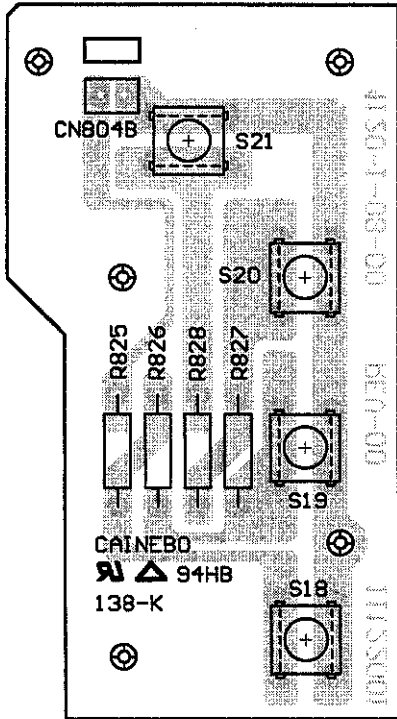




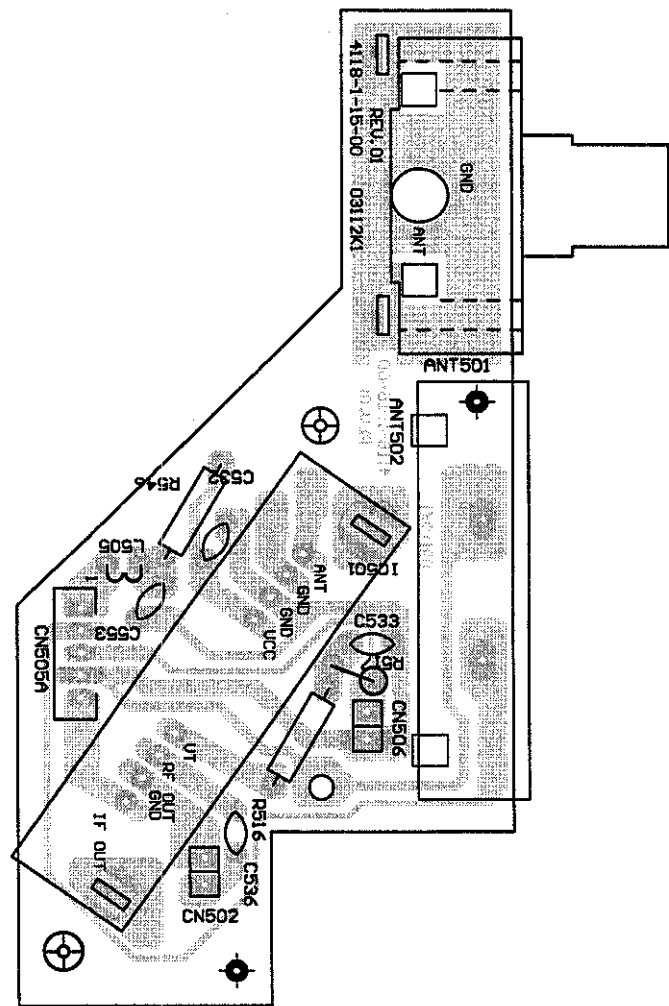
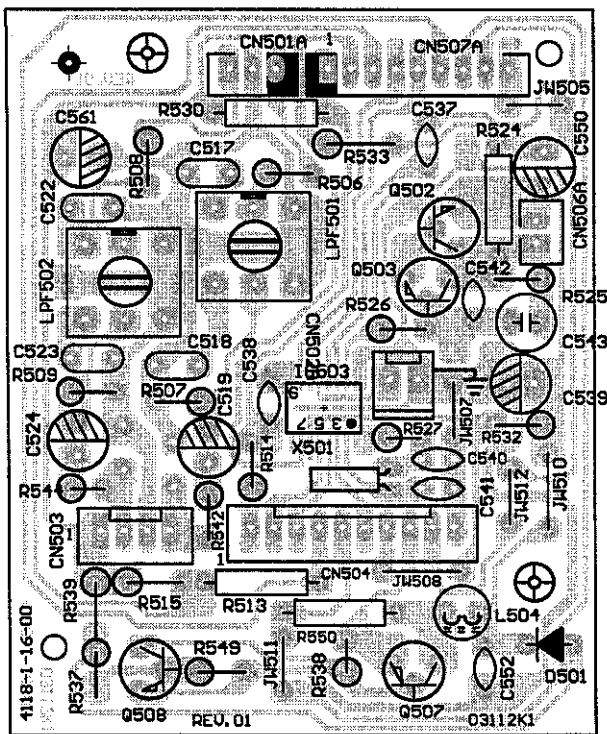
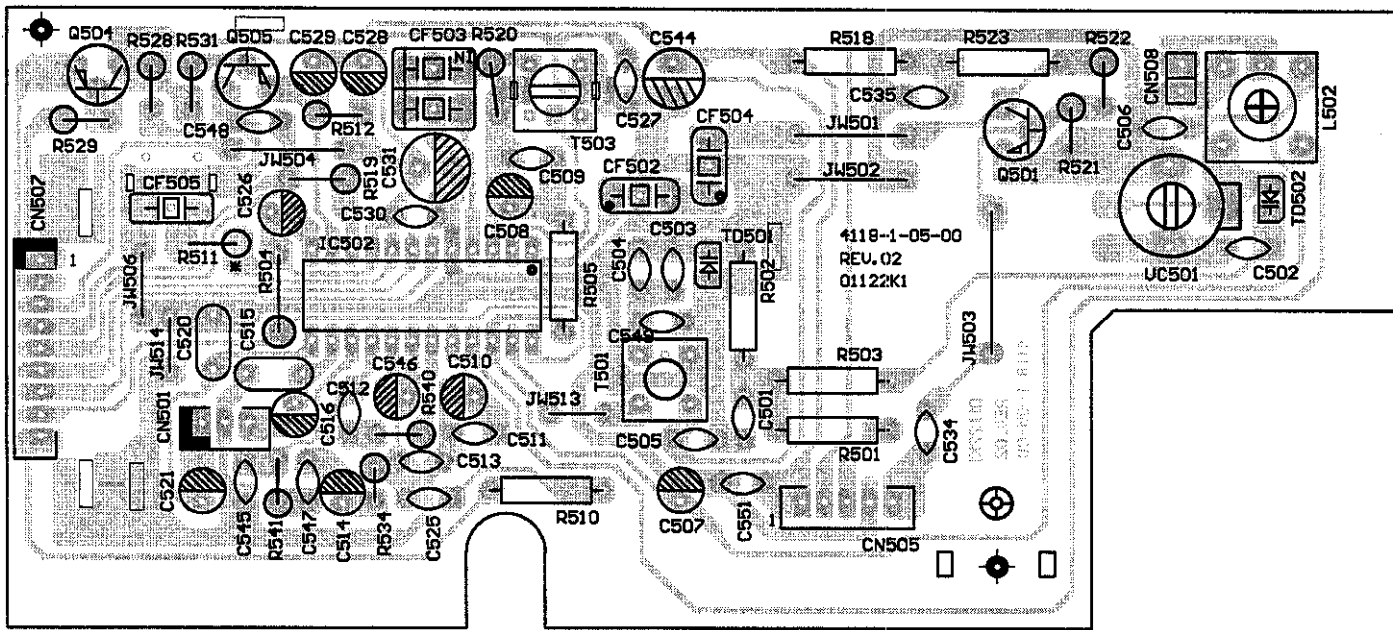
IN 525 1 1.460, 14500 ; 7.50-7.50
 PH 67.5 1.1.50- 20 ; 108 ; 7.30-8.50

NO	0	OPEN
PH	0	OPEN
PH	0	OPEN
STEREO	0	OPEN
MONO	0	OPEN

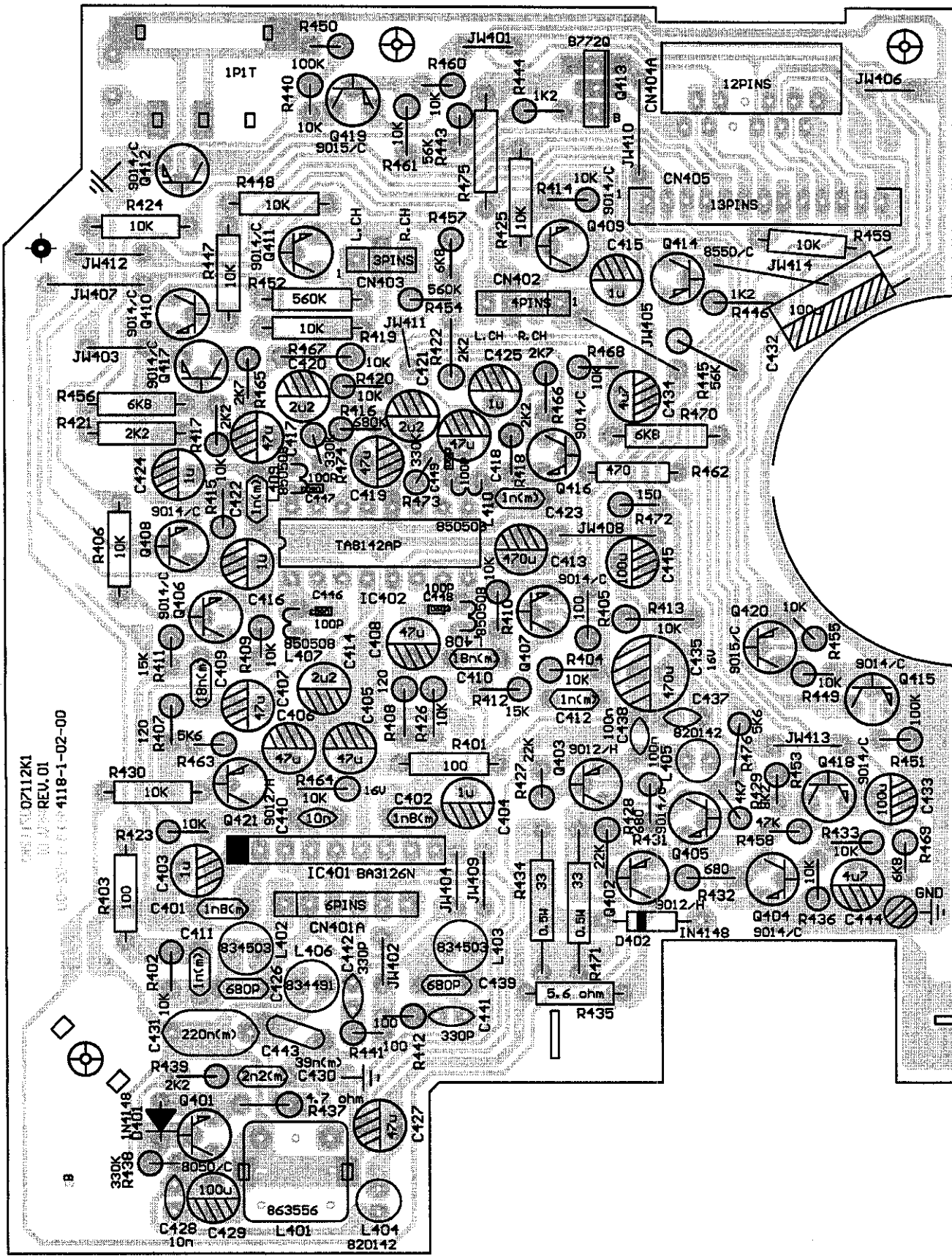
KEY PCB LAYOUT



RADIO PCB LAYOUT



TACK PCB LAYOUT

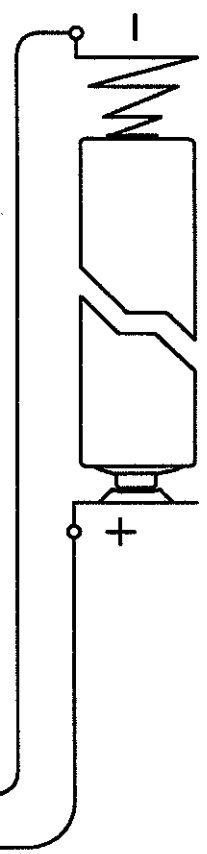
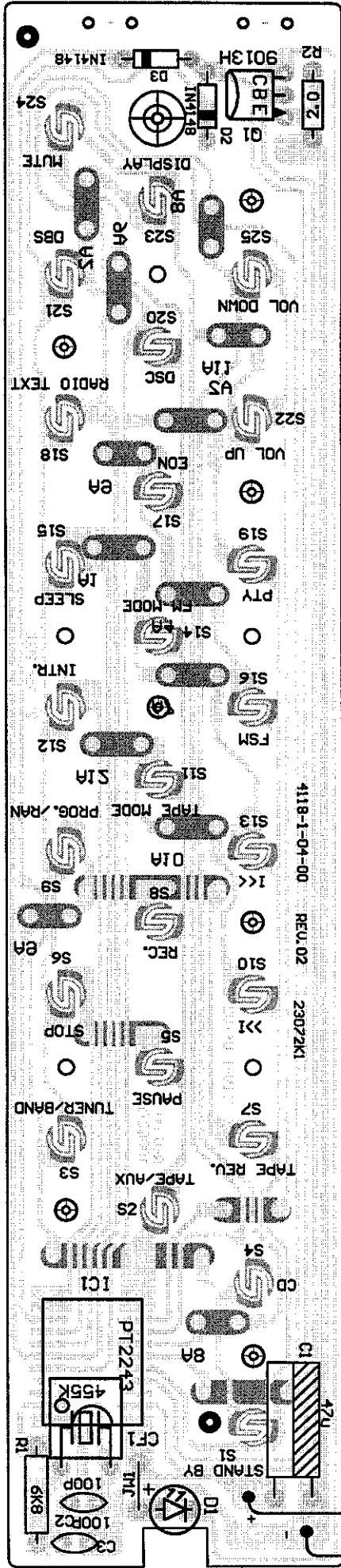


07112K1
REV. 01
4118-1-02-00

B

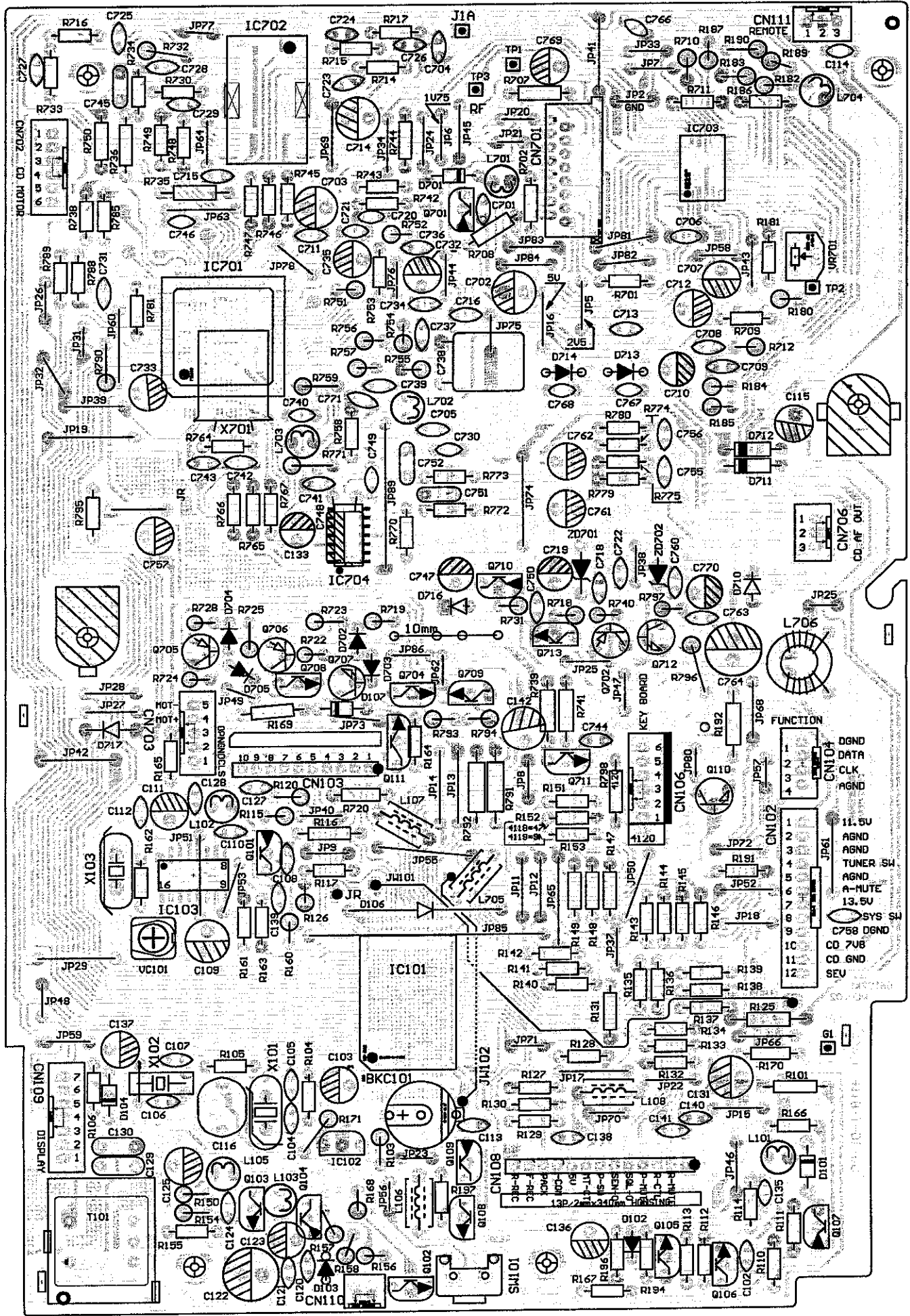


REMOTE HAND SET WIRING DIAGRAM

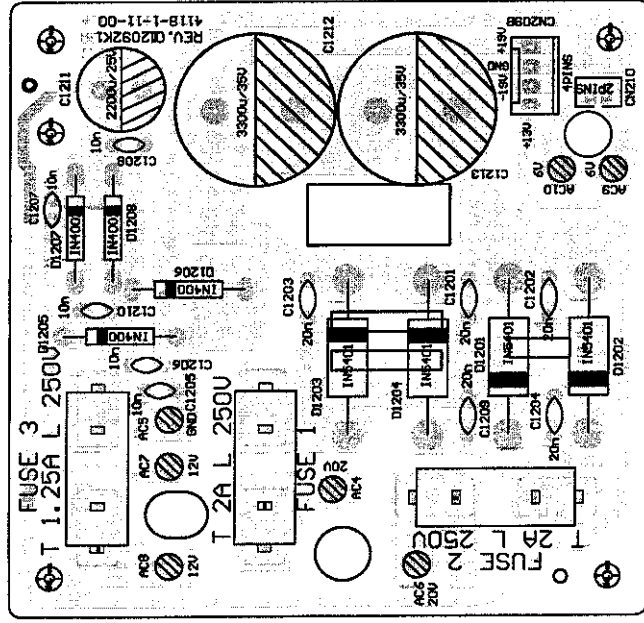
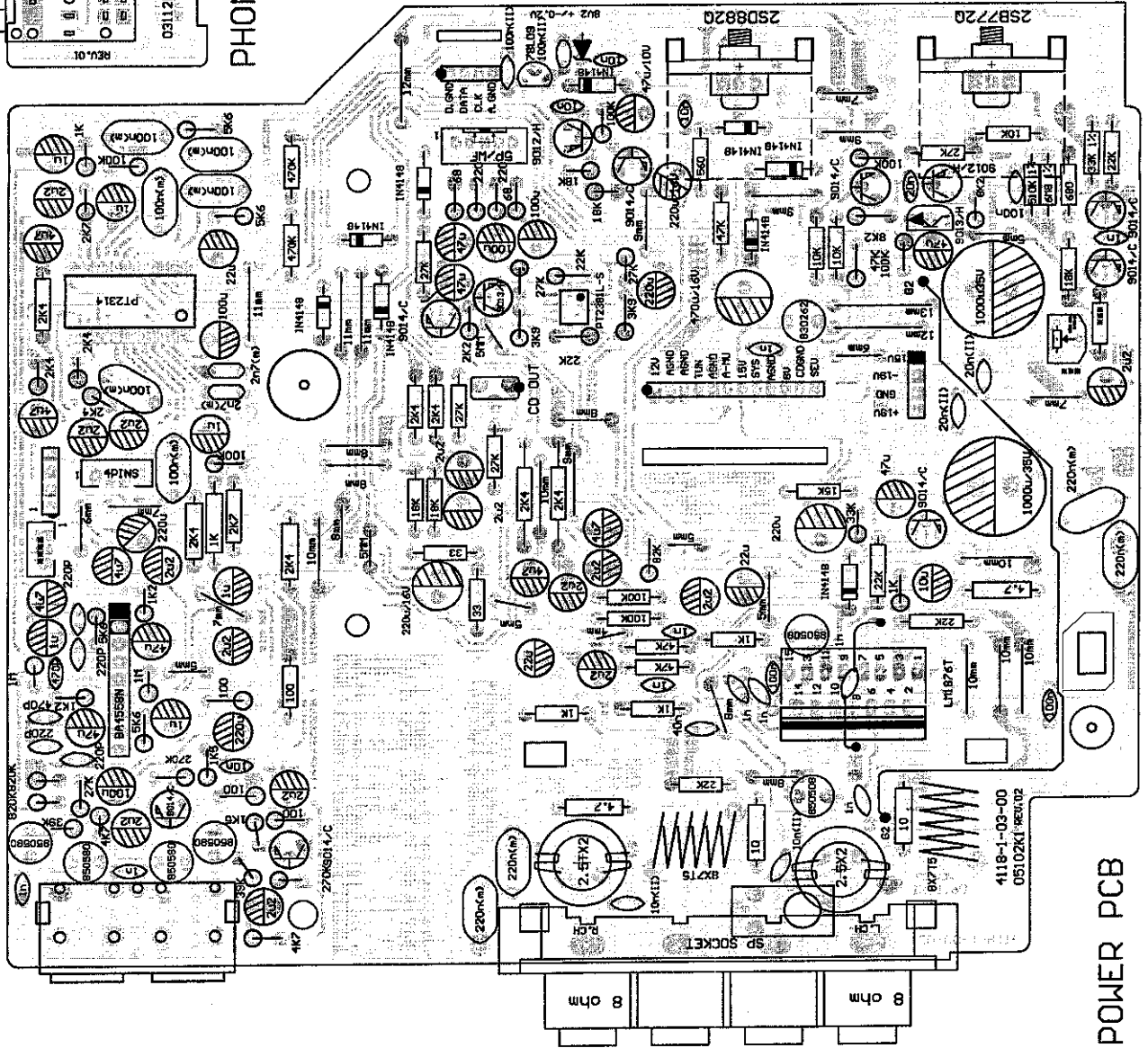
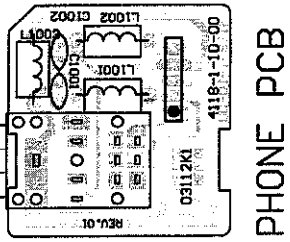


BATT (UM-3/AA/R6) 1.5V X 2

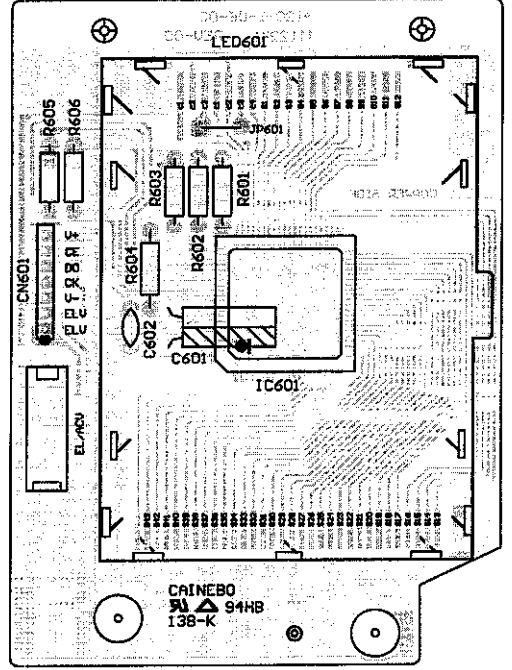
AKAI QX-61 MCU PCB LAYOUT



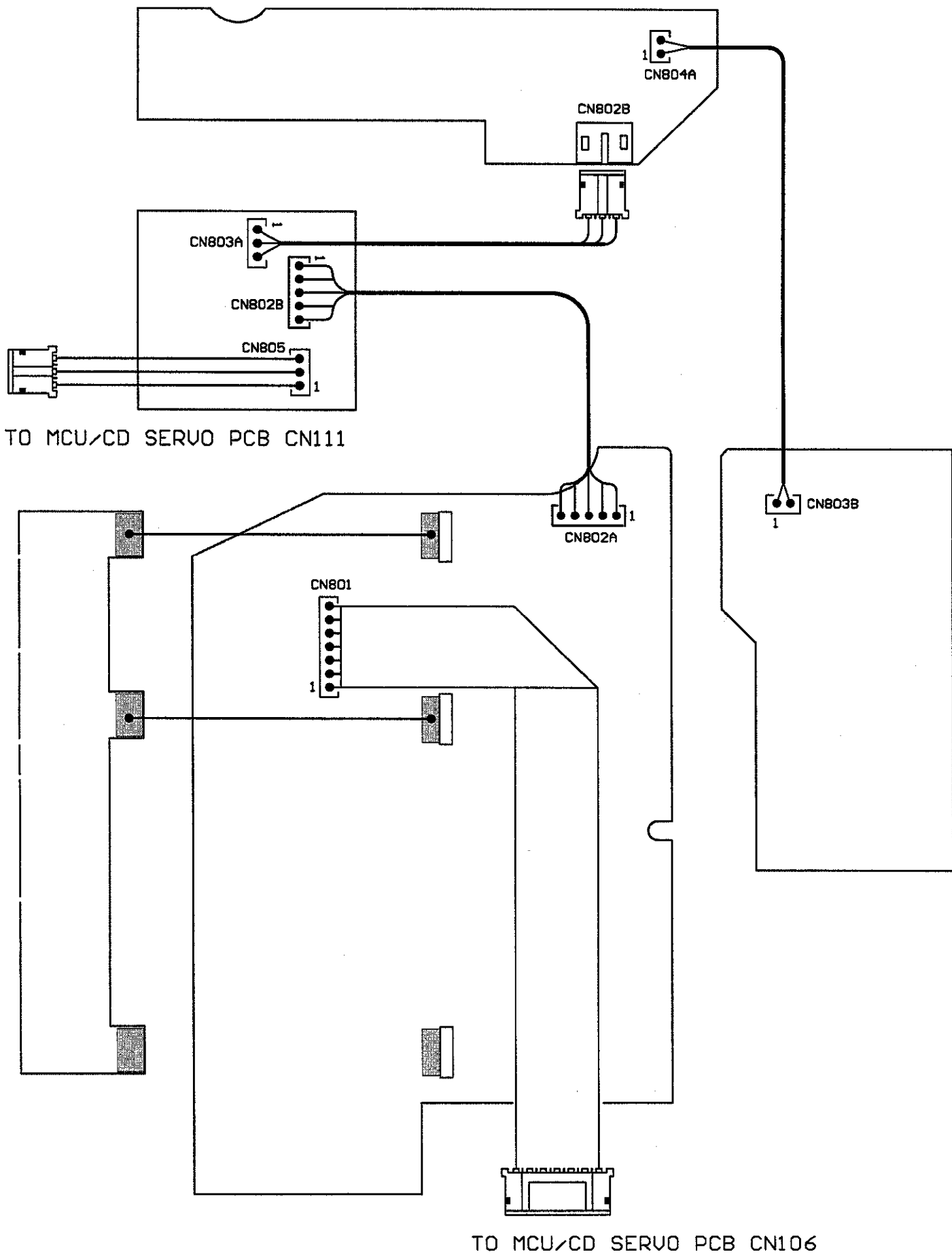
POWER PCB LAYOUT



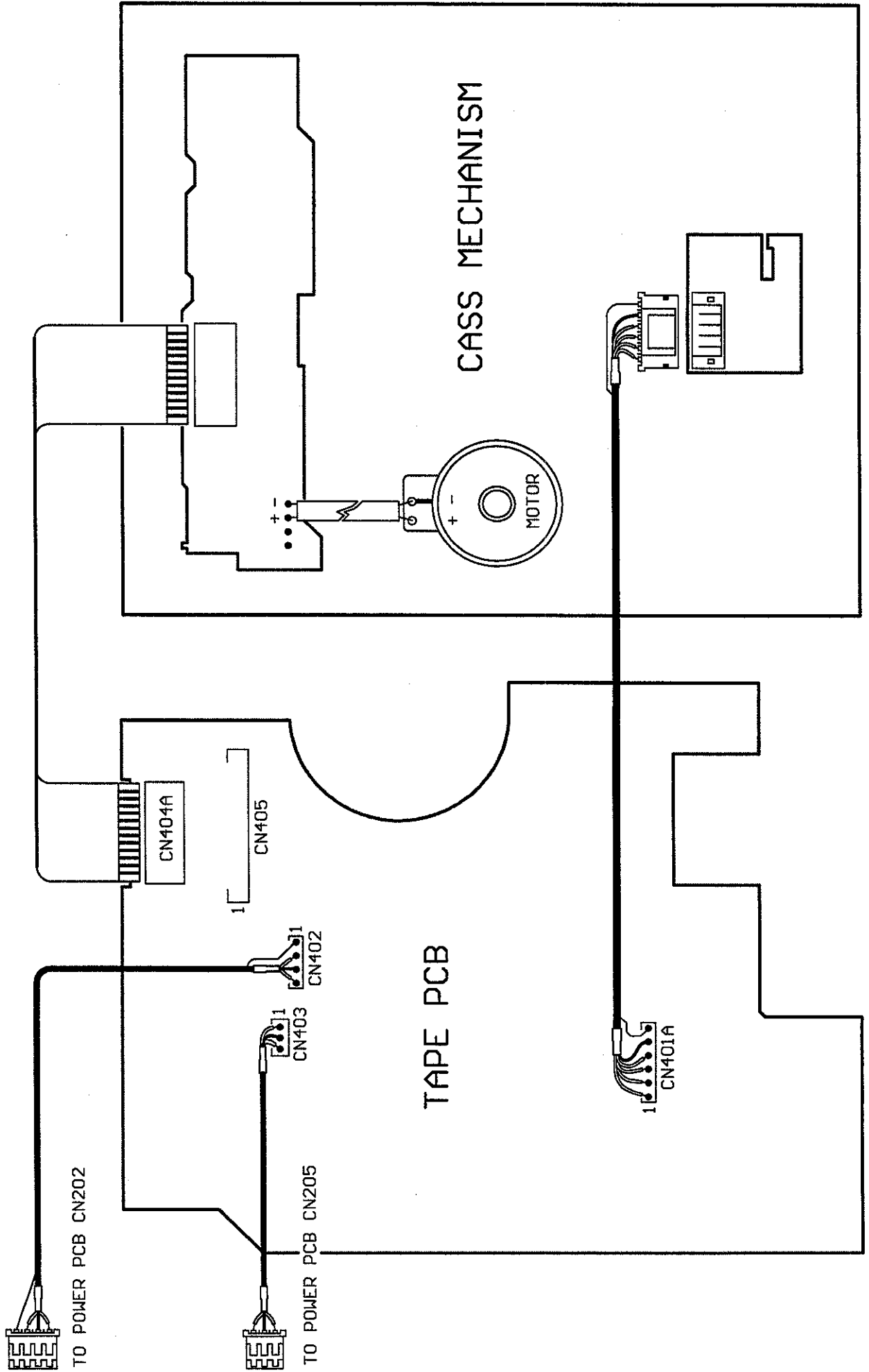
DISPLAY PCB



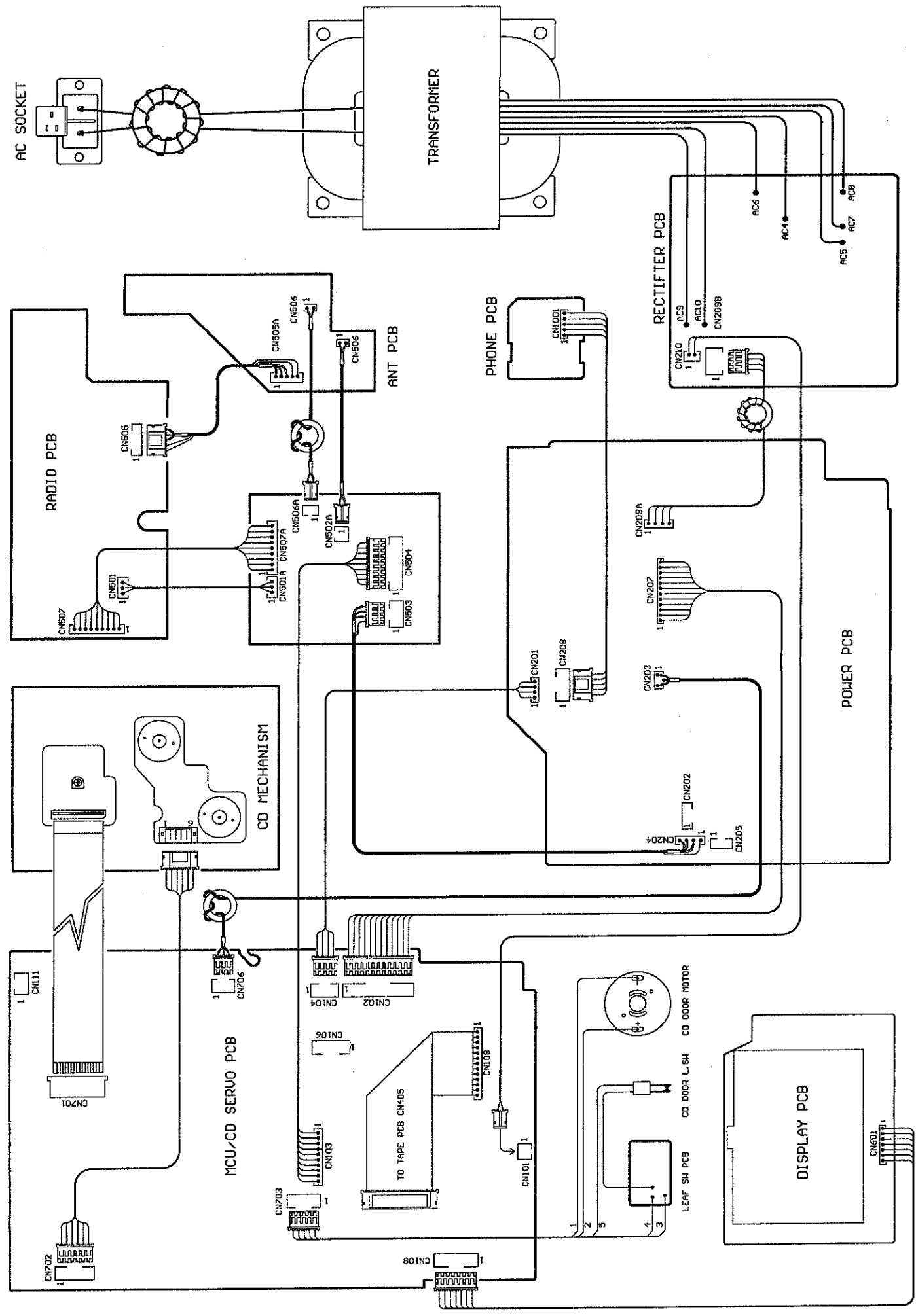
QX-61 KEY PCB WIRING DIAGRAM



QX-61 TAPE PCB WIRING DIAGRAM



AKAI QX-61 WIRING DIAGRAM



ALIGNMENT PROCEDURE

MODEL NO.: AKAI QX-61

INSTRUMENTS REQUIRED

1. Signal Generator
2. FM Signal Generator
3. FM/AM IF Sweep Generator (10.7 MHz for FM)
4. VTVM
5. Oscilloscope
6. Frequency counter

GENERAL PREPARATION

1. Check source voltage, or AC according to specifications
2. Set function switch to band being aligned
3. Signal input should be kept as low as possible to avoid AGC and AFC function
AM 1 KHz 30% mod
FM 1 KHz 22.5 KHz dev
4. Standard modulation :

AM IF ALIGNMENT

STEP	SIGNAL SOURCE (AM RF Gen.) CONNECT TO	SET SIGNAL TO	ALIGNMENT INDICATOR (Oscilloscope, VTVM) CONNECT TO	SET RADIO DIAL TO	ADJUST	ADJUST FOR	REMARKS
1	A standard radiation loop	450KHz	TP 5 Detector output terminal and ground (TP6)	Quiet Point	T503	Maximum	Volume control at min. position
2	Repeat step 1 for max. output						

FM IF ALIGNMENT

This model requires no FM IF alignment as the IF is fixed by ceramic filter and discriminator CF504 & CF502. Please take note that correct type and same color dot of ceramic filter is used in servicing, diff color dot of ceramic filter may cause worse IF 'S' curve characteristic and distortion.

ALIGNMENT PROCEDURE

MODEL NO.: AKAIQX-61

FM RF ALIGNMENT

STEP	SIGNAL SOURCE (FM Signal Gen.) CONNECT TO	SET SIGNAL TO	ALIGNMENT INDICATOR (Oscilloscope, VTVM) CONNECT TO	SET RADIO DIAL TO	ADJUST	ADJUST FOR	REMARKS	
1	TP1 & TP2 through matching network if necessary		TP7 DETECTOR OUTPUT TERMINAL AND GROUND (TP6)					
2		98MHz						
3				98MHz	IC501 IFT	Maximum	Volume control at max. position	
4								
5								

FM MPX ALIGNMENT (N/A)

STEP	SIGNAL SOURCE	SET SIGNAL TO	ALIGNMENT INDICATOR (Frequency Counter) CONNECT TO	SET RADIO DIAL TO	ADJUST	ADJUST FOR	REMARKS
1							
2							
3							
4							
5							

AM RF ALIGNMENT

STEP	SIGNAL SOURCE (AM Signal Gen.) CONNECT TO	SET SIGNAL TO	ALIGNMENT INDICATOR (Oscilloscope, VTVM) CONNECT TO	SET RADIO DIAL TO	ADJUST	ADJUST FOR	REMARKS	
1	A standard radiation loop ant.		Across speaker voice coil	(Lowest end)			Digital DC Volt meter is connected to TP 3 and grd.	
2				(Highest end)	L 501 (Osc. coil)	DC 8V±0.2V		
3		558 KHz (modulated)		558 KHz	L502 (ant. coil)	Maximum	Volume control at max. position	
4		1440 KHz (modulated)		1440 KHz	VC 501 (ant. trimmer)			
5								

ALIGNMENT PROCEDURE

MODEL NO.: AKAI QX-61

LW RF ALIGNMENT (N/A)

STEP	SIGNAL SOURCE (LW Signal Gen.) CONNECT TO	SET SIGNAL TO	ALIGNMENT INDICATOR (Oscilloscope, VTVM) CONNECT TO	SET RADIO DIAL TO	ADJUST	ADJUST FOR	REMARKS
1	A standard radiation loop ant.		Terminals across speaker voice coil	(Lowest end)			Digital DC Volt meter is connected to TP 7 and grd.
2				(Highest end)			
3		153 KHz (modulated)		153 KHz		Maximum	Volume control at max. position
4		261 KHz (modulated)		261 KHz			
5	Repeat steps 3 and 4 as necessary to minimize tracking error and also steps 1 and 2 if necessary						

ALIGNMENT PROCEDURE FOR CD SECTION

Applicable unit :

- 1 This model is using CD drive unit No. Sony KSM-213CJM
- 2 The alignment for CD section digital volt meter is connected to tp9, tp10, adjust for vr701 to OVDC

ALIGNMENT PROCEDURE

MODEL NO.: AKAI QX-61

GENERAL PREPARATION - 1) Check source voltage, AC according to specifications. 2) Set function switch to Tape being aligned.

A) MEASURING INSTRUMENTS REQUIRED FOR TAPE SPEED AND HEAD AZIMUTH ADJUSTMENT.

(1) TAPE SPEED ADJUST

MTT-211NA (3150 Hz) TEST.

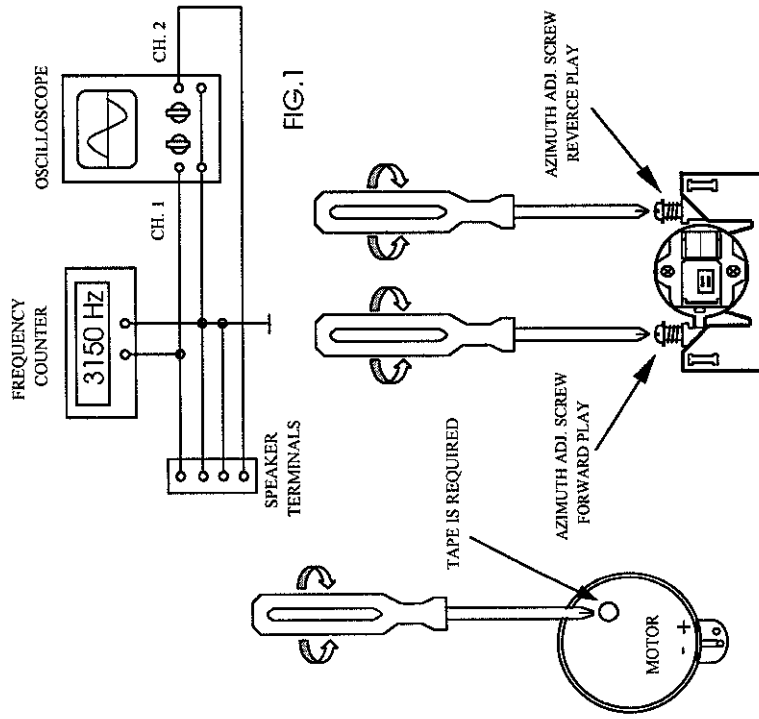


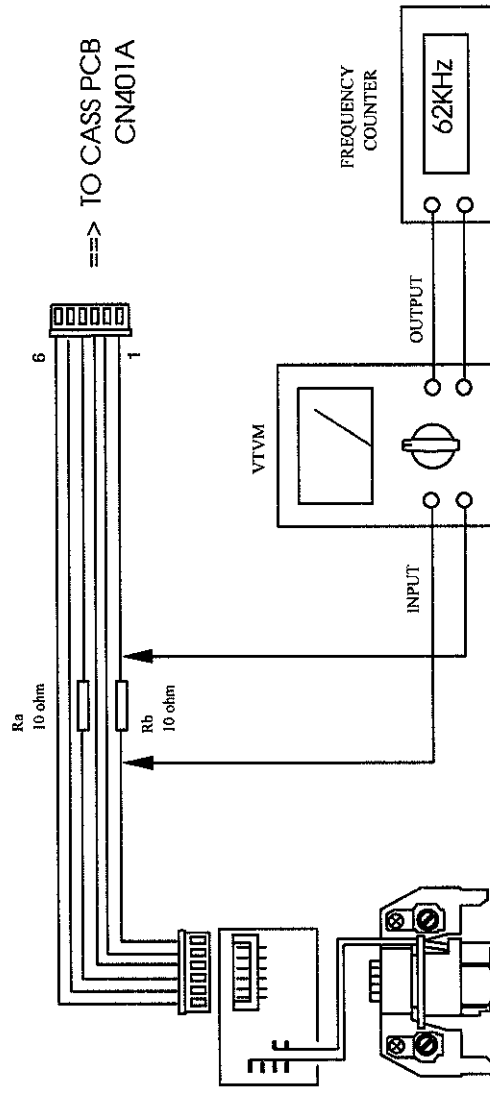
FIG. 1

(2) HEAD AZIMUTH ADJUSTMENT.

- 2.1 - Connect the equipments as shown in the Fig. 1. (The Both Speakers loading Are Required)
- 2.2 - Insert a test tape (10 KHz: MTT-114) into deck.
- 2.3 - Press PLAY and set VOLUME at reference output.
- 2.4 - Adjust the azimuth adjustment screw for the max. & balance ch. output on both ch. of oscilloscope.
- 2.5 - Secure above screw with glue after adj. completed.

B) EQUIPMENTS REQUESTED FOR AC BIAS FREQUENCY / CURRENT ADJUSTMENT :

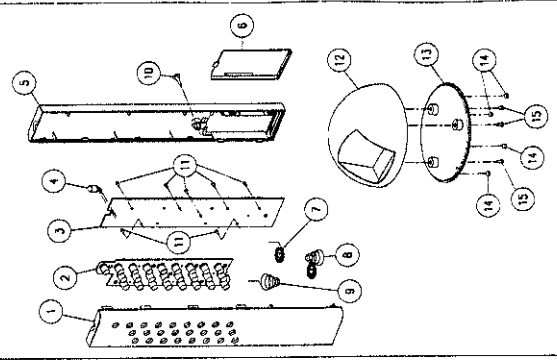
FIG. 2



AC BIAS FREQUENCY ALIGNMENT :

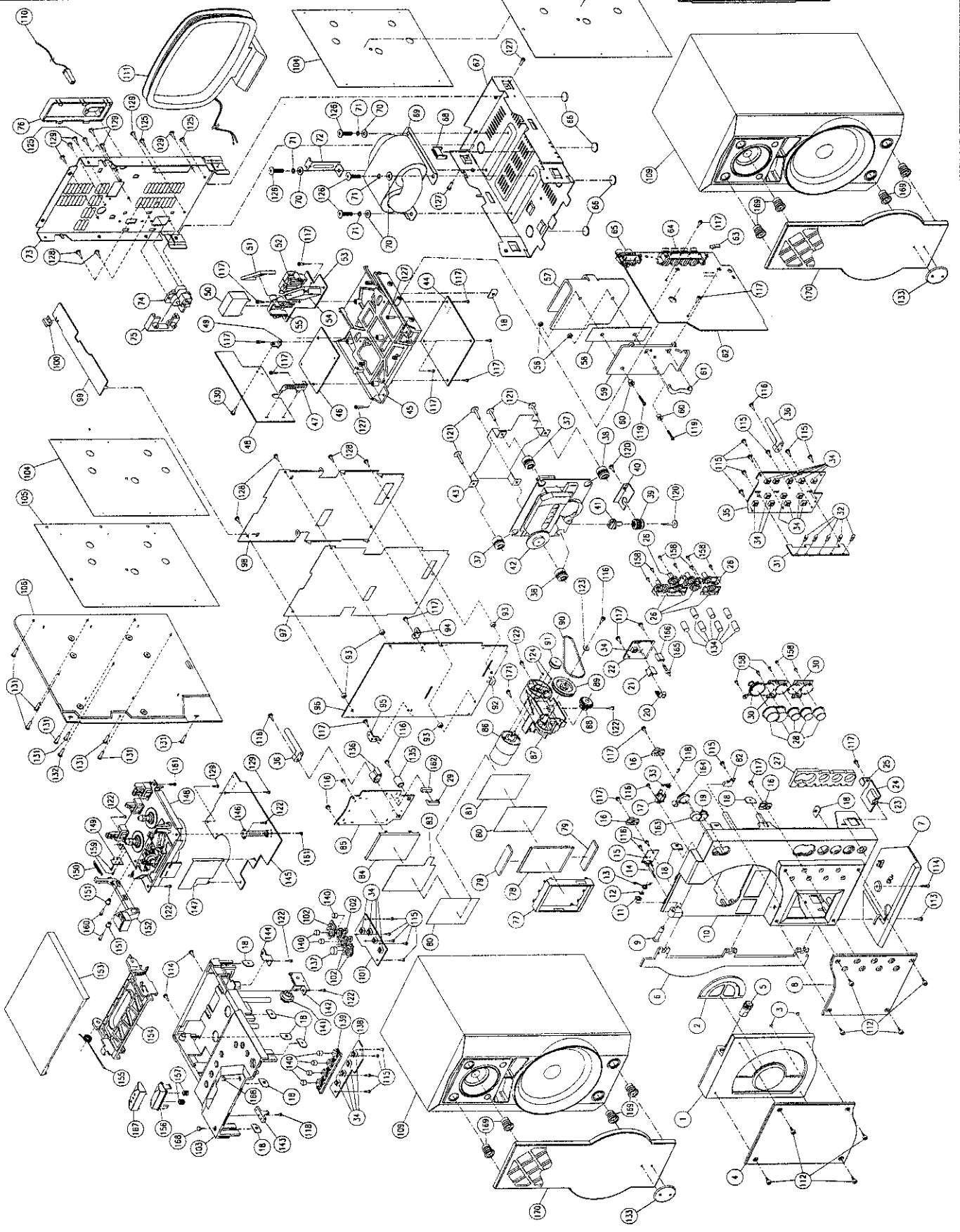
Note :The test unit should be keep in recording mode and added two resistors Ra & Rb as shown in the Fig. 2 before alignment. be sure to delete the both resistors Ra & Rb after alignment completed.

Test Point	Adjust	Frequency at Beat 0	Frequency Observe at			Observe
			Beat 1	Beat 2	Beat 0	
Resistor Ra or Rb	L 401	ICE 1				



REMOTE UNIT

EXPLODED VIEW
 MODEL : AKAI QX-61
 DATE: 7 JAN 2002



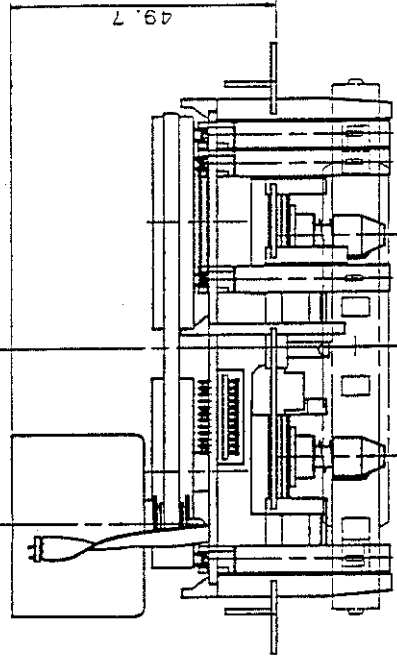
NO.	DESCRIPTION	NO.	DESCRIPTION	NO.	DESCRIPTION	NO.	DESCRIPTION
1.	CD DOOR	91.	PULLEY	135.	SPACER - A	1.	FRONT CABINET
2.	CD DOOR REAR PLATE	92.	TACT SWITCH -- RESET	136.	SPACER - B	2.	KEY PAD
3.	RUBBER FOOT (CD DOOR)	93.	SPACER	137.	TOP PANEL KEY	3.	REMOTE PCB
4.	CD DOOR LENS	94.	MOUNTING BRACKET - A	138.	CASSETTE KEY PCB	4.	IR EMITTER
5.	GEAR - A	95.	MOUNTING BRACKET - B	139.	CASSETTE KEY ADAPTOR	5.	BOTTOM CABINET
6.	CD REAR LENS	96.	SERVO PCB	140.	CASSETTE FUNCTION KEY	6.	BATTERY DOOR
7.	UNIT STAND	97.	SHIELDING - ISOLATOR	141.	DAMPING GEAR	7.	BATTERY CONTACT '+'
8.	DISPLAY LENS	98.	SHIELDING - CD SERVO	142.	GEAR HOLDER	8.	BATTERY CONTACT '-'
9.	CD DOOR STUD	99.	SHIELDING - TOP	143.	MOUNTING HOOK	9.	BATTERY CONTACT - COMMON
10.	FRONT CABINET	100.	SHIELDING - MOUNTING	144.	DECK MOUNTING BRACKET	10.	2.6 X 10 ST/PA
11.	WASHER	101.	TOP KEY PCB	145.	CASSETTE PCB	11.	2 X 5 ST/PA
12.	E-RING	102.	TOP PANEL KEY ADAPTOR	146.	LONG MOUNTING BRACKET	12.	REMOTE STAND
13.	CD DOOR SPRING	103.	TOP PANEL	147.	DECK SHIELDING BRACKET	13.	REMOTE STAND BOTTOM
14.	LEAF SWITCH	104.	CARD	148.	CASSETTE MECHANISM	14.	RUBBER (REMOTE STAND)
15.	LEAF SWITCH PCB	105.	SHIELDING PAPER (LEFT SIDE PANEL)	149.	CASSETTE SPRING BRACKET	15.	3 X 8 ST/PA
16.	MOUNTING LENS BRACKET	106.	LEFT SIDE PANEL	150.	CASSETTE LOCK SPRING		
17.	LEAF SWITCH BRACKET	107.	SHIELDING PAPER (RIGHT SIDE PANEL)	151.	CASSETTE LOCK FIXING POST		
18.	SCREW PLATE	108.	RIGHT SIDE PANEL	152.	CASSETTE DOOR LOCK		
19.	REMOTE LENS	109.	SPEAKER BOX	153.	CASSETTE COVER		
20.	IR RECEIVER	110.	FM ANTENNA	154.	CASSETTE BRACKET		
21.	IR RECEIVER HOLDER	111.	MW ANTENNA	155.	CASSETTE DOOR SPRING		
22.	IR RECEIVER PCB	112.	3 X 8 ST/PA (NI)	156.	CASSETTE DOOR OPEN BUTTON		
23.	EARPHONE JACK	113.	2.6 X 8 ST/KA	157.	SPRING (OPEN BUTTON)		
24.	EARPHONE JACK PCB	114.	M3 X 8 KM	158.	2 X 6 ST/BA		
25.	MOUNTING BRACKET	115.	2 X 8 ST/BA	159.	M2.6 X 6 PM		
26.	KEY BUTTON ADAPTOR	116.	2.6 X 8 ST/BA	160.	M2.6 X 10 PM		
27.	LIGHT GUIDE	117.	3 X 10 ST/BA	161.	M3 X 5 BM		
28.	FUNCTION KEY	118.	2.6 X 8 ST/PA	162.	SILICON RUBBER		
29.	EL RUBBER HOLDER	119.	M3 X 12 BM	163.	STAND BY BUTTON		
30.	FUNCTION KEY BASE	120.	2.6 X 8 PWA	164.	STAND BY BUTTON BASE		
31.	BACKLIGHT PCB	121.	2.6 X 16 ST/PWB (CD SCREW)	165.	LED (RED)		
32.	LED (AMBER)	122.	3 X 8 ST/PWA	166.	LED HOLDER		
33.	LEAF SWITCH	123.	WASHER - 0.0.8/1.0.3.2/T=1	167.	CASS. DOOR OPEN BUTTON TOP		
34.	TACT SWITCH	124.	M2 X 6 BM	168.	STUD		
35.	FUNCTION KEY PCB	125.	M3 X 8 PM	169.	RUBBER		
36.	LONG SPACER	126.	M4 X 8 BM	170.	SPEAKER GRILLE		
37.	CD CUSHION - GREY	127.	M3 X 8 BM	171.	3 X 6 ST/PWA		
38.	CD CUSHION - RED	128.	3 X 14 ST/PA				
39.	CD CUSHION - GREEN	129.	3 X 10 ST/PA				
40.	CD CUSHION BRACKET	130.	M2.6 X 5 BM				
41.	CD SUPPORTER	131.	M3 X 8 CM				
42.	CD MECHANISM	132.	M3 X 8 CA				
43.	CD COVER	133.	SPEAKER CHROMED PLATE				
44.	REFTIFIER PCB	134.	KEY BUTTON				
45.	RADIO BRACKET						

LIST OF EXPLODED VIEW
MODEL : AKAI QX-61
DATE : 7 JAN 2002

LABEL

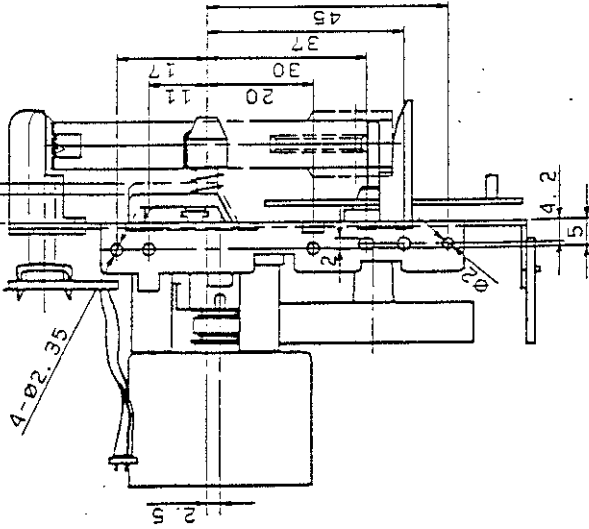
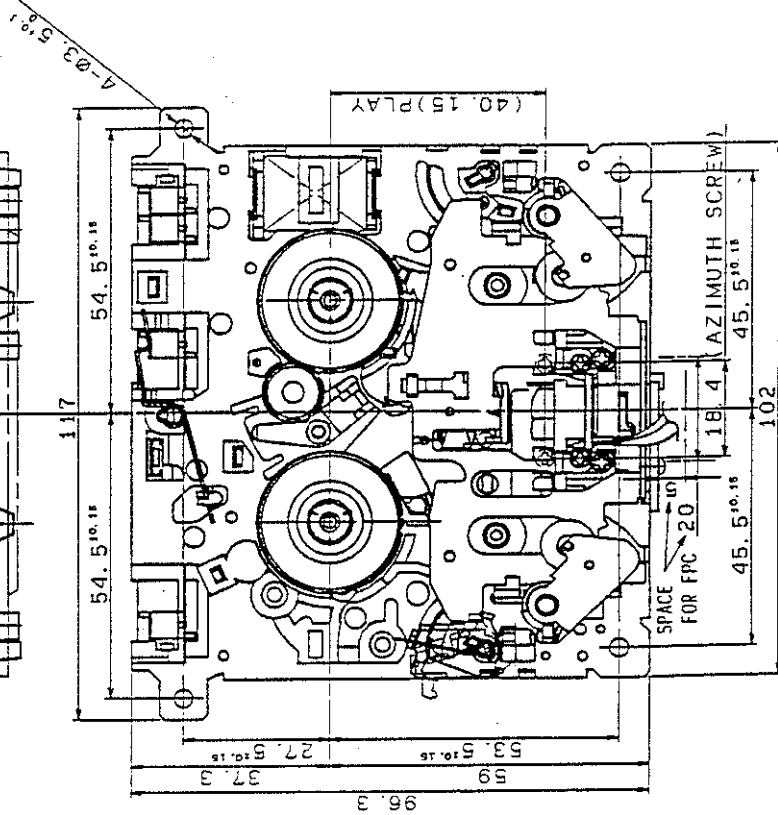
PRINTING ITEMS 印刷項目

1. CUSTOMER NO. (FROM TOP TO 12TH FIGURE)
2. ALPS NO.
3. LOT NO.

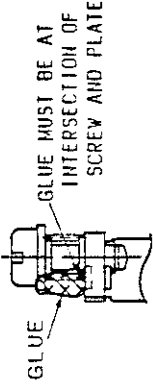


7.55 FF/REW

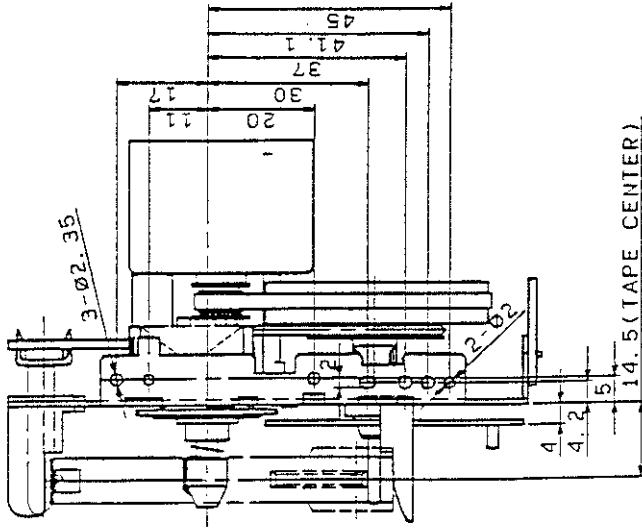
5.55 PLAY



- NOTE**
1. TOLERANCES UNLESS OTHERWISE SPEC. ARE ± 0.5 mm.
 2. USABLE M. T. G. SCREW LENGTH (FROM SURF. OF CHASSIS): 3mm MAX



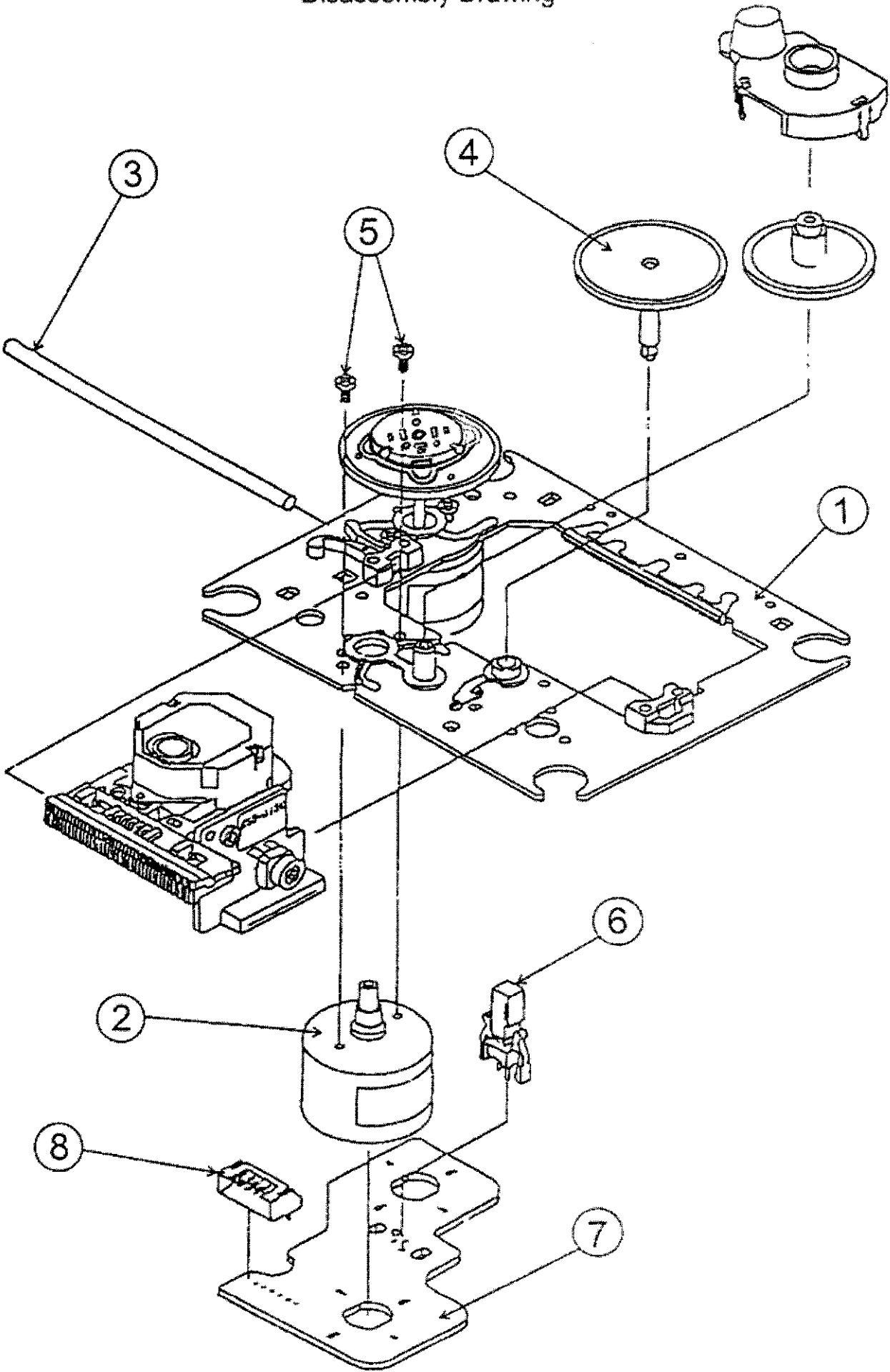
METHOD OF CEMENTING SCREW AZIMUTH AT CUSTOMER



PARTS NO.	MATERIAL	SPEC	FINISH	TENTATIVE
DSGD. FEB. 22. 2000 SCALE				
S. SUZUKI		1:1		CMAL122
CHKD.				TITLE
				OUTLINE
ZONE(SYMB)	DATE	APPD/CHKD/DSGD	UNIT	DOCUMENT NO.
			MM	

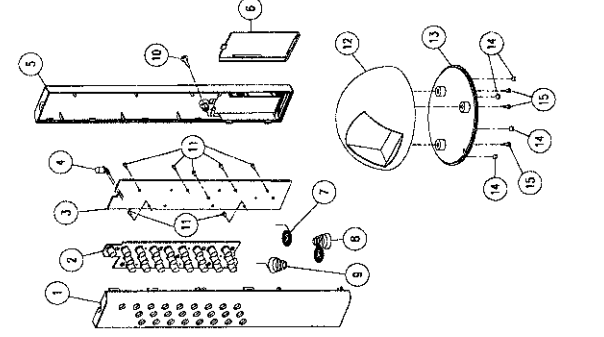
ALPS ELECTRIC CO., LTD.

KSM-213CJM
Disassembly Drawing

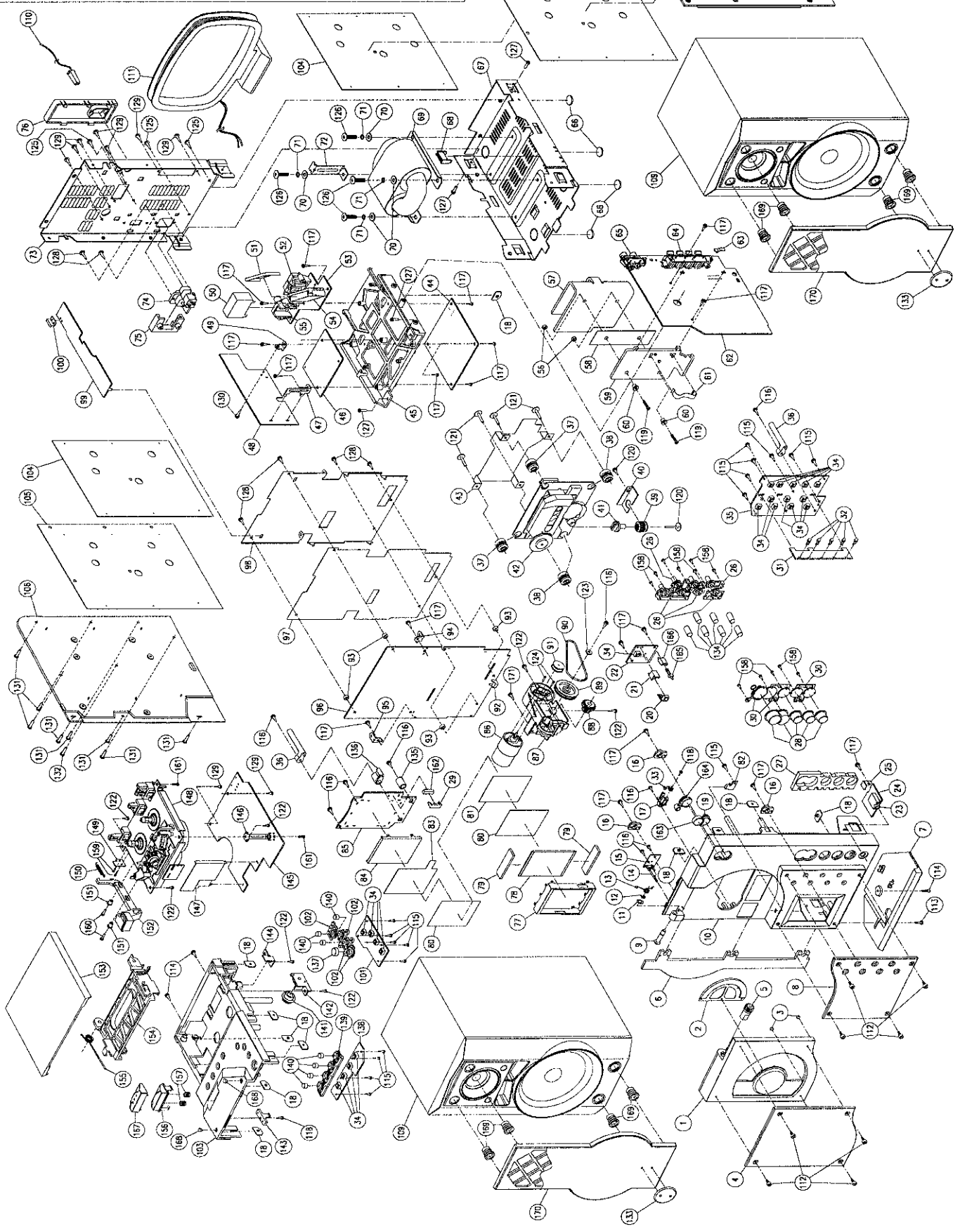


KSM-213CJM CD MECHANISM PART LIST

NO.	PART NO.	DESCRIPTION	QTY
1	213001	CHASSIS A'SSY(MB), TT	1
2	213002	GEAR A'SSY (MB), MOTOR	1
3	213003	SHAFT, SLED	1
4	213004	GEAR (A) 2-625-462-01	1
5	213005	SCREW + P2X3	1
6	213006	SWITCH, LEAF	1
7	213007	PC BOARD, MOTOR	1
8	213008	PIN, CONNECTOR 6P	1
	213009	SPRING, COMPRESSION	1
	213010	RING 9 (C), CENTER	1
	213011	PICK UP KSS-213 (S)	1



REMOTE UNIT



EXPLODED VIEW
 MODEL : AKAI QX-6
 DATE: 7 JAN 2002

NO.	DESCRIPTION	NO.	DESCRIPTION	NO.	DESCRIPTION	NO.	DESCRIPTION
1.	CD DOOR	91.	PULLEY	135.	SPACER - A	1.	FRONT CABINET
2.	CD DOOR REAR PLATE	92.	TACT SWITCH --- RESET	136.	SPACER - B	2.	KEY PAD
3.	RUBBER FOOT (CD DOOR)	93.	SPACER	137.	TOP PANEL KEY	3.	REMOTE PCB
4.	CD DOOR LENS	94.	MOUNTING BRACKET - A	138.	CASSETTE KEY PCB	4.	IR EMITTER
5.	GEAR - A	95.	MOUNTING BRACKET - B	139.	CASSETTE KEY ADAPTOR	5.	BOTTOM CABINET
6.	CD REAR LENS	96.	SERVO PCB	140.	CASSETTE FUNCTION KEY	6.	BATTERY DOOR
7.	UNIT STAND	97.	SHIELDING - ISOLATOR	141.	DAMPING GEAR	7.	BATTERY CONTACT '+'
8.	DISPLAY LENS	98.	SHIELDING - CD SERVO	142.	GEAR HOLDER	8.	BATTERY CONTACT - COMMON
9.	CD DOOR STUD	99.	SHIELDING - TOP	143.	MOUNTING HOOK	9.	BATTERY CONTACT '+'
10.	FRONT CABINET	100.	SHIELDING - MOUNTING	144.	DECK MOUNTING BRACKET	10.	2 X 10 ST/PA
11.	WASHER	101.	TOP KEY PCB	145.	CASSETTE PCB	11.	2 X 5 ST/PA
12.	E-RING	102.	TOP PANEL KEY ADAPTOR	146.	LONG MOUNTING BRACKET	12.	REMOTE STAND
13.	CD DOOR SPRING	103.	TOP PANEL	147.	DECK SHIELDING BRACKET	13.	REMOTE STAND BOTTOM
14.	LEAF SWITCH	104.	CARD	148.	CASSETTE MECHANISM	14.	RUBBER (REMOTE STAND)
15.	LEAF SWITCH PCB	105.	SHIELDING PAPER (LEFT SIDE PANEL)	149.	CASSETTE SPRING BRACKET	15.	3 X 8 ST/PA
16.	MOUNTING LENS BRACKET	106.	LEFT SIDE PANEL	150.	CASSETTE LOCK SPRING		
17.	LEAF SWITCH BRACKET	107.	SHIELDING PAPER (RIGHT SIDE PANEL)	151.	CASSETTE LOCK FIXING POST		
18.	SCREW PLATE	108.	RIGHT SIDE PANEL	152.	CASSETTE DOOR LOCK		
19.	REMOTE LENS	109.	SPEAKER BOX	153.	CASSETTE COVER		
20.	IR RECEIVER	110.	FM ANTENNA	154.	CASSETTE BRACKET		
21.	IR RECEIVER HOLDER	111.	MW ANTENNA	155.	CASSETTE DOOR SPRING		
22.	IR RECEIVER PCB	112.	3 X 8 ST/PA (NI)	156.	CASSETTE DOOR OPEN BUTTON		
23.	EARPHONE JACK		(HEX. SOCKET HEAD CAP)	157.	SPRING (OPEN BUTTON)		
24.	EARPHONE JACK PCB	113.	2.6 X 8 ST/KA	158.	2 X 6 ST/BA		
25.	MOUNTING BRACKET	114.	M3 X 8 KM	159.	M2.6 X 6 PM		
26.	KEY BUTTON ADAPTOR	115.	2 X 8 ST/BA	160.	M2.6 X 10 PM		
27.	LIGHT GUIDE	116.	2.6 X 8 ST/BA	161.	M3 X 5 BM		
28.	FUNCTION KEY	117.	3 X 10 ST/BA	162.	SILICON RUBBER		
29.	EL RUBBER HOLDER	118.	2.6 X 8 ST/PA	163.	STAND BY BUTTON		
30.	FUNCTION KEY BASE	119.	M3 X 12 BM	164.	STAND BY BUTTON BASE		
31.	BACKLIGHT PCB	120.	2.6 X 8 PWA	165.	LED (RED)		
32.	LED (AMBER)	121.	2.6 X 16 ST/PWB (CD SCREW)	166.	LED HOLDER		
33.	LEAF SWITCH	122.	3 X 8 ST/PWA	167.	CASS. DOOR OPEN BUTTON TOP		
34.	TACT SWITCH	123.	WASHER - O.D.8/I.D.3.2/T=1	168.	STUD		
35.	FUNCTION KEY PCB	124.	M2 X 6 BM	169.	RUBBER		
36.	LONG SPACER	125.	M3 X 8 PM	170.	SPEAKER GRILLE		
37.	CD CUSHION - GREY	126.	M4 X 8 BM	171.	3 X 6 ST/PWA		
38.	CD CUSHION - RED	127.	M3 X 8 BM				
39.	CD CUSHION - GREEN	128.	3 X 14 ST/PA				
40.	CD CUSHION BRACKET	129.	3 X 10 ST/PA				
41.	CD SUPPORTER	130.	M2.6 X 5 BM				
42.	CD MECHANISM	131.	M3 X 8 CM				
43.	CD COVER	132.	M3 X 8 CA				
44.	RECTIFIER PCB	133.	SPEAKER CHROMED PLATE				
45.	RADIO BRACKET	134.	KEY BUTTON				

LIST OF EXPLODED VIEW
MODEL : AKAI QX-61
DATE : 7 JAN 2002

MODEL NO.: 4120 RADIO/CASS RECORDER W/C D AM/FM
 BRAND NAME: AKAI QX-61

ITEM PART NO. DESCRIPTION/SPECIFICATION (名稱/規格)

ITEM	PART NO.	DESCRIPTION/SPECIFICATION (名稱/規格)	REFERENCE (位號)	QTY.: U/O
1	1-016-4118-01	CD MAIN PCB 4118-1-01-00 [CD板]	PCB	1
2	1-016-4118-02	CASS PCB 4118-1-02-00 [卡式板]	PCB	1
3	1-016-4118-03	POWER PCB 4118-1-03-00 [功放板]	PCB	1
4	1-016-4118-04	REMOTE CONTROL HANDSET PCB 4118-1-04-00 [遙控器板]	PCB	1
5	1-016-4118-05	TUNER PCB 4118-1-05-00 ; W/4118-1-10/15/16-00 [收音板]	PCB	1
6	1-016-4120-06	LCD DISPLAY PCB 4120-1-06-00 [顯示板]	PCB	1
7	1-016-4120-07	FUNCTION BOARD 4120-1-07-00 W/4120-1-08/09/12-00 [功能鍵板]	PCB	1
8	1-016-4118-11	RECTIFIER PCB 4118-1-11-00 [整流板]	PCB	1
9	1-016-4120-14	LEAF-SW-PCB 4120-1-14-00	PCB	1
10	2-101-643-10	NEC I.C. UPD16431AGC[LCD]	IC801	1
11	2-101-833-00	"SANYO" I.C. LA1833N [IF]	IC502	1
12	2-101-876-00	I.C. LM1876T[POWER]	IC201	1
13	2-101-924-00	"ROHM" I.C. BU1924F[RDS]	IC103	1
14	2-102-028-02	I.C. WP2K028-2 [CPU]	IC101	1
15	2-102-243-00	PTC I.C. PT2243[REMOTE]	IC1	1
16	2-102-308-00	PTC I.C. PT2308L-S	IC202	1
17	2-102-314-00	"PTC" I.C. PT2314[功能]	IC203	1
18	2-102-614-00	"ROHM" I.C. BU2614FS [鎖相環]	IC503	1
19	2-102-561-00	"SONY" I.C. CXA2581N[RF]	IC703	1
20	2-103-068-00	"SONY" I.C. CXD3068Q	IC701	1
21	2-103-126-00	"ROHM" I.C. BA3126N [前置]	IC401	1
22	2-104-558-00	"ROHM" I.C. BA4558N [輸入音頻]	IC205	1
23	2-105-970-00	"ROHM" I.C. BA5970FP [驅動]	IC702	1
24	2-107-130-00	I.C. SPCA713A[CD OUT]	IC704	1
25	2-107-809-00	I.C. SD78L09 [穩壓]	IC204	1
26	2-108-072-00	I.C. S-80820AL/ S-80720ALS	IC102	1
27	2-108-142-00	"TOSHIBA" I.C. TA8142AP [TAPE]	IC402	1
28	2-100-4118-01	ALPS TUNER FJ14E501A1214M71A [FM 高頻頭]	IC501	1
29	2-200-4119-05	ELECTRO LUMINESCENCE BLUE/GREEN [EL片] - 4119	EL	1
30	2-210-327-01	QUARI CRYSTAL 32.768 KHZ(D.2X6MM+/±20PPM) [石英]	X102	1
31	2-210-753-01	QUARI CRYSTAL 75 KHZ(D.3X8MM+/±20PPM) [石英]	X501	1
32	2-210-800-00	QUARI CRYSTAL 8 MHZ (49U) [石英]	X101	1
33	2-210-169-00	QUARI CRYSTAL 16.934MHZ (49U) [石英]	X701	1
34	2-210-433-02	QUARI CRYSTAL 4.332MHZ (49U/S) [石英]	X103	1

MODEL NO. : 4120 RADIO/ CASS RECORDER W/CD AM/FM
 BRAND NAME : AKAI QX-61

ITEM PART NO. DESCRIPTION/SPECIFICATION (名稱/規格)

ITEM PART NO.	DESCRIPTION/SPECIFICATION (名稱/規格)	REFERENCE (位號)	QTY. (位數)
35	2-300-277-00 LCD DISPLAY UTN-J277E-W 4118 [顯示板]		1
36	3-113-340-08 LED LAMP DIA.: 3MM 3G4SC-8 (GREEN) L=25MM [超光綠燈]-4119	LED801,805	5
37	3-113-204-02 LED LAMP DIA.: 2R4HD-2 RED [紅燈]	ST-BY LED	1
38	3-114-148-00 SWITCHING DIODE : IN4148 [二極管]	D2,3,102,104,106,107,201,203,205,210,401,402,501,701-705,710-712,716,717	29
39	3-114-001-00 RECTIFIER DIODE : IN4001 [整流管]	D101,103,1205-1208,713,714	8
40	3-115-401-00 RECTIFIER DIODE : IN5401ST1[整流管]	D1201-1204	4
41	3-115-056-05 ZENER DIODE : BXZ55C5V6ST 5.6V 0.5W [穩壓管]	ZD701	1
42	3-115-082-05 ZENER DIODE : BXZ55C6V2ST 8.2V 0.5W [穩壓管]	ZD201	1
43	3-115-520-01 INFRARED LED TSUS6200 D=5MM [遙控發射燈]	D1	1
44	3-115-838-01 SENSOR TSOP1838SS3V [遙控接收器]	RM1201	1
45	3-116-321-00 CARIABLE CAPACTIOR DIODE: SVC321-SPA [變容管]	TD501,502	2
46	3-118-308-01 VOLTAGE SELECTOR SWITCH HF-308 [127/220V 雙電壓開關]-沙地阿拉伯機用	FOR 115/230V	1
47	3-120-011-19 LEAF SWITCH : LSA-1119G [葉片開關]	CD DOOR	1
48	3-120-017-31 LEAF SWITCH : LF-1731 [葉片開關]	CD DOOR	1
49	3-201-075-80 COIL DIA.: 8MM x 7T5 x1.2MM (0.7UH) [線圈]	L205-206	2
50	3-212-030-00 FERRITE BEAD COIL 3T [磁珠]	L106,108,705,1001-1003	7
51	3-215-635-56 IFT 10MM (BLACK) 863556 "BIAS COIL" [偏磁周]	L401	1
52	3-215-582-87 AM COIL 10MM (BLACK) OA10-858287[黑周]	L502	1
53	3-215-554-54 IFT 10MM (BLACK) KD12-855454 [黑周]	LPF501,502	2
54	3-217-598-14 AM OSC COIL. 7MM (RED) OH07-859814 [紅周]	L501	1
55	3-217-414-93 AM IFT. 7MM (YELLOW) AH07-841493 [黃周]	T503	1
56	3-219-101-04 CHOKE COIL DIA.: 100 uH (D.4x5.5MM) [電感]	L101,103,702,703	4
57	3-219-201-42 CHOKE COIL DIA.: "CW45-101K 820142" 100 uH [電感]	L404,405	2
58	3-219-344-91 CHOKE COIL : CW57-102K 834491 1mH [電感]	L406	1
59	3-219-345-03 CHOKE COIL : CW57-103K 834503 10mH [電感]	L402,403	2
60	3-219-470-04 CHOKE COIL DIA.: 47 uH (D.4x5.5MM) [電感]	L701,704	2
61	3-219-201-04 CHOKE COIL DIA.: 200 uH (D.4x5.5MM) [電感]	L102,505	2
62	3-219-220-04 CHOKE COIL DIA.: 22 uH (D.4x5.5MM) [電感]	L504	1
63	3-219-302-62 EMI SUPPRESSORS : CB6A-250-830262 (2T) [電磁抑制器]	L211	1
64	3-219-505-08 EMI SUPPRESSORS :CB6A-300-850508 (3T) [電磁抑制器]	L201,202,207-210,407-410	10
65	3-219-656-50 TOROID COILS R0849-RID7-865650 (2.5T) [磁環線圈]	L203,204	2
66	3-219-501-06 CHOKE COIL DIA.: 500 uH (D.6x8MM) [電感]	L105	1
67	3-219-260-95 CHOKE COIL DIA.: 26 uHx2 R195 841626 [電感]	L706	1
68	3-221-107-15 CERAMIC FILTER SFE10.7MJA10-A RED DOT [FM濾波器]	CF502,504	2

MODEL NO. : 4120 RADIO/CASS RECORDER W/C D AM/FM
 BRAND NAME :AKAI QX-61

ITEM PART NO. DESCRIPTION/SPECIFICATION (名稱/規格)

69	3-221-107-17	DISCRIMINATOR CDA10.7MG86-A RED DOT [FM濾波器]
70	3-221-455-03	RESONATOR FILTER ZTB-455E [遙控濾波器]
71	3-221-450-03	MW IF FILTER SFZ-450HLS3 (2PCS DER ROW) [AM濾波器]
72	3-310-103-00	SEMI-FIXED RES 10KOHM [微調電阻]
73	3-316-035-22	STEREO JACK DIA.3.5MM ST-212 SW22D01 [耳插]
74	3-320-043-04	TACT SWITCH "EVQ JAC04M" HORIZONTAL TYPE [100g 接制]
75	3-320-638-03	TACT SWITCH SIDE TYPE :TSC-063803-150[接制]
76	3-402-772-00	" NEC " TRANSISTOR : 2SB772Q [三极管]
77	3-402-882-00	" NEC " TRANSISTOR : 2SD882Q [三极管]
78	3-408-050-03	"SAMSUNG" TRANSISTOR : S8050-C [三极管]
79	3-408-550-03	"SAMSUNG" TRANSISTOR : S8550-C [三极管]
80	3-409-012-02	"SAMSUNG" TRANSISTOR : S9012-H [三极管]
81	3-409-013-02	"SAMSUNG" TRANSISTOR : S9013-H [三极管]
82	3-409-014-03	"SAMSUNG" TRANSISTOR : S9014-C [三极管]
83	3-409-015-03	"SAMSUNG" TRANSISTOR : S9015-C [三极管]
84	3-409-018-04	"SAMSUNG" TRANSISTOR : S9018-F [三极管]
85	3-410-302-14	FERRITE RING : B18T 12.7 x 6.35 x 7.9MM [磁環]
86	3-410-4118-02	FERRITE RING : B29T 22.5 x 12 x 13.8MM [磁環]
87	3-410-4118-03	FERRITE RING : L3T 25 x 13 x 15MM [磁環]-VDE織皮用
88	3-410-4118-04	FERRITE RING : R1 T 15.2x 10 x 10.2MM [磁環]
89	3-415-300-07	TRIMMER CAP.30PF 7MM GREEN CVN-630 [微調電容]
90	3-415-100-10	TRIMMER CAP.10PF 10MM RED [微調電容]
91	3-510-512-01	M. FILM RESISTOR 1/8W +/-1% : 5.1 KOHM [五色環電阻]
92	3-510-563-01	M. FILM RESISTOR 1/8W +/-1% : 56 KOHM [五色環電阻]
93	3-510-564-01	M. FILM RESISTOR 1/8W +/-1% : 560KOHM [五色環電阻]
94	3-515-333-01	M. FILM RESISTOR 1/4W +/-1% : 33 KOHM [五色環電阻]
95	3-515-514-01	M. FILM RESISTOR 1/4W +/-1% : 510KOHM [五色環電阻]
96	3-515-685-01	M. FILM RESISTOR 1/4W +/-1% : 6.8 MOHM [五色環電阻]
97	3-520-101-01	CARBON FILM RESISTOR 1/8W +/-5% : 100 OHM
98	3-520-102-01	CARBON FILM RESISTOR 1/8W +/-5% : 1 KOHM
99	3-520-103-01	CARBON FILM RESISTOR 1/8W +/-5% : 10 KOHM
100	3-520-104-01	CARBON FILM RESISTOR 1/8W +/-5% : 100 KOHM
101	3-520-105-01	CARBON FILM RESISTOR 1/8W +/-5% : 1 MOHM
102	3-520-123-01	CARBON FILM RESISTOR 1/8W +/-5% : 12 KOHM

QTY.:

REFERENCE (位號)	U/Q
CF505	1
CF1	1
CF503	1
VR701	1
EJ201	1
S1-3,5,7-23	21
S101	1
Q201,413	2
Q210	1
Q401,707,708,713	4
Q107,109,215,414,702,705,706,710	8
Q104,204,402,403,421,504,507,701	8
Q1,103,110,207,217	5
Q105,106,108,111,156,202,203,205,206,212,216,221,222,404-412,415-418,502,503,508,704,708,711	33
Q101,419,420,505	4
Q501	1
FOR CN705,CN506, JACK WIRE	3
FOR CN108	2
FOR TRANSFORMER 初級線	1
FOR CN108,RADIO WIRE	2
VC101	1
VC501	1
R186,187	2
R112	1
R114	1
R228	1
R227	1
R226	1
R765-767,771	4
R104,105,719,722-725,728,741,764	10
R141,143,156,160,181,187,401,604,701,702,730,733,735,738,752,754,774,775,791,792,795	21
R139,161,163,168,196,606,710,753,793,794	10
R194,757,758	3
R153,169	2

MODEL NO. : 4120 RADIO/ CASS RECORDER W/C D AM/FM

BRAND NAME : AKAI QX-61

ITEM PART NO. DESCRIPTION/SPECIFICATION (名稱/規格)

103	3-520-124-01	CARBON FILM RESISTOR 1/8W +/-5% : 120KOHM
104	3-520-151-01	CARBON FILM RESISTOR 1/8W +/-5% : 150 OHM
105	3-520-153-01	CARBON FILM RESISTOR 1/8W +/-5% : 15 KOHM
106	3-520-154-01	CARBON FILM RESISTOR 1/8W +/-5% : 150KOHM
107	3-520-182-01	CARBON FILM RESISTOR 1/8W +/-5% : 1.8 KOHM
108	3-520-183-01	CARBON FILM RESISTOR 1/8W +/-5% : 18 KOHM -墨西哥機用
109	3-520-020-01	CARBON FILM RESISTOR 1/8W +/-5% : 2 OHM
110	3-520-022-01	CARBON FILM RESISTOR 1/8W +/-5% : 2.2 OHM
111	3-520-220-01	CARBON FILM RESISTOR 1/8W +/-5% : 22 OHM
112	3-520-222-01	CARBON FILM RESISTOR 1/8W +/-5% : 2.2 KOHM
113	3-520-223-01	CARBON FILM RESISTOR 1/8W +/-5% : 22 KOHM
114	3-520-224-01	CARBON FILM RESISTOR 1/8W +/-5% : 220KOHM
115	3-520-272-01	CARBON FILM RESISTOR 1/8W +/-5% : 2.7 KOHM
116	3-520-330-01	CARBON FILM RESISTOR 1/8W +/-5% : 33 OHM
117	3-520-332-01	CARBON FILM RESISTOR 1/8W +/-5% : 3.3 KOHM
118	3-520-333-01	CARBON FILM RESISTOR 1/8W +/-5% : 33 KOHM
119	3-520-393-01	CARBON FILM RESISTOR 1/8W +/-5% : 39 KOHM
120	3-520-470-01	CARBON FILM RESISTOR 1/8W +/-5% : 47 OHM
121	3-520-472-01	CARBON FILM RESISTOR 1/8W +/-5% : 4.7KOHM
122	3-520-473-01	CARBON FILM RESISTOR 1/8W +/-5% : 47 KOHM
123	3-520-474-01	CARBON FILM RESISTOR 1/8W +/-5% : 470KOHM
124	3-520-512-01	CARBON FILM RESISTOR 1/8W +/-5% : 5.1KOHM
125	3-520-560-01	CARBON FILM RESISTOR 1/8W +/-5% : 56 OHM
126	3-520-562-01	CARBON FILM RESISTOR 1/8W +/-5% : 5.6KOHM
127	3-520-564-01	CARBON FILM RESISTOR 1/8W +/-5% : 560KOHM
128	3-520-660-01	CARBON FILM RESISTOR 1/8W +/-5% : 68 OHM
129	3-520-681-01	CARBON FILM RESISTOR 1/8W +/-5% : 680 OHM
130	3-520-682-01	CARBON FILM RESISTOR 1/8W +/-5% : 6.8 KOHM -VDE機用
131	3-520-682-01	CARBON FILM RESISTOR 1/8W +/-5% : 6.8 KOHM -臺灣機用
132	3-520-683-01	CARBON FILM RESISTOR 1/8W +/-5% : 68 KOHM
133	3-520-752-01	CARBON FILM RESISTOR 1/8W +/-5% : 7.5 KOHM
134	3-520-821-01	CARBON FILM RESISTOR 1/8W +/-5% : 820 OHM -VDE機用
135	3-520-822-01	CARBON FILM RESISTOR 1/8W +/-5% : 8.2 KOHM
136	3-520-823-01	CARBON FILM RESISTOR 1/8W +/-5% : 82 KOHM

REFERENCE (位號)

R743	1
R101	1
R714,717	2
R711	1
R731,740	2
R151	1
R2	1
R155,158	2
R171,708	2
R162	1
R720	1
R167,734	2
R185	1
R103,707	2
R150,170,755,756	4
R742,744-748,751	7
R278	1
R154,770,779,780	4
R189,145-149,166	7
R15-117,120,128-134,137,140,142,144,152,157,164,165,712,732,749,750,781,785,788-790	30
R759	1
R602,603,605,709	4
R125	1
R182,190	2
R110	1
R192,718	2
R739	1
R111,183,184	3
R111,151,183,184	4
R736	1
R715,716	2
R151	1
R113,135,136,138,772,773	6
R105	1

QTY.:

U/O.

MODEL NO. : 4120 RADIO/CASS RECORDER W/C D AM/FM

BRAND NAME : AKAI QX-61

ITEM	PART NO.	DESCRIPTION/SPECIFICATION (名稱/規格)
137	3-520-824-01	CARBON FILM RESISTOR 1/8W +/-5% : 820 KOHM
138	3-521-330-01	CARBON FILM RESISTOR 1/2W +/-5% : 33 OHM
139	3-521-470-01	CARBON FILM RESISTOR 1/2W +/-5% : 47 OHM
140	3-521-560-01	CARBON FILM RESISTOR 1/2W +/-5% : 56 OHM
141	3-522-100-01	CARBON FILM RESISTOR 1/4W +/-5% : 10 OHM
142	3-522-101-01	CARBON FILM RESISTOR 1/4W +/-5% : 100 OHM
143	3-522-102-01	CARBON FILM RESISTOR 1/4W +/-5% : 1 KOHM
144	3-522-103-01	CARBON FILM RESISTOR 1/4W +/-5% : 10 KOHM
145	3-522-104-01	CARBON FILM RESISTOR 1/4W +/-5% : 100 KOHM
146	3-522-105-01	CARBON FILM RESISTOR 1/4W +/-5% : 1 MOHM
147	3-522-121-01	CARBON FILM RESISTOR 1/4W +/-5% : 120 OHM
148	3-522-123-01	CARBON FILM RESISTOR 1/4W +/-5% : 1.2 KOHM
149	3-522-122-01	CARBON FILM RESISTOR 1/4W +/-5% : 12 KOHM
150	3-522-151-01	CARBON FILM RESISTOR 1/4W +/-5% : 150 OHM
151	3-522-152-01	CARBON FILM RESISTOR 1/4W +/-5% : 1.5 KOHM
152	3-522-153-01	CARBON FILM RESISTOR 1/4W +/-5% : 15 KOHM
153	3-522-183-01	CARBON FILM RESISTOR 1/4W +/-5% : 18 KOHM
154	3-522-202-01	CARBON FILM RESISTOR 1/4W +/-5% : 2 KOHM
155	3-522-203-01	CARBON FILM RESISTOR 1/4W +/-5% : 20 KOHM
156	3-522-221-01	CARBON FILM RESISTOR 1/4W +/-5% : 220 OHM
157	3-522-222-01	CARBON FILM RESISTOR 1/4W +/-5% : 2.2 KOHM
158	3-522-223-01	CARBON FILM RESISTOR 1/4W +/-5% : 22 KOHM
159	3-522-224-01	CARBON FILM RESISTOR 1/4W +/-5% : 220 KOHM
160	3-522-242-01	CARBON FILM RESISTOR 1/4W +/-5% : 2.4 KOHM
161	3-522-270-01	CARBON FILM RESISTOR 1/4W +/-5% : 27 OHM
162	3-522-271-01	CARBON FILM RESISTOR 1/4W +/-5% : 270 OHM
163	3-522-272-01	CARBON FILM RESISTOR 1/4W +/-5% : 2.7 KOHM
164	3-522-273-01	CARBON FILM RESISTOR 1/4W +/-5% : 27 KOHM
165	3-522-274-01	CARBON FILM RESISTOR 1/4W +/-5% : 270 KOHM
166	3-522-302-01	CARBON FILM RESISTOR 1/4W +/-5% : 3 KOHM
167	3-522-330-01	CARBON FILM RESISTOR 1/4W +/-5% : 33 OHM
168	3-522-331-01	CARBON FILM RESISTOR 1/4W +/-5% : 330 OHM
169	3-522-332-01	CARBON FILM RESISTOR 1/4W +/-5% : 3.3 KOHM
170	3-522-333-01	CARBON FILM RESISTOR 1/4W +/-5% : 33 KOHM

RECERENCE (位號)

RECERENCE (位號)	QTY.
R259,261	2
R434	1
R471	1
R435	1
R206,209	2
R207,273,274,279,401,441,442	7
R215-218,265,266,524,533	8
R225,236,239,406,409,410,413-415,419,420,423-426,430,433,436,440,447-449,455,459-461,464,467,468,514,516,529	32
R223,224,251,235,252,264,299,450,451,502,513,528,530,532,817	15
R267,268	2
R407,408	2
R258,263,444,446,810	5
R402,404	2
R472,515,802,822	4
R276,281,811	3
R284,411,412	3
R229,248,249,269,296	5
R812	1
R816	1
R211,213	2
R286,403,405,421,422,439,417,418,519	9
R203,222,241,288,230,291,427,428,531,549	10
R503	1
R205,243,247,255-256,267,293	10
R546	1
R511,520,831	3
R237,238,465,466	4
R233,271,285,292,294,295,297,507,509,527,534	11
R275,280,522	3
R813	1
R289,298,475,829	4
R510,803,823	3
R501,512,517	3
R202,599	2

MODEL NO. : 4120 RADIO/ CASS RECORDER W/C D AM/FM

BRAND NAME :AKAI QX-61

ITEM PART NO. DESCRIPTION/SPECIFICATION (名稱/規格)

171	3-522-334-01	CARBON FILM RESISTOR 1/4W +/-5% : 330 KOHM
172	3-522-391-01	CARBON FILM RESISTOR 1/4W +/-5% : 390 OHM
173	3-522-392-01	CARBON FILM RESISTOR 1/4W +/-5% : 3.9 KOHM
174	3-522-393-01	CARBON FILM RESISTOR 1/4W +/-5% : 39 KOHM
175	3-522-047-01	CARBON FILM RESISTOR 1/4W +/-5% : 4.7 OHM
176	3-522-471-01	CARBON FILM RESISTOR 1/4W +/-5% : 470 OHM
177	3-522-472-01	CARBON FILM RESISTOR 1/4W +/-5% : 4.7KOHM
178	3-522-473-01	CARBON FILM RESISTOR 1/4W +/-5% : 47 KOHM
179	3-522-474-01	CARBON FILM RESISTOR 1/4W +/-5% : 470 KOHM
180	3-522-561-01	CARBON FILM RESISTOR 1/4W +/-5% : 560 OHM
181	3-522-562-01	CARBON FILM RESISTOR 1/4W +/-5% : 5.6KOHM
182	3-522-563-01	CARBON FILM RESISTOR 1/4W +/-5% : 56KOHM
183	3-522-564-01	CARBON FILM RESISTOR 1/4W +/-5% : 560KOHM
184	3-522-680-01	CARBON FILM RESISTOR 1/4W +/-5% : 68 OHM
185	3-522-681-01	CARBON FILM RESISTOR 1/4W +/-5% : 680 OHM
186	3-522-682-01	CARBON FILM RESISTOR 1/4W +/-5% : 6.8KOHM
187	3-522-683-01	CARBON FILM RESISTOR 1/4W +/-5% : 68KOHM
188	3-522-684-01	CARBON FILM RESISTOR 1/4W +/-5% : 680KOHM
189	3-522-751-01	CARBON FILM RESISTOR 1/4W +/-5% : 750 OHM
190	3-522-821-01	CARBON FILM RESISTOR 1/4W +/-5% : 820 OHM
191	3-522-822-01	CARBON FILM RESISTOR 1/4W +/-5% : 8.2KOHM
192	3-522-823-01	CARBON FILM RESISTOR 1/4W +/-5% : 82KOHM
193	3-624-203-04	CERAMIC CAP. : 0.02 uF [II Z5V Z 50V]
194	3-624-203-10	CERAMIC CAP. : 0.02 uF [III Z5V Z 100V]
195	3-625-050-02	CERAMIC CAP. : 5 PF [I NPO K]
196	3-625-100-02	CERAMIC CAP. : 10 PF [I NPO K]
197	3-624-150-00	CERAMIC CAP. : 15 PF [I NPO K]
198	3-624-200-00	CERAMIC CAP. : 20 PF [I NPO K]
199	3-624-220-00	CERAMIC CAP. : 22 PF [I NPO K]
200	3-625-101-02	CERAMIC CAP. : 100 PF [I SL K]
201	3-625-111-02	CERAMIC CAP. : 110 PF [I SL K]
202	3-625-102-02	CERAMIC CAP. : 0.001uF [II Y5P Z]
203	3-625-103-02	CERAMIC CAP. : 0.01uF [II Z5V Z 50V]

RECERENCE (位號)

R438,773,774	3
R804, 805, 824, 825	4
R210,221,542,544	4
R283	1
R204,208,437	3
R462	1
R277,282,429,506,508,526,801,814,821	9
R219,220,240,250,458,521,538,830	8
R254,257	2
R253,523,806,826	4
R260,262,270,272,463,476,504	7
R443,445,540	3
R452,454	2
R212,214,831,832	4
R242,518,525,431,432,807,827	7
R1,456,457,469,470,505	6
R537,541,550	3
R416	1
808,828	2
R809	1
R234,232,453,815	4
R201	1
C204,216,229,532,533,535,553,1215	8
C1201-1204,1208,1214,1216	7
C105	1
C549	1
C104,541	2
C106,107,548	3
C742,743	2
C2,3,755,756	4
C503	1
C1001,1002,212,213,225,290-293,276,281,299,536,701	14
C2001,2002,127,128,138,139,141,1205-1208,1210,234,239,241,278,295,428,440,502,505,506,509,527,530,534,542,551,552,704,711,728,736,744,763	34

QTY.:

U/Q.

MODEL NO. : 4120 RADIO/CASS RECORDER W/C D AM/FM
 BRAND NAME :AKAI QX-61
 ITEM PART NO. DESCRIPTION/SPECIFICATION (名稱/規格)

ITEM	PART NO.	DESCRIPTION/SPECIFICATION (名稱/規格)
204	3-625-104-01	CERAMIC CAP. : 0.1 uF [III] Y5V Z 50V D=6MM]
205	3-625-104-02	CERAMIC CAP. : 0.1 uF [III] Y5V Z 25V]
206	3-625-202-02	CERAMIC CAP. : 0.002 uF [II] Y5P Z]
207	3-625-203-02	CERAMIC CAP. : 0.02 uF [III] Y5V Z 50V]
208	3-625-221-02	CERAMIC CAP. : 220 PF [I] SL K]
209	3-625-300-02	CERAMIC CAP. : 30 PF [I] SL K]
210	3-625-331-02	CERAMIC CAP. : 330 PF [II] Y5E K]
211	3-625-332-02	CERAMIC CAP. : 0.0033uF [II] Z5V Z 50V]
212	3-625-333-02	CERAMIC CAP. : 0.033 uF [III] Y5V Z 50V]
213	3-625-403-02	CERAMIC CAP. : 0.04uF [III] Y5V Z 50V]
214	3-625-471-02	CERAMIC CAP. : 470 PF [II] Y5E K]
215	3-625-502-02	CERAMIC CAP. : 0.005uF [II] Z5V Z]
216	3-625-561-02	CERAMIC CAP. : 560 PF [II] Y5E K]
217	3-625-681-02	CERAMIC CAP. : 680 PF [II] Y5E K]
218	3-625-820-02	CERAMIC CAP. : 82 PF [I] SL K]
219	3-630-105-02	ELECTRO. CAPACITOR +/-20% : 1 uF/50V
220	3-630-106-02	ELECTRO. CAPACITOR +/-20% : 10 uF/25V
221	3-630-106-05	ELECTRO. CAPACITOR +/-20% : 10 uF/50V
222	3-630-107-02	ELECTRO. CAPACITOR +/-20% : 100 uF/10V
223	3-630-107-04	ELECTRO. CAPACITOR +/-20% : 100 uF/16V
224	3-630-108-35	ELECTRO. CAPACITOR +/-20% : 1000uF/35V
225	3-630-225-02	ELECTRO. CAPACITOR +/-20% : 2.2 uF/50V
226	3-630-226-02	ELECTRO. CAPACITOR +/-20% : 22 uF/10V
227	3-630-227-02	ELECTRO. CAPACITOR +/-20% : 220 uF/10V
228	3-630-227-04	ELECTRO. CAPACITOR +/-20% : 220 uF/16V
229	3-630-228-05	ELECTRO. CAPACITOR +/-20% : 2200uF/35V
230	3-630-336-35	ELECTRO. CAPACITOR +/-20% : 3300uF/35V
231	3-630-474-02	ELECTRO. CAPACITOR +/-20% : 0.47uF/50V
232	3-630-475-02	ELECTRO. CAPACITOR +/-20% : 4.7 uF/50V
233	3-630-476-02	ELECTRO. CAPACITOR +/-20% : 47 uF/10V
234	3-630-477-02	ELECTRO. CAPACITOR +/-20% : 470 uF/10V
235	3-630-477-04	ELECTRO. CAPACITOR +/-20% : 470 uF/16V
236	3-635-105-02	MINI SIZE E.CAP +/-20% : 1 uF/50V
237	3-635-106-02	MINI SIZE E.CAP +/-20% : 10 uF/25V

REFERENCE (位號)

U/Q	QTY.:
C285,296	2
C113,114,135,140,237,296-298,437,438,501,547,602,705,706,708,709,713,715,716,721,722,730,731,740,741,746,749,750,766-768	32
C1001,1002,537,538	4
C102,108,120,121,124,718	6
C247,248,250,251604,711,720,739	8
C540	1
C441-442	2
C734	1
C727,729	2
C289,511,740,771	4
C284,285,737	3
C545,758	2
C110	1
C426,439,525,723-726	7
C112,513	2
C137,236,252,258,259,403,404,415,416,418,516,519,521,524,526,528, C202,508,514,601	16
C125	4
C109,222,223,232,429,432,445,539,544,561,550,748	1
C283,433	12
C203,217	2
C111,207-210,226,254-257,270,274,275,279,280,414,420,421	18
C214,215,273,510	4
C131,221,228,233,277,531	6
C224,235	2
C1211	1
C1212,1213	2
C136,529	2
C205,206,261,434,444,507,546	7
C1,123,244,245,253,286,288,294,405-408,417,419,425,427	16
C103,122,413,764	4
C240,495	2
C236,246,424	3
C115,183,710,732,733,747	6

MODEL NO. : 4120 RADIO/CASS RECORDER W/C D AM/FM
 BRAND NAME : AKAI QX-61

ITEM PART NO. DESCRIPTION/SPECIFICATION (名稱/規格)

ITEM PART NO.	DESCRIPTION/SPECIFICATION (名稱/規格)	REFERENCE (位號)	QTY.: U/Q.
238	3-635-107-02 MINI SIZE E.CAP +/-20% : 100 uF/10V	C702	1
239	3-635-225-02 MINI SIZE E.CAP +/-20% : 2.2 uF/50V	C262,719	2
240	3-635-227-02 MINI SIZE E.CAP +/-20% : 220 uF/10V	C714	1
241	3-635-338-02 MINI SIZE E.CAP +/-20% : 33 uF/10V	C142,707	2
242	3-635-474-02 MINI SIZE E.CAP +/-20% : 0.47 uF/50V	C757	1
243	3-635-475-02 MINI SIZE E.CAP +/-20% : 4.7 uF/50V	C260,286,287,735,761,762	6
244	3-635-476-02 MINI SIZE E.CAP +/-20% : 47 uF/10V	C242,703,712,769	4
245	3-645-102-01 MYLAR CAPACITOR +/-10% 100V : 0.001uF	C413,422	2
246	3-645-103-01 MYLAR CAPACITOR +/-10% 100V : 0.01uF	C515,520	2
247	3-645-104-01 MYLAR CAPACITOR +/-10% 100V : 0.1uF	C263-265,267-269	6
248	3-645-152-01 MYLAR CAPACITOR +/-10% 100V : 0.0015 uF	C411,412	2
249	3-645-153-01 MYLAR CAPACITOR +/-10% 100V : 0.015 uF	C129,130,745	3
250	3-645-182-01 MYLAR CAPACITOR +/-10% 100V : 0.0018 uF	C401,402,518,523	4
251	3-645-183-01 MYLAR CAPACITOR +/-10% 100V : 0.018 uF	C409,410	2
252	3-645-222-01 MYLAR CAPACITOR +/-10% 100V : 0.0022uF	C430,751,752	3
253	3-645-224-01 MYLAR CAPACITOR +/-10% 100V : 0.22uF	C116,201,230,231,243,431	6
254	3-645-272-01 MYLAR CAPACITOR +/-10% 100V : 0.0027 uF	C271,272	2
255	3-645-393-01 MYLAR CAPACITOR +/-10% 100V : 0.039 uF	C443	1
256	3-645-472-01 MYLAR CAPACITOR +/-10% 100V : 0.0047 uF	C517,522	2
257	3-645-473-01 MYLAR CAPACITOR +/-10% 100V : 0.047 uF	C738	1
258	3-650-225-05 NON-POLARITY E.CAP +/-10% 2.2UF/50V [無極電容]	C543	1
259	3-650-109-02 "PANASONIC" GOLD CAP .0.10F/5.5V [充電電容]	BKC101	1
260	3-655-101-01 CERAMIC CHIP CAP. : 100 PF "11-TYPE 0603" [SAMSUNG]	C446-449	4
261	4-201-101-12 FLEXIBLE FLAT CABLE 12PINS L=50MM P=1.25MM [柔軟排線]	FCN404A TO CASS DECK	1
262	4-201-080-16 FLEXIBLE FLAT CABLE 16PINS L=80MM P=1.0MM [柔軟排線]	FOR CN701 TO CD 頭	1
263	4-201-276-01 UL 1007 J.W. #22 L=60MM BLACK W/S00-11-0 TERMINAL(1MM THINKNESS) [帶端子線仔] YDE機用	FOR SOLDER ON POWER TRANSFORMER CUPPER (GND) TO BOTTOM CABINET	1
264	4-201-250-01 UL 1007 J.W. #22 L=150MM BLACK W/S00-11-0 TERMINAL(1MM THINKNESS) [帶端子線仔]	FOR RADIO PCB GND TO BTOM CABINET	3
265	4-201-251-01 STV8-1H W/U/L 1007 J.W. #26 L=150MM GREY [FM 天線]	FOR FM ANT 501	1
266	4-201-252-05 S2M-5H W/U/L 1571 J.W. #28 [BRN/ RED/ ORA/ YEL/ GRE] L=350MM [帶插線仔]	FOR JACK PCB CN1001 TO AMP PCB CN208A	1
267	4-201-253-06 S2M-6Hx2 W/U/L 1571 J.W. #28 [BRO/ RED/ ORA/ YEL/ GRE/ BLU] L=160MM [帶雙插線仔]	FOR CD PCB CN702 TO CD MECH	1
268	4-201-254-04 S11-4H W/U/L 1007 J.W. #22 [RED/BLK/ORA/PINK] L=160MM [帶插線仔]	FOR AMP PCB CN209A TO REG PCB CN209B	1
269	4-201-255-05 S2M-5H W/U/L 1007 J.W. #28 [GRN/ BRN/ ORA/ RED/ BLK] L=280MM [帶插線仔]	FOR CD DOOR MOTOR TO MAIN PCB CN703	1
270	4-201-256-02 S11-2H W/U/L 1365 COAXIAL CABLE WIRE #30 [GND/WHT] L=140MM (BLACK) [帶插線仔]	FOR CN502 TO CN502A	1

MODEL NO.: 4120 RADIO/ CASS RECORDER W/CD AM/FM
 BRAND NAME: AKAI QX-61

ITEM PART NO. DESCRIPTION/SPECIFICATION (名稱/規格)

ITEM PART NO.	DESCRIPTION/SPECIFICATION (名稱/規格)	REFERENCE (位號)	QTY.: U/Q.
271	5-201-257-02 S2M-2H W/UL 1533 SHIELD WIRE #28 [WHT/GND] L=250MM (BLACK)[帶插單芯線]	FOR CN506 TO CN506A	1
272	4-201-258-03 S2M-3H W/UL 2547 2C #28 [RED/GND/ WHT] L=120MM (GREY) [帶插雙芯線]	FOR AMP PCB CN205 TO CASS PCB CN403	1
273	4-201-210-03 S2M-3H W/UL 2854 2C #28 [RED/GND/ WHT] L=180MM (GREY) [帶插雙芯線]	FOR AMP PCB CN203 TO CD PCB CN706	1
274	4-201-259-05 S2M-5H W/UL 1007 J.W. #26 [O/Y] & W/UL 2547 2C #28 [R/ GND/ W] L=100MM (GREY)[帶插線仔/雙芯線]	FOR CN 505A TO CN 505	1
275	4-201-260-04 S2M-4H W/UL 1007L1W #26 [YEL] & W/UL 2547 2C #28 [RED/ GND/ WHT] L=120MM (GREY) [帶插線仔/雙芯線]	FOR AMP PCB CN204 TO TUNER PCB CN603 ,CN402 TO CN202	2
276	4-201-265-06 S2M-6H W/UL 2854 5C #28 [R/ BLK/Y/ W/ GND/ GRE] L=70MM (BLK) [帶插五芯線]	FOR CASS PCB CN401A TO CASS MECH	1
277	4-201-266-02 S2M-2H W/PVC FLAT CABLE #28 L=400MM (GREY) [帶插排線]	FOR REG PCB CN1210 TO MAIN PCB CN110	1
278	4-201-267-03 S2M-3H W/PVC FLAT CABLE #26 L=80MM (GREY) [帶插排線]	FOR EMOTE PCB CN805 TO MAIN PCB CN111	1
279	4-201-140-03 S2M-3H W/PVC FLAT CABLE #26 L=150MM (GREY) [帶插排線]	FOR REMOTE PCB CN803A TO KEY PCB CN803B	1
280	4-201-269-04 S2M-4H W/PVC FLAT CABLE #26 L=70MM (GREY) [帶插排線]	FOR AMP PCB CN201 TO MAIN PCB CN104	1
281	4-201-131-07 S2M-7H W/PVC FLAT CABLE #26 L=120MM (GREY) [帶插排線]	FOR KEY PCB CN 801 TO MAIN PCB CN106	1
282	4-201-271-07 S2M-7H W/PVC FLAT CABLE #26 L=140MM (GREY) [帶插排線]	FOR DISPLAY PCB TO MAIN PCB CN109	1
283	4-201-272-09 S2M-9H W/PVC FLAT CABLE #26 L=80MM (GREY) [帶插排線]	FOR CN507A TO CN507	1
284	4-201-273-10 S2M-10H W/PVC FLAT CABLE #26 L=140MM (GREY) [帶插排線]	FOR MAIN PCB CN103 TO AMP PCB CN504	1
285	4-201-274-12 S2M-12H W/PVC FLAT CABLE #26 L=130MM (GREY) [帶插排線]	FOR AMP PCB CN207 TO MAIN PCB CN102	1
286	4-201-275-13 S2M-13H W/UL AWM 2651 FLAT CABLE #26 L=500MM (WHITE) [帶插UL排線]	FOR MAIN PCB CN108 TO CASS PCB CN405	1
287	4-213-900-00 COAXIAL CABLE 1365 #30 [WHT/GND] L=90MM BLACK [鐵兩線]	FOR FRONT END TO ANT SOCKET	1
288	4-222-141-01 JUMPER WIRE UL 1672 AWG #22 L=140MM BRON [棕色線仔] 沙地阿拉伯機用	FOR 127/220V SW	2
289	4-222-500-00 JUMPER WIRE UL 1007 AWG #22 L=50MM BLACK [黑色線仔]	FOR RADIO PCB GND	1
290	4-222-131-00 JUMPER WIRE UL 1007 AWG #22 L=130MM BLACK [黑色線仔]	FOR POWER PCB	1
291	4-226-500-00 JUMPER WIRE UL 1007 AWG #26 L=50MM BLACK [黑色線仔]	FOR REMOTE B-	1
292	4-226-500-09 JUMPER WIRE UL 1007 AWG #26 L=50MM WHITE [白線仔]	FOR CD PCB	1
293	4-226-900-00 JUMPER WIRE UL 1007 AWG #26 L=90MM BLACK [黑線仔]	FOR CD PCB	2
294	4-226-900-01 JUMPER WIRE UL 1007 AWG #26 L=90MM BROWN [棕色線仔]	FOR LIFT SW A TO LIFT SW B	1
295	4-226-221-00 JUMPER WIRE UL 1007 AWG #26 L=220MM BLACK [黑色線仔]	FOR LED6'-	1
296	4-226-181-02 JUMPER WIRE UL 1007 AWG #26 L=180MM RED [紅色線仔]	FOR REMOTE B+	1
297	4-226-201-03 JUMPER WIRE UL 1007 AWG #26 L=200MM ORANGE [橙色線仔]	FOR LED6'+	1
298	4-254-151-02 PVC FLAT CABLE #26 (3+150MM+3)X2PINS P=2.0MM [排線]	FOR CN508	1
299	4-255-600-02 PVC FLAT CABLE #26 (3+60MM+3)X2PINS P=2.0MM [排線]	FOR CN803A TO CN803B	1
300	4-255-500-03 PVC FLAT CABLE #26 (3+50MM+3)X3PINS P=2.0MM [排線]	FOR CN501A TO CN502	1
301	4-255-121-05 PVC FLAT CABLE #26 (3+120MM+3)X5PINS P=2.0MM [排線]	FOR CN802A TO CN802B	1

MODEL NO.: 4120 RADIO/CASS RECORDER W/C D AM/FM
 BRAND NAME: AKAI QX-61

ITEM	PART NO.	DESCRIPTION/SPECIFICATION (名稱/規格)	REFERENCE (位號)	QTY:
				U/Q.
302	4-261-020-02	S2M-2W WAFER 2PINS 2.0MM PITCH [2mm白插座]	CN110,506A	2
303	4-261-030-02	S2M-3W WAFER 3PINS 2.0MM PITCH [2mm白插座]	CN111,205,706	3
304	4-261-031-02	S2M-3WR WAFER 3PINS 2.0MM PITCH [2mm橫插座]	CN802B	1
305	4-261-040-02	S2M-4W WAFER 4PINS 2.0MM PITCH [2mm白插座]	CN202,104,503	3
306	4-261-050-02	S2M-5W WAFER 5PINS 2.0MM PITCH [2mm白插座]	CN209A,505,703	3
307	4-261-060-02	S2M-6W WAFER 6PINS 2.0MM PITCH [2mm白插座]	CN702	1
308	4-261-070-02	S2M-7W WAFER 7PINS 2.0MM PITCH [2mm白插座]	CN105,109	2
309	4-261-090-02	S2M-9W WAFER 9PINS 2.0MM PITCH [2mm白插座]	CN507	1
310	4-261-100-02	S2M-10W WAFER 10PINS 2.0MM PITCH [2mm白插座]	CN504	1
311	4-261-120-02	S2M-12W WAFER 12PINS 2.0MM PITCH [2mm白插座]	CN102	1
312	4-261-130-02	S2M-13W WAFER 13PINS 2.0MM PITCH [2mm白插座]	CN108	1
313	4-261-120-01	SEMC 12PINS SOCKET P=1.25MM [1mm白插座]	CN404A	1
314	4-261-160-01	SEMC 16PINS SOCKET P=1.0MM [1mm白插座]	CN701	1
315	4-261-020-25	S11-2W WAFER 2PINS 2.50MM PITCH [2.5mm白插座]	CN502A	1
316	4-261-040-25	S11-4W WAFER 4PINS 2.50MM PITCH [2.5mm白插座]	CN209B	1
317	4-530-4118-01	SPEAKER BOX 4118 [音箱] - GREY PT. G398	FOR R & L	2
318	4-535-087-21	RN-CORE TRANSFORMER (AH4.087.0021) : RN-50D (230V) : [火車]VDE 機用	---	1
319	4-535-087-26	RN-CORE TRANSFORMER (AH4.087.0026) : RN-50D (117V) : [火車]臺灣/墨西哥機用	---	1
320	4-535-087-33	RN-CORE TRANSFORMER (AH4.087.0033) : RN-50D (127/220V) : [火車]沙地阿拉伯機用	---	1
321	4-533-230-16	TRANS FOR MER EE-16 FOR EL DRIVER [EL 火車]	T101	1
322	4-542-213-01	CD MECHANISM "SONY" KSM-213CJM [CD机芯]	---	1
323	4-542-4118-02	DECK MECHANISM CMALIZ217B [卡式机芯]	---	1
324	4-545-4118-01	CD DOOR MOTOR RA250038-54701 DC12V [開CD 門么達]	---	1
325	5-162-300-00	EYELET DIA.: 2x3MM (BRONZE) [鑲眼]	FOR 頂鐵片	1
326	5-200-4119-01	REAR SIDE PLATE [背部鐵蓋]	---	1
327	5-200-4118-02	BOTTOM COVER (BIG) [底部鐵蓋]	---	1
328	5-200-4118-03	LONG MOUNTING BRACKET BRACKET 1.0MM THK GAD PLAT E [卡式板支架]	FOR CASS	1
329	5-200-4118-04	CD DOOR SPRING DIA.: D=0.5MM [CD門彈弓]	FOR CD門	1
330	5-200-4118-05	CARD - 0.4MM THK WHITE CARD [白咭紙]	FOR 左右蓋	2
331	5-200-4118-06	CONTACT PLATE 0.3MM THK TIN PLATED STEEL [接觸鐵片]	FOR POWER PCB	1
332	5-200-4118-07	SHIELDING - MOUNTING (0.3MM THK. TIN PLATE) [屏蔽架]	FOR 頂鐵片	1
333	5-200-4118-08	SHIELDING PAPER - RIGHT SILD PANEL (0.05MM THK ALUM. FOIL CARD) [薄鋁紙-右]	FOR 右蓋	1

MODEL NO.: 4120 RADIO/ CASS RECORDER W/CD AM/FM
 BRAND NAME :AKAI QX-61

ITEM PART NO. DESCRIPTION/SPECIFICATION (名稱/規格)

ITEM PART NO.	DESCRIPTION/SPECIFICATION (名稱/規格)	REFERENCE (位號)	QTY.: U/O
334	5-200-4118-09 SHIELDING PAPER - LEFT SILD PANEL (0.05MM THK ALUM. FOIL CARD) [薄錫紙-左]	FOR 左蓋	1
335	5-200-4118-10 SHIELDING - TOP .03MM THK TIN PLATE (0.3MM THK. TIN PLATE) [屏蔽片-頂]-4118	FOR 機頂邊	1
336	5-200-4118-11 CORE MOUNTING BRACKET 1.0MM THK GAD STEEL [磁環鐵架]	FOR 火牛架	1
337	5-200-4118-57 HEAT SINK(A) FOR POWER IC201 3.0MMTHK 4118-057 [散熱片]	FOR IC201	1
338	5-200-4118-58 HEAT SINK(B) FOR POWER IC201 3.0MMTHK 4118-058 [散熱片]	FOR IC201	1
339	5-200-4118-59 CASS DOOR SPRING D.1.2MM 411K8-059 [卡門彈弓]	FOR CASS DOOR	1
340	5-200-4118-60 DECK MOUNTING BRACKET 1.0MM THK 4118-060 [卡式支架-R]	FOR CASS DECK	1
341	5-200-4118-62 CASS LOCK SPRING 0.38MM WIRE 4118-062[卡式鎖彈弓]	FOR DECK	1
342	5-200-4118-63 EL HODER BRACKET 0.5MMTHK 4118-063 [LCD PCB 屏蔽罩]	FOR LCD PCB	1
343	5-200-4118-64 LCD DISPLAY BRACKET 0.5MM THK 4118-064 [顯示板支架]	FOR LCD PCB	1
344	5-200-4118-66 SOFFER DIM.: 57.8x44MM 0.5MMTHK 4118-066[柔和透光膠片]	FOR LCD 支架	1
345	5-200-4118-67 DIFUSER PLATE : 57.8x44MM 0.15MM THK FILM4118-067 [牛油紙]	FOR LCD	2
346	5-200-4118-71 CASS SPRING BRACKET 1.0MM THK 4118-071[卡式彈弓支架-L]	FOR DECK	1
347	5-200-4118-78 SCREW PLATE THK=1.0MM 4118-078 [螺絲片]	FOR 支架	10
348	5-200-4118-82 EL RUBBER HOLDER 0.5MM MILD STEEL4118-082 [EL 支架]	FOR LCD PCB	1
349	5-200-4118-83 DECK SHIELDING BRACKET 4118-083 [卡式鐵蓋]	FOR DECK	1
350	5-200-4119-02 CD DOOR STUD 4118 [CD 門軸]	FOR CD DOOR	1
351	5-200-4119-03 TUNER SHIELDING 0.3MM STEEL PLATE[收音屏蔽片]	FOR FM 高頻頭	1
352	5-200-4119-04 4119-INSULATOR 0.3MM THK [散熱絕緣紙]	FOR IC 201 散熱片	1
353	5-200-4119-05 CD DECK COVER 0.3MM THK BLACK PVC SHEET [CD 机芯膠蓋]	FOR CD DECK	1
354	5-200-4119-06 PCB MOUNTING BRACKET 1.1MM THK GAD STEEL[耳插板 支架]	FOR JACK PCB	1
355	5-200-4119-07 TUNER PCB BRACKET (A) 1.0MM THK GAD STEEL[選台板細 支架-A]	FOR RADIO PCB	1
356	5-200-4119-08 TUNER PCB BRACKET (B) 1.0MM THK GAD STEEL[選台板長 支架-B]	FOR RADIO PCB	1
357	5-200-4119-09 MOUNTING BRACKET-A 1.0MM THK GAD STEEL [CD PCB 支架-R]	FOR CD PCB	1
358	5-200-4119-10 MOUNTING BRACKET-B 1.0MM GAD STEEL[CD PCB 支架-L]	FOR CD PCB	1
359	5-200-4119-11 SPRING CLIP 0.4MM THK STEEL PLATE [彈嘴]	FOR IC201	1
360	5-200-4119-12 E-RING DIM.: M2.3 x 5.8 x 0.4MM	FOR CD DOOR STUD	1
361	5-200-4119-13 METAL WASHER DIA.: 5X8x1.0MM [鐵介子] "電鍍鍍"	FOR CD DOOR STUD	1
362	5-200-4119-14 GEAR BELT[毛達齒輪皮帶]	FOR CD DOOR MOTOR	1
363	5-200-4119-15 SHIELDING ANT SOCKET 0.3MM THK SINC PLATED STEEL [FM 插座屏蔽片]	FOR FM ANT SOCKET	1
364	5-200-4119-16 SHIELDING-CD SERVO 0.3MM THK SINC PLATED STEEL [CD 板屏蔽片]	FOR CD PCB	1
365	5-200-4119-17 CD CUSHION BRACKET 1.0MM THK GAD STEEL [防握膠 支架]	FOR CD DECK	1

MODEL NO.: 4120 RADIO/ CASS RECORDER W/CD AM/FM
 BRAND NAME: AKAI QX-61

ITEM PART NO. DESCRIPTION/SPECIFICATION (名稱規格)

366	5-200-4119-18	ISOLATOR-SHIELD 0.25MM THK BLACK PVC SHEET [絕緣片]
367	5-200-4119-21	METAL WASHER DIA.: 2.7x10x1.0MM [鐵介子]
368	5-200-2118-14	METAL WASHER DIA.: 4.2x10x1.0MM [鐵介子]
369	5-200-2118-15	SPRING WASHER M4.2 NICKEL PLATE [彈弓介子]
370	5-200-430-11	METAL WASHER DIA.: 3.2x10x1.0MM [鐵介子]
371	5-200-630-14	RUBBER CUSHION RED [紅色避振膠]
372	5-200-630-17	RUBBER CUSHION GREEN [綠色避振膠]
373	5-200-630-18	RUBBER CUSHION GREY [灰色避振膠]
374	5-200-508-02	FUSE CLIP DIA.: 5.0MM SILVER PLATE [保險絲碼]
375	5-200-630-20	LENS COVER [鏡蓋]
376	5-200-740-01	CASS DOOR KNOB SPRING 0.3MMX5.3MMX5T [SC740暫停鈕彈弓]
377	5-200-772-02	HEAT SINK FOR TR 2SB772Q (散熱片)
378	5-203-001-01A	BATTERY CONTACT SPRING (+) UM-3 RS-024 [電池彈弓-不鏽鋼線]
379	5-203-001-02A	BATTERY CONTACT SPRING (-) UM-3 [電池彈弓-不鏽鋼線]
380	5-203-001-03A	BATTERY CONTACT SPRING (++) UM-3 [電池彈弓-不鏽鋼線]
381	5-319-4118-02	BATTERY 2A UM-3 "HI-WAAT" [電池]
382	5-320-205-02	TAPPING SCREW: 2 x 5 BA/NI
383	5-320-208-02	TAPPING SCREW: 2 x 8 BA/NI
384	5-320-263-01	TAPPING SCREW: 2.3 x 8 PA/NI
385	5-320-268-01	TAPPING SCREW: 2.6 x 8 PA/NI
386	5-320-268-03	TAPPING SCREW: 2.6 x 8 BA/NI
387	5-320-261-01	TAPPING SCREW: 2.6 x 10 PA/NI
388	5-320-308-01	TAPPING SCREW: 3 x 8 PA/NI
389	5-320-310-01	TAPPING SCREW: 3 x 10 PA/NI
390	5-320-314-01	TAPPING SCREW: 3 x 14 PA/NI
391	5-321-268-06	TAPPING SCREW: 2.6 x 8 x 6 PWA/NI
392	5-321-268-08	TAPPING SCREW: 2.6 x 8 x 8 PWA/NI
393	5-321-308-07	TAPPING SCREW: 3 x 8 x 7 PWA/NI
394	5-322-268-01	TAPPING SCREW: 2.6 x 8 KA/NI
395	5-320-308-06	TAPPING SCREW: 3x8 HANI D=5.5MM [內六角圓杯狀螺絲]
396	5-331-206-01	MACHINE SCREW: 2 x 6 PM/NI
397	5-331-265-05	MACHINE SCREW: 2.6 x 5 CM/NI

QTY.:

U/Q.

REFERENCE (位號)

FOR CD SHIELD PLATE	1
FOR 阻尼輪	1
FOR 火牛	4
FOR 火牛	4
FOR CD RUBBER CUSHION	1
FOR CD MECH	2
FOR CD MECH	1
FOR CD MECH	2
FOR FUSE	6
FOR CD MECH	1
FOR CASS DOOR OPEN KNOB	2
FOR 772Q	2
FOR 搖控底殼	1
FOR 搖控底殼	1
FOR 搖控底殼	1
FOR REMOTE	2
FOR REMOTE PCB; KEY KNOB	14
FOR KEY KNOB; KEY-07/08/09; 顯示蓋	18
FOR 葉片開關板	2
FOR KEY PCB ;鎖卡門扣; METAL WASHER; 遙控座; IR PCB	16
FOR LCD PCB	2
FOR 駁柱遙控殼	4
FOR 卡式底板	3
FOR RADIO PCB ; JACK PCB ; CD版右邊架; 后機蓋; 點流板; 響樂架; 功放板	23
FOR AC SOCKET; CD PCB	6
FOR 葉片開關板	1
FOR GEAR BKT	1
FOR GEAR BKT; CASS DECK	7
FOR 底框	1
FOR 面鏡	8
FOR MOTOR GEAR BRACKET	2
FOR RADIO PCB 支架	1

MODEL NO.: 4120 RADIO/ CASS RECORDER W/CD AM/FM

BRAND NAME :AKAI QX-61

ITEM PART NO. DESCRIPTION/SPECIFICATION (名稱/規格)

398	5-331-268-01	MACHINE SCREW : 2.6 x 8 PM/NI
399	5-331-304-01	MACHINE SCREW : 3 x 4 PM/NI
400	5-331-308-01	MACHINE SCREW : 3 x 8 PM/NI
401	5-331-310-04	MACHINE SCREW : 3 x 10 PM/NI -沙地阿拉伯機用
402	5-331-312-01	MACHINE SCREW : 3 x 12 BM/NI
403	5-331-308-03	MACHINE SCREW : 3 x 8 KM/NI
404	5-331-308-03	MACHINE SCREW : 3 x 6 BM/NI
405	5-331-308-05	MACHINE SCREW : 3 x 8 BM/NI
406	5-331-408-01	MACHINE SCREW : 4 x 8 BM/NI
407	5-322-308-05	MACHINE SCREW : 3 x 8 CA/NI
408	5-331-308-07	MACHINE SCREW : 3 x 8 CM/NI
409	5-331-264-06	MACHINE SCREW : 2.6 x 4 TTPM [自攻螺絲彩鍍]
410	5-331-268-02	MACHINE SCREW : 2.6 x 8 TTPM [自攻螺絲彩鍍]
411	5-333-026-00	NUT M2.6 NICKEL PLATED (螺母)
412	5-333-030-00	NUT M3.0 NICKEL PLATE (螺母)-其他地區機用
413	5-333-030-00	NUT M3.0 NICKEL PLATE (螺母)-沙地阿拉伯機用
414	5-333-204-04	SELF TAPPING SCREW NO.2132 [CD 机芯螺絲]
415	5-400-107-02	SILICONE RUBBER 14.2x4.3x4MM [SR]膠粒
416	5-400-4118-68	ZEBRA CROSS 4118-068 44X8.5X2.4MM [斑馬條]
417	5-400-411-81	REMOTE RUBBER KEY 25KEY SW-02-3210B 4118 [導電膠鈕]
418	5-401-126-08	FIBER WASHER DIA.: 12x5.5x0.8MM [纖維介子]
419	5-420-040-00	NYLON CABLE TIE 4" (扎線)-其他地區機用
420	5-420-040-00	NYLON CABLE TIE 4" (扎線)-沙地阿拉伯機用
421	5-420-080-00	NYLON CABLE TIE 8" (扎線)
422	5-527-4119-01	BLACK FELT DIM.: 34 x 34 x 0.15MM [沙紙]
423	5-525-300-02	SPONGE RUBBER D/S DIM.: 30 x 20 x 2MM [回力膠]
424	5-525-155-05	SPONGE RUBBER D/S DIM.: 15 x 15 x 5MM [回力膠]
425	5-618-040-16	RUBBER FOOT DIM.: 4.0 x 1.6MM 3M BLACK [膠腳]
426	5-618-038-18A	RUBBER FOOT DIM.: 3.8 x 1.6MM 3M BLACK SJ-5916 [膠腳]
427	5-618-120-17	RUBBER FOOT DIM.: 12MM x 1.6MM 3M BLACK [膠腳]
428	5-700-125-05	FUSE 1.25A /250V [保險絲]

REFERENCE (位號)

FOR 7720 散熱片	2
FOR 卡式支架	2
FOR 鐵殼	4
FOR 127/220V SW	2
FOR 散熱片	2
FOR 頂殼, 底座	3
FOR 鐵殼	2
FOR CD PCB L&R 支架	2
FOR 火牛	4
FOR 左蓋, 右蓋	2
FOR 左蓋, 右蓋, 鐵殼	16
FOR CASS 支架	3
FOR CASS 支架	2
FOR 7720 散熱器	2
FOR I.C 散熱器	2
FOR I.C 散熱器 : 127/220V SW	4
FOR RUBBER CUSHION	4
FOR EL	1
FOR LCD	2
FOR REMOTE	1
FOR CD 避振膠	1
FOR JUMPER WIRE	10
FOR JUMPER WIRE	11
FOR OPEN CD DOOR MOTOR&火牛	2
FOR 底殼	1
FOR CASS 鐵蓋	1
FOR RADIO PCB, POWER PCB	2
FOR REMOTE 底座	4
FOR CD DOOR	2
FOR 底殼	4
FUSE01	1

MODEL NO. : 4120 RADIO/ CASS RECORDER W/CD AM/FM

BRAND NAME :AKAI QX-61

ITEM PART NO. DESCRIPTION/SPECIFICATION (名稱/規格)

ITEM PART NO.	DESCRIPTION/SPECIFICATION (名稱/規格)	REERENCE (位號)	QTY.
429	5-700-200-05 FUSE 50T2A/250V [保險絲]	FUSE02.03	2
430	5-130-223-02 2P SPEAKER TERMINAL PT-223-02 [MW 天線夾]	ANT502	1
431	5-113-423-01 4P SPEAKER TERMINAL PT-423-01 [音箱夾]	CN206	1
432	5-130-130-01 COAXIAL JACK PT-130A [FM 插座]	ANT501	1
433	5-130-214-04 2P RCA JACK BOARD R-W PT-214-04 [插座]	RCA01	1
434	5-116-060-25 AC SUPPLY CORD 6FT LONG"VDE"SET [電源線]-VDE機用	----	1
435	5-116-060-35 AC SUPPLY CORD 6FT LONG [K] SET [電源線]-韓國機用	----	1
436	5-116-060-45 AC SUPPLY CORD 6FT LONG "TAIWAN" SET KE-01/KE-04 [T] [電源線]-臺灣/ 墨西哥機用	----	1
437	5-116-060-02 AC SUPPLY CORD 6FT LONG BS SET GREY W/O PLUG-BS機用	----	1
438	5-121-828-09 "KDJ"NO.82813A BS1363 BLUSING[WHITE]-BS機用	FOR WHITE AC CORD WIRE	1
439	5-120-828-09 BS PLUG"KDJ"828/13A FUSE"BS1363/A"WHITE-BS機用	FOR COR D SET	1
440	5-118-270-00 AC SOCKET VDE APP' PSE27 [AC插座]- VDE用	----	1
441	5-118-270-10 AC SOCKET UL APP' PSU27-N-D-TYPE [AC插座]-臺灣/ 墨西哥機用	----	1
442	5-118-270-01 AC SOCKET COVER PSU27-CR-1 (UL) [AC插座蓋]	----	1
443	5-131-4118-01 AM LOOP ANTENNA 388-88 MOLD BLACK [AM天線]	FOR AM ANT	1
444	6-061-100-01 GIFT BOX FOR AKAI QX-61[彩盒]	----	1
445	6-061-200-01 INSTRUCTION MANUAL "AKAI QX-61" - English (英文)	----	1
446	6-061-200-02 INSTRUCTION MANUAL "AKAI QX-61" - Italian (意大利文)	----	1
447	7-4118-100-02 CAUTION LABEL (BLACK TEXT YELLOW BACK GRUNDIG) [警告貼紙]	----	1
448	7-309-300-00 "THERMAL FUSE FITTED"LABEL [火牛貼紙]-英國 "BS" 機用	----	1
449	7-061-100-01 SERIAL NO. LABEL NO.: 100001-1-UP [機碼貼紙]	----	1
450	7-061-300-02 RATING PLATE LABEL FOR AKAI QX-61- ENGLISH [后牌貼紙]	----	1
451	7-061-300-01 RATING PLATE LABEL FOR SP. BOX AKAI QX-61 [音箱貼紙]	----	2
452	7-061-300-04 VERSION CODE LABEL - E2 [E2貼紙]	----	1
453	7-061-300-03 "MADE IN P.R.C." LABEL - E2 [產地貼紙]	----	2
454	8-321-100-04 POLY BAG 02 x 10 x 4"(開口) W/RECYCLE MARK [膠袋]	----	1
455	8-321-120-04 POLY BAG 02 x 12 x 4"(開口) W/RECYCLE MARK [膠袋]	----	1
456	8-321-060-05 POLY BAG 02 x 6 x 5"(開口) W/RECYCLE MARK [膠袋]	----	1
457	8-321-100-07 POLY BAG 02 x 10 x 7"(開口) W/RECYCLE MARK [膠袋]	----	1
458	8-321-110-10 POLY BAG 02 x 11 x 10"(開口) W/RECYCLE MARK [膠袋]	----	1
459	8-321-190-16 POLY BAG 02 x 19 x 16"(開口) W/WARN/RECYCLE MARK [膠袋]	----	1
460	8-321-170-12 POLY BAG 02 x 17 x 12"(開口) W/WARN/RECYCLE MARK [膠袋]	----	2

MODEL NO.: 4120 RADIO/CASS RECORDER W/CD AMIFM

BRAND NAME :AKAI QX-61

ITEM PART NO. DESCRIPTION/SPECIFICATION (名稱/規格)

		<u>REFERENCE (位號)</u>	<u>QTY.</u>
			<u>U/Q</u>
492	51-1534C02	遙控面	1
493	52-1622C01	遙控底	1
494	53-1431C01	遙控電池	1
495	56-1826C99	元筒	1
496	56-1825C99	長柱	2
497	56-1861C99	元筒	1
498	56-1824C99	卡門鍍片介子	2
499	56-1816C01	卡門鍍片	1
500	56-1815C01	卡門牙座	1
501	56-1818C01	架	1
502	56-1827C99	阻力支架	1
503	56-1828C01	火牛	1
504	56-1917C99	PCB介子	4
505	56-1918C99	CD托架	1
506	56-1829C99	CD固定	2
507	56-1919C99	散熱片介子	2
508	56-1930C02	左	1
509	56-1931C02	右	1
510	56-1808C99	支架	1
511	56-1811C99	阻力牙A	1
512	56-1812C99	阻力牙B	1
513	56-1813C99	卡門牙	1
514	56-1814C99	阻力牙C	1
515	56-1916C99	滑輪	1
516	56-1821C99	AC架	1
517	56-1822C99	開關支架	1
518	56-1823C99	卡門扣	1
519	56-1943C01	CD門后牌	1
520	56-1935C99	CD門托架	1
521	56-1936C99	IR架	1
522	56-1937C99	LED架	1

ODEL NO. : 4120 RADIO/ CASS RECORDER W/CD AM/FM

RAND NAME :AKAI QX-61

EM PART NO. DESCRIPTION/SPECIFICATION (名稱/規格)

23	54-1399C01	功能鈕
24	54-1400C01	卡式功能鈕A
25	54-1401C01	卡式功能鈕B
26	54-1402C01	卡式功能鈕C
27	54-1403C01	CD門開關鈕
28	56-1933C02	銘牌
29	54-1349C01	裝飾飲鈕

QTY.:

U/Q.

1
1
1
1
1
2
2

REFERENCE (位置)

