

# ALESIS ANDROMEDA (A6)

## SCHEMATIC FILES PCB FILES

6

5

4

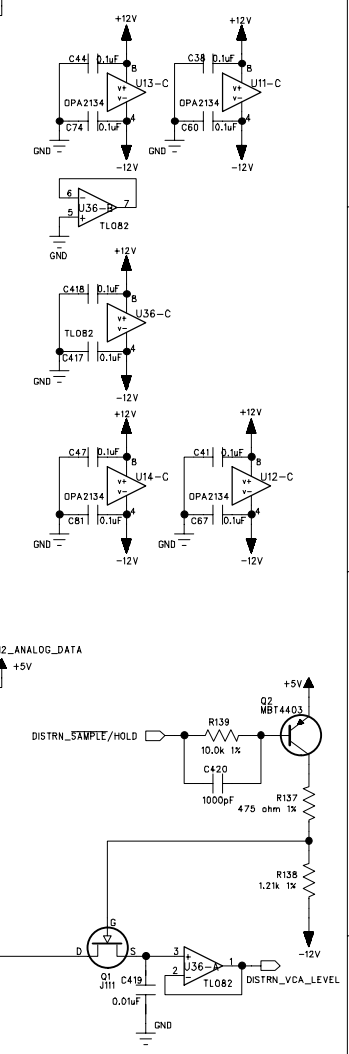
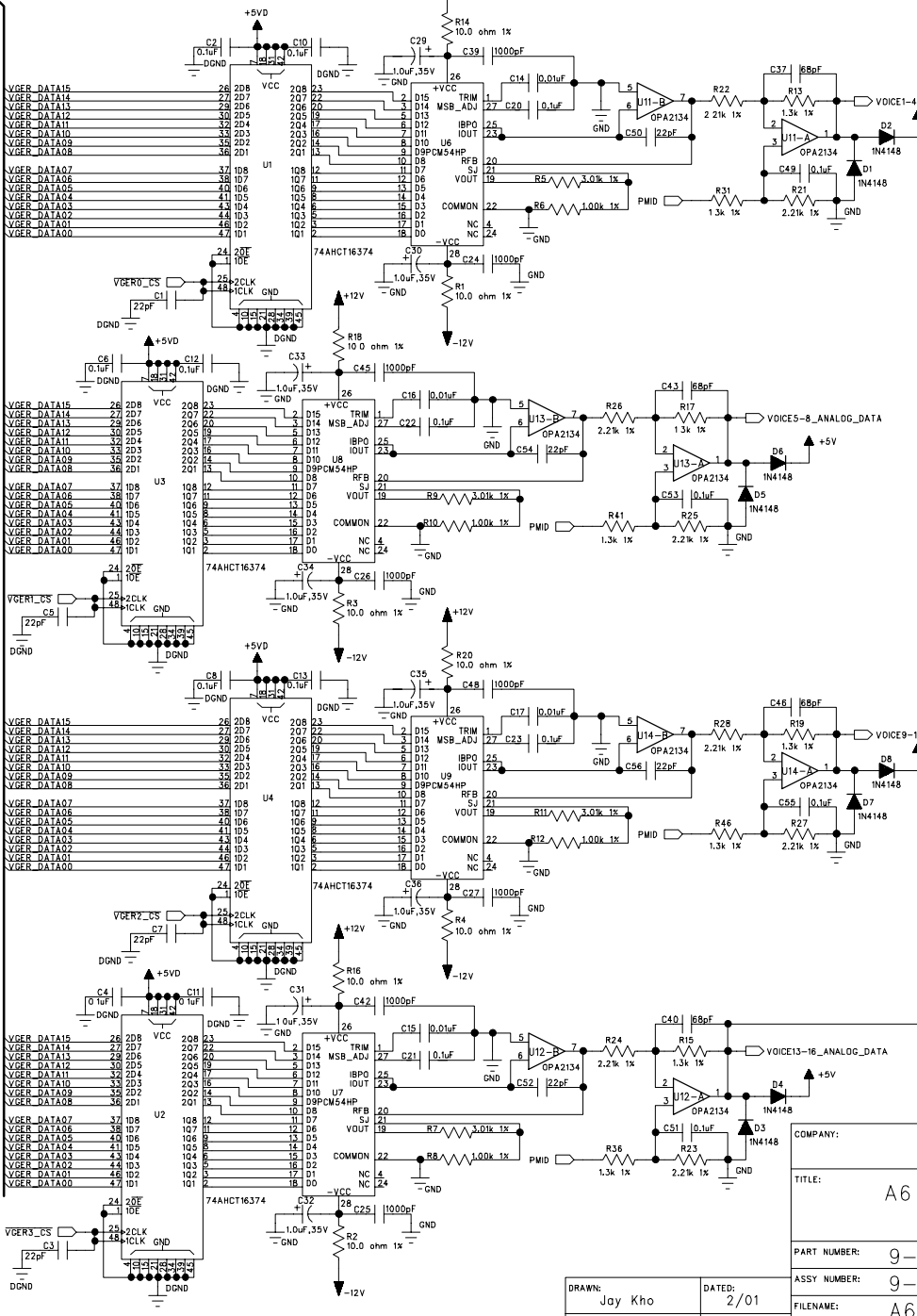
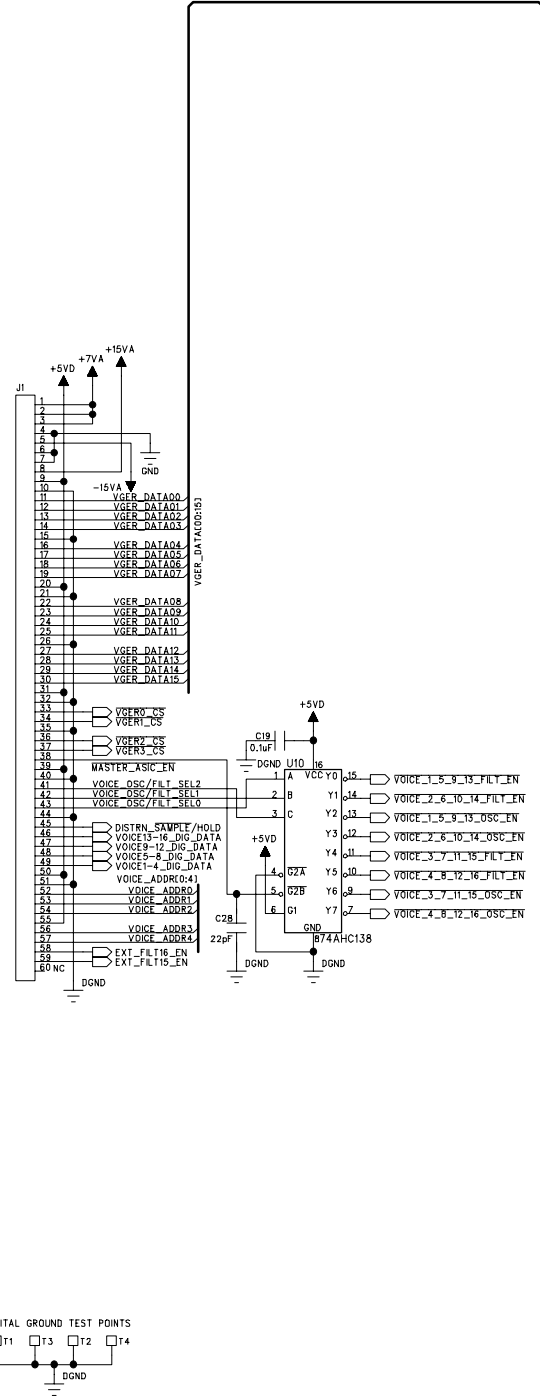
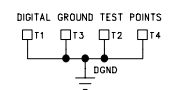
3

2

1

| REVISION RECORD |         |           |       |
|-----------------|---------|-----------|-------|
| LTR             | ECC NO: | APPROVED: | DATE: |
|                 |         |           |       |
|                 |         |           |       |
|                 |         |           |       |

TO A6 DIG MAIN PCB



COMPANY: ALESIS

TITLE: A6 ANALOG ASIC PCB  
VGER

PART NUMBER: 9-40-0210-C

ASSY NUMBER: 9-79-0210

FILENAME: A6AAC06A.SCH

SCALE: SHEET 1 OF 6

DRAWN: Jay Kho  
RELEASED:      DATED: 2/01

REV: C  
SIZE: C

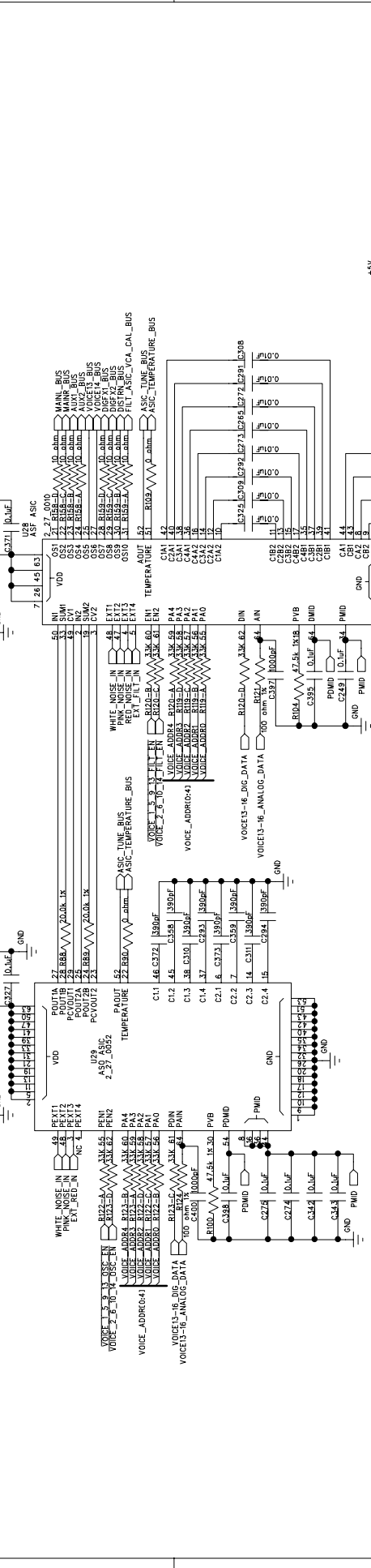




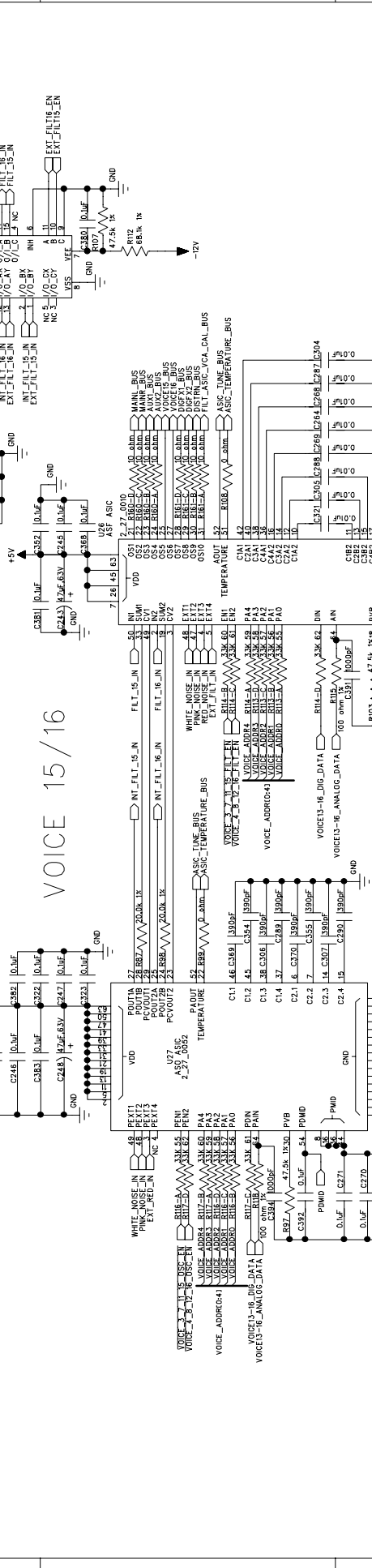


|                 |         |           |       |   |  |   |  |   |  |   |  |
|-----------------|---------|-----------|-------|---|--|---|--|---|--|---|--|
| 6               |         | 5         |       | 4 |  | 3 |  | 2 |  | 1 |  |
| REVISION RECORD |         |           |       |   |  |   |  |   |  |   |  |
| LTR             | ECD NO: | APPROVED: | DATE: |   |  |   |  |   |  |   |  |
|                 |         |           |       |   |  |   |  |   |  |   |  |

# VOICE 13/14

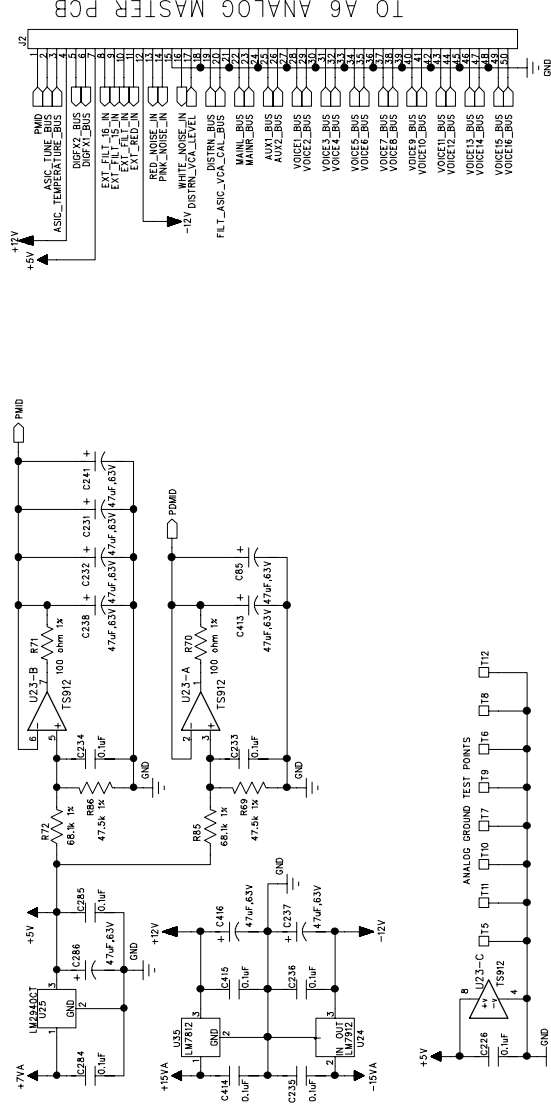


# VOICE 15/16

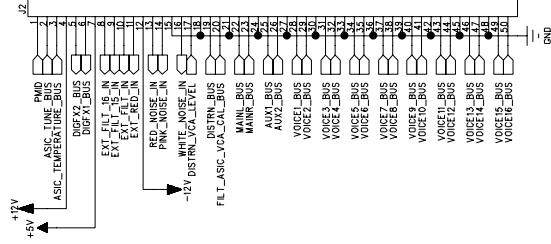


|  |  |                 |  |                        |  |               |  |
|--|--|-----------------|--|------------------------|--|---------------|--|
| D                                      |  | C               |  | B                      |  | A             |  |
| COMPANY: ALESIS                        |  |                 |  |                        |  |               |  |
| TITLE: A6 ANALOG ASIC PCB VOICES 13-16 |  |                 |  |                        |  |               |  |
| PART NUMBER: 9-40-0210-C               |  | REV/C:          |  | ASSY NUMBER: 9-79-0210 |  | SIZE: C       |  |
| FILENAME: A6AAC06A.SCH                 |  | DRAWN: Joy Kito |  | DATED: 2/01            |  | SCALE: 5 OF 6 |  |
| RELEASED:                              |  | DATED:          |  | SCALE:                 |  | SHEET: 5 OF 6 |  |

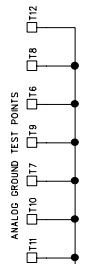
| REVISION RECORD |       |
|-----------------|-------|
| LTR             | DATE: |
|                 |       |
|                 |       |
|                 |       |
|                 |       |
|                 |       |



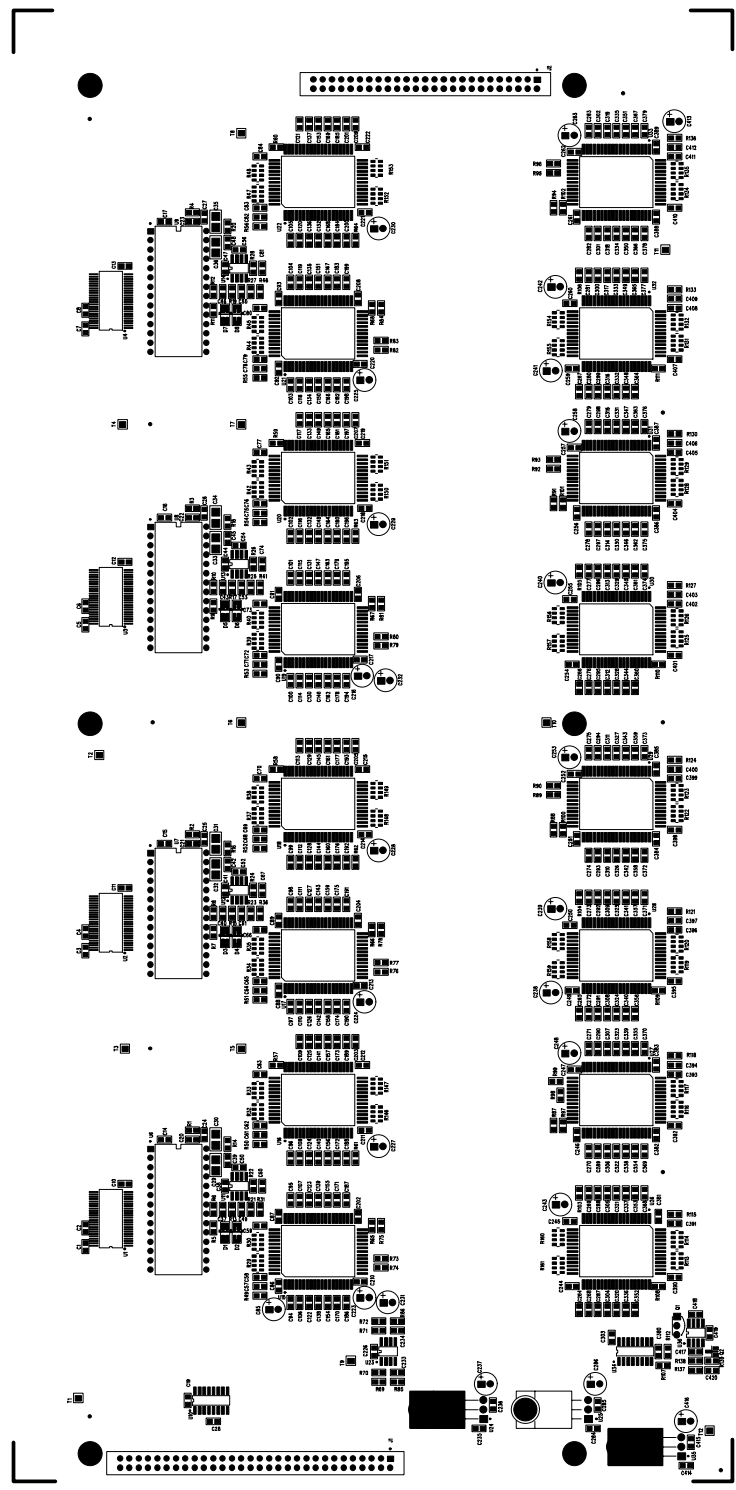
TO A6 ANALOG MASTER PCB



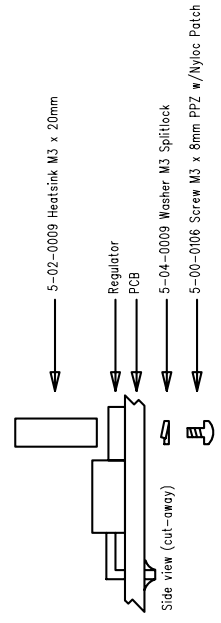
|              |             |                                     |              |
|--------------|-------------|-------------------------------------|--------------|
| COMPANY:     |             | ALESIS                              |              |
| TITLE:       |             | A6 ANALOG ASIC PCB<br>MISCELLANEOUS |              |
| PART NUMBER: | 9-40-0210-C | REV/C:                              |              |
| ASSY NUMBER: | 9-79-0210   | FILENAME:                           | A6AAC06A.SCH |
| DATE:        | 2/01        | SCALE:                              | 6 OF 6       |
| DRAWN:       | Joy Kito    | SHEET:                              | 6 OF 6       |
| RELEASED:    |             |                                     |              |



ALESIS 9-40-0210-C "TOPASSY"



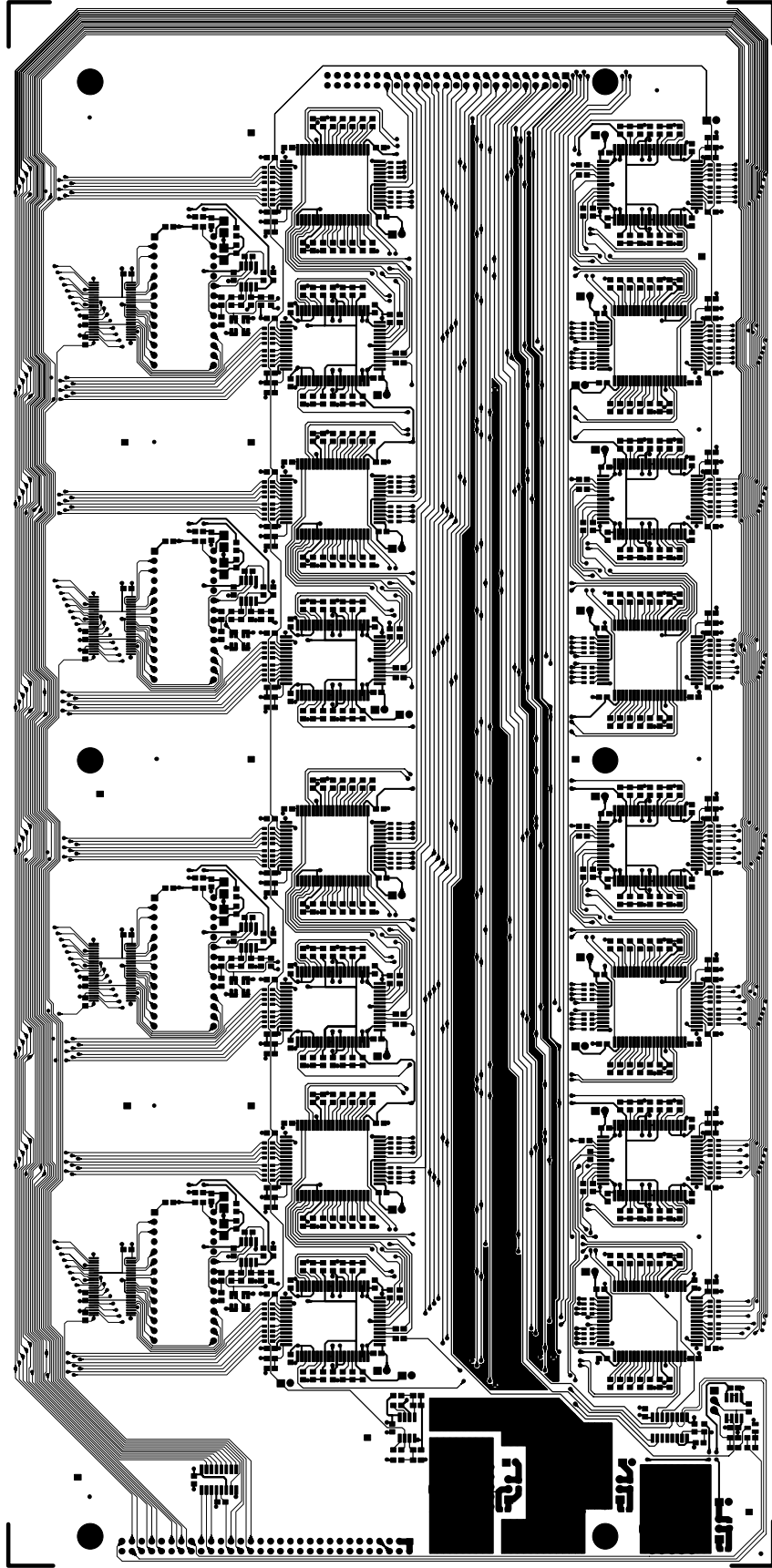
Mounting Instructions for U24, U25, and U35  
(to be assembled before soldering).





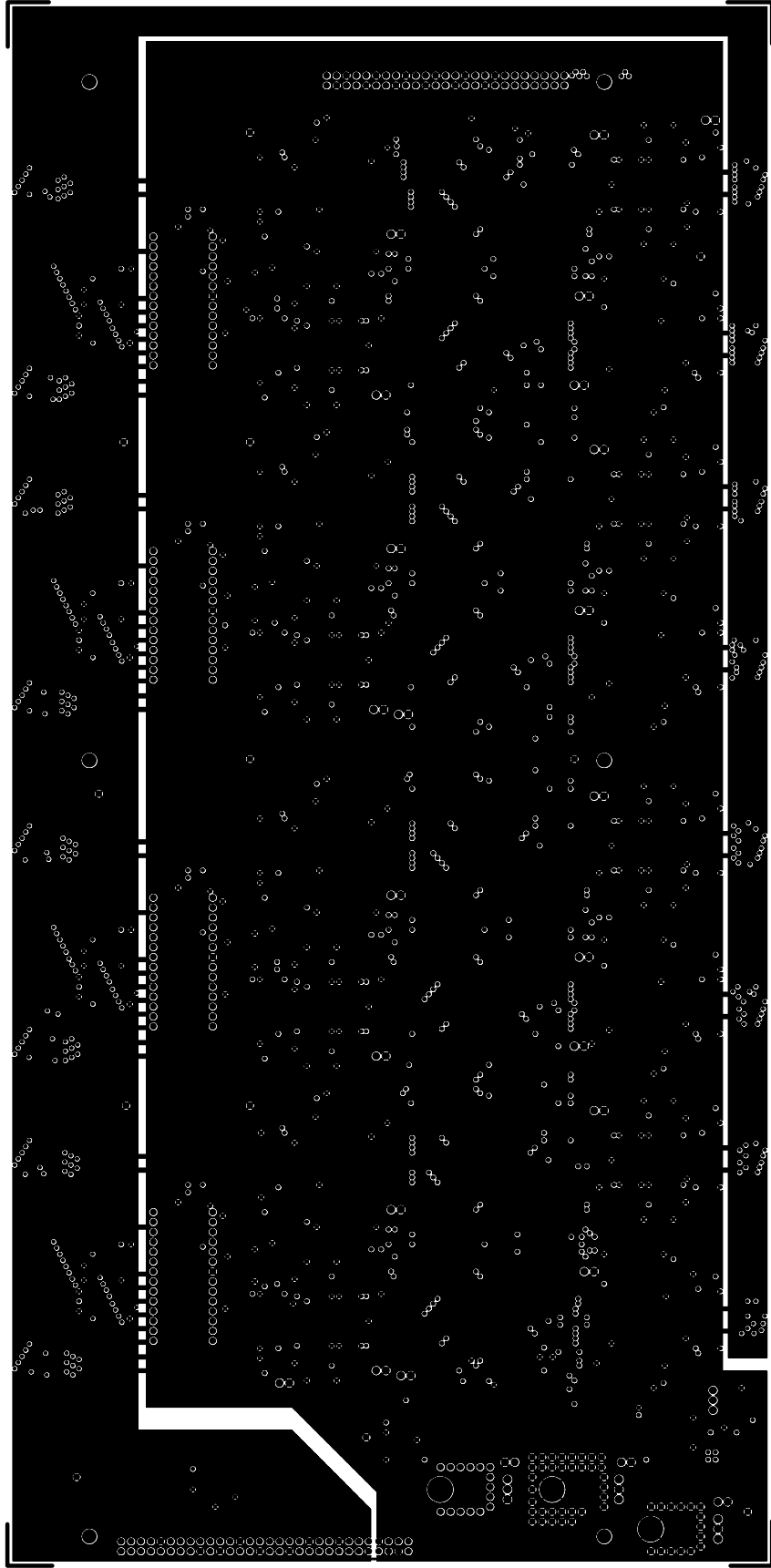


ALESIS 9-40-0210-C "TOPTRACE"



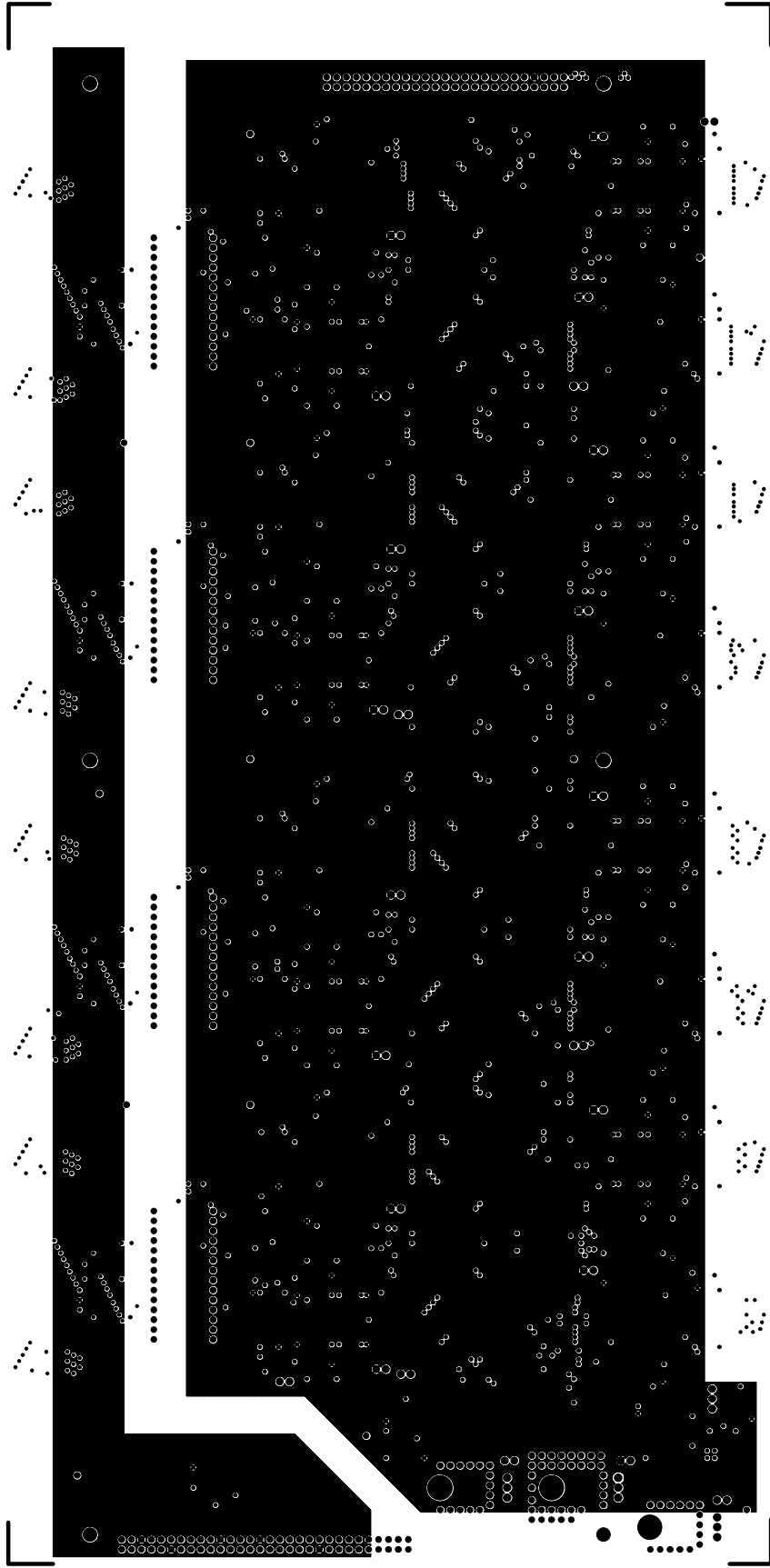


ALESIS 9-40-0210-C "GNDFLANE LAYER 2"



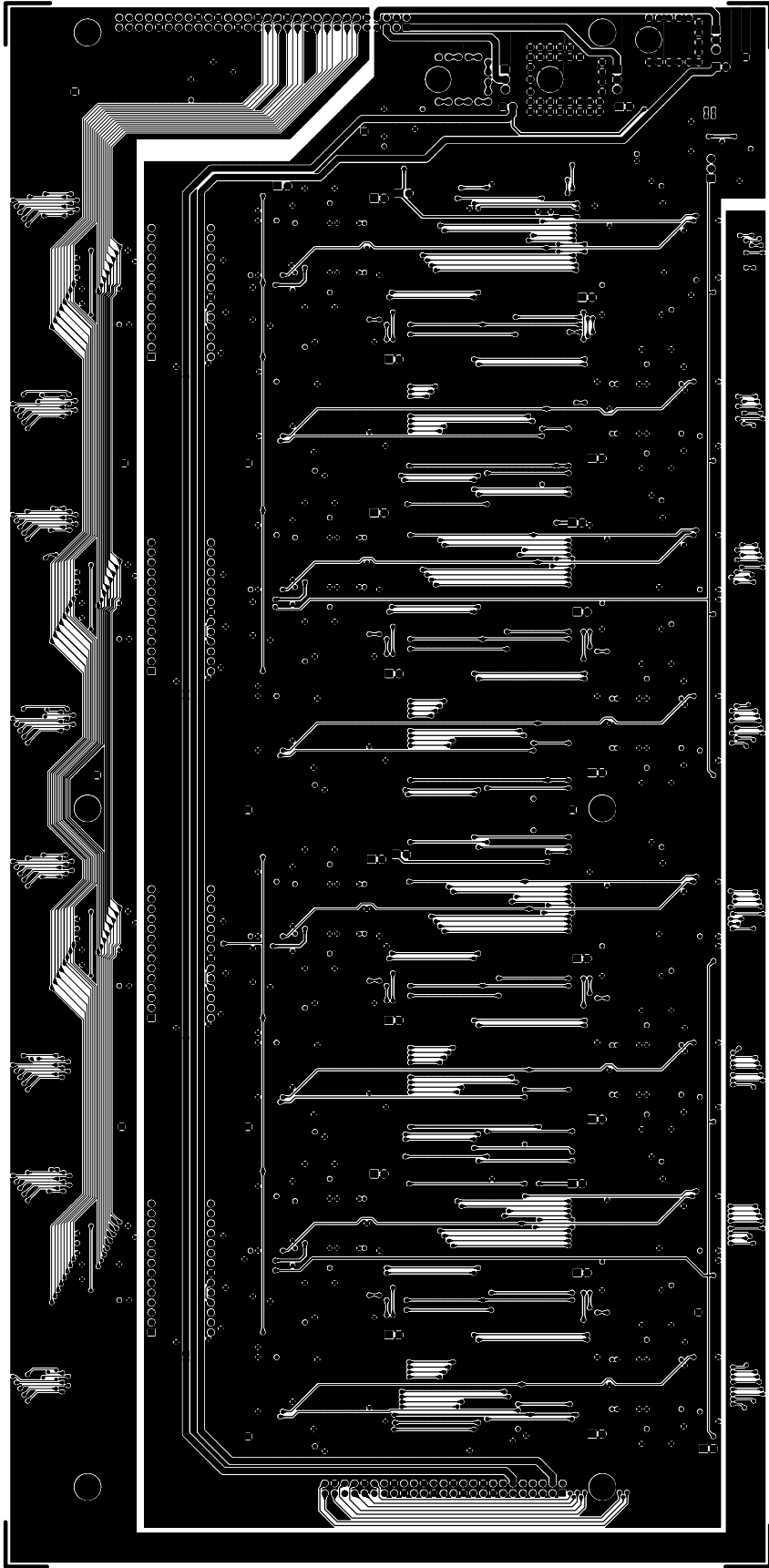


ALESIS 9-40-0210-C "PWRPLANE LAYER 3"





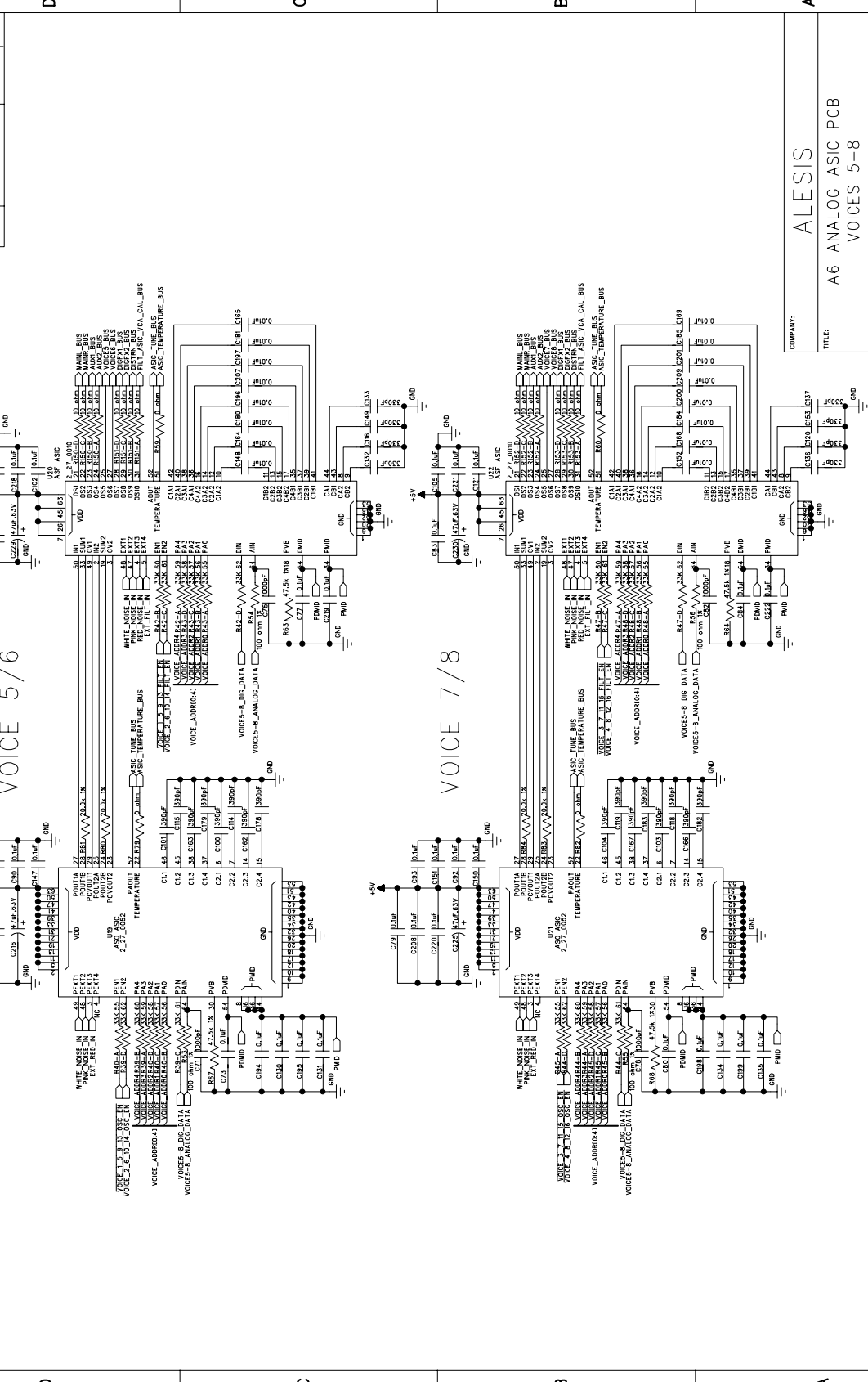
ALESIS 9-40-0210-C "BOTTRACE"



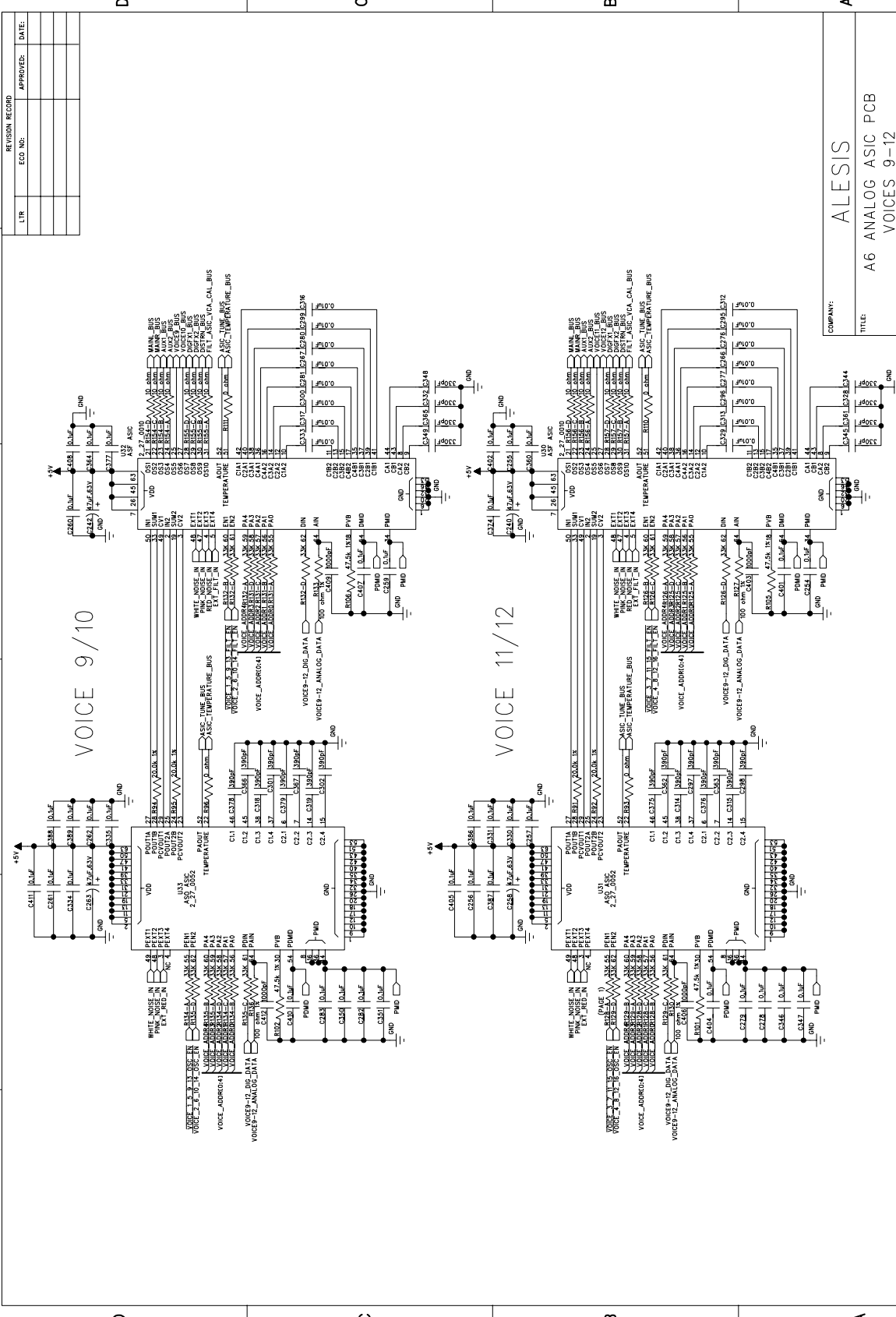




| REVISION RECORD |      |
|-----------------|------|
| LTR             | DATE |
|                 |      |
|                 |      |
|                 |      |
|                 |      |
|                 |      |
|                 |      |
|                 |      |
|                 |      |



|                           |                         |
|---------------------------|-------------------------|
| COMPANY: ALESIS           |                         |
| TITLE: A6 ANALOG ASIC PCB |                         |
| PART NUMBER: 9-40-0210-D  |                         |
| DATE: 6/7/01              | REVISED: 8/9/01         |
| DRAWN: JOY KTO            | FILENAME: A6AADD01A.SCH |
| RELEASED:                 | SCALE: 3 OF 6           |



| REVISION RECORD |      |
|-----------------|------|
| LTR             | DATE |
|                 |      |
|                 |      |
|                 |      |
|                 |      |
|                 |      |

|                           |               |
|---------------------------|---------------|
| COMPANY: ALESIS           |               |
| TITLE: A6 ANALOG ASIC PCB |               |
| PART NUMBER: 9-40-0210-D  |               |
| ASST NUMBER: 9-79-0210    | REVSD         |
| FILENAME: A6AADD01A.SCH   | SEC: D        |
| SCALE:                    | SHEET: 4 OF 6 |

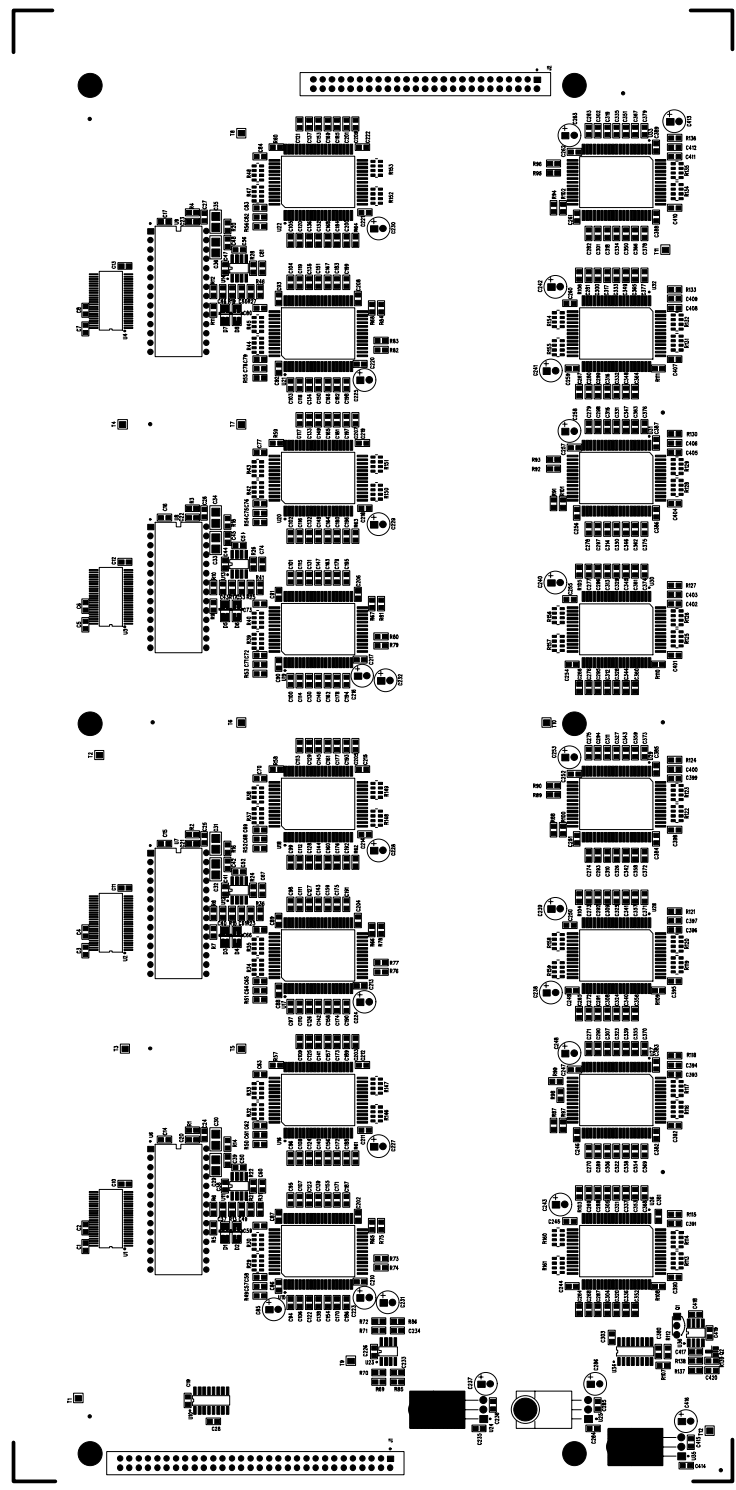
|                 |            |
|-----------------|------------|
| DRAWN: Joy Kiro | DATE: 6/01 |
| RELEASED:       | DATE:      |







ALESIS 9-40-0210-D "TOPASSY"



Mounting Instructions for U24, U25, and U35  
 (to be assembled before soldering).

