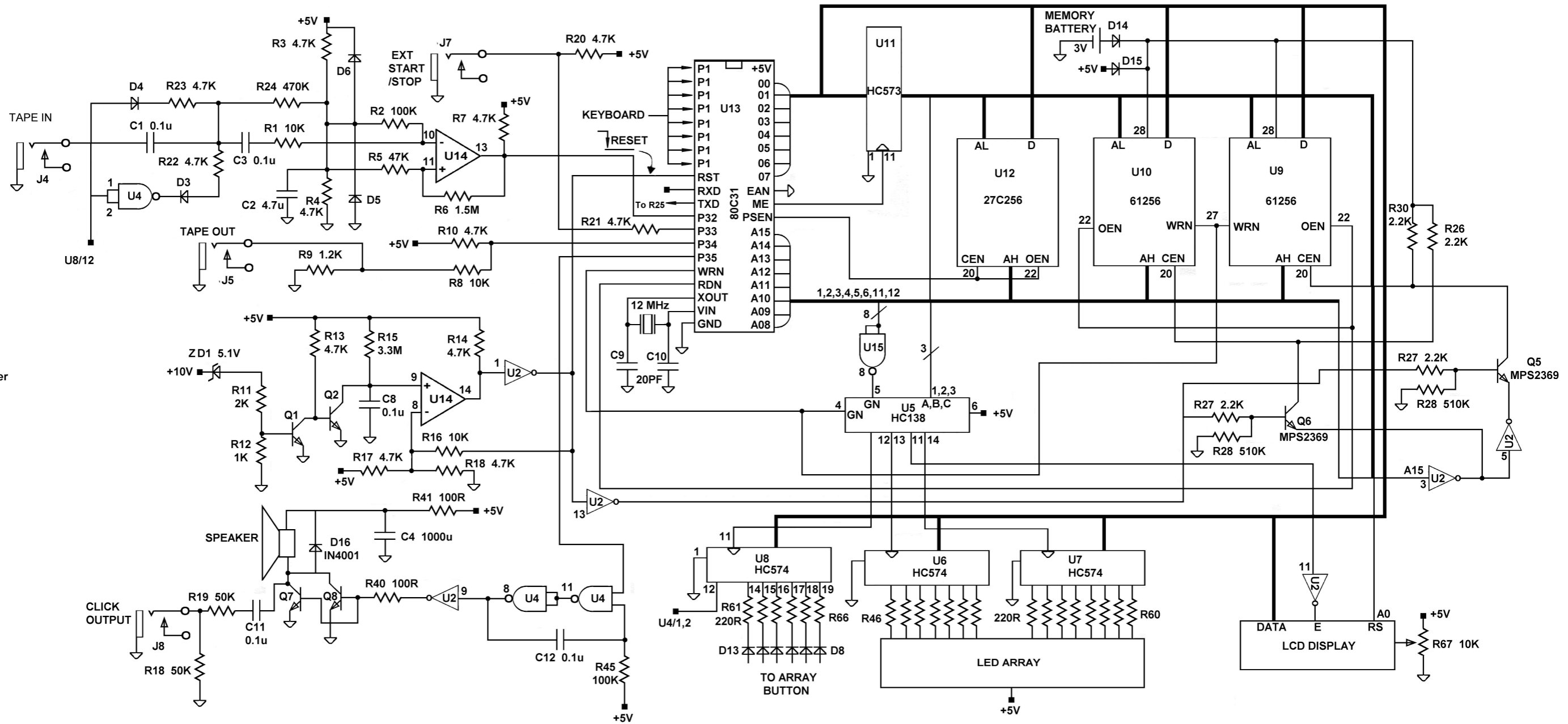
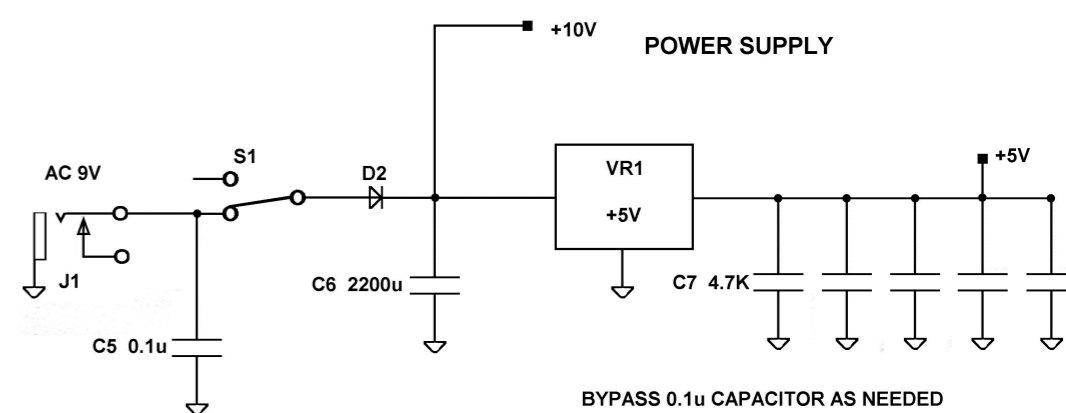
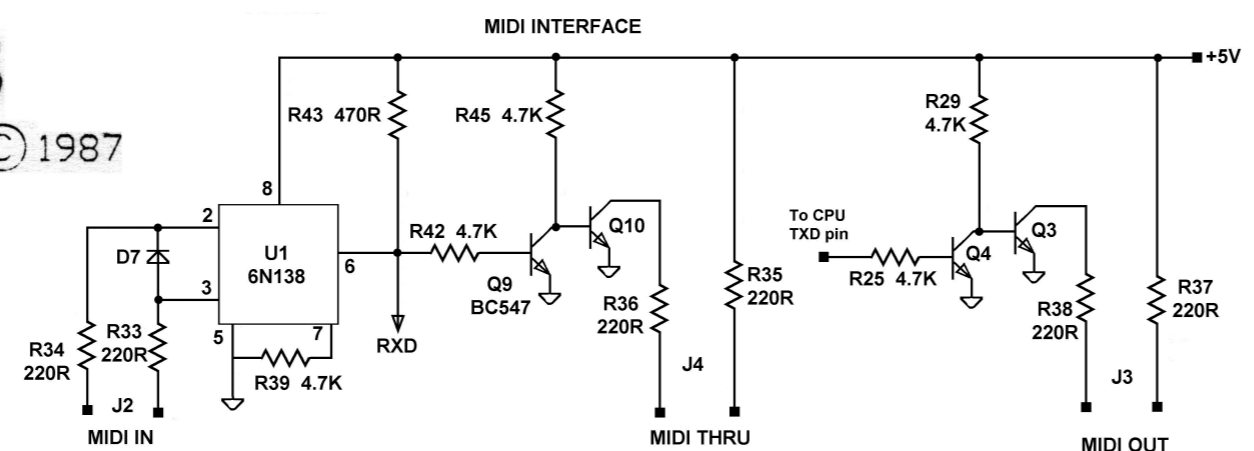


IC PARTS LIST

- 74HC00 - 4x input NAND
- LM339 - comparator
- 74HC04 - hex inverter
- 74HC571
- 74HC30 - 8x input NAND
- HC138 - decoder/multiplexer
- 6N138 - opto coupler



ALESIS
MMTPCB SCHEMATIC © 1987



BYPASS 0.1u CAPACITOR AS NEEDED