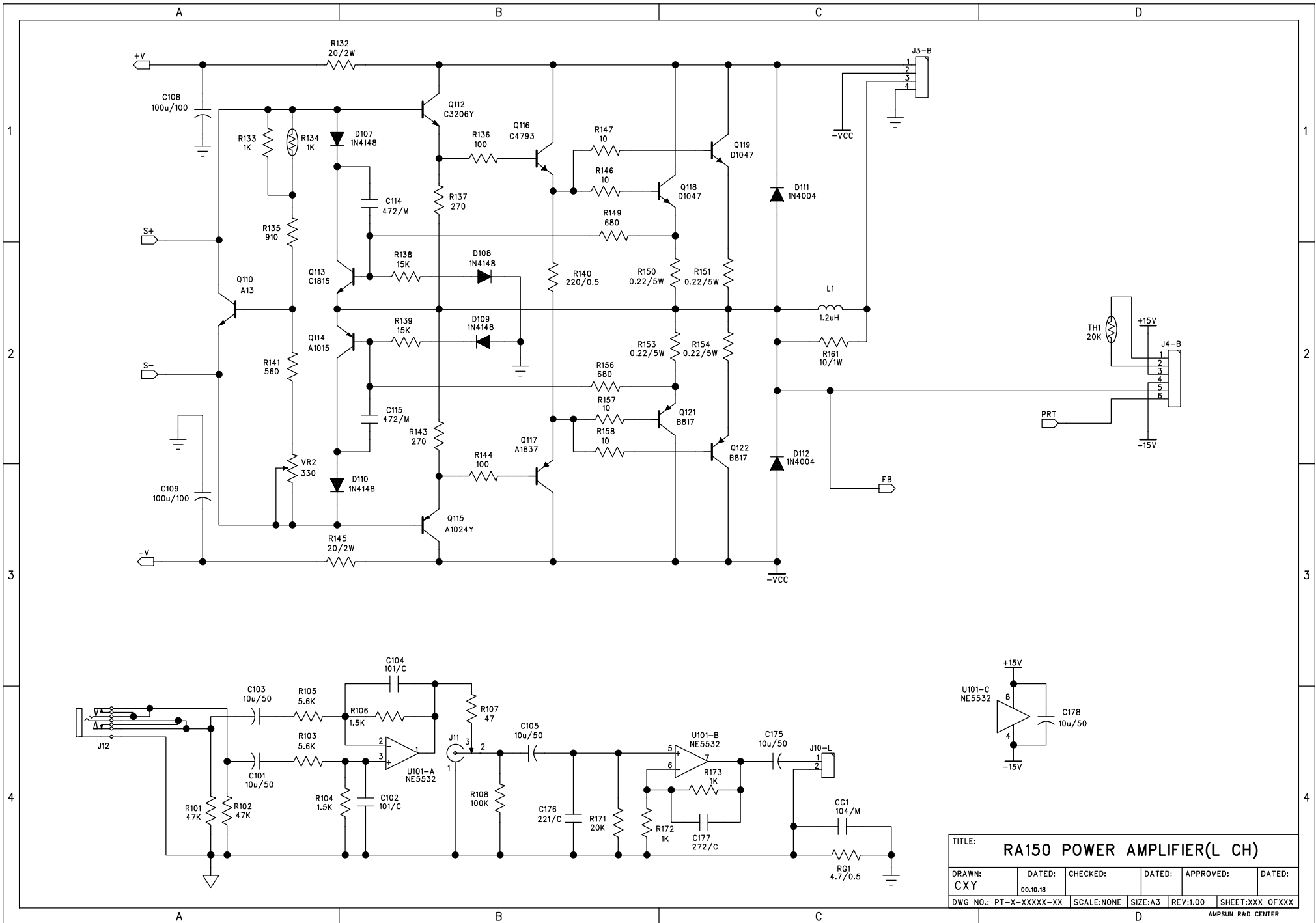


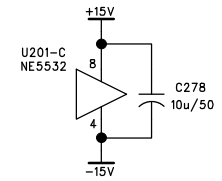
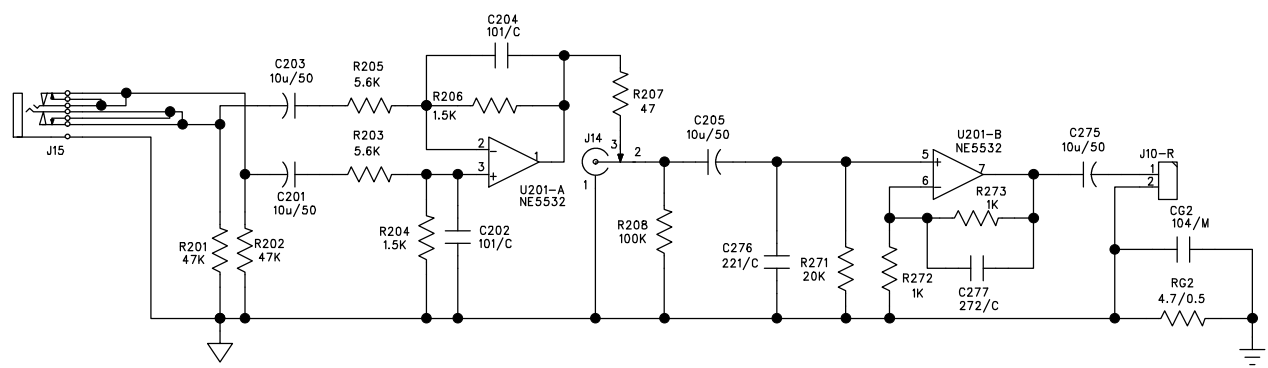
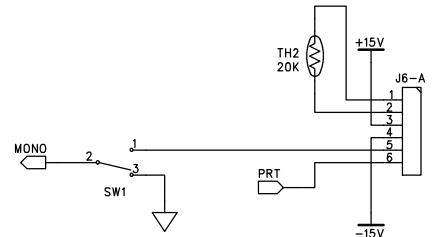
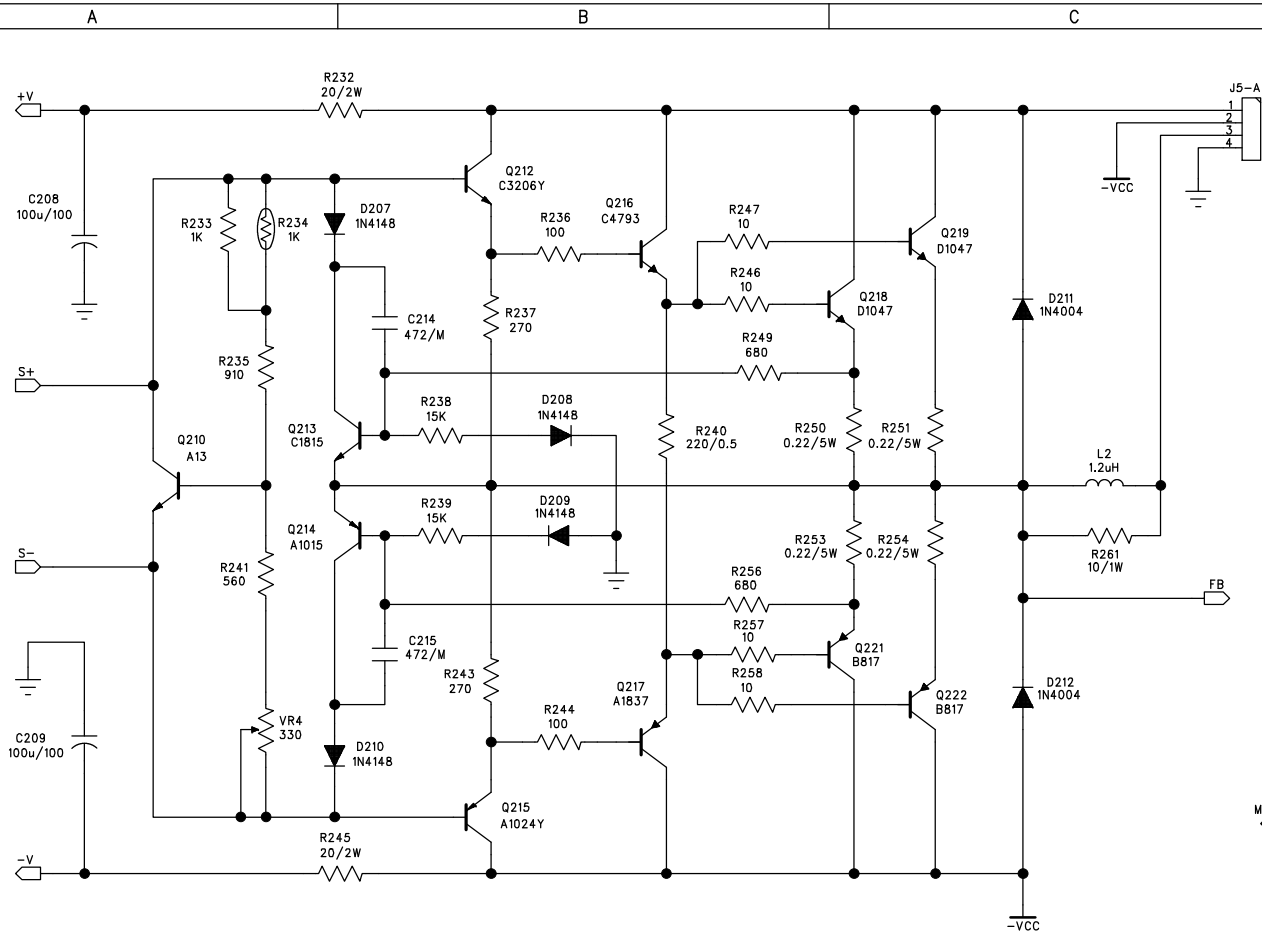
ALESIS RA150 (G4) Service Manual

P/N: 8-31-0097-A

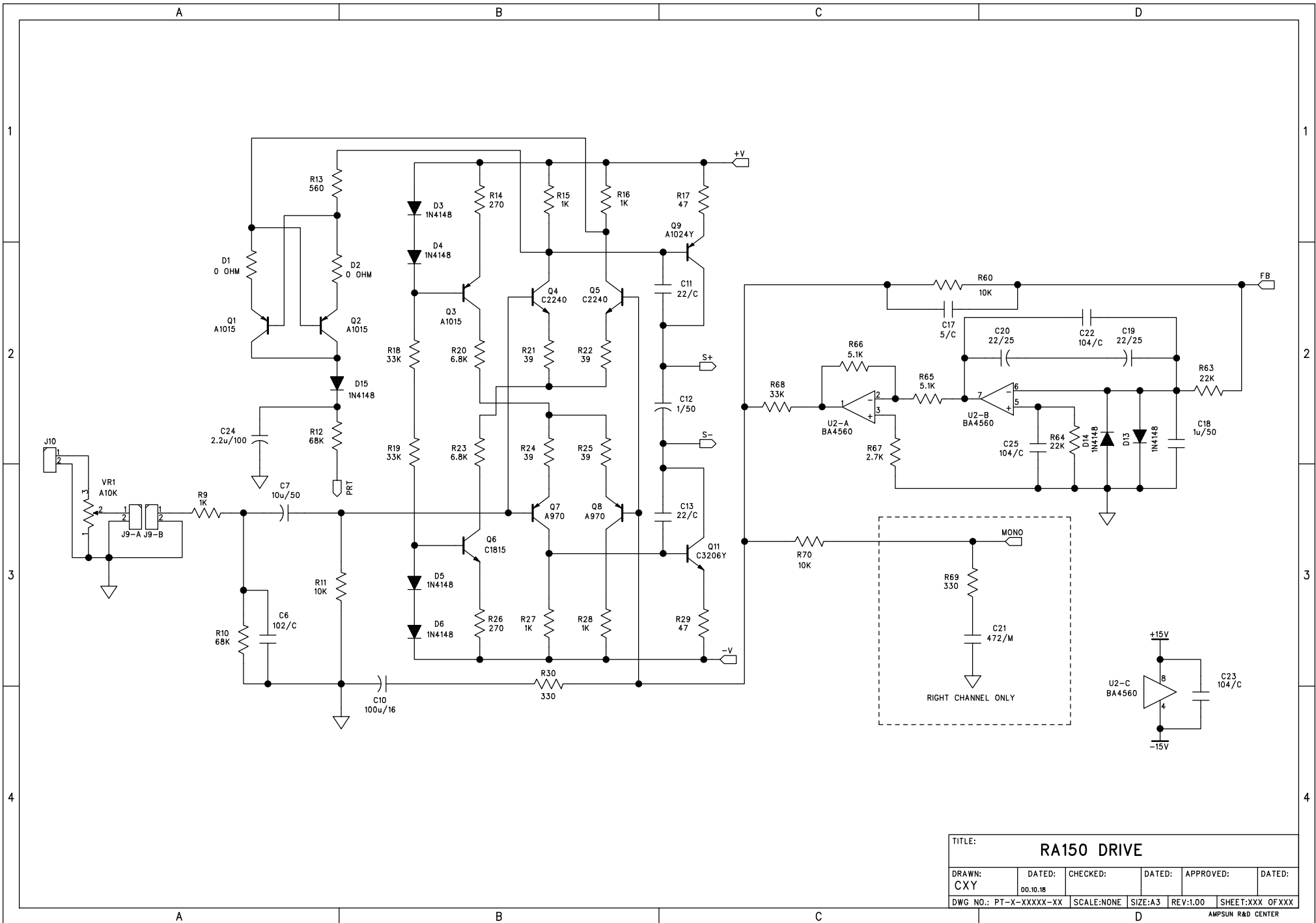
SCHEMATIC AND PCB FILES



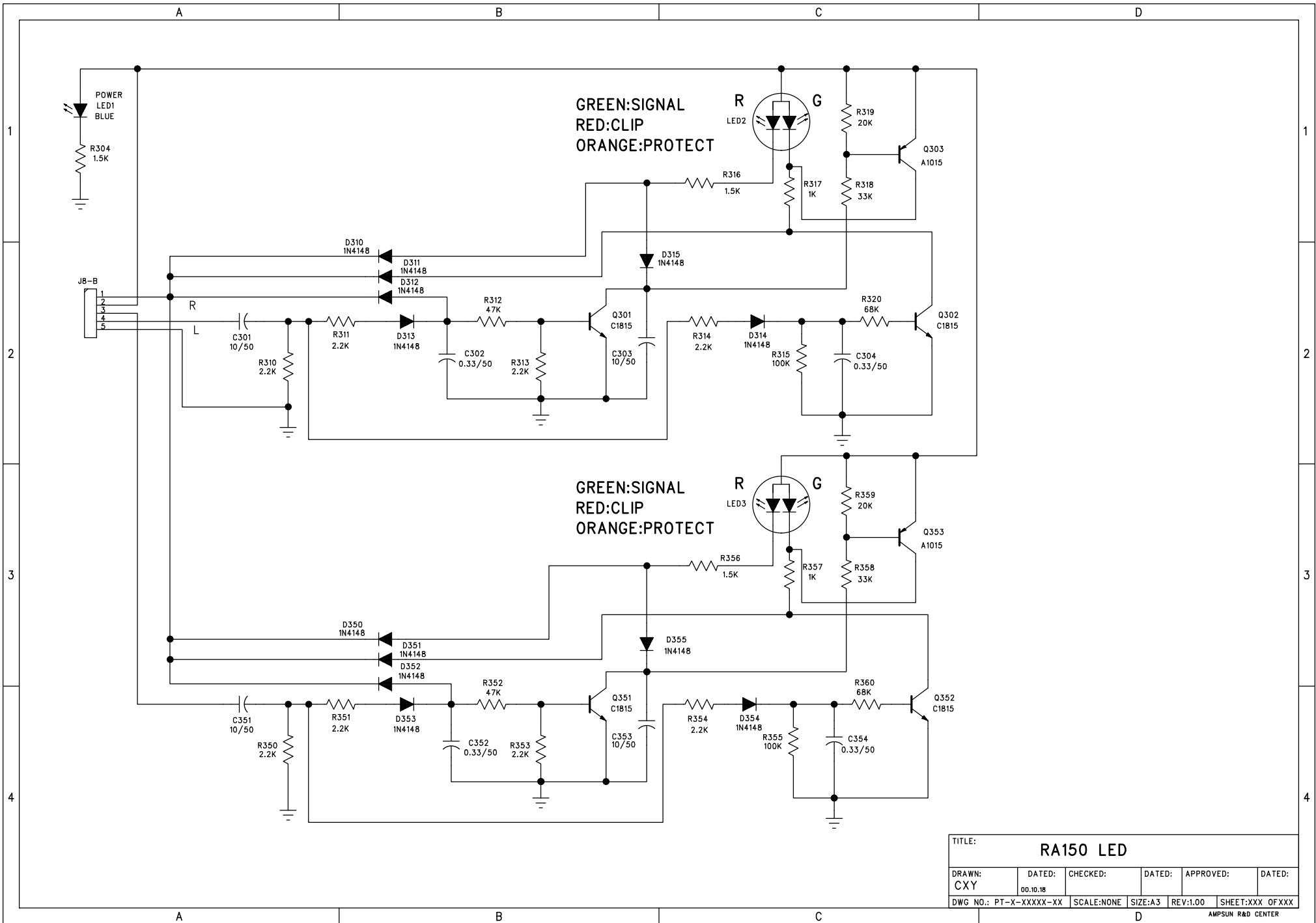
TITLE: RA150 POWER AMPLIFIER(L CH)					
DRAWN: CXY	DATED: 00.10.18	CHECKED:	DATED:	APPROVED:	DATED:
DWG NO.: PT-X-XXXX-XX	SCALE: NONE	SIZE: A3	REV: 1.00	SHEET: XXX OF XXX	
AMPSUN R&D CENTER					



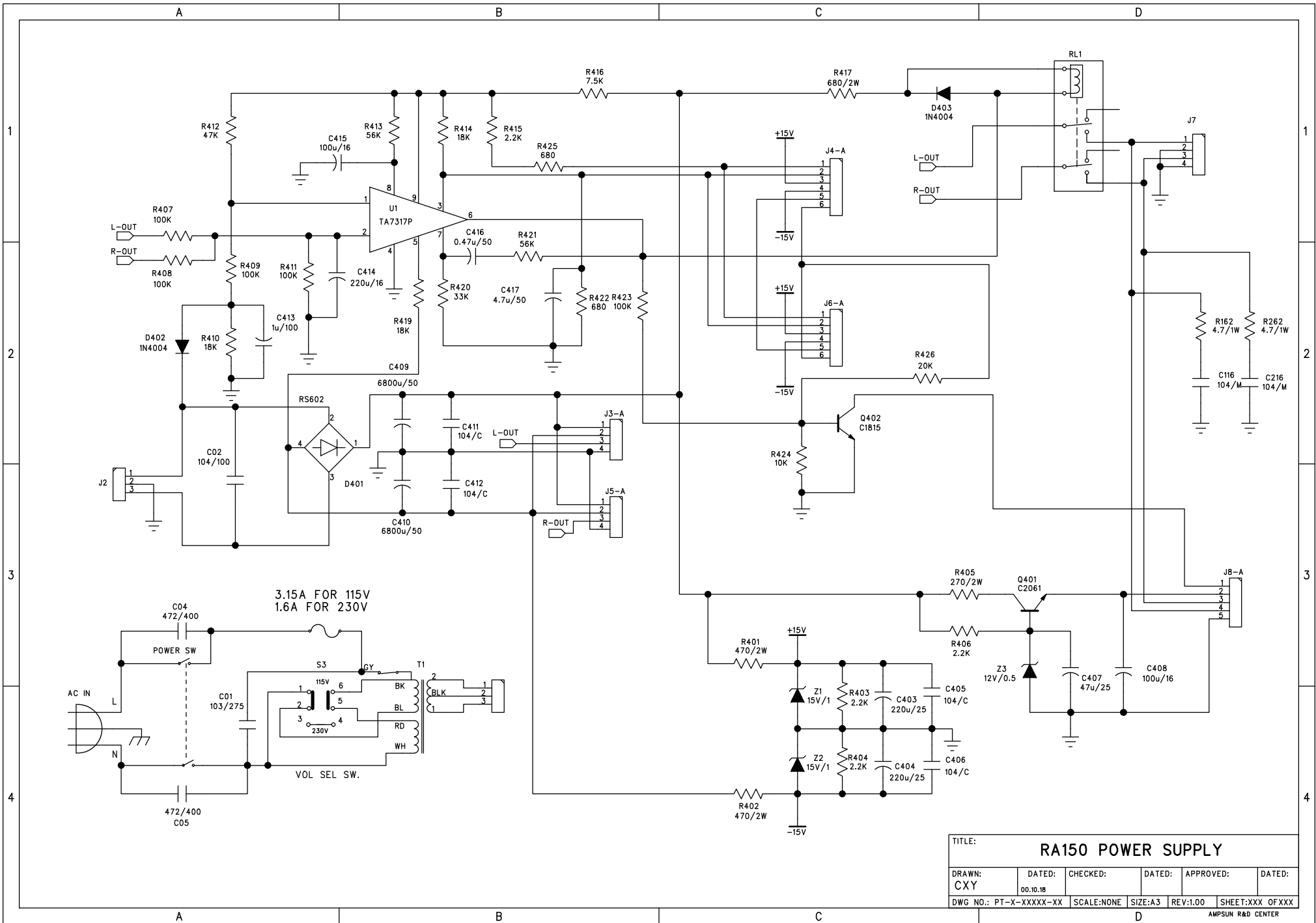
TITLE: RA150 POWER AMPLIFIER(R CH)					
DRAWN: CXY	DATED: 00.10.18	CHECKED:	DATED:	APPROVED:	DATED:
DWG NO.: PT-X-XXXXX-XX	SCALE: NONE	SIZE: A3	REV: 1.00	SHEET: XXX OF XXX	
AMPSUN R&D CENTER					



TITLE: RA150 DRIVE					
DRAWN: CXY	DATED: 00.10.18	CHECKED:	DATED:	APPROVED:	DATED:
DWG NO.: PT-X-XXXX-XX	SCALE: NONE	SIZE: A3	REV: 1.00	SHEET: XXX OF XXX	
AMPSUN R&D CENTER					



TITLE: RA150 LED					
DRAWN: CXY	DATED: 00.10.18	CHECKED:	DATED:	APPROVED:	DATED:
DWG NO.: PT-X-XXXX-XX	SCALE:NONE	SIZE:A3	REV:1.00	SHEET:XXX OFXXX	
AMPSUN R&D CENTER					



TITLE: RA150 POWER SUPPLY					
DRAWN: CXY	DATED: 00.10.18	CHECKED:	DATED:	APPROVED:	DATED:
DWG NO.: PT-X-XXXX-XX	SCALE: NONE	SIZE: A3	REV: 1.00	SHEET: XXX OF XXX	

6

5

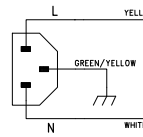
4

3

2

1

IEC CONNECTOR



POWER SW PCB

13.15L250V FOR 115V
T14L250V FOR 230V

F1

STEREO

4 OHM L

4 OHM R

MONO
8 OHM

BINDING POST

D

D

C

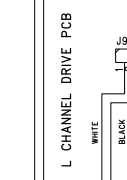
C

B

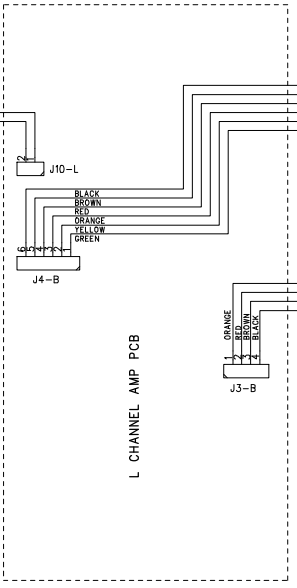
B

A

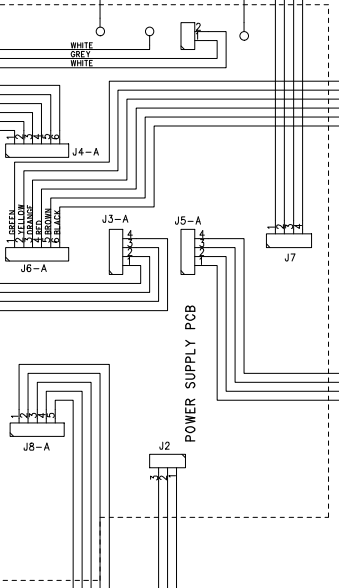
A



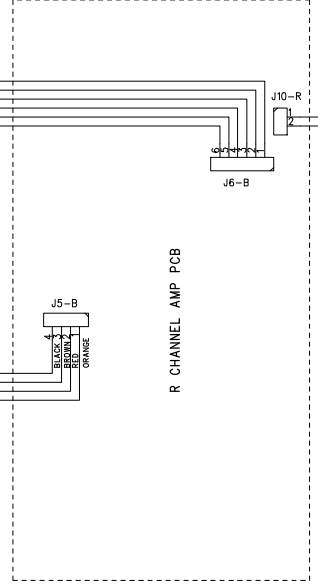
L CHANNEL VR PCB



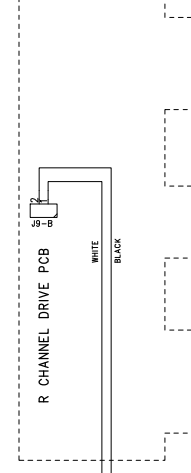
L CHANNEL AMP PCB



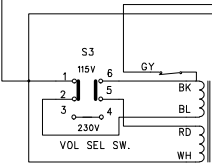
POWER SUPPLY PCB



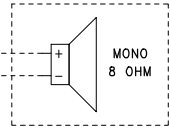
R CHANNEL AMP PCB



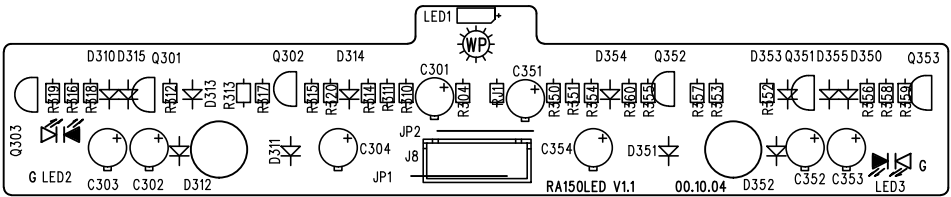
R CHANNEL VR PCB



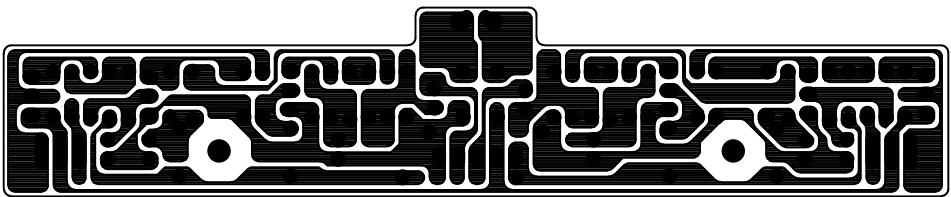
LED METER PCB

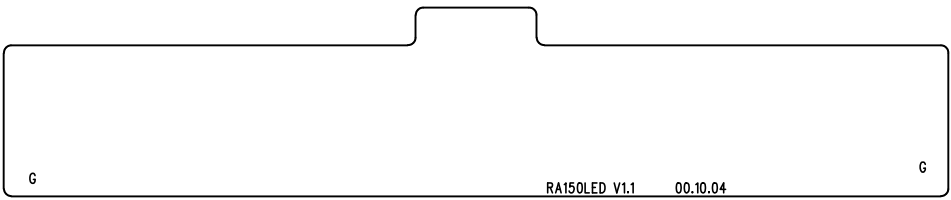


COMPANY: HOMNI ENTERPRISES CO.,LTD.					
TITLE: RA150 WIRING DIGRAM					
DRAWN: CXY	DATED: 00.12.02	CHECKED:	DATED:	APPROVED:	DATED:
DWG NO: PT-X-XXXX-XX	SCALE: NONE	SIZE: A2	REV: 1.00	SHEET: X OF X	



HOMNI ENTERPRISES CO.,LTD
 RA150LED V1.1 00.10.04
 SILKSCREEN TOP SIDE





RA150 (G4) BOM

BOM

BOM						PE-QT-016-A
PRODUCT		HOEM AMP		MODEL	RA150(2*75W) AMP BOARD PARTS(R CHANNEL)	PAGE
NO.	PART NO.		MODEL		SPECIFICATION	QTY
1	CB0118001001		PCB		RA300AR,V1.2(178.5*80.5mm),2OZ??	1
2	JP1080500000		JUMPER		è0.8*5mm	1
3	JP1080750000		JUMPER		è0.8*7.5mm	5
4	JP1081000000		JUMPER		è0.8*10mm	8
5	JP1081250000		JUMPER		è0.8*12.5mm	3
6	JP1081500000		JUMPER		è0.8*15mm	2
7	RR0100000210		C/R		1/8W,0 ohm,+/-5%,	2
8	RR0101000210		C/R		1/8W,10 ohm,+/-5%,	4
9	RR0104700210		C/R		1/8W,47 ohm,+/-5%,	1
10	RR0110000210		C/R		1/8W,100 ohm,+/-5%,	2
11	RR0127000210		C/R		1/8W,270 ohm,+/-5%,	2
12	RR0156000210		C/R		1/8W,560 ohm,+/-5%,	1
13	RR0168000210		C/R		1/8W,680 ohm,+/-5%,	2
14	RR0191000210		C/R		1/8W,910 ohm,+/-5%,	1
15	RR0110010210		C/R		1/8W,1K ohm,+/-5%,	1
16	RR0115010210		C/R		1/8W,1.5K ohm,+/-5%,	2
17	RR0156010210		C/R		1/8W,5.6K ohm,+/-5%,	2
18	RR0115020210		C/R		1/8W,15K ohm,+/-5%,	2
19	RR0120020210		C/R		1/8W,20K ohm,+/-5%,	1
20	RR0147020210		C/R		1/8W,47K ohm,+/-5%,	2
21	RR0110030210		C/R		1/8W,100K ohm,+/-5%,	1
22	RR0122000410		C/R		1/2W,220 ohm,+/-5%,	1
23	RR0410010210		M/R		1/8W,1K ohm,+/-1%,	2
24	RR0300470410		MO/R		1/2W,4.7 ohm,+/-5%,	1
25	RR0301000520		MO/R		1W,10 ohm,+/-5%	1
26	RR0302000620		MO/R		2W,20 ohm,+/-5%	2
27	RR0700022842		CEMENT RES		5W,0.22 ohm,+/-5%,ERECT,13*9*25mm	4
28	RR0810010000		THERMAL RES		1K ohm,+/-5%,?????	1
29	RR0820020001		THERMAL RES		20K ohm,+/-5%,?????,??????	1
30	CC1100005110		C/C		101/50V,+/-5%,NPO	2
31	CC1220005110		C/C		221/50V,+/-5%,NPO	1

32	CC2100309010		M/C		104/100V,+/-5%	1
33	CC2470109010		M/C		472/100V,+/-5%	2
31	EC1100505120		E/C		10UF/50V,+/-20%,85?,è5*11mm	5
32	EC1100609120		E/C		100UF/100V,+/-20%,85?,è10*20mm	2
33	IC0710553200		IC		NE5532P,DIP8	1
34	DI0100414800		DIODE		1N4148,75V,200mA,1/2W	4
35	DI0100400400		DIODE		1N4004,400V,1A	2
36	TR0103018150		TR		2SC1815GR,150mA,50V,400mW,NPN	1
37	TR0204010150		TR		2SA1015GR,150mA,50V,400mW,PNP	1
38	TR0116032060		TR		C3206Y,KEC	1
39	TR0215010240		TR		A1024Y,KEC	1
40	TR0101000130		TR		MPSA13,500mA,30V,625mV,NPN,DARLINGTON	1
41	TR0103047930		TR		2SC4793,NPN	1
42	TR0204018370		TR		2SA1837,PNP	1
43	TR0108010470		TR		D1047	2
44	TR0207008170		TR		B817	2
45	LN3151000100		NARROW CHOKE		1.2UH	1
46	VR5033100200		TRIM VR		331B,F-637V-TR	1
47	RA1032010000		RCA JACK		AV-8.4-3,3PIN ,WHITE, GILD	1
48	JA0800000000		6.35 JACK		CK3-6.35-02B,GILD,WITH PLASTIC NUT	1
49	JA0102110000		2P SOCKET		2532-02-180 ,P=2.54mm	1
50	AL5801200410		4PIN PLUG WIRE		18#,4P,P=4.0,L=120mm,WITH 8639	1
51	AL5201500621		6PIN PLUG WIRE		22#,6P,P=2.54,L=150mm	1

BOM

PRODUCT	HOME AMP	MODEL	RA150(2*75W)AMP BOARD PARTS(L CHANNEL)	
NO.	PART NO.	MATERIAL	SPECIFICATION	QTY
1	CB0118001000	PCB	RA300AL,V1.2,178.5*80.5mm,2OZ	1
2	JP1080750000	JUMPER	è0.8*7.5mm	5
3	JP1081000000	JUMPER	è0.8*10mm	9
4	JP1081250000	JUMPER	è0.8*12.5mm	1
5	JP1081500000	JUMPER	è0.8*15mm	1
6	RR0100000210	C/R	1/8W,0 ohm,+/-5%,	3
7	RR0101000210	C/R	1/8W,10 ohm,+/-5%,	4
8	RR0104700210	C/R	1/8W,47 ohm,+/-5%,	1
9	RR0110000210	C/R	1/8W,100 ohm,+/-5%,	2
10	RR0127000210	C/R	1/8W,270 ohm,+/-5%,	2
11	RR0156000210	C/R	1/8W,560 ohm,+/-5%,	1
12	RR0168000210	C/R	1/8W,680 ohm,+/-5%,	2
13	RR0191000210	C/R	1/8W,910 ohm,+/-5%,	1
14	RR0110010210	C/R	1/8W,1K ohm,+/-5%,	1
15	RR0115010210	C/R	1/8W,1.5K ohm,+/-5%,	2
16	RR0156010210	C/R	1/8W,5.6K ohm,+/-5%,	2
17	RR0115020210	C/R	1/8W,15K ohm,+/-5%,	2
18	RR0120020210	C/R	1/8W,20K ohm,+/-5%,	1
19	RR0147020210	C/R	1/8W,47K ohm,+/-5%,	2
20	RR0110030210	C/R	1/8W,100K ohm,+/-5%,	1
21	RR0122000410	C/R	1/2W,220 ohm,+/-5%,	1
22	RR0410010210	M/R	1/8W,1K ohm,+/-1%,	2
23	RR0300470410	MO/R	1/2W,4.7 ohm,+/-5%,	1
24	RR0301000520	MO/R	1W,10 ohm,+/-5%	1
25	RR0302000620	MO/R	2W,20 ohm,+/-5%,	2
26	RR0700022842	CEMENT RES	5W,0.22 ohm,+/-5% 13*9*25mm	4
27	RR0810010000	THERMAL RES	1K ohm,+/-5%	1
28	RR0820020001	THERMAL RES	20K ohm,+/-5%	1
29	CC1100005110	C/C	101/50V,+/-5%,NPO	2
30	CC1220005110	C/C	221/50V,+/-5%,NPO	1
31	CC1270105520	C/C	272/50V,+/-10%,Y5P	1

32	CC1270105520		C/C		272/50V,+/-10%,Y5P	1
33	CC2100309010		M/C		104/100V,+/-5%	1
31	CC2470109010		M/C		472/100V,+/-5%	2
32	EC1100505120		E/C		10UF/50V,+/-20%,85?,è5*12mm	5
33	EC1100609120		E/C		100UF/100V,+/-20%,85?,è10*20mm	2
34	IC0710553200		IC		NE5532P,DIP8	1
35	DI0100414800		DIODE		1N4148,75V,200mA,1/2W	4
36	DI0100400400		DIODE		1N4004,400V,1A	2
37	TR0103018150		TR		2SC1815GR,150mA,50V,400mW,NPN	1
38	TR0204010150		TR		2SA1015GR,150mA,50V,400mW,PNP	1
39	TR0116032060		TR		C3206Y,KEC	1
40	TR0215010240		TR		A1024Y,KEC	1
41	TR0101000130		TR		MPSA13,500mA,30V,625mV,NPN,DARLINGTON	1
42	TR0103047930		TR		2SC4793,NPN	1
43	TR0204018370		TR		2SA1837,PNP	1
44	TR0108010470		TR		D1047	2
45	TR0207008170		TR		B817	2
46	LN3151000100		NARROW CHOKE		ERECT,1.2UH	1
47	VR5033100200		TRIM VR		331B,F-637V-TR	1
48	RA1022010000		RCA JACK		AV-8.4-3,3PIN , GILD	1
49	JA0800000000		6.35 JACK		CK3-6.35-02B,GILD,WITH PLASTIC NUT	1
50	JA0102110000		2P SOCKET		2532-02-180?,P=2.54mm	1
51	SW0202204000		SWITCH		SK-22F03-G04,L=4mm?COMAX?	1
52	AL5803500410		4PIN PLUG WIRE		18#,4P,P=4.0,L=350mm,WITH 8639 PLUG	1
53	AL5203500620		6PIN PLUG WIRE		22#,6P,P=2.54,L=350mm	1

BOM

BOM						PE-QT-016-A
PRODUCT		HOME AMP		MODEL	RA150(2*75W)AMP DRIVER BOARD PARTS (L CHANNEL)	PAGE
NO.	PART NO.		MATERIAL		SPECIFICATION	QTY
1	CB0818101000		PCB		RA500DRV,V1.1(120*38mm),2OZ??	1
2	JP1080500000		JUMPER		è0.8*5mm	3
3	JP1081000000		JUMPER		è0.8*10mm	1
4	JP1081500000		JUMPER		è0.8*15mm	1
5	RR0433000210		M/R		1/8W,330 ohm,+/-1%,	1
6	RR0410020210		M/R		1/8W,10K ohm,+/-1%,	2
7	RR0100000210		C/R		1/8W,0 ohm,+/-5%,	3
8	RR0103900210		C/R		1/8W,39 ohm,+/-5%,	4
9	RR0104700210		C/R		1/8W,47 ohm,+/-5%,	2
10	RR0127000210		C/R		1/8W,270 ohm,+/-5%,	2
11	RR0156000210		C/R		1/8W,560 ohm,+/-5%,	1
12	RR0110010210		C/R		1/8W,1K ohm,+/-5%,	5
13	RR0127010210		C/R		1/8W,2.7K ohm,+/-5%,	1
14	RR0151010210		C/R		1/8W,5.1K ohm,+/-5%,	2
15	RR0168010210		C/R		1/8W,6.8K ohm,+/-5%,	2
16	RR0110020210		C/R		1/8W,10K ohm,+/-5%,	1
17	RR0122020210		C/R		1/8W,22K ohm,+/-5%,	2
18	RR0133020210		C/R		1/8W,33K ohm,+/-5%,	3
19	RR0168020210		C/R		1/8W,68K ohm,+/-5%,	2
20	CC1005005110		C/C		5PF/50V,+/-5%,NPO	1
21	CC1022009110		C/C		22PF/100V,+/-5%,NPO	2
22	CC1100105520		C/C		102/50V,+/-10%,Y5P	1
23	CC1100305250		C/C		104/50V,+80/-20%,Y5V	3
24	EC4100405120		NON-POLARITY		1UF/50V,+/-20%,85?,è4*7mm	1
25	EC1100405120		E/C		1UF/50V,+/-20%,85?,è5*12mm	1
26	EC1220409120		E/C		2.2UF/100V,+/-20%,85?,è5*12mm	1
27	EC1100505120		E/C		10UF/50V,+/-20%,85?,è5*12mm	1
28	EC1220503120		E/C		22UF/25V,+/-20%,85?,è5*12mm	2
29	EC3100602120		LOW LEAKAGE		100UF/16V,+/-20%,85?,è6.3*11mm	1
30	IC0110456000		IC		BA4560,DIP8	1
31	DI0100414800		DIODE		1N4148,75V,200mA,1/2W	7

32	TR0103018150		TR		2SC1815GR,150mA,50V,400mW,NPN	1
33	TR0204010150		TR		2SA1015GR,150mA,50V,400mW,PNP	3
34	TR0103022400		TR		2SC2240,100mA,120V,400mW,NPN	2
35	TR0204009700		TR		2SA970,100mA,120V,400mW,PNP	2
36	TR0116032060		TR		A1024Y,KEC	1
37	TR0215010240		TR		C3206Y,KEC	1
38	JA0102110000		2P SOCKET		2532-02-180?,P=2.54mm	1
39	AL3501800220		2P SHIELD WIRE		2P,P=2.54mm,L=180mm, GRAY	1
40	AL3502200220		2P SHIELD WIRE		2P,P=2.54mm,L=220mm, GRAY	1
41	VR1210307200		VR		F10K,RV16A-20-F14(ALPHA),L=20mm	1

BOM

PRODUCT	HOME AMP	MODEL	RA150(2*75W)AMP DRIVE BOARD PARTS(R CHANNEL)	PAGE
NO.	PART NO.	MATERIAL	SPECIFICATION	QTY
1	CB0818101000	PCB	RA500DRV,V1.1(120*38mm),2OZ??	1
2	JP1080500000	JUMPER	è0.8*5mm	2
3	JP1081000000	JUMPER	è0.8*10mm	1
4	JP1081500000	JUMPER	è0.8*15mm	2
5	RR0433000210	M/R	1/8W,330 ohm,+/-1%,	2
6	RR0410020210	M/R	1/8W,10K ohm,+/-1%,	2
7	RR0100000210	C/R	1/8W,0 ohm,+/-5%,	3
8	RR0103900210	C/R	1/8W,39 ohm,+/-5%,	4
9	RR0104700210	C/R	1/8W,47 ohm,+/-5%,	2
10	RR0127000210	C/R	1/8W,270 ohm,+/-5%,	2
11	RR0156000210	C/R	1/8W,560 ohm,+/-5%,	1
12	RR0110010210	C/R	1/8W,1K ohm,+/-5%,	5
13	RR0127010210	C/R	1/8W,2.7K ohm,+/-5%,	1
14	RR0151010210	C/R	1/8W,5.1K ohm,+/-5%,	2
15	RR0168010210	C/R	1/8W,6.8K ohm,+/-5%,	2
16	RR0110020210	C/R	1/8W,10K ohm,+/-5%,	1
17	RR0122020210	C/R	1/8W,22K ohm,+/-5%,	2
18	RR0133020210	C/R	1/8W,33K ohm,+/-5%,	3
19	RR0168020210	C/R	1/8W,68K ohm,+/-5%,	2
20	CC1005005110	C/C	5PF/50V,+/-5%,NPO	1
21	CC1022009110	C/C	22PF/100V,+/-5%,NPO	2
22	CC1100105520	C/C	102/50V,+/-10%,Y5P	1
23	CC1100305250	C/C	104/50V,+80/-20%,Y5V	3
24	CC2470109010	M/C	472/100V,+/-5%	1
25	EC4100405120	NON POLARITY	1UF/50V,+/-20%,85?,è4*7mm	1
26	EC1100405120	E/C	1UF/50V,+/-20%,85?,è5*12mm	1
27	EC1220409120	E/C	2.2UF/100V,+/-20%,85?,è5*12mm	1
28	EC1100505120	E/C	10UF/50V,+/-20%,85?,è5*12mm	1
29	EC1220503120	E/C	22UF/25V,+/-20%,85?,è5*12mm	2
30	EC3100602120	LOW LEAKAGE	100UF/16V,+/-20%,85?,è6.3*11mm	1
31	IC0110456000	IC	BA4560,DIP8	1

32	DI0100414800		DIODE		1N4148,75V,200mA,1/2W	7
31	TR0103018150		TR		2SC1815GR,150mA,50V,400mW,NPN	1
32	TR0204010150		TR		2SA1015GR,150mA,50V,400mW,PNP	3
33	TR0103022400		TR		2SC2240,100mA,120V,400mW,NPN	2
34	TR0204009700		TR		2SA970,100mA,120V,400mW,PNP	2
35	TR0116032060		TR		A1024Y,KEC	1
36	TR0215010240		TR		C3206Y,KEC	1
37	JA0102110000		2P SOCKTE		2532-02-180?,P=2.54mm	1
38	AL3501800220		2P SHIELD WIRE		2P,P=2.54mm,L=180mm, GRAY	1
39	AL3502200220		2P SHIELD WIRE		2P,P=2.54mm,L=220mm, GRAY	1
40	VR1210307200		VR		F10K,RV16A-20-F14(ALPHA),L=20mm	1

BOM

PRODUCT	HOME AMP	MODEL	RA150(2*75W) AMP POWER BOARD PARTS	PAGE
NO.	PART NO.	MATERIAL	SPECIFICATION	QTY
1	CB0918101000	PCB	RA500PWR,V1.1 (179*90mm),2OZ	1
2	JP1080500000	JUMPER	è0.8*5mm	2
3	JP1080750000	JUMPER	è0.8*7.5mm	1
4	JP1081000000	JUMPER	è0.8*10mm	4
5	JP1081250000	JUMPER	è0.8*12.5mm	1
6	JP1081500000	JUMPER	è0.8*15mm	6
7	JP1082000000	JUMPER	è0.8*20mm	3
8	RR0100000210	C/R	1/8W,0 ohm,+/-5%,	1
9	RR0122010210	C/R	1/8W,2.2K ohm,+/-5%,	3
10	RR0175010210	C/R	1/8W,7.5K ohm,+/-5%,	1
11	RR0110020210	C/R	1/8W,10K ohm,+/-5%,	1
12	RR0118020210	C/R	1/8W,18K ohm,+/-5%,	3
13	RR0120020210	C/R	1/8W,20K ohm,+/-5%,	1
14	RR0133020210	C/R	1/8W,33K ohm,+/-5%,	1
15	RR0147020210	C/R	1/8W,47K ohm,+/-5%,	1
16	RR0156020210	C/R	1/8W,56K ohm,+/-5%,	2
17	RR0110030210	C/R	1/8W,100K ohm,+/-5%,	5
18	RR0468000210	M/R	1/8W,680 ohm,+/-1%,	2
19	RR0422010210	M/R	1/8W,2.2K ohm,+/-1%,	1
20	RR0300470550	MO/R	1W,4.7 ohm,+/-5%, ERECT	2
21	RR0327000620	MO/R	2W,270 ohm,+/-5%	1
22	RR0347000620	MO/R	2W,470 ohm,+/-5%	2
23	RR0368000620	MO/R	2W,680 ohm,+/-5%	1
24	CC1100309250	C/C	104/100V,+80/-20%,Y5V	4
25	CC2100309010	M/C	104/100V,+/-5%	3
26	EC1470305120	E/C	0.47UF/50V,+/-20%,85?,è5*12mm	1
27	EC1100409120	E/C	1UF/100V,+/-20%,85?,è5*12mm	1
28	EC1470405120	E/C	4.7UF/50V,+/-20%,85?,è5*12mm	1
31	EC1470503120	E/C	47UF/25V,+/-20%,85?,è5*12mm	1
32	EC1100602120	E/C	100UF/16V,+/-20%,85?,è5*12mm	2
33	EC1220602120	E/C	220UF/16V,+/-20%,85?,è6.3*12mm	1

34	EC1220603121		E/C		220UF/25V,+/-20%,85?,è8*12mm	2
35	EC1680705130		E/C		6800UF/50V,+50/-0%,85?,è25*42mm	2
36	CC8470115030		APPROVED CAP		472/400V,+/-20%,C/C	2
37	CC8100214020		APPROVED CAP		103/275V,+/-20%	1
38	IC0620731700		IC		TA7317P,SIP9	1
39	ZD1012010000		ZENNER DIODE		12V,1/2W	1
40	ZD1015020000		ZENNER DIODE		1W,15V	2
42	DI0100400400		DIODE		1N4004,400V,1A	2
43	DI0300080200		BRIDGE RECTIFIER		RS802,8A/200V	1
44	TR0103018150		TR		2SC1815GR,150mA,50V,400mW,NPN	1
45	TR0103020610		TR		C2061,NPN	1
46	JA0102320000		SOCKET		2PIN,PITCH=4mm	1
47	JA0103320000		SOCKET		3PIN,PITCH=4mm	1
48	JA0104320000		SOCKET		4PIN,PITCH=4mm	3
49	JA0105110000		5P SOCKET		2532-05-180 ,P=2.54mm	1
50	JA0106110000		6P SOCKET		2532-06-180 ,P=2.54mm	2
51	SW0900000000		POWER SWITCH		8212-2(CHILY), WITH M3.0*0.5mm SCREW THREAD	1
52	PD6000000000		SLIP		E665	3
53	RE6005012000		RELAY		12V,DW323-D12S,?5A?	1

BOM

BOM						
PRODUCT		HOME AMP		MODEL	RA150(2*75W)AMP POWER INDICATOR BOARD PARTS	PAGE
NO.	PART NO.		MATERIAL		SPECIFICATION	QTY
1	CB1017901000		PCB		RA150LED,V1.1 (125*25mm),2OZ??	1
2	JP1081500000		JUMPER		è0.8*15mm	2
3	RR0100000210		C/R		1/8W,0 ohm,+/-5%,	1
4	RR0110010210		C/R		1/8W,1K ohm,+/-5%,	2
5	RR0115010210		C/R		1/8W,1.5K ohm,+/-5%,	3
6	RR0122010210		C/R		1/8W,2.2K ohm,+/-5%,	8
8	RR0133020210		C/R		1/8W,33K ohm,+/-5%,	2
9	RR0120020210		C/R		1/8W,20K ohm,+/-5%,	2
10	RR0147020210		C/R		1/8W,47K ohm,+/-5%,	2
11	RR0168020210		C/R		1/8W,68K ohm,+/-5%,	2
12	RR0110030210		C/R		1/8W,100K ohm,+/-5%,	2
13	EC2100505120		MINI E/C		10UF/50V,+/-20%,85?,è5*7mm	4
14	EC2330305120		MINI E/C		0.33UF/50V,+/-20%,85?,è4*7mm	4
15	DI0100414800		DIODE		1N4148,75V,200mA,1/2W	12
16	LD0612205020		LED		2*5mm, RSG302N	2
17	LD1012205020		LED		2*5mm, RB432NC	1
18	TR0103018150		TR		2SC1815GR,150mA,50V,400mW,NPN	4
19	TR0204010150		TR		2SA1015GR,150mA,50V,400mW,PNP	2
20	AL5302000520		5P PLUG WIRE		5PIN,P=2.54mm,24#,UL1007,L=200mm	1

BOM

PRODUCT	HOME AMP	MODEL	RA150(2*75W)PROFESSIONAL AMPLIFIER	PAGE
NO.	PART NO.	MATERIAL	SPECIFICATION	QTY
1	SM1017900000	RA150LED PARTS	2*75W AMP POWER INDICATOR BOARD PARTS	1
2	SM1117900000	RA150PWR PARTS	2*75W POWER BOARD PARTS	1
3	SM1217900000	RA150DRV-L PARTS	2*75W AMP DRIVER BOARD PARTS(L CHANNEL)	1
4	SM1217900000	RA150DRV-R PARTS	2*75W AMP DREIVE BOARD PARTS(R CHANNEL)	1
5	SM0117900000	RA150AL PARTS	2*75W AMP BOARD PARTS(L CHANNEL)	1
6	SM0117900001	RA150AR PARTS	2*75W AMP BOARD PARTS(R CHANNEL)	1
7	FU2030125001	FUSE	5*20mm,5TT3A250V(5TT)FOR	1
	FU2016125001		115V,5TT1.6A250V(5TT)FOR 230V	
8	FS2000000002	FUSE HOLDER	FH-B02	1
10	TT2221020301	EI POWER TRANS	150W,AC115/230V INPUT, AC32.8V*2 OUTPUT	1
11	PP2102002500	MICA FILM	20*25mm	8
12	WL2150120400	GND CABLE	L=150mm,18# YELLOW IN GREEN	1
13	WL4120050570	UL1617CABLE	L=120mm,20# YELLOW	1
14	WL4280050560	UL1617CABLE	L=280mm,20# YELLOW	1
15	WL4280100570	UL1617CABLE	L=280mm,20# WHITE	1
16	WL4220050500	UL1617CABLE	L=220mm,20# YELLOW,NO SKIN 10mm,TINNING	1
17	WL4180100560	UL1617CABLE	L=180mm,20# WHITE	1
18	WL4250100560	UL1617CABLE	L=250mm,20# WHITE	1
20	AL5801800410	4PINCABLE	L=180mm,18#,UL1015,PITCH=4mm	1
21	HP1233110000	BINDING POST	A215BK ,GILD	2
22	SW1100000000	VOLTAGE SELE SWITCH	HF-308	1
23	JA0403000002	POWER SOCKET	3PIN,3516-4	1
24	PT1040015000	THERMAL SLEEVE	è4*15mm,BLK	8
25	PT1200040000	THERMAL SLEEVE	è20*40mm,BLK	1
26	PT1250040000	THERMAL SLEEVE	è25*40mm,BLK	1
27	PT1400040000	THERMAL SLEEVE	è40*40mm,BLK	1
28	PB0600000000	BUSHING	è2.4*80mm	6
29	PB0600000001	BUSHING	è2.5*100mm	8

BOM

PRODUCT	HOME AMP	MODEL	RA150(2*75W)PROFESSIONAL AMPLIFIER	PAGE
NO.	PART NO.	MATERIAL	SPECIFICATION	QTY
1	SM1017900000	RA150LED PARTS	2*75W AMP POWER INDICATOR BOARD PARTS	1
2	SM1117900000	RA150PWR PARTS	2*75W POWER BOARD PARTS	1
3	SM1217900000	RA150DRV-L PARTS	2*75W AMP DRIVER BOARD PARTS(L CHANNEL)	1
4	SM1217900000	RA150DRV-R PARTS	2*75W AMP DREIVE BOARD PARTS(R CHANNEL)	1
5	SM0117900000	RA150AL PARTS	2*75W AMP BOARD PARTS(L CHANNEL)	1
6	SM0117900001	RA150AR PARTS	2*75W AMP BOARD PARTS(R CHANNEL)	1
7	FU2030125001	FUSE	5*20mm,5TT3A250V(5TT)FOR	1
	FU2016125001		115V,5TT1.6A250V(5TT)FOR 230V	
8	FS2000000002	FUSE HOLDER	FH-B02	1
10	TT2221020301	EI POWER TRANS	150W,AC115/230V INPUT, AC32.8V*2 OUTPUT	1
11	PP2102002500	MICA FILM	20*25mm	8
12	WL2150120400	GND CABLE	L=150mm,18# YELLOW IN GREEN	1
13	WL4120050570	UL1617CABLE	L=120mm,20# YELLOW	1
14	WL4280050560	UL1617CABLE	L=280mm,20# YELLOW	1
15	WL4280100570	UL1617CABLE	L=280mm,20# WHITE	1
16	WL4220050500	UL1617CABLE	L=220mm,20# YELLOW,NO SKIN 10mm,TINNING	1
17	WL4180100560	UL1617CABLE	L=180mm,20# WHITE	1
18	WL4250100560	UL1617CABLE	L=250mm,20# WHITE	1
20	AL5801800410	4PINCABLE	L=180mm,18#,UL1015,PITCH=4mm	1
21	HP1233110000	BINDING POST	A215BK ,GILD	2
22	SW1100000000	VOLTAGE SELE SWITCH	HF-308	1
23	JA0403000002	POWER SOCKET	3PIN,3516-4	1
24	PT1040015000	THERMAL SLEEVE	è4*15mm,BLK	8
25	PT1200040000	THERMAL SLEEVE	è20*40mm,BLK	1
26	PT1250040000	THERMAL SLEEVE	è25*40mm,BLK	1
27	PT1400040000	THERMAL SLEEVE	è40*40mm,BLK	1
28	PB0600000000	BUSHING	è2.4*80mm	6
29	PB0600000001	BUSHING	è2.5*100mm	8

BOM

BOM						
PRODUCT		HOME AMP		MODEL	RA150(2*75W) MECHANIC PARTS	PAGE
NO.	PART NO.		MATERIAL		SPECIFICATION	QTY
1	MT0117925800		TOP COVER		IRON,1.50MM PAINT BLK SMOOTH	1
2	MT0717925800		BOTTOM COVER		IRON,1.51MM PAINT BLK SMOOTH	1
3	MT1017925800		LEFT SIDE PANEL		IRON,1.52MM PAINT BLK SMOOTH	1
4	MT1017925801		RIGHT SIDE PANEL		IRON,1.53MM PAINT BLK SMOOTH	1
5	PL1617911700		VR SWITCH		ABS SILIVER	2
6	PM2000000000		PLASTIC FOOT		BLK PLASTIC,SR-80?	4
7	PM2005017001		PLASTIC FOOT		è17*5*4mm	4
8	PM1008008002		FOAM		8*8*3mm,SIGNAL GLUE	1
9	PL0117940300		PLATE		PA765+ SMOKE GRAY	1
10	PL1717910100		SWITCH BUTTON		ABS RED	1
11	PL1017911700		????		ABS SILIVER	1
12	PL1117920501		LED CAP		PC translucence white	1
13	PL1117920500		LED CAP		PC translucence white	2
14	HS0817930100		LEFT HEATSINK		ANODIZE ALUM BLK	1
15	HS0817930101		RIGHT HEATSINK		ANODIZE ALUM BLK	1
16	PC5403071300		COPPER		M3*8	6
17	PC5403071000		COPPER		M3*10 hole	4
18	SC3005206110		SCREW		M3*5 ROUND BLK	3
19	SC3006206110		SCREW		M3*6 ROUND BLK	7
20	SC3008206110		SCREW		M3*8 ROUND BLK	4
21	SC3008206120		SCREW		M3*8 ROUND COLORFUL	1
22	SC3010206110		SCREW		M3*10 ROUND BLK	8
23	SC3014206110		SCREW		M3*14 ROUND BLK	1
24	SC4006206110		SCREW		M4*6 ROUND BLK	4
25	SC4010206110		SCREW		M4*10 ROUND BLK	16
26	SC3006203110		SCREW		M3*6?? BLK	2
27	SC3006208110		SCREW		M3*6?? BLK	16
28	SC4014208110		SCREW		M4*14?? BLK	4
29	SC4012208150		SCREW		M4*12 GALV	4
30	SC4006212130		SCREW		M4*6 INNER HEXANGULAR NECKEL	4
31	SC3006102210		SCREW		3*6 SELF TAP BLK	4

32	MS2113055250		NUT		M3 BLK	1
33	MS2133055250		NUT		M3 NICKEL	1
34	MS2114070300		NUT		M4 BLK	4
35	MS1114210100		FLAT WASHER		OD10*ID4.2*1.0THK BLACK	4
36	MS1113210100		FLAT WASHER		OD10*ID3.2*1.0THK BLACK	9
37	MS1113208080		FLAT WASHER		OD8*ID3.2*0.8THK BLACK	4
38	MS1113206030		FLAT WASHER		OD6*ID3.2*0.3THK BLACK	3
39	MS1123210100		STAR WASHER		OD10*ID3.2*1.0THK COLORFUL	1
40	MS1324210100		STAR WASHER		OD10*ID4.2*1.0THK, OUT STAR,COLORFUL	4
41	PM2065088000		PLASTIC WASHER		88*65*2mm	1

BOM

PRODUCT		HOEM AMP		MODEL	RA150(2*75W) PACKAGE	PAGE
NO.	PART NO.		MATERIAL		SPECIFICATION	QTY
1	PW3112220000		POWER SUPPLY CABLE		3PIN 18#,21-00628-02	1
2	PA1120280300		PE BAG		120*280*0.?mm	1
3	PA1360660300		PE BAG		360*660*0.?mm	1
4	PA1240350300		PE BAG		240*350*0.?mm	1
5	PA1060120100		PE BAG		60*120*0.06mm	1
6	LB1797020000		MANUAL		RA SERIES	1
7	LB1791020000		WARRANTY CARD		SPECIFICATION	1
8	LB1790020001		SERVICE ADRESS		SPECIFICATION	1
9	LB1790020000		???		SPECIFICATION	1
10	PR1790600000		MODEL STIKER		SPECIFICATION	1
11	LB1790020002		COLOR PAPER		WITH DRAWING	1
12	PR1790200000		BAR CODE		SPECIFICATION	2
13	PR1790200001		BAR CODE		SPECIFICATION	6
14	PR1790000001		QC LAB		SPECIFICATION	1
15	PR1790000000		GND STIKER			1
16	PR0001100000		ORIGINAL STIKER		MADE IN CHINA	1
17	AS0200000000		DESICCANT			2
18	XB1790705000		POLY FOAM		RA150	2
19	XB1790300000		GIFT BOX		RA150	1
20	XB1790420000		CARTON		RA150	1/2