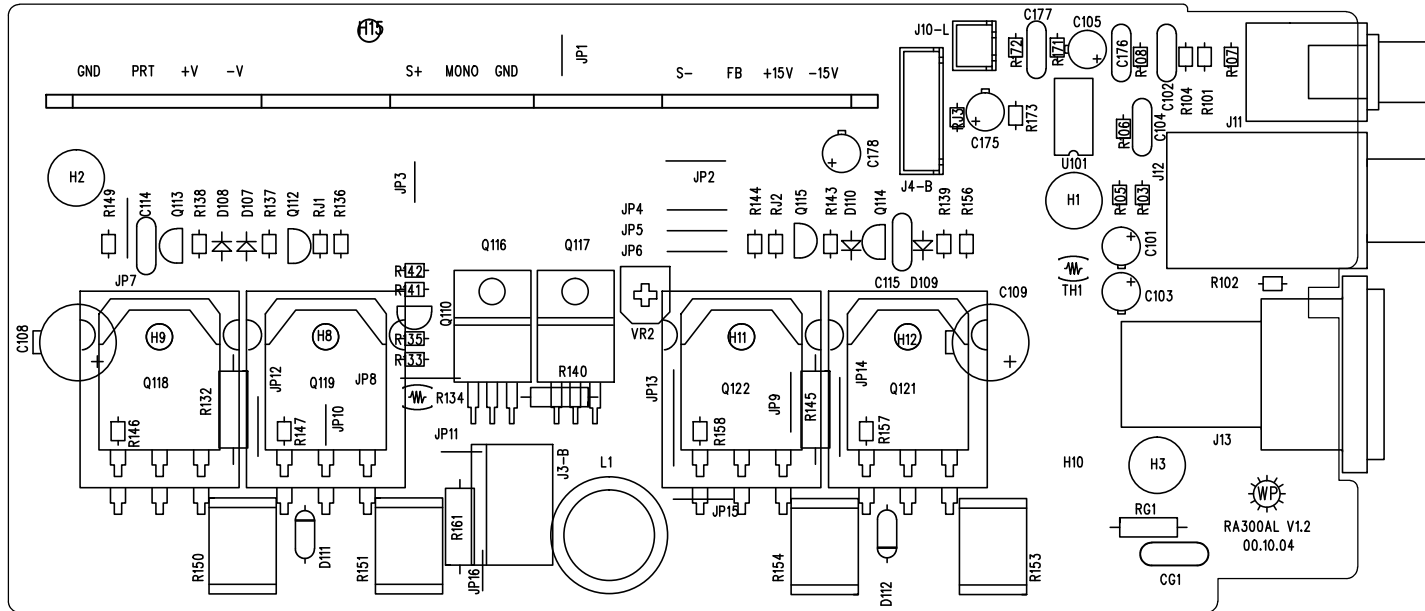


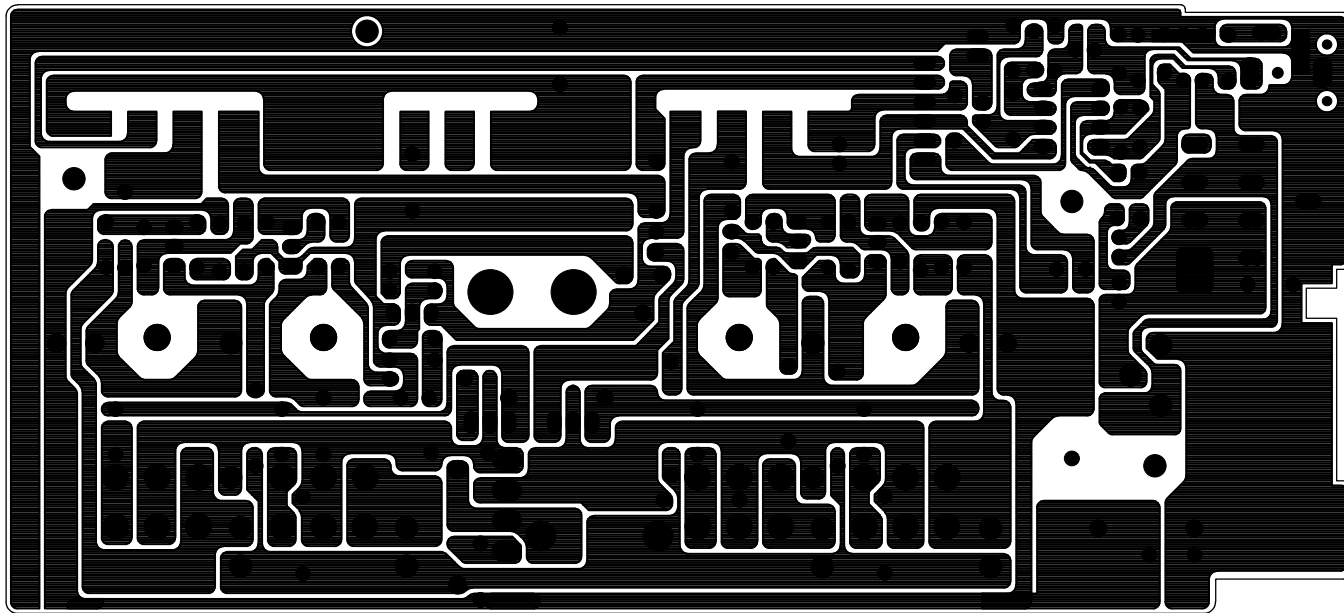
ALESIS RA300 (G5) Service Manual

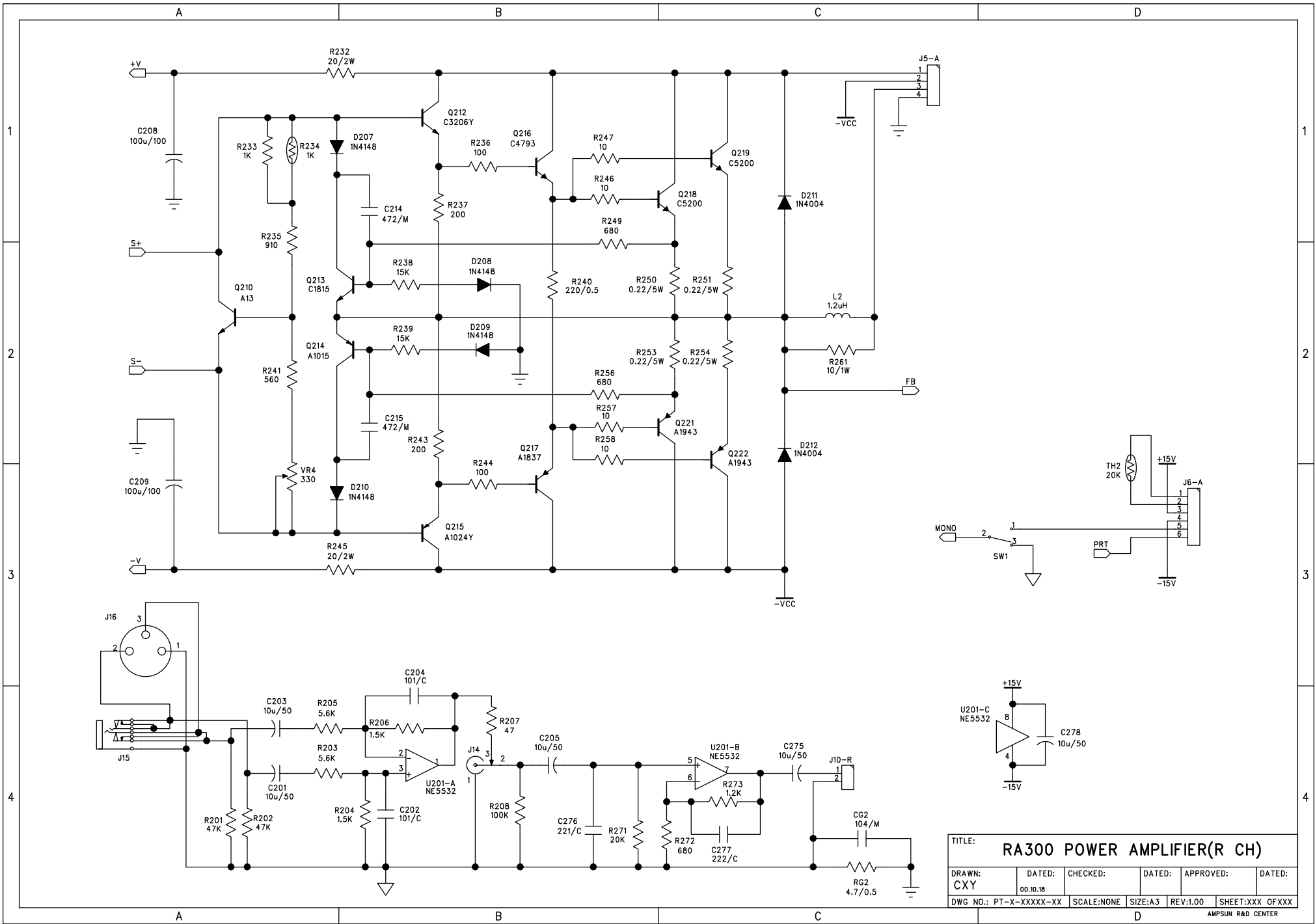
P/N: 8-31-0098-A

**RA300 (G5)
SCHEMATIC
AND
PCB
FILES**

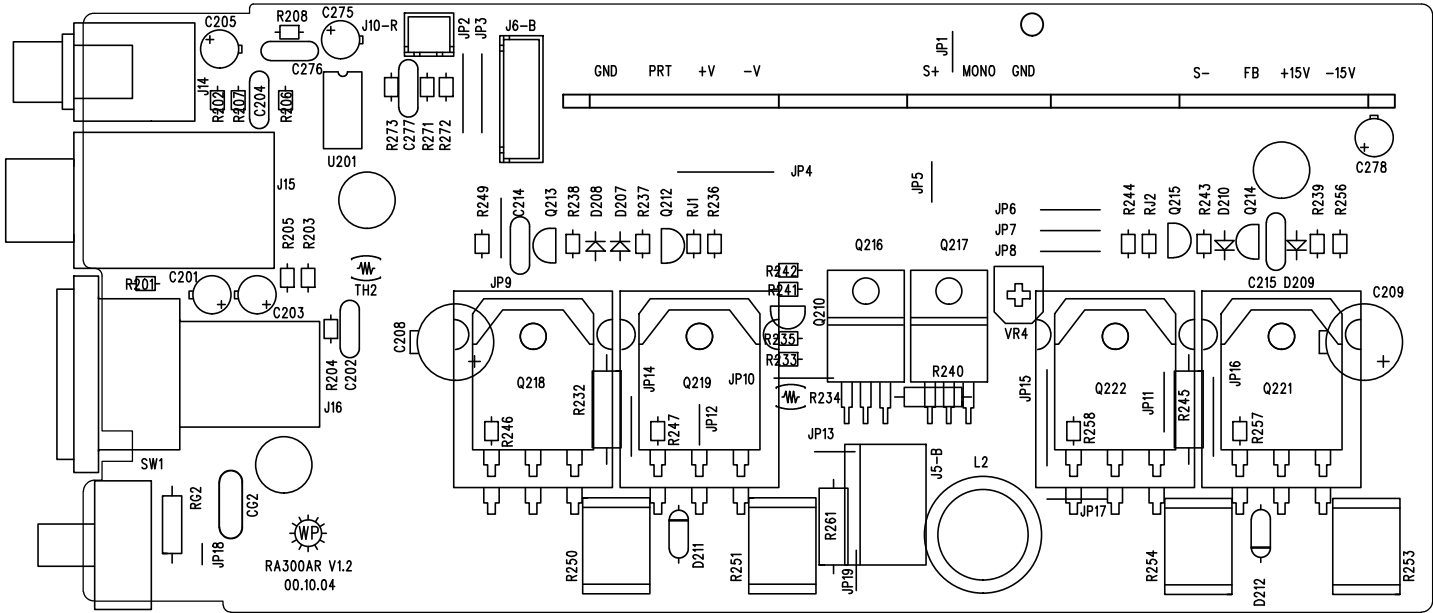


HOMNI ENTERPRISES CO.,LTD
RA300AL V1.1 00.10.04



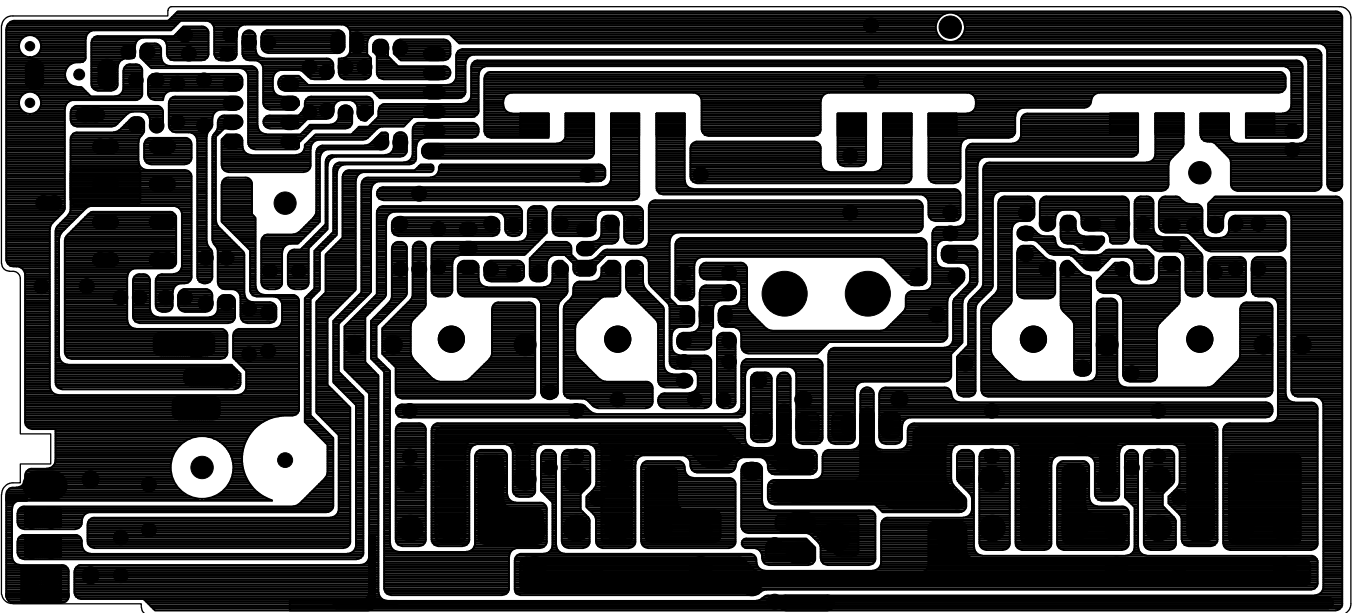


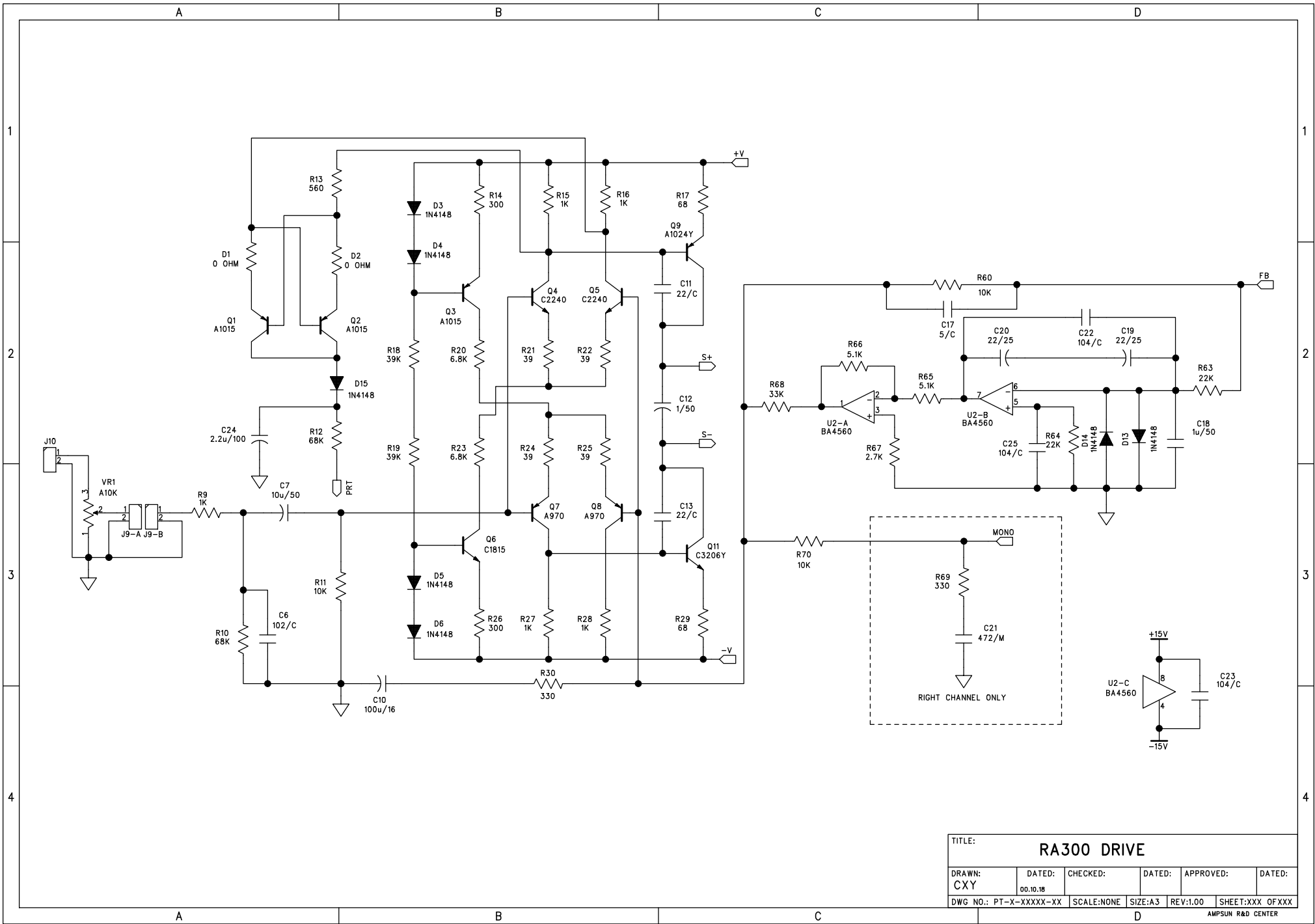
TITLE: RA300 POWER AMPLIFIER(R CH)					
DRAWN: CXY	DATED: 00.10.18	CHECKED:	DATED:	APPROVED:	DATED:
DWG NO.: PT-X-XXXXX-XX	SCALE: NONE	SIZE: A3	REV: 1.00	SHEET: XXX OF XXX	
AMPSUN R&D CENTER					



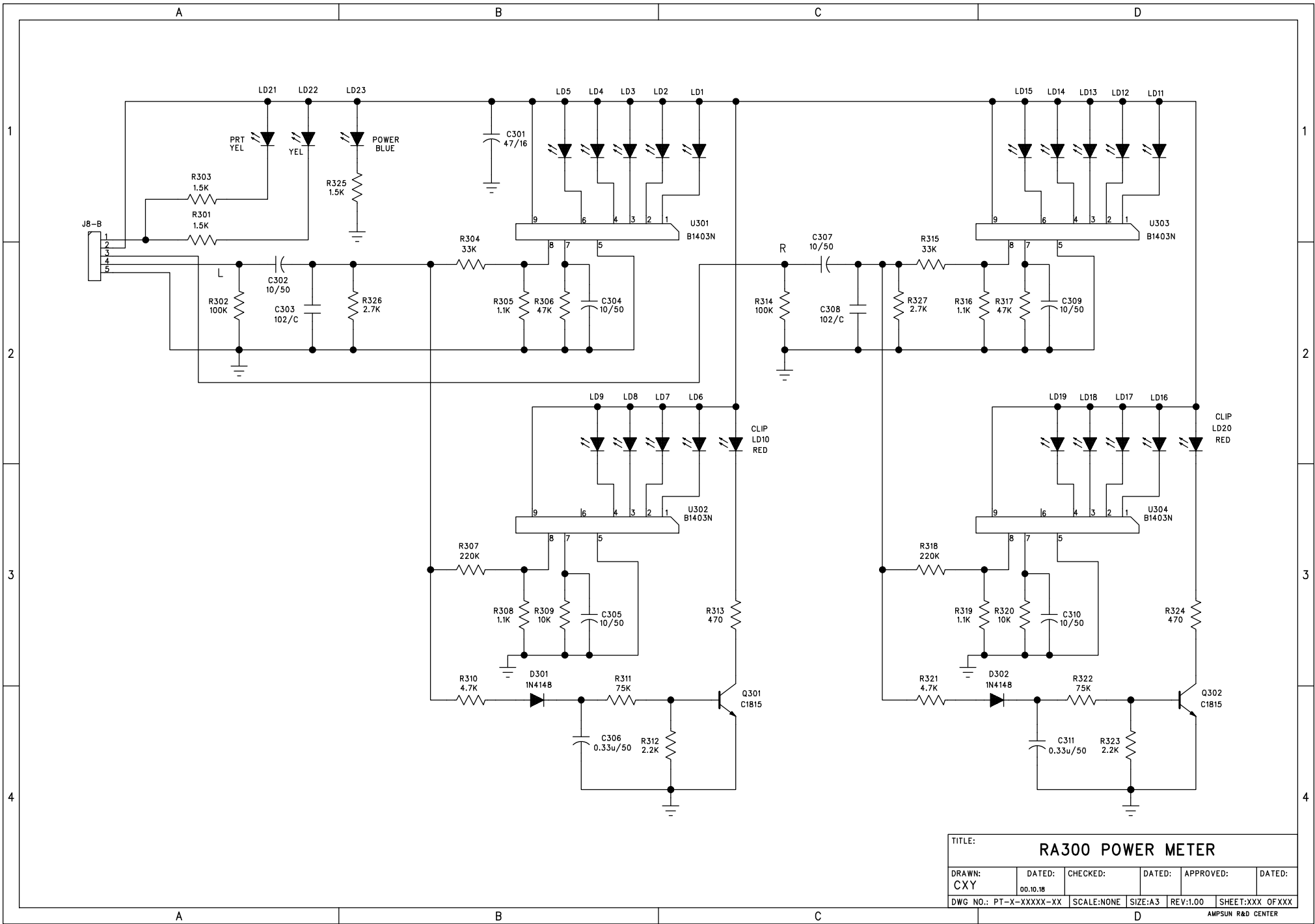
RA3000AR V1.2
00.10.04

HOMNI ENTERPRISES CO.,LTD
RA3000AR V1.1 00.10.04
SILKSCREEN TOP SIDE

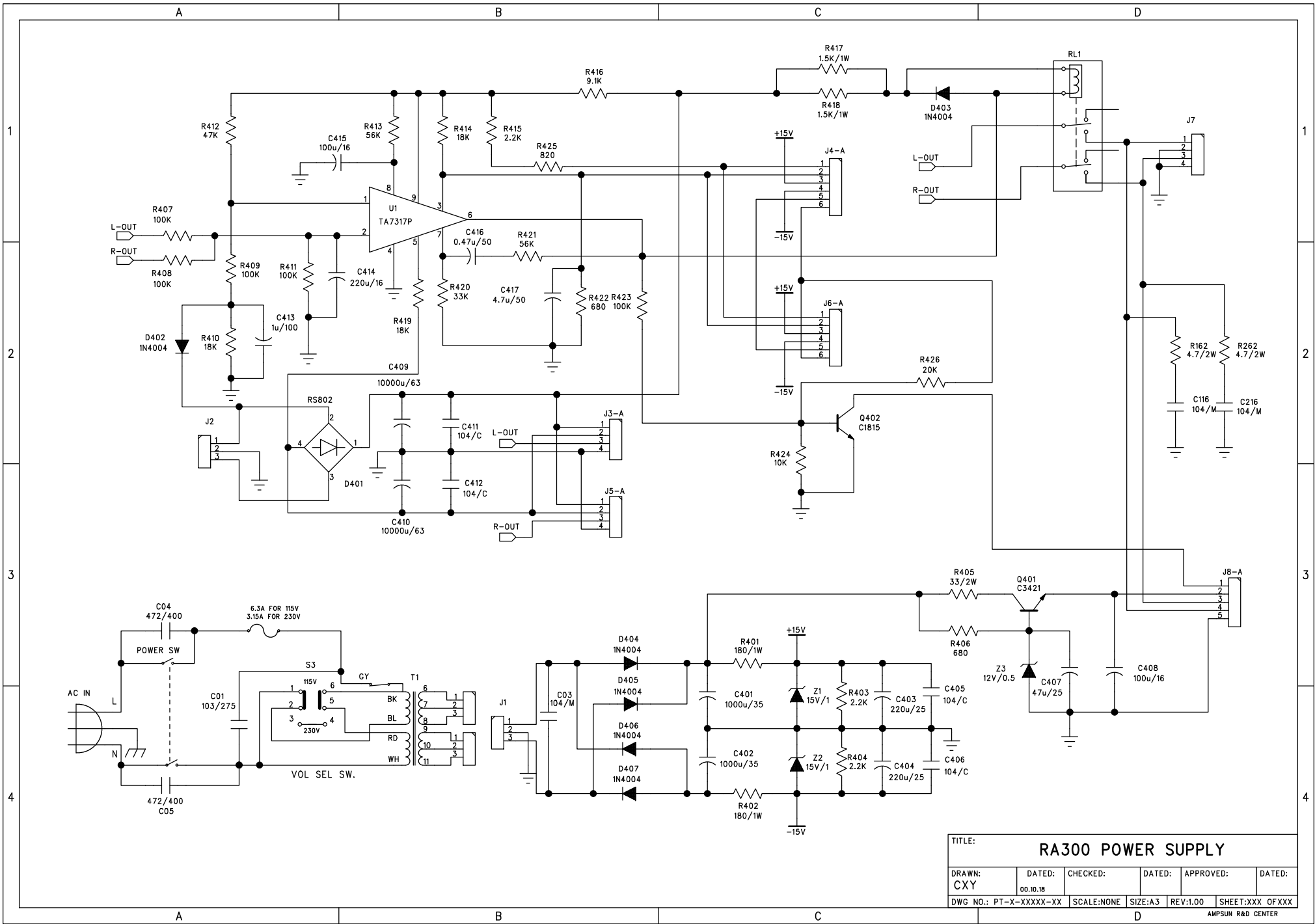




TITLE: RA300 DRIVE					
DRAWN: CXY	DATED: 00.10.18	CHECKED:	DATED:	APPROVED:	DATED:
DWG NO.: PT-X-XXXX-XX	SCALE: NONE	SIZE: A3	REV: 1.00	SHEET: XXX OF XXX	



TITLE: RA300 POWER METER					
DRAWN: CXY	DATED: 00.10.18	CHECKED:	DATED:	APPROVED:	DATED:
DWG NO.: PT-X-XXXX-XX	SCALE:NONE	SIZE:A3	REV:1.00	SHEET:XXX OFXXX	
AMPSUN R&D CENTER					



TITLE: RA300 POWER SUPPLY					
DRAWN: CXY	DATED: 00.10.18	CHECKED:	DATED:	APPROVED:	DATED:
DWG NO.: PT-X-XXXX-XX		SCALE: NONE	SIZE: A3	REV: 1.00	SHEET: XXX OF XXX

6

5

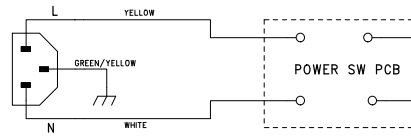
4

3

2

1

IEC CONNECTOR



POWER SW PCB

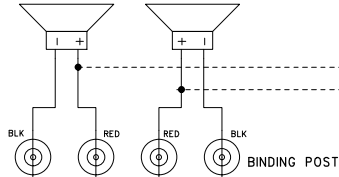
16.3L250V FOR 115V
T3.0L250V FOR 230V

F1

STEREO

4 OHM
L

4 OHM
R



MONO
8 OHM

BINDING POST

D

D

C

C

B

B

A

A

L CHANNEL DRIVE PCB

L CHANNEL AMP PCB

POWER SUPPLY PCB

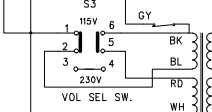
R CHANNEL AMP PCB

R CHANNEL DRIVE PCB

L CHANNEL VR PCB

LED METER PCB

R CHANNEL VR PCB



VOL SEL. SW.

COMPANY: HOMNI ENTERPRISES CO.,LTD.					
TITLE: RA300 WIRING DIGRAM					
DRAWN: CXY	DATED: 00.12.02	CHECKED:	DATED:	APPROVED:	DATED:
DWG NO: PT-X-XXXXX-XX	SCALE: NONE	SIZE: A2	REV: 1.00	SHEET: X OF X	

RA300 (G5) BOM

BOM

BOM						
					PE-QT-016-A	
?	PRODUCT		HOME AMP		MODEL RA300(2*150W)AMP BOARD(L CHANNEL)	PAGE
?	NO.	PART NO.	MATERIAL		SPECIFICATION	QTY
?	1	CB0118001000	PCB		RA300AL,V1.2,178.5*80.5mm,2OZ	1
	2	JP1080750000	JUMPER		F0.8*7.5mm	5
	3	JP1081000000	JUMPER		F0.8*10mm	9
	4	JP1081250000	JUMPER		F0.8*12.5mm	1
	5	JP1081500000	JUMPER		F0.8*15mm	1
	6	RR0100000210	C/R		1/8W,0 ohm,+/-5%	3
	7	RR0101000210	C/R		1/8W,10 ohm,+/-5%	4
	8	RR0104700210	C/R		1/8W,47 ohm,+/-5%	1
	9	RR0110000210	C/R		1/8W,100 ohm,+/-5%	2
	10	RR0120000210	C/R		1/8W,200 ohm,+/-5%	2
	11	RR0156000210	C/R		1/8W,560 ohm,+/-5%	1
	12	RR0168000210	C/R		1/8W,680 ohm,+/-5%	2
	13	RR0191000210	C/R		1/8W,910 ohm,+/-5%	1
	14	RR0110010210	C/R		1/8W,1K ohm,+/-5%	1
?	15	RR0115010210	C/R		1/8W,1.5K ohm,+/-5%	2
	16	RR0156010210	C/R		1/8W,5.6K ohm,+/-5%	2
	17	RR0115020210	C/R		1/8W,15K ohm,+/-5%	2
	18	RR0120020210	C/R		1/8W,20K ohm,+/-5%	1
	19	RR0147020210	C/R		1/8W,47K ohm,+/-5%	2
	20	RR0110030210	C/R		1/8W,100K ohm,+/-5%	1
	21	RR0122000410	C/R		1/2W,220 ohm,+/-5%	1
	22	RR0468000210	M/R		1/8W,680 ohm,+/-1%	1
	23	RR0412010210	M/R		1/8W,1.2K ohm,+/-1%	1
	24	RR0300470410	MO/R		1/2W,4.7 ohm,+/-5%	1
	25	RR0301000520	MO/R		1W,10 ohm,+/-5%	1
	26	RR0302000620	MO/R		2W,20 ohm,+/-5%	2
	27	RR0700022842	CEMENT RES		5W,0.22 ohm,+/-5%, 13*9*25mm	4
	28	RR0810010000	THERMAL RES		1K ohm,+/-5%,?????	1
	29	RR0820020001	THERMAL RES		20K ohm,+/-5%,?????,?????	1
	30	CC1100005110	C/C		101/50V,+/-5%,NPO	2
	31	CC1220005110	C/C		221/50V,+/-5%,NPO	1

?	32	CC1220105520		C/C		222/50V,+/-10%,Y5P	1
?	33	CC2100309010		M/C		104/100V,+/-5%	1
	34	CC2470109010		M/C		472/100V,+/-5%	2
	35	EC1100505120		E/C		10UF/50V,+/-20%,85?,F5*12mm	5
	36	EC1100609120		E/C		100UF/100V,+/-20%,85?,F10*20mm	2
	37	IC0710553200		IC		NE5532P,DIP8	1
	38	DI0100414800		DIODE		1N4148,75V,200mA,1/2W	4
	39	DI0100400400		DIODE		1N4004,400V,1A	2
	40	TR0103018150		TR		2SC1815GR,150mA,50V,400mW,NPN	1
?	41	TR0204010150		TR		2SA1015GR,150mA,50V,400mW,PNP	1
	42	TR0116032060		TR		C3206Y,KEC	1
	43	TR0215010240		TR		A1024Y,KEC	1
	44	TR0101000130		TR		MPSA13,500mA,30V,625mV,NPN,DARLINGTON	1
	45	TR0103047930		TR		2SC4793,NPN	1
	46	TR0204018370		TR		2SA1837,PNP	1
	47	TR0103052000		TR		2SC5200,15A,230V,150W,NPN	2
?	48	TR0204019430		TR		2SA1943,15A,230V,150W,PNP	2
?	49	LN3151000100		NARROW CHOKE		ERECT,1.2UH	1
	50	VR5033100200		TRIM VR		331B,F-637V-TR	1
	51	RA1032010000		RCA JACK		AV-8.4-3,3PIN WHITE,GILD	1
	52	JA0800000000		6.35 JACK		CK3-6.35-02B,GILD, WITH PLASTIC NUT	1
?	53	JA0703200000		XLR JACK		900C ANGLE,94M-007P1	1
	54	JA0102110000		2P SOCKET		2532-02-180 DEGREE,P=2.54mm	1
	55	AL5801200410		4PIN PLUG WIRE		18#,4P,P=4.0,L=120mm,WITH 8639 PLUG	1
?	56	AL5201500621		6PIN PLUG WIRE		22#,6P,P=2.54,L=150mm	1

BOM

PE-QT-016-A							
?	PRODUCT		HOME AMP		MODEL	RA300(2*150W)AMP BOARD PARTS(R CHANNEL)	PAGE
?	NO.	PART NO.		MATERIAL		SPECIFICATION	QTY
?	1	CB0118001001		PCB		RA300AR,V1.2,178.5*80.5mm,2OZ??	1
	2	JP1080500000		JUMPER		F0.8*5mm	1
	3	JP1080750000		JUMPER		F0.8*7.5mm	5
	4	JP1081000000		JUMPER		F0.8*10mm	8
	5	JP1081250000		JUMPER		F0.8*12.5mm	3
	6	JP1081500000		JUMPER		F0.8*15mm	2
	7	RR0100000210		C/R		1/8W,0 ohm,+/-5%	2
	8	RR0101000210		C/R		1/8W,10 ohm,+/-5%	4
	9	RR0104700210		C/R		1/8W,47 ohm,+/-5%	1
	10	RR0110000210		C/R		1/8W,100 ohm,+/-5%	2
	11	RR0120000210		C/R		1/8W,200 ohm,+/-5%	2
	12	RR0156000210		C/R		1/8W,560 ohm,+/-5%	1
	13	RR0168000210		C/R		1/8W,680 ohm,+/-5%	2
	14	RR0191000210		C/R		1/8W,910 ohm,+/-5%,??	1
?	15	RR0110010210		C/R		1/8W,1K ohm,+/-5%	1
	16	RR0115010210		C/R		1/8W,1.5K ohm,+/-5%	2
	17	RR0156010210		C/R		1/8W,5.6K ohm,+/-5%	2
	18	RR0115020210		C/R		1/8W,15K ohm,+/-5%	2
	19	RR0120020210		C/R		1/8W,20K ohm,+/-5%	1
	20	RR0147020210		C/R		1/8W,47K ohm,+/-5%	2
	21	RR0110030210		C/R		1/8W,100K ohm,+/-5%	1
	22	RR0122000410		C/R		1/2W,220 ohm,+/-5%	1
	23	RR0468000210		M/R		1/8W,680 ohm,+/-1%	1
	24	RR0412010210		M/R		1/8W,1.2K ohm,+/-1%	1
	25	RR0300470410		MO/R		1/2W,4.7 ohm,+/-5%	1
	26	RR0301000520		MO/R		1W,10 ohm,+/-5%	1
	27	RR0302000620		MO/R		2W,20 ohm,+/-5%	2
	28	RR0700022842		CEMENT RES		5W,0.22 ohm,+/-5%,ERECT,13*9*25mm	4
	29	RR0810010000		THERMAL RES		1K ohm,+/-5%,NEG TEMPERATER DEGREE	1
	30	RR0820020001		THERMAL RES		20K ohm,+/-5%,NEG TEMP DEGREE, WITH FIXED IRON	1
	31	CC1100005110		C/C		101/50V,+/-5%,NPO	2

?	32	CC1220005110		C/C		221/50V,+/-5%,NPO	1
?	33	CC1220105520		C/C		222/50V,+/-10%,Y5P	1
	34	CC2100309010		M/C		104/100V,+/-5%	1
	35	CC2470109010		M/C		472/100V,+/-5%	2
	36	EC1100505120		E/C		10UF/50V,+/-20%,85?,F5*12mm	5
	37	EC1100609120		E/C		100UF/100V,+/-20%,85?,F10*20mm	2
	38	IC0710553200		IC		NE5532P,DIP8	1
	39	DI0100414800		DIODE		1N4148,75V,200mA,1/2W	4
	40	DI0100400400		DIODE		1N4004,400V,1A	2
?	41	TR0103018150		TR		2SC1815GR,150mA,50V,400mW,NPN	1
	42	TR0204010150		TR		2SA1015GR,150mA,50V,400mW,PNP	1
	43	TR0116032060		TR		C3206Y,KEC	1
	44	TR0215010240		TR		A1024Y,KEC	1
	45	TR0101000130		TR		MPSA13,500mA,30V,625mV,NPN,DARLINGTON	1
	46	TR0103047930		TR		2SC4793,NPN	1
	47	TR0204018370		TR		2SA1837,PNP	1
	48	TR0103052000		TR		2SC5200,15A,230V,150W,NPN	2
?	49	TR0204019430		TR		2SA1943,15A,230V,150W,PNP	2
?	50	LN3151000100		NARROW CHOKE		ERECT,1.2UH	1
	51	VR5033100200		TRIM VR		331B,F-637V-TR	1
	52	RA1032010000		RCA JACK		AV-8.4-3,3PIN ,RED,GILD	1
	53	JA0800000000		6.35 JACK		CK3-6.35-02B,GILD,WITH PLASTIC NUT	1
?	54	JA0703200000		XLR JACK		900C ANGLE,94M-007P1	1
	55	JA0102110000		2P SOCKET		2532-02-180DEGREE,P=2.54mm	1
	56	SW0202204000		SWITCH		SK-22F03-G04,L=4mm(COMAX)	1
	57	AL5803500410		4 PIN SOCKET		18#,4P,P=4.0,L=350mm,WITH 8639 PLUG	1
?	58	AL5203500620		6 PIN SOCKET		22#,6P,P=2.54,L=350mm,	1

BOM

PE-QT-016-A						
?	RPRODUCT	HOME AMP	MODEL	RA300(2*150W)AMP DRIVER BOARD PARTS(L CHANNEL)		PAGE
?	NO.	PART NO.	MATERIAL	SPECIFICATION		QTY
?	1	CB0818101000	PCB	RA500DRV,V1.1(120*38mm),2OZ??		1
	2	JP1080500000	JUMPER	F0.8*5mm		3
	3	JP1081000000	JUMPER	F0.8*10mm		1
	4	JP1081500000	JUMPER	F0.8*15mm		1
	5	RR0433000210	M/R	1/8W,330 ohm,+/-1%		1
	6	RR0410020210	M/R	1/8W,10K ohm,+/-1%		2
	7	RR0100000210	C/R	1/8W,0 ohm,+/-5%		3
	8	RR0103900210	C/R	1/8W,39 ohm,+/-5%		4
	9	RR0104700210	C/R	1/8W,68 ohm,+/-5%		2
	10	RR0127000210	C/R	1/8W,300 ohm,+/-5%		2
	11	RR0156000210	C/R	1/8W,560 ohm,+/-5%		1
	12	RR0110010210	C/R	1/8W,1K ohm,+/-5%		5
	13	RR0127010210	C/R	1/8W,2.7K ohm,+/-5%		1
	14	RR0151010210	C/R	1/8W,5.1K ohm,+/-5%		2
	15	RR0168010210	C/R	1/8W,6.8K ohm,+/-5%		2
?	16	RR0110020210	C/R	1/8W,10K ohm,+/-5%		1
	17	RR0122020210	C/R	1/8W,22K ohm,+/-5%		2
	18	RR0133020210	C/R	1/8W,33K ohm,+/-5%		1
	19	RR0139020210	C/R	1/8W,39K ohm,+/-5%		2
	20	RR0168020210	C/R	1/8W,68K ohm,+/-5%		2
	21	CC1005005110	C/C	5PF/50V,+/-5%,NPO		1
	22	CC1022009110	C/C	22PF/100V,+/-5%,NPO		2
	23	CC1100105520	C/C	102/50V,+/-10%,Y5P		1
	24	CC1100305250	C/C	104/50V,+80/-20%,Y5V		3
	25	EC4100405120	NON POLARITY E/C	1UF/50V,+/-20%,85?,F4*7mm		1
	26	EC1100405120	E/C	1UF/50V,+/-20%,85?,F5*12mm		1
	27	EC1220409120	E/C	2.2UF/100V,+/-20%,85?,F5*12mm		1
	28	EC1100505120	E/C	10UF/50V,+/-20%,85?,F5*12mm		1
	29	EC1220503120	E/C	22UF/25V,+/-20%,85?,F5*12mm		2
	30	EC3100602120	LOW LEAKAGE E/C	100UF/16V,+/-20%,85?,F6.3*11mm		1
	31	IC0110456000	IC	BA4560,DIP8		1
?	32	DI0100414800	DIODE	1N4148,75V,200mA,1/2W		7
?	31	TR0103018150	TR	2SC1815GR,150mA,50V,400mW,NPN		1

	32	TR0204010150		TR		2SA1015GR,150mA,50V,400mW,PNP	3
?	33	TR0103022400		TR		2SC2240,100mA,120V,400mW,NPN	2
	34	TR0204009700		TR		2SA970,100mA,120V,400mW,PNP	2
	35	TR0215010240		TR		A1024Y,KEC	1
?	36	TR0116032060		TR		C3206Y,KEC	1
?	37	JA0102110000		2P SOCKET		2532-02-180?,P=2.54mm	1
	38	AL3501800220		2P SHIELD CABLE		2P,P=2.54mm,L=180mm	1
?	39	AL3502200220		2P SHIELD CABLE		2P,P=2.54mm,L=220mm	1
	40	VR1210307200		VR		F10K,AV16A-20-F14(ALPHA),L=20mm	1
		??:					

BOM

PE-QT-016-A							
?	PRODUCT		HOME AMP		MODEL	RA300(2*150W)AMP DRIVER BOARD PARTS(R CHANNEL)	PAGE
?	NO.	PART NO.		MATERIAL		SPECIFICATION	QTY
?	1	CB0818101000		PCB		RA500DRV,V1.1(120*38mm),2OZ??	1
	2	JP1080500000		JUMPER		F0.8*5mm	2
	3	JP1081000000		JUMPER		F0.8*10mm	1
	4	JP1081500000		JUMPER		F0.8*15mm	2
	5	RR0433000210		M/R		1/8W,330 ohm,+/-1%	2
	6	RR0410020210		M/R		1/8W,10K ohm,+/-1%	2
	7	RR0100000210		C/R		1/8W,0 ohm,+/-5%	3
	8	RR0103900210		C/R		1/8W,39 ohm,+/-5%	4
	9	RR0104700210		C/R		1/8W,68 ohm,+/-5%	2
	10	RR0127000210		C/R		1/8W,300 ohm,+/-5%	2
	11	RR0156000210		C/R		1/8W,560 ohm,+/-5%	1
	12	RR0110010210		C/R		1/8W,1K ohm,+/-5%	5
	13	RR0127010210		C/R		1/8W,2.7K ohm,+/-5%	1
	14	RR0151010210		C/R		1/8W,5.1K ohm,+/-5%	2
	15	RR0168010210		C/R		1/8W,6.8K ohm,+/-5%	2
?	16	RR0110020210		C/R		1/8W,10K ohm,+/-5%	1
	17	RR0122020210		C/R		1/8W,33K ohm,+/-5%	1
	18	RR0133020210		C/R		1/8W,39K ohm,+/-6%	2
	19	RR0139020210		C/R		1/8W,68K ohm,+/-5%	2
	20	RR0168020210		C/R		1/8W,22K ohm,+/-5%	1
	21	CC1005005110		C/C		5PF/50V,+/-5%,NPO	1
	22	CC1022009110		C/C		22PF/100V,+/-5%,NPO	2
	23	CC1100105520		C/C		102/50V,+/-10%,Y5P	1
	24	CC1100305250		C/C		104/50V,+80/-20%,Y5V	3
	25	CC2470109010		M/C		472/100V,+/-5%	1
	26	EC4100405120		NON POLARITY E/C		1UF/50V,+/-20%,85?,F4*7mm	1
	27	EC1100405120		E/C		1UF/50V,+/-20%,85?,F5*12mm	1
	28	EC1220409120		E/C		2.2UF/100V,+/-20%,85?,F5*12mm	1
	29	EC1100505120		E/C		10UF/50V,+/-20%,85?,F5*12mm	1
	30	EC1220503120		E/C		22UF/25V,+/-20%,85?,F5*12mm	2
	31	EC3100602120		LOW LEAKAGE E/C		100UF/16V,+/-20%,85?,F6.3*11mm	1

?	32	IC0110456000		IC	BA4560,DIP8	1
?	33	DI0100414800		DIODE	1N4148,75V,200mA,1/2W	7
	34	TR0103018150		TR	2SC1815GR,150mA,50V,400mW,NPN	1
	35	TR0204010150		TR	2SA1015GR,150mA,50V,400mW,PNP	3
?	36	TR0103022400		TR	2SC2240,100mA,120V,400mW,NPN	2
	37	TR0204009700		TR	2SA970,100mA,120V,400mW,PNP	2
	38	TR0215010240		TR	A1024Y,KEC	1
?	39	TR0116032060		TR	C3206Y,KEC	1
?	40	JA0102110000		2P SOCKET	2532-02-180 ,P=2.54mm	1
	41	AL3501800220		2P SHIELD CABLE	2P,P=2.54mm,L=180mm	1
?	42	AL3502200220		2P SHIELD CABLE	2P,P=2.54mm,L=220mm	1
	43	VR1210307200		VR	F10K,RV16A-20-F14(ALPHA),L=20mm	1

BOM

PE-QT-016-A						
?	PRODUCT	HOME AMP	MODEL	RA300(2*150W)AMP POWER BOARD PARTS	PAGE	
?	NO.	PART NO.	MATERIAL	SPECIFICATION	QTY	
?	1	CB0918101000	PCB	RA500PWR,V1.1 (179*90mm),2OZ??	1	
	2	JP1080500000	JUMPER	F0.8*5mm	1	
	3	JP1080750000	JUMPER	F0.8*7.5mm	1	
	4	JP1081000000	JUMPER	F0.8*10mm	3	
	5	JP1081250000	JUMPER	F0.8*12.5mm	1	
	6	JP1081500000	JUMPER	F0.8*15mm	6	
	7	JP1082000000	JUMPER	F0.8*20mm	3	
	8	RR0100000210	C/R	1/8W,0 ohm,+/-5%	1	
	9	RR0168000210	C/R	1/8W,680 ohm,+/-5%	1	
	10	RR0122010210	C/R	1/8W,2.2K ohm,+/-5%	2	
	11	RR0191010210	C/R	1/8W,9.1K ohm,+/-6%,	1	
	12	RR0110020210	C/R	1/8W,10K ohm,+/-5%,	1	
	13	RR0118020210	C/R	1/8W,18K ohm,+/-5%,	3	
?	14	RR0120020210	C/R	1/8W,20K ohm,+/-5%,	1	
	15	RR0133020210	C/R	1/8W,33K ohm,+/-5%,	1	
	16	RR0147020210	C/R	1/8W,47K ohm,+/-5%,	1	
	17	RR0156020210	C/R	1/8W,56K ohm,+/-5%,	2	
	18	RR0110030210	C/R	1/8W,100K ohm,+/-5%,	5	
	19	RR0468000210	M/R	1/8W,680 ohm,+/-1%,	1	
	20	RR0482000210	M/R	1/8W,820 ohm,+/-1%,	1	
	21	RR0422010210	M/R	1/8W,2.2K ohm,+/-1%,	1	
	22	RR0303300650	MO/R	2W,33 ohm,+/-5%	1	
	23	RR0318000550	MO/R	1W,180 ohm,+/-5%	2	
	24	RR0315010550	MO/R	1W,1.5K ohm,+/-5%	2	
	25	RR0300470620	MO/R	2W,4.7 ohm,+/-5%,	2	
	26	CC1100309250	C/C	104/100V,+80/-20%,Y5V	4	
	27	CC2100309010	M/C	104/100V,+/-5%	4	
	28	EC1470305120	E/C	0.47UF/50V,+/-20%,85?,F5*12mm	1	
	29	EC1100409120	E/C	1UF/100V,+/-20%,85?,F5*12mm	1	
	30	EC1470405120	E/C	4.7UF/50V,+/-20%,85?,F5*12mm	1	
?	31	EC1470503120	E/C	47UF/25V,+/-20%,85?,F5*12mm	1	

?	32	EC1100602120		E/C		100UF/16V,+/-20%,85?,F5*12mm	2
	33	EC1220602120		E/C		220UF/16V,+/-20%,85?,F6.3*12mm	1
	34	EC1220603121		E/C		220UF/25V,+/-20%,85?,F8*12mm	2
	35	EC1680705130		E/C		1000UF/35V,+50/-0%,85?,F13*21mm	2
	36	EC1100806130		E/C		10000UF/63V,+50/-0%,85?,F30*52mm	2
	37	CC8470115030		APPROVED CAP		472/400V,+/-20%,C/C,(NEED UL,CE APPROVED)	2
	38	CC8100214020		APPROVED CAP		103/275V,+/-20%,(NEED UL CE APPROVED)	1
?	39	IC0620731700		IC		TA7317P,SIP9	1
	40	ZD1012010000		ZENNER DIODE		12V,1/2W	1
	41	ZD1015020000		ZENNER DIODE		1W,15V	2
	42	DI0100400400		DIODE		1N4004,400V,1A	6
	43	DI0300080200		BRIDGE RECTIFIER		RS802,8A/200V	1
	44	TR0103018150		TR		2SC1815GR,150mA,50V,400mW,NPN	1
?	45	TR0103034210		TR		C3421,NPN	1
?	46	JA0102320000		SOCKET		2PIN,PITCH=4mm	1
	47	JA0103320000		SOCKET		3PIN,PITCH=4mm	1
	48	JA0104320000		SOCKET		4PIN,PITCH=4mm	3
	49	JA0103110000		3P SOCKET		2532-03-180 ,P=2.54mm	1
?	50	JA0105110000		5P SOCKET		2532-05-180 ,P=2.54mm	1
	51	JA0106110000		6P SOCKET		2532-06-180 ,P=2.54mm	2
	52	SW0900000000		POWER SWITCH		8212-2(CHILY),WITH M3.0*0.5mm SCREW THREAD	1
	53	PD6000000000		SLIP		E665	3
?	54	RE8010012000		RELAY		12V,DW321-D12S,(10A)	1

BOM

PE-QT-016-A							
?	PRODUCT		HOME AMP		MODEL	RA300(2*150W) AMP POWER INDICATOR PARTS	PAGE
?	NO.	PART NO.		MATERIAL		SPECIFICATION	QTY
?	1	CB1017901000		PCB		RA500LED,V1.1 (125*40mm),2OZ	1
	2	JP1080500000		JUMER		F0.8*5mm	3
	3	RR0147000210		C/R		1/8W,470 ohm,+/-5%,	2
	4	RR0111010210		C/R		1/8W,1.1K ohm,+/-5%,	4
	5	RR0115010210		C/R		1/8W,1.5K ohm,+/-5%,	3
	6	RR0122010210		C/R		1/8W,2.2K ohm,+/-5%,	2
	7	RR0127010210		C/R		1/8W,2.7K ohm,+/-5%,	2
	8	RR0147010210		C/R		1/8W,4.7K ohm,+/-5%,	2
	9	RR0110020210		C/R		1/8W,10K ohm,+/-5%,	2
?	10	RR0133020210		C/R		1/8W,33K ohm,+/-5%,	2
	11	RR0147020210		C/R		1/8W,47K ohm,+/-5%,	2
	12	RR0175020210		C/R		1/8W,75K ohm,+/-5%,	2
	13	RR0110030210		C/R		1/8W,100K ohm,+/-5%,	2
	14	RR0122030210		C/R		1/8W,220K ohm,+/-5%,	2
	15	CC1100105520		C/C		102/50V,+/-10%,Y5P	2
	16	EC2330305120		MINI E/C		0.33UF/50V,+/-20%,85?,F5*7mm	2
	17	EC2100505120		MINI E/C		10UF/50V,+/-20%,85?,F5*7mm	6
	18	EC1100806130		MINI E/C		47UF/16V,+/-20%,85?,F5*7mm	1
	19	IC1120140300		IC		LB1403N,SIP9	4
?	20	DI0100414800		DIODE		1N4148,75V,200mA,1/2W	2
?	21	LD0245580100		LED		GREEN,LX7030,5*1mm,5*2.8mm	18
	22	LD0135580100		LED		RED,LX7030,5*1mm,5*2.8mm	2
?	23	LD0465580100		LED		YELLOW,LX7030,?5*1mm,?5*2.8mm	2
	24	LD1012205020		LED		2*5mm, RB432NC	1
	25	TR0103018150		TR		2SC1815GR,150mA,50V,400mW,NPN	2
?	26	AL5302000520		5P PLUG WIRE		5PIN,P=2.54mm,24#,UL1007,L=200mm	1

BOM

BOM						
?	PRODUCT	HOME AMP	MODEL	PE-QT-016-A	RA300(2*150W)PROFESSIONAL AMPLIFIER	PAGE
?	NO.	PART NO.	MATERIAL	SPECIFICATION		QTY
?	1	SM1018000000	RA300LED PARTS	2*150W AMP POWER INDICATORPCBPARTS		1
	2	SM1118000000	RA300PWRPARTS	2*150W AMP POWER BOARD PARTS PARTS		1
	3	SM1218000000	RA300DRV-LPARTS	2*150W AMP DRIVER BOARD PARTS(L CHANNEL)		1
	4	SM1218000001	RA300DRV-RPARTS	2*150W AMP DRIVER BOARD PARTS(R CHANNEL)		1
	5	SM0118000000	RA300ALPARTS	2*150W AMP BOARD PARTS(L CHANNEL)		1
	6	SM0118000001	RA300ARPARTS	2*150W AMP BOARD PARTS(R CHANNEL)		1
	7	FU2060125000	FUSE	5*20mm,GST6A250V(GST)FOR		1
		FU2030125000		115V,5TT3A250V(5TT)FOR 230V		
	8	FS2000000002	FUSE HOLDER	FH-B02		1
	9	TT2221322300	EI POWER TRANSFORMER	300W,AC115/230V INPUT, AC39.5V*2&20V*2 OUTPUT		1
	10	PP2102202800	MICA FILM	22*28mm		8
	11	WL2150120400	GND CABLE	L=150mm,18# YELLOW IN GREEN		1
	12	WL4120050570	UL1617CABLE	L=120mm,20# YELLOW		1
	13	WL4280050560	UL1617CABLE	L=280mm,20# YELLOW		1
	14	WL4280100570	UL1617CABLE	L=280mm,20#WHITE		1
	15	WL4220050500	UL1617CABLE	L=220mm,20#YELLOW,TINNING		1
	16	WL4180100560	UL1617CABLE	L=180mm,20#WHITE		1
	17	WL4250100560	UL1617CABLE	L=250mm,20#WHITE		1
	19	WL5801800410	4PINCABLE	L=180mm,18#,UL1015,PITCH=4mm		1
	20	HP1233110000	BINDING POST	A215BK ,GILD		2
	21	SW1100000000	VOLTAGE SELECT SWITCH	HF-308		1
	22	JA0403000002	POWER SOCKET	3PIN,3516-4)		1
	23	PT1040015000	THERMAL SLEEVE	F4*15mm,BLK		8
	24	PT1200040000	THERMAL SLEEVE	F20*40mm,BLK		1
	25	PT1250040000	THERMAL SLEEVE	F25*40mm,BLK		1
	26	PT1400040000	THERMAL SLEEVE	F40*40mm,BLK		1
	27	PB0600000000	BUSHING	F2.4*80mm		6
?	28	PB0600000001	BUSHING	F2.5*100mm		8
				METAL PARTS		
				PACKAGE		

BOM

BOM						
					PE-QT-016-A	
?	PRODUCT		HOME AMP		MODEL RA300(2*150W) MECHANIC PARTS	PAGE
?	NO.	PART NO.		MATERIAL	SPECIFICATION	QTY
?	1	MT0117925800		TOP COVER	?1.50MM????BLK??	1
	2	MT0718025800		BOTTOM COVER	?1.50MM????BLK??	1
	3	MT1018025800		LEFT SIDE PANEL	?1.50MM????BLK??	1
	4	MT1018025801		RIGHT SIDE PANEL	?1.50MM????BLK??	1
	5	PL1617911700		VR SWITCH	ABS ???	2
	6	PM2000000000		PLASTIC FOOT	BLK??,SR-80?	4
	7	PM2005017001		PLASTIC FOOT	F17*5*4mm	4
	8	PM1008008002		FOAM	8*8*3mm,????	1
	9	PM1008090000		FOAM	90*8*2mm,????,??	2
	10	PL2618040300		LENS	PC???	1
	11	PL2718040100		LED BRACKET	ABS BLACK	1
	12	PL0118040300		PLATE	PA765+ SMOKY GRAY	1
	13	PL1717910100		SWITCH BUTTON	ABS RED	1
	14	PL1017911700		??	ABS SILIVER	1
	15	PL1117920501		LED COVER	PS SEMITRANSPARENT WHITE	1
?	16	HS0818030100		LEFT HEAT SINK	ANODIZE ALUMUN BLK	1
	17	HS0818030101		RIGHT HEAT SINK	ANODIZE ALUMUN BLK	1
	18	PC5403071300		COPPER	??M4*4?+M3*8???	6
	19	PC5403071000		COPPER	??M3*10	4
	22	SC3005206110		SCREW	M3*5 ROUND BLK	3
	21	SC3006206110		SCREW	M3*6 ROUND BLK	7
	31	SC3008206110		SCREW	M3*8 ROUND BLK	4
	32	SC3008206120		SCREW	M3*8 ROUND ??	1
	29	SC3010206110		SCREW	M3*12ROUND BLK	8
	30	SC3014206110		SCREW	M3*14 ROUND BLK	1
	23	SC4006206110		SCREW	M4*6 ROUND BLK	4
	24	SC4010206110		SCREW	M4*10 ROUND BLK	16
	26	SC3006203110		SCREW	M3*6 ?? BLK	2
	20	SC3006208110		SCREW	M3*6 ?? BLK	16
	25	SC4012208150		SCREW	M4*12 ?? ??	4
	28	SC4014208110		SCREW	M4*14 ?? BLK	4

?	33	SC4006212130		SCREW	M4*6 ???(??) ??	4
?	27	SC3006102210		SCREW	3*6 ????? BLK	10
	34	MS2113055250		NUT	M3 BLK	1
	35	MS2133055250		NUT	M3 NICKEL	1
	36	MS2114070300		NUT	M4BLK	4
	37	MS1114210100		FLAT WASHER	OD10*ID4.2*1.0THK BLACK	4
?	38	MS1113210100		FLAT WASHER	OD10*ID3.2*1.0THK BLACK	9
	39	MS1113208080		FLAT WASHER	OD8*ID3.2*0.8THK BLACK	4
	40	MS1113206030		FLAT WASHER	OD6*ID3.2*0.3THK BLACK	3
	41	MS1123210100		STAR WASHER	OD10*ID3.2*1.0THK ???	1
?	42	MS1324210100		STAR WASHER	OD10*ID4.2*1.0THK ?? ???	4

BOM

BOM					
				PE-QT-016-A	
?	PRODUCT		HOME AMP	MODEL RA300(2*150W) PACKAGE	PAGE
?	NO.	PART NO.	MATERIAL	SPECIFICATION	QTY
?	1	PW3112220000	POWER SUPPLY CABLE	3PIN DOUBLE INSULATE ULPOWER CABLE, 18#,21-00628-02	1
	2	PA1120280300	PE BAG	120*280*0.1mm	1
	3	PA1370660300	PE BAG	370*660*0.1mm	1
	4	PA1240350300	PE BAG	240*350*0.1mm	1
	5	PA1060120100	PE BAG	60*120*0.06mm	1
	6	LB1797020000	MANNUAL	RA????	1
	7	LB1791020000	WARRANTY CARD	??	1
	8	LB1790020001	SERVICE ADRESS	??	1
	9	LB1790020000	???	??	1
?	10	PR1790600000	MODEL STIKER	??	1
	11	LB1790020002	COLOR PAPER	???	1
	13	PR1800200000	BAR CORD(LARGE)	??	2
*	14	PR1800200001	BAR CORA(SMALL)	??	6
	15	PR1790000001	QC LABEL	??	1
	16	PR1790000000	GND STIKER		1
	17	PR0001100000	ORIGINAL STIKER	MADE IN CHINA	1
	18	AS0200000000	DESICCANT		2
	19	XB1800705000	POLY FOAM	RA300	2
	20	XB1800300000	GIFT BOX	RA300	1
?	21	XB1800420000	CARTON	RA300	1/2