

ALESIS

SUMO 300 (GK1)

Service Manual

P/N: 8-31-0152-A

ATTENTION!

THIS DOCUMENT CONTAINS SENSITIVE
PROPRIETARY INFORMATION.
ALL RECIPIENTS MUST HAVE A CURRENT
NON-DISCLOSURE AGREEMENT ON FILE
WITH ALESIS, LLC.

**DO NOT MAKE ILLEGAL
COPIES OF THIS DOCUMENT**

The information in this document contains privileged and confidential information. It is intended only for the use of those authorized by Alesis. If you are not the authorized, intended recipient, you are hereby notified that any review, dissemination, distribution or duplication of this document is strictly prohibited. If you are not authorized, please contact Alesis and destroy all copies of this document. You may contact Alesis at servicemanuals@alesis.com or at support@alesis.com.

Copyright © 2004 Alesis, LLC

Preface

This document is intended to assist the service technician in the operation, maintenance and repair of the Alesis device. Together with the User Reference Manual, this document provides a complete description of the functionality and serviceability of the Device. Any comments or suggestions you may have pertaining to the document are welcome and encouraged.

READ THIS!

In addition to any purchase price that Alesis may charge as consideration for Alesis selling or otherwise transferring this service manual ("Manual") to you, if you are not a service and repair facility ("Service Center") authorized by Alesis in writing to be an authorized Service Center, Alesis sells or transfers the Manual to you on the following terms and conditions:

Only Service Centers authorized by Alesis in writing are authorized to perform service and repairs covered by an Alesis warranty (if any), and transfer of the Manual to you does not authorize you to be an authorized Service Center. **Therefore, if you perform, or if the Manual is used to perform, any service or repairs on any Alesis product or part thereof, any and all warranties of Alesis as to that product and any service contract with Alesis for that product shall be voided and shall no longer apply for such product, even if your services or repairs were done in accordance with the Manual.**

All service or repairs done by you or with reference to the Manual shall be solely your responsibility, and Alesis shall have no liability for any such repairs or service work. **All such service or repairs are performed at the sole risk of the person performing the service or repairs.** You agree that all such work will be performed in a competent, professional and safe manner at all times and to indemnify and fully hold Alesis and its successors and assigns harmless in the event of any failure to so perform.

Your purchase of the Manual shall be for your own ultimate use and shall not be for purposes of resale or other transfer.

As the owner of the copyright to the Manual, Alesis does not give you the right to copy the Manual, and you agree not to copy the Manual without the written authorization of Alesis. Alesis has no obligation to provide to you any correction of, or supplement to, the Manual, or any new or superseding version thereof.

Alesis shall have the right to refuse to sell or otherwise transfer repair parts or materials to you in its sole discretion. You shall not use, sell or otherwise transfer spare or replacement parts supplied by Alesis to you (i) to repair or be used in products manufactured for or by third parties or (ii) to any third parties for any purpose.

You shall not make any warranties or guarantees with respect to the products of Alesis or the use thereof on behalf of Alesis or in your own name.

The foregoing describes the entire understanding related to sale or transfer of the Manual to you, and no other terms shall apply unless in a writing signed by an authorized representative of Alesis.

All Trademarks are property of their respective companies.

Warnings

TO REDUCE THE RISK OF ELECTRIC SHOCK OR FIRE, DO NOT EXPOSE THIS PRODUCT TO WATER OR MOISTURE.



The arrowhead symbol on a lightning flash inside a triangle is intended to alert the user to the presence of un-insulated "dangerous voltage" within the enclosed product which may be of sufficient magnitude to constitute a risk of electric shock to persons.



The exclamation point inside a triangle is intended to alert the user to the presence of important operating, maintenance and servicing instructions in the literature which accompanies the product.

REPAIR BY ANY PERSON OR ENTITY OTHER THAN AN AUTHORIZED ALESIS SERVICE CENTER WILL VOID THE ALESIS WARRANTY.

PROVISION OF THIS MANUAL DOES NOT AUTHORIZE THE RECIPIENT TO COMPETE WITH ANY ALESIS DISTRIBUTOR OR AUTHORIZED REPAIR SERVICE CENTER IN THE PROVISION OF REPAIR SERVICES OR TO BE OR MAKE REPAIRS AS AN AUTHORIZED SERVICE CENTER.

ALL REPAIRS DONE BY ANY ENTITY OTHER THAN AN AUTHORIZED ALESIS SERVICE CENTER SHALL BE SOLELY THE RESPONSIBILITY OF THAT ENTITY, AND ALESIS SHALL HAVE NO LIABILITY TO THAT ENTITY OR TO ANY OTHER PARTY FOR ANY REPAIRS BY THAT ENTITY.

Regarding the Power Supply Fuse



CAUTION: The product under service may employ the use of a replaceable fuse. Danger of fire or electrocution if fuse is incorrectly replaced. Replace with only the same type or equivalent type recommended by the equipment manufacturer.

Regarding the Internal Battery



CAUTION: The product under service may employ the use of an internal battery. Danger of explosion if battery is incorrectly replaced. Replace only with the same or equivalent type recommended by the manufacturer. Dispose of used batteries according to the manufacturer's instruction.

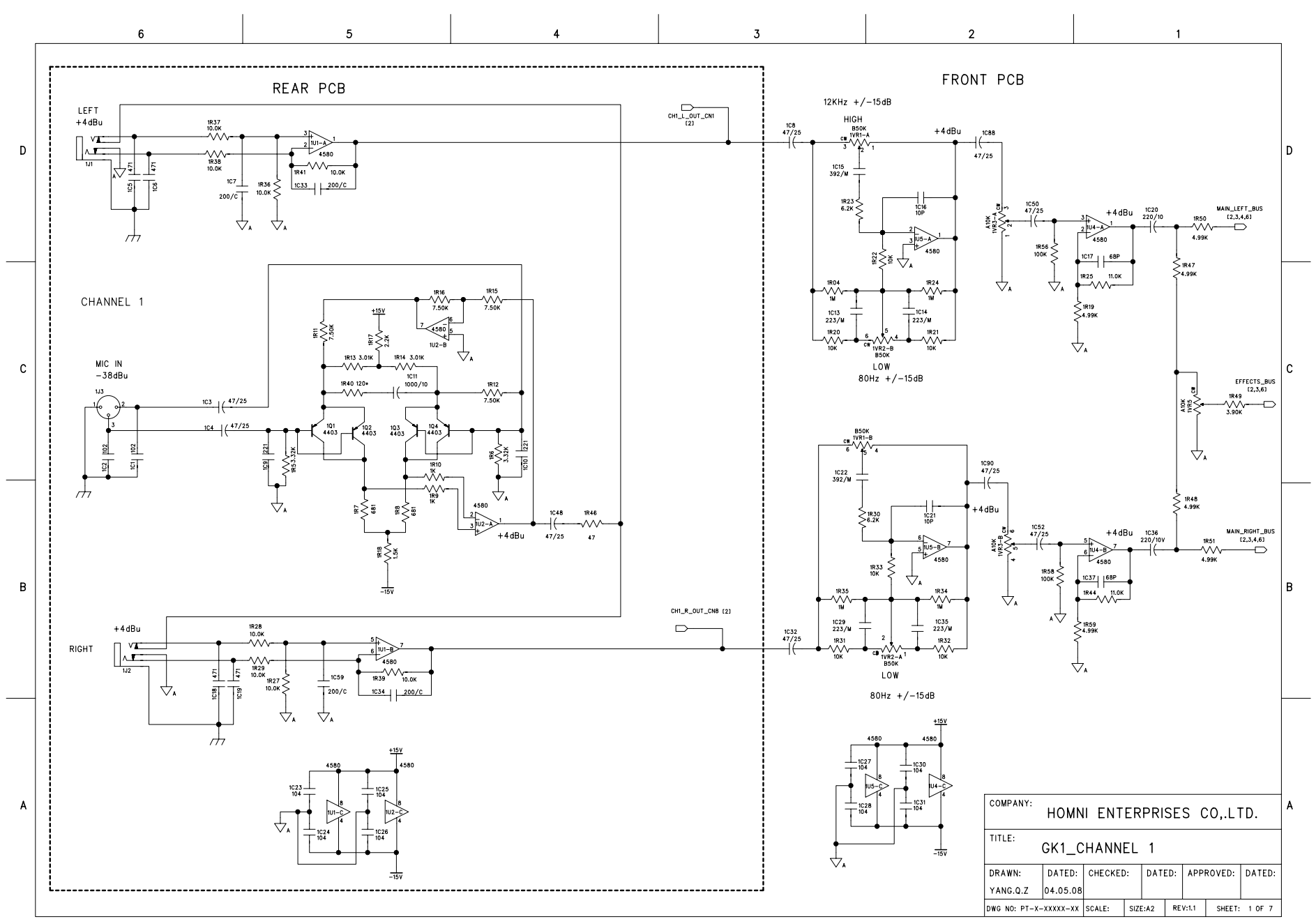
Safety Instructions

Carefully read the applicable items of the operating instructions and these safety suggestions before using this product. Use extra care to follow the warnings written on the product itself and in the operating instructions. Keep the operating instructions and safety suggestions for reference in the future.

1. Power Source. The product should only be connected to a power supply which is described either in the operating instructions or in markings on the product.
2. Power Cord Protection. AC power supply cords should be placed such that no one is likely to step on the cords and such that nothing will be placed on or against them.
3. Periods of Non-use. If the product is not used for any significant period of time, the product's AC power supply cord should be unplugged from the AC outlet.
4. Foreign Objects and Liquids. Take care not to allow liquids to spill or objects to fall into any openings of the product.
5. Water or Moisture. The product should not be used near any water or in moisture.
6. Heat. Do not place the product near heat sources such as stoves, heat registers, radiators or other heat producing equipment.
7. Ventilation. When installing the product, make sure that the product has adequate ventilation. Improperly ventilating the product may cause overheating, which may damage the product.
8. Mounting. The product should only be used with a rack which the manufacturer recommends. The combination of the product and rack should be moved carefully. Quick movements, excessive force or uneven surfaces may overturn the combination which may damage the product and rack combination.
9. Cleaning. The product should only be cleaned as the manufacturer recommends.
10. Service. The user should only attempt the limited service or upkeep specifically described in the operating instructions for the user. For any other service required, the product should be taken to an authorized service center as described in the operating instructions.
11. Damage to the Product. Qualified service personnel should service the unit in certain situations including without limitation when:
 - a. Liquid has spilled or objects have fallen into the product,
 - b. The product is exposed to water or excessive moisture,
 - c. The AC power supply plug or cord is damaged,
 - d. The product shows an inappropriate change in performance or does not operate normally, or
 - e. The enclosure of the product has been damaged.

ALESIS SUMO 300 (GK1)

SCHEMATIC AND PCB FILES



| | | | | | |
|----------------------------|---------------|----------|---------|-----------|---------------|
| COMPANY: | | | | | |
| HOMNI ENTERPRISES CO.,LTD. | | | | | |
| TITLE: | | | | | |
| GK1_CHANNEL 1 | | | | | |
| DRAWN: | DATED: | CHECKED: | DATED: | APPROVED: | DATED: |
| YANG.Q.Z | 04.05.08 | | | | |
| DWG NO: | PT-X-XXXXX-XX | SCALE: | SIZE:A2 | REV:1.1 | SHEET: 1 OF 7 |

6

5

4

3

2

1

D

C

B

A

D

C

B

A

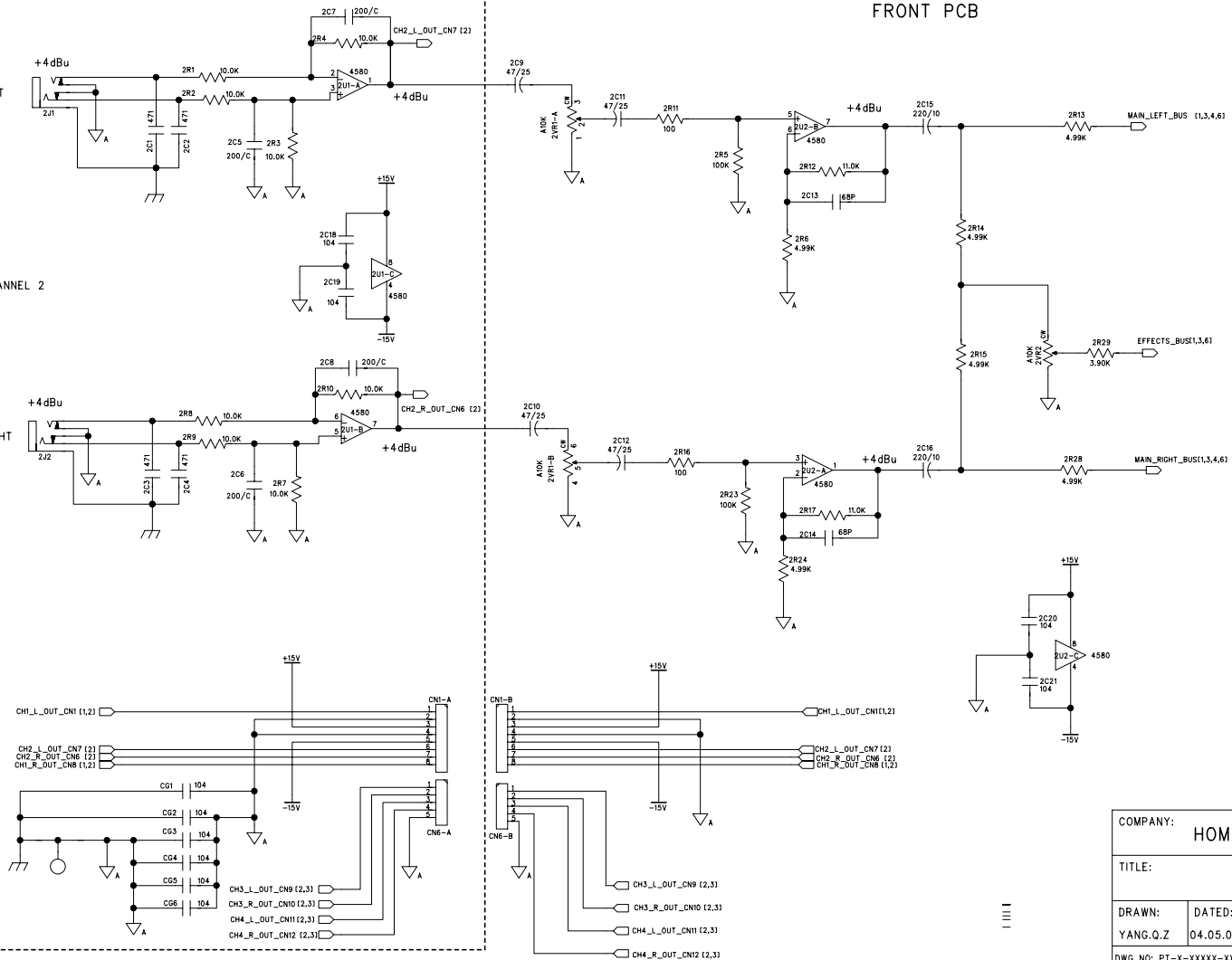
REAR PCB

FRONT PCB

LEFT

CHANNEL 2

RIGHT



| | | | | | |
|-------------------------------------|--------------------|----------|---------|---------------|--------|
| COMPANY: HOMNI ENTERPRISES CO.,LTD. | | | | | |
| TITLE: GK1-CHANNEL 2 | | | | | |
| DRAWN: YANG.Q.Z | DATED: 04.05.08 | CHECKED: | DATED: | APPROVED: | DATED: |
| DWG NO: PT-X-XXXX-XX | SCALE: | SIZE:A2 | REV:1.1 | SHEET: 2 OF 7 | |

6

5

4

3

2

1

D

C

B

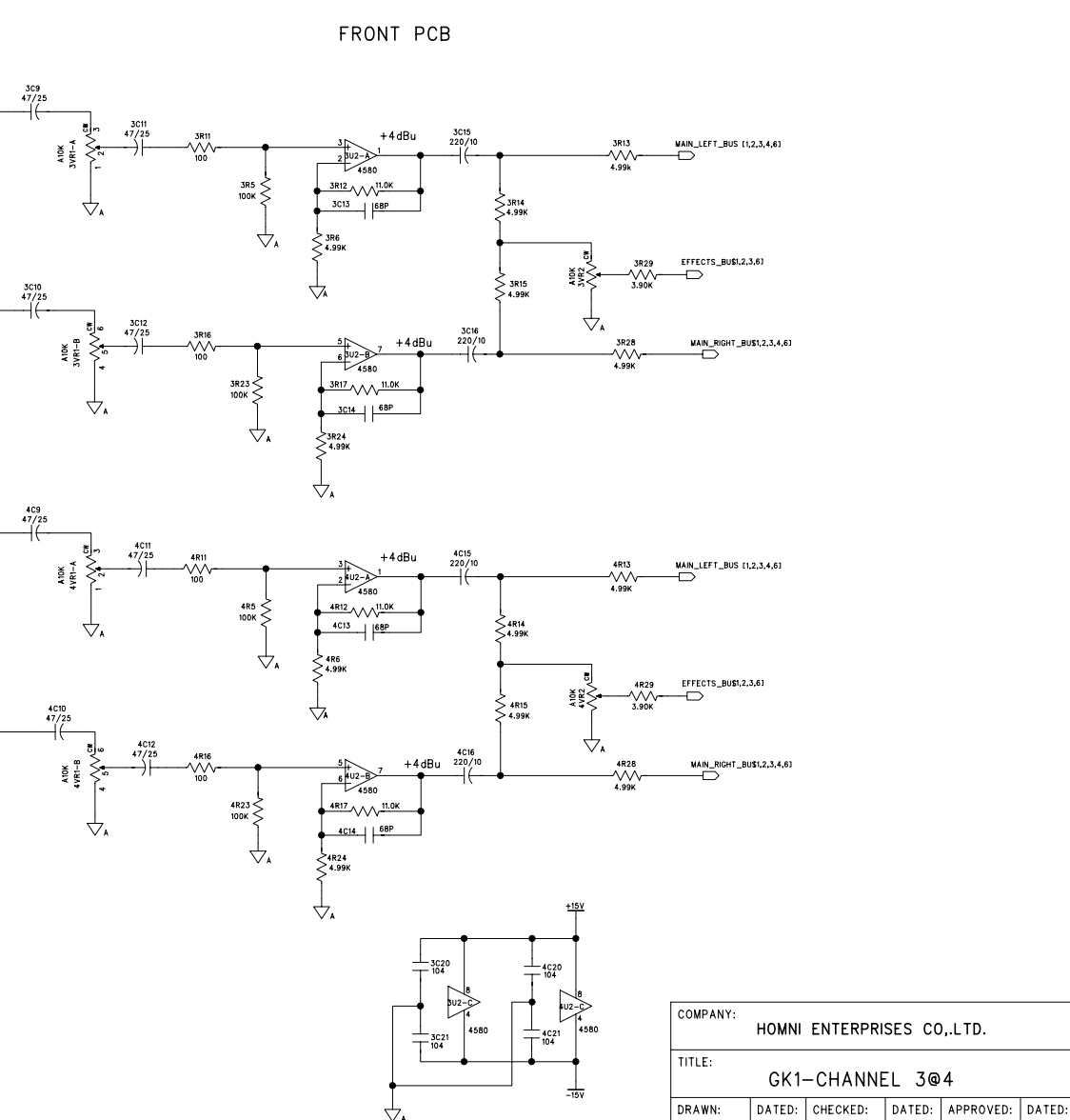
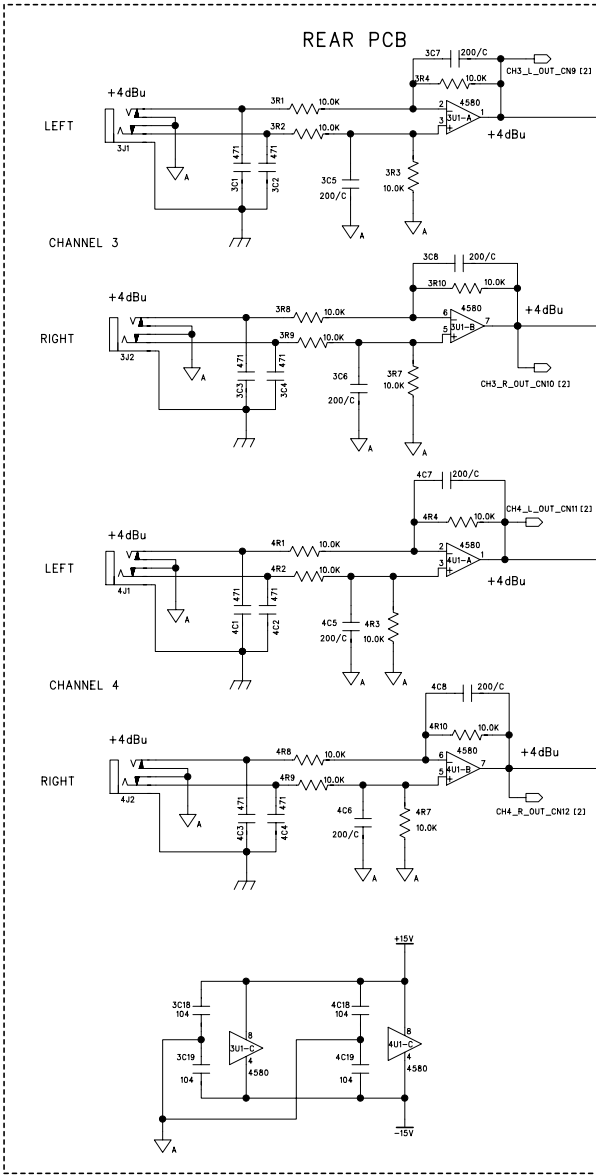
A

D

C

B

A



| | | | | | |
|-------------------------------------|-----------------|----------|----------|--------------|--------|
| COMPANY: HOMNI ENTERPRISES CO.,LTD. | | | | | |
| TITLE: GK1-CHANNEL 3@4 | | | | | |
| DRAWN: YANG.Q.Z | DATED: 04.05.08 | CHECKED: | DATED: | APPROVED: | DATED: |
| DWG NO: PT-X-XXXX-XX | SCALE: | SIZE:A2 | REV:1.00 | SHEET:3 OF 7 | |

6

5

4

3

2

1

D

C

B

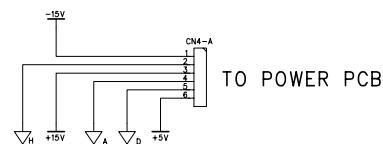
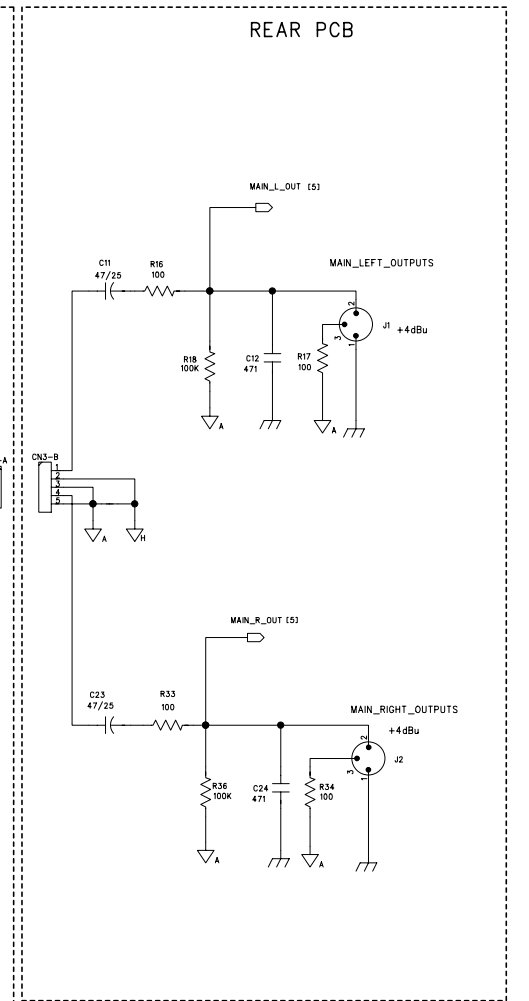
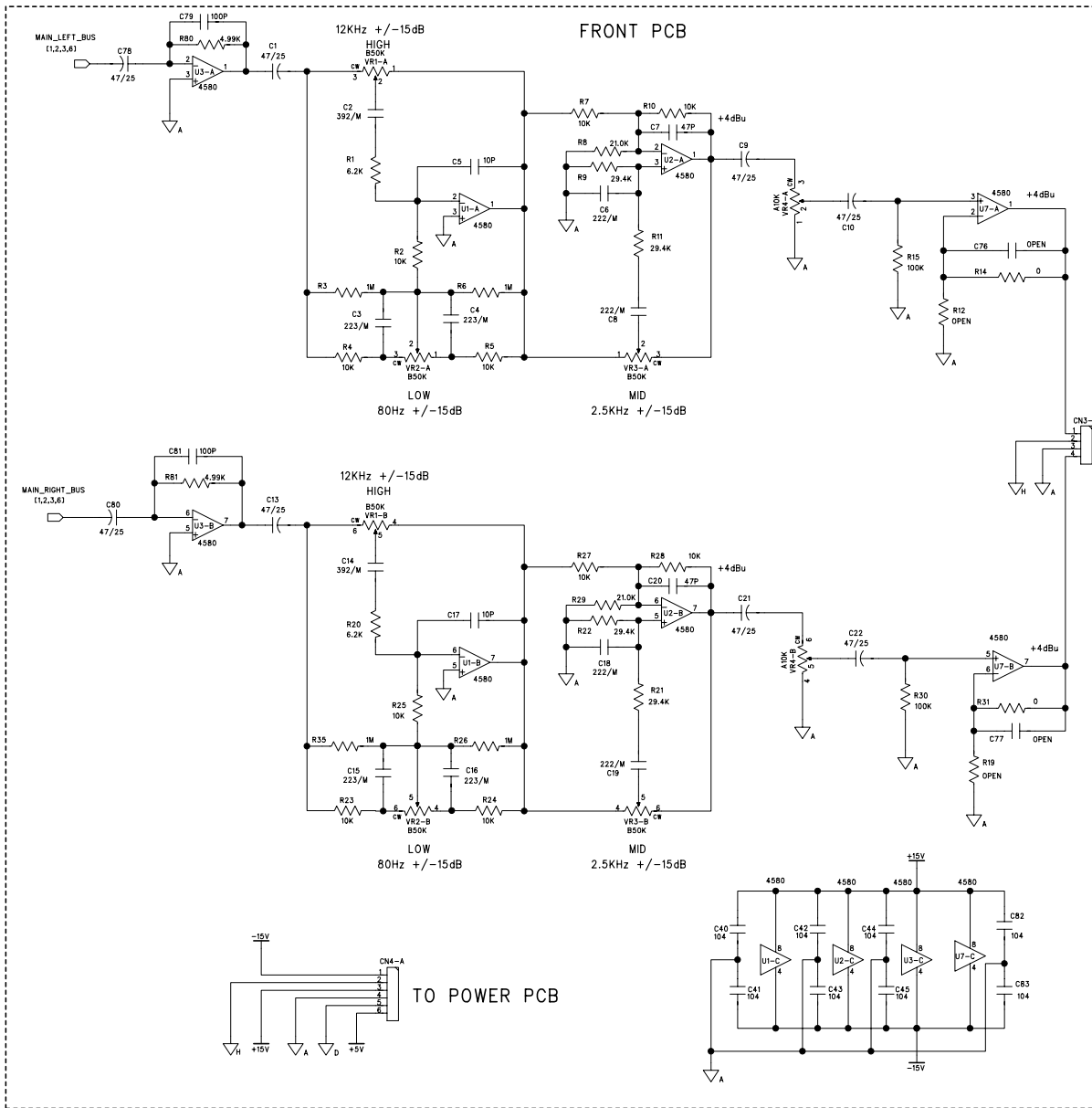
A

D

C

B

A



| | | | | | |
|-------------------------------------|-----------------|----------|---------|---------------|--------|
| COMPANY: HOMNI ENTERPRISES CO.,LTD. | | | | | |
| TITLE: GK1_MAIN OUT | | | | | |
| DRAWN: YANG.Q.Z | DATED: 04.05.08 | CHECKED: | DATED: | APPROVED: | DATED: |
| DWG NO: PT-X-XXXXX-XX | SCALE: | SIZE:A2 | REV:1.1 | SHEET: 4 OF 7 | |

6

5

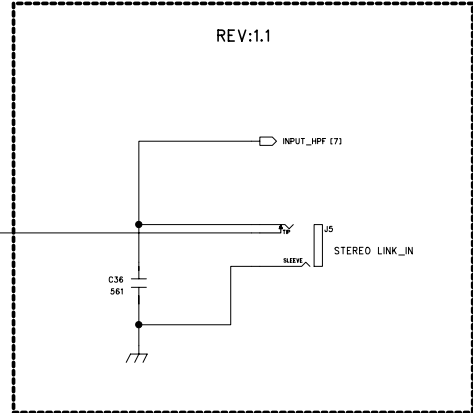
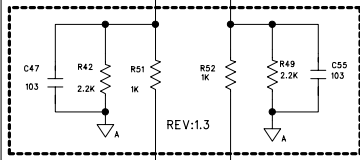
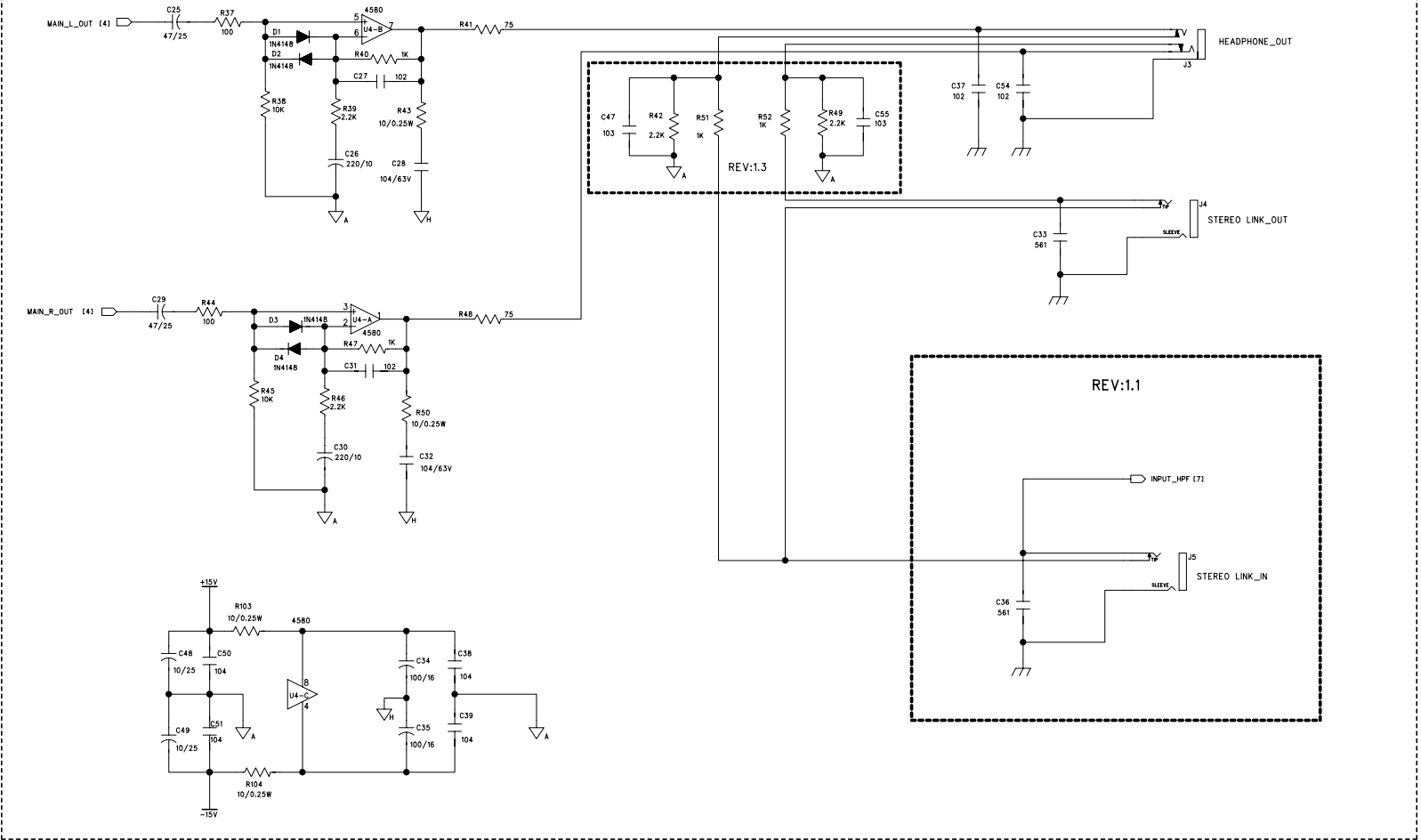
4

3

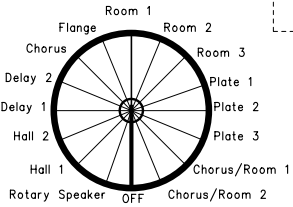
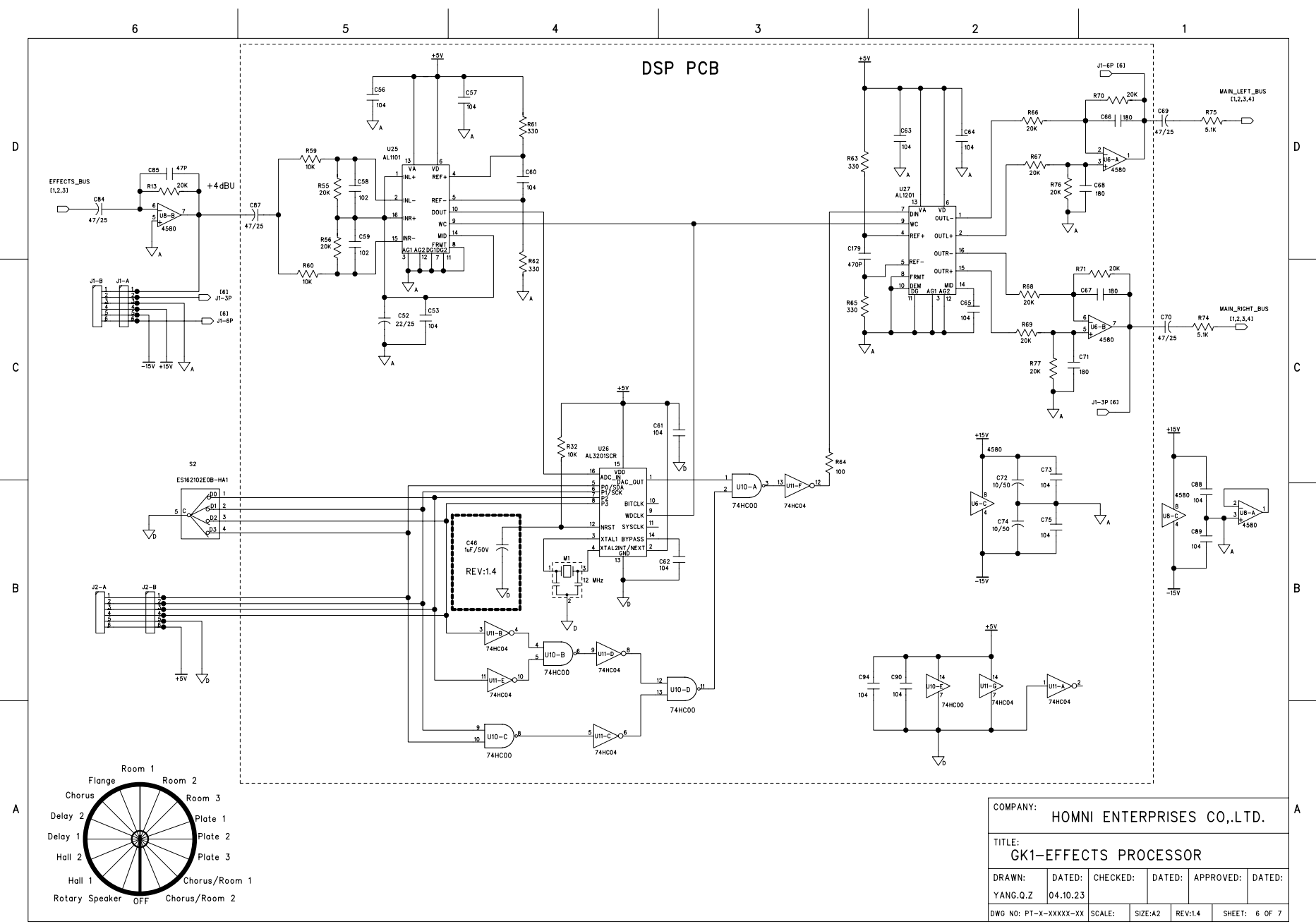
2

1

REAR PCB



| | | | | | |
|----------|--------------|----------------------------|---------|-----------|---------------|
| COMPANY: | | HOMNI ENTERPRISES CO.,LTD. | | | |
| TITLE: | | GK1 _HEADPHONE_OUT | | | |
| DRAWN: | DATED: | CHECKED: | DATED: | APPROVED: | DATED: |
| YANG.Q.Z | 04.07.03 | | | | |
| DWG NO: | PT-X-XXXX-XX | SCALE: | SIZE:A2 | REV:1.3 | SHEET: 5 OF 7 |



| | | | | | |
|-------------------------------------|-----------------|----------|---------|---------------|--------|
| COMPANY: HOMNI ENTERPRISES CO.,LTD. | | | | | |
| TITLE: GK1-EFFECTS PROCESSOR | | | | | |
| DRAWN: YANG.Q.Z | DATED: 04.10.23 | CHECKED: | DATED: | APPROVED: | DATED: |
| DWG NO: PT-X-XXXX-XX | SCALE: | SIZE:A2 | REV:1.4 | SHEET: 6 OF 7 | |

6

5

4

3

2

1

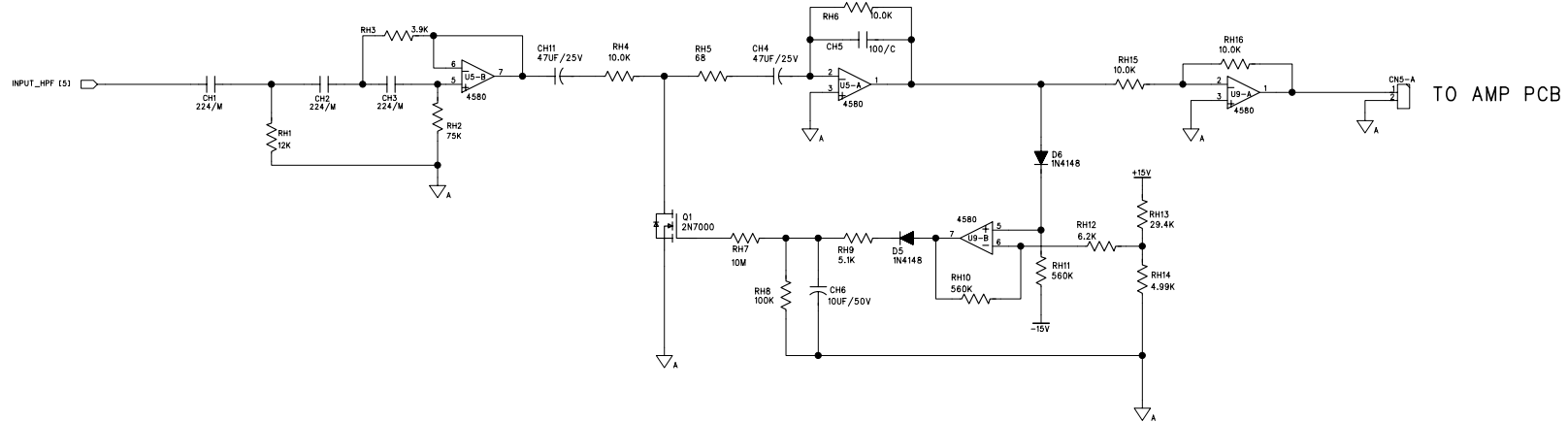
REAR PCB

REV:1.2

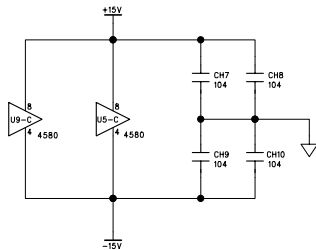
HP Filter

3 pole under-damped HPF, -3dB @ 45Hz

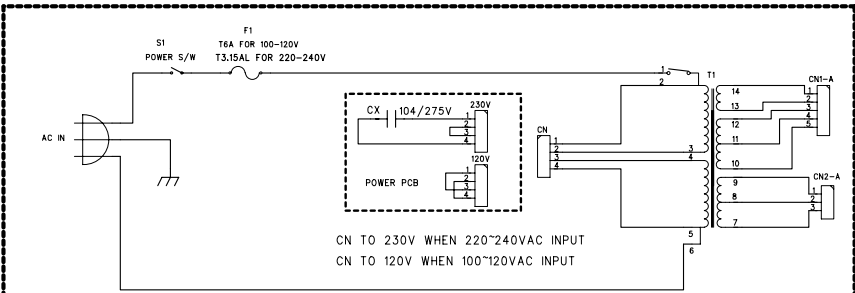
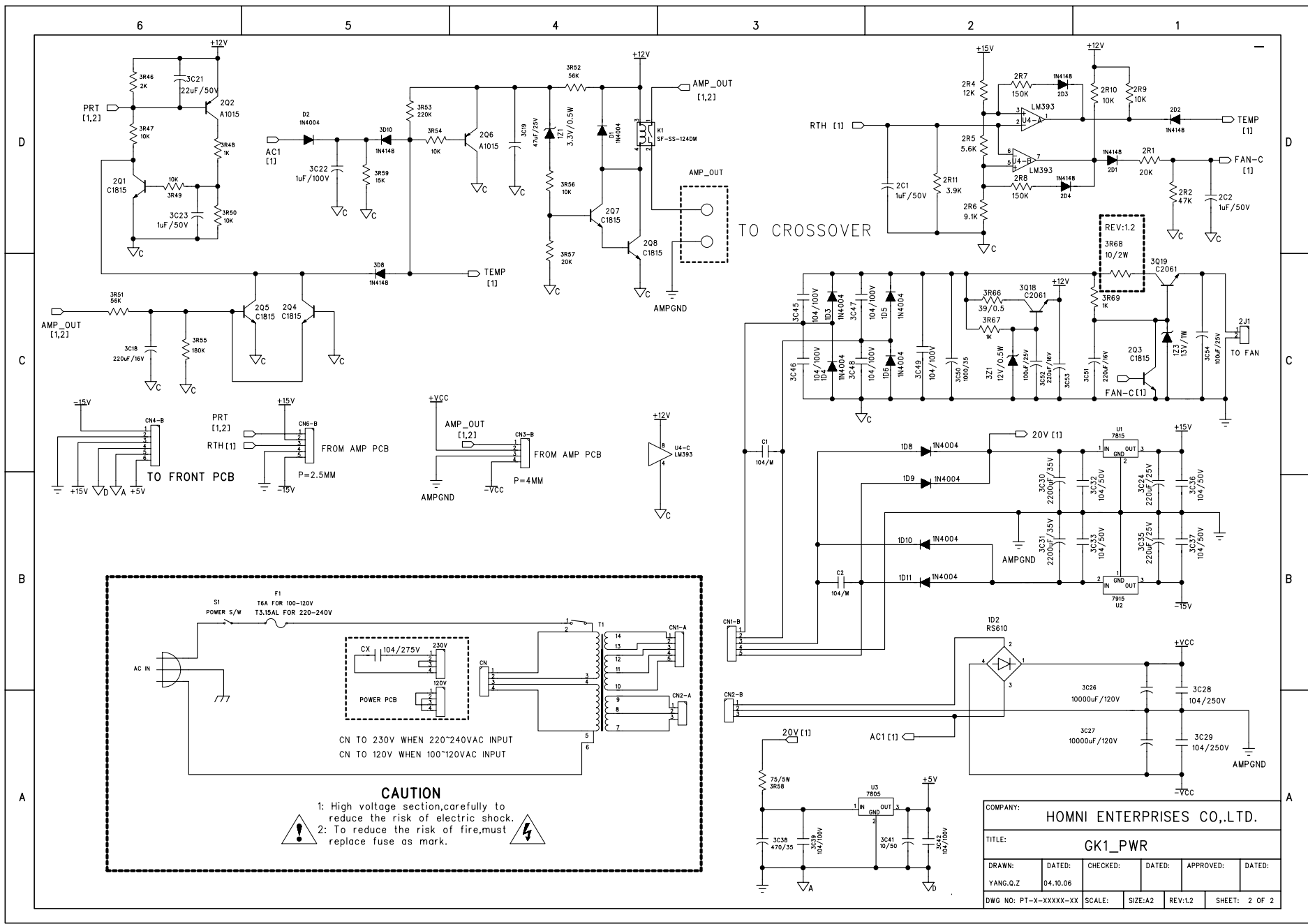
Limiter



TO AMP PCB



| | | | | | |
|-------------------------------------|-----------------|----------|---------|---------------|--------|
| COMPANY: HOMNI ENTERPRISES CO.,LTD. | | | | | |
| TITLE: GK1_LIMITER&HP FILTER | | | | | |
| DRAWN: YANG.Q.Z | DATED: 04.05.08 | CHECKED: | DATED: | APPROVED: | DATED: |
| DWG NO: PT-X-XXXX-XX | SCALE: | SIZE:A2 | REV:1.1 | SHEET: 7 OF 7 | |



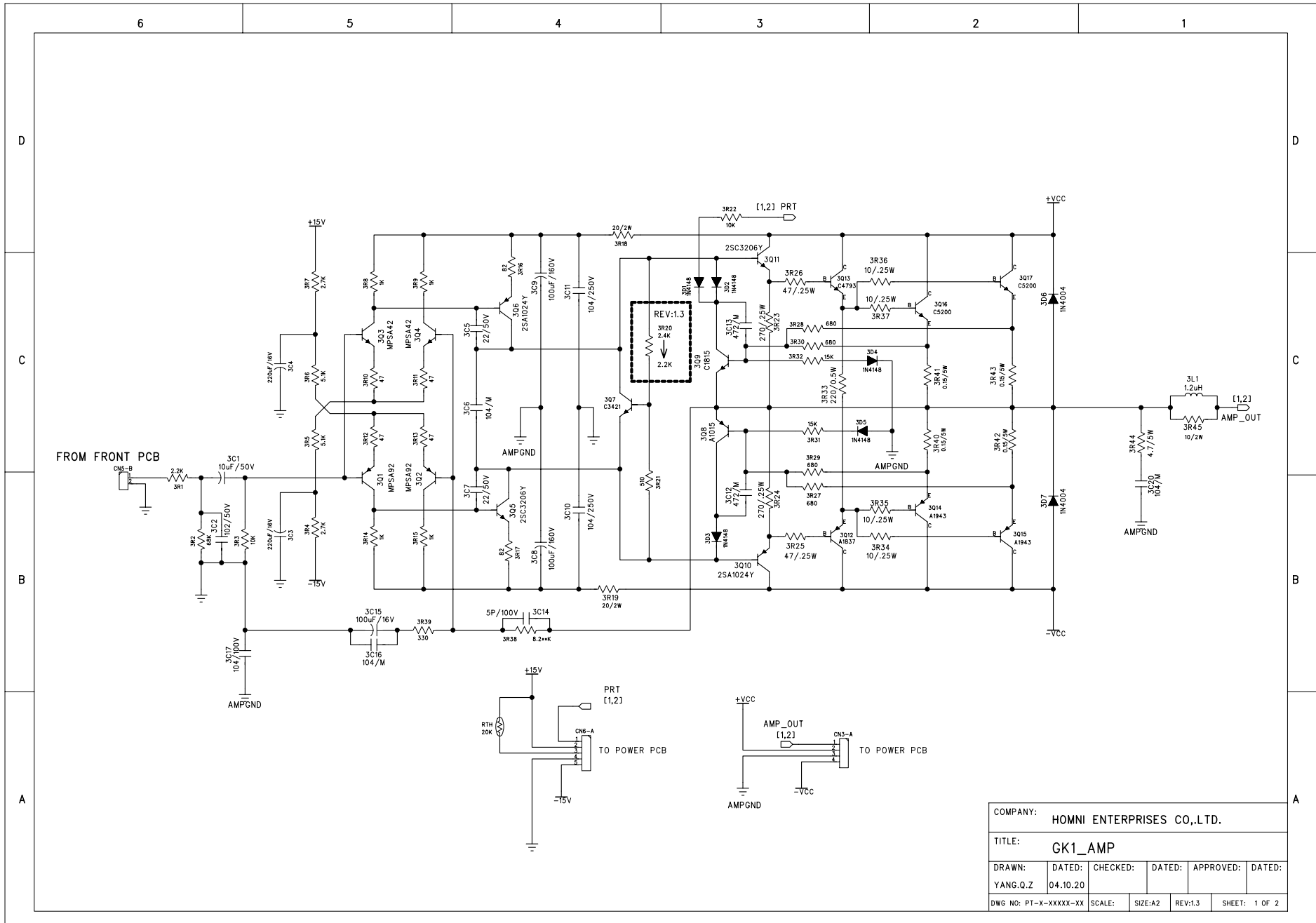
CAUTION

- 1: High voltage section, carefully to reduce the risk of electric shock.
- 2: To reduce the risk of fire, must replace fuse as mark.

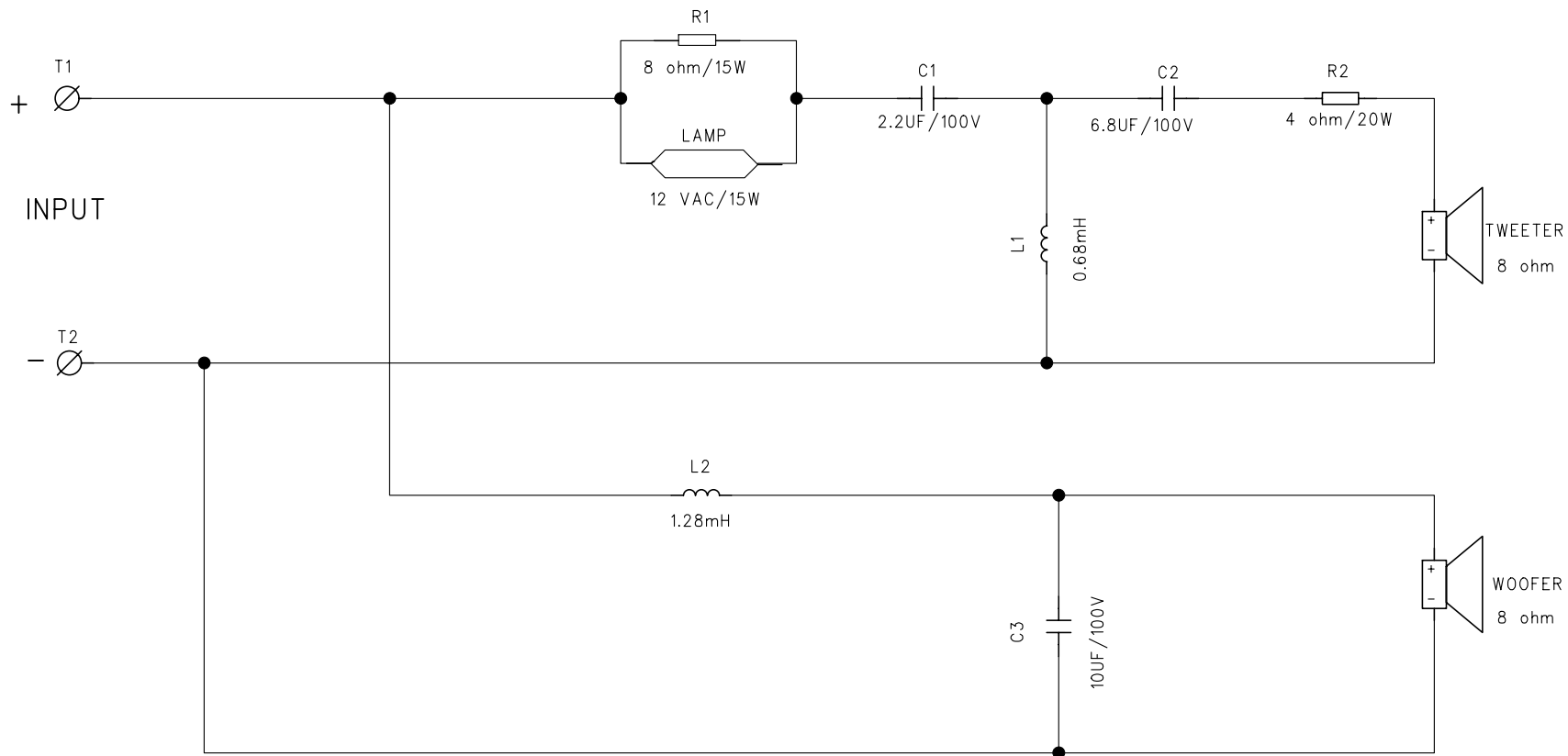
COMPANY: HOMNI ENTERPRISES CO.,LTD.

TITLE: GK1_PWR

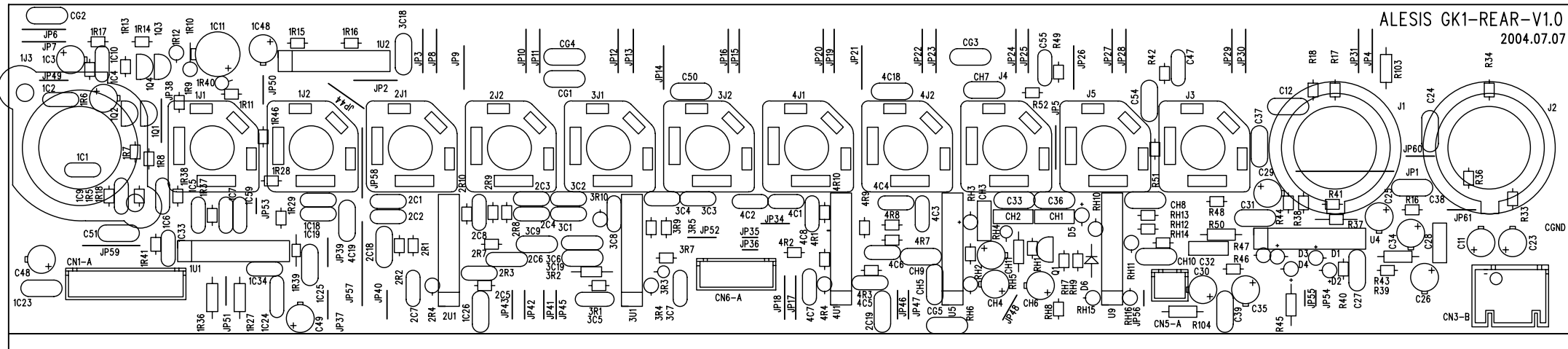
| | | | | | |
|----------------------|-----------------|----------|---------|---------------|--------|
| DRAWN: YANG.Q.Z | DATED: 04.10.06 | CHECKED: | DATED: | APPROVED: | DATED: |
| DWG NO: PT-X-XXXX-XX | SCALE: | SIZE:A2 | REV:1.2 | SHEET: 2 OF 2 | |



| | | | | | |
|-------------------------------------|-----------------|----------|---------|---------------|--------|
| COMPANY: HOMNI ENTERPRISES CO.,LTD. | | | | | |
| TITLE: GK1_AMP | | | | | |
| DRAWN: YANG.Q.Z | DATED: 04.10.20 | CHECKED: | DATED: | APPROVED: | DATED: |
| DWG NO: PT-X-XXXXX-XX | SCALE: | SIZE:A2 | REV:1.3 | SHEET: 1 OF 2 | |



| | | | | | | | | | |
|-----------------------|--------|----------|-----------|----------|----------------------------|--------|----------|-----------|--------|
| COMPANY: | | | | | HOMNI ENTERPRISES CO.,LTD. | | | | |
| TITLE: | | | | | GK1 CROSSOVER | | | | |
| DRAWN: | DATED: | CHECKED: | APPROVED: | DATED: | DRAWN: | DATED: | CHECKED: | APPROVED: | DATED: |
| | Xu Li | 04.07.29 | | | | | | | |
| DWG NO.: PT-X-XXXX-XX | | SCALE: | SIZE:A3 | REV:1.00 | SHEET: 1 OF 1 | | | | |

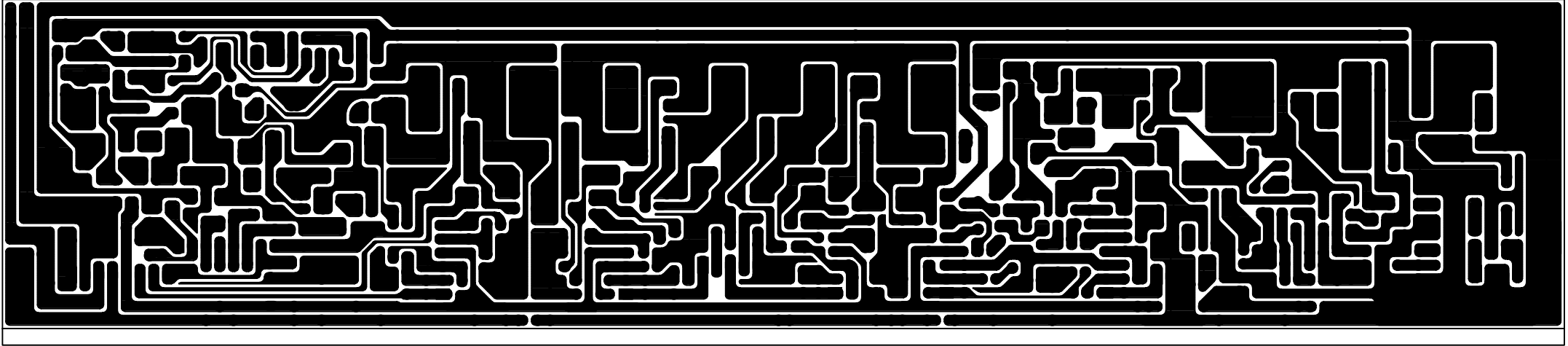


HOMNI ENTERPRISES CO.,LTD
GK1 REAR V1.0 04.07.21
SILKSCREEN TOP SIDE

DRAWN:

CHECKED:

APPROVED:

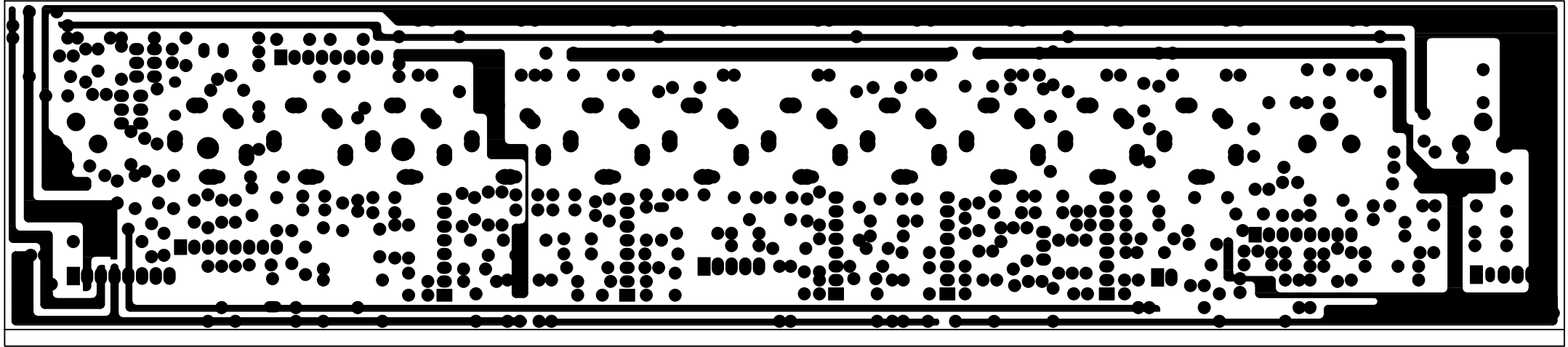


HOMNI ENTERPRISES CO.,LTD
GK1 REAR V1.0 04.07.21
SILKSCREEN BOTTOM SIDE

DRAWN:

CHECKED:

APPROVED:

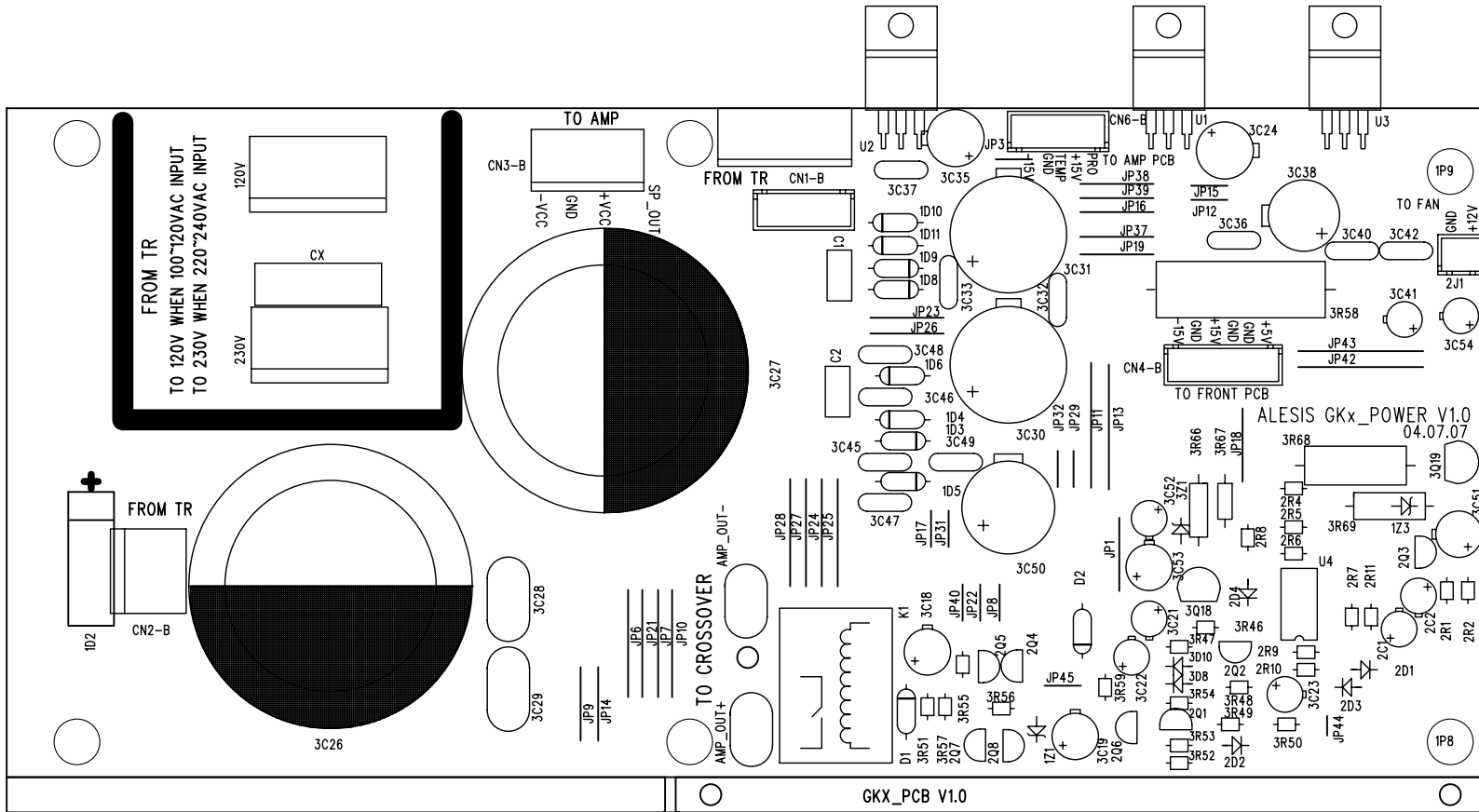


HOMNI ENTERPRISES CO.,LTD
GK1 REAR V1.0 04.07.21
BOTTOM SIDE

DRAWN:

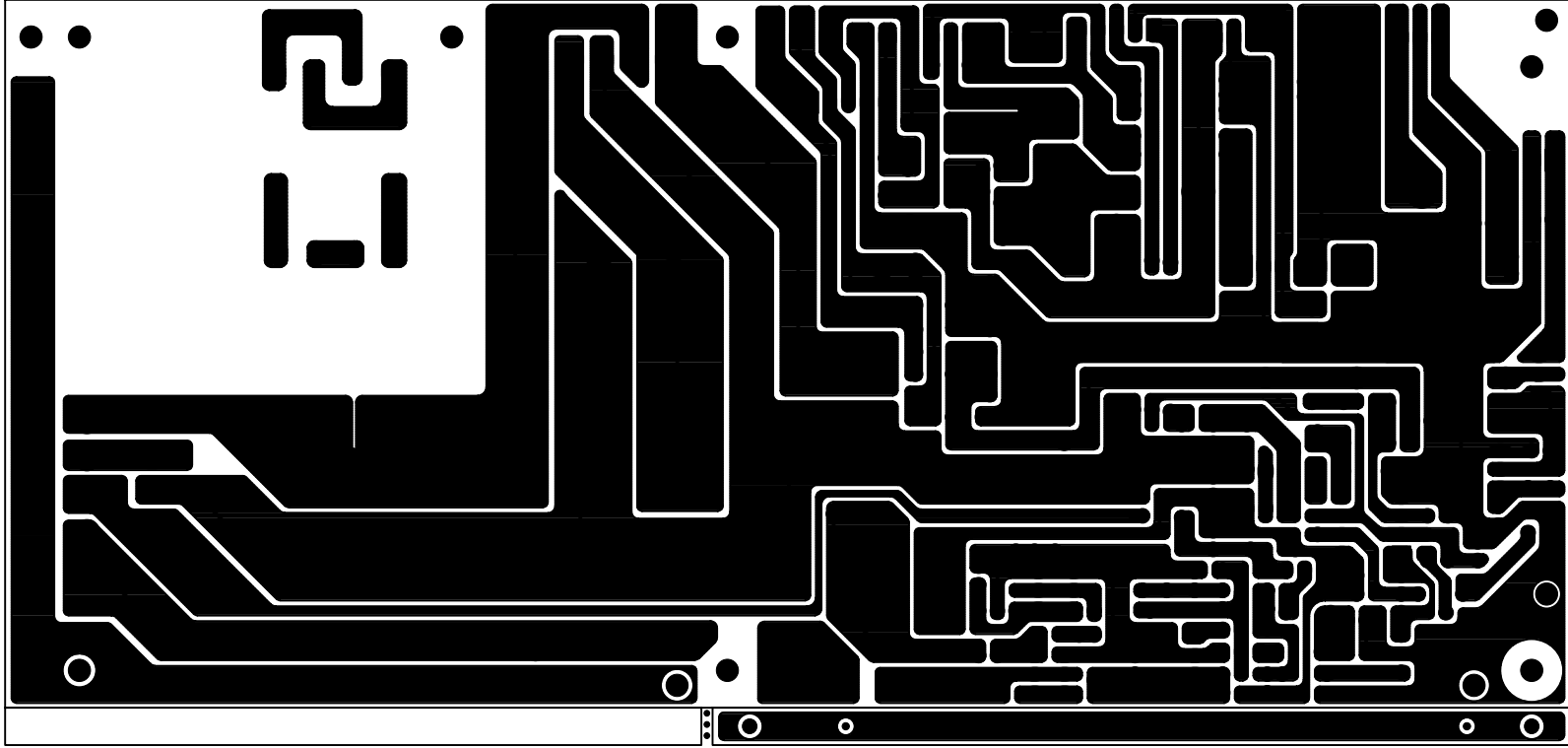
CHECKED:

APPROVED:



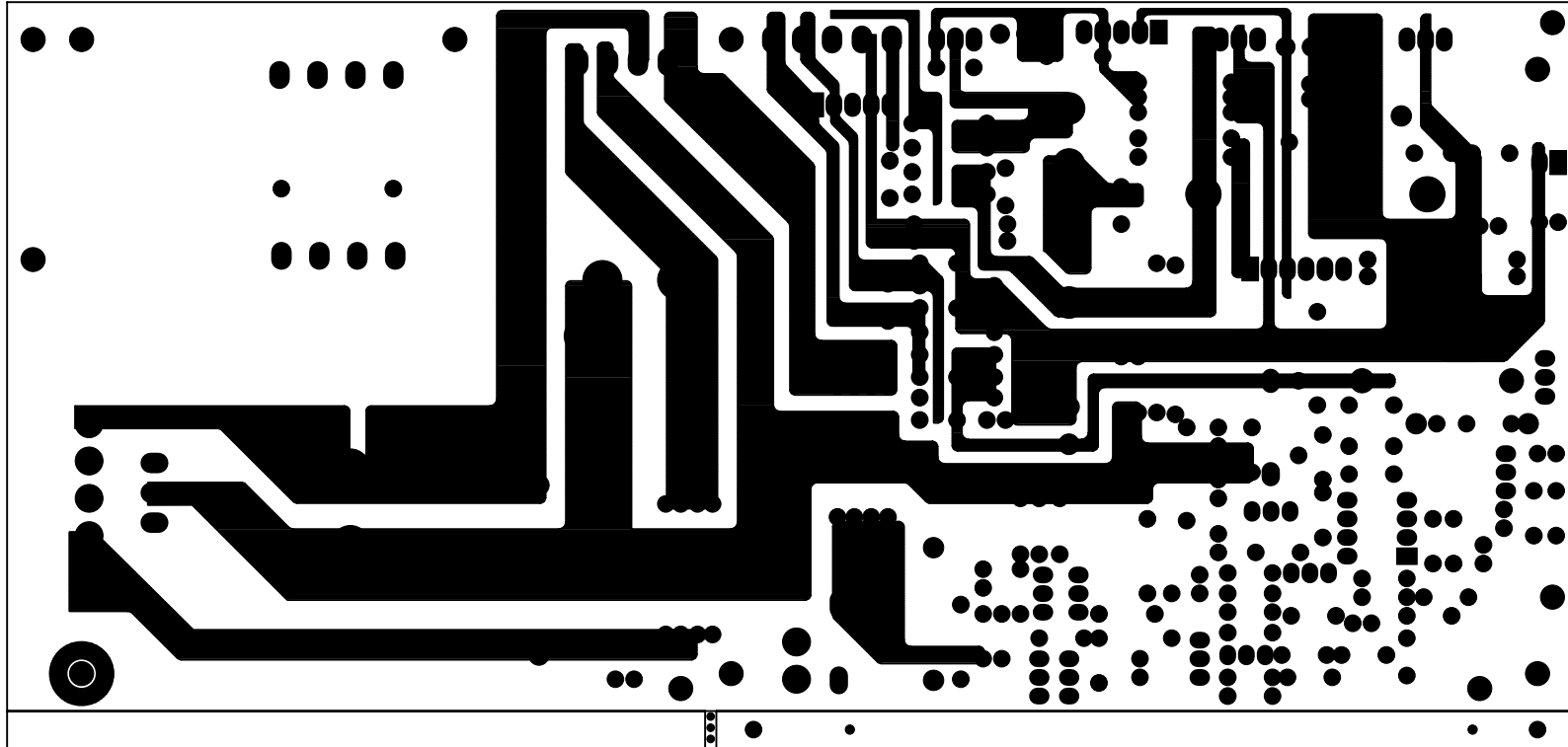
HOMNI ENTERPRISES CO.,LTD
 GKX POWER V1.0 04.07.21
 SILKSCREEN TOP SIDE

DRAWN: CHECKED: APPROVED:



SILKSCREEN BOTTOM SIDE
GKX POWER V1.0 04.07.21
HOMNI ENTERPRISES CO.,LTD

DRAWN:
CHECKED:
APPROVED:

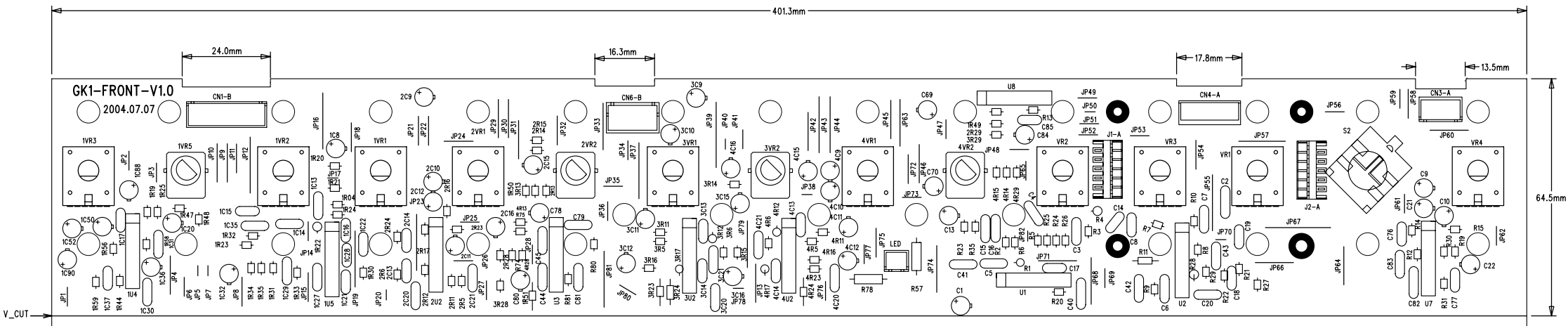


HOMI ENTERPRISES CO.,LTD
GKX POWER V1.0 04.07.21
BOTTOM SIDE

DRAWN:

CHECKED:

APPROVED:

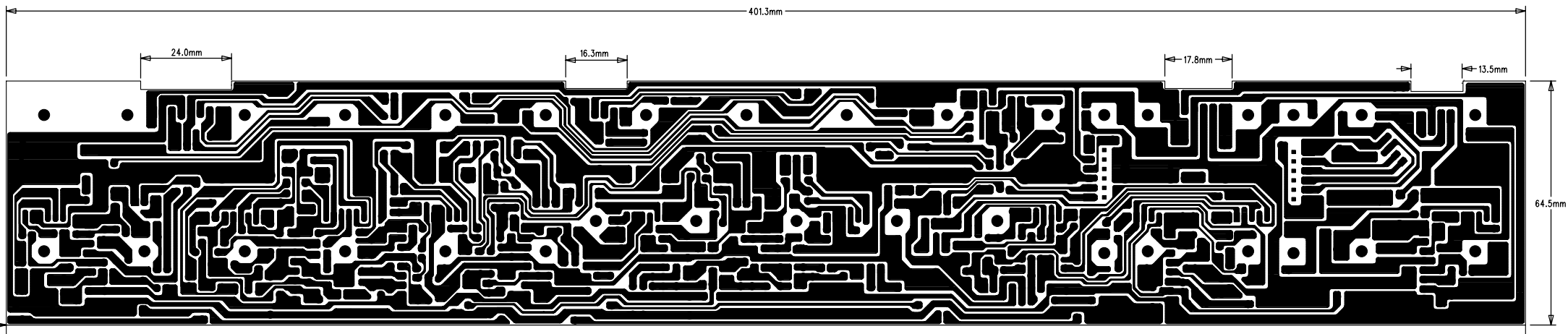


HOMMI ENTERPRISES CO.,LTD
 GK1 FRONT V1.0 04.07.21
 SILKSCREEN TOP SIDE

DRAWN:

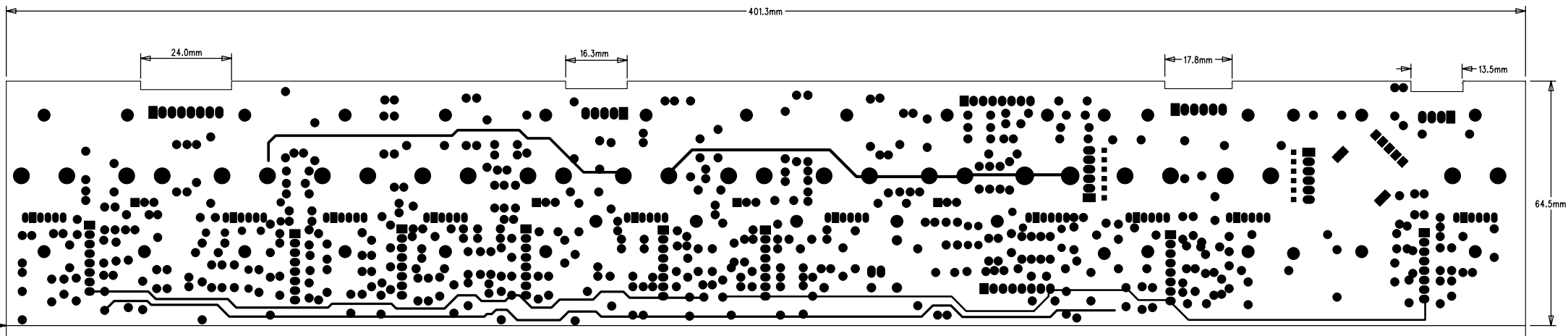
CHECKED:

APPROVED:



HOMI ENTERPRISES CO.,LTD
GK1 FRONT V1.0 04.07.21
SILSCREEN BOTTOM SIDE

DRAWN:
CHECKED:
APPROVED:

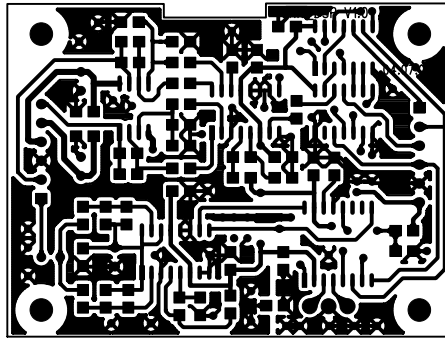


HOMMI ENTERPRISES CO.,LTD
 GK1 FRONT V1.0 04.07.21
 BOTTOM SIDE

DRAWN:

CHECKED:

APPROVED:

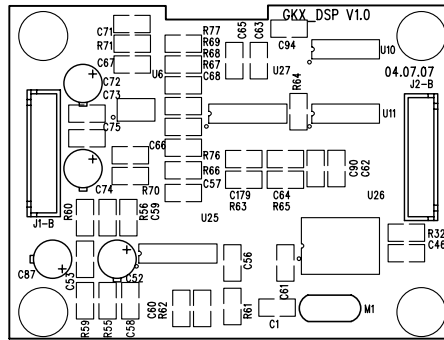


HOMNI ENTERPRISES CO.,LTD
GKX DSP V1.0 04.05.25
SILKSCREEN TOP SIDE

DRAWN:

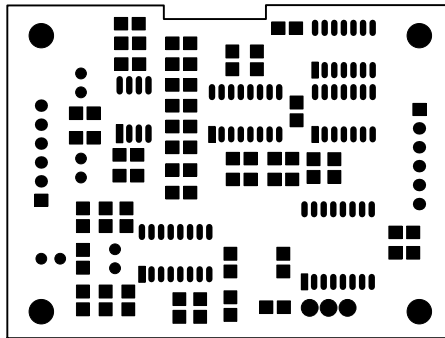
CHECKED:

APPROVED:



HOMNI ENTERPRISES CO.,LTD
 GKX DSP V1.0 04.05.25
 SILKSCREEN TOP SIDE

DRAWN: CHECKED: APPROVED:

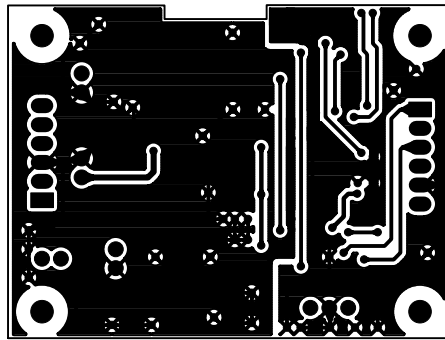


HOMNI ENTERPRISES CO.,LTD
MODELDFG V1.X YY.MM.DD
TOP SIDE

DRAWN:

CHECKED:

APPROVED:

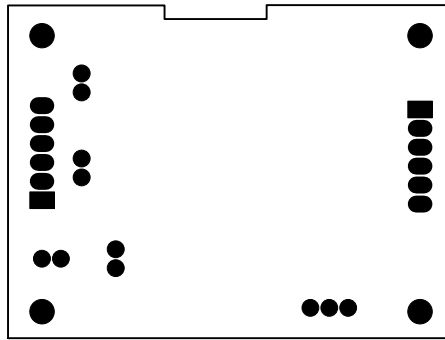


HOMMI ENTERPRISES CO.,LTD
GKX DSP V1.0 04.02.25
SILKSCREEN BOTTOM SIDE

DRAWN:

CHECKED:

APPROVED:

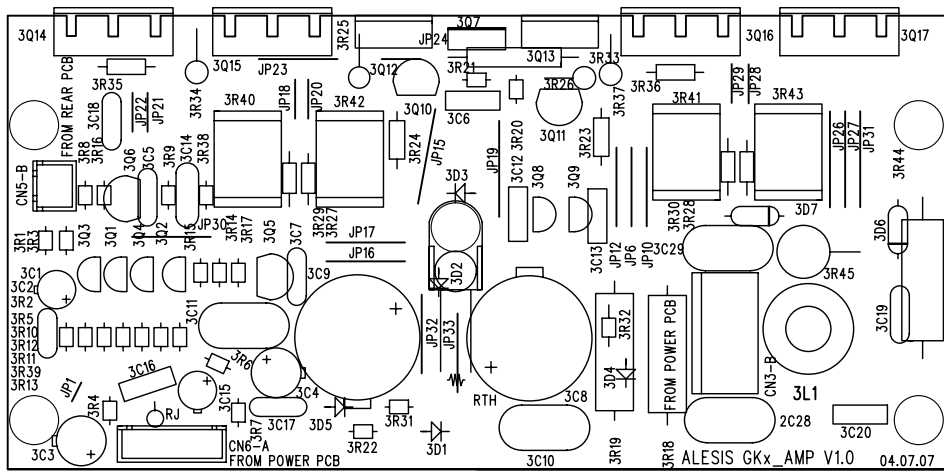


BOTTOM SIDE
GKX DSP V1.0 04.02.28
HOMNI ENTERPRISES CO.,LTD

APPROVED:

CHECKED:

DRAWN:

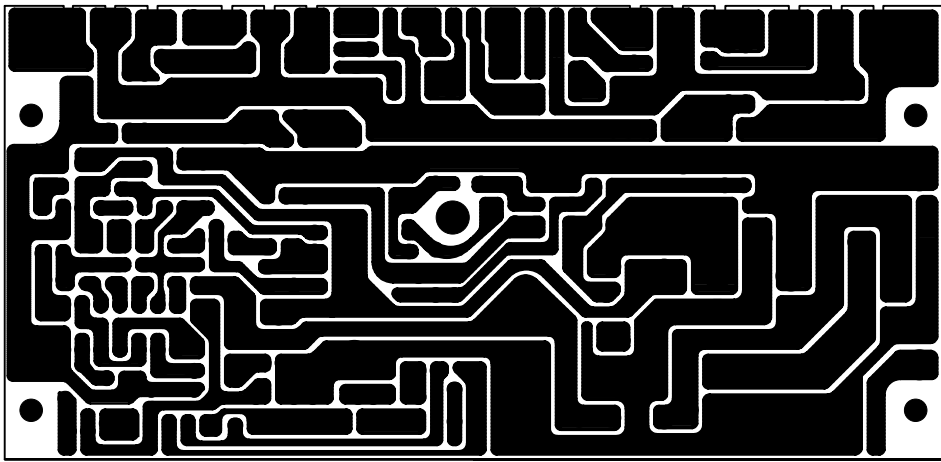


HOMNI ENTERPRISES CO.,LTD
 GKX AMP V1.0 04.07.21
 SILKSCREEN TOP SIDE

DRAWN:

CHECKED:

APPROVED:

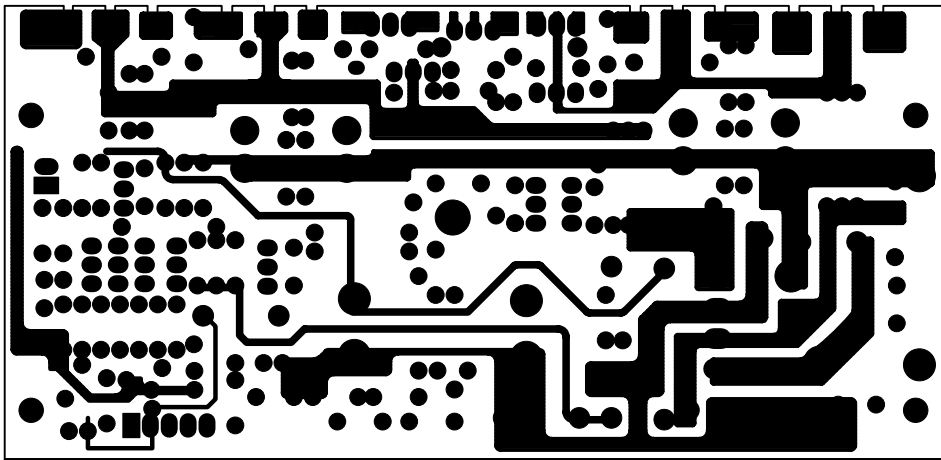


SILKSCREEN BOTTOM SIDE
GKX AMP V1.0 04.07.21
HOMNI ENTERPRISES CO.,LTD

DRAWN:

CHECKED:

APPROVED:



HOMNI ENTERPRISES CO.,LTD
GKX AMP V1.0 04.07.21
BOTTOM SIDE

DRAWN:

CHECKED:

APPROVED:

ALESIS SUMO 300 (GK1)

BOM

受控BOM

| 表格編號: RD-QT-020-B | | | 文件編號: RD-TD-020 | | | 頁次: 20-A/20 | |
|-------------------|----|-----------------|-----------------|-------------------|---|-------------|--|
| 版本: 1.3 | | 機種編: AC005(GK1) | | 文件序號: | | 生效日期: | |
| 層次 | 類別 | 編號 | 料號 | 物料名稱 | 規格描述 | 用量 | 位號及備註 |
| 03 | E | 1 | YK0GK10170B0 | power fuse label | GK1*110V",removing silvery dragon black bottom and silvery words | 1 | see the picture |
| | | | YK0GK10370B0 | power fuse label | GK1*230V",removing silvery dragon black bottom and silvery words | | see the picture |
| 03 | G | 1 | YD0GK100C900 | bar code sticker | GK1,white and bright dragon,white bottom,black words(UPC A) | 1 | see the picture |
| 03 | G | 2 | YD0GK100C901 | bar code sticker | GK1,white and bright dragon,white bottom and black words(UPC EAN-13) | 1 | see the picture |
| 03 | G | 3 | YB0GK100C900 | S/N label | GK1,white and bright dragon,white bottom and black words | 1 | see the picture |
| 03 | G | 4 | YP00115K0000 | jack label | DN-YP001,7MM*7MM,bright silvery dragon ,silvery bottom and black wire | 1 | see the picture(GND label 3) |
| 02 | G | 1 | A10000GK0080 | manual | GK0/GK1, various languages.(7-51-0189-A) | 1 | |
| | | | A10000GAX080 | manual | GAX ,various languages(7-51-0154-A) | 1 | |
| 02 | G | 2 | K11026015030 | packing bag | PE,150*260*0.08mm | 1 | load a manual |
| 02 | G | 3 | K11120028030 | packing bag | PE,120*280*0.08mm | 1 | load power cord |
| 02 | G | 4 | K11480052030 | packing bag | PE,(480+520)*1250*0.08mm,punching | 1 | load sound box |
| 02 | G | 5 | KC00000GK050 | paper plastic | GK0/GK1,have no orientation | 8 | see the picture |
| 02 | G | 6 | K90000GK1100 | gift box | GK1,multicolor silk-screen(two colors) | 1 | see the picture |
| 02 | G | 7 | YB0GK100C900 | S/N label | GK1,white and bright dragon,white bottom and black words | 2 | gift box |
| 01 | G | 1 | K30000GK1B00 | master carton | GK1,single silk-screen(black),V1.1 | 1 | see the picture |
| 01 | G | 2 | YD0GK100C900 | bar code sticker | GK1,white bright dragon,white bottom and black words(UPC A) | 2 | see the picture,adhibit outside the master carton |
| 01 | G | 3 | YD0GK100C901 | bar code sticker | GK1,white bright dragon,white bottom and black words(UPC EAN-13) | 2 | see the picture,adhibit outside the master carton |
| 01 | G | 4 | YB0GK100C900 | S/N label | GK1,white bright dragon,white bottom and black words | 2 | see the picture,adhibit outside the master carton |
| 01 | G* | 5 | YH0GA0002400 | destination label | GA0/GA1/GA2,copperplate paper,yellow bottom | 6 | 4PCSadhibit outside master carton,2PCS adhibit on gift box |
| 01 | G | 6 | A50050300000 | desiccant | 50克,silica gel,without weaving | 1 | |
| | | | | | | | |
| | | | | | | | |
| | | | | | | | |
| | | | | | | | |
| | | | | | | | |
| | | | | | | | |
| | | | | | | | |
| | | | | | | | |
| | | | | | | | |

擬制:

審核:

批准:

受控 BOM

| 表格編號: RD-QT-020-B | | | 文件編號: RD-TD-020 | | | 頁次: 19/20 | |
|-------------------|----|-------------------|-----------------|------------------------|--|-----------|--|
| 版本: 1.1 | | 機種編號: AC005 (GK1) | | 文件序號: | | 生效日期: | |
| 層次 | 類別 | 編號 | 料號 | 物料名稱 | 規格描述 | 用量 | 位號及備注 |
| 03 | E | 1 | PN2027313C00 | knob cap | DN-PN2027,D16*20.57mm,ABS,electroplating,silvery | 15 | same as GA0 |
| 03 | E | 2 | PE4004014W00 | decarated bar | DN-PE4004,ABS,spray-paint,PANTONE 专色 | 2 | see the picture |
| 03 | E | 3 | PE9003014W00 | nameplate box | DN-PE9003,ABS,spray-paint,PANTONE 专色 | 1 | same as GK0 |
| 03 | E | 4 | PE3010030S00 | plastic nameplate | DN-PE3010,PMMA,green-brown | 1 | same as GK1 |
| 03 | E | 5 | MC5093070000 | bottom cover | DN-MC5093,SECC,material | 1 | see the picture |
| | | | MC5093070270 | | DN-MC5093,SECC,black,baking lacquer | | |
| | | | MC5093079270 | bottom cover | DN-MC5093,SECC,silk-screenPANTONE 专色,black,baking lacquer | | |
| 03 | E | 6 | MH0004010P00 | heatsink | DN-MH0004,aluminous alloy,natural color | 1 | see the picture |
| 03 | E | 7 | MH3007010P00 | flat panel heatsink | DN-MH3007,aluminous alloy,natural color,material | 1 | see the picture |
| 03 | E | 8 | MC2133010000 | panel | DN-MC2133,aluminous alloy,material(front panel) | 1 | see the picture |
| | | | MC2133010270 | | DN-MC2133,aluminous alloy,black,baking lacquer | | |
| | | | MC2133019270 | panel | DN-MC2133,aluminous alloy,silk screen PANTONE 专色,black,baking lacquer | | |
| 03 | E | 9 | MB7003060000 | typeU bracket | DN-MB7003,SPCC,material | 1 | same as GK0 |
| | | | MB7003060270 | | DN-MB7003,SPCC,baking black flat light | | |
| 03 | E | 10 | PE60260D0900 | plastic sheet | DN-PE6026,PC,transparent | 1 | same as GK0 |
| 03 | E | 11 | MB1069206440 | copper stand off | DN-MB1069,M3screw hole with M3screw pole,5.6MM+4MM | 4 | lock amplifier board see the picture |
| 03 | E | 12 | MB1032112040 | copper stand off | DN-MB1032,two end M3screw hole,12MM | 4 | lock DSP |
| 03 | E | 13 | PSA10000S2M0 | screw cap | 品基,S-2M | 2 | supporting small PCB bar |
| 03 | *E | 14 | N10305661010 | screw | M3*5mm,daisy round head,screw head D5.5mm,machinery screw | 51 | lock amplifier (4PCS),fan cover(4PCS),power board(4PCS),front panel(30PCS),thermistor(1PCS),DSP板(8PCS) |
| 03 | *E | 14' | N10307661010 | screw | M3*7mm,daisy round head,screw headD5.5mm,machinery screw,black zinc | 3 | crystal on power panel |
| 03 | E | 15 | N10310661010 | screw | M3*10mm,daisy round head,screw headD5.5mm,machinery screw | 5 | lock small crystal and power connect |
| 03 | E | 16 | N10312661010 | screw | M3*12mm,daisy round head,screw headD5.5mm,machinery screw | 5 | lock rectifier and big crystal |
| 03 | E | 17 | N103056A1120 | screw | M3*5mm,daisy round head,screw head7.5mm,metric machine | 2 | GND wire |
| 03 | E | 18 | N10308571010 | screw | M3*8mm,daisy round head,screw headD6mm,machinery screw | 10 | lock heatsink(bottom) |
| 03 | E | 19 | N10407651010 | screw | M4*7mm,daisy round head,screw headD7mm,machinery screw | 4 | lock transformer |
| 03 | E | 20 | N10426298020 | screw | M4*26mm,daisy round head,screw headD7mm,machinery screw | 4 | lock fan |
| 03 | E | 21 | N10306667010 | screw | Φ3*6mm,daisy round head,screw headD5.5mm,sel-tapping br | 6 | lock XLR |
| 03 | E | 23 | N9083B081110 | gasket | Φ8*Φ3.2*0.8mm,steel,flat washer,black zinc | 5 | lock big crystal and rectifier |
| 03 | E* | 22 | N9063B031110 | gasket | Φ6*Φ3.2*0.3mm,steel,flat washer.black zinc | 6 | lock small crystal |
| 03 | E | 24 | N9073B101410 | gasket | Φ7*Φ3.2*1.0mm,steel,outside tooth washer.black zinc | 2 | lock power connect |

擬制:

審核:

批准:

受控 BOM

| 表格編號: RD-QT-020-B | | | 文件編號: RD-TD-020 | | | 頁次: 20/20 | |
|-------------------|----|-------------------|-----------------|----------------------|--|-----------|---|
| 版本: 1.1 | | 機種編號: AC005 (GK1) | | 文件序號: | | 生效日期: | |
| 層次 | 類別 | 編號 | 料號 | 物料名稱 | 規格描述 | 用量 | 位號及備註 |
| 03 | E | 25 | N9073B101430 | gasket | Φ7*Φ3.2*1.0mm,steel,outside tooth washer,five color | 2 | lock GND wire |
| 03 | E | 26 | N95F3B085210 | gasket | Φ5.6*Φ3.2*0.8mm,spring steel,spring washer,black zinc | 11 | lock small and big crystal and rectifier |
| 03 | E | 27 | N706032E0010 | HEX nut | Φ6*M3*2.5mm,black zinc | 2 | lock power connect |
| 03 | F | 1 | X1010494A111 | cabinet | DN-X10104,mid-density panel with PB,lichee husk,,black,supplying plastic vent-pipe tube and corner.inside firproof batting dacron(with grill),V1.1 | 1 | see the picture |
| 03 | F | 2 | ME1002060000 | corner | DN-ME1002,SPCC,material | 8 | same as GA0 |
| 03 | F | 3 | PT2006310100 | plastic blowing tube | DN-PT2006,145*56*83mm,ABS,black | 2 | same as GK0 |
| 03 | F | 4 | PS51SRS310M0 | space post | SRS3-10M,品固 | 4 | lock crossover board |
| 03 | F | 5 | N104206B1010 | screw | M4*20mm,daisy round head,screwD8mm,machinery scr | 8 | lock woofer |
| 03 | F | 6 | N10322669010 | screw | Φ3*22mm,daisy round head,screw head,D5.5mm,self-tapping | 4 | lock crossover board |
| 03 | F | 7 | N104255B5010 | screw | Φ4*25mm,daisy flat head,screw headD8mm,wood screw.black zinc | 6 | lock horn tweeter |
| 03 | F | 8 | N10425AE1010 | screw | M4*25mm,daisy umbrella head,screw head D9.5mm,machiner | 4 | lock amplifier |
| 03 | F | 9 | H61A10A10A20 | FOAM | 10*1000*1mm,EVAE1030,single side have black adhesive | 2 | tweeter and woofer |
| 02 | G | 12 | W96024218DAB | power cord | AN-960,3C,18#,SJT,1830mm,black,携威(美规头+品字尾) | 1 | attachment,regulated by America,silk-screen SJT:on power cord |
| 02 | | | W9632D718DA8 | power cord | AN-W963,3C,1.0mm2,H05VV-F,1830mm,black,明德,(法德式頭+品字尾) | | attachment,regulated by Europe |
| 02 | | | W9622D718DA8 | power cord | AN-W962,3C,1.0mm2,H05VV-F,1830mm,black 明德,(SAA頭+品字尾) | | attachment,regulated by Australia |
| 02 | | | W9432C718DA8 | power cord | AN-W943,3C,0.75mm ² ,H05VV-F,1830mm,black,明德(verticalmoulding Bshead regulated by England(5A)+品字尾) | | attachment,regulated by England |
| | | | | | | | |
| | | | | | | | |
| | | | | | | | |
| | | | | | | | |
| | | | | | | | |
| | | | | | | | |
| | | | | | | | |
| | | | | | | | |

擬制:

審核:

批准:

受控 BOM

| 表格編號: RD-QT-020-B | | | 文件編號: RD-TD-020 | | | 頁次: 17/20 | |
|-------------------|----|------------------|-----------------|-------------------------------------|---|-----------|---|
| 版本: 1.1 | | 機種編號: AC005{GK1} | | 文件序號: | | 生效日期: | |
| 層次 | 類別 | 編號 | 料号 | 物料名称 | 规格描述 | 用量 | 位号及备注 |
| 03 | E | 1 | T20075930030 | annular transformer | AN-T20075,115/230V, 300W,德致 | 1 | T1 |
| 03 | *E | 2 | E11042SEM70 | fan | AN-E1104,DF0602012SEM70,鴻基(12V,wire leads with socket P=2.5MM,the length of wire is 300MM with grill) | 1 | locking on bracket typeU ,blowing towards outside |
| 03 | E | 3 | J010116T4250 | power connect | AN-J0101,3516-T4,奇立 | 1 | after packed then closed |
| 03 | E | 4 | F26A0031AL50 | glass-tube fuse | 6A/125V,Φ5*20MM ,super-slow melting ,low disjunctin,certified by America and Europe | 1 | certified by America(5TT) |
| 03 | E | | F23A1541TLB0 | glass-tube fuse | 3.15A/250 ,5*20MM slow melting ,low disjunction,certified by America,Europe and England | | certified by Europe (littelfuse 218series) |
| 03 | E | 5 | F704FHB02043 | tube type fuse jack | AN-F704,FHB02,certified by ULCSA and VDE,璟和 | 1 | UL,Ceattestation |
| 03 | E | 6 | S318KKETOF20 | teeterboard switch | AN-S318,RA12KKETOF,亮群(2P,无without"I"and "O"silk screen 6A/250V) | 1 | boxed before packed it |
| 03 | E | 7 | W85340380820 | muli-cored wire | 20#, UL1617,10+380mm+one end punch 187terminal with transparent terminal,red, | 1 | fuse jack to power switch |
| 03 | E | 8 | W85340120720 | muli-cored wire | 20#, UL1617,10+120mm+one end punch 250terminal with transparent tube,red | 1 | power connect"L"to fuse jack |
| 03 | E | 9 | W4K7442150A3 | socket wire | AN-W4K7,4P,18#,UL1015,150mm,black,柏盛(one end with 3960socket,one end with 3960jack) | 1 | CN3-A/B |
| 03 | E | 10 | WE08232600K3 | connecting socket wire with nothing | AN-WE08,2P,16#,UL1015,600mm,black,red(one end with E120H airy connecting socket,one end peel wire 10mm). | 1 | AMP TO CROSOVER |
| 03 | E | 11 | W648142100B3 | GND wire | AN-W648,18# UL1015,100mm,green and yellow,柏盛(one end punch 250terminal with tube,the other end punch Φ4.3 round terminal) | 1 | power connect to GND |
| 03 | E | 12 | H15001003100 | thermer tube | Φ5*10*0.28mm,UL,black | 1 | cover fuse tube jack |
| 03 | E | 13 | H11F04004100 | thermer tube | Φ15*40*0.40mm,UL,black | 1 | cover fuse tube jack |
| 03 | E | 14 | PS810AB3S3M0 | fixed button | 品固,AB-3S-3M | 3 | fixing CN1-B |
| 03 | E | 15 | H92510000090 | strain relief | 2.5*100mm,white | 8 | bundle cable |

擬制:

審核:

批准:

受控 BOM

| 表格編號: RD-QT-020-B | | | 文件編號: RD-TD-020 | | | 頁次: 12/20 | |
|-------------------|----|------------------|-----------------|--------|---|-----------|----------------------------------|
| 版本: 1.0 | | 機種編號: AC005{GK1} | | 文件序號: | | 生效日期: | |
| 層次 | 類別 | 編號 | 料號 | 物料名稱 | 規格描述 | 用量 | 位號及備註 |
| 04-5 | B | 1 | B1012751V020 | PCB | GKX_POWER,94V0single panel,AN-B10127,green,V1.0,2ounce, | 1 | 並板 |
| 04-5 | B | 2 | RK0800500000 | jumper | Φ0.8*5mm | 1 | JP44 |
| 04-5 | B | 3 | RK0800750000 | jumper | Φ0.8*7.5mm | 11 | JP3,8,12,15,17,22,29,31,32,40,45 |
| 04-5 | B | 4 | RK0801250000 | jumper | Φ0.8*12.5mm | 9 | JP1,16,18,19,23,26,37,38,39 |
| 04-5 | B | 5 | RK0801750000 | jumper | Φ0.8*17.5mm | 8 | JP6,7,10,21,24,25,27,28 |
| 04-5 | B | 6 | RK0802000000 | jumper | Φ0.8*20mm | 4 | JP11,13,42,43 |
| 04-5 | B | 7 | R131K0006230 | C/R | 1/8W,1KΩ,±5%,brede style | 1 | 3R48 |
| 04-5 | B | 8 | R132K0006100 | C/R | 1/8W,2KΩ,±5%,brede style | 1 | 3R46 |
| 04-5 | B | 9 | R1310K006100 | C/R | 1/8W,10KΩ,±5%,brede style | 7 | 3R47 3R49-50,2R9,2R10,3R54,3R56 |
| 04-5 | B | 10 | R1320K006100 | C/R | 1/8W,20KΩ,±5%,brede style | 2 | 2R1,3R57 |
| 04-5 | B | 11 | R1315K006100 | C/R | 1/8W,15KΩ,M±5%,brede style | 1 | 3R59 |
| 04-5 | B | 12 | R1347K006100 | C/R | 1/8W,47KΩ,±5%,brede style | 1 | 2R2 |
| 04-5 | B | 13 | R1356K006100 | C/R | 1/8W,56KΩ,±5%,brede style | 1 | 3R51,3R52 |
| 04-5 | B | 14 | R13150K06100 | C/R | 1/8W,150KΩ,±5%,brede style | 2 | 2R7-8 |
| 04-5 | B | 15 | R13180K06100 | C/R | 1/8W,180KΩ,±5%,brede style | 1 | 3R55 |
| 04-5 | B | 16 | R13220K06100 | C/R | 1/8W,220KΩ,±5%,brede style | 1 | 3R53 |
| 04-5 | B | 17 | R141K0006250 | C/R | 1/4W,1KΩ,±5%,brede style | 1 | 3R67 |
| 04-5 | B | 18 | R233K9004100 | M/O | 1/8W,3.9KΩ,±1%,brede style | 1 | 2R11 |
| 04-5 | B | 19 | R235K6004100 | M/O | 1/8W,5.6KΩ,±1%,brede style | 1 | 2R5 |
| 04-5 | B | 20 | R238K6604100 | M/O | 1/8W,8.66KΩ,±1%,brede style | 1 | 2R6 |
| 04-5 | B | 21 | R2312K004100 | M/O | 1/8W,12KΩ,±1%,brede style | 1 | 2R4 |

擬制:

審核:

批准:

受控 BOM

| 表格編號: RD-QT-020-B | | | 文件編號: RD-TD-020 | | | 頁次: 13/20 | |
|-------------------|----|------------------|-----------------|------------------------------|---|-----------|---------------------------|
| 版本: 1.0 | | 機種編號: AC005{GK1} | | 文件序號: | | 生效日期: | |
| 層次 | 類別 | 編號 | 料號 | 物料名稱 | 規格描述 | 用量 | 位號及備註 |
| 04-5 | B | 22 | R3539R006100 | metallic polyester capacitor | 1/2W,39Ω,±5%,brede style | 1 | 3R66 |
| 04-5 | B | 23 | Q11042556011 | C/C | 104,VDC50,+80/-20%,Y5V,vertical basin type.brede style.brown | 6 | 3C40,3C42,3C32-33 3C36-37 |
| 04-5 | B | 24 | Q11044556011 | C/C | 104,VDC100,+80/-20%,Y5V,vertical basin type.brede style and grown | 5 | 3C45-49 |
| 04-5 | B | 25 | Q3104410A014 | metallic polyester capacitor | 104,VDC100,+/-5%,vertical box type.brede style,yellow | 2 | C1,C2 |
| 04-5 | B | 26 | U1815GR01130 | NPN TR | 2SC1815GR,TO-92side-pin moulding brede style,TOSHIBA | 6 | 2Q1 2Q3,2Q5,2Q4,2Q7,2Q8 |
| 04-5 | B | 27 | U1015GR01130 | PNP TR | 2SA1015GR,TO-92side-pin moulding brede style,TOSHIBA | 2 | 2Q2,2Q6 |
| 04-5 | B | 28 | U1T103R01000 | NPN TR | 2SC2061T103R-T,TO-92side-pin moulding brede style | 2 | 3Q18-19 |
| 04-5 | B | 29 | D3C112V00100 | zener diode | SOD-27,1/2W,12V,1N5242B,brede style | 1 | 3Z1, |
| 04-5 | B | 30 | D3D213V00100 | zener diode | DO-41,1W,13V,1N4743,brede style | 1 | 1Z3 |
| 04-5 | B | 31 | D3C13V300100 | zener diode | SOD-27,1/2W,3.3V,brede style | 1 | 1Z1 |
| 04-5 | B | 32 | D1CN41480100 | diode | DO-35,1N4148,,brede style | 6 | 2D1,2D3,2D4,3D8,3D10,2D2 |
| 04-5 | B | 33 | D1GN40040100 | diode | D-41,1N4004,brede style | 10 | 1D3-6 1D8-11 D1,D2 |
| 04-5 | C | 1 | R361K0006270 | MO/R | 1W,1KΩ,±5%,horizontal,P=15mm | 1 | 3R69 |
| 04-5 | C | 2 | R3710R006283 | MO/R | 2W,10Ω,±5%,horizontal,P=17.5mm,H=10MM | 1 | 3R68 |
| 04-5 | C | 3 | R3975R006500 | MO/R | 5W,75Ω,±5%,vertical | 1 | 3R58,H=10MM |
| 04-5 | C | 4 | Q31047108G26 | metallic polyester capacitor | 104,VDC250,+/-5%,vertical adhesive type,P=10mm,cutting the pin to be 6MM,blue | 2 | 3C28,3C29 |
| 04-5 | C | 5 | Q8104320AJ24 | X2approved capacitor | 104,VAC275,+/-10%,vertical box type,P=15mm,cutting the pin to be 6MM,yellow,華 倫 | 1 | CX |
| 04-5 | C | 6 | C110R7736C10 | E/C | 10uF/50V,,±20%,-40/+85°C,,Φ5*11mm,P=2mm,black,cutting the pin to be 6MM | 1 | 3C41 |
| 04-5 | C | 7 | C11R07736C10 | E/C | 1uF/50V,±20%,-40/+85°C,,Φ5*11mm,P=2mm,black,cutting the pin to be 6MM | 3 | 2C1,2C2,3C23 |

擬制:

審核:

批准:

受控 BOM

| 表格編號: RD-QT-020-B | | | 文件編號: RD-TD-020 | | | 頁次: 14/20 | |
|-------------------|----|------------------|-----------------|-------|---|-----------|----------------|
| 版本: 1.0 | | 機種編號: AC005{GK1} | | 文件序號: | | 生效日期: | |
| 層次 | 類別 | 編號 | 料號 | 物料名稱 | 規格描述 | 用量 | 位號及備註 |
| 04-5 | C | 8 | C11R0A736C10 | E/C | 1uF/100V,±20%,- 40/+85°C,,Φ5*11mm,P=2mm,black,cutting the pin to be 6MM | 1 | 3C22 |
| 04-5 | C | 9 | C122R7736C10 | E/C | 22uF/50V,±20%,- 40/+85°C,,Φ5*11mm,P=2mm,black,cutting the pin to be 6MM | 1 | 3C21 |
| 04-5 | C | 10 | C147R5736C10 | E/C | 47uF/25V,±20%,- 40/+85°C,,Φ5*11mm,P=2mm,black,cutting the pin to be 6MM | 1 | 3C19 |
| 04-5 | C | 11 | C14716878F10 | E/C | 470uF/35V,±20%,- 40/+105°C,Φ10*16,P=5mm,black,cutting the pin to be 6MM | 1 | 3C38 |
| 04-5 | C | 12 | C11015736C10 | E/C | 100uF/25V,±20%,- 40/+85°C,Φ5*11m,P=2.0mm,black,cutting the pin to be 6MM | 2 | 3C52,3C54, |
| 04-5 | C | 13 | C12214756D10 | E/C | 220uF/16V,±20%,- 40/+85°C,Φ6.3*11mm,P=2.5mm ,black,cutting the pin to be 6MM | 3 | 3C51,3C53,3C18 |
| 04-5 | C | 14 | C14716878F10 | E/C | 470uF/35V,±20%,- 40/+105°C,Φ10*16,P=5mm,black,cutting the pin to be 6MM | 1 | 3C38 |
| 04-5 | C | 15 | C12215866E10 | E/C | 220uF/25V,±20%,- 40/+105°C,Φ8*12mm,P=3.5mm ,black,cutting the pin to be 6MM | 2 | 3C35,3C24 |
| 04-5 | C | 16 | C1102688AF10 | E/C | 1000uF/35V,±20%,- 40/+105°C,Φ13*26mm,P=5mm,black,cuttin g the pin to be 6MM | 1 | 3C50 |
| 04-5 | C | 17 | C1222689BG10 | E/C | 2200uF/35V,±20%,- 40/+105°C,Φ16*27mm,P=7.5mm,black,cut ting the pin to be 6MM | 2 | 3C30-31 |
| 04-5 | C | 18 | C1682J7GNH12 | E/C | 6800uF/120V,±20%,- 40/+85°C,Φ40*60mm,P=10mm,black,cutting the pin to be 6MM冠坤 | 2 | 3C26-27 |
| 04-5 | *C | 19 | U8M393N09060 | IC | LM393N,DIP8,ST | 1 | U4 |
| 04-5 | C | 20 | JP4013202130 | JACK | AN-JP401,2532- 02,柏盛(180degree,P=2.5mm) | 1 | 2J1 |
| 04-5 | C | 21 | JP4023202150 | JACK | AN-JP402,2532- 02,冠福(180degree,P=2.5mm) | | |
| 04-5 | C | 22 | JP4033202160 | JACK | AN-JP403,2532- 02,洪揚(180degree,P=2.5mm) | | |
| 04-5 | C | 23 | JP4106103130 | JACK | AN-JP410,3961- 03,柏盛(P=3.96mm,180degree) | 1 | CN2-B |
| 04-5 | C | 24 | JP4116103150 | JACK | AN-JP411,3961- 03,冠福(P=3.96mm,180度) | | |
| 04-5 | C | 25 | JP4126103160 | JACK | AN-JP412,3961- 03,洪揚(P=3.96mm,180degree) | | |

擬制:

審核:

批准:

受控 BOM

| 表格編號: RD-QT-020-B | | | 文件編號: RD-TD-020 | | | 頁次: 15/20 | |
|-------------------|----|------------------|-----------------|-------------------------------------|---|-----------|--|
| 版本: 1.0 | | 機種編號: AC005{GK1} | | 文件序號: | | 生效日期: | |
| 層次 | 類別 | 編號 | 料號 | 物料名稱 | 規格描述 | 用量 | 位號及備註 |
| 04-5 | C | 26 | JP4106104130 | JACK | AN-JP410,3961-04,柏盛(P=3.96mm,180degree) | 1 | CN3-B |
| 04-5 | C | 27 | JP4116104150 | JACK | AN-JP411,3961-04,冠福(P=3.96mm,180degree) | | |
| 04-5 | C | 28 | JP4126104160 | JACK | AN-JP412,3961-04,洪揚(P=3.96mm,180degree) | | |
| 04-5 | C | 29 | JP4138104130 | JACK | AN-JP413,5081-04,柏盛 (P=5.08MM,180degree) | 2 | 120V ,230V |
| 04-5 | C | 30 | JP4258104160 | JACK | AN-JP425,GY5081-04,洪揚(P=5.08MM,180degree) | | |
| 04-5 | C | 31 | JP4013205130 | JACK | AN-JP401,2532-05,柏盛(180degree,P=2.5mm) | 2 | CN1-B CN6-B |
| 04-5 | C | 32 | JP4023205150 | JACK | AN-JP402,2532-05,冠福(180degree,P=2.5mm) | | |
| 04-5 | C | 33 | JP4033205160 | JACK | AN-JP403,2532-05,洪揚(180degree,P=2.5mm) | | |
| 04-5 | C | 34 | JP4033206160 | JACK | AN-JP403,2532-06,洪揚(180degree,P=2.5mm) | 1 | CN4-B |
| 04-5 | C | 35 | JP4013206130 | JACK | AN-JP401,2532-06,柏盛(180degreeP=2.5mm) | | |
| 04-5 | C | 36 | JP4023206150 | JACK | AN-JP402,2532-06,冠福(180degree,P=2.5mm) | | |
| 04-5 | D | 1 | U8815CV03060 | IC | L7815CV,TO220,ST | 1 | U1 |
| 04-5 | D | 2 | U8915CV03060 | IC | L7915CV,TO220,ST | 1 | U2 |
| 04-5 | D | 3 | U8805CV03060 | IC | L7805CV,TO220,ST | 1 | U3 |
| 04-5 | D | 4 | D21RS8027000 | rectifier | DIP,RS802,虹揚 | 1 | 1D2 |
| 04-5 | D | 5 | G02SFSS1G510 | relay | AN-G02,SF-SS-112DM,16A,12VDC,國興 | 1 | K1 (需UL,CE认证) |
| 04-5 | D | 6 | H21001503090 | fiber cannula | Φ1*15*0.3mm, white | 8 | for covering resistor 3R58,3R66,3R68-69 |
| 04-5 | D | 7 | WE07232320C3 | connecting socket wire with nothing | AN-WE07,2P,16#,UL1015,320mm,red and black(one end with E020H(without ear)airly connecting jack,one end peel wire 10mm). | 1 | AMP_OUT+/- |
| 04-5 | E | 1 | H51D018101A0 | mica sheet | 13*18*0.1mm,without adhesive,having one | 3 | 墊U1,U2,U3 |
| 04-5 | E | 2 | PSF10602MV00 | insulator | 品固:602M-V0 | 3 | U1,U2,U3 |

擬制:

審核:

批准:

受控 BOM

| 表格編號: RD-QT-020-B | | | 文件編號: RD-TD-020 | | | 頁次: 9/20 | |
|-------------------|----|------------------|-----------------|-----------------------|--|----------|-----------------------------|
| 版本: 1.0 | | 機種編號: AC005{GK1} | | 文件序號: | | 生效日期: | |
| 層次 | 類別 | 編號 | 料號 | 物料名稱 | 規格描述 | 用量 | 位號及備注 |
| 04-4 | B | 1 | B1012651V020 | PCB | GKX_AMP,94V0 single pange,AN-B10126,green, V1.0,2ounce | 1 | |
| 04-4 | B | 2 | RK0800500000 | jumper | Φ0.8*5mm | 1 | JP1 |
| 04-4 | B | 3 | RK0800750000 | jumper | Φ0.8*7.5mm | 7 | JP18,20,21,22,24,28,29 |
| 04-4 | B | 4 | RK0801250000 | jumper | Φ0.8*12.5mm | 9 | JP6,10,12,16,17,23,30,32,33 |
| 04-4 | B | 5 | RK0801500000 | jumper | Φ0.8*15mm | 5 | JP15,19,26,27,31 |
| 04-4 | B | 6 | R1347R006100 | C/R | 1/8W,47Ω,±5%,brede style | 4 | 3R10-13 |
| 04-4 | B | 7 | R1382R006100 | C/R | 1/8W,82Ω,±5%,brede style | 2 | 3R16-17 |
| 04-4 | B | 8 | R13510R06100 | C/R | 1/8W,510Ω,±5%,brede style | 1 | 3R21 |
| 04-4 | B | 9 | R13680R06100 | C/R | 1/8W,680Ω,±5%,brede style | 4 | 3R27-30 |
| 04-4 | B | 10 | R131K0006100 | C/R | 1/8W,1KΩ,±5%,brede style | 4 | 3R8-9 3R14-15 |
| 04-4 | B | 11 | R132K4006100 | C/R | 1/8W,2.4KΩ,±5%,brede style | 1 | 3R20 |
| 04-4 | B | 12 | R132K7006100 | C/R | 1/8W,2.7KΩ,±5%,brede style | 2 | 3R4 3R7 |
| 04-4 | B | 13 | R135K1006100 | C/R | 1/8W,5.1KΩ,±5%,brede style | 2 | 3R5-6 |
| 04-4 | B | 14 | R1310K006100 | C/R | 1/8W,10KΩ,±5%,brede style | 2 | 3R3 3R22 |
| 04-4 | B | 15 | R1315K006100 | C/R | 1/8W,15KΩ,M±5%,brede style | 2 | 3R31-32 |
| 04-4 | B | 16 | R1368K006100 | C/R | 1/8W,68KΩ,±5%,brede style | 1 | 3R2 |
| 04-4 | B | 17 | R1410R006100 | C/R | 1/4W,10Ω,±5%,brede style | 2 | 3R36,3R35 |
| 04-4 | B | 18 | R14270R06100 | C/R | 1/4W,270Ω,±5%,brede style | 2 | 3R23-24 |
| 04-4 | B | 19 | R23330R04100 | M/O | 1/8W,330Ω,±1%,brede style | 1 | 3R39 |
| 04-4 | B | 20 | R232K2004100 | M/O | 1/8W,2.2KΩ,±1%,brede style | 1 | 3R1 |
| 04-4 | B | 21 | R2311K004100 | M/O | 1/8W,11KΩ,±1%,brede style | 1 | 3R38 |
| 04-4 | B | 22 | R3720R006383 | metallic polyester ca | 2W,20Ω,±5%,,machining horizontal typeK pin,P=17.5mm,H=10mm | 2 | 3R18-19 |
| 04-4 | B | 23 | D1CN41480100 | diode | DO-35,1N4148,brede style | 5 | 3D1~3D5 |
| 04-4 | B | 24 | D1GN40040100 | diode | D-41,1N4004,brede style | 2 | 3D6,3D7,P=10MM |
| 04-4 | C | 1 | R15220R06500 | C/R | 1/2W,220Ω,±5%,vertical | 1 | 3R33,P=18MM |

擬制:

審核:

批准:

受控 BOM

| 表格編號: RD-QT-020-B | | | 文件編號: RD-TD-020 | | | 頁次: 10/20 | |
|-------------------|----|------------------|-----------------|------------------------------|---|-----------|---------------|
| 版本: 1.0 | | 機種編號: AC005{GK1} | | 文件序號: | | 生效日期: | |
| 層次 | 類別 | 編號 | 料號 | 物料名稱 | 規格描述 | 用量 | 位號及備注 |
| 04-4 | C | 2 | R1310R006410 | C/R | 1/8W,10Ω,±5%,vertical,P=2.5MM,cutting the pin to be 6MM | 1 | RJ |
| 04-4 | C | 3 | R1410R006420 | C/R | 1/4W,10Ω,±5%,vertical,P=5MM,cutting the pin to be6MM | 2 | 3R34 , 3R37 |
| 04-4 | C | 4 | R1447R006420 | C/R | 1/4W,47Ω,±5%,vertical,P=5MM,cutting the pin to be6MM | 2 | 3R25-26 |
| 04-4 | C | 5 | R3710R006440 | metallic polyester capacitor | 2W,10Ω, ±5%,vertical,P=7.5mm,cutting the pin to be6MM | 1 | 3R45 |
| 04-4 | C | 6 | Q10054116011 | C/C | 5PF,VDC100,+/-5%,NPO,vertical basin type,brede style.brown | 1 | 3C14 |
| 04-4 | C | 7 | Q10222116011 | C/C | 22PF,VDC50,+/-5%,NPO,vertical basin type,brede style.brown | 2 | 3C5 3C7 |
| 04-4 | C | 8 | Q11022286011 | C/C | 102,VDC50,+/-10%,Y5P,vertical basin type,brede style.brown | 1 | 3C2 |
| 04-4 | C | 9 | Q11044556011 | C/C | 104,VDC100,+80/-20%,Y5V,vertical basin type,brede style.brown | 1 | 3C17 |
| 04-4 | C | 10 | Q3104410A014 | metallic polyester capacitor | 104,VDC100,+/-5%,vertical box type,brede style,yellow | 1 | 3C20 |
| 04-4 | C | 11 | Q3472310A014 | metallic polyester capacitor | 472,VDC63,+/-5%,vertical box type,brede style,yellow | 2 | 3C12-13 |
| 04-4 | C | 12 | Q3104310A014 | metallic polyester capacitor | 104,VDC63,+/-5%,vertical box type,brede style ,yellow | 3 | 3C6 3C16 3C20 |
| 04-4 | C | 13 | Q31047108G26 | metallic polyester capacitor | 104,VDC250,+/-5%,vertical adhesive type,P=10mm,cutting the pin to be 6MM,blue | 2 | 3C10-11 |
| 04-4 | C | 14 | C222R7832C10 | superminiature E/C | 22uF/50V,±20%,- 40/+105°C,Φ5*7mm,P=2.0mm,black,cutting the pin to be 6MM | 1 | 3C1 |
| 04-4 | C | 15 | C11014736C10 | E/C | 100uF/16V,±20%,- 40/+85°C,φ5*11mm,P=2mm,black,cutting the pin to be 6MM | 1 | 3C15 |
| 04-4 | C | 16 | C12214856D10 | E/C | 220uF/16V,±20%,- 40/+105°C,Φ6.3*11mm,P=2.5mm,black.cutting the pin to be 6MM | 2 | 3C3-4 |
| 04-4 | C | 17 | U1C342102130 | NPN TR | 2SC3421,TO-126plastic envelope,TOSHIBA | 1 | 3Q7 |
| 04-4 | C | 18 | U2A194312130 | PNP TR | 2SA1943,TOP-3L,TOSHIBA | 2 | 3Q14-15 |
| 04-4 | C | 19 | U2PSA9201000 | PNP TR | MPSA92,TO-92 side-pin moulding | 2 | 3Q1-2 |
| 04-4 | C | 20 | U1PSA4201000 | NPN TR | MPSA42,TO-92side-pin moulding | 2 | 3Q3-4 |
| 04-4 | C | 21 | U1815GR01130 | NPN TR | 2SC1815GR,TO-92side-pin moulding,TOSHIBA | 1 | 3Q9 |

擬制:

審核:

批准:

受控 BOM

| 表格編號: RD-QT-020-B | | | 文件編號: RD-TD-020 | | | 頁次: 11/20 | |
|-------------------|----|------------------|-----------------|-------------|---|-----------|----------|
| 版本: 1.0 | | 機種編號: AC005{GK1} | | 文件序號: | | 生效日期: | |
| 層次 | 類別 | 編號 | 料號 | 物料名稱 | 規格描述 | 用量 | 位號及備註 |
| 04-4 | C | 22 | U2015GR01130 | PNP TR | 2SA1015GR,TO-92side-pin moulding,TOSHIBA | 1 | 3Q8 |
| 04-4 | C | 23 | U13206Y01050 | NPN TR | C3206Y,TO92side-pin moulding,KEC | 2 | 3Q5 3Q11 |
| 04-4 | C | 24 | U21024Y01050 | PNP TR | A1024Y,TO-92side-pin moulding,KEC | 2 | 3Q6 3Q10 |
| 04-4 | C | 25 | JP4106104130 | JACK | AN-JP410,3961-04,柏盛(P=3.96mm,180degree) | 1 | CN3-B |
| 04-4 | C | 26 | JP4116104150 | JACK | AN-JP411,3961-04,冠福(P=3.96mm,180degree) | | |
| 04-4 | C | 27 | JP4126104160 | JACK | AN-JP412,3961-04,洪揚(P=3.96mm,180degree) | | |
| 04-4 | D | 1 | R384R70062B3 | MO/R | 3W,4.7Ω,±5%,horizontal,P=25mm,H=10MM | 1 | 3R44 |
| 04-4 | D | 2 | R59R15246A20 | cement RES | 5W,0.15Ω,華盛,vertical,±5%,13*10*25mm,P=5mm | 4 | 3R40-43 |
| 04-4 | D | 3 | R9020K506203 | thermistor | 20K,宏儿,±5%,NTC,withΦ4.3MMstator | 1 | RTH |
| 04-4 | D | 4 | C1101B89BC10 | E/C | 100uF/160V,±20%,-40/+105°C,φ16*26mm,P=2mm,black | 2 | 3C8-9 |
| 04-4 | D | 5 | U1C520012130 | NPN TR | 2SC5200,TOP-3L,TOSHIBA | 2 | 3Q16-17 |
| 04-4 | D | 6 | U1C479303130 | NPN TR | 2SC4793,TO-220plastic envelope,TOSHIBA | 1 | 3Q13 |
| 04-4 | D | 7 | U2A183703130 | PNP TR | 2SA1837,TO-220plastic envelope,TOSHIBA | 1 | 3Q12 |
| 04-4 | D | 8 | H21001503090 | fibre tube | Φ1*15*0.3mm, white | 7 | |
| 04-4 | D | 9 | I800801U2920 | AIR COIL | AN-I8008,1.2uH,+/-30%,力威,LW-4767 | 1 | 3L1 |
| 04-4 | D | 10 | W541279140K4 | shield wire | AN-W541,2P,24#,UL2725,140mm.gray(GND wire is red),宏揚(one end punch 2530socket,one end punch SCNjack) | 1 | CN5-B |
| 04-4 | D | 11 | W143561240K3 | ribbon wire | AN-W143,5P,22#,UL1007,240mm,red,black,red,black,red,柏盛(one end punch 2530socket,one end punch 2520jack) | 1 | CN6-A |
| 04-4 | E | 1 | H52C028101A0 | mica sheet | 22*28*0.1mm,without adhesive,having one hole,transparent | 4 | 墊大晶體. |
| | | | | | | | |
| | | | | | | | |
| | | | | | | | |

擬制:

審核:

批准:

受控 BOM

| 表格編號: RD-QT-020-B | | | 文件編號: RD-TD-020 | | | 頁次: 8/20 | |
|-------------------|----|------------------|-----------------|-----------------------|--|----------|--|
| 版本: 1.2 | | 機種編號: AC005{GK1} | | 文件序號: | | 生效日期: | |
| 層次 | 類別 | 編號 | 料號 | 物料名稱 | 規格描述 | 用量 | 位號及備註 |
| 04-3 | *A | 1 | B2010551V120 | PCB | GKX_DSP,FR4single panel,AN-B20105,green V1.1 ,2ounce | 1 | |
| 04-3 | A | 2 | R62100R06300 | SMT resistor | 1/10W,100Ω,±5%,0805 | 1 | R64 |
| 04-3 | A | 3 | R62330R06300 | SMT resistor | 1/10W,330Ω,±5%,0805 | 4 | R61-63 R65 |
| 04-3 | A | 4 | R6220K006300 | SMT resistor | 1/10W,20KΩ,±5%,0805 | 10 | R66-71 R76-77 R55-56 |
| 04-3 | A | 5 | R6210K006300 | SMT resistor | 1/10W,10KΩ,±5%,0805 | 3 | R59-R60,R32 |
| 04-3 | A | 6 | Q5181211301A | SMT ceramic capacitor | 181,VDC50,+/-5%,NPO,0805,brede style | 4 | C66-68 C71 |
| 04-3 | A | 7 | Q5471223301A | SMT ceramic capacitor | 471,VDC50,+/-10%,X7R,0805,brede style | 1 | C179 |
| 04-3 | A | 8 | Q5102223301A | SMT ceramic capacitor | 102,VDC50,+/-10%,X7R,0805,brede style | 2 | C58-59 |
| 04-3 | *A | 9 | Q5104223301A | SMT ceramic capacitor | 104,VDC50,+/-10%,X7R,0805,brede style | 14 | C73 C75 ,C60-62 C53 C56-57 C63-65.C90,C94,C1 |
| 04-3 | *A | 9' | C31R07436C30 | low-leakage E/C | 1uF/50V,±10%,-40/+85°C,Φ5*11mm, P=2.0mm,orange,cutting the pin for 6mm | 1 | C46 |
| 04-3 | A | 10 | U84580M39070 | IC | NJM4580M,DMP8,JRC | 1 | U6 |
| 04-3 | A | 11 | U8L110118330 | IC | AL1101,SOP16,ALESIS | 1 | U25 |
| 04-3 | A | 12 | U8L120118330 | IC | AL1201,SOP16,ALESIS | 1 | U27 |
| 04-3 | A | 13 | U83201B68330 | IC | AL3201B,SOIC16,ALESIS | 1 | U26 |
| 04-3 | A | 14 | U8CT00D01150 | IC | 74HCT00D,SOP14,PHILIPS | 1 | U10 |
| 04-3 | A | 15 | U8HC04D01150 | IC | 74HC04D,SOP14,PHILIPS | 1 | U11 |
| 04-3 | C | 1 | C210R7732C10 | superminiature E/C | 10uF/50V,±20%,-40/+85°C,Φ5*7mm,P=2.0mm,black,cutting the pin for 6MM | 2 | C72 C74 |
| 04-3 | C | 2 | C222R5732C10 | superminiature E/C | 22uF/25V,±20%,-40/+85°C,Φ5*7mm,P=2.0mm,black,cutting the pin for 6MM | 1 | C52 |
| 04-3 | C | 3 | C247R5732C10 | superminiature E/C | 47uF/25V,±20%,-40/+85°C,Φ5*7mm,P=2.0mm,black.cutting the pin for 6MM | 1 | C87 |
| 04-3 | C | 4 | O30512318300 | ceramic oscillator | AN-O305,12MHz,ZTT,30PF | 1 | M1 |
| 04-3 | D | 1 | JP3245385110 | slot connect | AN- JP324, PH2.54,1*6P*2,L23.5/3./8.5,維峰(6P, P=2.54 ,180degree) | 2 | J1-B,J2-B |

擬制:

審核:

批准:

受控 BOM

| 表格編號: RD-QT-020-B | | | 文件編號: RD-TD-020 | | | 頁次: 4/20 | |
|-------------------|----|------------------|-----------------|--------|--|----------|---------------------------|
| 版本: 1.0 | | 機種編號: AC005{GK1} | | 文件序號: | | 生效日期: | |
| 層次 | 類別 | 編號 | 料號 | 物料名稱 | 規格描述 | 用量 | 位號及備注 |
| 04-2 | B | 1 | B1012951V010 | PCB | GK1_REAR,94V0 single panel,AN-B10129,green,V1.0,1ounce | 1 | |
| 04-2 | B | 2 | RK0800500000 | jumper | Φ0.8*5mm | 6 | JP35.36.53.54.55.56 |
| 04-2 | B | 3 | RK0800750000 | jumper | Φ0.8*7.5mm | 17 | JP34,37,39~43,45~52,60,61 |
| 04-2 | B | 4 | RK0801000000 | jumper | Φ0.8*10mm | 32 | J2~31,38,44 |
| 04-2 | B | 5 | RK0801250000 | jumper | Φ0.8*12.5mm | 1 | JP59 |
| 04-2 | B | 6 | RK0801500000 | jumper | Φ0.8*15mm | 1 | JP58 |
| 04-2 | B | 7 | RK0801750000 | jumper | Φ0.8*17.5mm | 1 | JP57 |
| 04-2 | B | 8 | RK0802000000 | jumper | Φ0.8*20mm | 1 | JP1 |
| 04-2 | B | 9 | R1368R006100 | C/R | 1/8W,68Ω,±5%,brede style | 1 | RH5 |
| 04-2 | B | 10 | R1375R006100 | C/R | 1/8W,75Ω,±5%,brede style | 2 | R41,R48 |
| 04-2 | B | 11 | R13100R06100 | C/R | 1/8W,100Ω,±5%,brede style | 4 | R16-17 R33-34 |
| 04-2 | B | 12 | R131K5006100 | C/R | 1/8W,1.5KΩ,±5%,brede style | 1 | 1R18 |
| 04-2 | B | 13 | R132K2006100 | C/R | 1/8W,2.2KΩ,±5%,brede style | 5 | R39,R46,1R17,R49,R42 |
| 04-2 | B | 14 | R135K1006100 | C/R | 1/8W,5.1KΩ,±5%,brede style | 1 | RH9 |
| 04-2 | B | 15 | R136K2006100 | C/R | 1/8W,6.2KΩ,±5%,brede style | 1 | RH12 |
| 04-2 | B | 16 | R1312K006100 | C/R | 1/8W,12KΩ,±5%,brede style | 1 | RH1 |
| 04-2 | B | 17 | R1375K006100 | C/R | 1/8W,75KΩ,±5%,brede style | 1 | RH2 |
| 04-2 | B | 18 | R1310M006100 | C/R | 1/8W,10MΩ,±5%,brede style | 1 | RH7 |
| 04-2 | B | 19 | R1410R006250 | C/R | 1/4W,10Ω,±5%,brede style | 4 | R50 R103-104,R43 |
| 04-2 | B | 20 | R23100R04100 | M/O | 1/8W,100Ω,±1%,brede style | 1 | R44 |
| 04-2 | B | 21 | R234K9904100 | M/O | 1/8W,4.99KΩ,±1%,brede style | 1 | RH14 |
| 04-2 | B | 22 | R2329K404100 | M/O | 1/8W,29.4KΩ,±1%,brede style | 1 | RH13 |
| 04-2 | B | 23 | R23100K04100 | M/O | 1/8W,100KΩ,±1%,brede style | 3 | R18 R36,RH8 |
| 04-2 | B | 24 | R2347R004100 | M/O | 1/8W,47Ω,±1%,brede style | 1 | 1R46 |
| 04-2 | B | 25 | R23681R04100 | M/O | 1/8W,681Ω,±1%,brede style | 2 | 1R7-8 |
| 04-2 | B | 26 | R231K0004100 | M/O | 1/8W,1K,±1%,brede style | 4 | R51-52,R40,1R9 |
| 04-2 | B | 27 | R233K0104100 | M/O | 1/8W,3.01KΩ,±1%,brede style | 2 | 1R13,1R14 |
| 04-2 | B | 28 | R233K3204100 | M/O | 1/8W,3.32KΩ,±1%,brede style | 2 | 1R5-6 |
| 04-2 | B | 29 | R237K5004100 | M/O | 1/8W,7.5KΩ,±1%,brede style | 3 | 1R11 1R15-16 |

擬制:

審核:

批准:

受控 BOM

| 表格編號: RD-QT-020-B | | | 文件編號: RD-TD-020 | | | 頁次: 5/20 | |
|-------------------|----|----|------------------|------------------------------|--|----------|--|
| 版本: 1.0 | | | 機種編號: AC005{GK1} | | 文件序號: | | 生效日期: |
| 層次 | 類別 | 編號 | 料号 | 物料名称 | 规格描述 | 用量 | 位号及备注 |
| 04-2 | B | 30 | R2310K004100 | M/O | 1/8W,10KΩ,±1%,brede style | 3 | R45,3R2,3R3 |
| 04-2 | B | 31 | R2310K004100 | M/O | 1/8W,10KΩ,±1%,brede style | 25 | 1R28-29,1R37-38,2R1-2,2R8-9,1R39,1R41,2R3,3R7,4R3,4R7,4R10,2R7,2R10,R38,3R1,3R5,3R9,4R1-2,4R8-9, |
| 04-2 | B | 32 | R24100R04100 | M/O | 1/4W,100Ω,±1%,brede style | 1 | R37 |
| 04-2 | B | 33 | R2410K004100 | M/O | 1/4W,10kΩ,±1%,brede style | 2 | 1R27 1R36 |
| 04-2 | B | 34 | Q12012116011 | C/C | 201,VDC50,+/-5%,NPO,vertical basin type,brede style,brown | 16 | 1C7 1C33-34 1C59 2C5-8,3C5-8 4C5-8 |
| 04-2 | B | 35 | Q11012116011 | C/C | 101,VDC50,+/-5%,NPO,vertical basin type,brede style,brown | 1 | CH5 |
| 04-2 | B | 36 | Q12212116011 | C/C | 221,VDC50,+/-5%,NPO,vertical basin type,brede style,brown | 2 | 1C9-10 |
| 04-2 | B | 37 | Q14712286011 | C/C | 471,VDC50V,+/-10%,Y5Pvertical basin type,brede style,brown | 18 | 1C5-6 1C18-19 2C1-4 C12 C24,3C1-4 4C1-4 |
| 04-2 | B | 38 | Q15612286011 | C/C | 561,VDC50,+/-10%,Y5P,vertical basin type,brede style,brown | 2 | C33,C36 |
| 04-2 | B | 39 | Q11022286011 | C/C | 102,VDC50,+/-10%,Y5P,vertical basin type,brede style,brown | 6 | 1C1-2,C27,C31,C37,C54 |
| 04-2 | B | 40 | Q11032286011 | C/C | 103,VDC50,+/-10%,Y5P,vertical basin type,brede style,brown | 2 | C47,C55 |
| 04-2 | *B | 41 | Q11042556011 | C/C | 104,VDC50,+80/-20%,Y5V,vertical basin type,brede style,brown | 25 | 1C23-26 2C18-19 C38-39 C50-51 CG1-6,3C9,3C18-19 4C18-19,CH7-CH10 |
| 04-2 | B | 42 | Q3104310A014 | metallic polyester capacitor | 104,VDC63,+/-5%,vertical box type,brede style.yellow | 2 | C28 C32 |
| 04-2 | B | 43 | Q3224310A014 | metallic polyester capacitor | 224,VDC63,+/-5%,vertical box type,brede style.yellow | 3 | CH1.2.3 |
| 04-2 | B | 44 | D1CN41480530 | diode | DO-35,1N4148,brede style | 1 | D6 |
| 04-2 | C | 1 | R133K9006410 | C/R | 1/8W,3.9KΩ,±5%,vertical,P=2.5MM,cutting the pin to be 6MM | 1 | RH3 |
| 04-2 | C | 2 | R13560K06410 | C/R | 1/8W,560KΩ,±5%,vertical,P=2.5MM,cutting the pin to be 6MM | 2 | RH10.RH11 |
| 04-2 | C | 3 | R23120R04410 | M/O | 1/8W,120Ω,±1%,vertical,P=2.5mm,cutting the pin to be 6MM | 1 | 1R40 |
| 04-2 | C | 4 | R231K0004410 | M/O | 1/8W,1KΩ,±1%,vertical,P=2.5mm,cutting the pin to be 6MM | 1 | R47 |

擬制:

審核:

批准:

受控 BOM

| 表格編號: RD-QT-020-B | | | 文件編號: RD-TD-020 | | | 頁次: 6/20 | |
|-------------------|----|------------------|-----------------|--------------------|--|----------|------------------------------------|
| 版本: 1.0 | | 機種編號: AC005{GK1} | | 文件序號: | | 生效日期: | |
| 層次 | 類別 | 編號 | 料號 | 物料名稱 | 規格描述 | 用量 | 位號及備註 |
| 04-2 | C | 5 | R231K0004420 | M/O | 1/8W,1KΩ,±1%,立式,P=5mm,cutting the pin to be 6MM | 1 | 1R10 |
| 04-2 | C | 6 | R237K5004410 | M/O | 1/8W,7.5KΩ,±1%,立式,P=2.5mm,cutting the pin to be6MM | 1 | 1R12 |
| 04-2 | C | 7 | R2310K004410 | M/O | 1/8W,10KΩ,±1%,立式,P=2.5mm,cutting the pin to be6MM | 8 | RH15,RH4,3R10,2R4,RH16,RH6,4R4,3R4 |
| 04-2 | C | 8 | C247R5732C10 | superminiature E/C | 47uF/25V,±20%,-40/+85°C,Φ5*7mm,P=2.0mm,black,cutting the pin to be6MM | 1 | 1C4 |
| 04-2 | C | 9 | C110R5736C10 | E/C | 10uF/25V,±20%,-40/+85°C,Φ5*11mm,P=2mm,black,cutting the pin to be6MM | 3 | C48 -49,CH6 |
| 04-2 | C | 10 | C147R5736C10 | E/C | 47uF/25V,±20%,-40/+85°C,Φ5*11mm,P=2mm,black,cutting the pin to be6MM | 8 | 1C3,1C48 C11 C23 C25 C29 ,CH4,CH11 |
| 04-2 | C | 11 | C11014736C10 | E/C | 100uF/16V,±20%,-40/+85°C,Φ5*11mm,P=2mm,black,cutting the pin to be6MM | 2 | C34-35 |
| 04-2 | C | 12 | C12213736C10 | E/C | 220uF/10V,±20%,-40/+85°C,Φ5*11mm,P=2mm,black,cutting the pin to be6MM | 2 | C26.C30 |
| 04-2 | C | 13 | C11024K68E10 | E/C | 1000UF/10V,-10/+30%,-40/+85°C,Φ 8 *16mm,P=3.5mm,black,cutting the pin to be6MM | 1 | 1C11 |
| 04-2 | C | 14 | U84580L14070 | IC | NJM4580L,SIP8,JRC | 8 | U4 1U1-2 2U1,3U1,4U1,U5,U9 |
| 04-2 | C | 15 | U2N440301000 | PNP TR | 2N4403,TO-92 side pin moulding | 4 | 1Q1-4 |
| 04-2 | C | 16 | D1CN41480410 | diode | DO-35,1N4148,vertical,P=2.5MM,cutting the pin to be6MM | 5 | D1-5 |
| 04-2 | C | 17 | U5N700001000 | channel N MOStube | 2N7000,TO-92 side pin moulding | 1 | Q1 |
| 04-2 | C | 18 | JP4013202130 | jack | AN-JP401,2532-02,柏盛(180degree,P=2.5mm) | 1 | CN5-A |
| 04-2 | C | 19 | JP4023202150 | jack | AN-JP402,2532-02,冠福(180degree,P=2.5mm) | | |
| 04-2 | C | 20 | JP4033202160 | jack | AN-JP403,2532-02,洪扬(180degree,P=2.5mm) | | |
| 04-2 | C | 21 | JP4063305160 | jack | AN-JP406,2533-05,洪扬(90degree,P=2.5mm) | 1 | CN3-B |
| 04-2 | C | 22 | JP4043305130 | jack | AN-JP404,2533-05,柏盛(90degree,P=2.5mm) | | |
| 04-2 | C | 23 | JP4053305150 | jack | AN-JP405,2533-05,冠福(90degree,P=2.5mm) | | |
| 04-2 | C | 24 | JP4063308160 | jack | AN-JP406,2533-08,洪扬(90degree,P=2.5mm) | 1 | CN1-A |

擬制:

審核:

批准:

受控 BOM

| 表格編號: RD-QT-020-B | | | 文件編號: RD-TD-020 | | | 頁次: 1/20 | |
|-------------------|----|----|------------------|--------|---|----------|---|
| 版本: 1.0 | | | 機種編號: AC005{GK1} | | 文件序號: | | 生效日期: |
| 層次 | 類別 | 編號 | 料號 | 物料名稱 | 規格描述 | 用量 | 位號及備註 |
| 04-1 | B | 1 | B1012851V010 | PCB | GK1_FRONT,94V0 single panel,AN-B10128,green,1ounce V1.0 | 1 | |
| 04-1 | B | 2 | RK0800500000 | jumper | Φ0.8*5mm | 10 | JP5.7.17.20.38.40.50.70.78.82. |
| 04-1 | B | 3 | RK0800750000 | jumper | Φ0.8*7.5mm | 29 | JP1.2.3.6.14.25.26.27.28.34~36.41.47.48.49.51~53.56.59.61.62.65.69.73.76.77.80 |
| 04-1 | B | 4 | RK0801000000 | jumper | Φ0.8*10mm | 12 | JP8.11.15.18.21.22.24.32.54.58.72.75 |
| 04-1 | B | 5 | RK0801250000 | jumper | Φ0.8*12.5mm | 14 | JP4.9.10.13.29.30.31.42.45.46.60.64.66.71 |
| 04-1 | B | 6 | RK0801500000 | jumper | Φ0.8*15mm | 6 | JP.33.57.63.68.74.79 |
| 04-1 | B | 7 | RK0801750000 | jumper | Φ0.8*17.5mm | 9 | JP16.12.19.23.37.43.44.55.81 |
| 04-1 | B | 8 | RK0802000000 | jumper | Φ0.8*20mm | 2 | JP39.67 |
| 04-1 | B | 9 | R13R00006100 | C/R | 1/8W,0Ω,±5%,brede style | 2 | R14 R31 |
| 04-1 | B | 10 | R135K1006100 | C/R | 1/8W,5.1KΩ,±5%,brede style | 2 | R74-75 |
| 04-1 | B | 11 | R1311K006100 | C/R | 1/8W,11KΩ,±5%,brede style | 4 | 1R25 1R44 2R12,2R17, |
| 04-1 | B | 12 | R13100K06100 | C/R | 1/8W,100KΩ,±5%,brede style | 9 | 1R56 2R5 2R23,3R5,4R5 4R23,R15,R30,1R58 |
| 04-1 | B | 13 | R13100K06100 | C/R | 1/8W,100KΩ,±5%,brede style | 1 | 3R23 |
| 04-1 | B | 14 | R131M0006100 | C/R | 1/8W,1MΩ,±5%,brede style | 8 | 1R04,1R24,1R34-35,R3,R6 R26 R35 |
| 04-1 | B | 15 | R23100R04100 | M/O | 1/8W,100Ω,±1%,brede style | 6 | 2R11 2R16,3R11 3R16 4R11 4R16 |
| 04-1 | B | 16 | R233K9004100 | M/O | 1/8W,3.9KΩ,±1%,brede style | 4 | 1R49 2R29,3R29 4R29 |
| 04-1 | B | 17 | R234K9904100 | M/O | 1/8W,4.99KΩ,±1%,brede style | 23 | 1R19 1R47-48 1R59 2R6 2R14-15 ,3R6 3R14-15 , 4R6 4R14-15, 1R50,2R13 2R28,3R13 3R28 ,R80-81,4R13 4R28.2R24 |
| 04-1 | B | 18 | R234K9904100 | M/O | 1/8W,4.99KΩ,±1%,brede style | 3 | 1R51,3R24,4R24 |
| 04-1 | B | 19 | R236K2004100 | M/O | 1/8W,6.2KΩ,±1%,brede style | 3 | R20,1R23,1R30 |
| 04-1 | B | 20 | R2310K004100 | M/O | 1/8W,10KΩ,±1%,brede style | 15 | R2 R4-5 R7 R10 R23-25 R27,1R20-22 ,1R31-33 |

擬制:

審核:

批准:

受控 BOM

| 表格編號: RD-QT-020-B | | | 文件編號: RD-TD-020 | | | 頁次: 2/20 | |
|-------------------|----|----|------------------|--------------------|---|----------|---|
| 版本: 1.0 | | | 機種編號: AC005{GK1} | | 文件序號: | | 生效日期: |
| 層次 | 類別 | 編號 | 料號 | 物料名稱 | 規格描述 | 用量 | 位號及備注 |
| 04-1 | B | 21 | R2320K004100 | M/O | 1/8W,20KΩ,±1%,brede style | 1 | R13 |
| 04-1 | B | 22 | R2321K004100 | M/O | 1/8W,21KΩ,±1%,brede style | 2 | R8 R29 |
| 04-1 | B | 23 | R2329K404100 | M/O | 1/8W,29.4KΩ,±1%,brede style | 3 | R21-22,R9 |
| 04-1 | B | 24 | R2329K404100 | M/O | 1/8W,29.4KΩ,±1%brede style | 1 | R11 |
| 04-1 | B | 25 | R351K0006100 | MO/R | 1/2W,1KΩ,±5%,brede style | 2 | R78 |
| 04-1 | B | 26 | Q10102116011 | C/C | 10PF,VDC50,+/-5%,NPO,vertical and basin type,brede style,brown | 4 | 1C16 1C21,C17,C5 |
| 04-1 | B | 27 | Q10472116011 | C/C | 47PF,VDC50,+/-5%,NPO,vertical and basin type,brede style,brown | 3 | C85 C7 C20 |
| 04-1 | B | 28 | Q10682116011 | C/C | 68PF,VDC50,+/-5%,NPO,vertical and basin type,brede style,brown | 8 | 1C17 1C37 2C13-14,3C13-14 4C13-14 |
| 04-1 | B | 29 | Q11012116011 | C/C | 101,VDC50,+/-5%,NPO,vertical and basin type,brede style,brown | 2 | C79 C81 |
| 04-1 | B | 30 | Q11042556011 | C/C | 104,VDC50,+80/-20%,Y5V,vertical and basin type,brede style,brown | 18 | 1C27-28 1C30-31 2C20-21 C40-45 C82-83,3C20-21 4C20-21 |
| 04-1 | C | 1 | R1311K006410 | C/R | 1/8W,11KΩ,±5%,vertical,P=2.5MM,cutting the pin | 4 | 3R12,3R17,4R12 , 4R17 |
| 04-1 | C | 2 | R236K2004410 | M/O | 1/8W,6.2KΩ,±1%,vertical ,P=2.5mm,cutting the pin to be 6MM | 1 | R1 |
| 04-1 | C | 3 | R2310K004410 | M/O | 1/8W,10KΩ,±1%,vertical,P=2.5mm,cutting the pin | 3 | R28,R4.1R22 |
| 04-1 | C | 4 | R351K0004240 | MO/R | 1/2W,1KΩ,±5%,vertical,P=7.5mm,cutting the pin to | 1 | R57 |
| 04-1 | C | 5 | C12213736C10 | E/C | 220uF/10V,±20%, -40/+85°C,Φ5*11mm,P=2mm,black,cutting the pin to be 6MM | 6 | 1C20,1C36,2C16,3C15-16 4C15 |
| 04-1 | C | 6 | C147R5736C10 | E/C | 47uF/25V,±20%, -40/+85°C,Φ5*11mm,P=2mm,black,cutting the pin to be 6MM | 23 | 1C8 1C32 1C50 1C52 ,1C90 2C9,2C11,2C12 ,C1 C9-10, C13 C21-22 C78 C80 C84,C69,3C9,3C11,3C12 4C9,4C12 |
| 04-1 | C | 7 | C247R5732C10 | superminiature E/C | 47uF/25V,±20%, -40/+85°C,Φ5*7mm,P=2.0mm,black,cutting the pin to be 6MM | 6 | 2C10,4C10,11,C70,3C10,1C88 |
| 04-1 | C | 8 | C22213732C10 | superminiature E/C | 220uF/10V,±20%, -40/+85°C,Φ5*7mm,P=2.0mm,black,cutting the pin to be 6MM | 2 | 2C15,4C16 |
| 04-1 | C | 9 | Q22224108325 | polyester capaci | 222,VDC100,+/-5%,vertical adhesive type,P=3.5mm,cutting the pin to be 6MM,green | 4 | C6,C8 C18-19 |
| 04-1 | C | 10 | Q23924108325 | polyester capaci | 392,VDC100,+/-5%,vertical adhesive type,P=3.5mm,cutting the pin to be 6MM,green | 4 | 1C15 1C22 C2 C14 |

擬制:

審核:

批准:

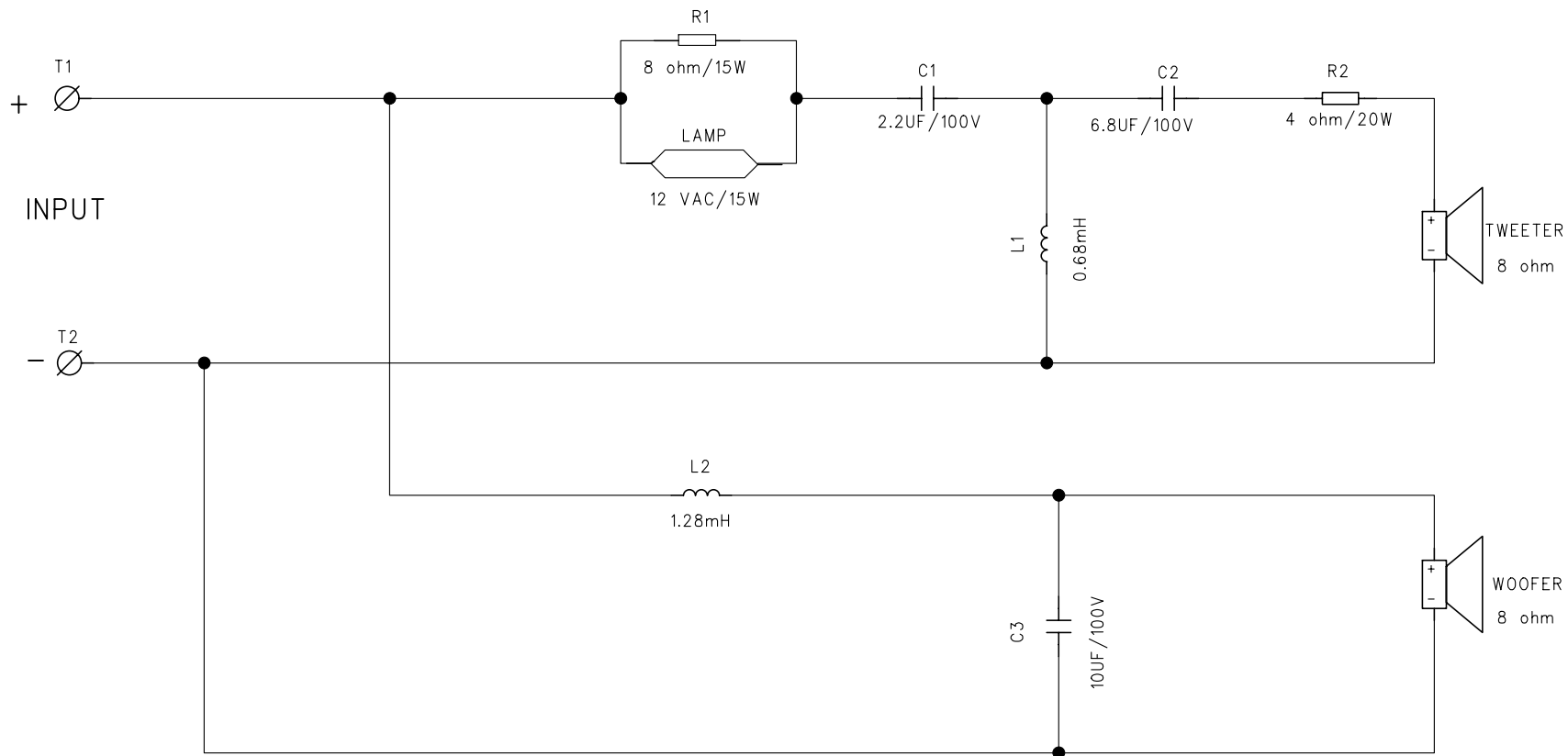
受控 BOM

| 表格編號: RD-QT-020-B | | | 文件編號: RD-TD-020 | | | 頁次: 3/20 | |
|-------------------|----|----|------------------|--------------------------|--|----------|--------------------------------|
| 版本: 1.0 | | | 機種編號: AC005{GK1} | | 文件序號: | | 生效日期: |
| 層次 | 類別 | 編號 | 料號 | 物料名稱 | 規格描述 | 用量 | 位號及備注 |
| 04-1 | C | 11 | Q22234108625 | polyester capaci | 223,VDC100,+/-5%,vertical adhesive type,P=5mm,cutting the pin to be6MM,green | 8 | 1C13--14 1C29 1C35 C3-4 C15-16 |
| 04-1 | C | 12 | JP4013202130 | jack | AN-JP401,2532-02,柏盛(180degree,P=2.5mm) | 1 | LED |
| 04-1 | C | 13 | JP4023202150 | jack | AN-JP402,2532-02,冠福(180degree,P=2.5mm) | | |
| 04-1 | C | 14 | JP4033202160 | jack | AN-JP403,2532-02,洪揚(180degree,P=2.5mm) | | |
| 04-1 | C | 15 | JP802B26Y370 | board-to-board connector | AN-JP801,2.54B-2-6Y,精實(6P,P=2.54,180degree) | 2 | J1-A,J2-A |
| 04-1 | D | 1 | U84580L14070 | IC | NJM4580L,SIP8,JRC | 10 | 1U4-5 2U2 U1-3 U7-8,3U2 4U2 |
| 04-1 | D | 2 | V15D1103RV10 | rotary VR | AN-V15D,single connector,A10K,RV09B-40E1N-165F-A10K-A,艾華,without nut and gasket | 4 | 1VR5 2VR2,3VR2 4VR2 |
| 04-1 | D | 3 | V12N2103RV10 | rotary VR | AN-V12N,double connector,A10K,RV112B-40E1N-175A-A10K-A,艾華,without nut and gasket | 5 | 1VR3 2VR1 VR4,3VR1 4VR1 |
| 04-1 | D | 4 | V15C2503RV10 | rotary VR | AN-V15C,double connector,B50K,RV112B-40E1N-175A-B50K-A(ALPHA),sime-circle handle,L=17.5MM with midpoint N | 5 | 1VR1-2 VR1-3 |
| 04-1 | D | 5 | S81100B12080 | code switch | AN-S811,ES162102E0B-HA1-16P9-FE200B120,升威 | 1 | S2 |
| 04-1 | D | 6 | W144661150K3 | ribbon wire | AN-W144,6P,22#,UL1007,150mm,red,black,red,black,red,black,柏盛(one end punch2530socket,one end punch 2520) | 1 | CN4-A |
| 04-1 | D | 7 | WD108HC400K4 | 屏蔽附线 | AN-WD10,8P,24#/22#,UL1007/UL2725,400mm,white,green,black,yellow,black,red,and groundwire is red,宏揚(one end punch socket 2530H-08,one end punch 2520) | 1 | CN1-B |
| 04-1 | D | 8 | W54357940084 | shield wire | AN-W543,5P,24#,UL2725,400mm,,gray(black,green,white and the groundwire is red),宏揚(one end punch 2530socket,one end | 1 | CN6-B |
| 04-1 | D | 9 | W542479400K4 | shield wire | AN-W542,4P,24#,UL2725,400mm,gray(black,green,white and the groundwire is red),宏揚(one end punch 2530 socket,one end punch 2520) | 1 | CN3-A |
| | | | | | | | |

擬制:

審核:

批准:



| | | | | | | | | | |
|-----------------------|--------|----------|-----------|----------|----------------------------|----------|----------|-----------|--------|
| COMPANY: | | | | | HOMNI ENTERPRISES CO.,LTD. | | | | |
| TITLE: | | | | | GK1 CROSSOVER | | | | |
| DRAWN: | DATED: | CHECKED: | APPROVED: | DATED: | DRAWN: | DATED: | CHECKED: | APPROVED: | DATED: |
| | | | | | Xu Li | 04.07.29 | | | |
| DWG NO.: PT-X-XXXX-XX | | SCALE: | SIZE:A3 | REV:1.00 | SHEET: 1 OF 1 | | | | |