

ALLEN & HEATH



WARNING – HIGH VOLTAGES

Power Supply Unit (PSU) work should only be carried out by qualified personnel.

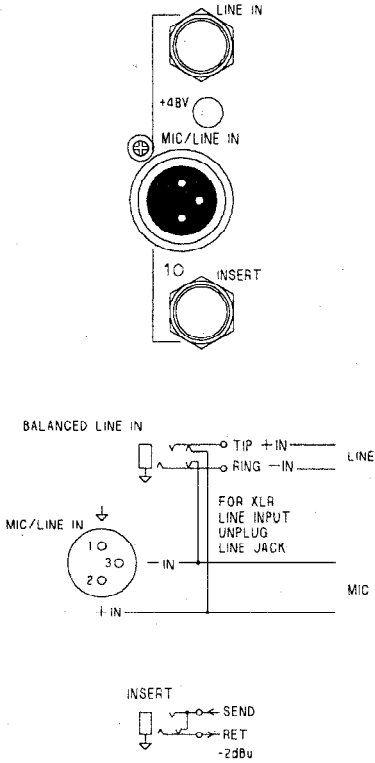
We recommend that you use an approved Allen & Heath service centre for all power supply work.

Please contact your local Allen & Heath distributor for more details.

<http://www.allen-heath.com/>

INPUT CHANNEL

* = GL2-S

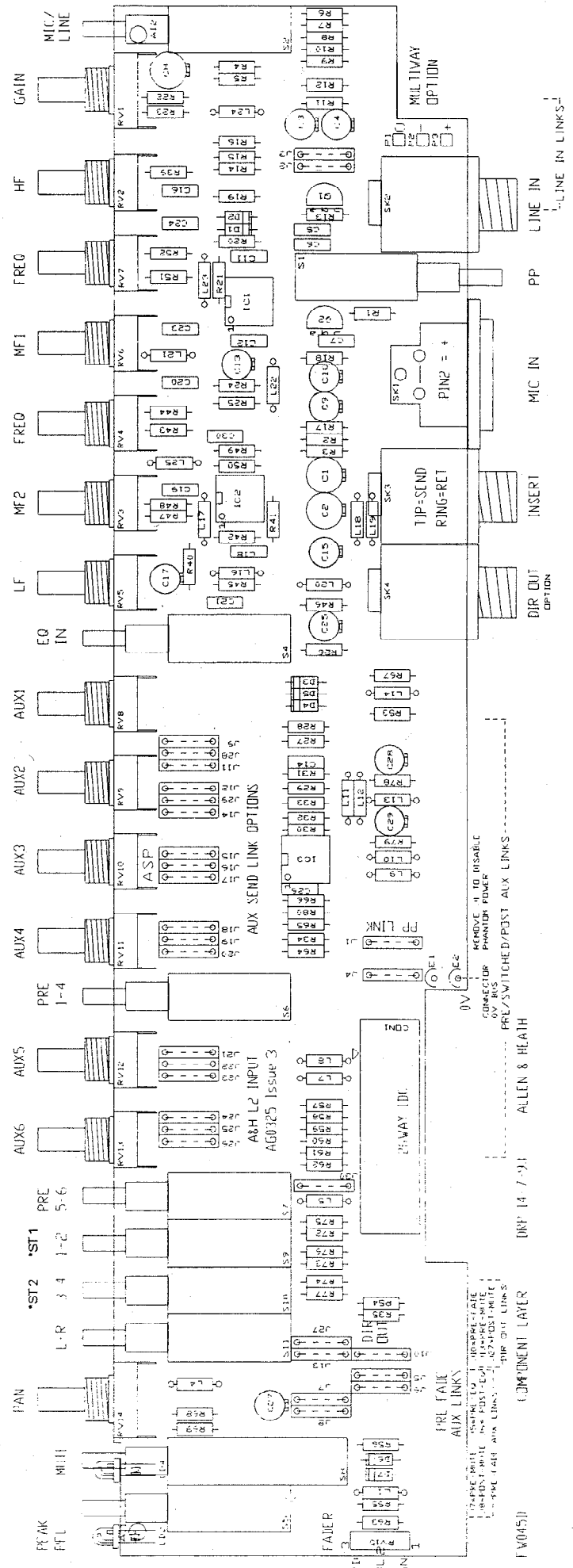


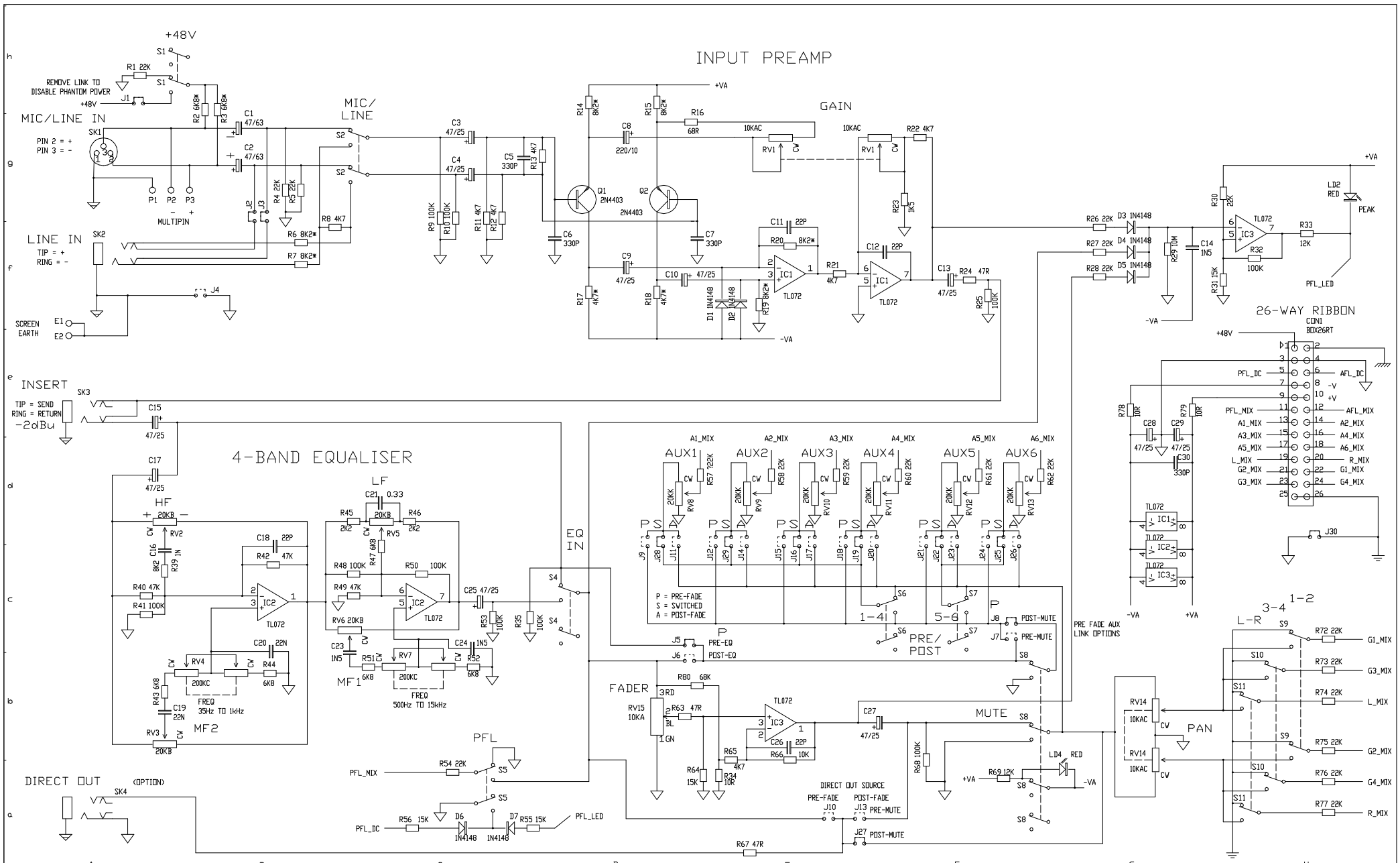
10

Controls:

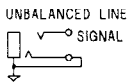
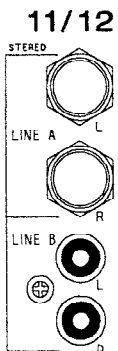
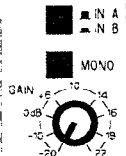
- GAIN:** Knob with MIC and LINE settings.
- HF FREQ:** Knob with 14, 20, 30, 50, 100, 200, 500, 1000 Hz markings.
- MF1 FREQ:** Knob with 14, 20, 30, 50, 100, 200, 500, 1000 Hz markings.
- LF FREQ:** Knob with 14, 20, 30, 50, 100, 200, 500, 1000 Hz markings.
- AUX 1-6:** Six rotary switches for auxiliary inputs.
- POST PRE:** Two switches for post-preamp routing.
- *ST1:** Switch for stereo 1 (1-2).
- *ST2:** Switch for stereo 2 (3-4).
- PAN:** Knob for panning (L-R).
- MUTE:** Switch for muting.
- PFL:** Switch for pre-fader listen.
- PEAK:** LED indicator for peak detection.
- Level Meters:** Two meters with 0, 10, 20, 30, 40, 50, 60, 70, 80, 90, 100 dB markings.

10





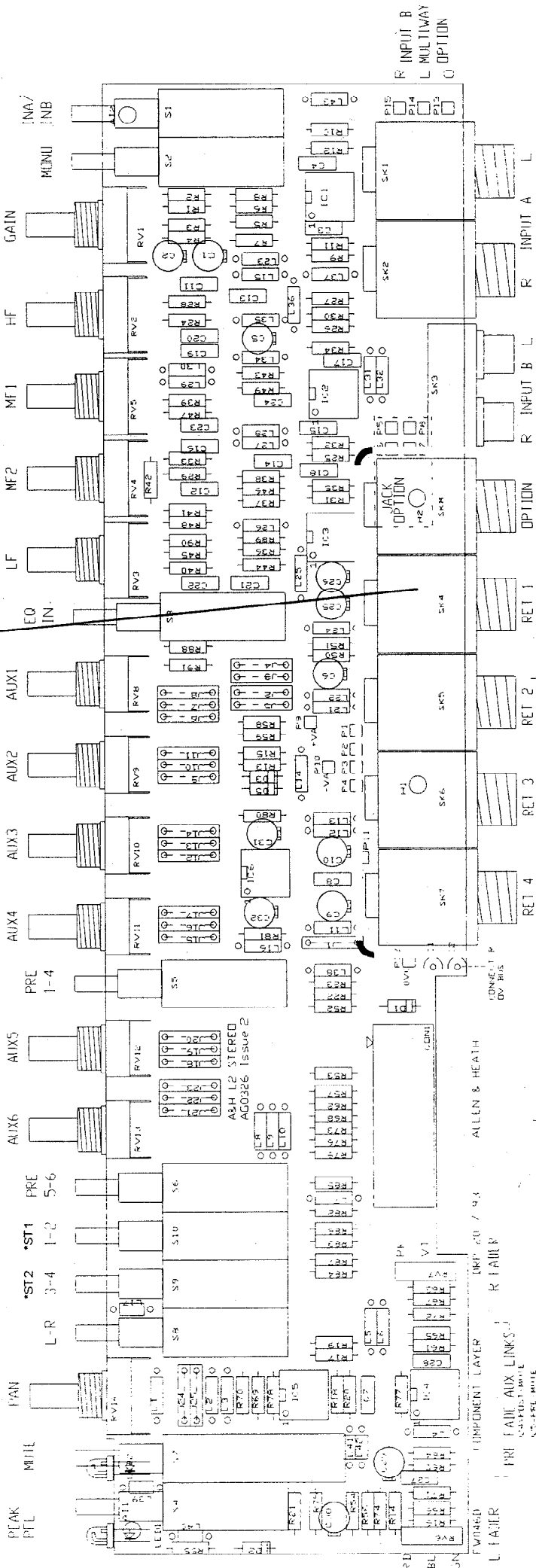
ISS.	REVISION	BY	DATE	NOTES	UNIT TITLE	MANUFACTURED IN ENGLAND BY
P1	ORIGIN	CD	12-5-93	1. RESISTORS MARKED * ARE 1% ALL OTHERS ARE 5% 1/4W UNLESS OTHERWISE MARKED 2. ELECTROLYTIC CAPACITORS ARE 16V/VOLTS	GL2	ALLEN & HEATH
1		DRP	21-7-93		DRAWING TITLE	INPUT CIRCUIT DIAGRAM PCB TYPE AG0325

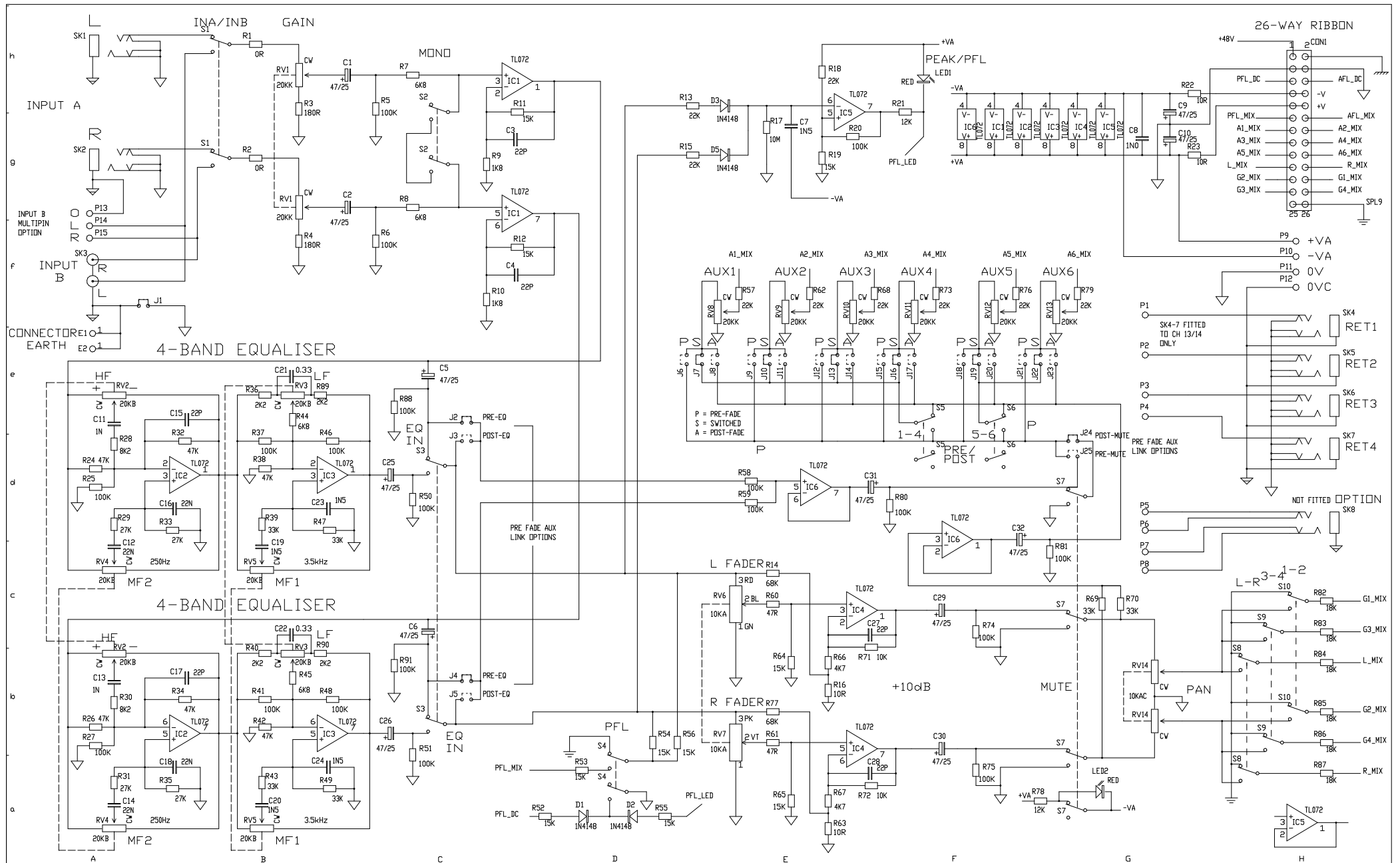


SK4, 5, 6, 7, 8 NOT FITTED ON GL2-S

* = GL2-S

STEREO CHANNEL

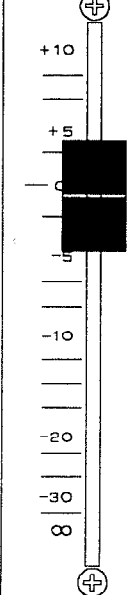
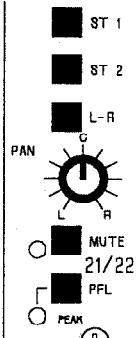
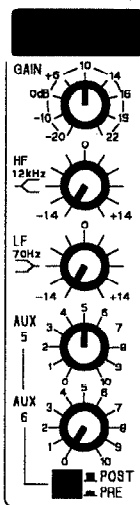
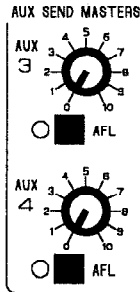
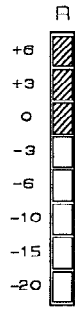
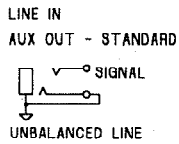
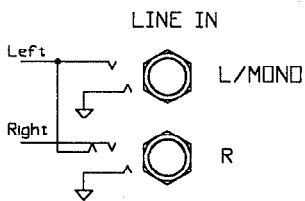
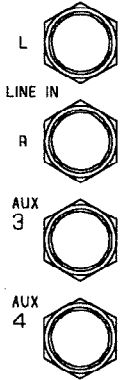




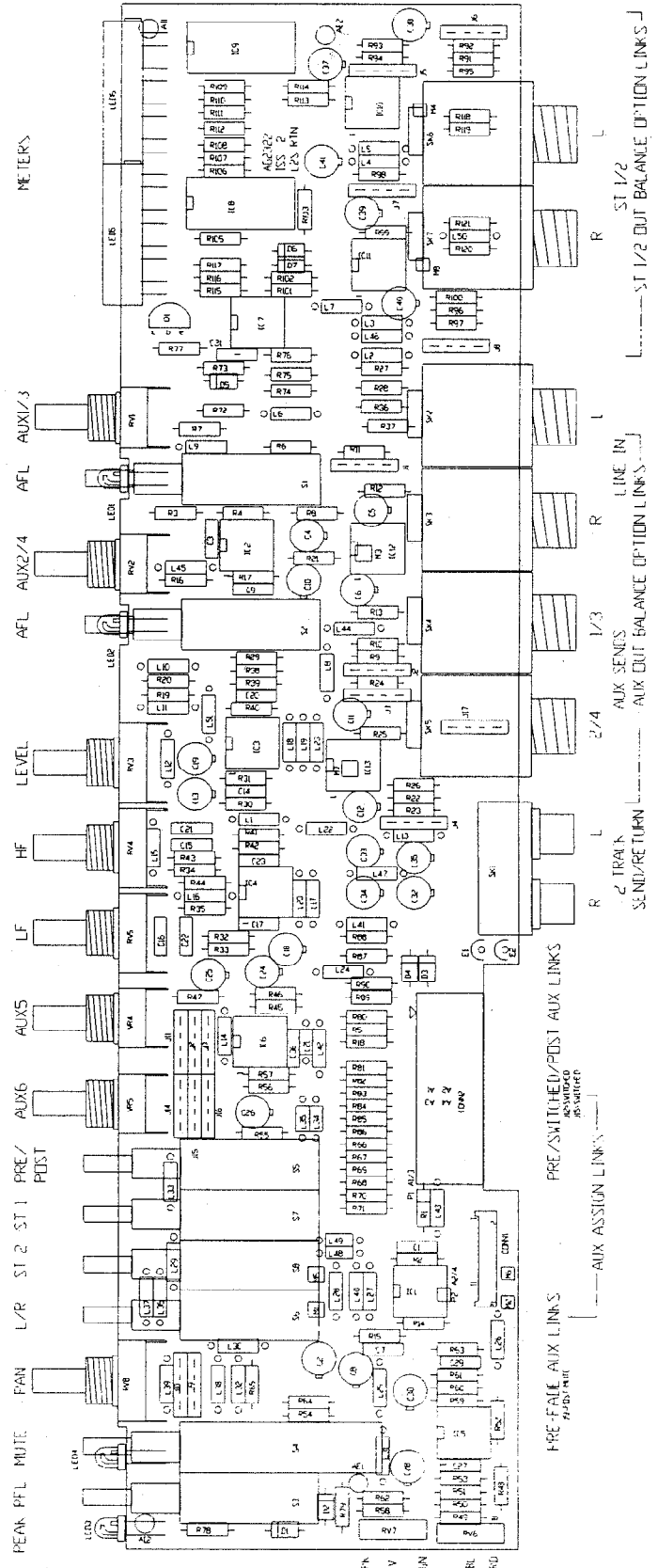
ISS.	REVISION	BY DATE	NOTES	UNIT TITLE	MANUFACTURED IN ENGLAND BY
P1 1	ORIGIN	DRP 2-6-93 DRP21-7-93	1. RESISTORS MARKED * ARE 1% ALL OTHERS ARE 5% 1/4W UNLESS OTHERWISE MARKED 2. ELECTROLYTIC CAPACITORS ARE 16V/VOLTS	GL2 STEREO CIRCUIT DIAGRAM PCB TYPE AG0326	ALLEN & HEATH DRAWING No. D223 ISSUE 1

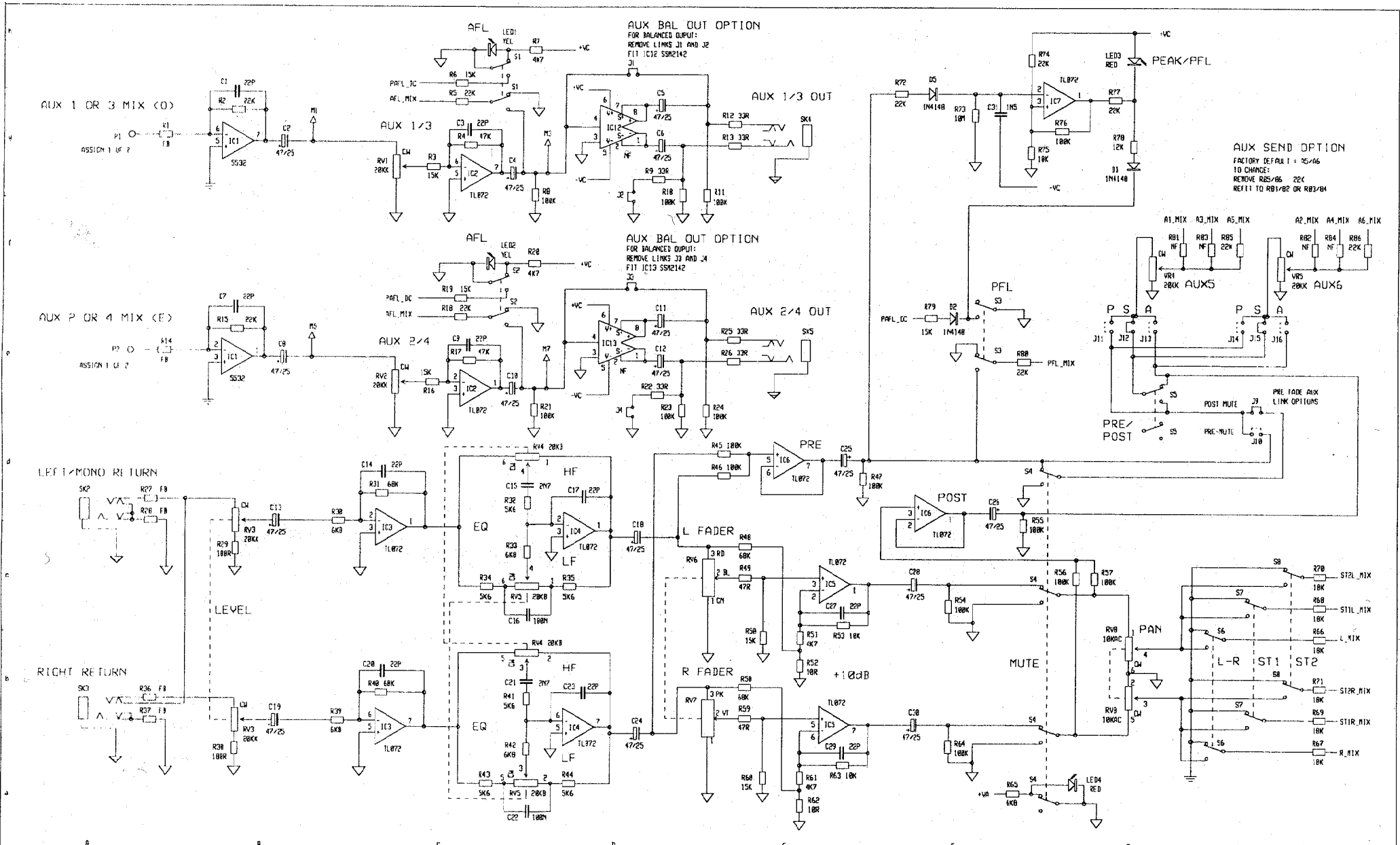
RETURN SECTION GL2-S ONLY

21/22



21 22





ISS.	REVISION	BY	DATE	NOTES
A	ORIGIN	ARJ/DLP	22/6/95	1. RESISTIONS MARKED * ARE 1% ALL OTHERS ARE 5% 1/4W UNLESS OTHERWISE MARKED 2. ELECTROLYTIC CAPACITORS ARE µF/VOLTS
1	PRODUCTION	DLP	26/7/95	

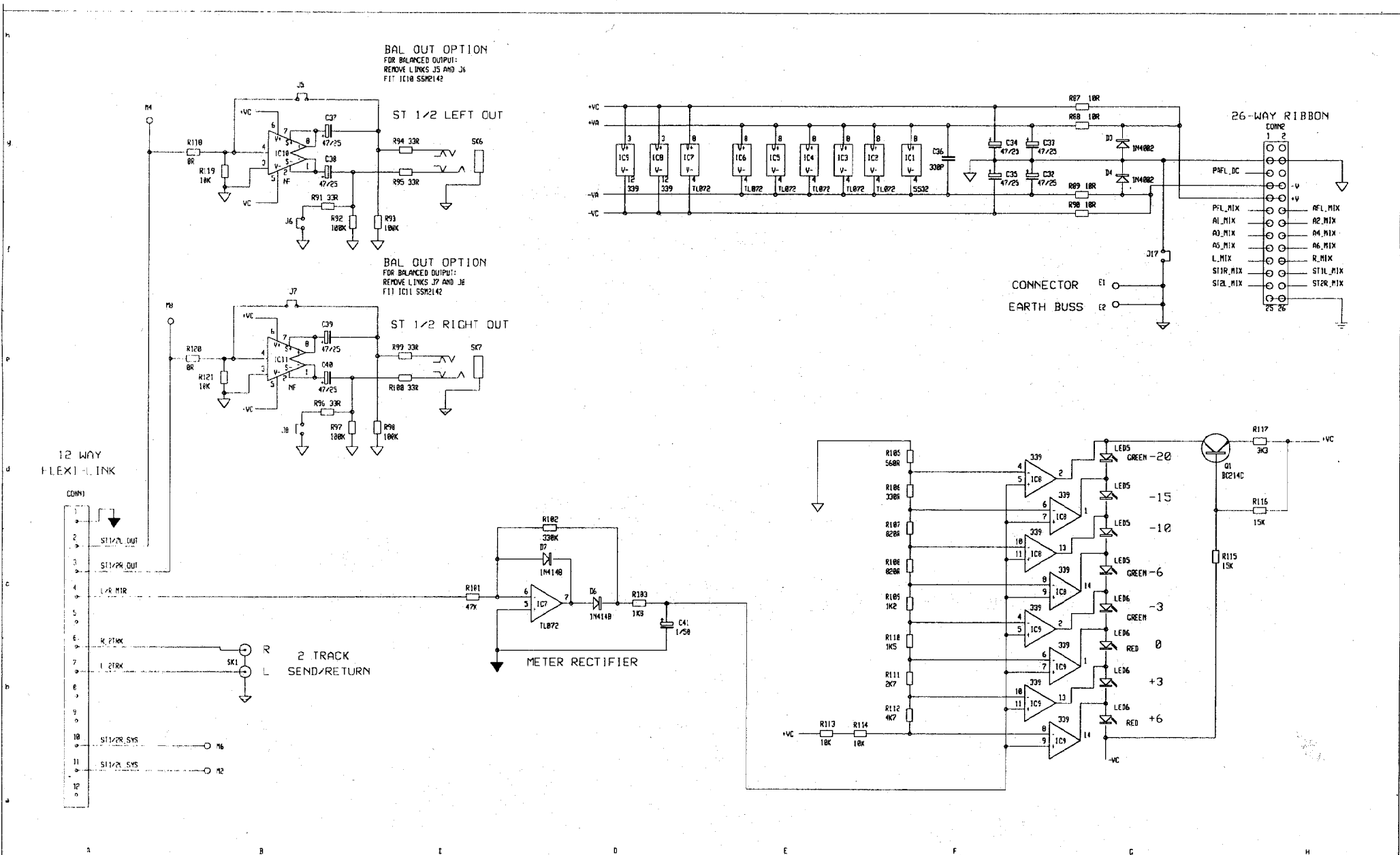
UNIT TITLE
 GL2S
 SHEET 1 OF 2

DRAWING TITLE
 RETURN CIRCUIT DIAGRAM
 PCB TYPE AG2322

MANUFACTURED IN ENGLAND BY
 ALLEN & HEATH

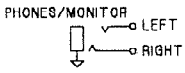
DRAWING No. C2322 ISSUE 1

A2

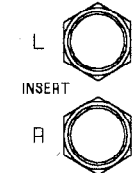
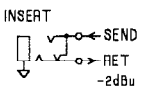
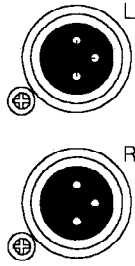
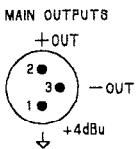
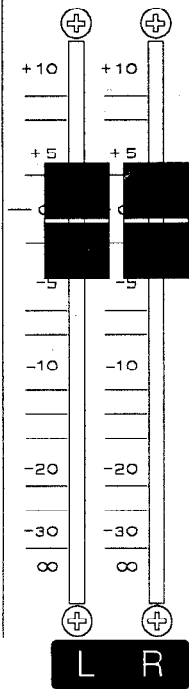
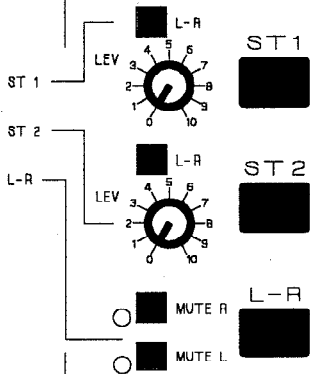
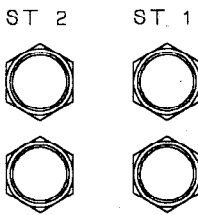
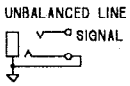
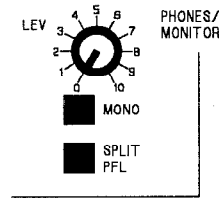
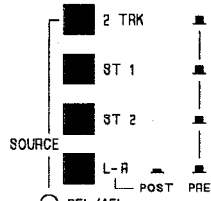
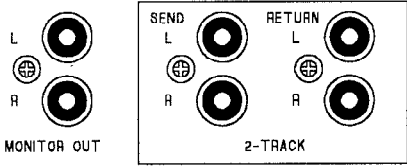
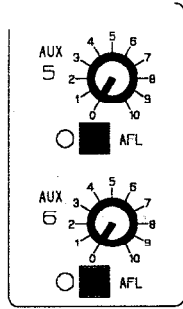
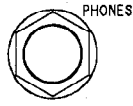


ISS.	REVISION	BY	DATE	NOTES	UNIT TITLE	MANUFACTURED IN ENGLAND BY
A	ORIGIN PRODUCTION	ARJ/DLP DLP	22/6/95 26/7/95	1. RESISTORS MARKED # ARE 1% ALL OTHERS ARE 5% 1/4W UNLESS OTHERWISE MARKED 2. ELECTROLYTIC CAPACITORS ARE 50V	GL2S SHEET 2 OF 2	ALLEN & HEATH
1					RETURN CIRCUIT DIAGRAM PCB TYPE AG2322	DRAWING No. C2322 ISSUE 1

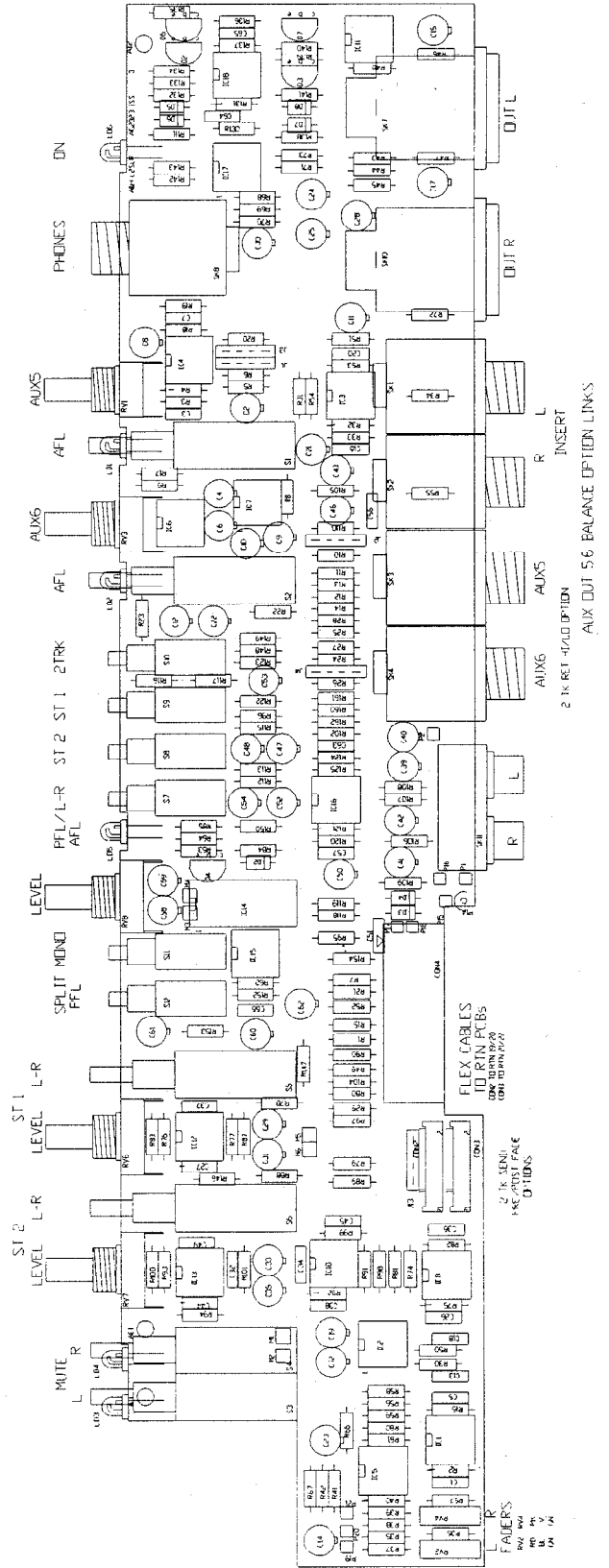
A2

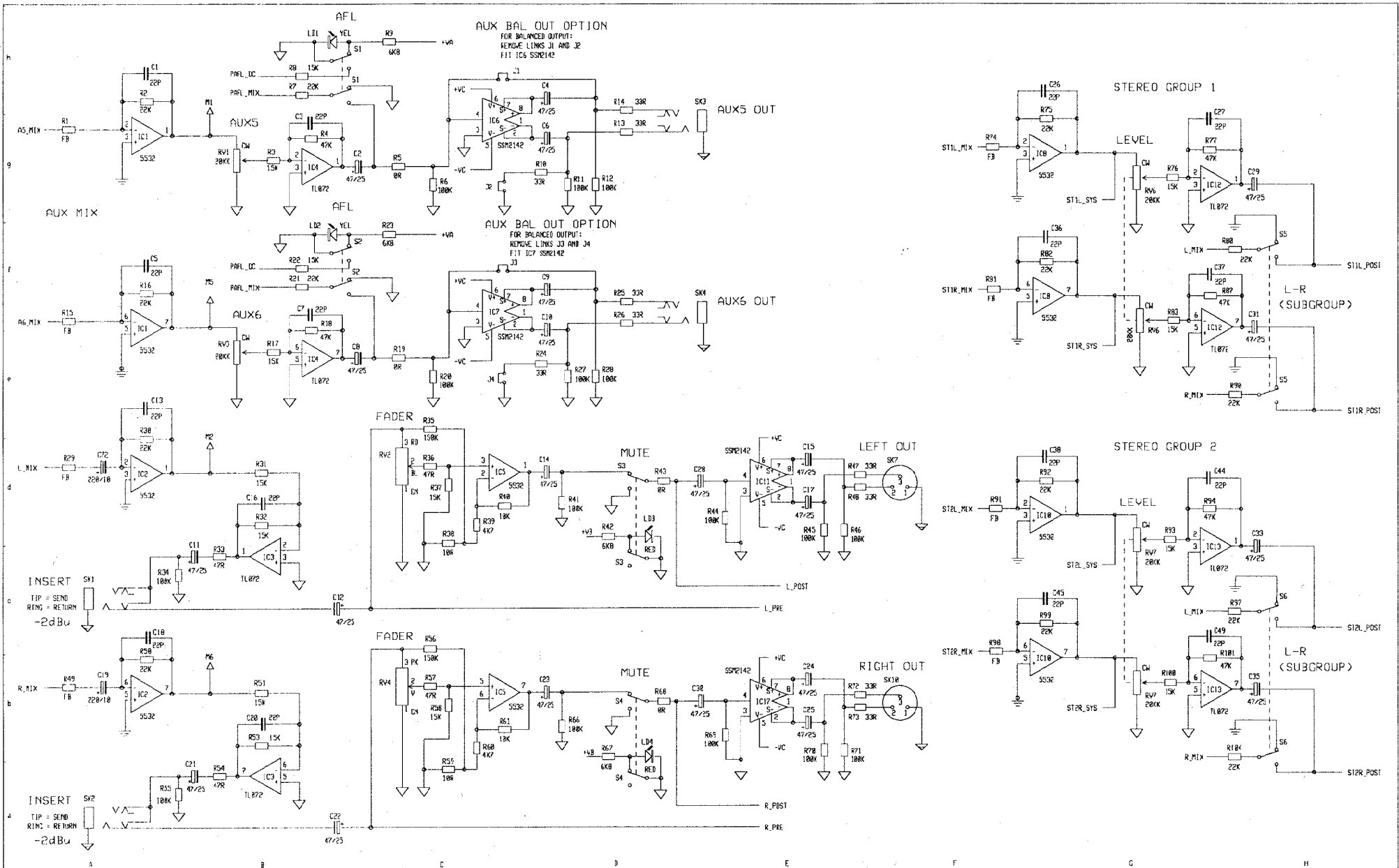


ON

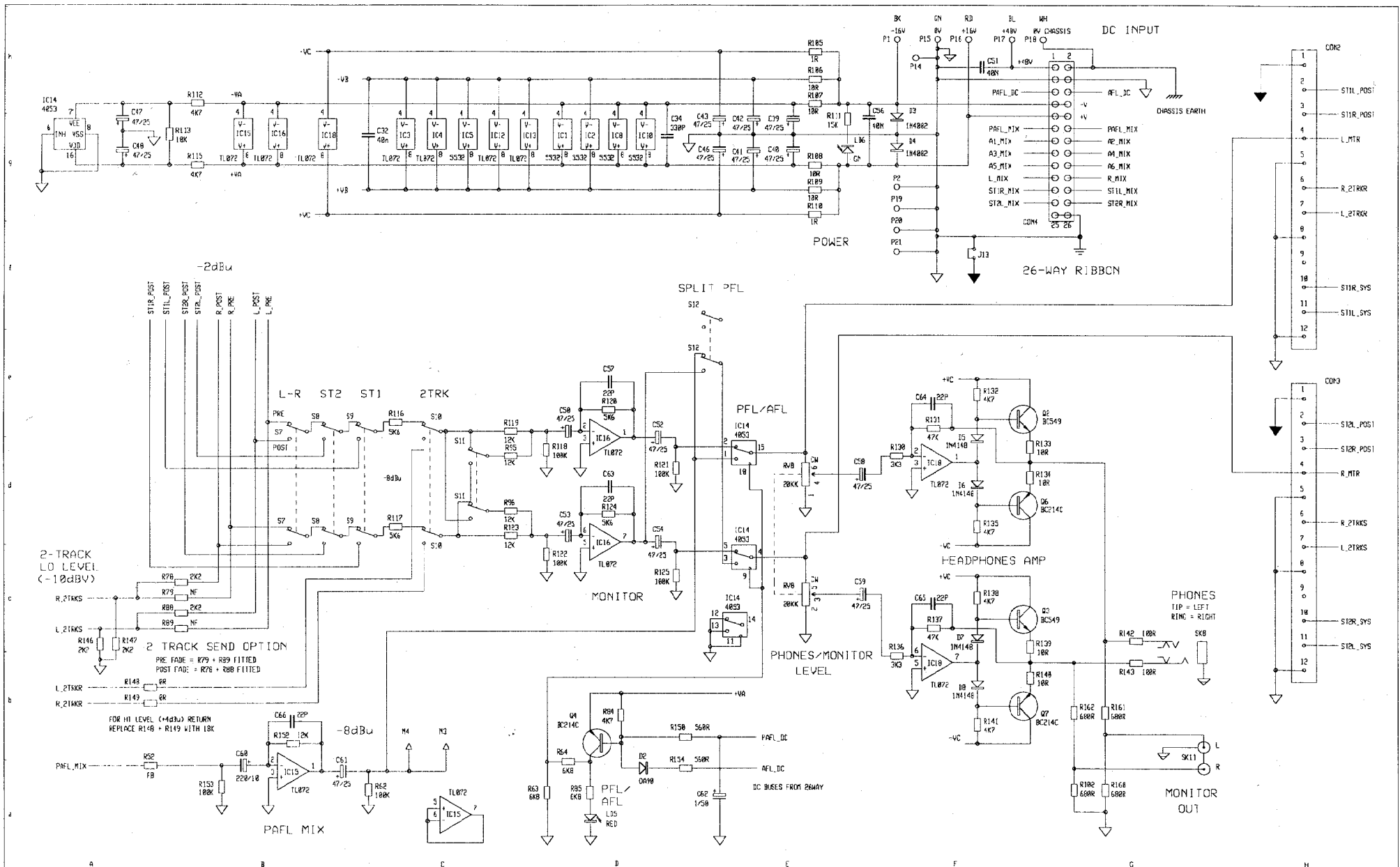


**LR SECTION
GL2-S ONLY**





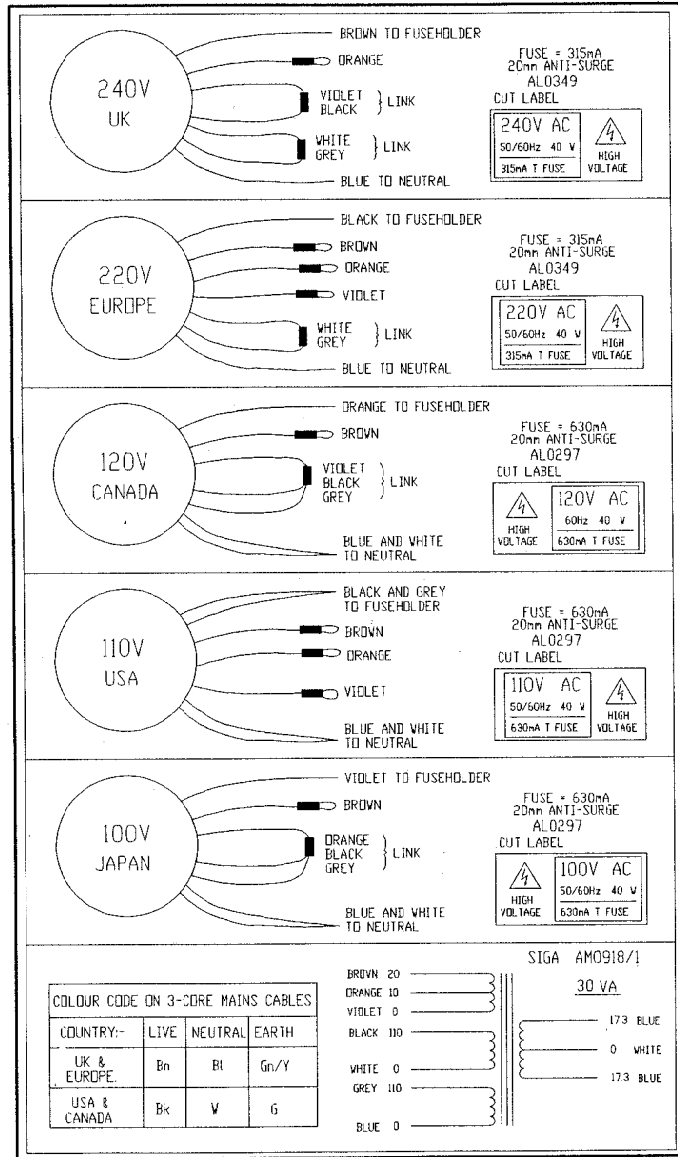
ISS.	REVISION	BY DATE	NOTES	UNIT TITLE	MANUFACTURED IN ENGLAND BY
P1	ORIGIN	ARJ 29-6-95	1. RESISTORS MARKED * ARE 1% ALL OTHERS ARE 5% 1/4W UNLESS OTHERWISE MARKED	GL2S SHEET 1 OF 2	ALLEN & HEATH
P2	UPDATES	DLP 26/7/95	2. ELECTROLYTIC CAPACITORS ARE 50V/VOLTS	DRAWING TITLE LR CIRCUIT DIAGRAM	DRAWING No. C2323
1	PRODUCTION	DLP 14/8/95		PCB TYPE AG2323	ISSUE 1



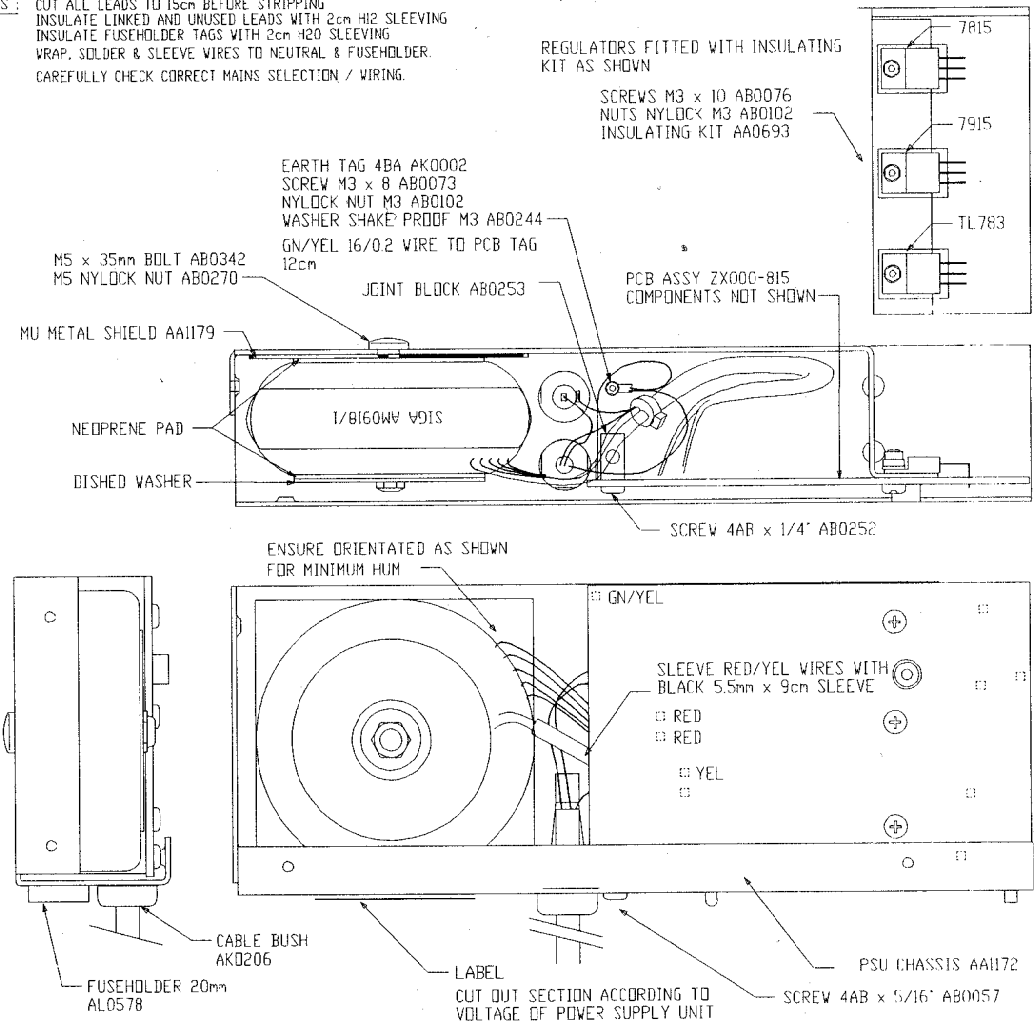
ISS.	REVISION	BY DATE	NOTES	UNIT TITLE	MANUFACTURED IN ENGLAND BY
P1	ORIGIN	ARJ 29-6-95	1. RESISTORS MARKED Φ ARE 1% ALL OTHERS ARE 5% 1/4W UNLESS OTHERWISE MARKED	GL2S S-SHEET 2 OF 2	ALLEN & HEATH
P2	UPDATES	DLP 26/7/95	2. ELECTROLYTIC CAPACITORS ARE μ F/VOLTS	DRAWING TITLE LR CIRCUIT DIAGRAM PCB TYPE AG2323	
1	PRODUCTION	DLP 14/8/95			DRAWING No. C2323 ISSUE 1

GL2 TRANSFORMER - MAINS WIRING

— = SLEEVED & UNCONNECTED.

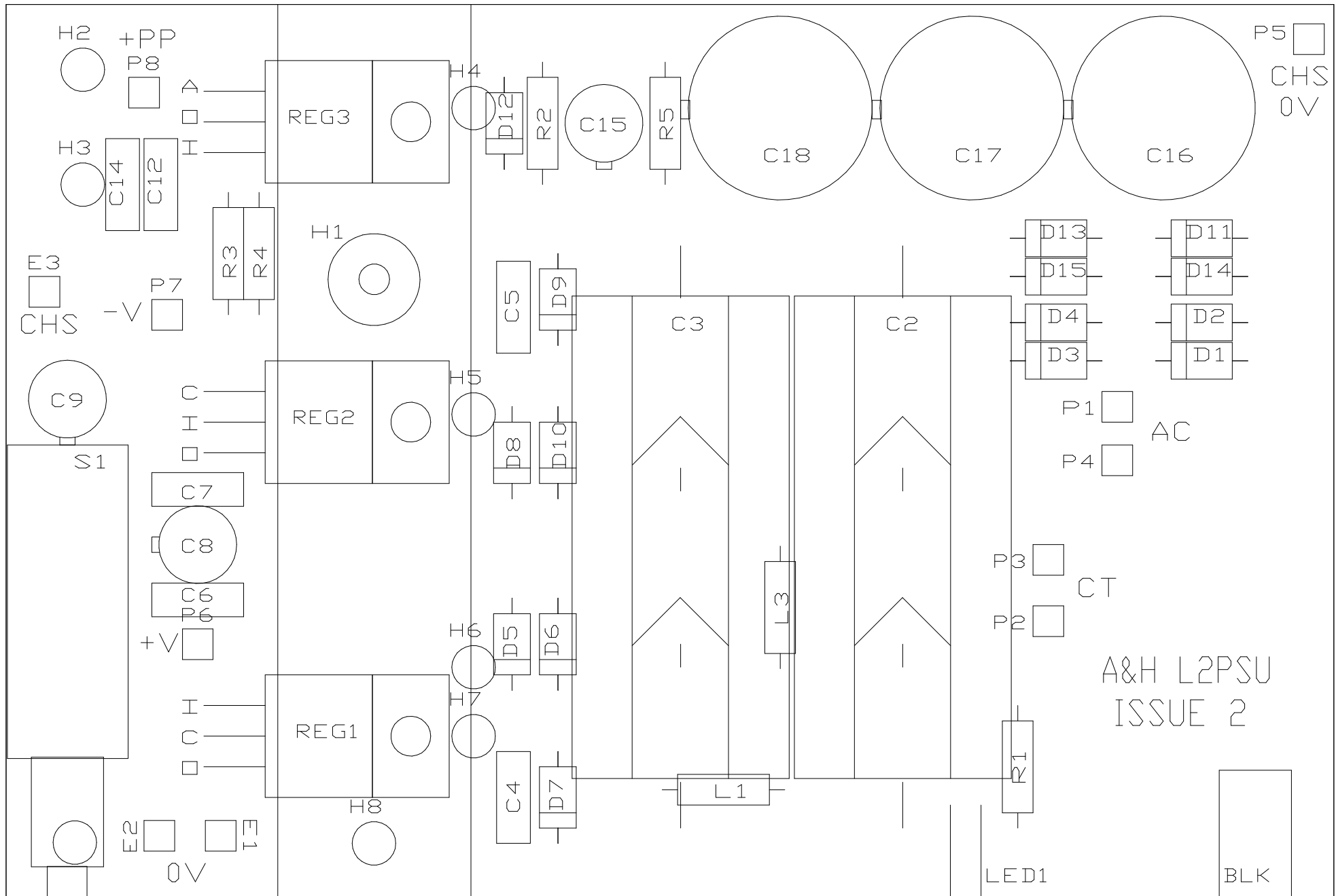


WIRING NOTES: CUT ALL LEADS TO 15cm BEFORE STRIPPING
 INSULATE LINKED AND UNUSED LEADS WITH 2cm HI2 SLEEVING
 INSULATE FUSEHOLDER TAGS WITH 2cm HI2 SLEEVING
 WRAP, SOLDER & SLEEVE WIRES TO NEUTRAL & FUSEHOLDER.
 CAREFULLY CHECK CORRECT MAINS SELECTION / WIRING.



ISSUE	REVISION	BY	DATE	DRAWING TITLE
1	PRODUCTION	DRP	24-9-93	GL2 PSU ASSEMBLY (SIGA AM0918 TRANSFORMER)
ASSEMBLY NUMBERS				
240V	ZX000-817	110/120V	ZX000-819	
220V	ZX000-818	100V	ZX000-820	

ALLEN & HEATH	ALLEN & HEATH LTD. KERNICK INDUSTRIAL ESTATE, PENRYN, CORNWALL TR10 9LU TEL 0526 372117 FAX 0526 377097
	DRAWING No D247 ISSUE 1



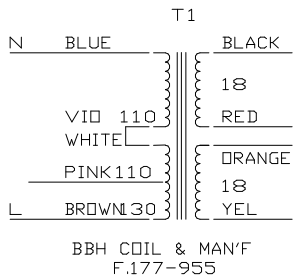
A&H L2PSU
ISSUE 2

FW049

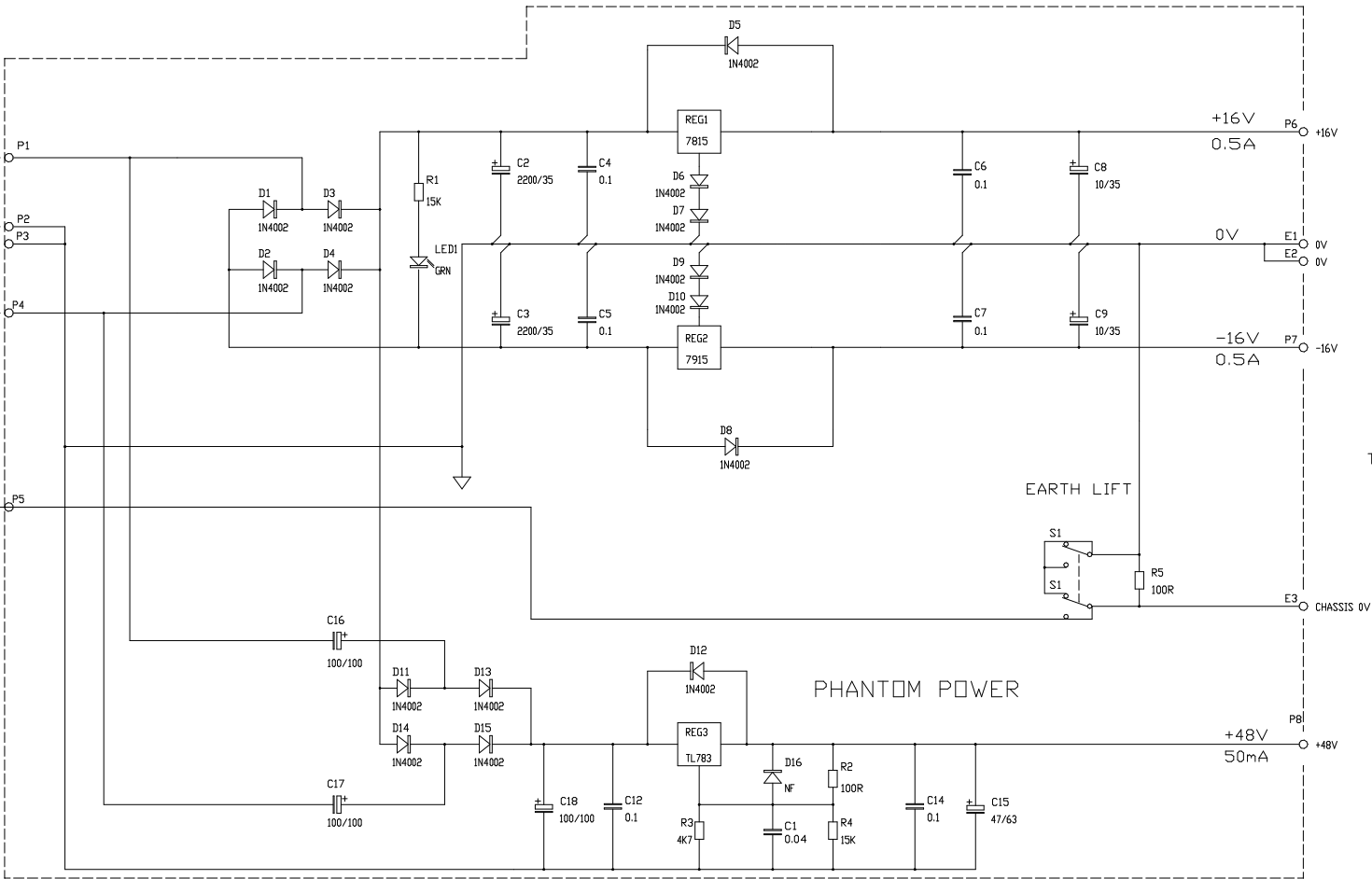
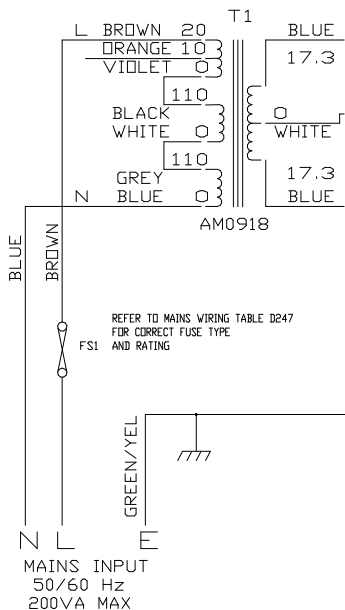
COMPONENT LAYER

ALLEN & HEATH

DANGER - HIGH VOLTAGE !
 DISCONNECT POWER BEFORE REMOVING POWER SUPPLY UNIT
 REFER SERVICE WORK TO QUALIFIED SERVICE PERSONNEL ONLY



MAINS TRANSFORMER
 REFER TO DRAWING D247



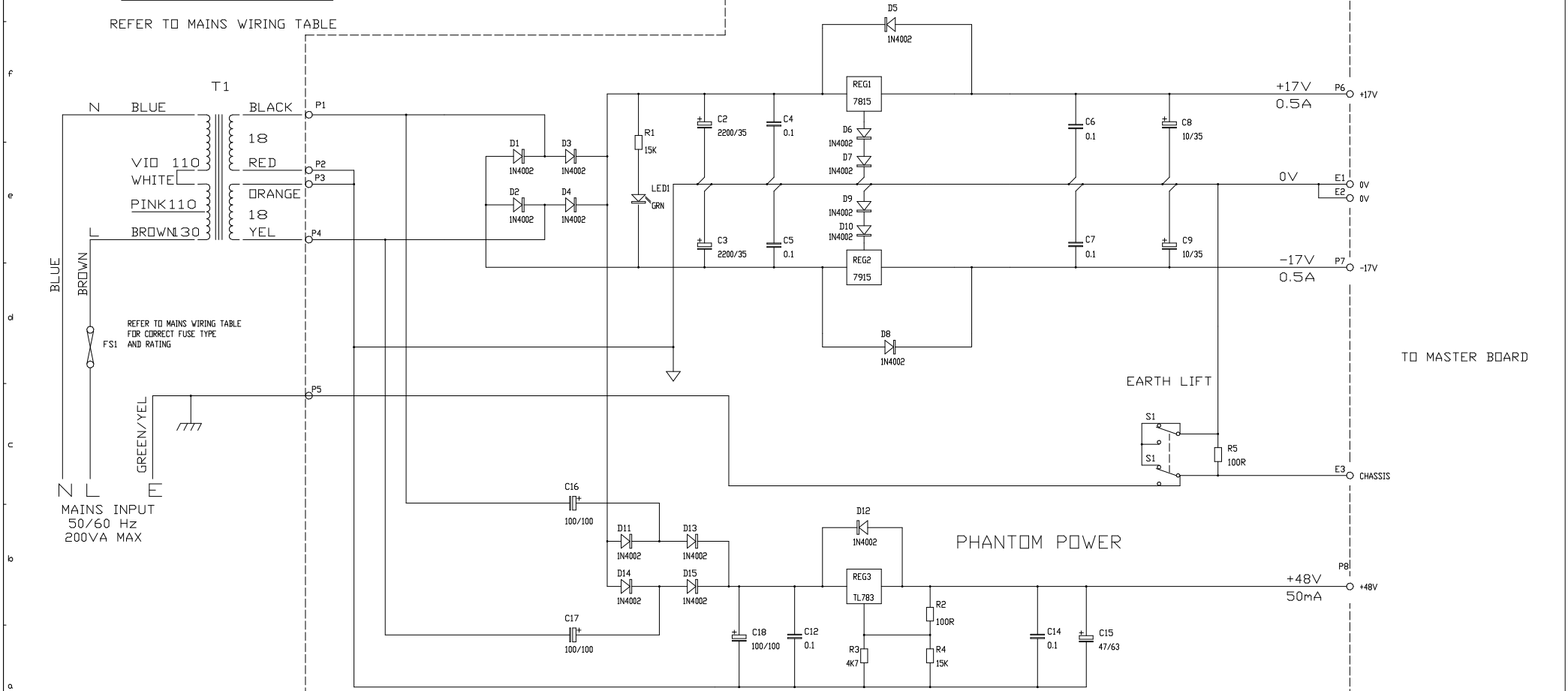
ISS.	REVISION	BY DATE	NOTES	UNIT TITLE	MANUFACTURED IN ENGLAND BY
1	ORIGIN	DRP 20-7-93	1. RESISTORS MARKED * ARE 1% ALL OTHERS ARE 5% 1/4W UNLESS OTHERWISE MARKED	GL2	ALLEN & HEATH
2	R5 100R WAS 22R T1 WIRING CHANGED	DRP 27-8-93	2. ELECTROLYTIC CAPACITORS ARE μ F/VOLTS	DRAWING TITLE	DRAWING No. D226
3	D16, C1 ADDED	DRP 28-9-93	3. REG 1,2,3 MOUNTED ON PSU CHASSIS WITH INSULATING WASHERS	PSU CIRCUIT DIAGRAM PCB TYPE AG0329	ISSUE 3

DANGER - HIGH VOLTAGE !

DISCONNECT POWER BEFORE REMOVING POWER SUPPLY UNIT
REFER SERVICE WORK TO QUALIFIED SERVICE PERSONNEL ONLY

MAINS TRANSFORMER

REFER TO MAINS WIRING TABLE



TO MASTER BOARD

ISS.	REVISION	BY	DATE	NOTES	UNIT TITLE	MANUFACTURED IN ENGLAND BY
1	ORIGIN	DRP	20-7-93	1. RESISTORS MARKED * ARE 1% ALL OTHERS ARE 5% 1/4W UNLESS OTHERWISE MARKED	GL2	ALLEN & HEATH
2	R5 100R WAS 22R T1 WIRING CHANGED	DRP	27-8-93	2. ELECTROLYTIC CAPACITORS ARE 1% VOLTS 3. REG 1,2,3 MOUNTED ON PSU CHASSIS WITH INSULATING WASHERS	DRAWING TITLE PSU CIRCUIT DIAGRAM PCB TYPE AG0329	DRAWING No. D226 ISSUE 1