

M4  
M3  
M2  
M1  
7-8  
5-6  
3-4  
1-2  
L-R

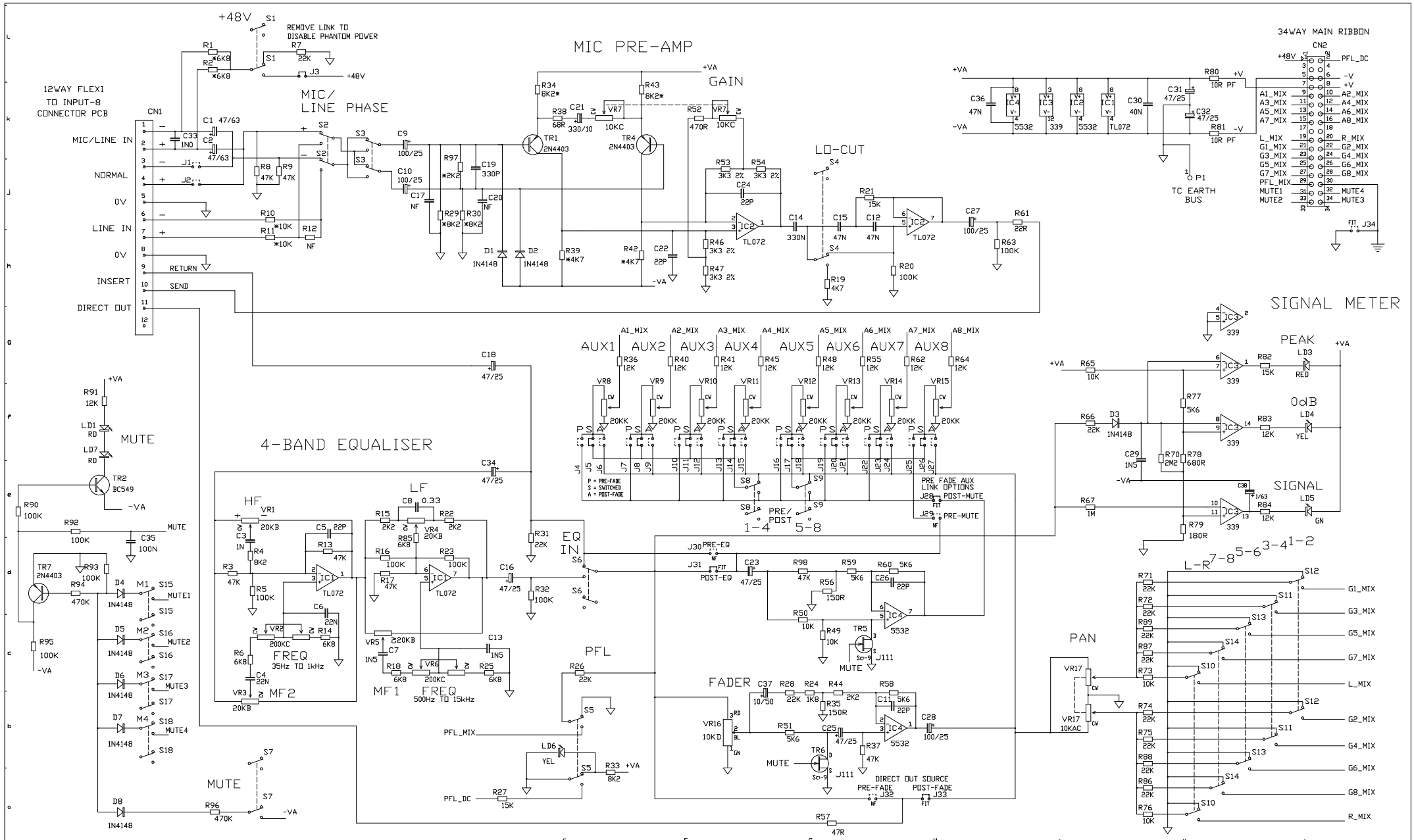
FADER

34 WAY MAIN RIBBON

CV EARTH BUS

FFC TO CONNECTOR PCB

PFL  
SIG0dBPEAK  
MUTE  
PAN  
POST/PRE  
AB  
A7  
A6  
A5  
POST/PRE  
A4  
A3  
A2  
A1  
EQ IN  
LF  
MF2  
MF1  
HF  
LOCUT  
GAIN  
LINE/ PHASE  
+48V



ISS	REVISION	BY	DATE
5	REVISED LAYOUT	ARJ	26-3-98
5.1	IC2 FROM 5532 TO TL072	DWD	30-6-99

NOTES

- RESISTORS MARKED \* ARE 1% ALL OTHERS ARE 5% 1/4W UNLESS OTHERWISE MARKED
- ELECTROLYTIC CAPACITORS ARE 50V/10% UNLESS OTHERWISE MARKED

UNIT TITLE  
**L3D**

DRAWING TITLE  
**INPUT CIRCUIT DIAGRAM**  
AG3105

MANUFACTURED IN ENGLAND BY  
**ALLEN & HEATH**

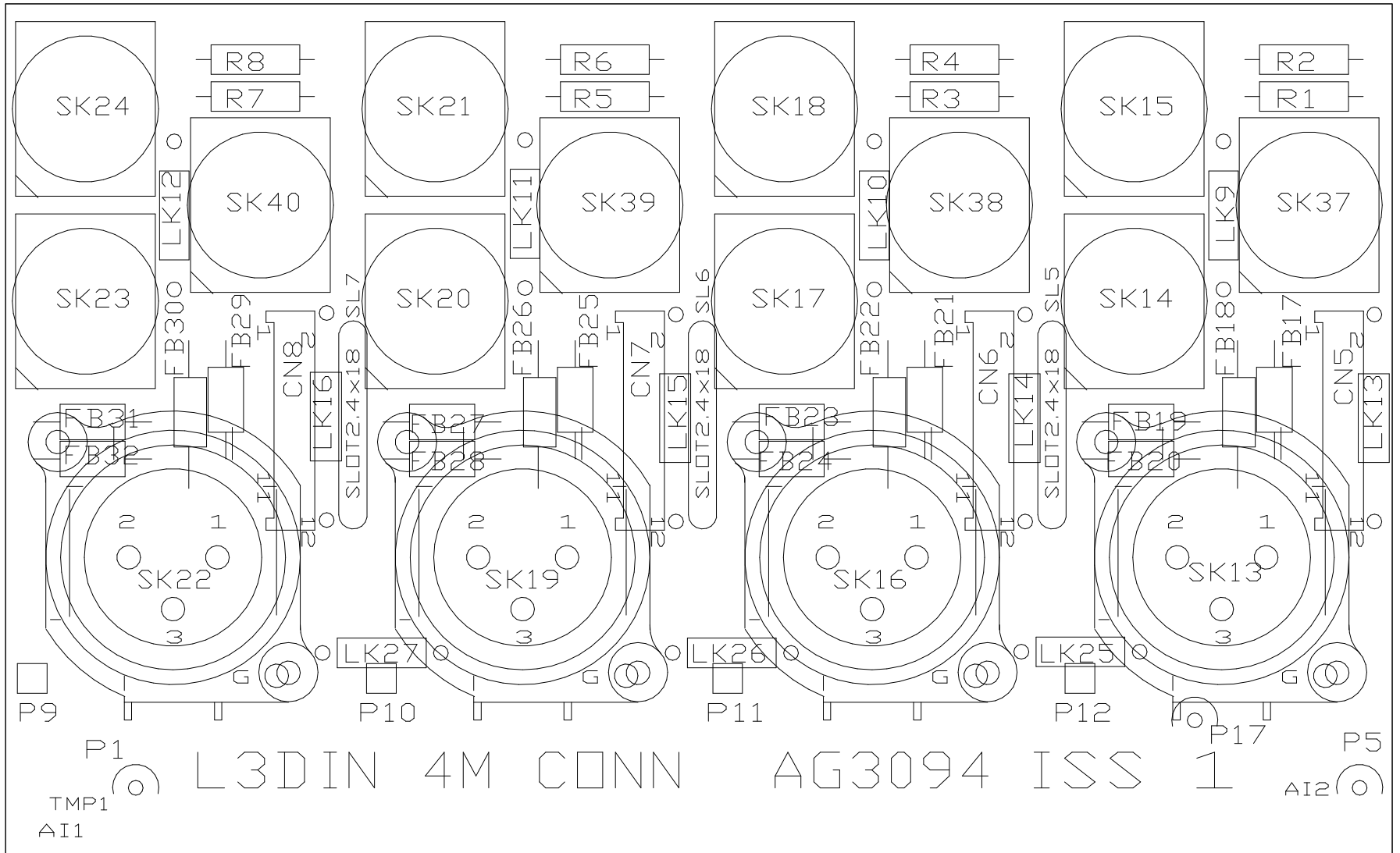
DRAWING No. **C3105** ISSUE **5.1** A1

INSERT

DIRECT OUT

LINE IN

MIC IN



P9

P10

P11

P12

P17

P5

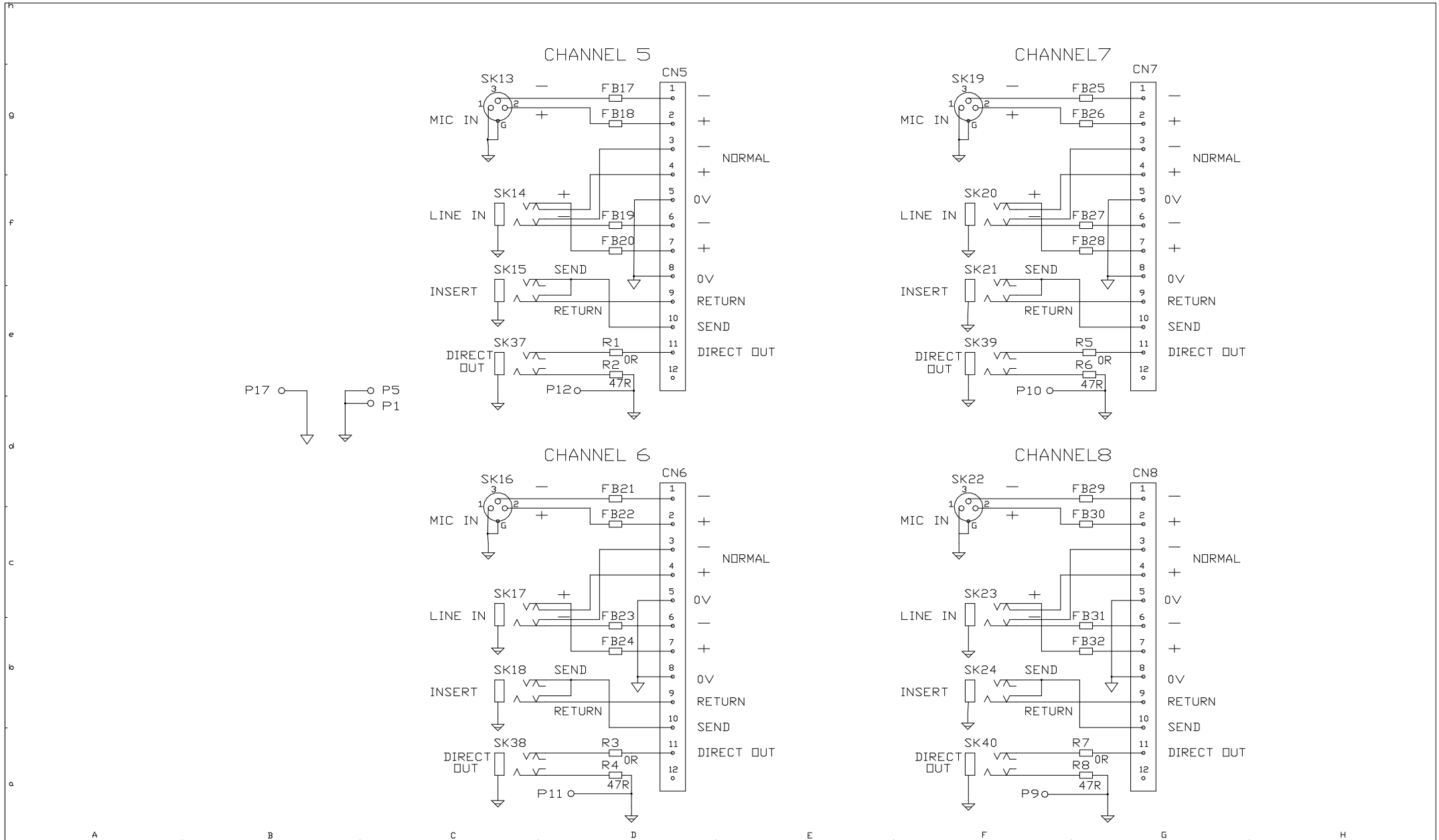
L3DIN 4M CONN AG3094 ISS 1

TMP1 AI1

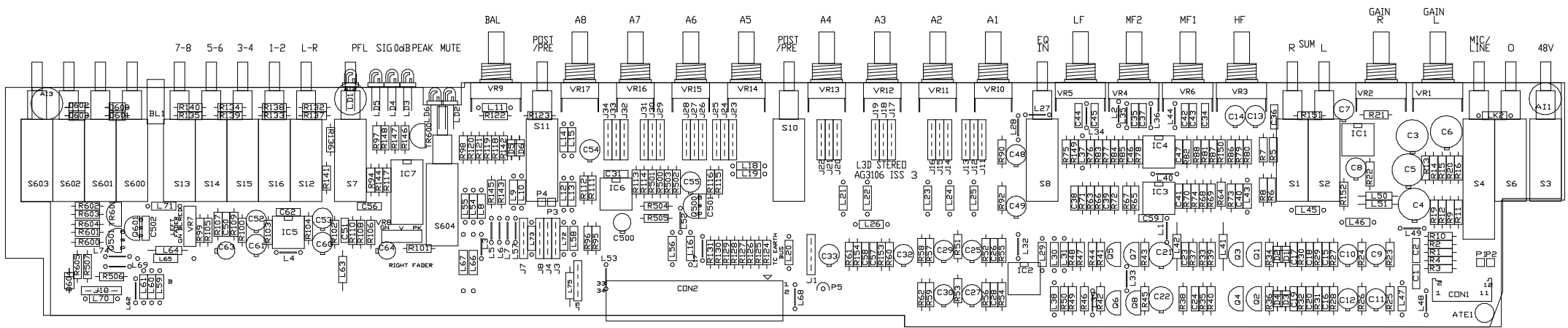
AI2

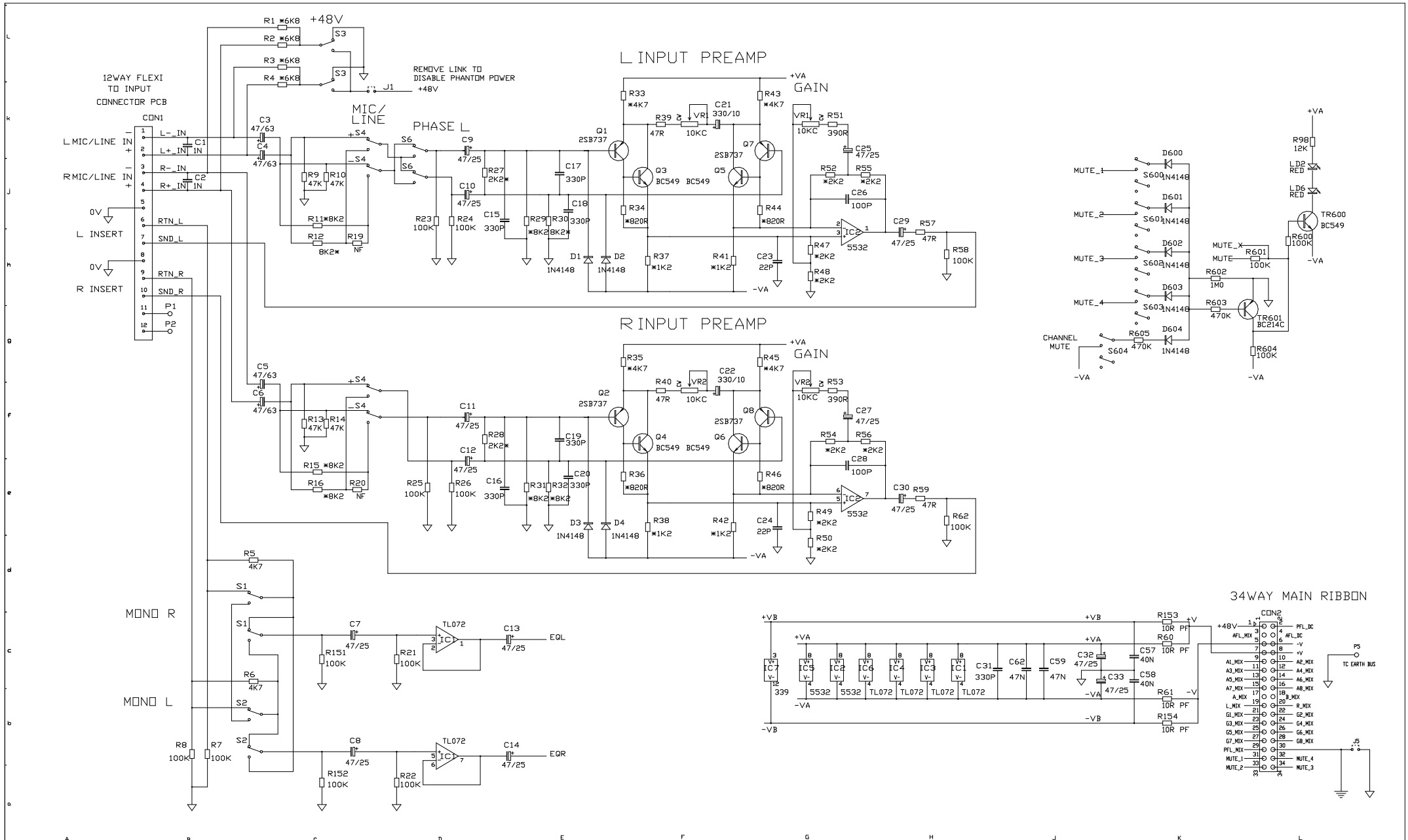
CHASSIS EARTH

AUDI EARTH  
CHASSIS EARTH



ISS.	REVISION	BY DATE	NOTES	UNIT TITLE	MANUFACTURED IN ENGLAND BY
1	ORIGIN	AAT21-04-97	1. RESISTORS MARKED * ARE 1% ALL OTHERS ARE SZ 1/4W UNLESS OTHERWISE MARKED 2. ELECTROLYTIC CAPACITORS ARE 16V/VOLTS	L3D	ALLEN & HEATH
				DRAWING TITLE	DRAWING No. C3094 ISSUE 1
				CIRCUIT DIAGRAM PCB TYPE AG3094	A2





ISS	REVISION	BY	DATE	NOTES
A	DRIGIN	AA	13-05-97	
B	UPDATE	AA	19-06-97	
1	VALUE CHANGES	DRP	14-8-97	
2	C63 & C64 FROM 1/63 TO 10/50	DW	17-10-97	

NOTES

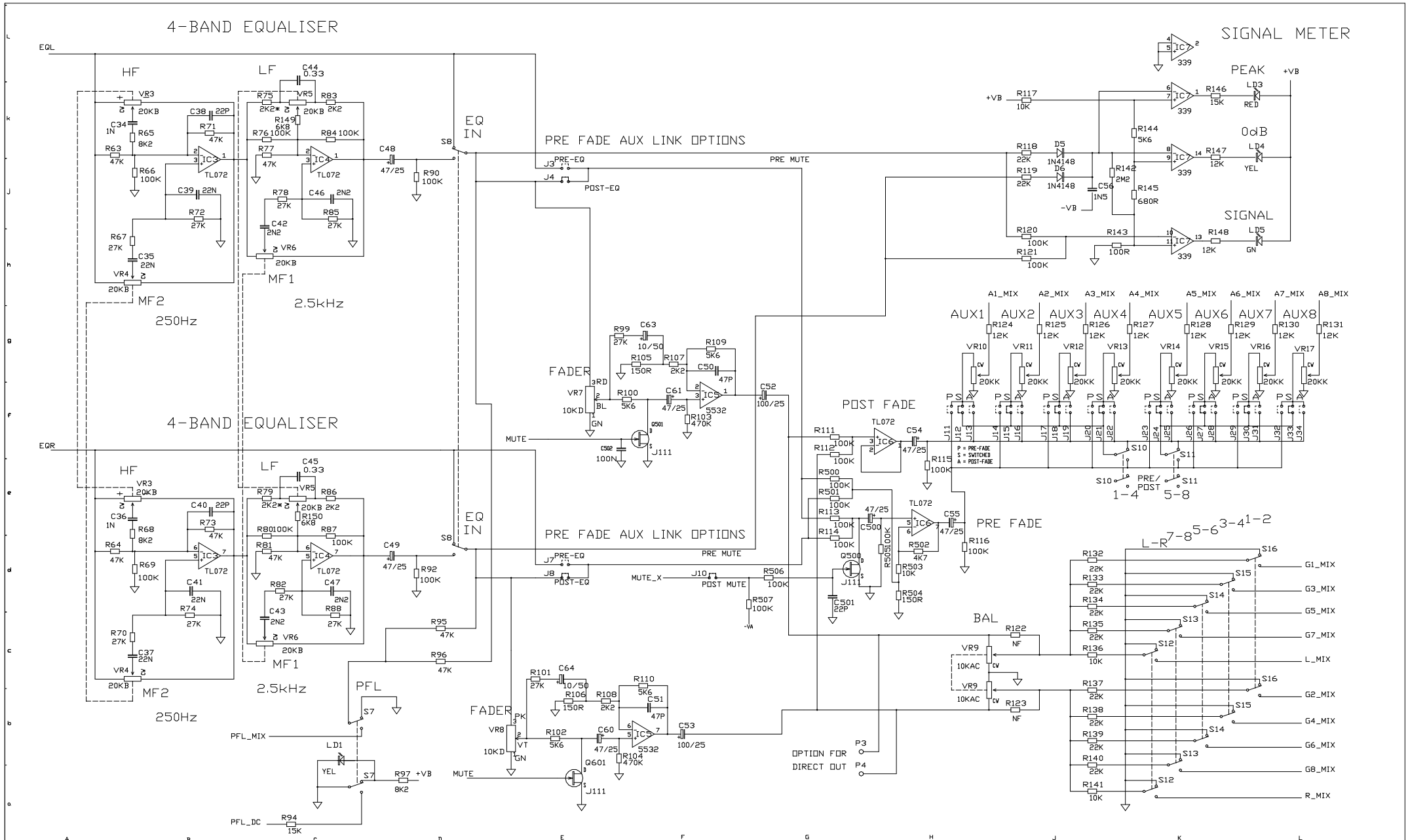
- RESISTORS MARKED \* ARE 1% ALL OTHERS ARE 5% 1/4W UNLESS OTHERWISE MARKED
- ELECTROLYTIC CAPACITORS ARE  $\tau$ /VDLTS

UNIT TITLE  
L3D

DRAWING TITLE  
STEREO  
CIRCUIT DIAGRAM  
FOR PCB TYPE

MANUFACTURED IN ENGLAND BY  
ALLEN & HEATH

DRAWING No C3106 ISSUE 2 A1



ISS	REVISION	BY	DATE	NOTES
A	ORIGIN	AA113	05-97	1. RESISTORS MARKED * ARE 1% ALL OTHERS ARE 5% 1/4W UNLESS OTHERWISE MARKED
B	UPDATE	AA119	06-97	
1	VALUE CHANGES	DRP14	8-97	2. ELECTROLYTIC CAPACITORS ARE ?F/VOLTS
2	C63 & C64 FROM	DWD17	10-97	

UNIT TITLE	L3D	PAGE 2 OF 2	MANUFACTURED IN ENGLAND BY
DRAWING TITLE	STEREO CIRCUIT DIAGRAM FOR PCB TYPE		ALLEN & HEATH

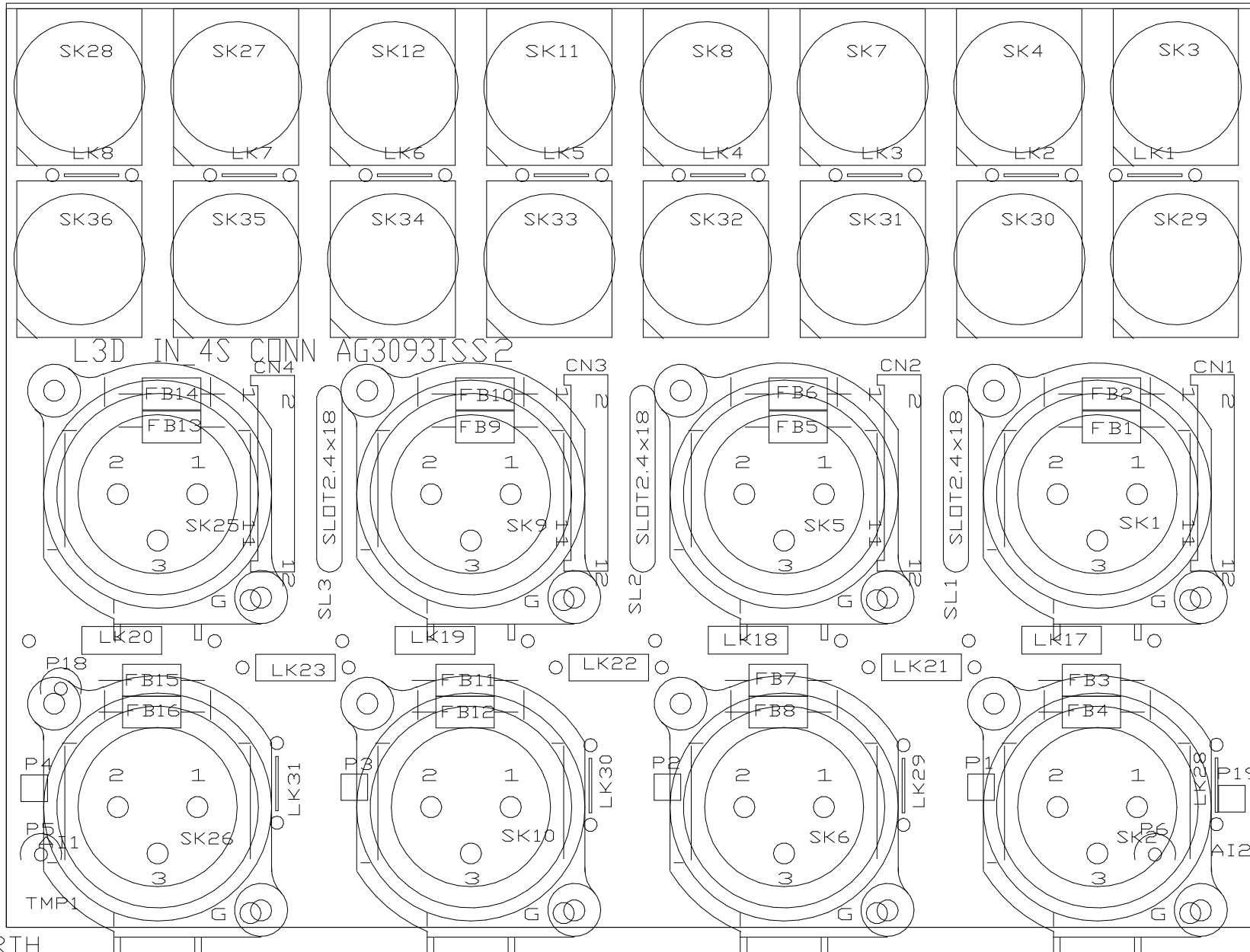
DRAWING No	C3106	ISSUE	2	A1
------------	-------	-------	---	----

CHANNEL 4

CHANNEL 3

CHANNEL 2

CHANNEL 1



INSERT R/L

LINE IN  
R L

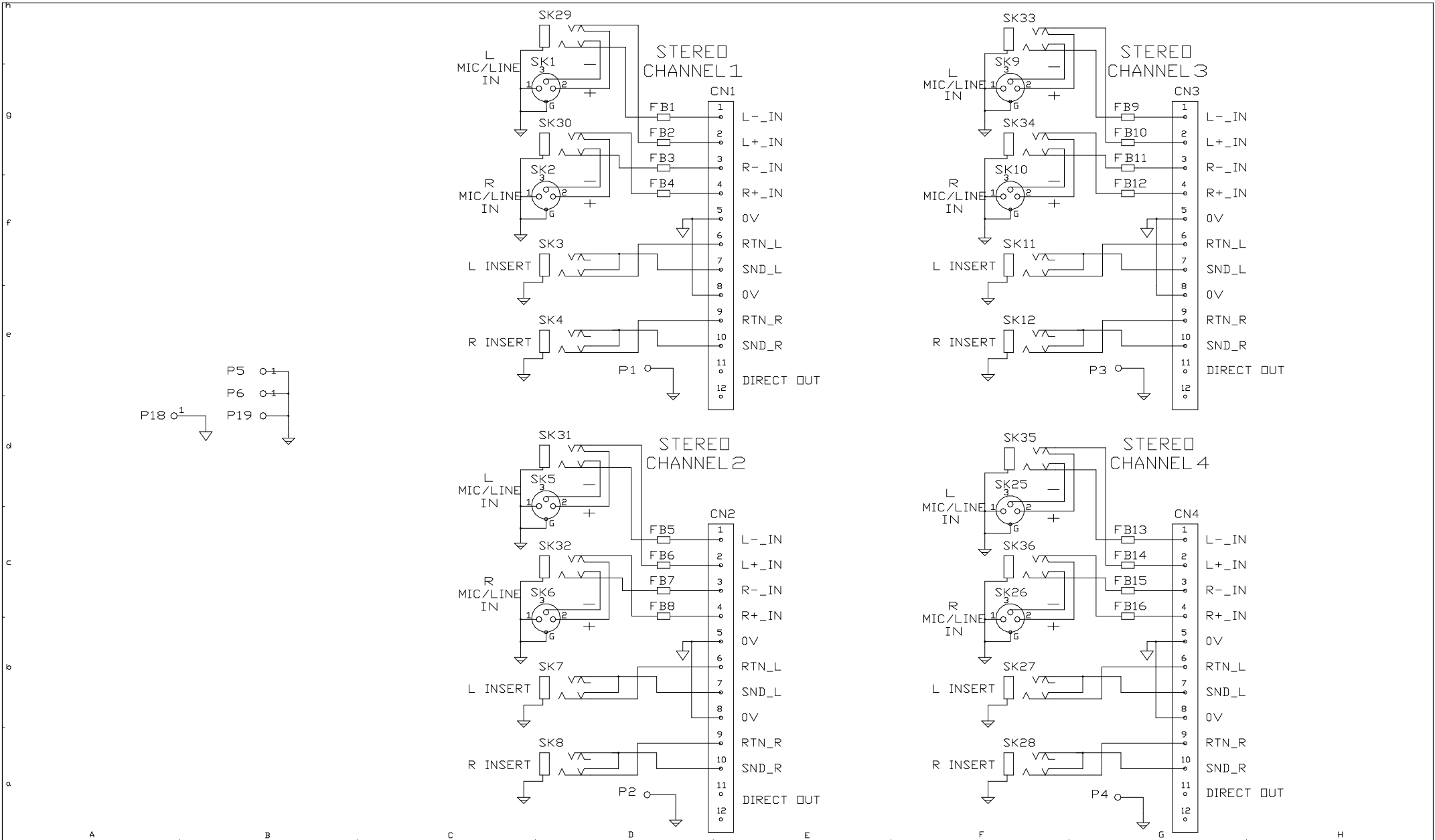
L IN

R IN

AUDIOWEARTH  
CHASSIS EARTH

CHASSIS EARTH



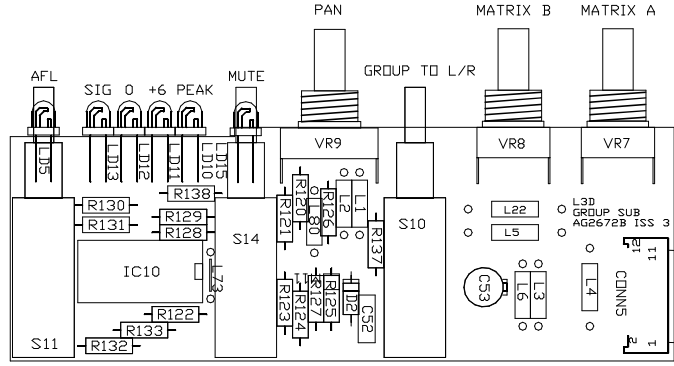


ISS. 1	REVISION ORIGIN	BY DATE AAT21-04-97	NOTES 1. RESISTORS MARKED * ARE 1% ALL OTHERS ARE SZ 1/4W UNLESS OTHERWISE MARKED 2. ELECTROLYTIC CAPACITORS ARE 10V/VOLTS	UNIT TITLE L3D	DRAWING TITLE IN-4S CONN PCB CIRCUIT DIAGRAM PCB TYPE AG3093	MANUFACTURED IN ENGLAND BY ALLEN & HEATH	
				DRAWING No. C3093 ISSUE 1		A2	

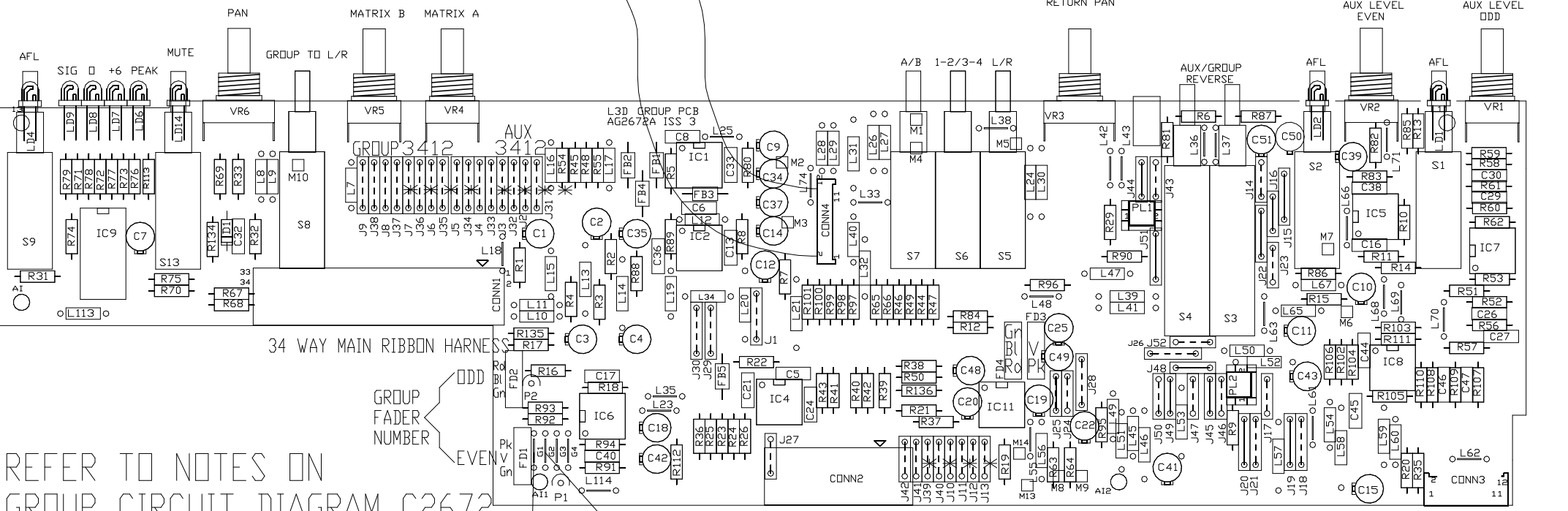
# L3D GROUP & SUB CIRCUIT BOARD ASSEMBLY

PCB No: AG2672A&B ISSUE 3

ASSEMBLY CONFIGURATION FOR GROUP POSITIONS 1-4  
 ASSEMBLY CODE: 002-192



SUB PCB



GROUP / SUB PCB  
 RIBBON HARNESS

34 WAY MAIN RIBBON HARNESS

16 WAY MASTER  
 RIBBON HARNESS

2413  
 METER

CONNECTOR PCB  
 RIBBON HARNESS

REFER TO NOTES ON  
 GROUP CIRCUIT DIAGRAM C2672

GROUP  
 FADER  
 NUMBER

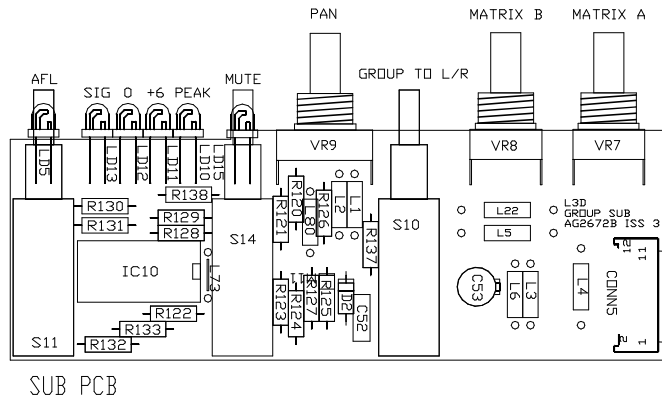
ODD  
 EVEN

GRP 1/2 GRP 3/4

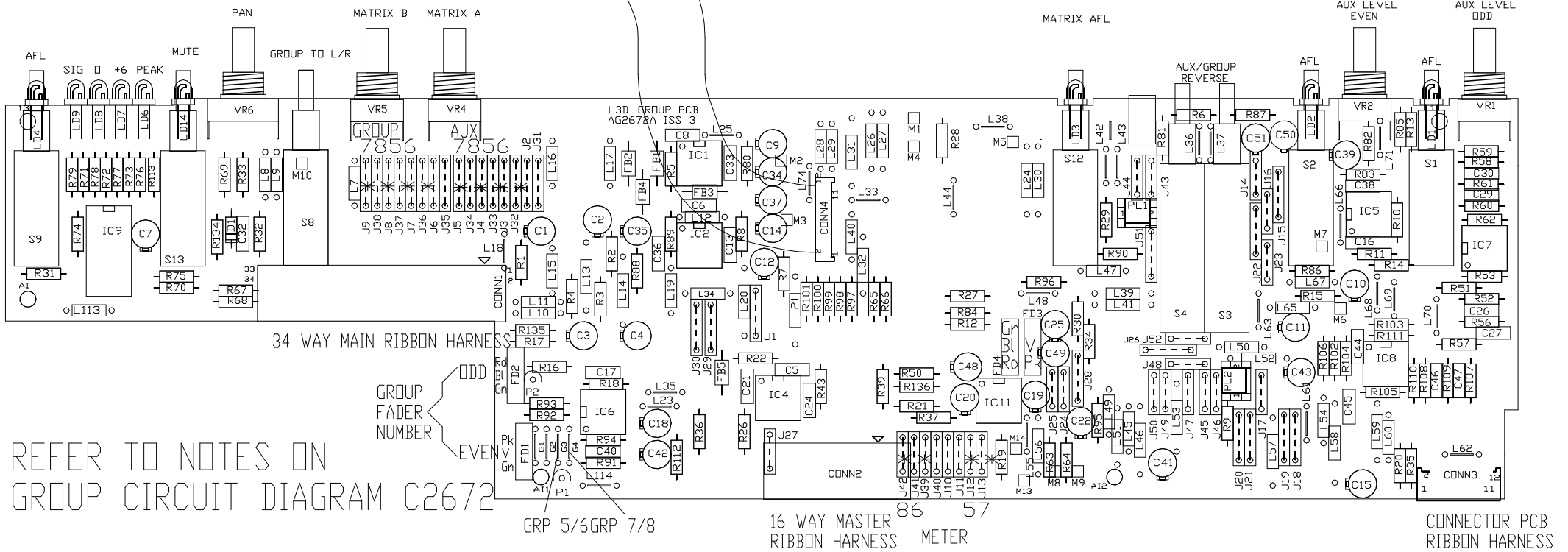
# L3D GROUP & SUB CIRCUIT BOARD ASSEMBLY

PCB No: AG2672A&B ISSUE 3

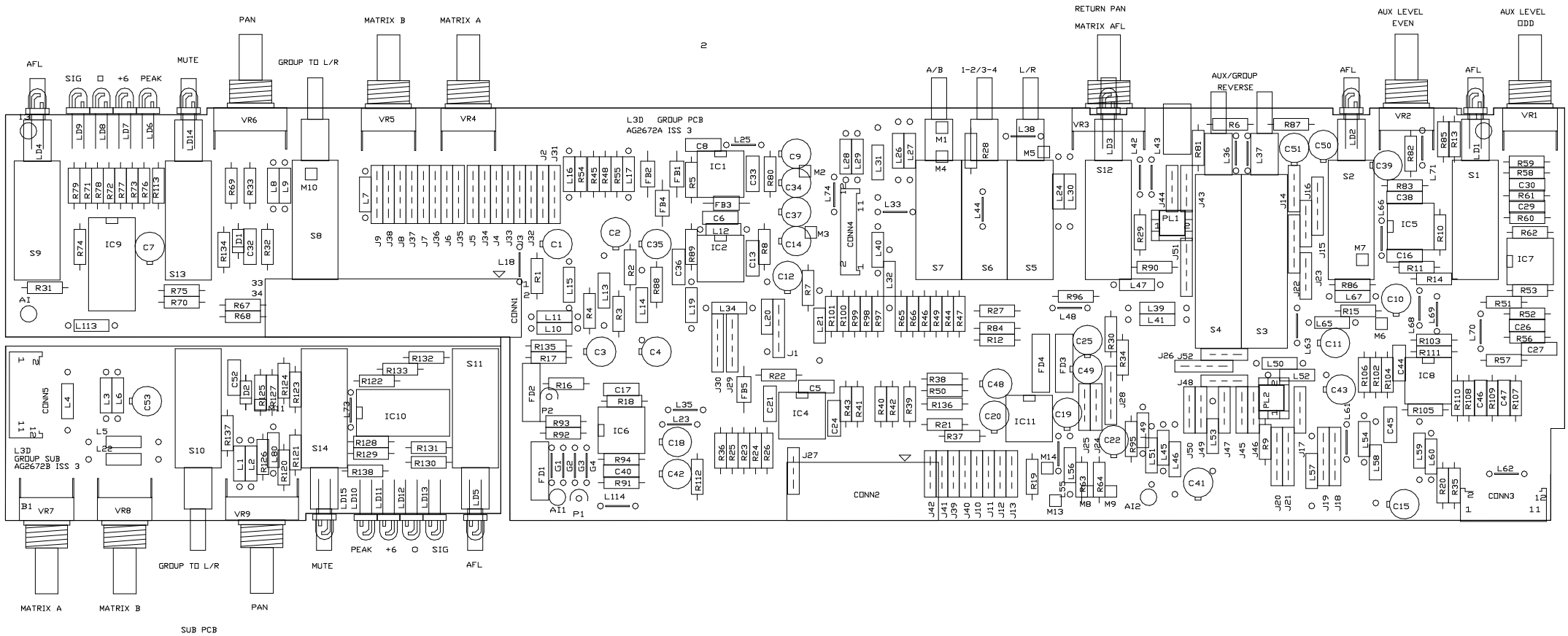
ASSEMBLY CONFIGURATION FOR GROUP POSITIONS 5-8  
 ASSEMBLY CODE: 002-193

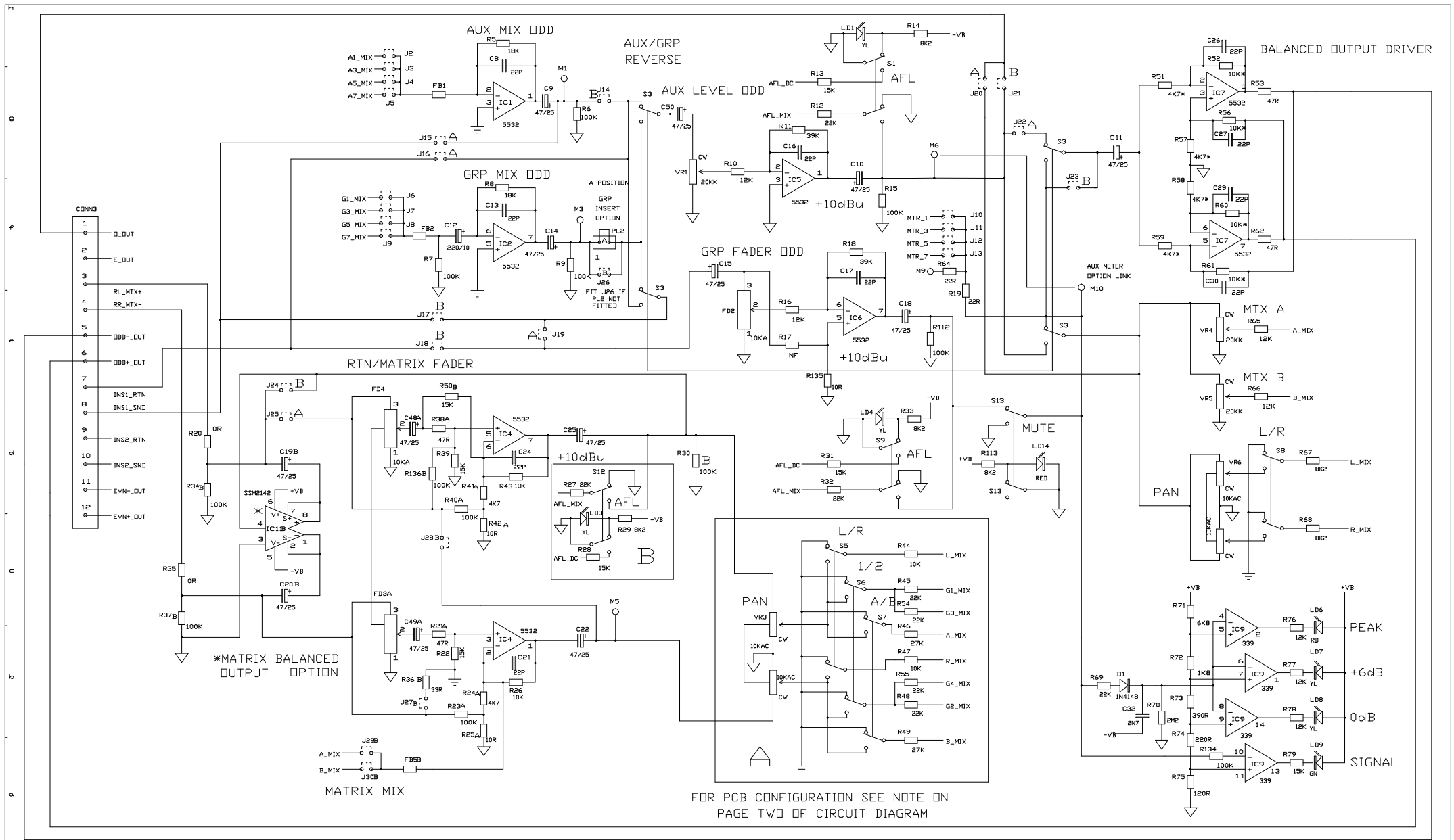


GROUP / SUB PCB  
 RIBBON HARNESS



REFER TO NOTES ON  
 GROUP CIRCUIT DIAGRAM C2672





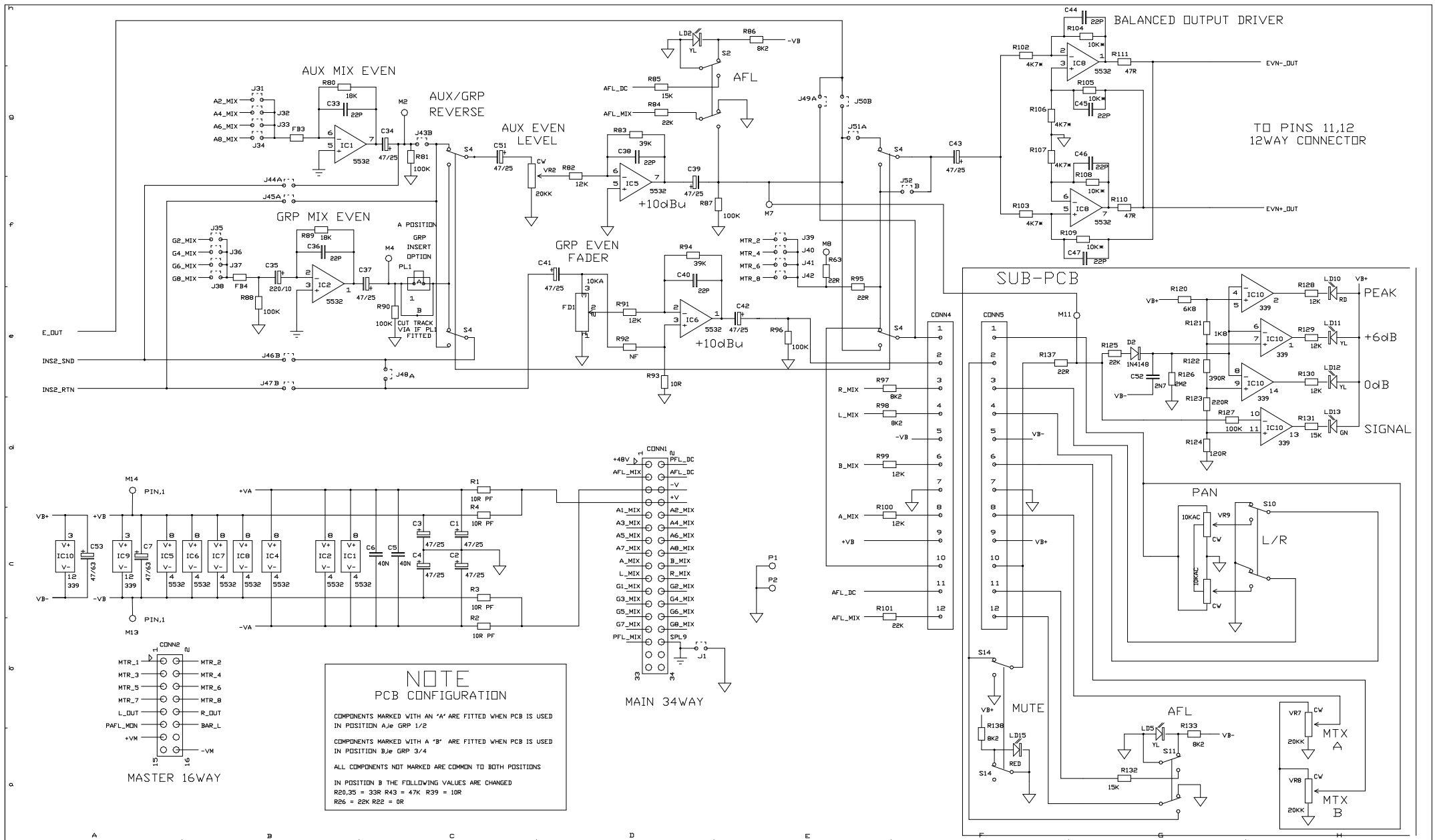
FOR PCB CONFIGURATION SEE NOTE ON PAGE TWO OF CIRCUIT DIAGRAM

ISS.	REVISION	BY	DATE
2	ORIGIN	DRP	11-4-97
3	RES VAL. CHANGED IC5&6 NOW 5532	DRP	1-8-97
4	CAPACITOR CHANGES	AAT26	03-98
4.1	METER GLOW MODS.	DWD20	06-00

NOTES
1. RESISTORS MARKED * ARE 1% ALL OTHERS ARE SZ 1/4W UNLESS OTHERWISE MARKED
2. ELECTROLYTIC CAPACITORS ARE 7% VOLTS

UNIT TITLE	L3D PAGE 1 OF 2
DRAWING TITLE	GROUP CIRCUIT
	PCB AG2672

MANUFACTURED IN ENGLAND BY	ALLEN & HEATH
DRAWING No.	C2672
ISSUE	4.1
	A2



ISS.	REVISION	BY	DATE	NOTES
2	ORIGIN	DRP	11-4-97	
3	RES VAL. CHANGED	DRP	1-8-97	
4	IC5&6 NOW 5532	AAT26	03-98	
4.1	CAPACITOR CHANGES	DWD20	06-00	
	METER GLOW MODS.			

1. RESISTORS MARKED \* ARE 1%  
ALL OTHERS ARE 5% 1/4W UNLESS OTHERWISE MARKED

2. ELECTROLYTIC CAPACITORS ARE 50V/VOLTS

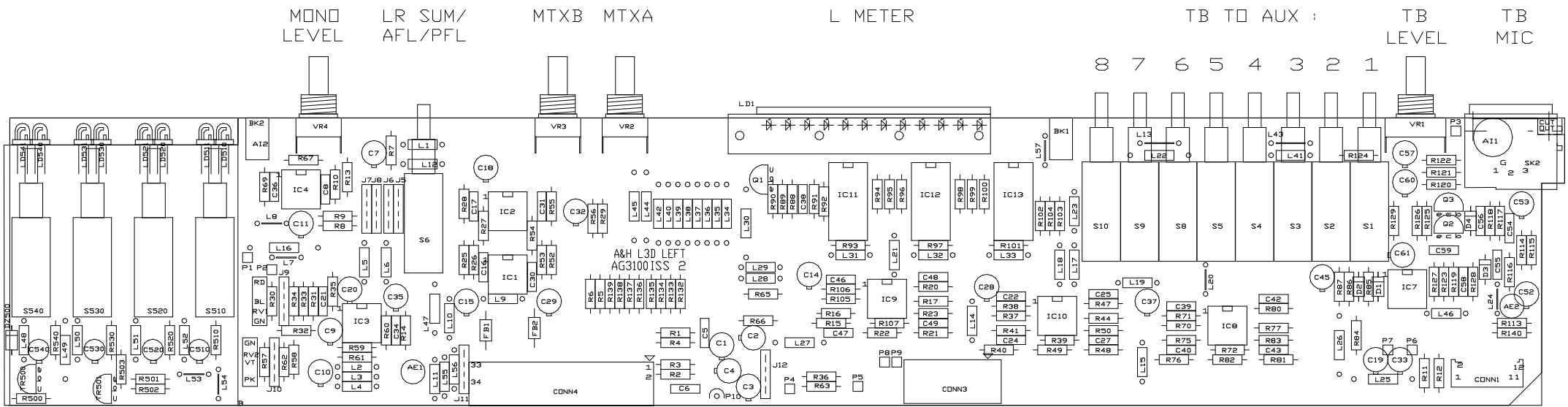
UNIT TITLE L3D PAGE 2 OF 2

DRAWING TITLE GROUP CIRCUIT  
PCB AG2672

MANUFACTURED IN ENGLAND BY

ALLEN & HEATH

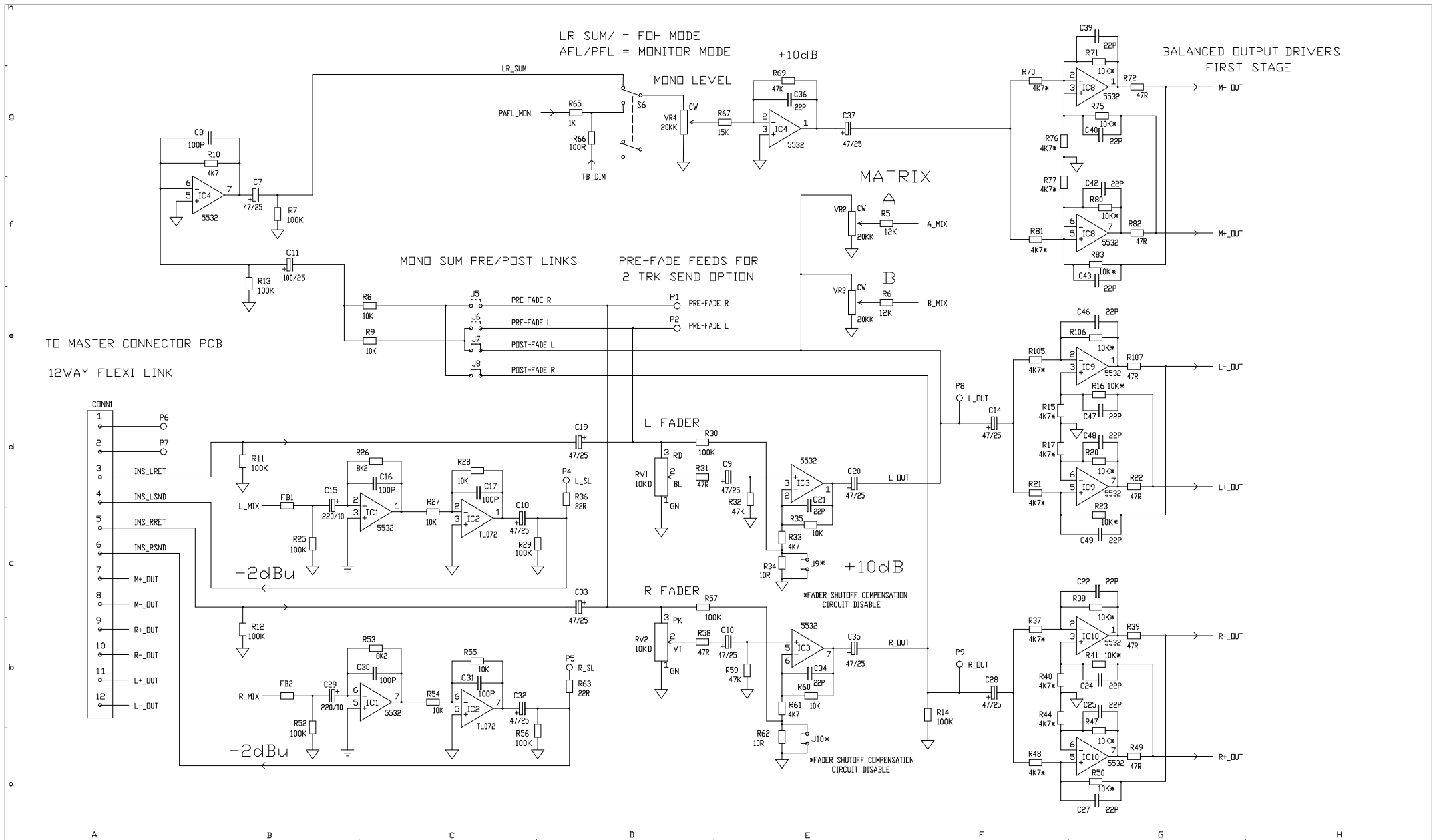
DRAWING No. C2672 ISSUE 4.1 A2



MAIN IDC

MASTER IDC

FLEXI LINK



ISS.	REVISION	BY	DATE	NOTES
1	ORIGIN	AAT	06-05-97	
2	VALUE CHANGES	DRP	12-8-97	
3	VALUE CHANGES	DWD	26-03-98	
4	VALUE CHANGES	DWD	02-12-98	
4.1	METER GLOW MOD.	DWD	20-06-00	

NOTES

- RESISTORS MARKED \* ARE 1% ALL OTHERS ARE 5% 1/4W UNLESS OTHERWISE MARKED
- ELECTROLYTIC CAPACITORS ARE 10% TOLERANCE

UNIT TITLE  
L3D

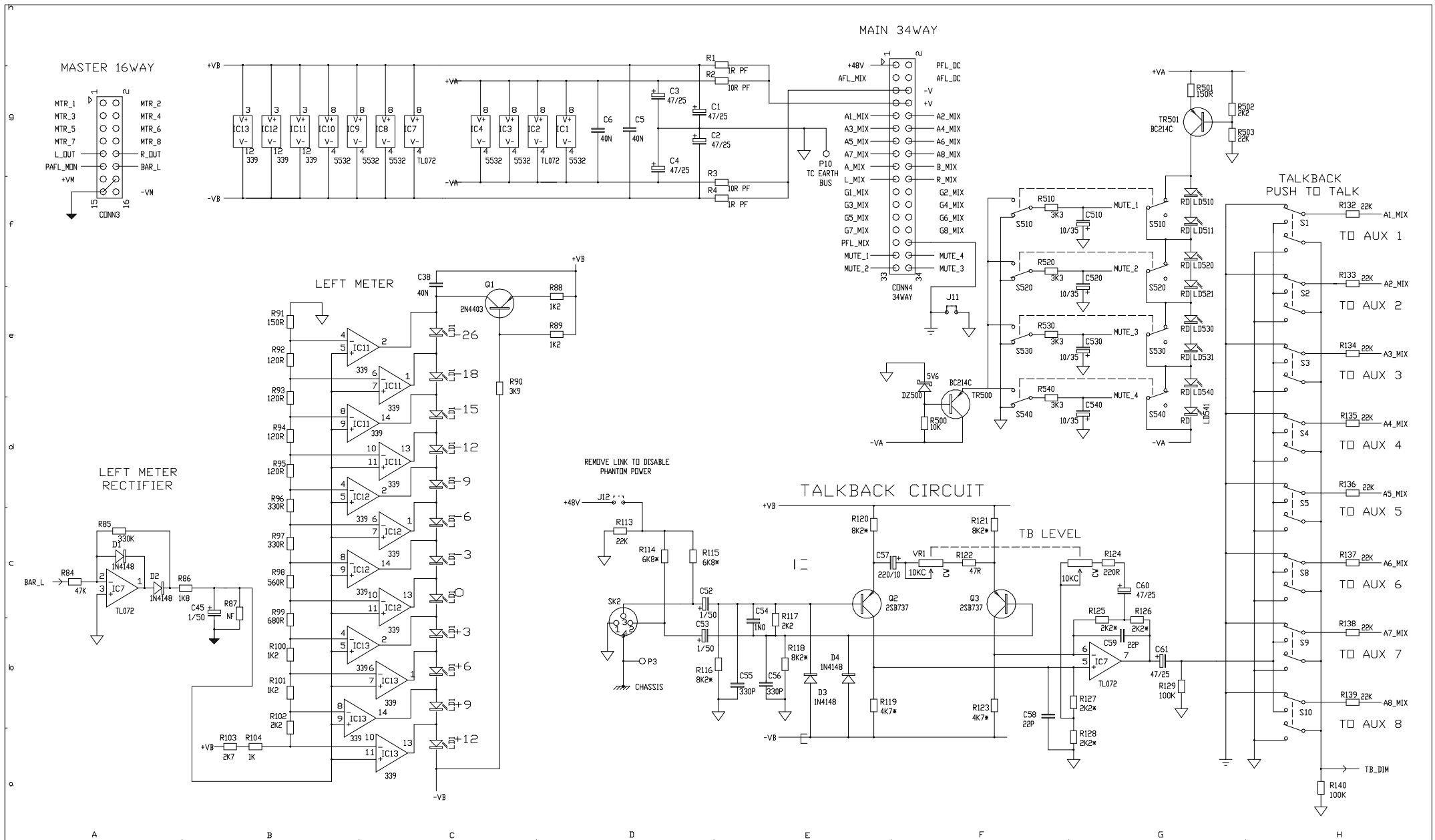
DRAWING TITLE  
LEFT PCB

SHEET 1 OF 2

MANUFACTURED IN ENGLAND BY  
ALLEN & HEATH

DRAWING No. C3100 ISSUE 4.1 A2





ISS.	REVISION	BY	DATE	NOTES
1	ORIGIN	AAT	06-05-97	
2	VALUE CHANGES	DRP	12-8-97	
3	VALUE CHANGES	DWD	26-03-98	
4	VALUE CHANGES	DWD	02-12-98	
4.1	METER GLOW MOD.	DWD	20-06-00	

1. RESISTORS MARKED \* ARE 1%  
ALL OTHERS ARE 5% 1/4W UNLESS OTHERWISE MARKED

2. ELECTROLYTIC CAPACITORS ARE 10% VOLTAGE

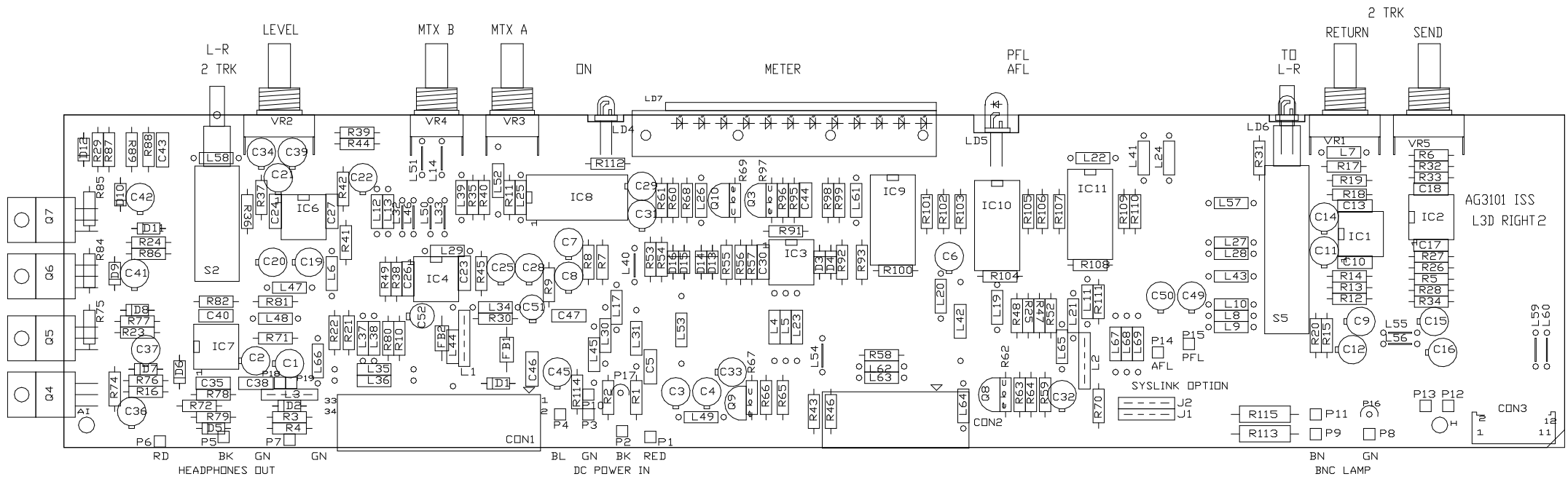
UNIT TITLE  
**L3D**

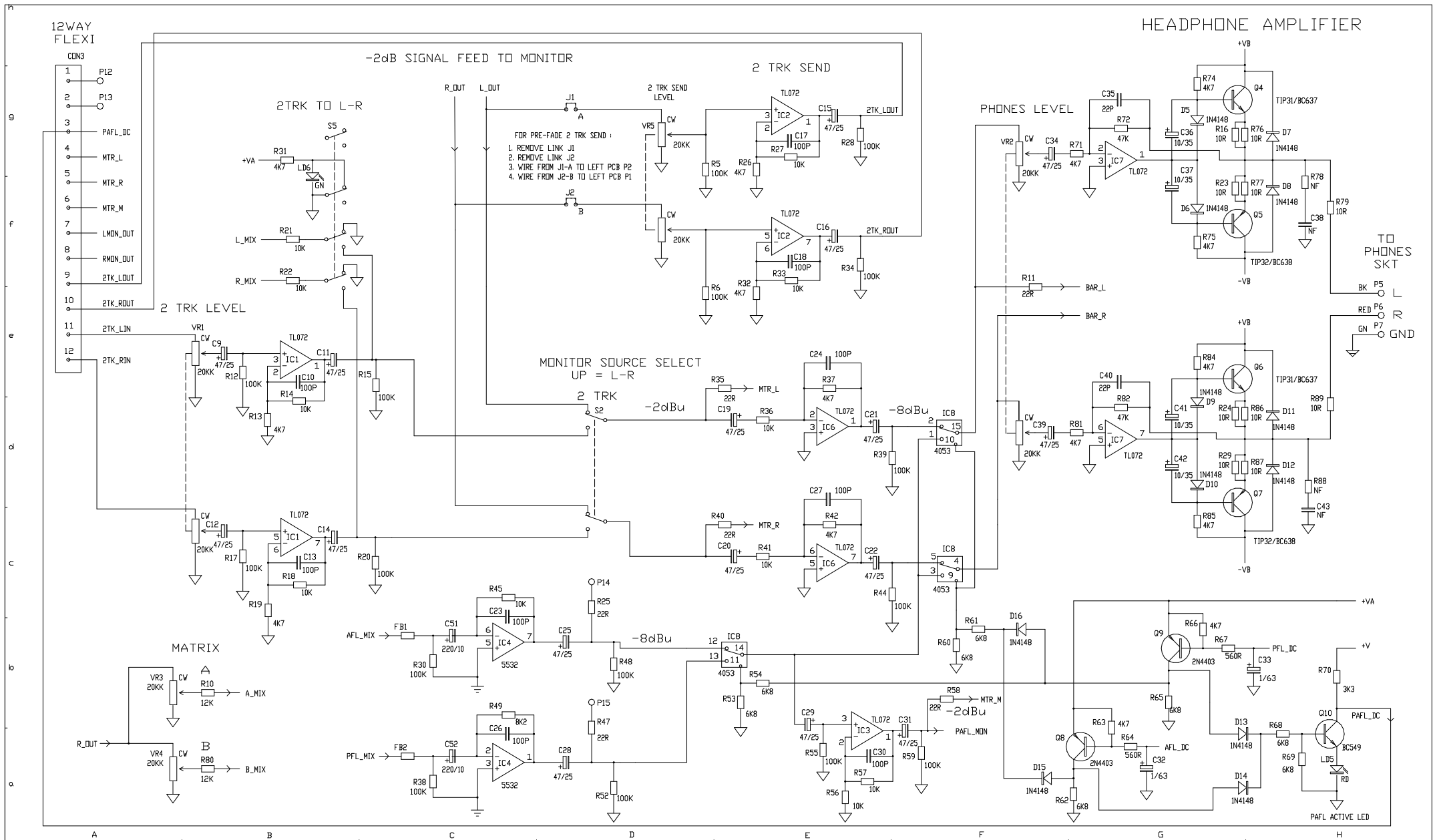
DRAWING TITLE  
**LEFT PCB**

SHEET 2 OF 2

MANUFACTURED IN ENGLAND BY  
**ALLEN & HEATH**

DRAWING No. **C3100** ISSUE **4.1** A2



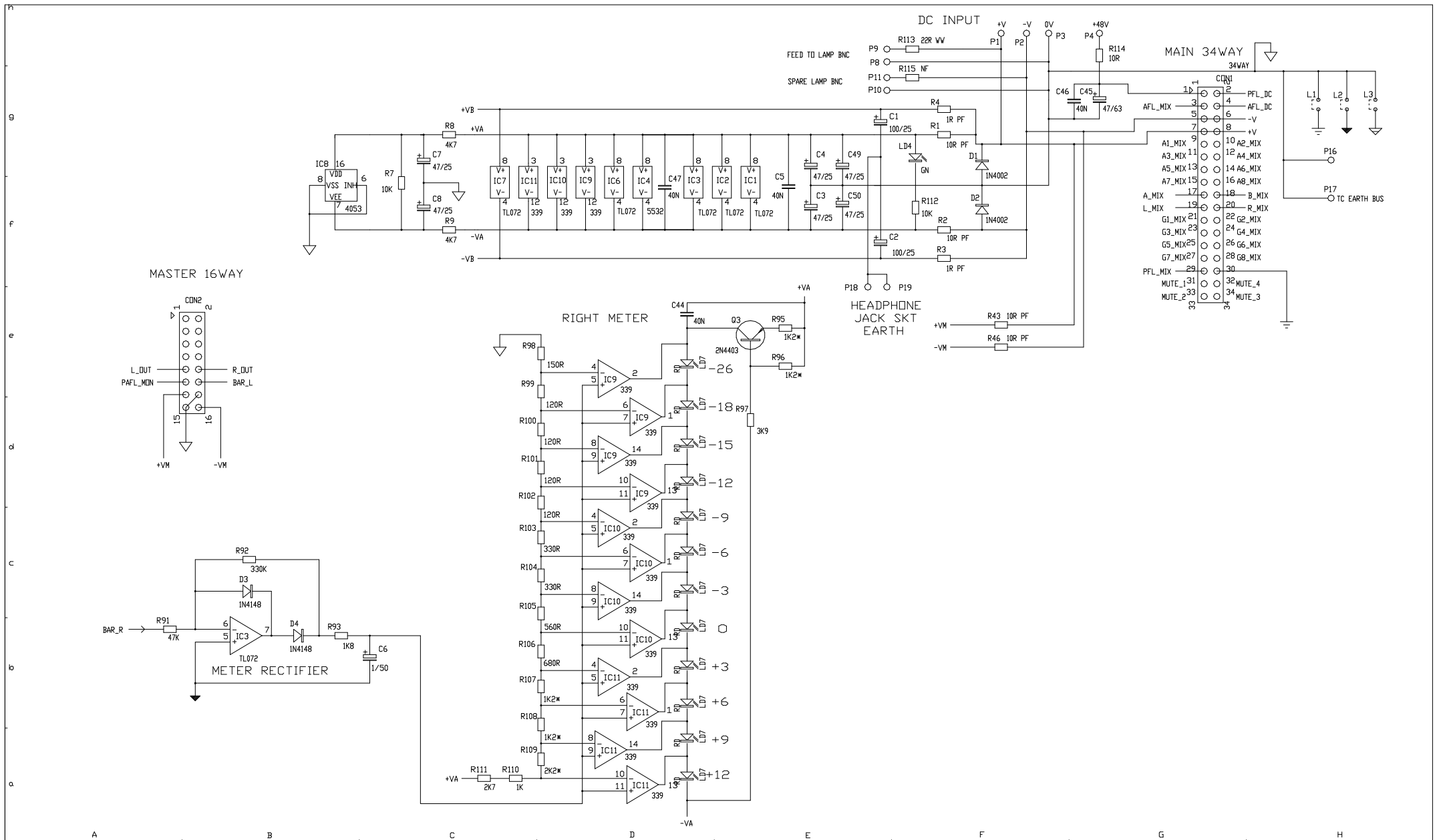


ISS.	REVISION	BY	DATE
1	ORIGIN	AAT	15-8-97
2	CROSSTALK MODS.	DWD	2-12-99
2.1	METER GLOW MOD.	DWD	20-06-00

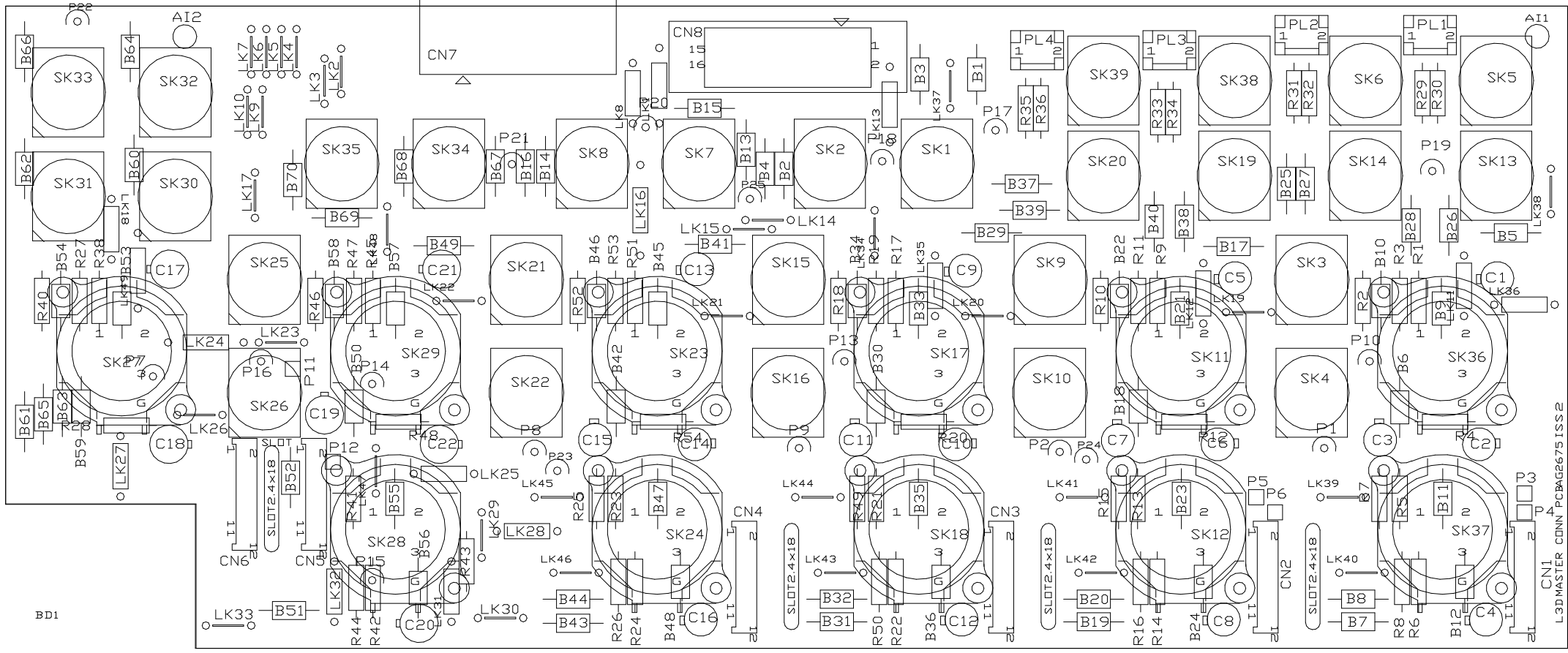
NOTES
1. RESISTORS MARKED * ARE 1% ALL OTHERS ARE SZ 1/4W UNLESS OTHERWISE MARKED
2. ELECTROLYTIC CAPACITORS ARE 10V/50%T

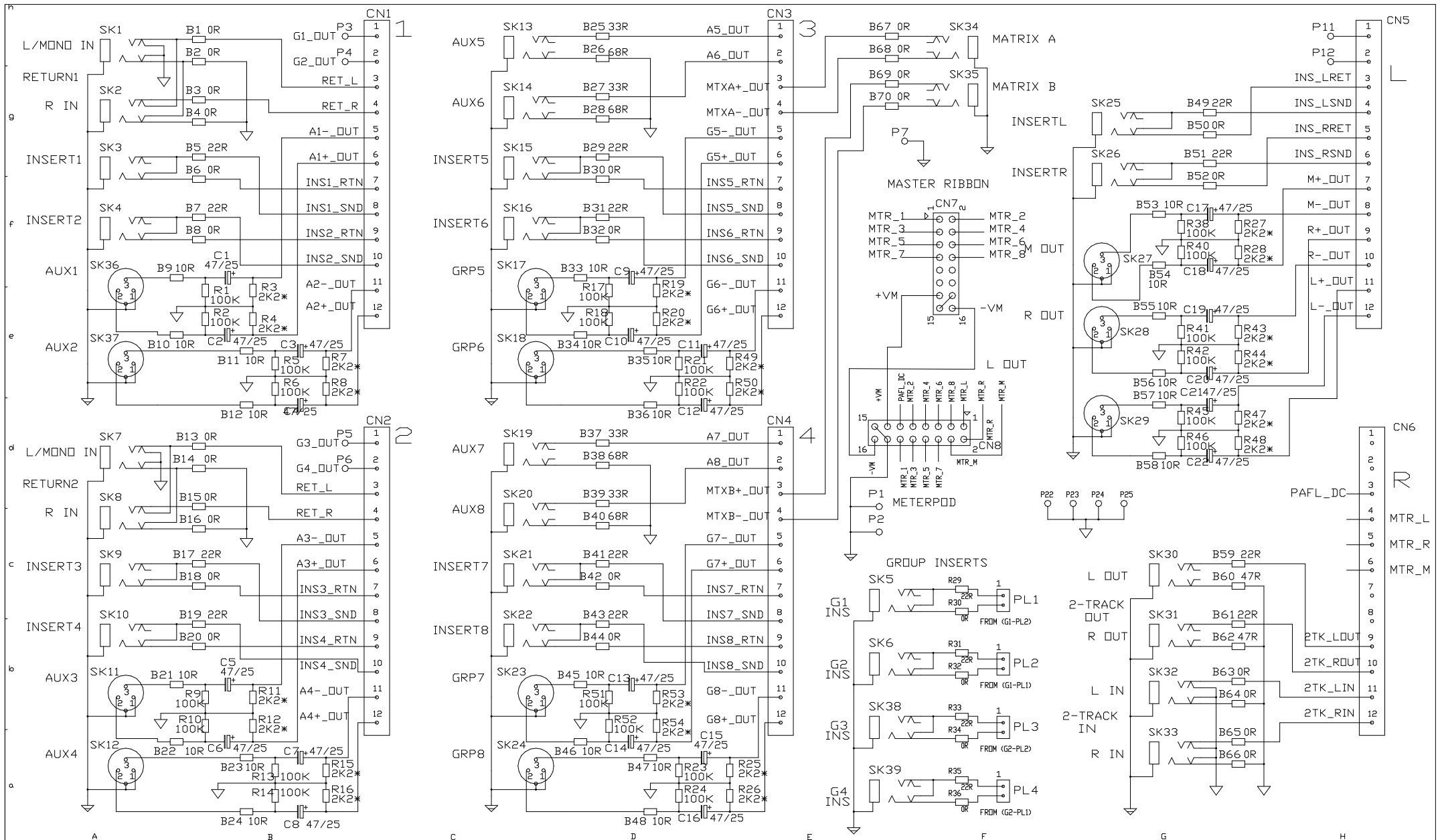
UNIT TITLE	L3D
DRAWING TITLE	RIGHT PCB
SHEET 1 OF 2	

MANUFACTURED IN ENGLAND BY	ALLEN & HEATH
DRAWING No.	C3101
ISSUE	2.1A2

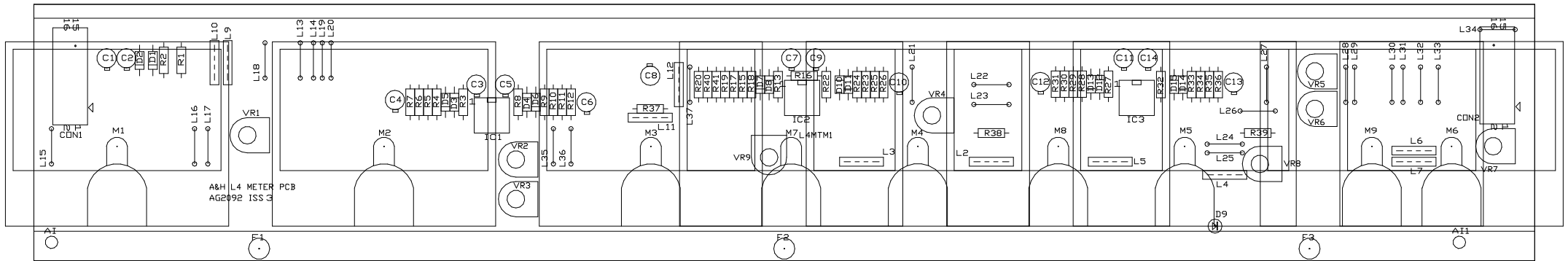


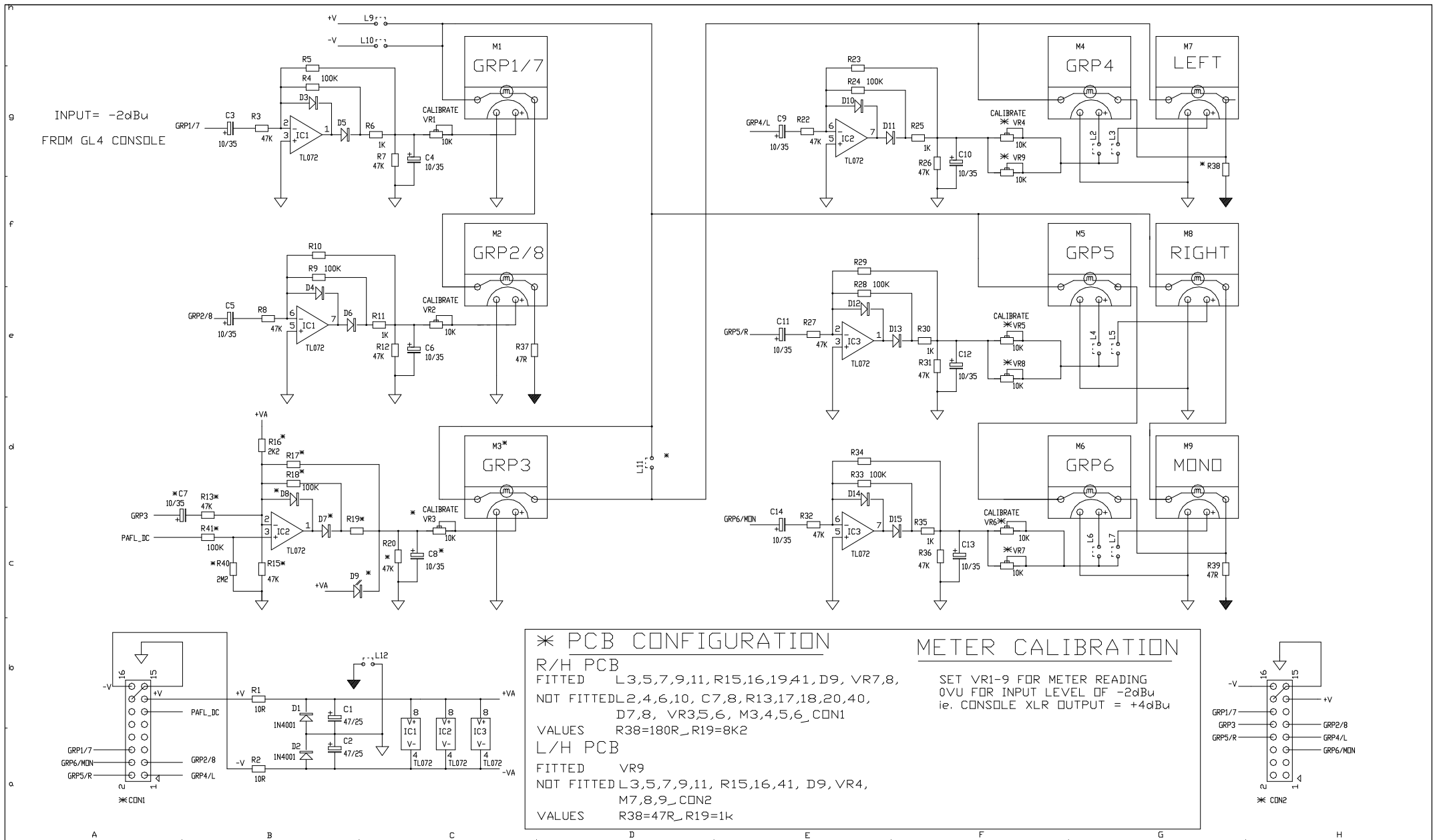
ISS.	REVISION	BY	DATE	NOTES	UNIT TITLE	MANUFACTURED IN ENGLAND BY
1	ORIGIN	AAT15	8-97	1. RESISTORS MARKED * ARE 1% ALL OTHERS ARE SZ 1/4W UNLESS OTHERWISE MARKED	L3D	ALLEN & HEATH
2	CROSSTALK MODS.	DWD2	12-99		DRAWING TITLE	
2.1	METER GLOW MOD.	DWD20	06-00	2. ELECTROLYTIC CAPACITORS ARE 1%VOLTS	RIGHT PCB	DRAWING No. C3101 ISSUE 2.1 A2





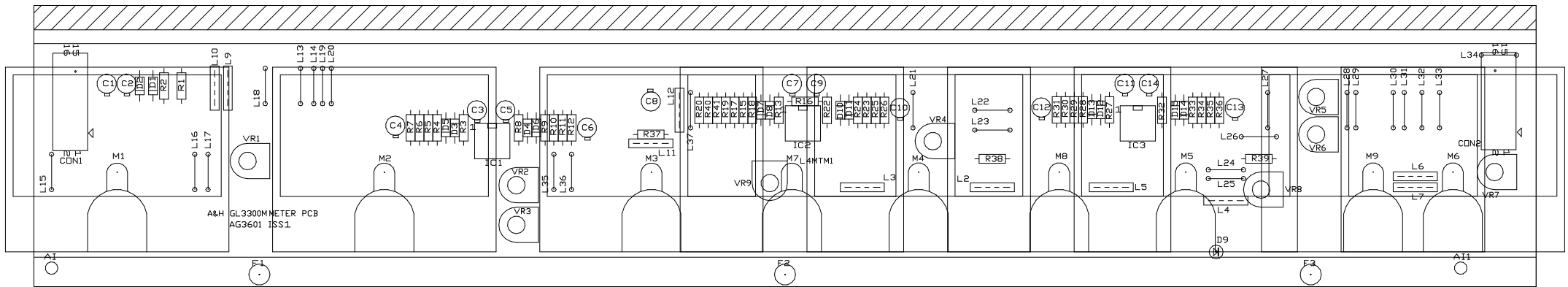
ISS.	REVISION	BY DATE	NOTES	UNIT TITLE	MANUFACTURED IN ENGLAND BY
A	ORIGIN	AAT27-06-96	1. RESISTORS MARKED * ARE 1% ALL OTHERS ARE 5% 1/4W UNLESS OTHERWISE MARKED 2. ELECTROLYTIC CAPACITORS ARE 10% VOLTS	L3D DRAWING TITLE MASTER CONNECTOR PCB CIRCUIT DIAGRAM PCB TYPE AG2675	ALLEN & HEATH DRAWING No. C2675 ISSUE 2 A2
1	PRODUCTION	AAT28-04-97			
2	EARTHING SPLIT	AAT23-07-99			

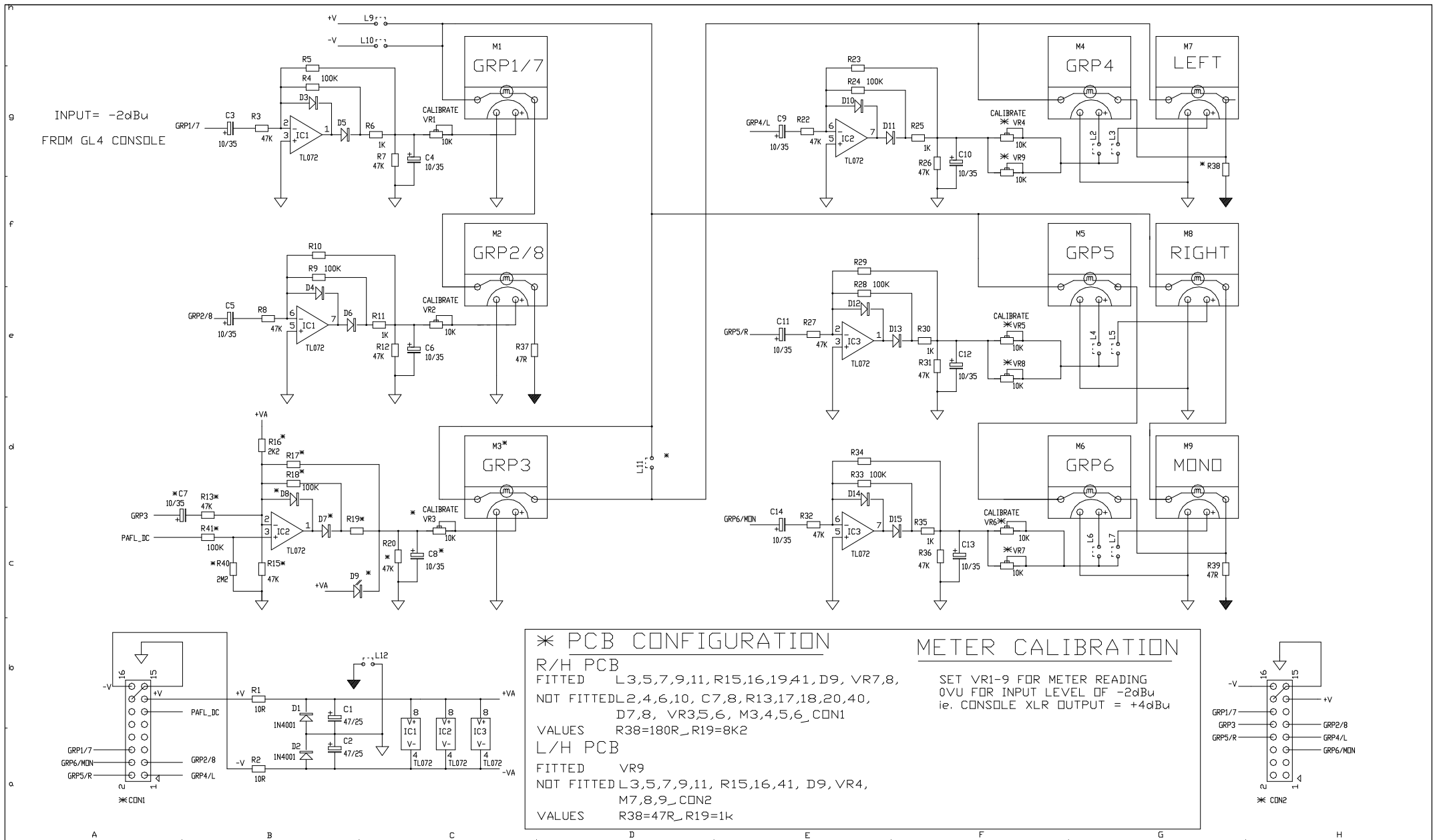




ISS.	REVISION	BY DATE	NOTES	UNIT TITLE	MANUFACTURED IN ENGLAND BY
1	ORIGIN PRODUCTION	ARJ1-8-94 DRP16-9-94	1. ALL RESISTORS ARE 5% 1/4W UNLESS OTHERWISE MARKED 2. ELECTROLYTIC CAPACITORS ARE 7F/VOLTS 3. ALL DIODES 1N4148 UNLESS OTHERWISE MARKED	GL4  CIRCUIT DIAGRAM METER PCB FOR PCB AG2092	ALLEN & HEATH  DRAWING No. C2092 ISSUE 1







ISS.	REVISION	BY DATE	NOTES	UNIT TITLE	MANUFACTURED IN ENGLAND BY
1	PRODUCTION	AAT08-02-99	1. ALL RESISTORS ARE 5% 1/4W UNLESS OTHERWISE MARKED 2. ELECTROLYTIC CAPACITORS ARE 1F/VOLTS 3. ALL DIODES 1N4148 UNLESS OTHERWISE MARKED	GL3300M CIRCUIT DIAGRAM METER PCB FOR PCB AG3601	ALLEN & HEATH DRAWING No. C3601 ISSUE 1