

ALLEN & HEATH



WARNING – HIGH VOLTAGES

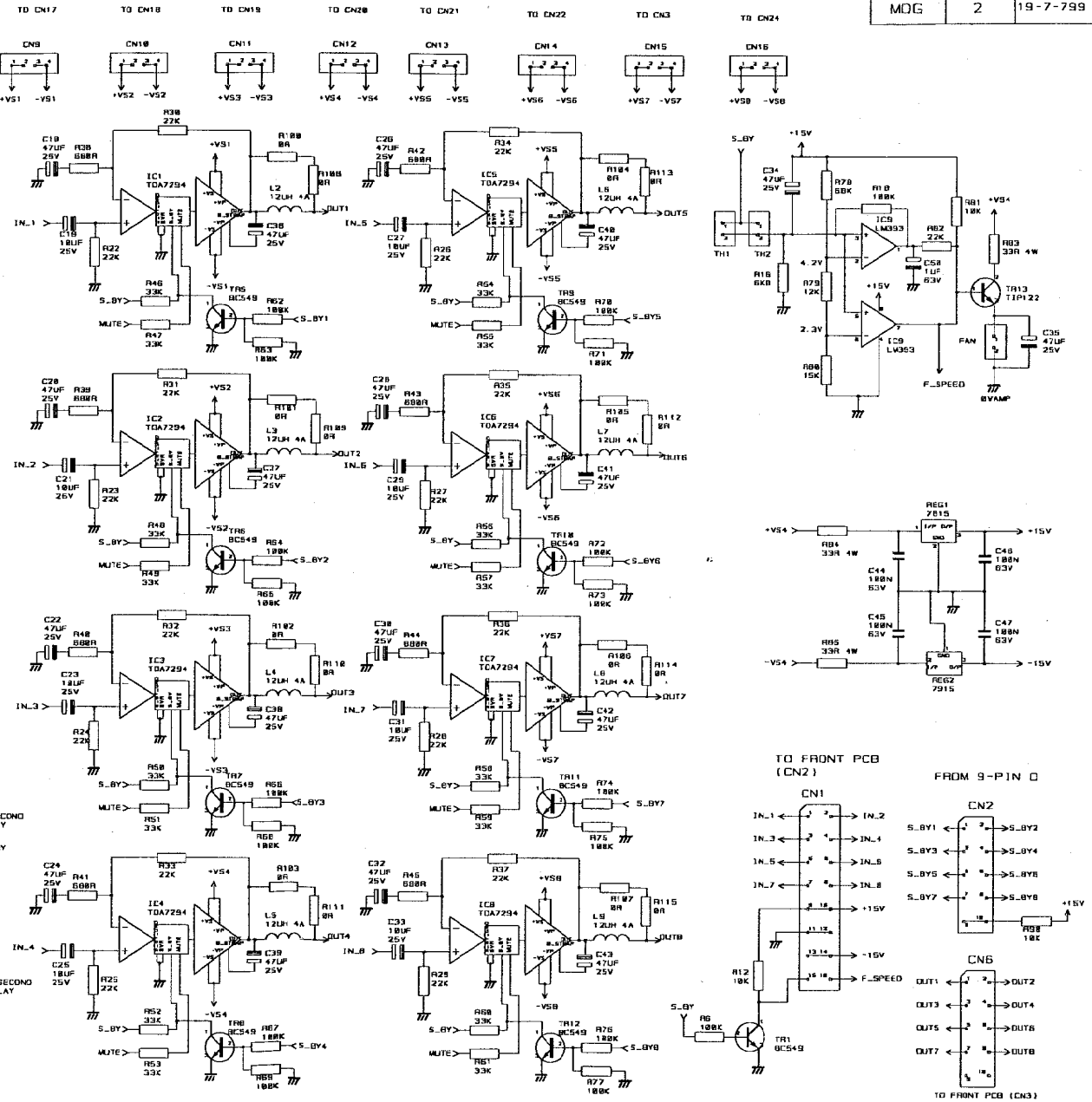
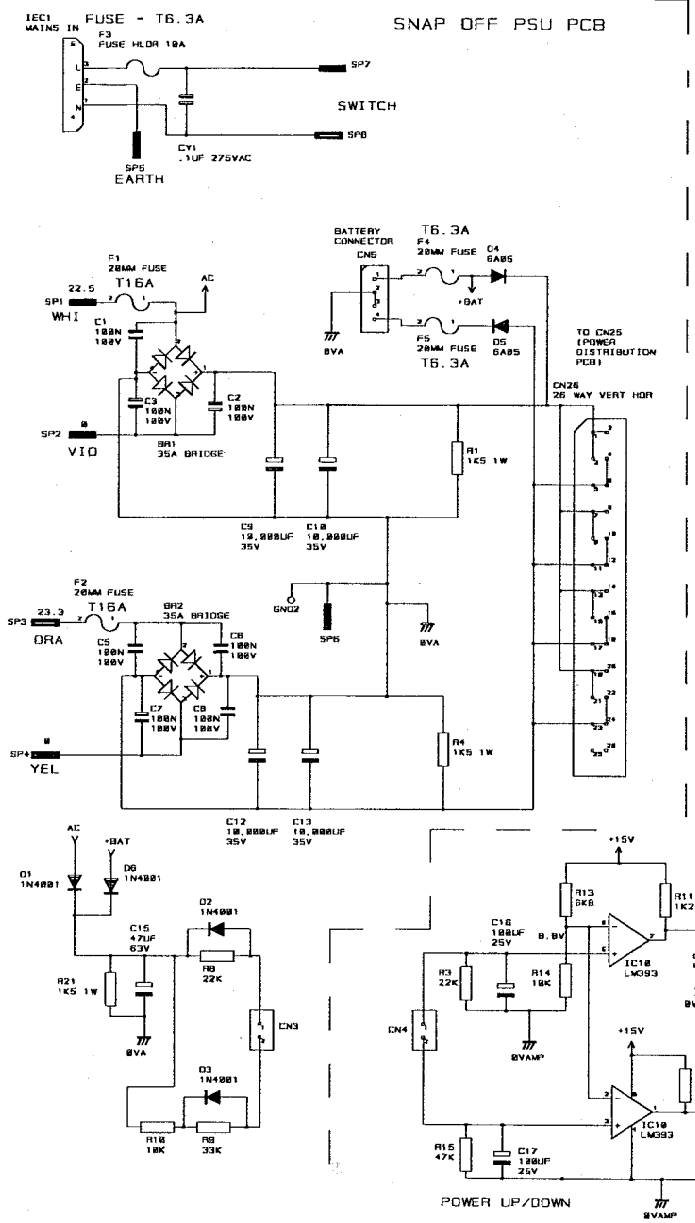
Power Supply Unit (PSU) work should only be carried out by qualified personnel.

We recommend that you use an approved Allen & Heath service centre for all power supply work.

Please contact your local Allen & Heath distributor for more details.

<http://www.allen-heath.com/>

INITIAL	ISSUE	DATE
MOG	2	19-7-799



ALLEN & HEATH
 COPYRIGHT OF THIS DRAWING
 WHICH IS NOT TO BE COPIED,
 REPRODUCED OR DISCLOSED, IN PART
 OR IN WHOLE TO A THIRD PARTY
 WITHOUT WRITTEN PERMISSION.

NOTES

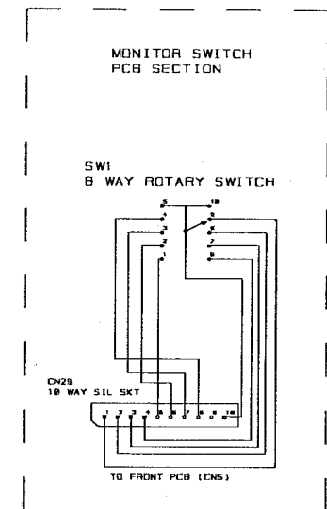
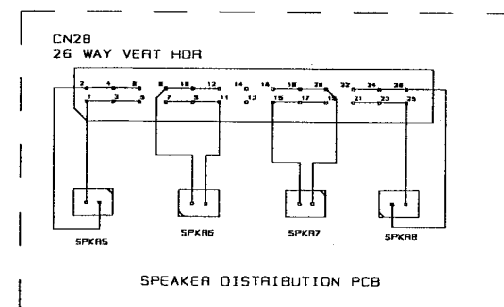
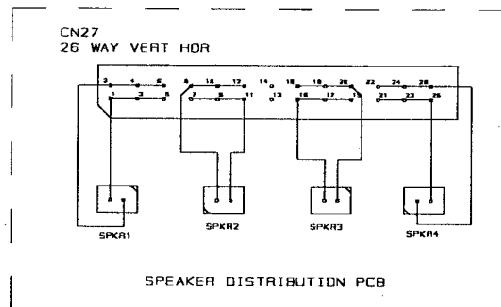
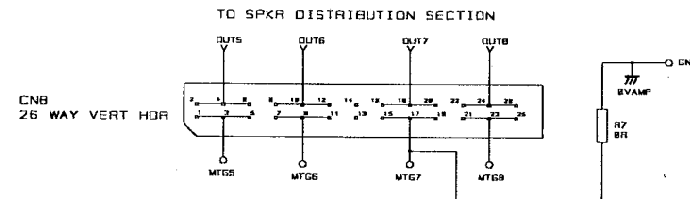
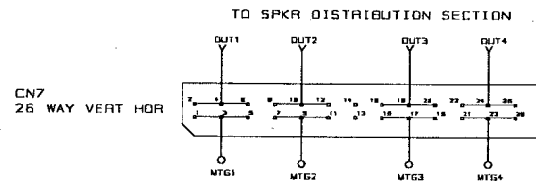
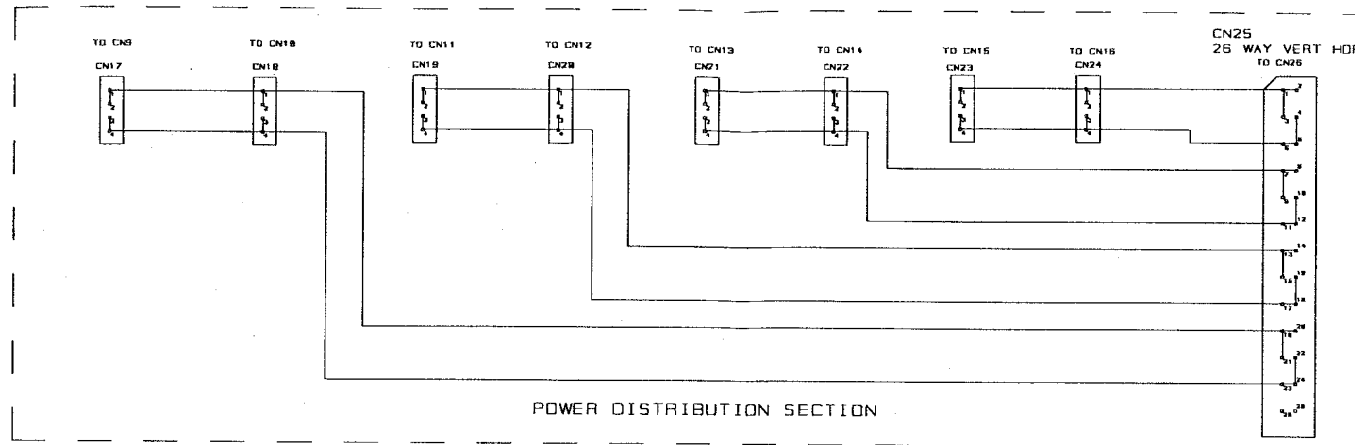
DRG. MOG

ALLEN & HEATH
 HARMAN INT. INDUSTRIES LTD.
 KERRICK INDUSTRIAL EST
 PENRYN
 CORNWALL
 TR18 9LU
 TEL: 81326 372978
 FAX: 81326 377837

TITLE
 GR8-A AMP PCB

DRG NO.
 ED 3552

INITIAL	ISSUE	DATE
MOG	2	19-7-99



ALLEN & HEATH
COPYRIGHT OF THIS DRAWING
WHICH IS NOT TO BE COPIED,
REPRODUCED OR DISCLOSED, IN PART
OR IN WHOLE TO A THIRD PARTY
WITHOUT WRITTEN PERMISSION.

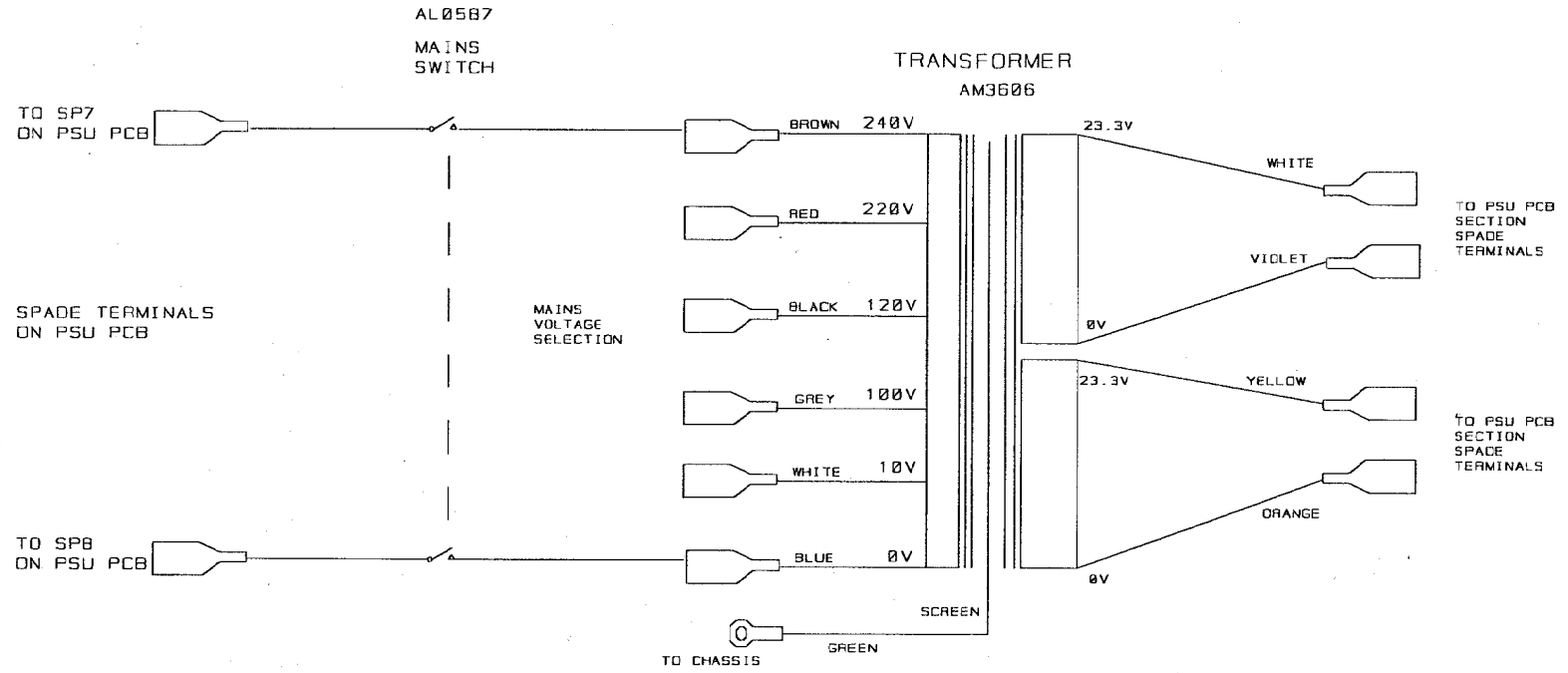
NOTES

DRW. MOG

ALLEN & HEATH
HARMAN INT. INDUSTRIES LTD.
KERNICK INDUSTRIAL EST
PENRYN
CORNWALL
TR18 5LU
TEL: 81325 372678
FAX: 81325 377697

TITLE
GR8-A AMP PCB

ORG NO.
ED 3552



ALLEN & HEATH
COPYRIGHT OF THIS DRAWING
WHICH IS NOT TO BE COPIED,
REPRODUCED OR DISCLOSED, IN PART
OR IN WHOLE TO A THIRD PARTY
WITHOUT WRITTEN PERMISSION.

NOTES

DRN. MDG

ALLEN & HEATH
HARMAN INT. INDUSTRIES LTD.
KERNICK INDUSTRIAL EST
PENRYN
EDRINWALL
TR18 8LU
TEL: 81326 372878
FAX: 81326 377897

TITLE GRB-A MAINS POWER CIRCUIT

ORG NO. ED 3552

AG3552(F)
ISSUE 2

AG3552(D)

AG3552(E)

ALLEN & HEATH
GR8-A AMP PCB

AG3552(B) ISS 2

AG3552(A)
ISS 2
AMP SIGNALS
& POWER

AG3552(C)

