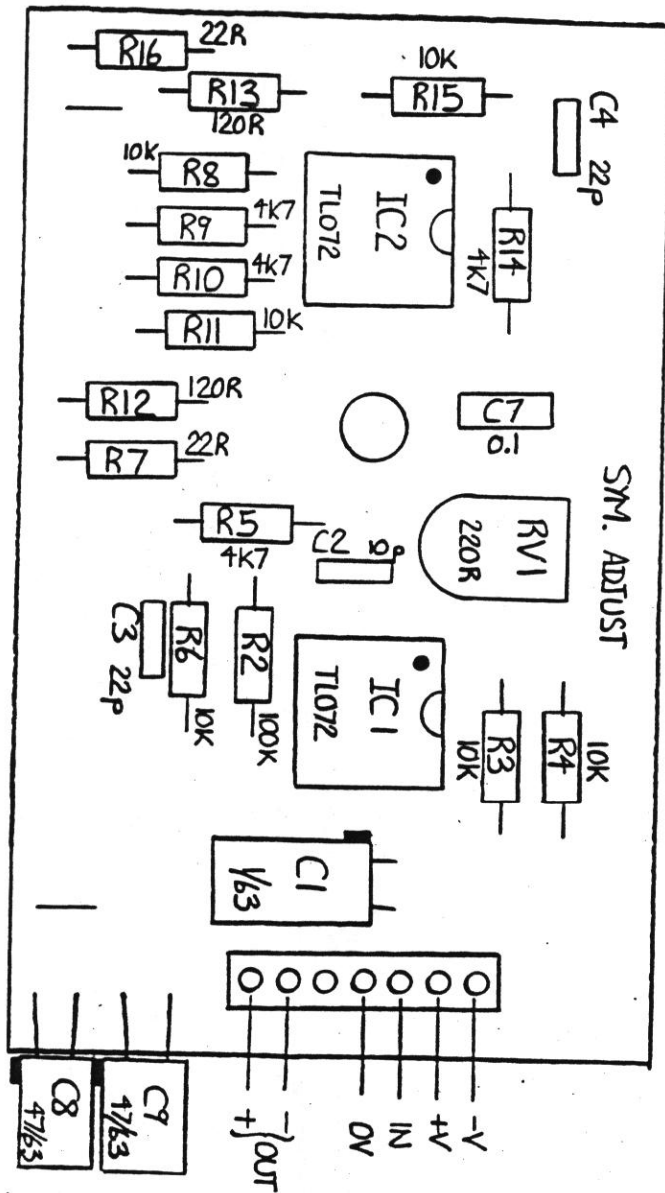


KEYMIX SCHEMATICS.

PSU - MPS9, MPS10, RPS1 SCHEMATICS PUBLISHED SEPARATELY ON DISTRIBUTOR WEBSITE

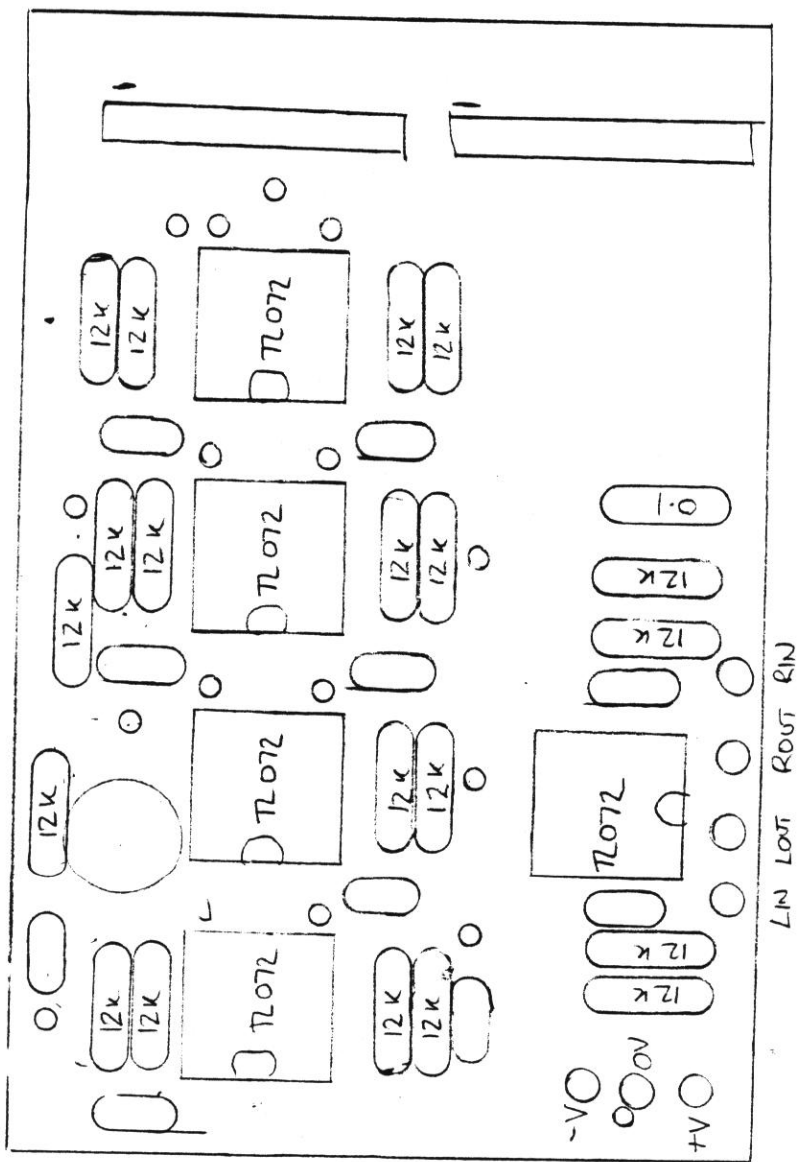


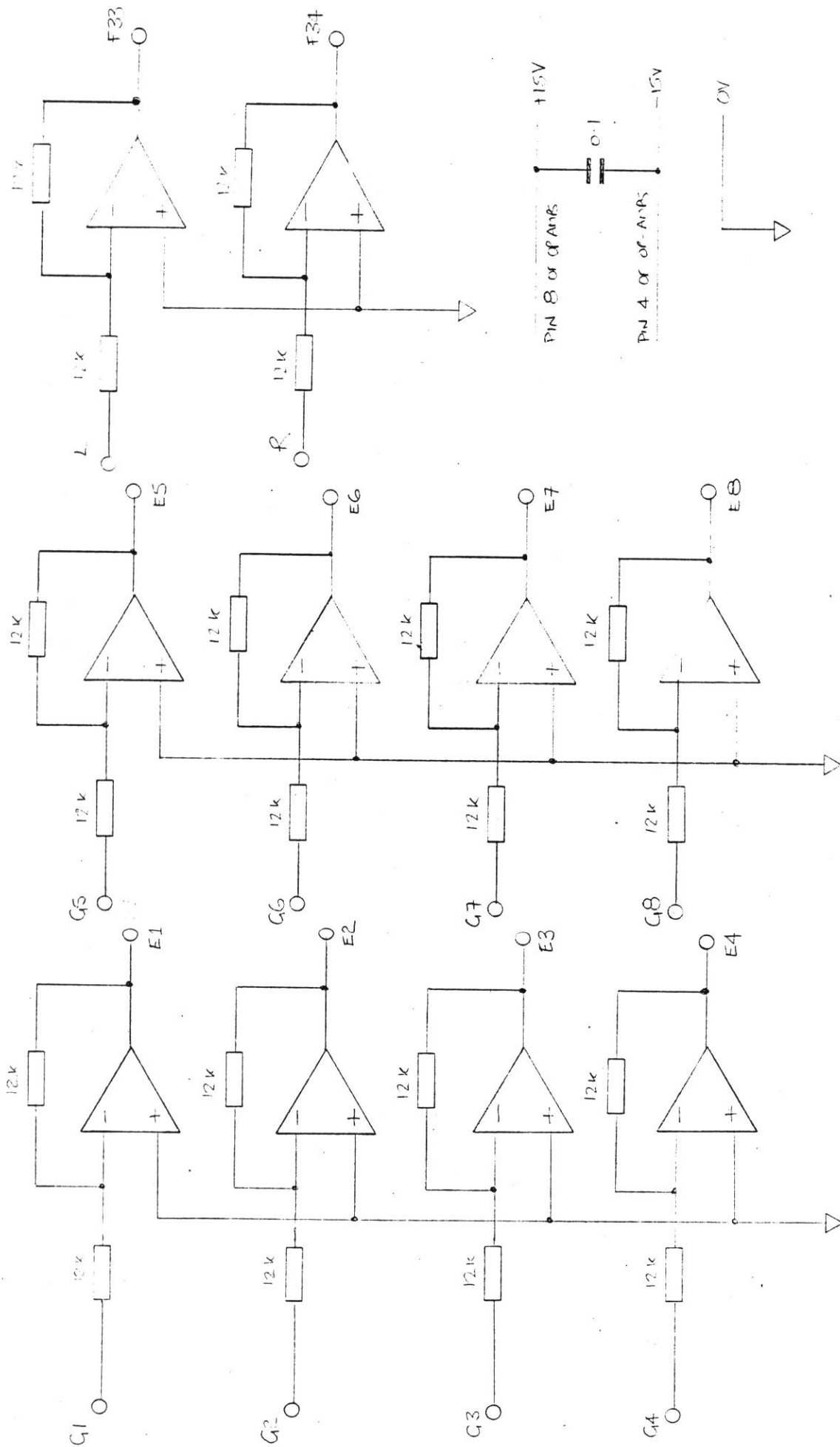
EBOS COMPONENT SIDE - KEYMIX VERSION PCB AG0117 ISSUE 2



# AHB KEIMIX INTERFACE PCB

AG 0165





CONTRACTOR E. DE LAMORE RIGHT PCB. ALL OP-AMPS TL072.

TITLE

KEYMIX SLAVE INTERFACE

ALLEN & HEATH BRENNELL LTD  
PROFESSIONAL AUDIO EQUIPMENT  
MANUFACTURERS

DESIGN DEPT 69, SHIP STREET, BRIGHTON BN1 1AE TEL 01273 24928  
FACTORY KERNICK INDUSTRIAL EST, PENNYN, CORNWALL, TR 03260 72070

FCB AG 0165

DRG.No.

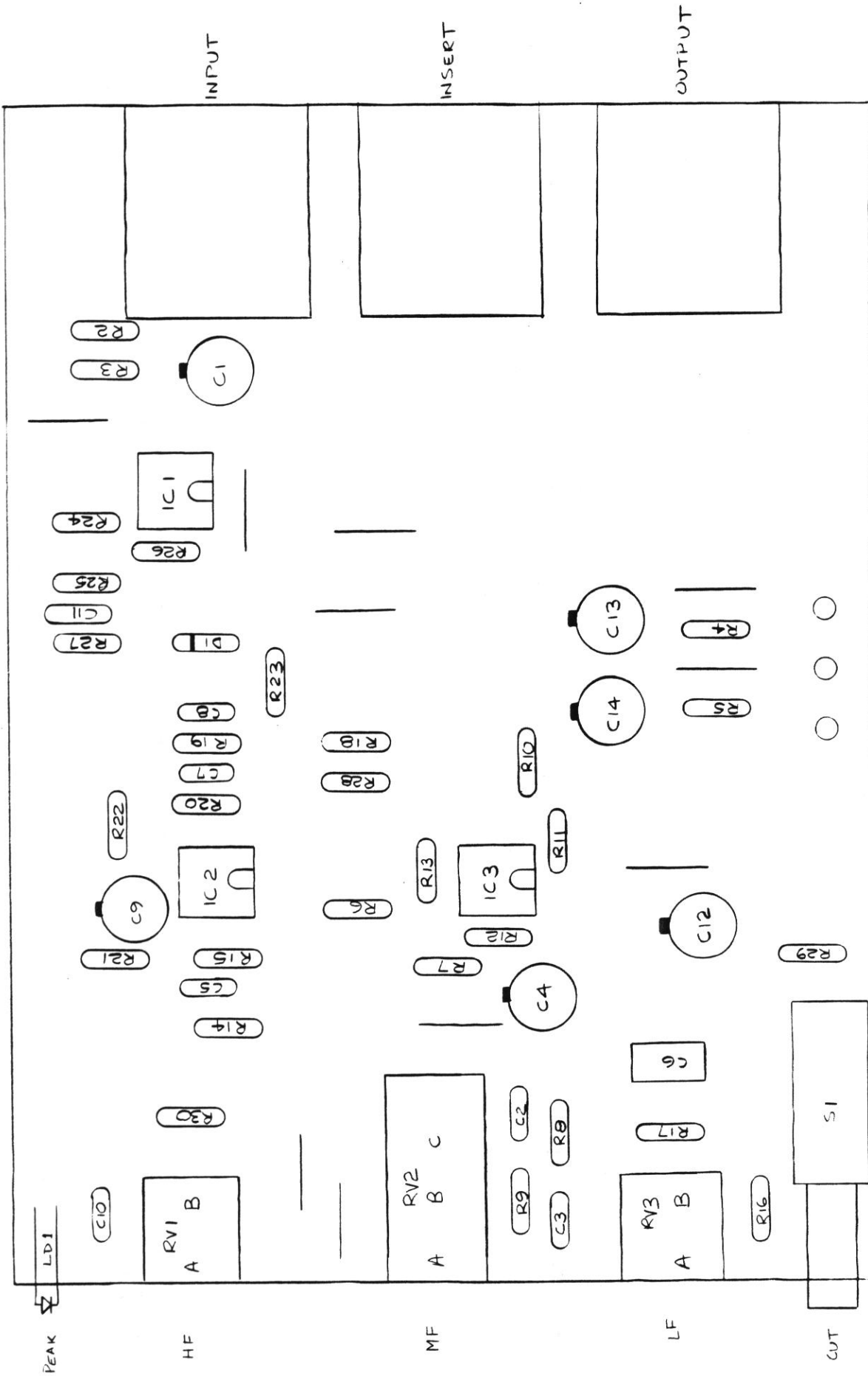
A131

ISSUE 1

G.M.R.

ISSUE

DRAWING No. A131



PEAK

LD1

HF

MF

LF

CUT

INPUT

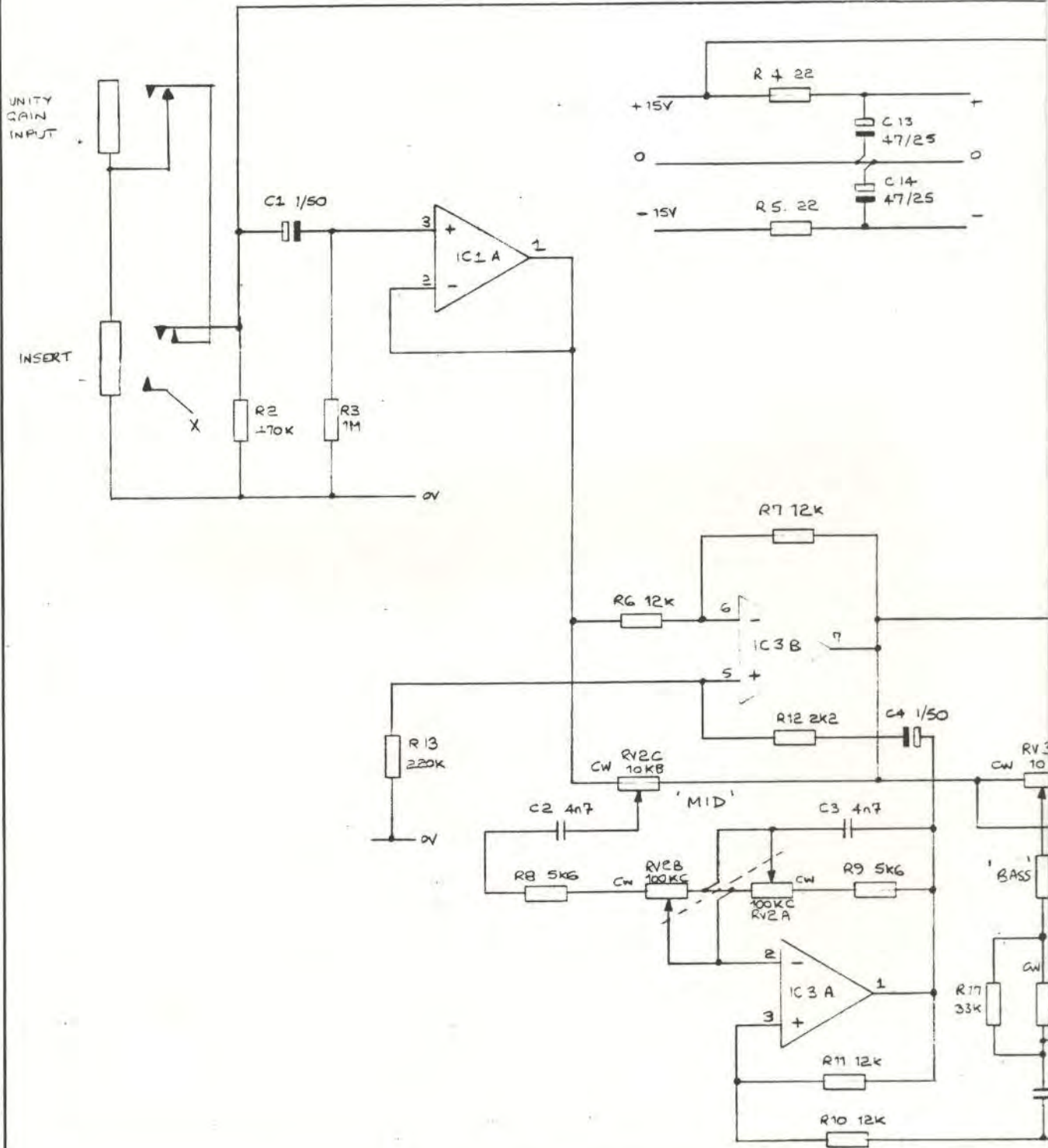
INSERT

OUTPUT

KEYMIX EQ 112  
OVERLAY  
SCALE 2:1

**AHB**  
ALLEN & HEATH BRENELL LTD.  
PROFESSIONAL AUDIO EQUIPMENT  
MANUFACTURERS  
DESIGN DEPT. 69, SHIP STREET, BRIGHTON BN1 1AE TEL 0273 24928  
FACTORY, KERNICK INDUSTRIAL EST, PENRYN, CORNWALL, PL 33 26H TEL 03264 72070

DRAWING No. BW 134 | ISSUE 2



No.	DESCRIPTION	CHK'D	APP'D	DATE
ALTERATIONS				

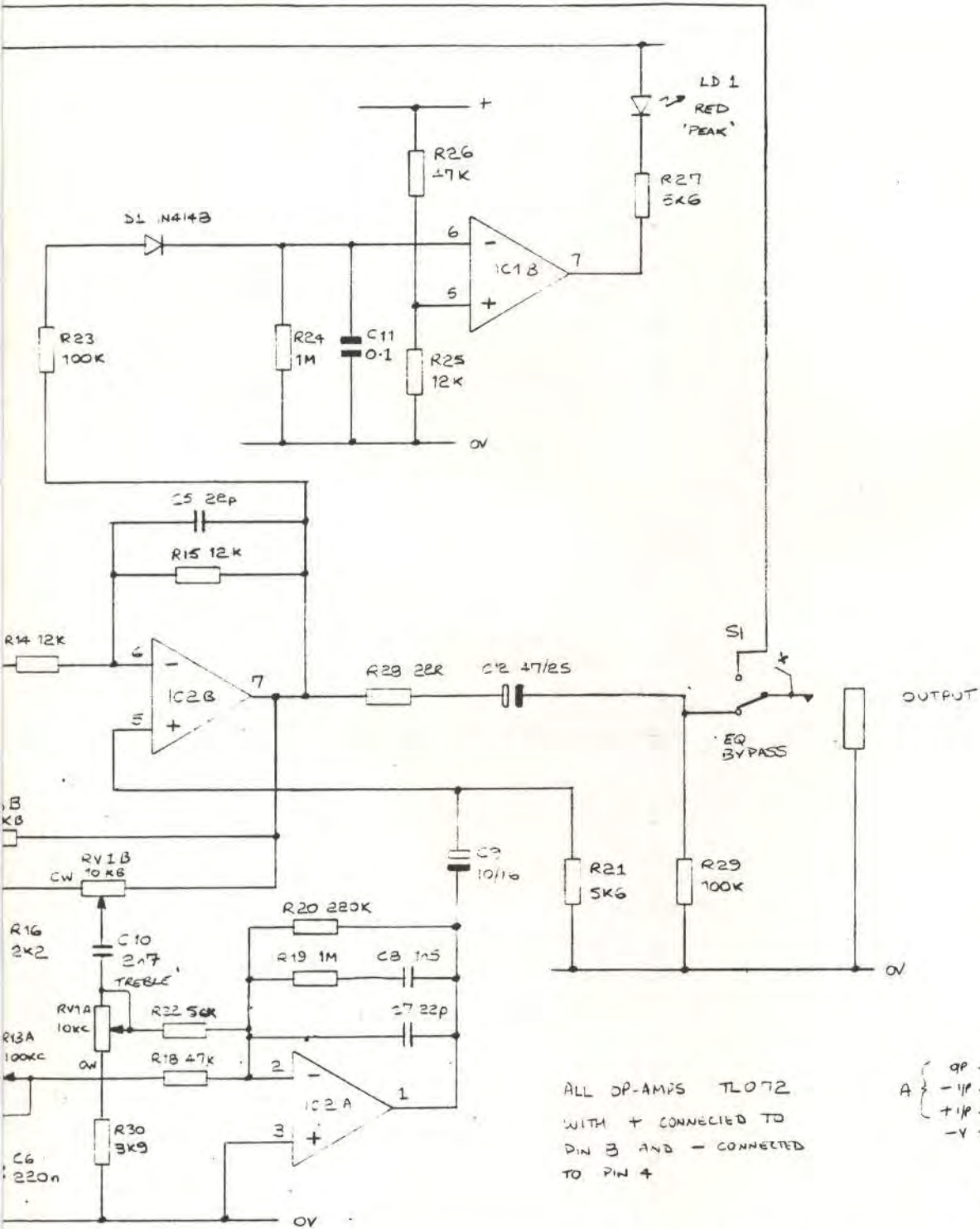
AHB KEYMIX SYSTEM

EQUALISER

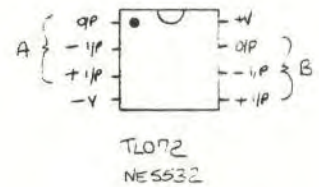
KM3

PCB A9 0118 1552





ALL OP-AMPS TLO72  
WITH + CONNECTED TO  
PIN 3 AND - CONNECTED  
TO PIN 4

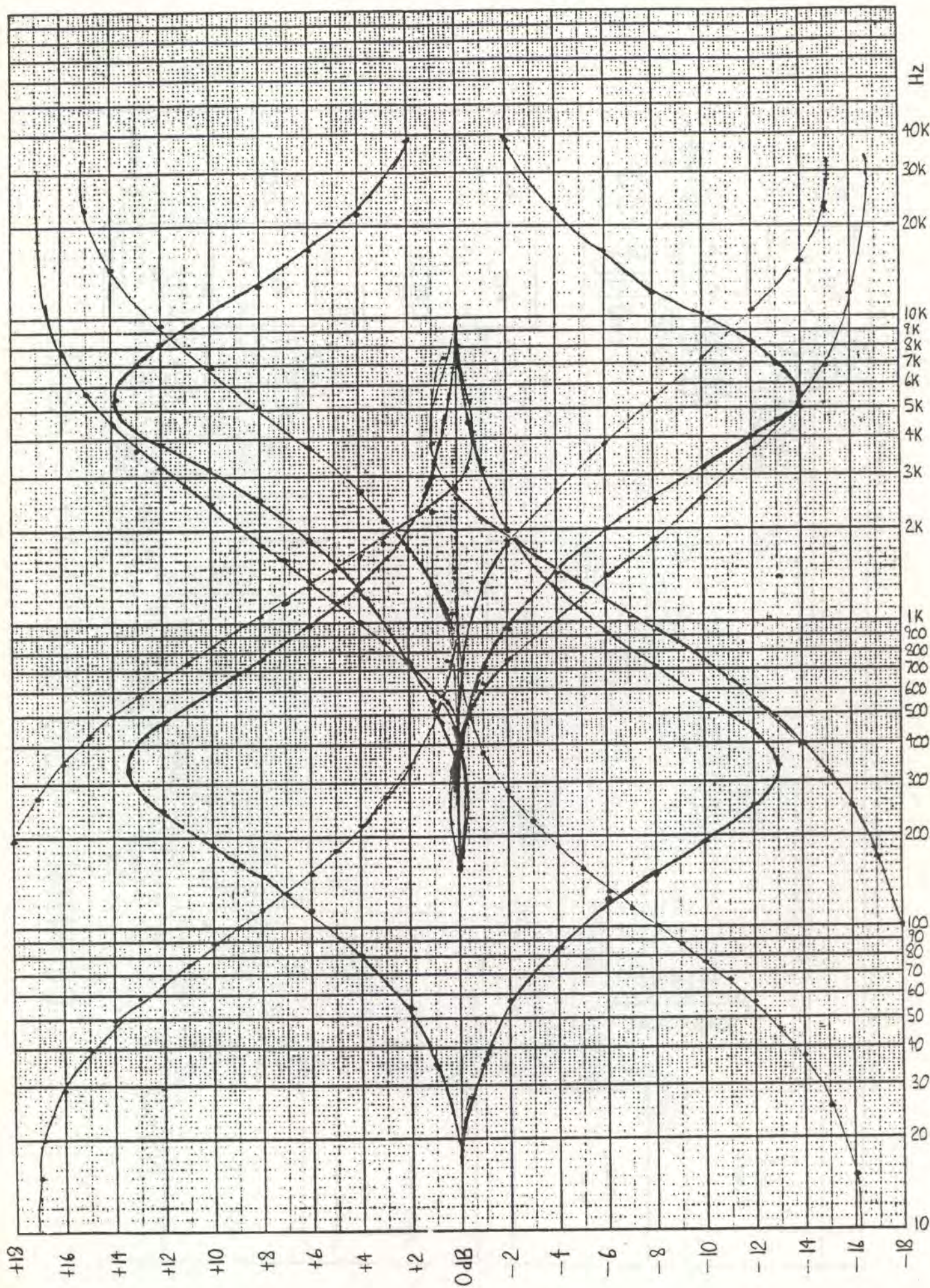


EQ OVERLAY

DRAWN	TRACED	CHECKED	APPROVED	DATE	SCALE
G.M.R		R		28/01/85	—

DRAWING No. M3D 137



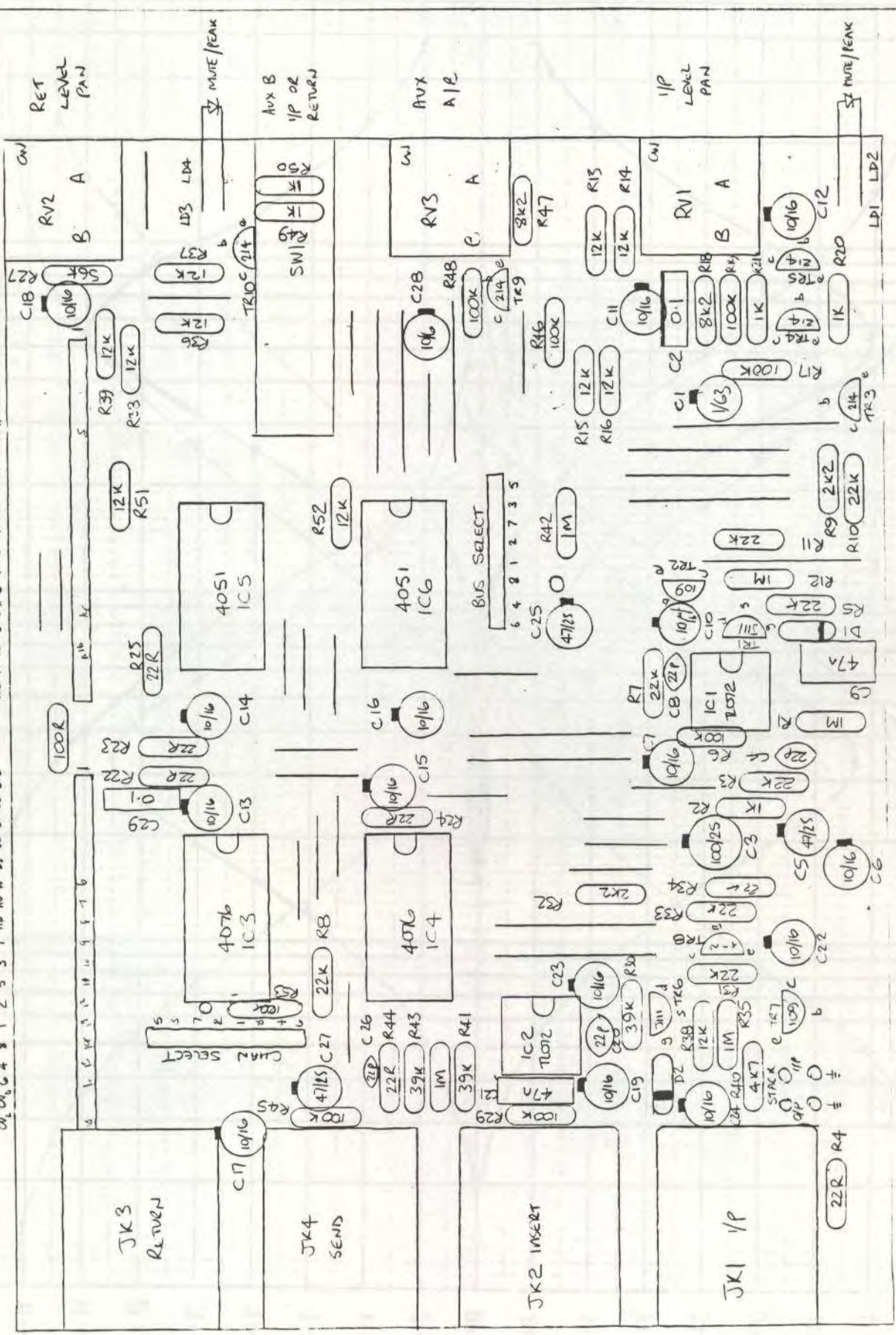


KEYMIX

KM3 EQUALISER RESPONSE CURVES



21 01 06 4 8 1 2 5 3 7 10 11 13 14 15 16 17 18 19 20 21 22 23 24 25 26 27 28 29 30 31 32 33 34 35 36 37 38 39 40 41 42 43 44 45 46 47 48 49 50 51 52 53 54 55 56 57 58 59 60 61 62 63 64 65 66 67 68 69 70 71 72 73 74 75 76 77 78 79 80 81 82 83 84 85 86 87 88 89 90 91 92 93 94 95 96 97 98 99 100  
 LAD 15 16 17 18 19 20 21 22 23 24 25 26 27 28 29 30 31 32 33 34 35 36 37 38 39 40 41 42 43 44 45 46 47 48 49 50 51 52 53 54 55 56 57 58 59 60 61 62 63 64 65 66 67 68 69 70 71 72 73 74 75 76 77 78 79 80 81 82 83 84 85 86 87 88 89 90 91 92 93 94 95 96 97 98 99 100



CHANNEL PCB OVERLAY ISS. 2

RET LEVEL PAN

Aux B VP OR RETURN

Aux A 12

VP LEVEL PAN

MUTE/PEAK

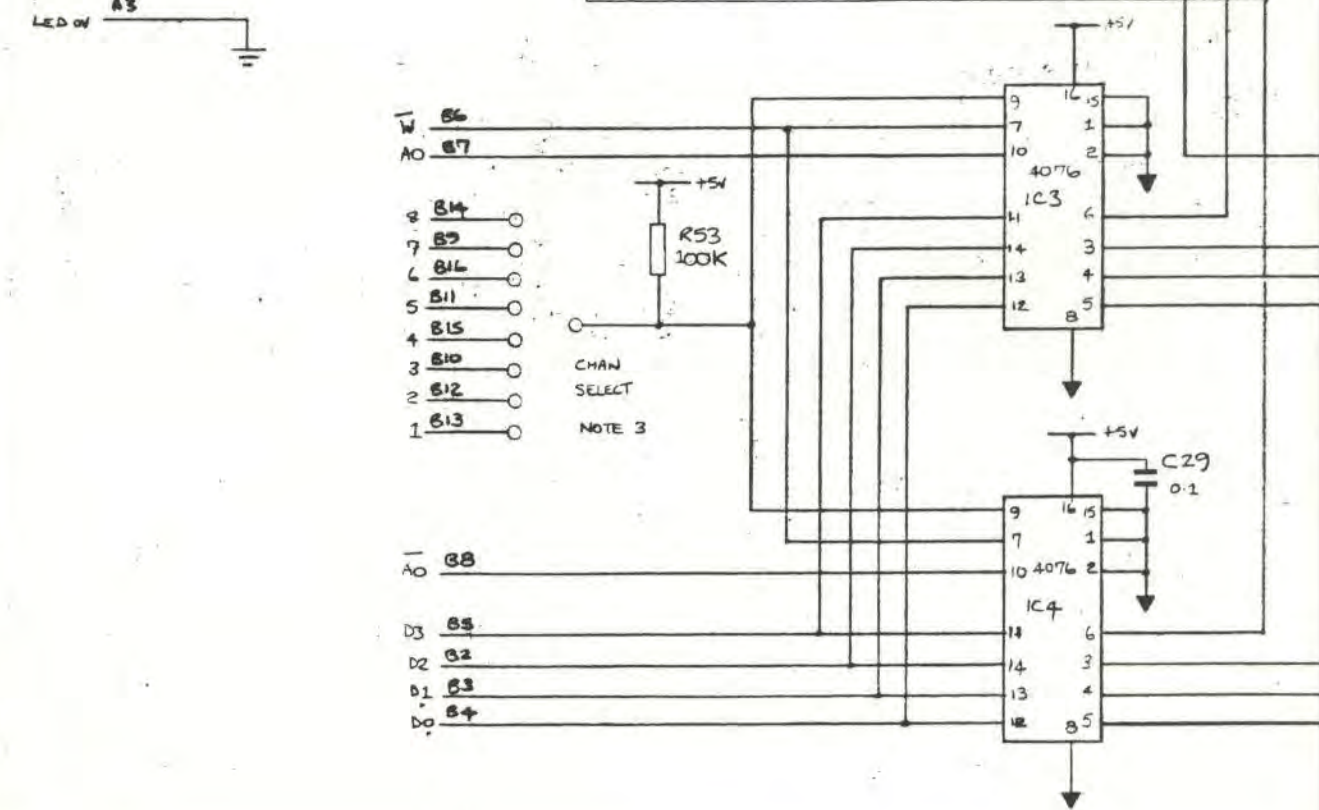
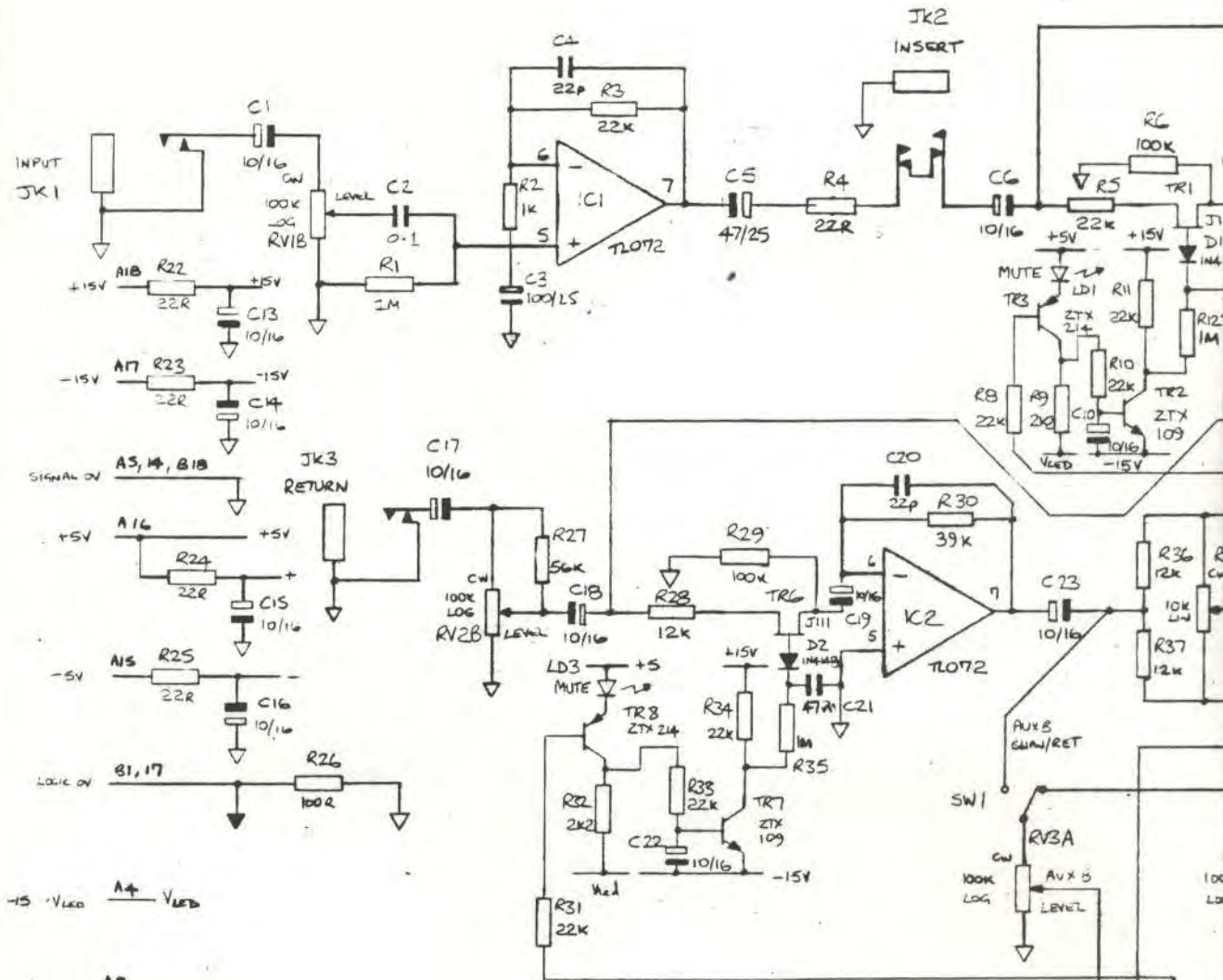
JK3 RETURN

JK4 SEND

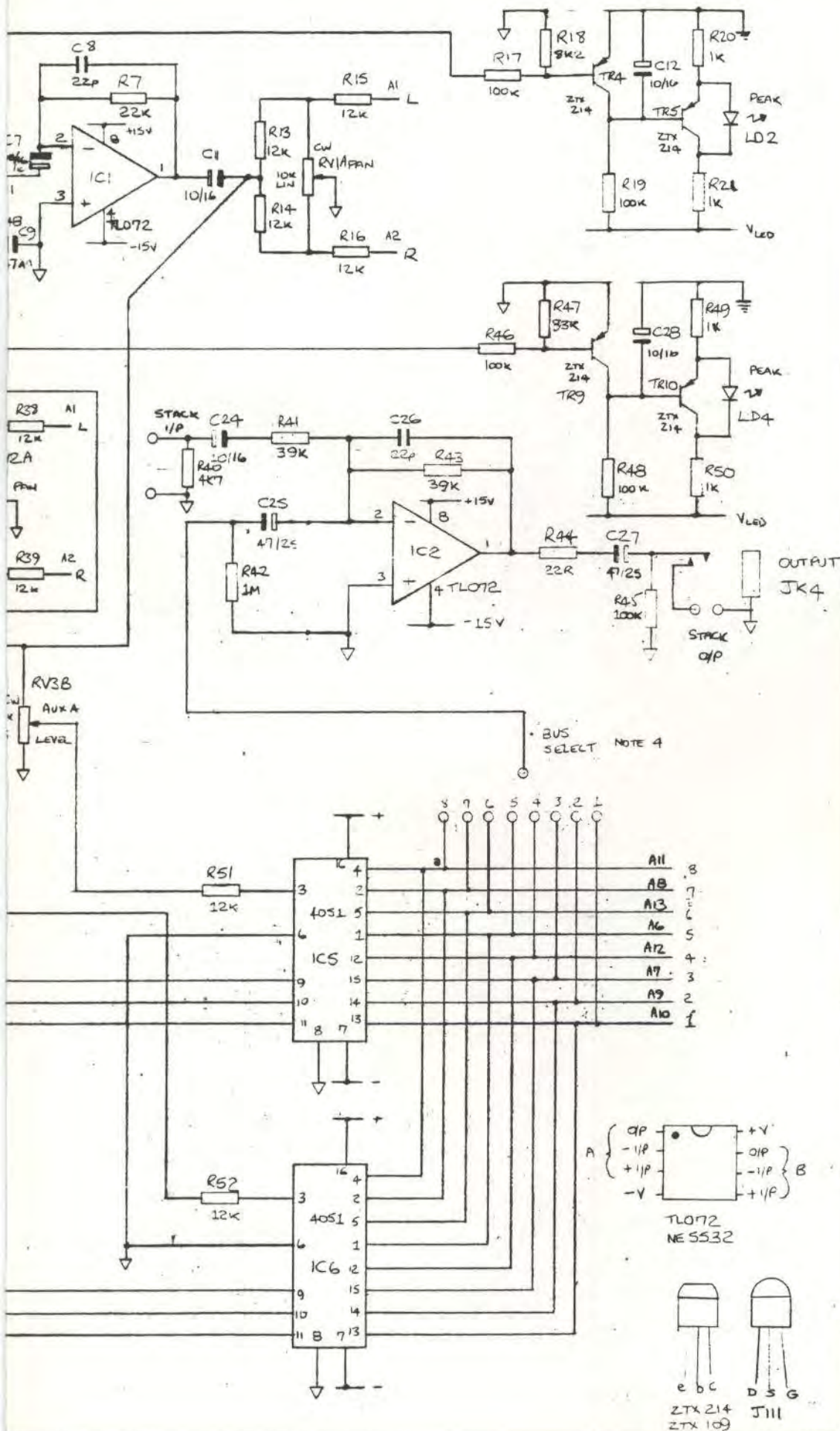
JK2 INSERT

JK1 VP









**Notes**

1. No dimensions to be scaled from this drawing.
2. STACK SIGNAL FLOW IS INDICATED ON KEYMIX BLOCK DIAGRAM KM1.
3. CHANNEL SELECT LINK IS FITTED SO THAT CHANNEL 1 CONNECTS B13 TO IC3 R4. CH2 B12 TO IC3 R4 ETC. THIS IS THE COMPUTER CONTROL ROUTE - MUTE ADDRESS LOGIC DECADE.
4. BUSS SELECT LINK IS FITTED SO THAT CHANNEL 1 OUTPUT IS THE MIX OF THE INPUTS ROUTED TO 1, ETC. THIS IS THE ANALOGUE SUMMING BUSS TERMINATION.

No.	Revisions	Date
2	R47 VALUE CHANGE	5/3/85
1	ORIGIN	19/5/85

**Client**  
 AHB - JD  
 63 SHIP ST  
 BRIGHTON  
 BN 1AE

**Project**  
 AHB KEYMIX

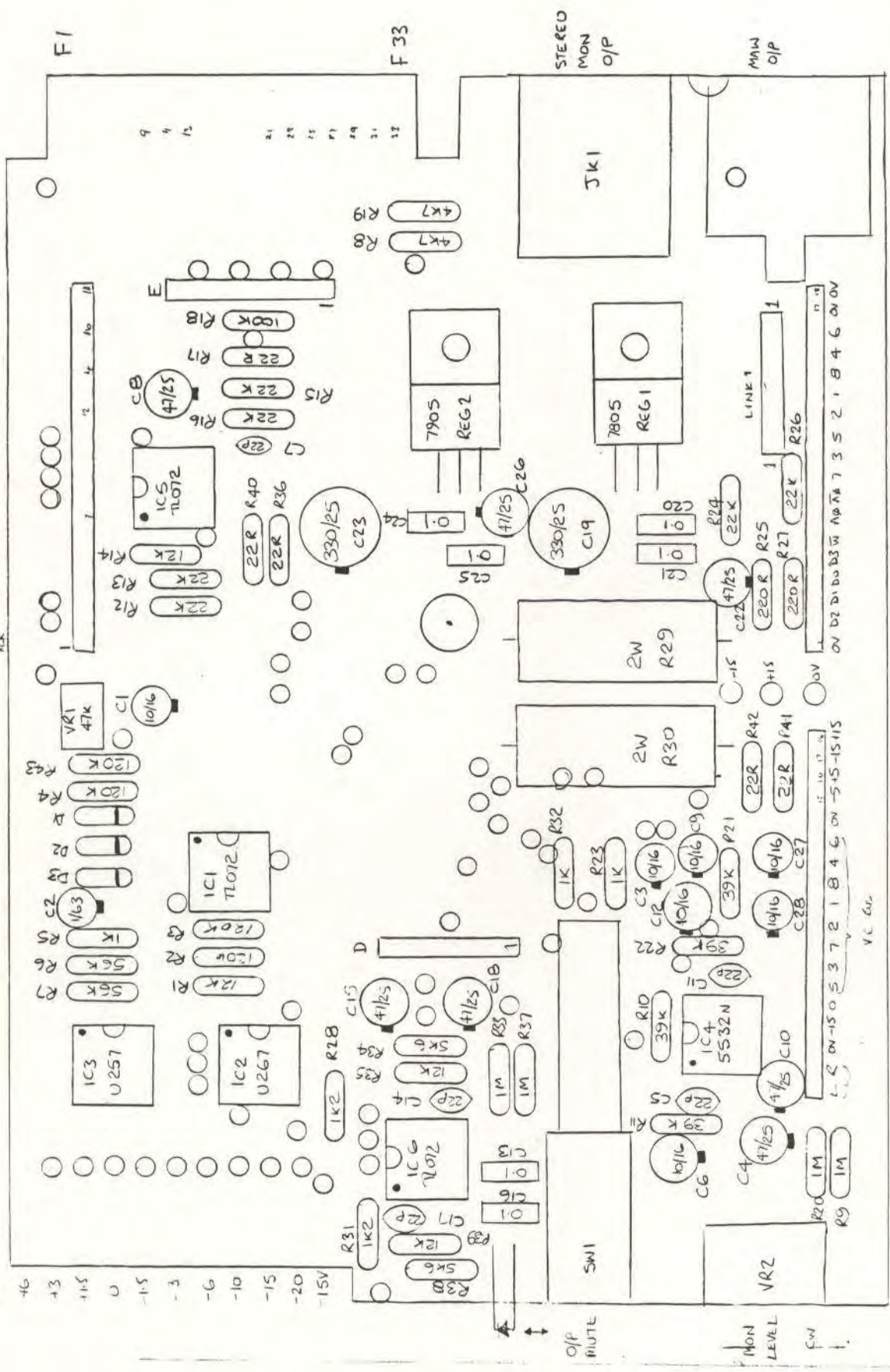
KEYMIX CHANNEL  
 CIRCUIT DIAGRAM

Drawn by C.M.R.	Scale —
Date 10/5/85	Checked by —
Draw. No. MBD/134	Rev. 2



OV BOARD TO MONITOR DZ DI DO W AO M1 A2 A3 A4 A5

1/4 100k 5.1k

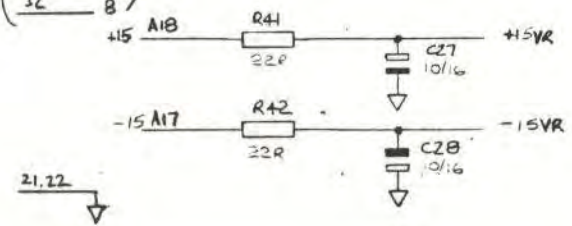
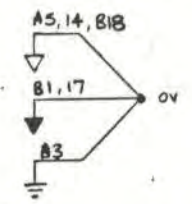
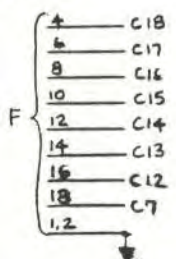
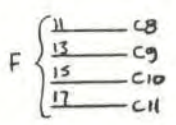
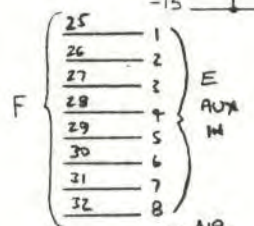
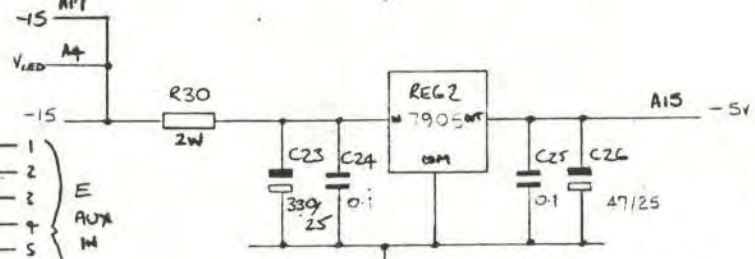
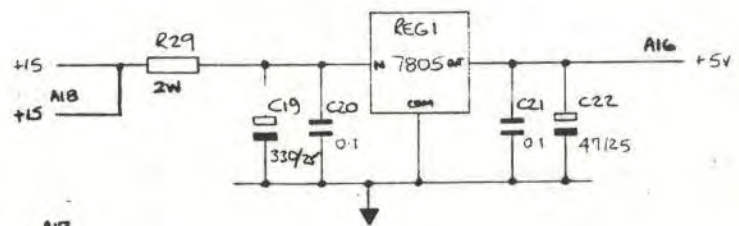
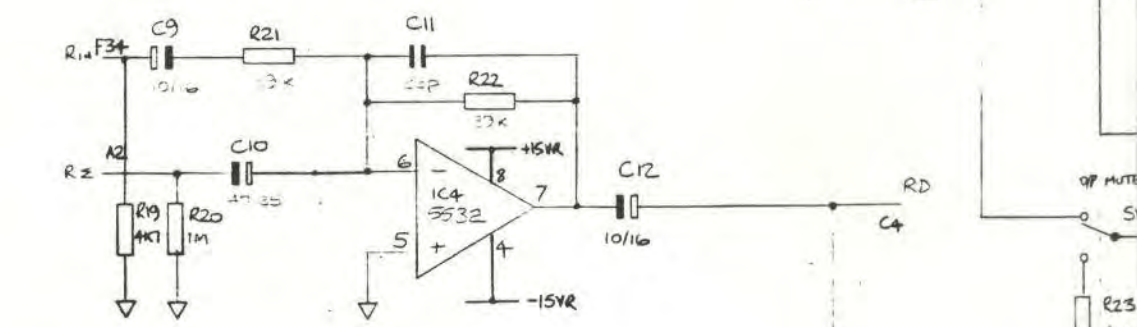
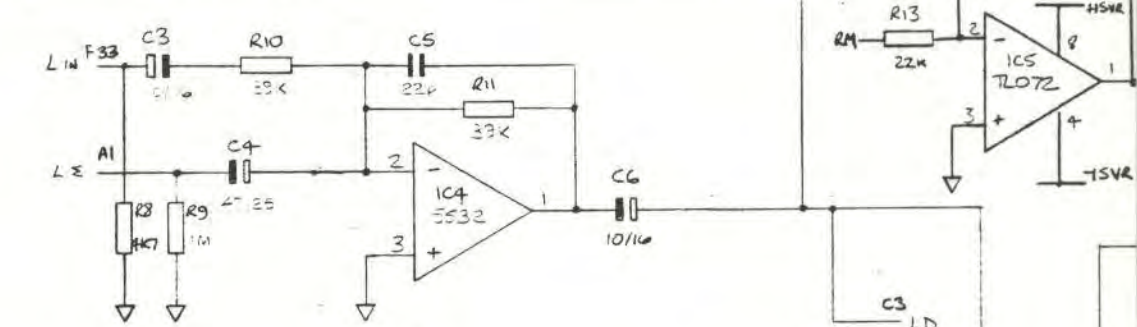
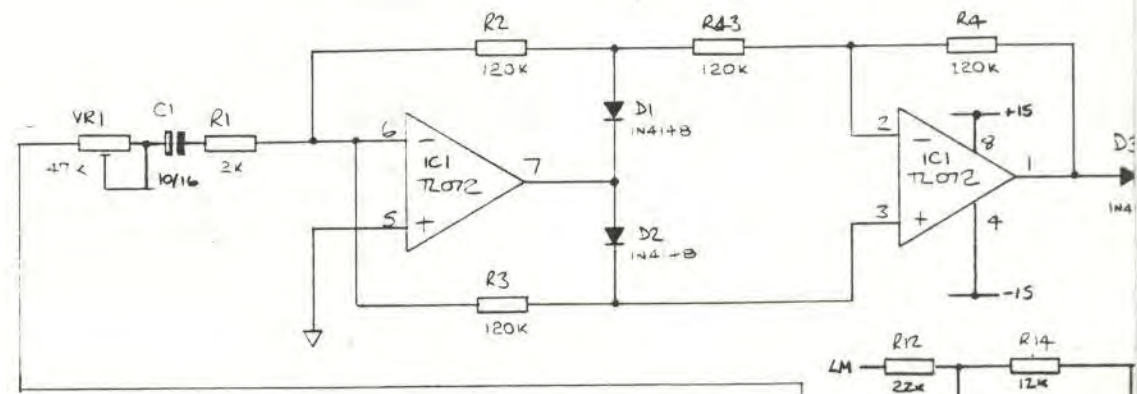


LOGIC B

ANALOGUE A

6W 130

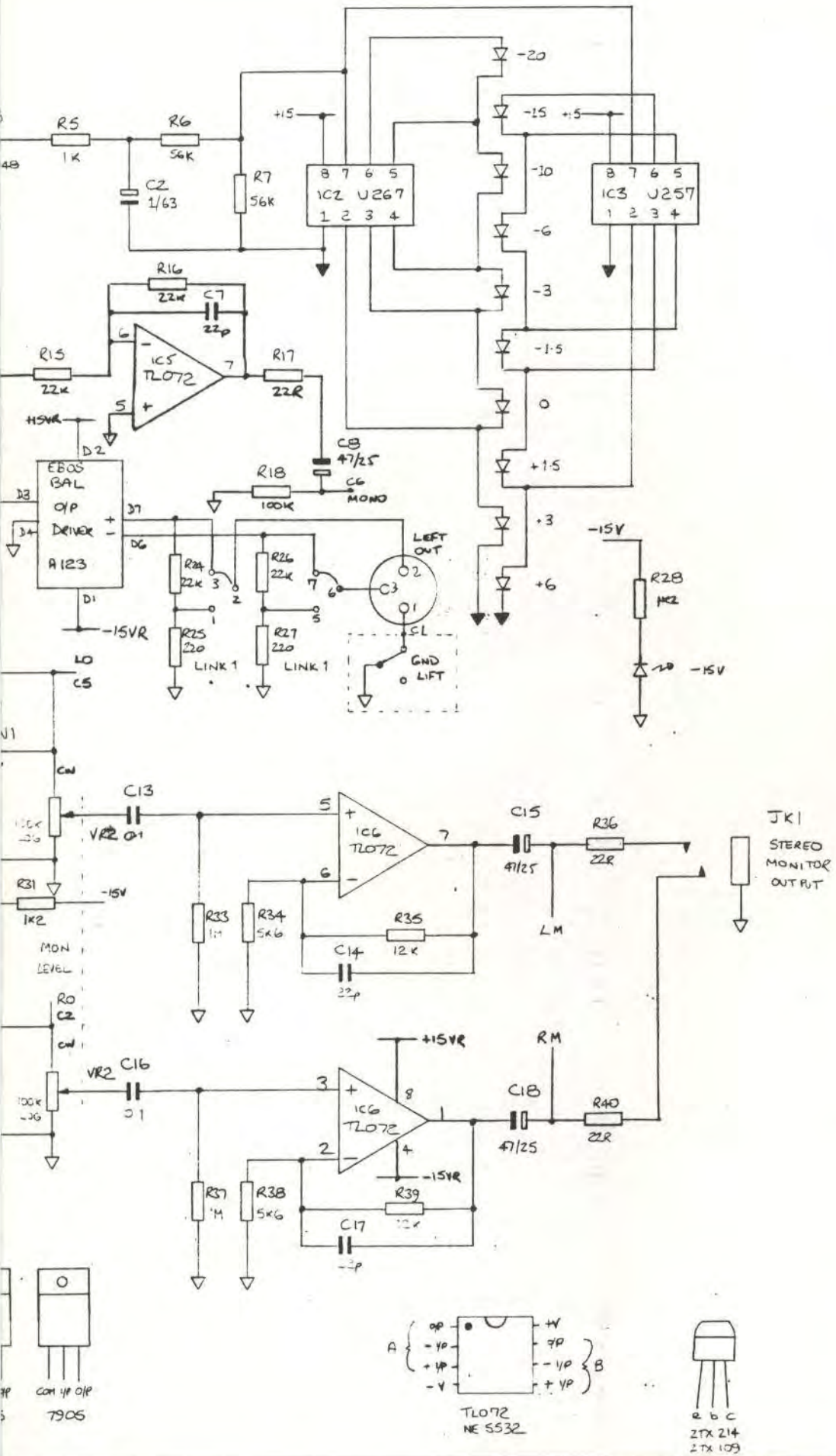
# MASTER LEFT PCB





**Notes:**

1. No dimensions to be scaled from this drawing.
2. LINK 1 7 WAY CONNECTOR SUPPLIED FITTED FOR HIGH OUTPUT LEVEL. REVERSE 180° FOR LOW OUTPUT LEVEL.



**Client**  
 AHB  
 69 SHIP STREET  
 BRIGANTON  
 BN1 1AE

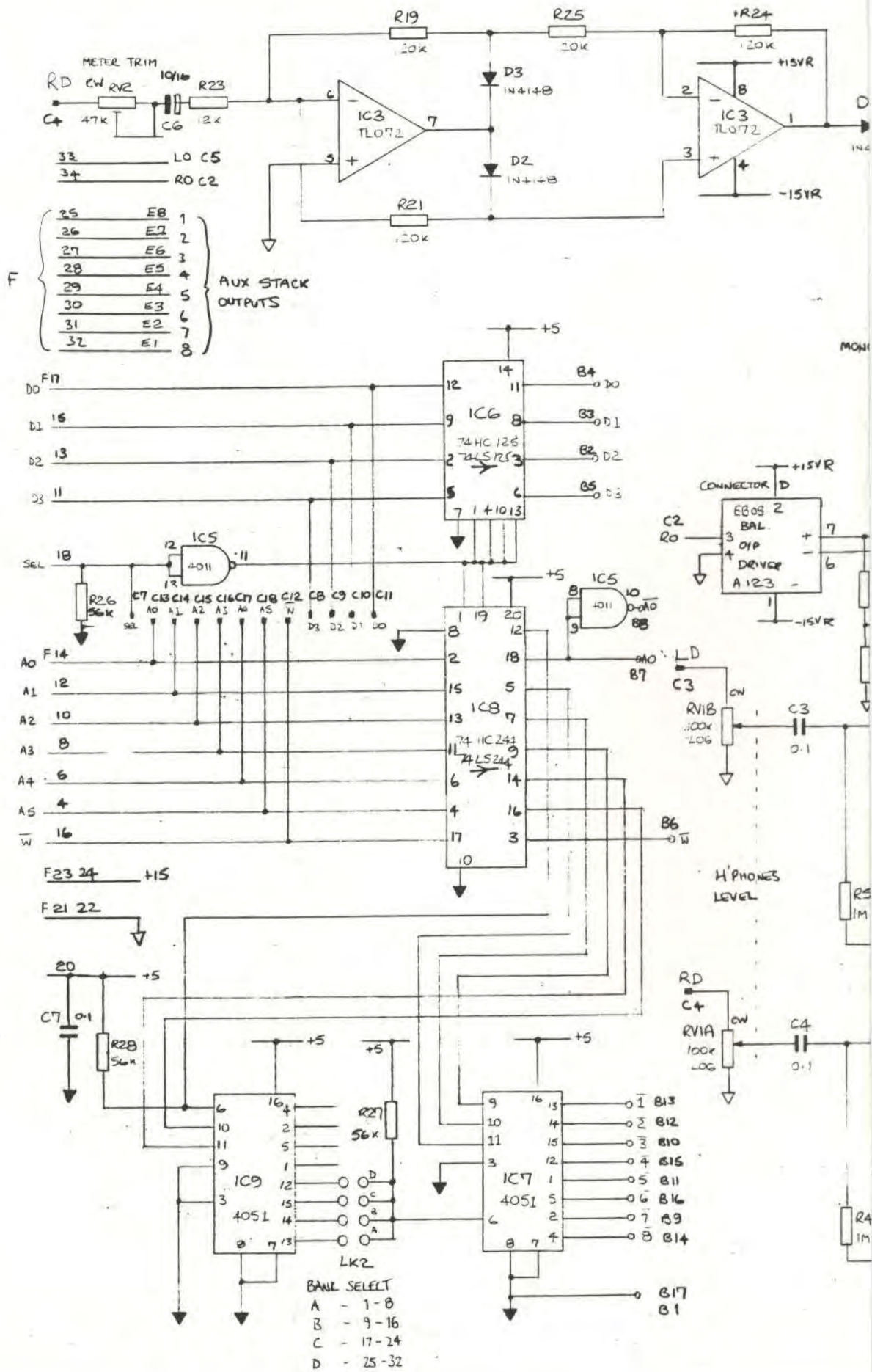
**Project**  
 AHB KEYMIX

KEYMIX MASTER LEFT  
 CIRCUIT DIAGRAM

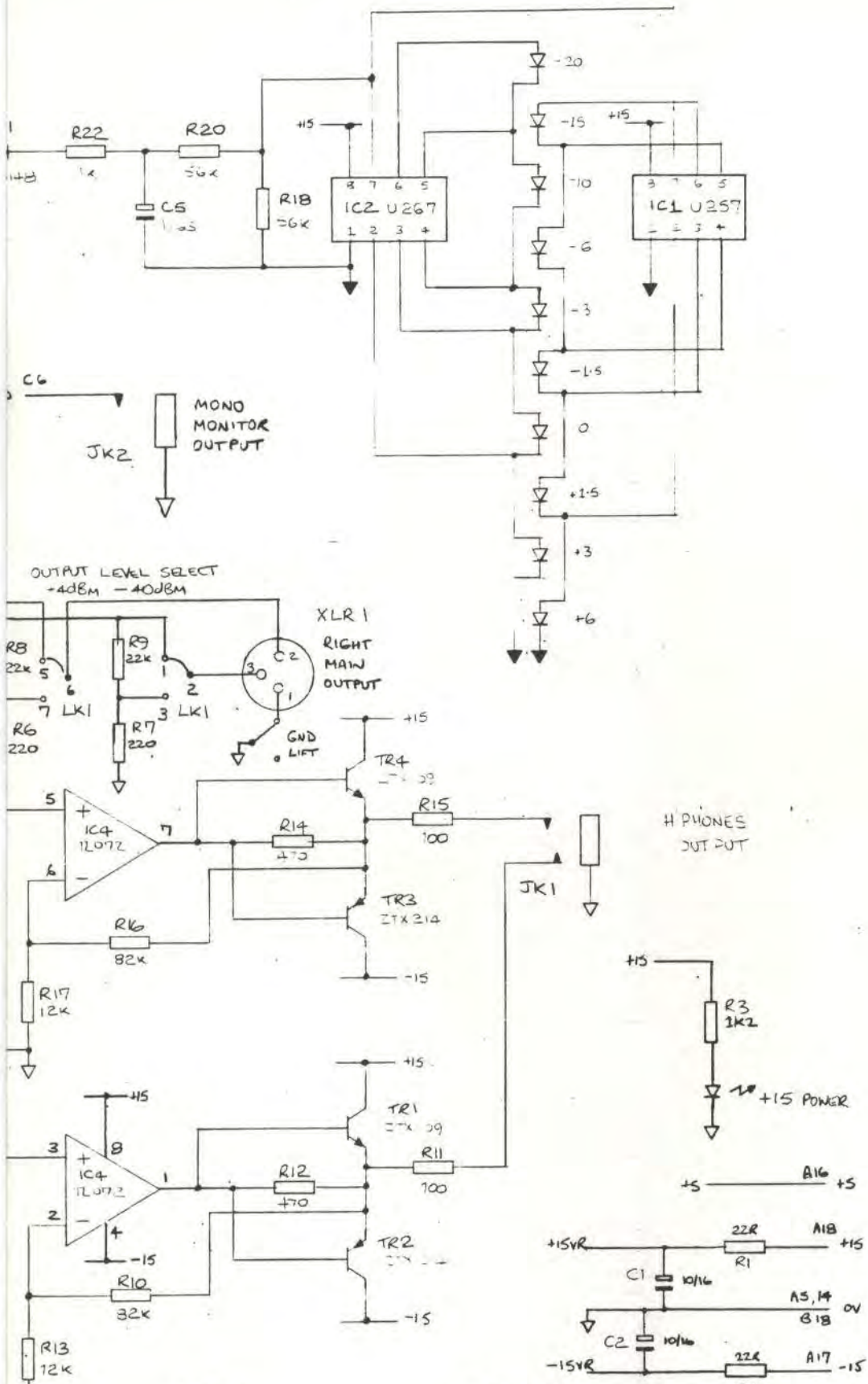
<b>Drawn by</b> G.M.R.	<b>Scale</b> —
<b>Date</b> 15/5/85	<b>Checked by</b> —
<b>Org. No.</b> MBD / 136	<b>Rev.</b> 1



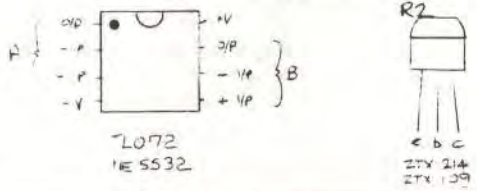








NOTE  
 IC5 UNUSED INPUTS  
 CONNECTED TO LOGIC 0V  
 IC5 PIN 14 → +5V  
 PIN 7 → 0V



- Notes**
1. No dimensions to be scaled from this drawing.
  2. LINK 1 7 WAY CONNECTOR SUPPLIED FITTED FOR HIGH OUTPUT LEVEL. REVERSE 180° FOR LOW OUTPUT LEVEL.
  3. LINK 2 JUMPER DETERMINES THE BANK ADDRESS IDENTITY OF MASTER AND SLAVE UNITS FOR PURPOSES OF COMPUTER ROUTE AND MUTE CONTROL. LINK 2 IS FITTED AT MANUFACTURE IN POSITION 'A' ON MASTER KMT, AND B ON SLAVE KMT UNITS WHICH THEN RESPOND TO LOGIC ADDRESSES BANK 1-3. MOVE LINK 2 TO ADDRESS UNITS IN BANKS 7-16, 17-24 OR 25-32.

No.	ORIGIN	Date
		15/5/85

**Client**  
 AHB  
 69 SHIP STREET  
 BRIGHTON  
 BN1 1AE

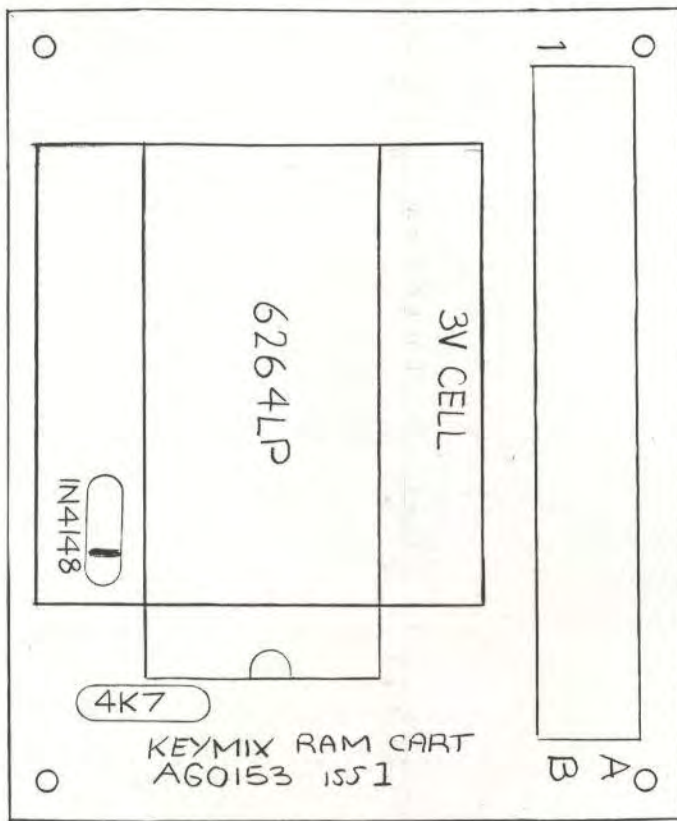
**Project**  
 AHB KEYMIX

KEYMIX MASTER RIGHT  
 CIRCUIT DIAGRAM

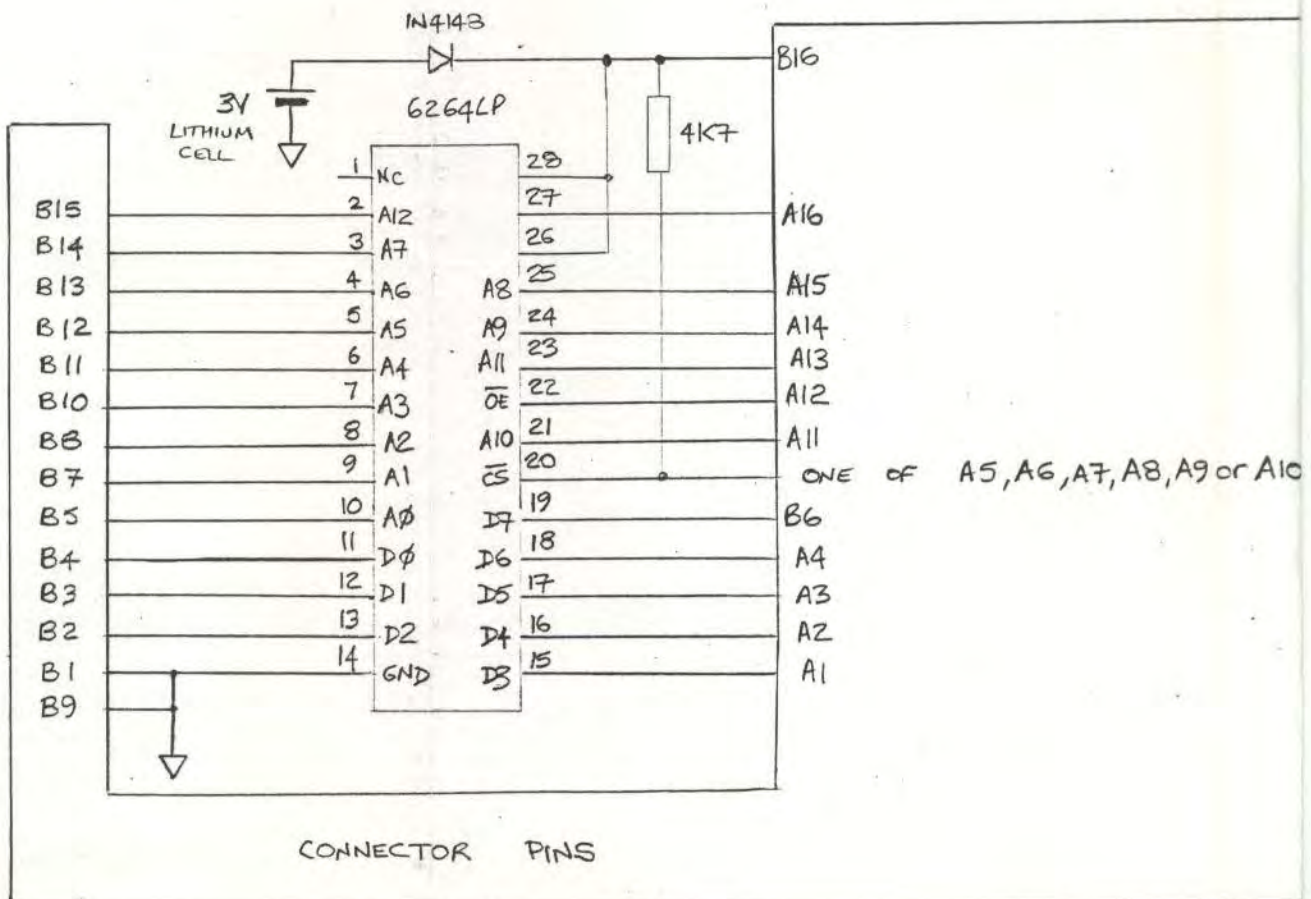
Drawn by G.M.R.	Scale
Date 15/5/85	Checked by
Org. No. MBD / 135	Rev. 1



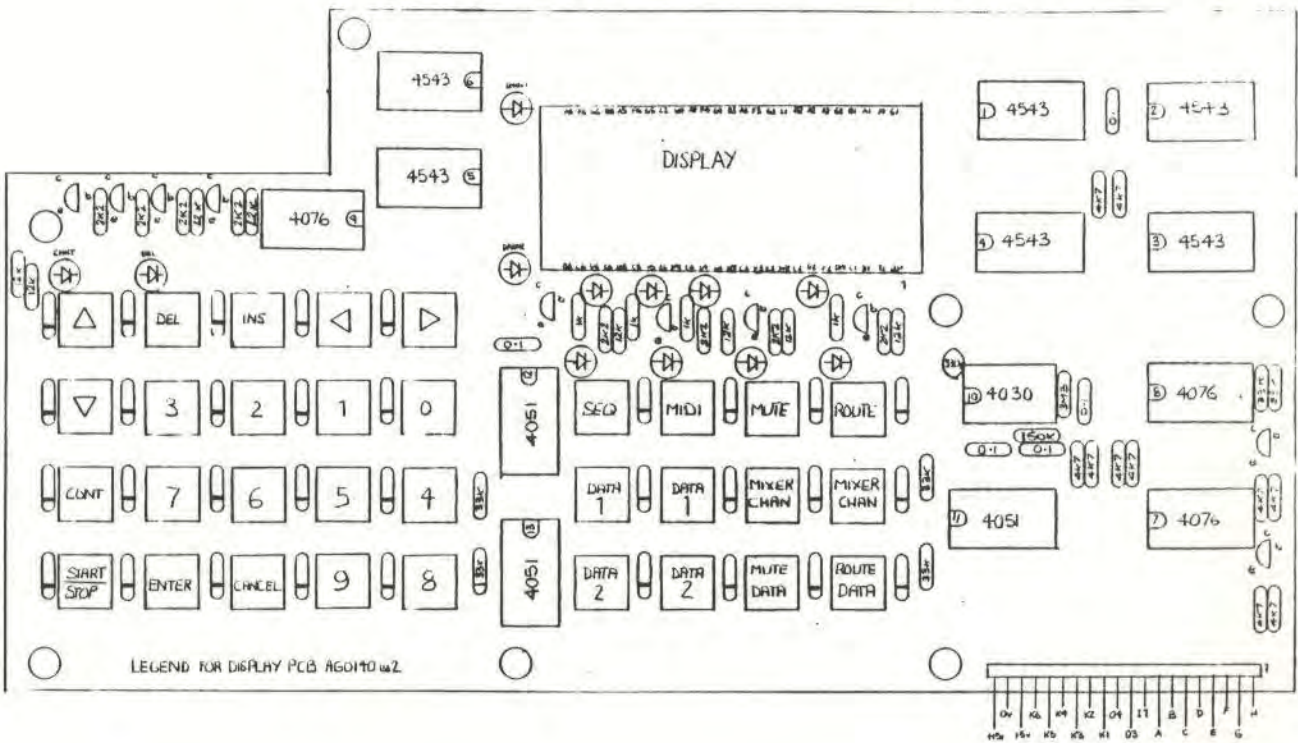
# KMM CARTRIDGE



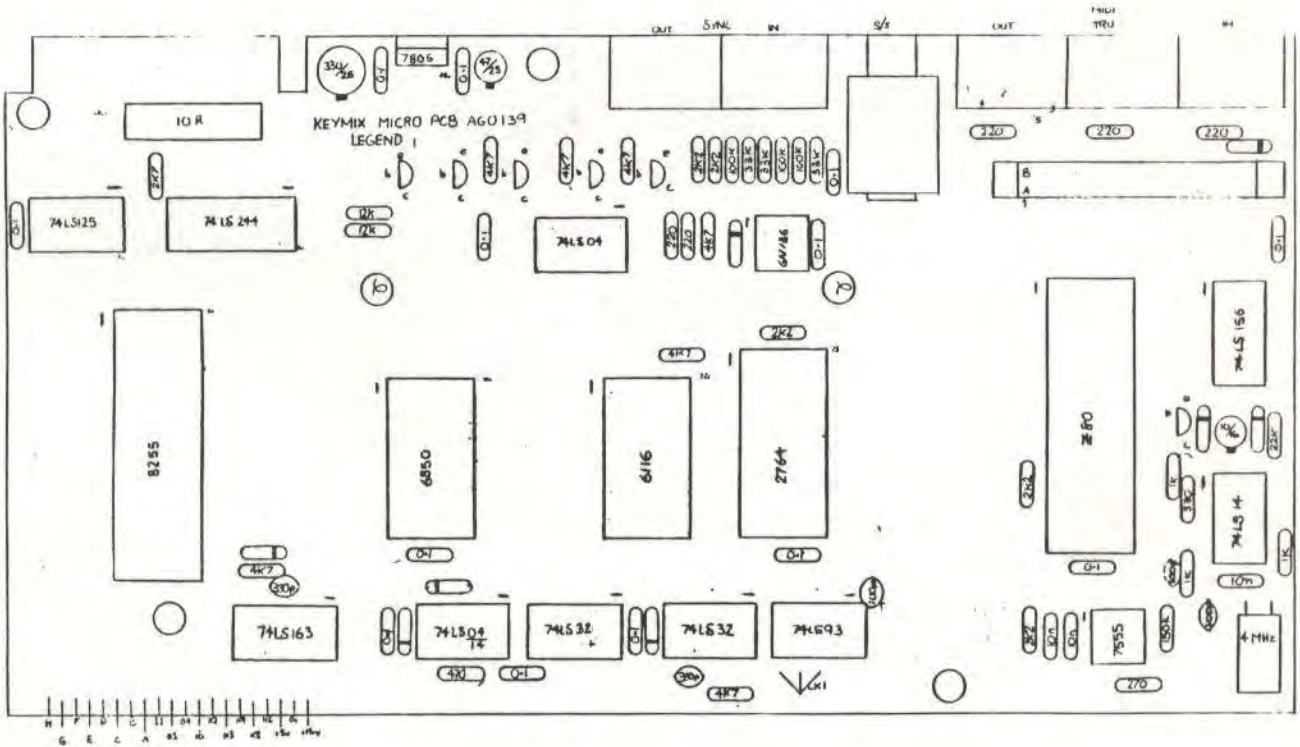
# KMM CCT



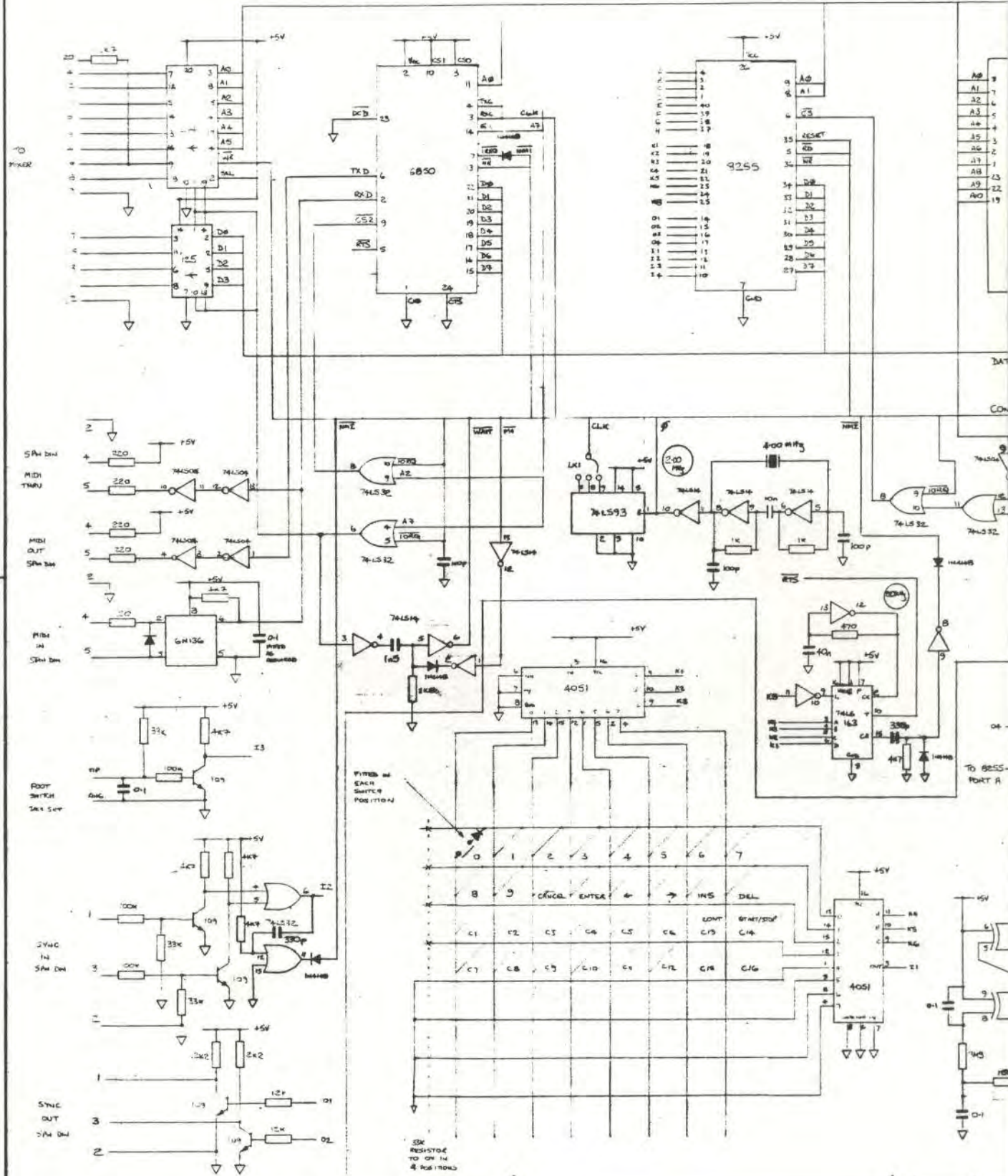
# DISPLAY PCB



# MICRO PCB



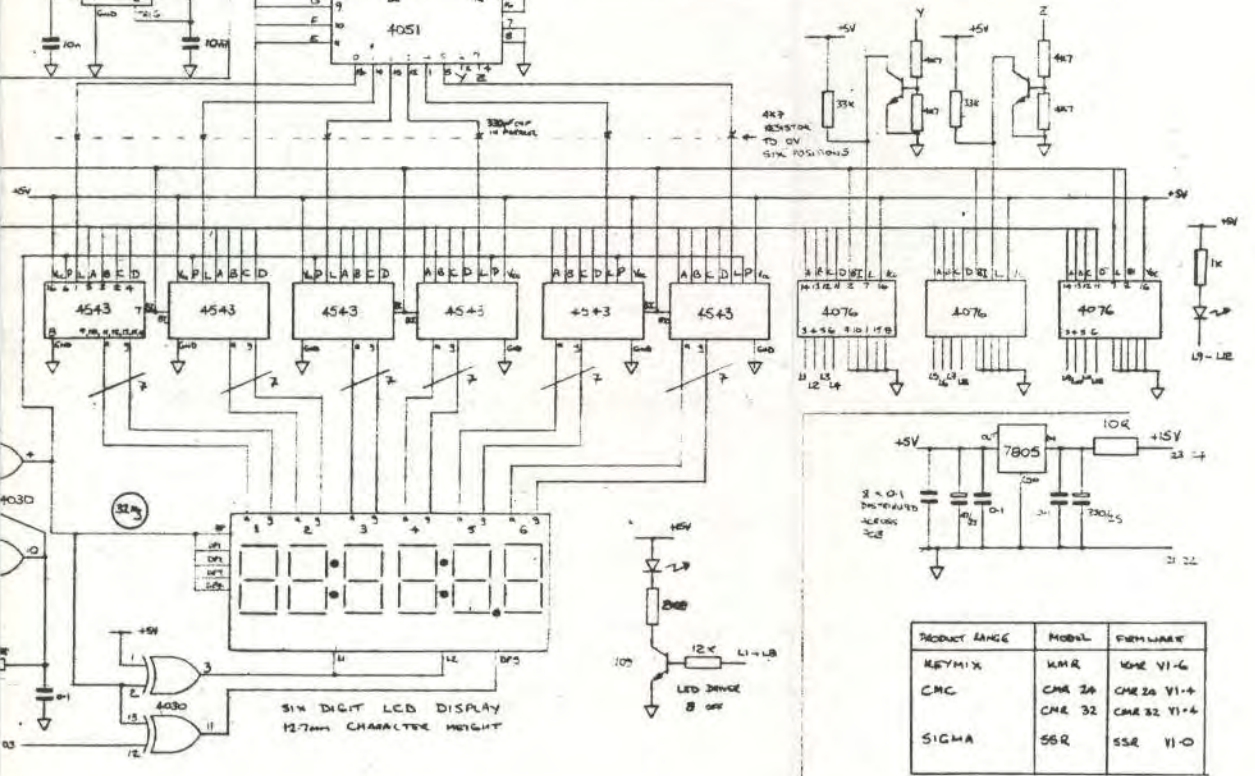
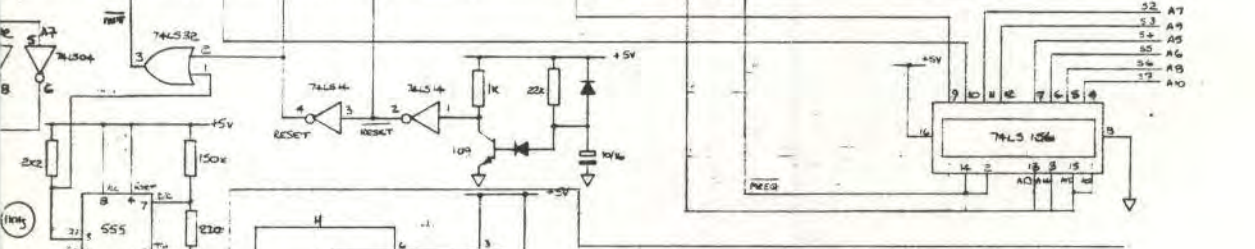
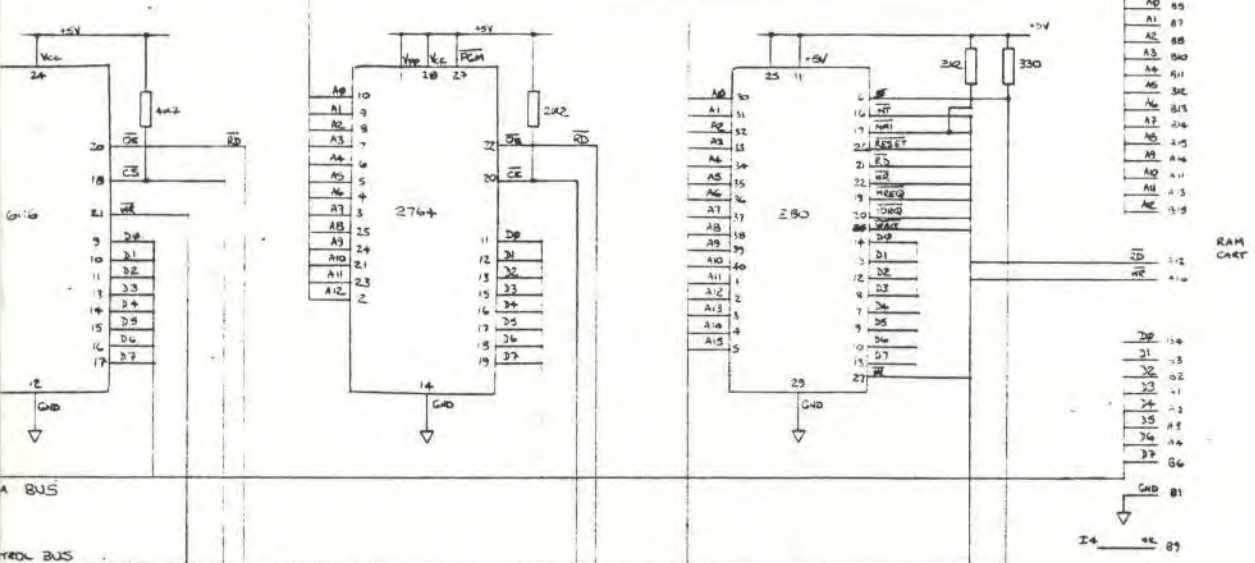




STANDARD NOTES				MATERIAL		TOLERANCES	
ALL DIMENSIONS IN MM						GENERAL ±0,25 mm	
DO NOT SCALE DRAWING						HOLE CENTRES ±0,15 mm	
THIRD ANGLE PROJECTION						HOLE SIZES ±0,10 mm	
REMOVE ALL BURRS & SHARP EDGES							
SCALE						UNLESS STATED OTHERWISE	
CHK	CCS UPDATES	LAST/REVISED	DATE	CHECKED			
CHK	CCS UPDATES		7/1/85				
CHK	CCS UPDATES		10/12/85				
DRW	REVISION	DATE	CHECKED				



ADDRESS BUS



PRODUCT RANGE	MODEL	FIRMWARE
KEYMIX	KMR	KMR V1-G
CMC	CMR 2A	CMR 2A V1-G
	CMR 32	CMR 32 V1-G
SIGMA	SSR	SSR V1-O

FINISH

NOTES

UNIT TITLE

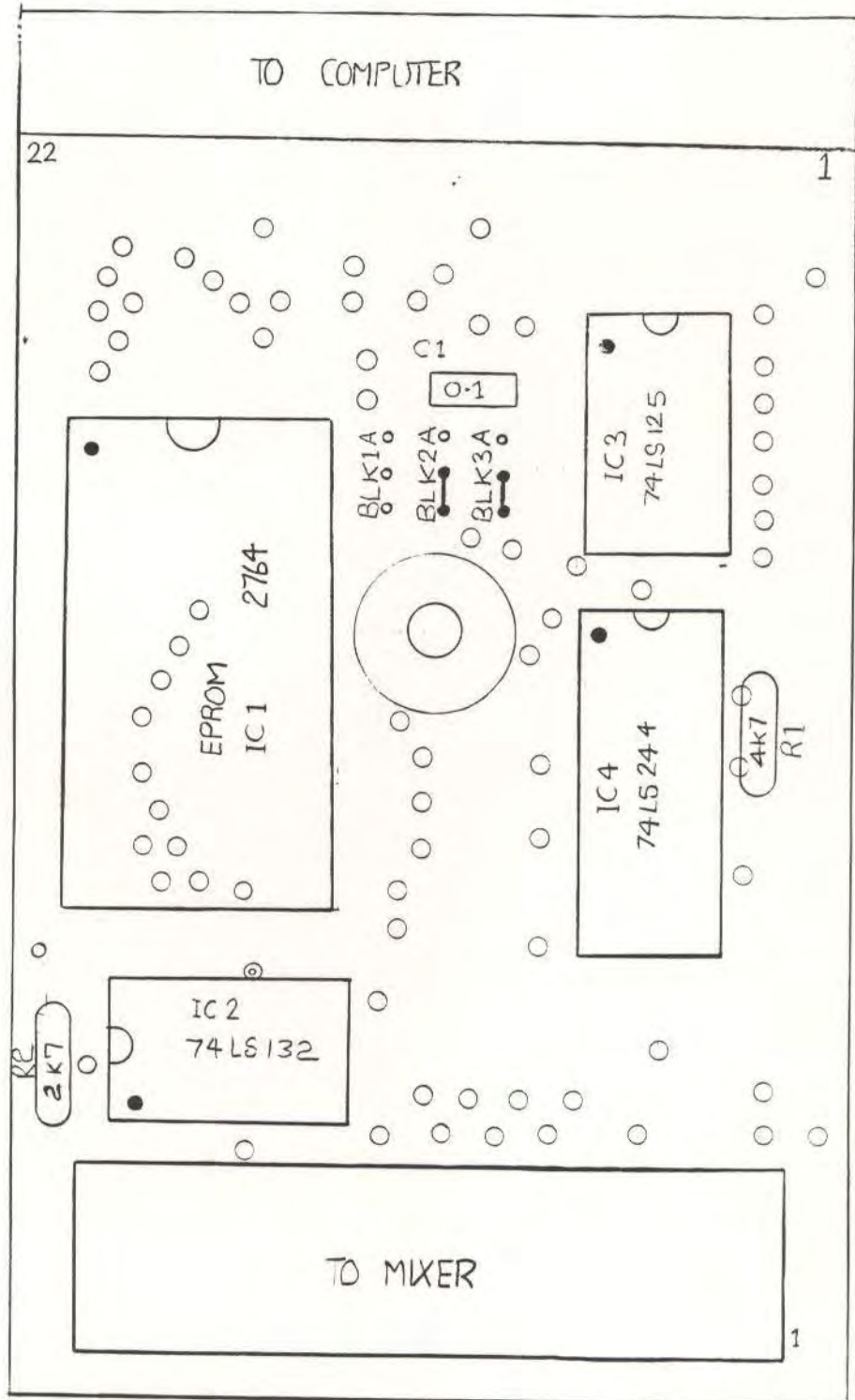
KMIX REMOTE CIRCUIT

DRAWING TITLE

**AHB** ALLEN & HEATH BIRNELL LTD  
 PROFESSIONAL AUDIO EQUIPMENT MANUFACTURERS  
 DESIGN DEPT. 28 SHIP STREET, BIRMINGHAM B5 4AE TEL 0273 2888  
 FACTORY KERRICK INDUSTRIAL EST, PENYTH, CORNWALL, TR 2629 7289  
 DRAWING No. MBD 141

AHB

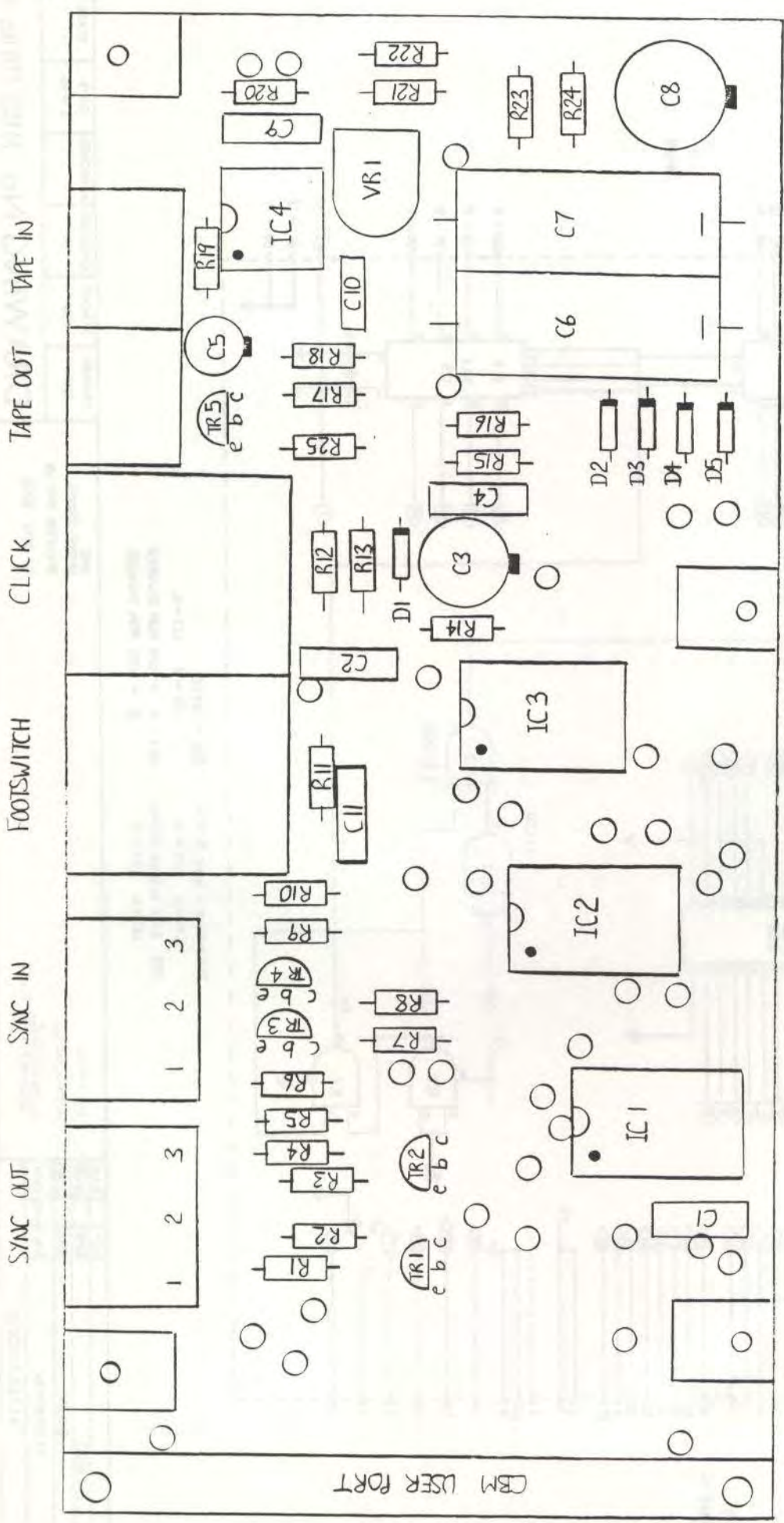
KMI 64 COMPONENT OVERLAY ISS 3



PINS 76



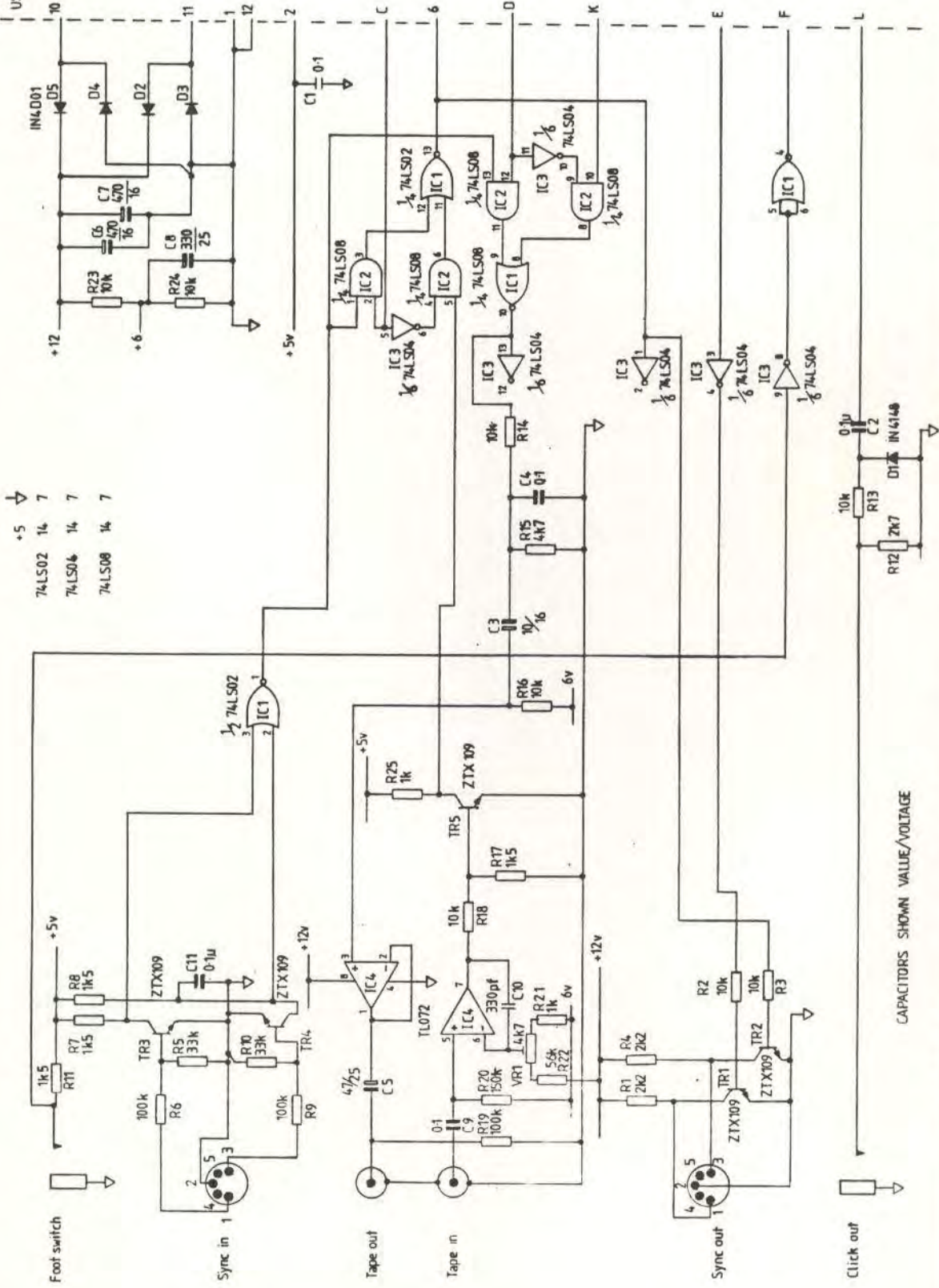




KMS 64 COMPONENT OVERLAY      ICB AG008 ISSUE2      BW117      AHB 69 SHIP STREET, BRIGHTON



CBM 64  
USER-PORT



CAPACITORS SHOWN VALUE/VOLTAGE

DRAWN	GMR	TRACED	KRP	CHECKED	APPROVED	DATE	SCALE
						23-195	

AHB  
69 SHIP STREET,  
BRIGHTON BNI IAE.  
Tel. 0273 / 24928

KEY-MIX KMS64 CIRCUIT DIAGRAM  
SYNC SYSTEM  
K MS 64 PCB AG0708

No.	DESCRIPTION	ORIGIN	CHECKED	DATE
1				

ALTERATIONS

DRAWING No. MBD 119 iss2