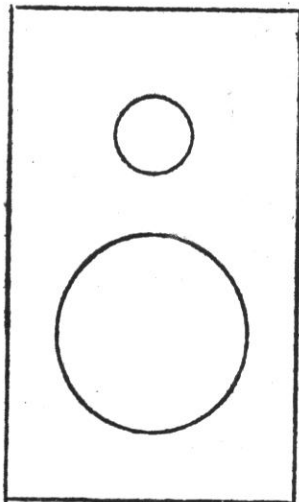


MODULAR MIXER - Rear socket layout on modules.

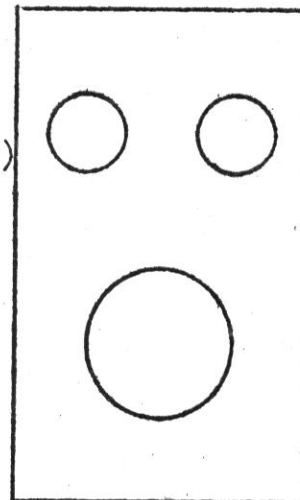
Input



Line input
(SP jack)

Mic. Input
(Female XLR)

Output

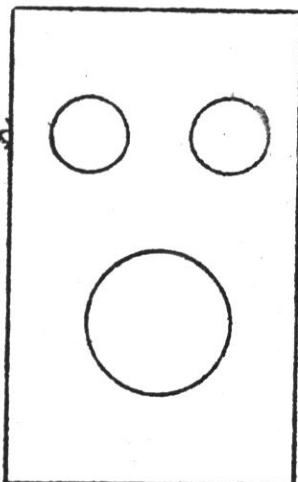


Tape
Return
(SP jack)

Echo
Return
(SP jack)

Output
(Male XLR)

Echo/Cue/Regulator.

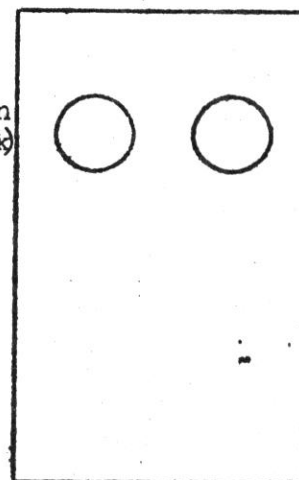


Cue
(SP jack)

Echo
(SP jack)

21V Supply
+ to L
- to N
(Bulgin 3 pin)

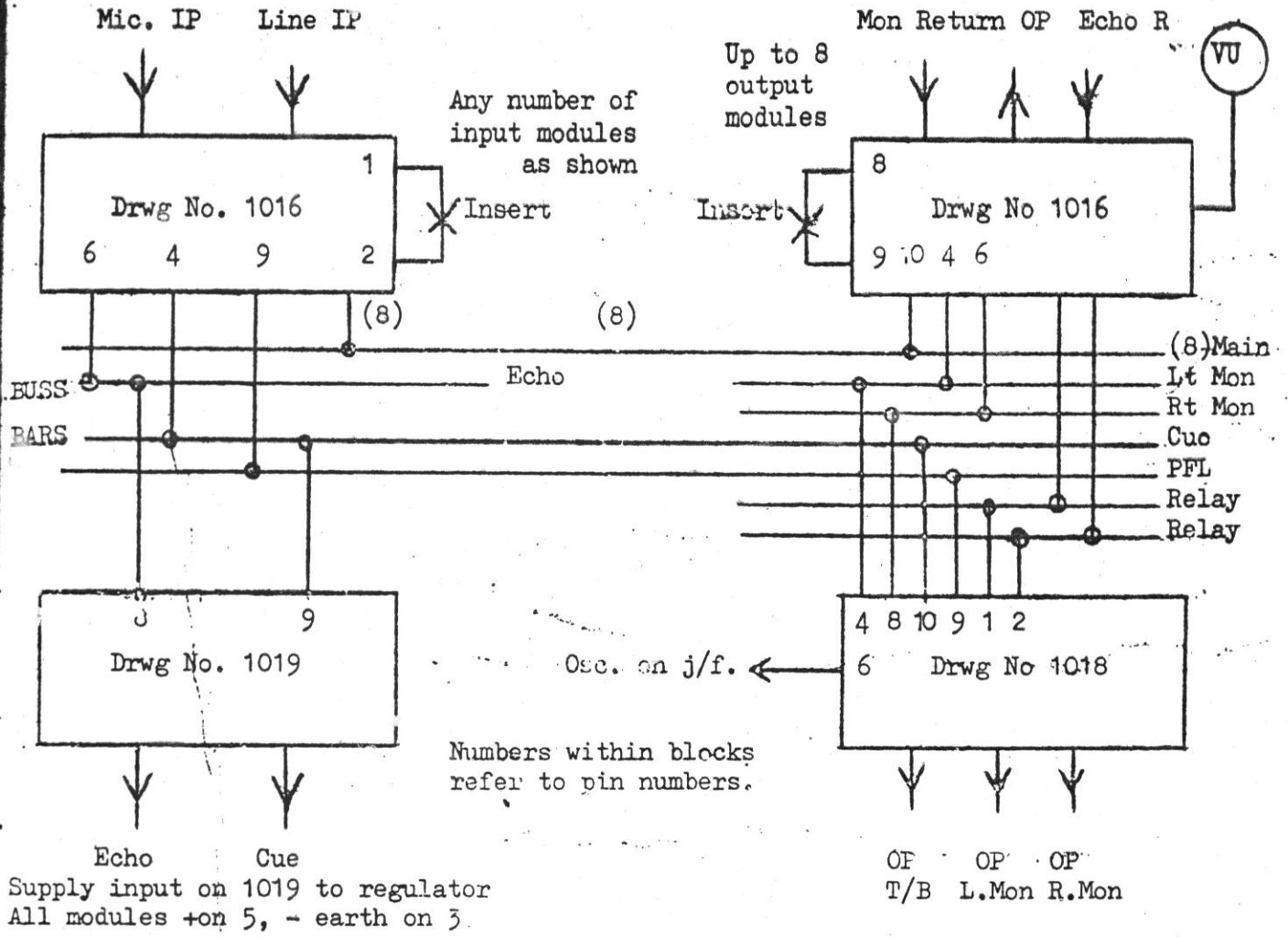
Mon/TB/Osc.



Lt. & Rt Mon
(Stereo jack)

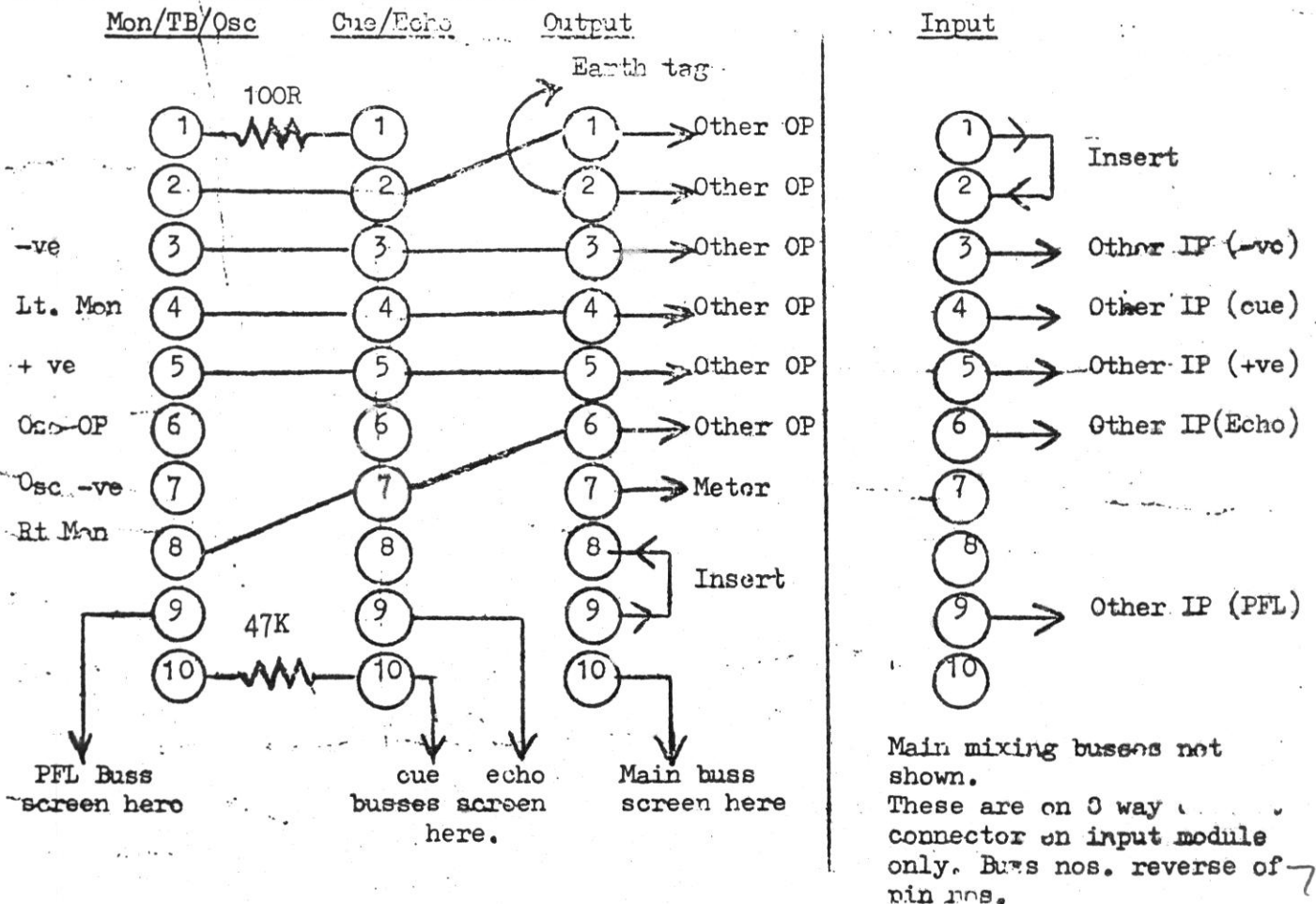
T/B
(SP jack)

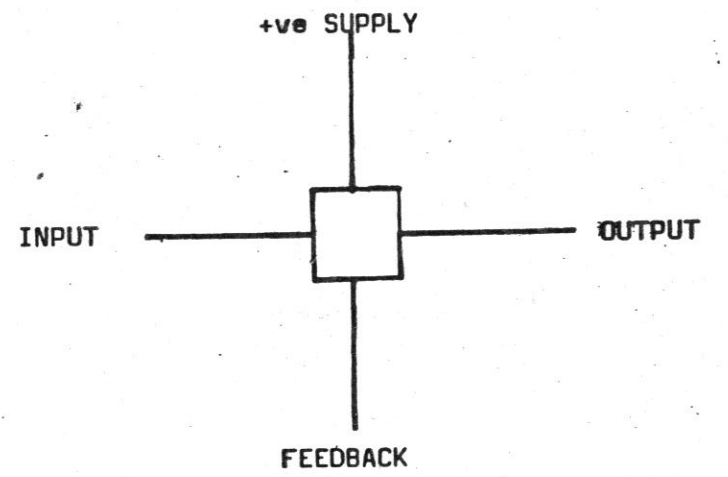
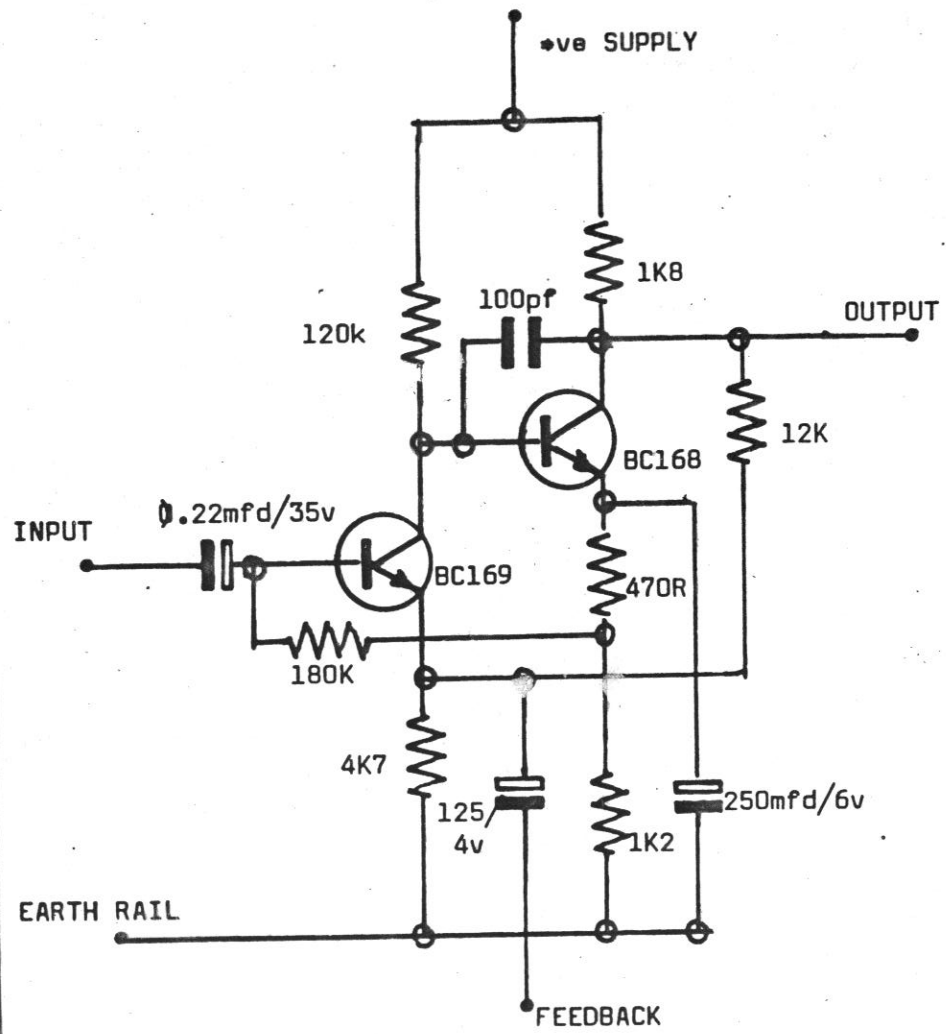
MODULAR MIXER BLOCK LAYOUT.



STANDARD CONNECTIONS ON MODULAR MIXER.

Viewed from rear of mixer.





In all drawings the MA1 circuit is represented by the square shown above, with four connections always in the same sense. EARTH connection not shown.

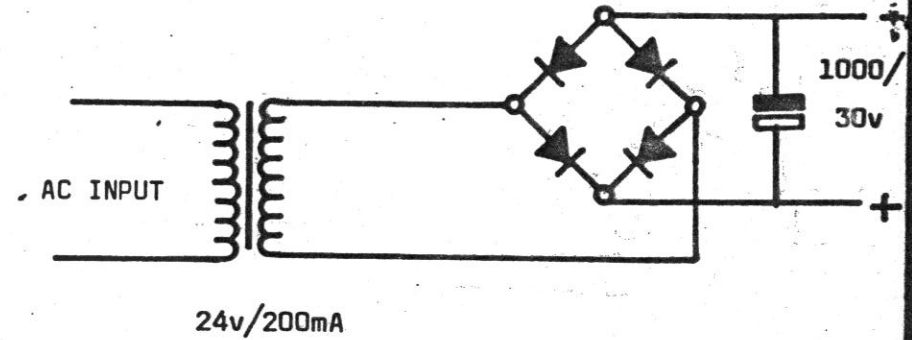
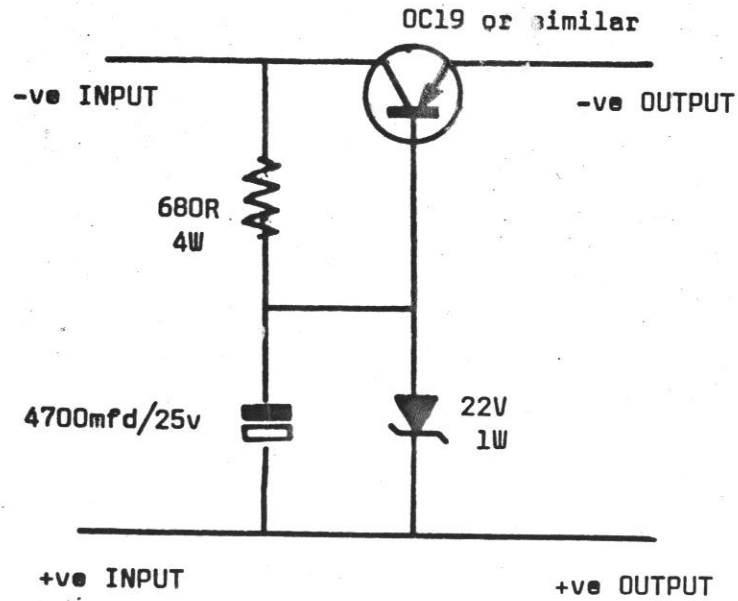
Allen and Heath Limited.

Pembroke House, Campsbourne Road.
London. N8, 7BR. Tel: 01-340-3291.

MICROPHONE AMPLIFIER MA1

Drwg. No.; 1001

NOTE For constant current supply eg miniature mixer
 replace 680R with 1k2 and zener with 5k6 resistors
 Supply with transformer 240v/24v, 200mA will provide
 20v on output



NOTE For use with NPN Transistors reverse zener,
 capacitor and polarity of supply voltage

Allen and Heath Limited.

Pembroke House, Campsbourne Road.

London. N8, 7BR. Tel: 01-340-3291.

VOLTAGE REGULATOR

Drawg No. 1002

A. J. Baya
 4. 8. 73