

ALLEN & HEATH



WARNING – HIGH VOLTAGES

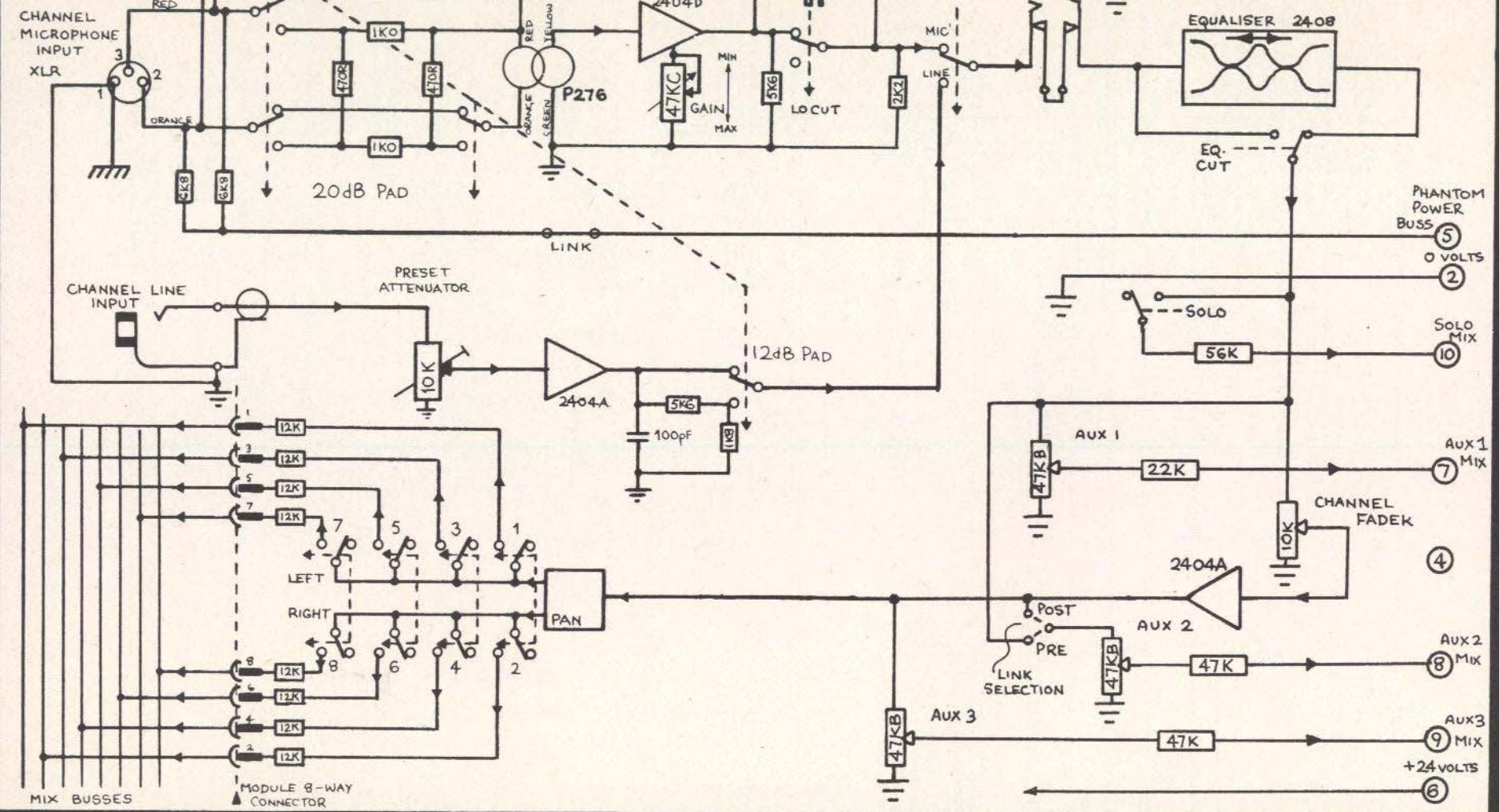
Power Supply Unit (PSU) work should only be carried out by qualified personnel.

We recommend that you use an approved Allen & Heath service centre for all power supply work.

Please contact your local Allen & Heath distributor for more details.

<http://www.allen-heath.com/>

TO CHASSIS
MULTWAY SKT.
(SR VERSION ONLY)



Allen and Heath Limited.

Pembroke House, Campsbourne Road.
London. N8, 7BR. Tel: 01-340-3291.

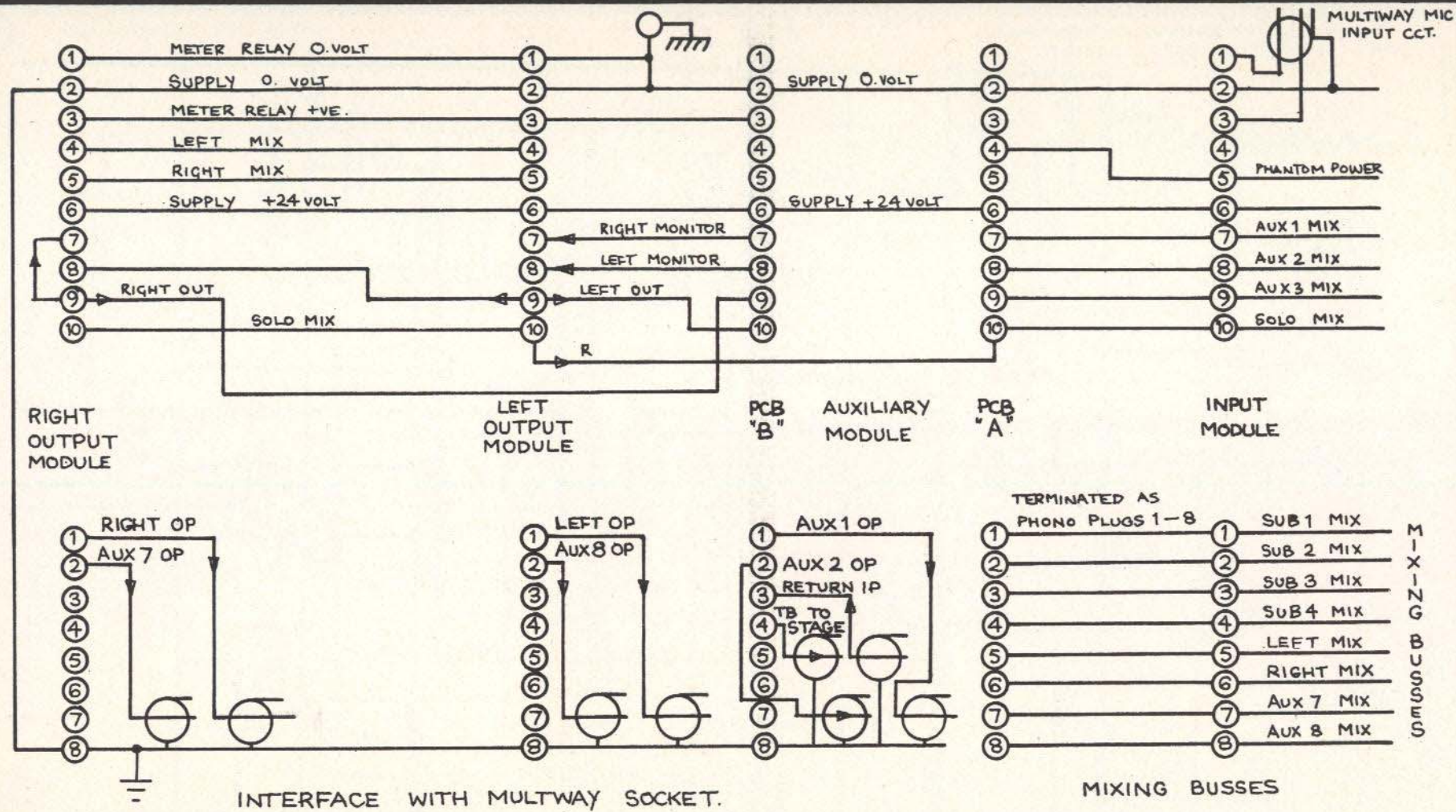
MOD 3 / SR SERIES INPUT CHANNEL

○ — EDGE CONNECTOR PIN NOS.

DRAWING NUMBER

2410

REV. 15.12.79.



Allen and Heath Limited.

Pembroke House, Campsbourne Road.
London. N8, 7BR. Tel: 01-340-3291.

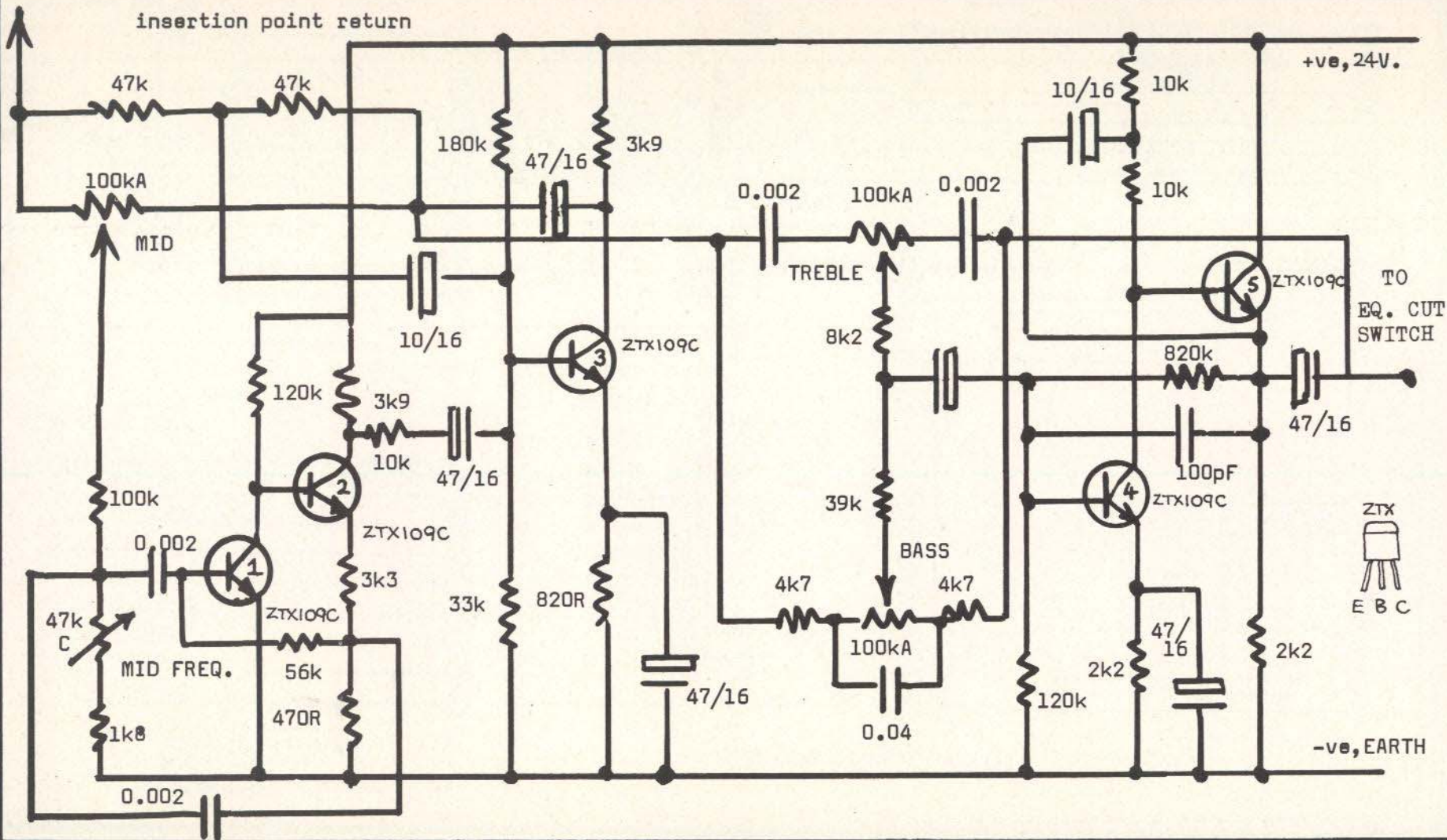
SR SERIES: CHASSIS EDGE CONNECTOR WIRING.

VIEW WITH BASE COVER REMOVED.

DRAWING NUMBER:

3103

1978



Allen and Heath Limited.

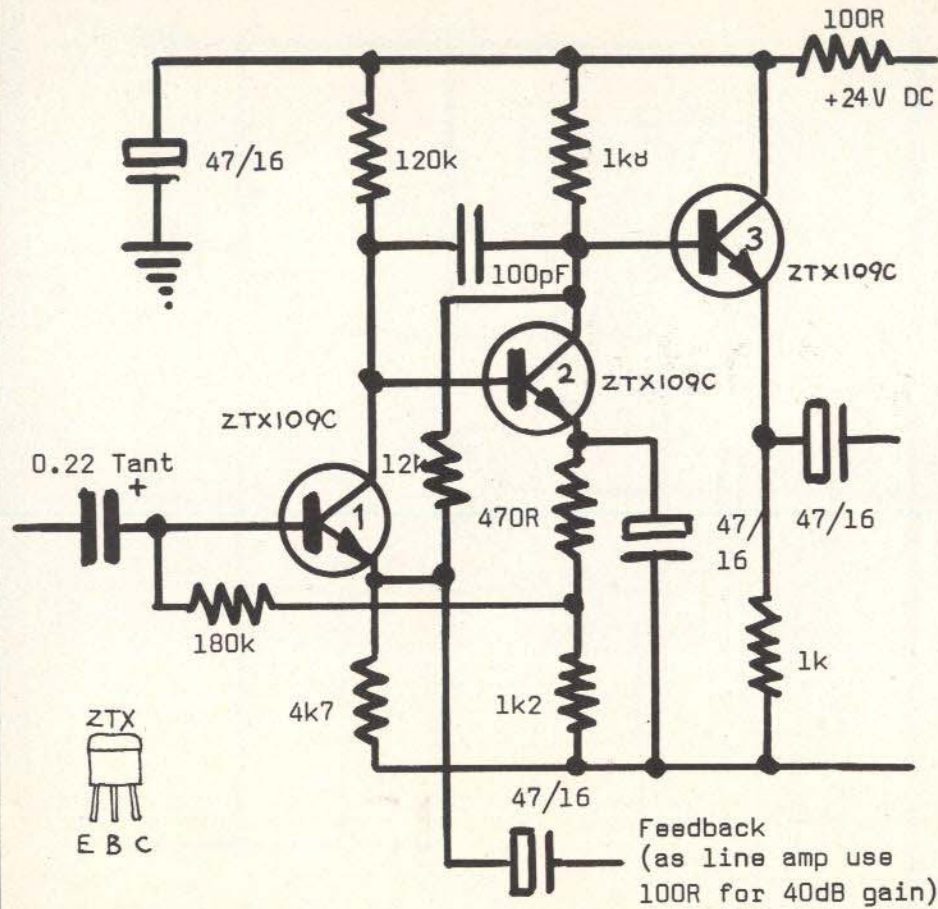
Pembroke House, Campsbourne Road.
London, N8, 7BR. Tel: 01-340-3291.

MOD 3 SR SERIES AMPLIFIERS: EQUALISER

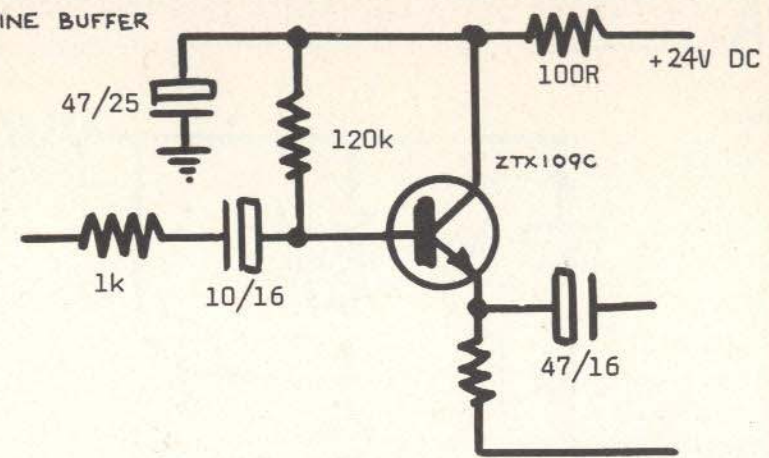
Capacitors are all shown as mFd./wV.

Drq.No. 2408

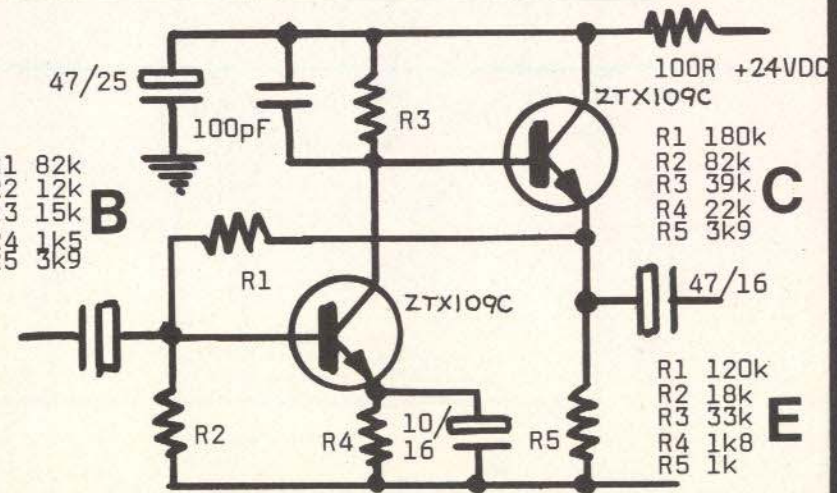
15.12.78.

DMICROPHONE PRE-AMP.
AUX 2,3 OUTPUT AMP.**A**

LINE BUFFER



R1 82k
R2 12k
R3 15k
R4 1k5
R5 3k9

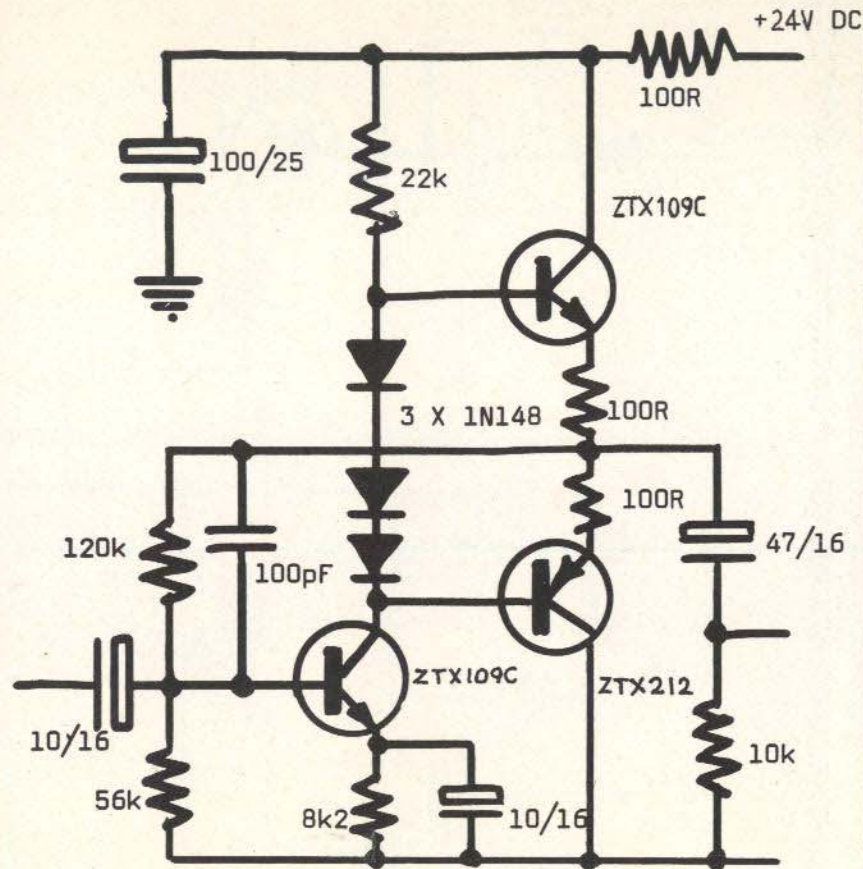
B**C****E****Allen and Heath Limited.**Pembroke House, Campsbourne Road.
London. N8, 7BR. Tel: 01-340-3291.

MOD 3 SR SERIES AMPLIFIERS

All capacitors are shown as Capacitance/WV

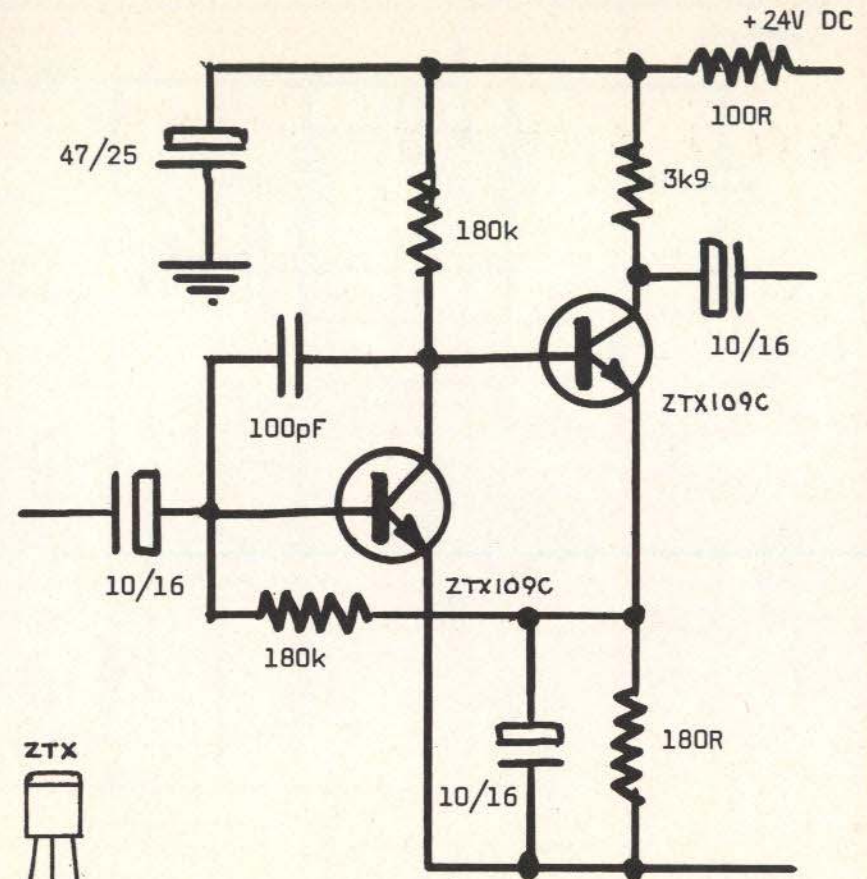
Drwg. No 2404A-E
15.12.78

A



AUX 1 OUTPUT AMP.

B



TALKBACK MIC PRE-AMP

Allen and Heath Limited.

Pembroke House, Campsbourne Road.

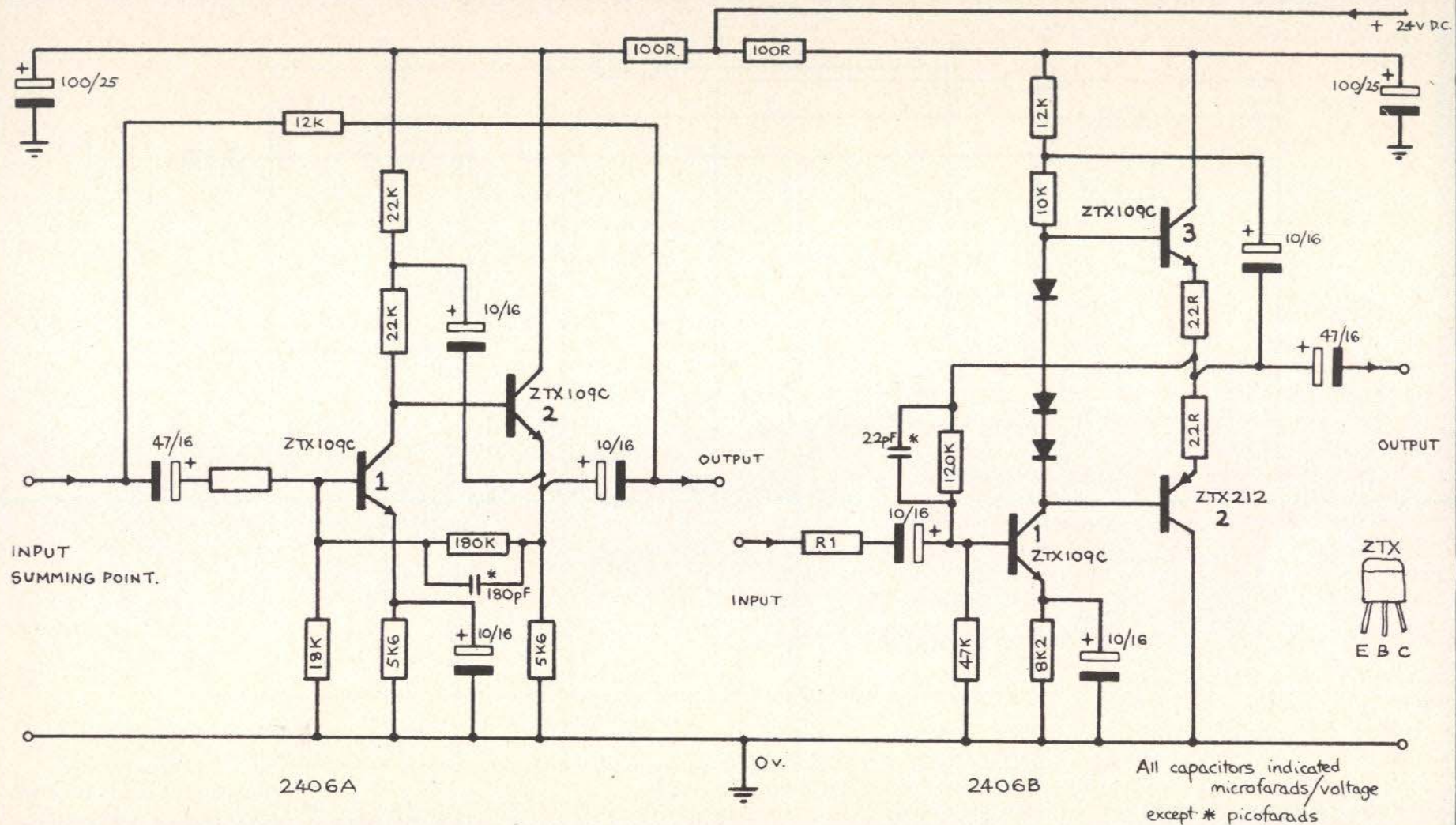
London. N8, 7BR. Tel: 01-340-3291.

MOD 3/SR SERIES AMPLIFIERS

All capacitors are shown as Capacitance/WV

Drwg. No. 2405A/B

15.12.79.



Allen and Heath Limited.

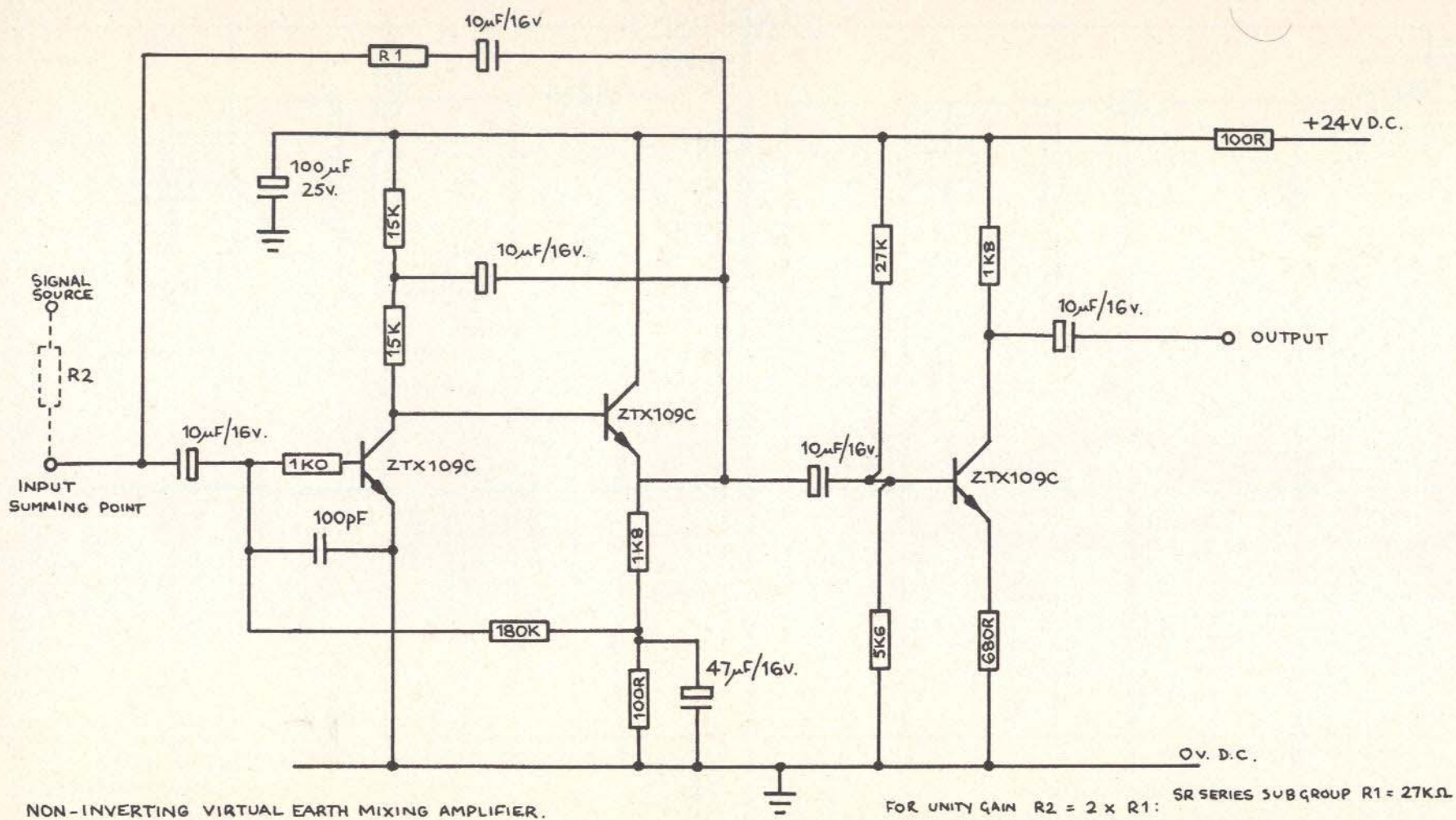
Pembroke House, Campsbourne Road.
London. N8, 7BR. Tel: 01-340-3291.

MOD 3 AMPLIFIERS : SR SERIES

MIX AMP 2406A
LINE AMP 2406B

R1 VALUES: MOD 3 OUTPUT = 18KΩ
SR SERIES LEFT } = 120KΩ
RIGHT }

DRAWN	12.12.75 R
CHECKED	12.12.75 R



Allen and Heath Limited.

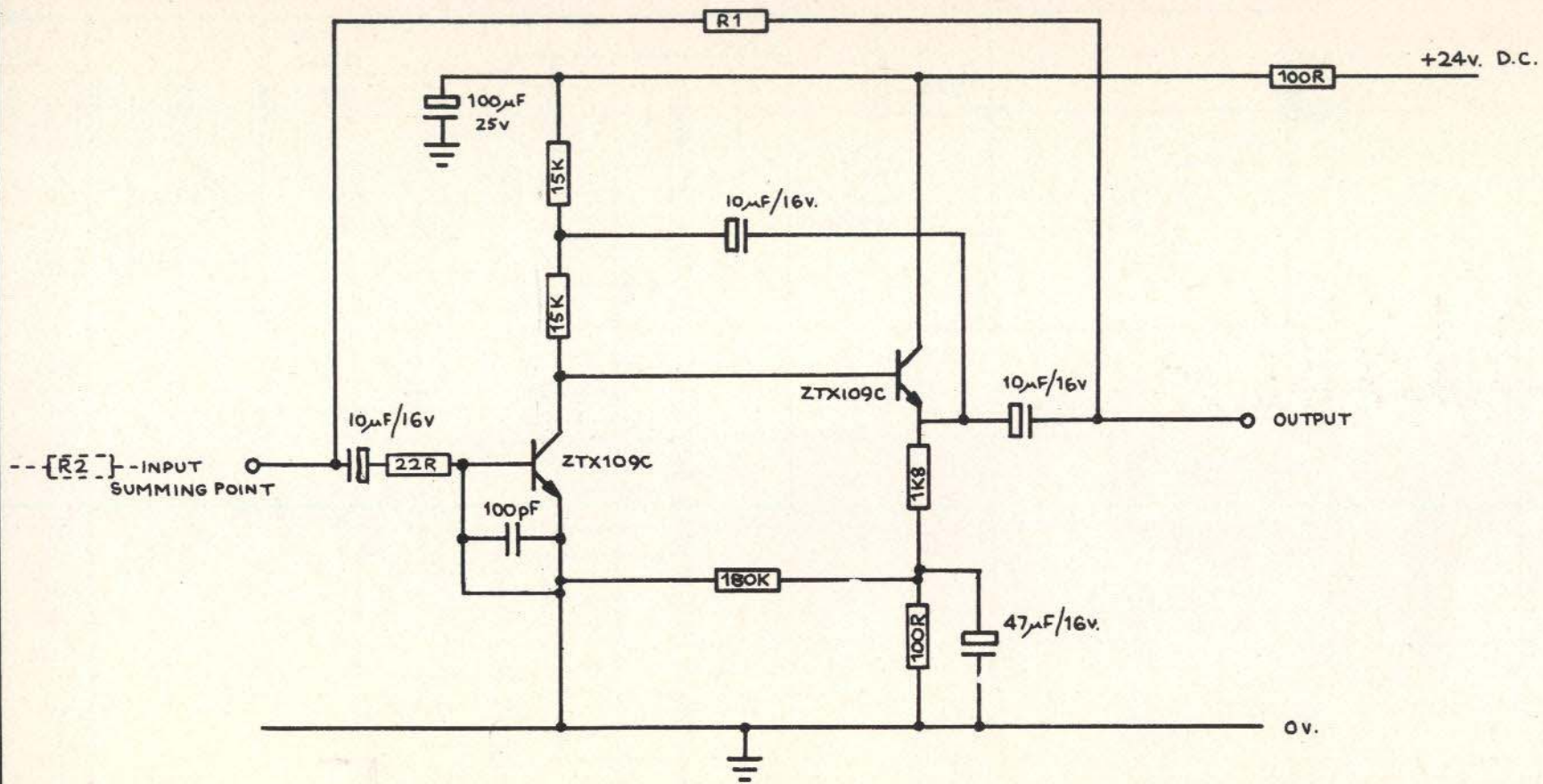
Pembroke House, Campsbourne Road.
London. N8, 7BR. Tel: 01-340-3291.

SR SERIES: AMPLIFIERS

DRAWING NUMBER

3406

R 15.12.78.



SR SERIES SOLO MIX AMP $R1 = 56K\Omega$.

INVERTING VIRTUAL EARTH MIXING AMPLIFIER: FOR UNITY GAIN $R1 = R2$.

Allen and Heath Limited.

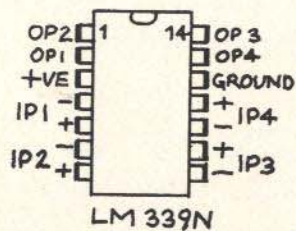
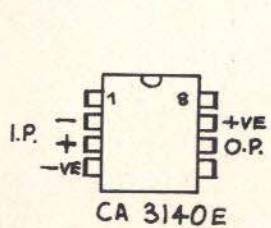
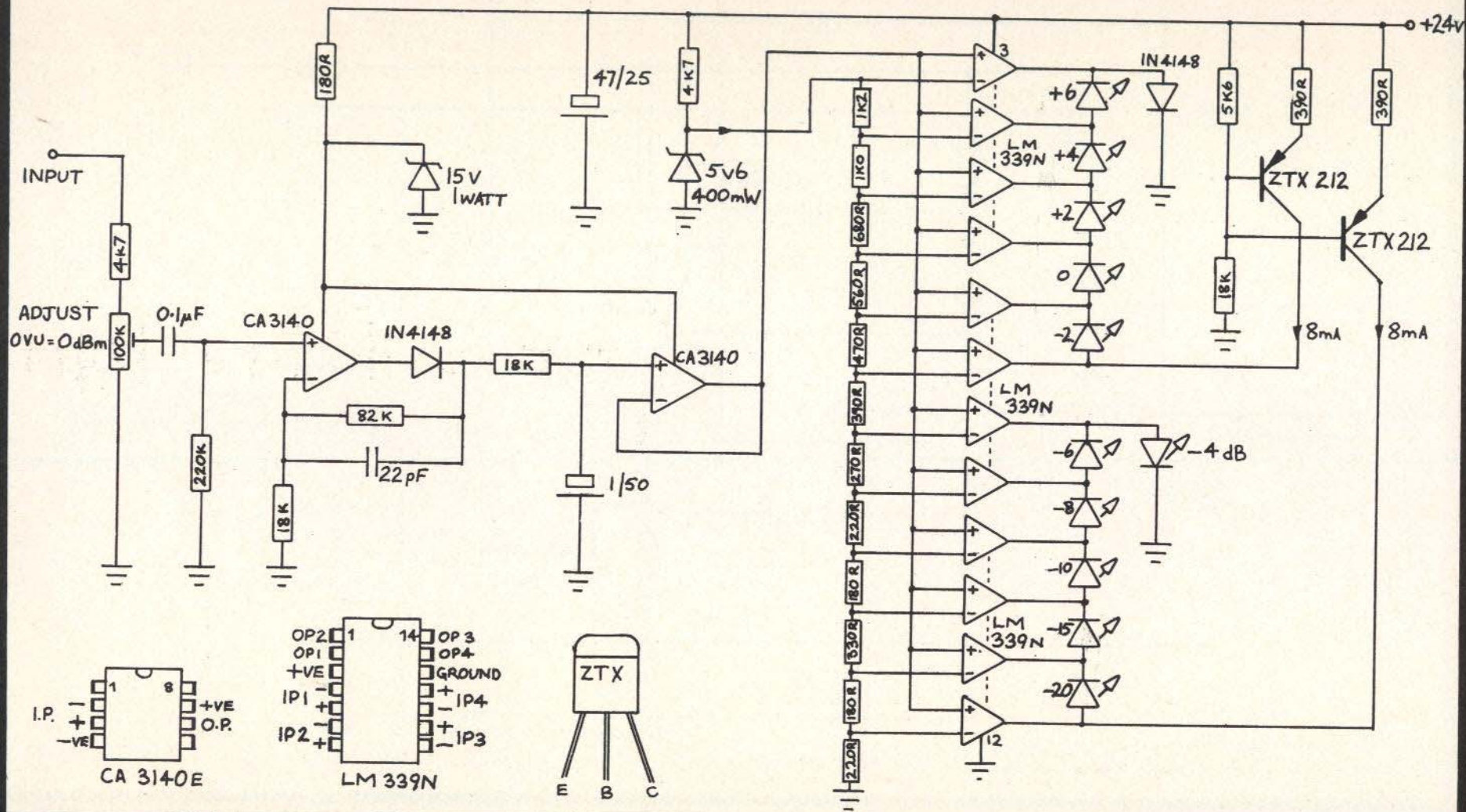
Pembroke House, Campsbourne Road.
London. N8, 7BR. Tel: 01-340-3291.

MOD 3/SR SERIES: AMPLIFIERS

DRAWING NUMBER

3104

15.12.78.



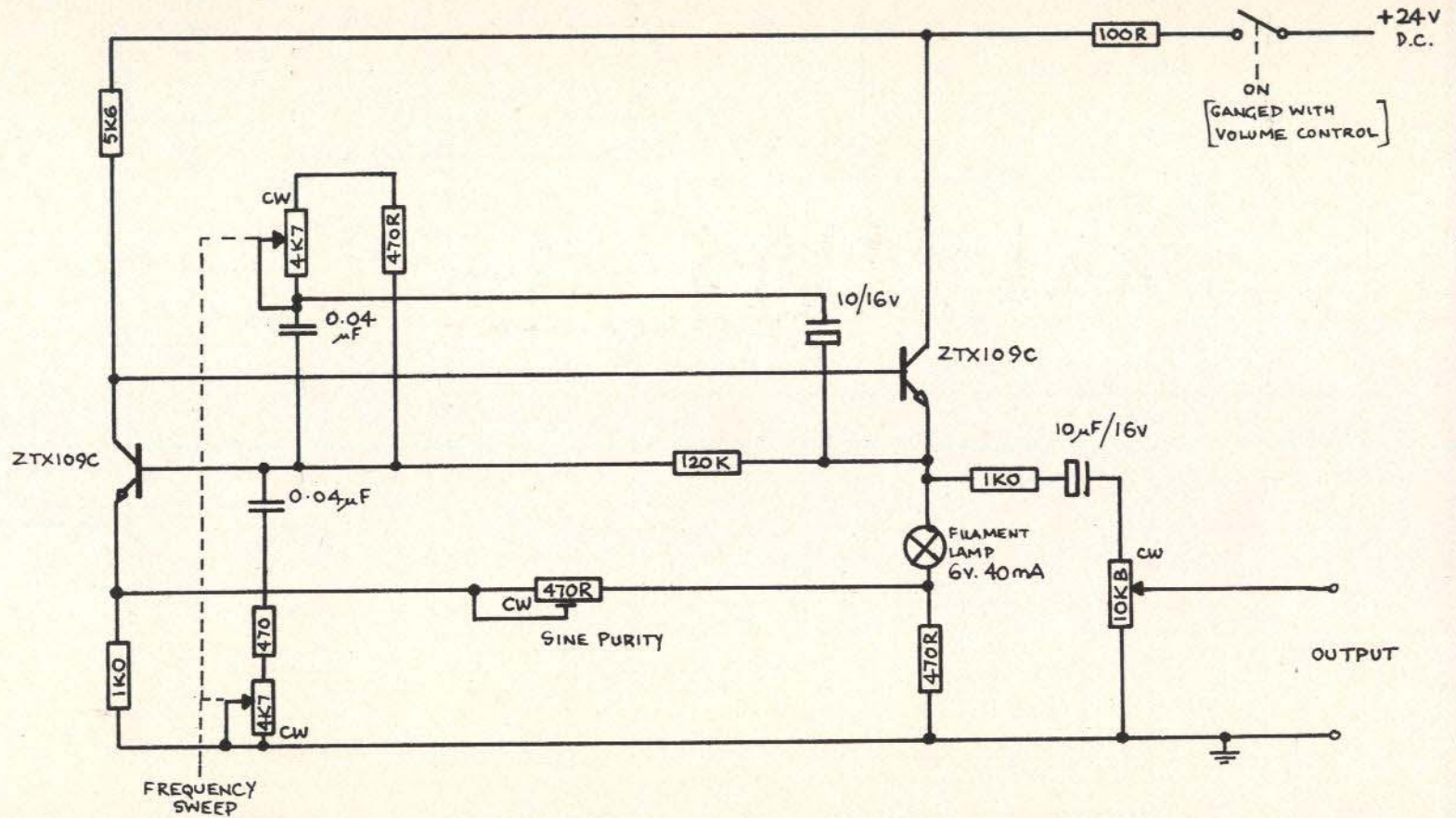
Allen and Heath Limited.

Pembroke House, Campsbourne Road.
London. N8, 7BR. Tel: 01-340-3291.

SR SERIES : 11 SEGMENT LED. METER

DRAWING No.
3102

DRAWN	4.1.79 /AA
CHECKED	5.1.78



Allen and Heath Limited.

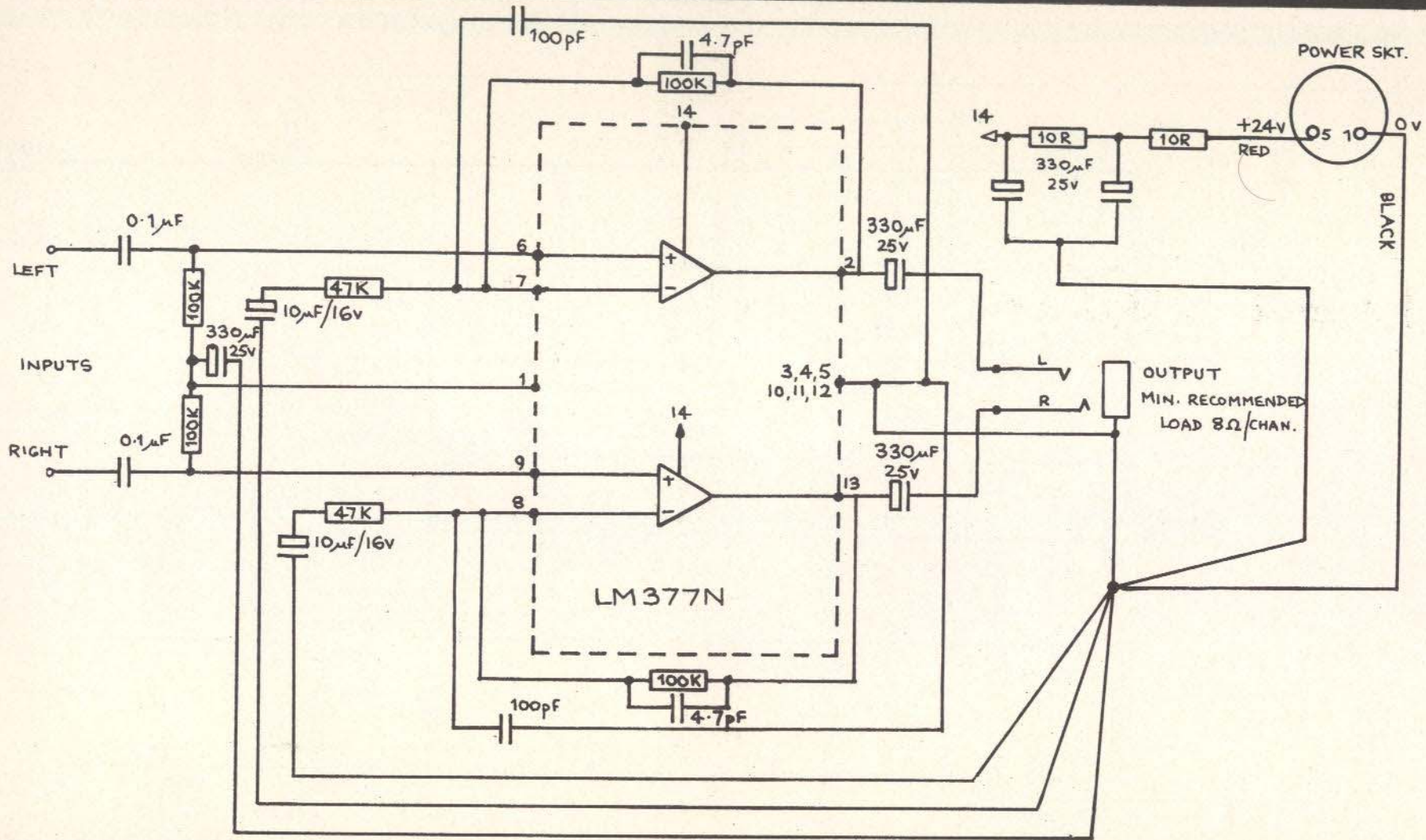
Pembroke House, Campsbourne Road.
London. N8, 7BR. Tel: 01-340-3291.

MOD 3/SR SERIES: OSCILLATOR

DRAWING No.

24-16.

15.12.78



Allen and Heath Limited.

Pembroke House, Campsbourne Road.
London. N8, 7BR. Tel: 01-340-3291.

MOD 3 SR SERIES: HEADPHONE AMPLIFIER

DRAWING NUMBER

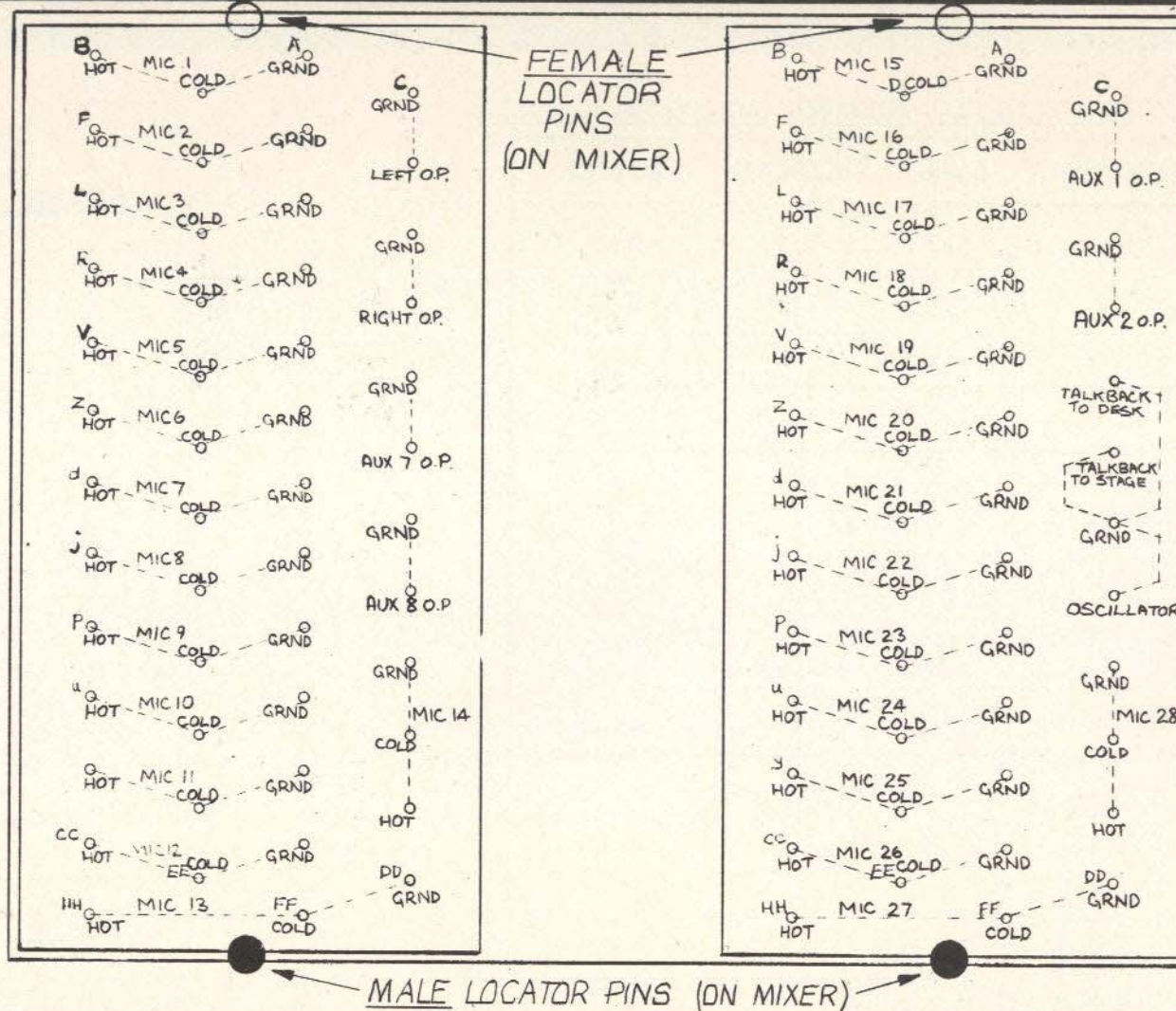
2417

15.12.78.

MALE CONNECTOR
ON MIXER, VIEWED
EXTERNALLY.

OMIT MIC'S 21
TO 28 (INCL)
FOR SR20.
LEAVE AS SPARE
PINS.

FRONT OF MIXER
(FADER END)



REAR OF
MIXER

Allen and Heath Limited.

Pembroke House, Campsbourne Road.
London. N8, 7BR. Tel: 01-340-3291.

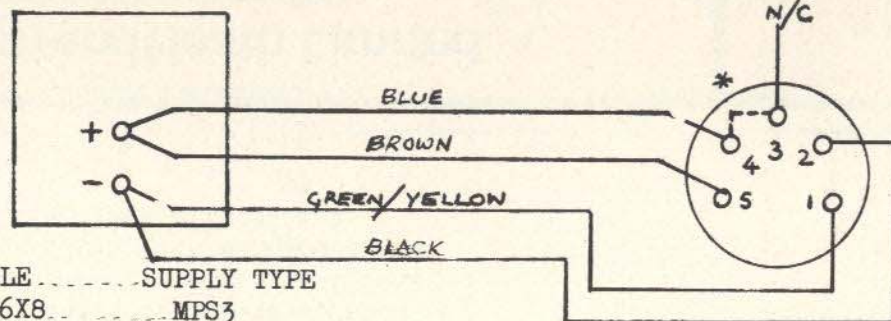
MULTIWAY SOCKET WIRING SR 28/20

DRAWING NUMBER:
3105

UPDATED 3.8.79

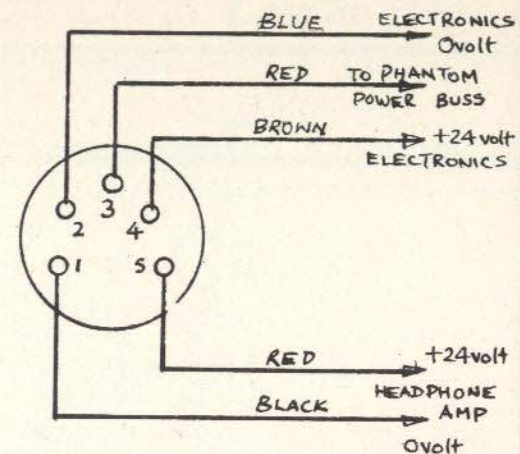
MA 23/8/78

Power supply



CONSOLE	SUPPLY TYPE
Mod 3 16X8	MPS3
SR 20	MPS3
Mod 3 24X8	NS303
SR 28	NS303

Panel socket



CAUTION: PHANTOM POWERING puts D.C. voltage on microphone input XLR pins 2 and 3. A short circuit between either pin and ground (pin 1, cable screens and mixer chassis) will result in severe distortion and possible damage to the microphone input transformer in the input module.

When phantom power is in use only balanced cables and microphones must be connected to the microphone inputs.

* All MOD 3 consoles are supplied with +24volt phantom power connected internally as standard.

All SR series consoles are supplied with no internal connection of phantom power.

See the separate section "Phantom power circuits" for details on the connection of different voltages and the procedure for disconnection of the internal supply.

* Link now inside 5 pin plug (as diagram)

Allen and Heath Limited.

Pembroke House, Campsbourne Road.
London. N8, 7BR. Tel: 01-340-3291.

POWER SUPPLY CONNECTIONS: MOD 3/ SR series.

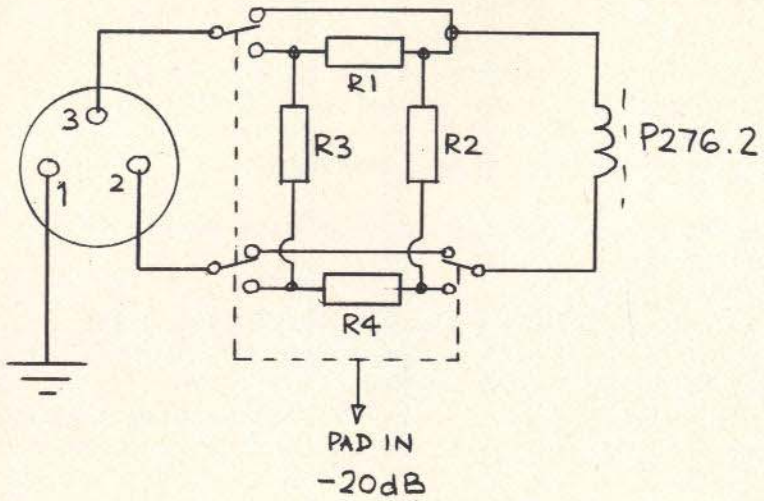
Nov. 1978

MOD III / SR SERIES CONSOLESMICROPHONE PREAMP IMPROVEMENT

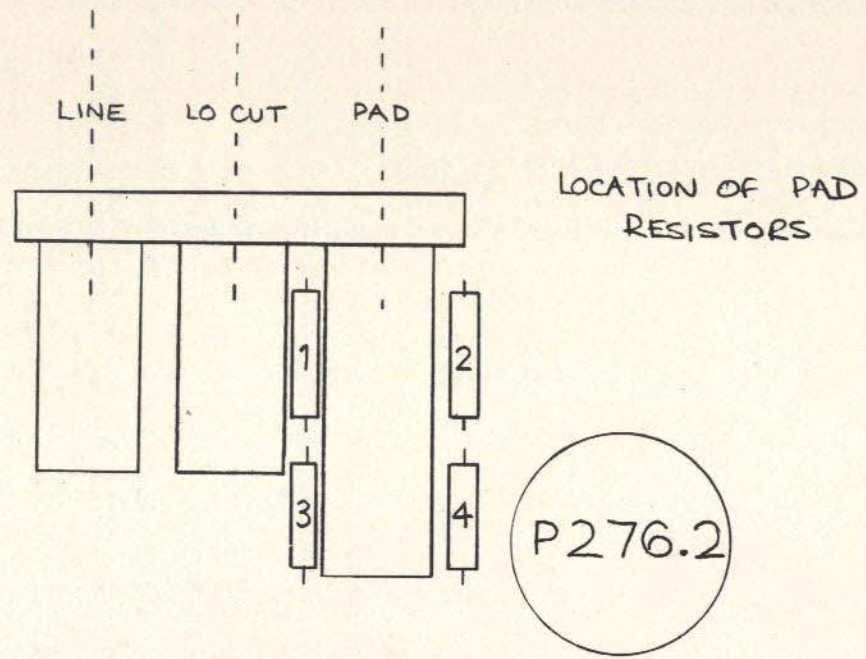
The input transformer on all MOD III/SR channel modules manufactured after August 1st 1979 has been changed from model P276.1 to P276.2.

The higher input impedance offered by this transformer gives improved loading characteristics and enables microphones to be fed to split distribution system such as those encountered in sound reinforcement applications where a monitor mixer may be paralleled to the SR mixer inputs to provide an independent foldback mix. In studio applications the higher impedance of 1K ohm produces a more uniform frequency response which is unaffected by the 20 dB switchable pad. The resistor values of the pad have been changed to match the new transformer. If the new transformer is retrofitted to a channel the pad resistors should be changed to the values shown overleaf.

Another major advantage of the new transformer is improved low frequency headroom which reduces harmonic distortion at 0 dBm input (pad in) to less than 0.25% at 50 Hz.



MIC PAD CCT. TO MATCH P276.2



RESISTOR	OLD VALUE P276.1	NEW VALUE P276.2
1	1K Ω	1K5
2	470 Ω	470 Ω
3	470 Ω	1K8
4	1K Ω	1K5

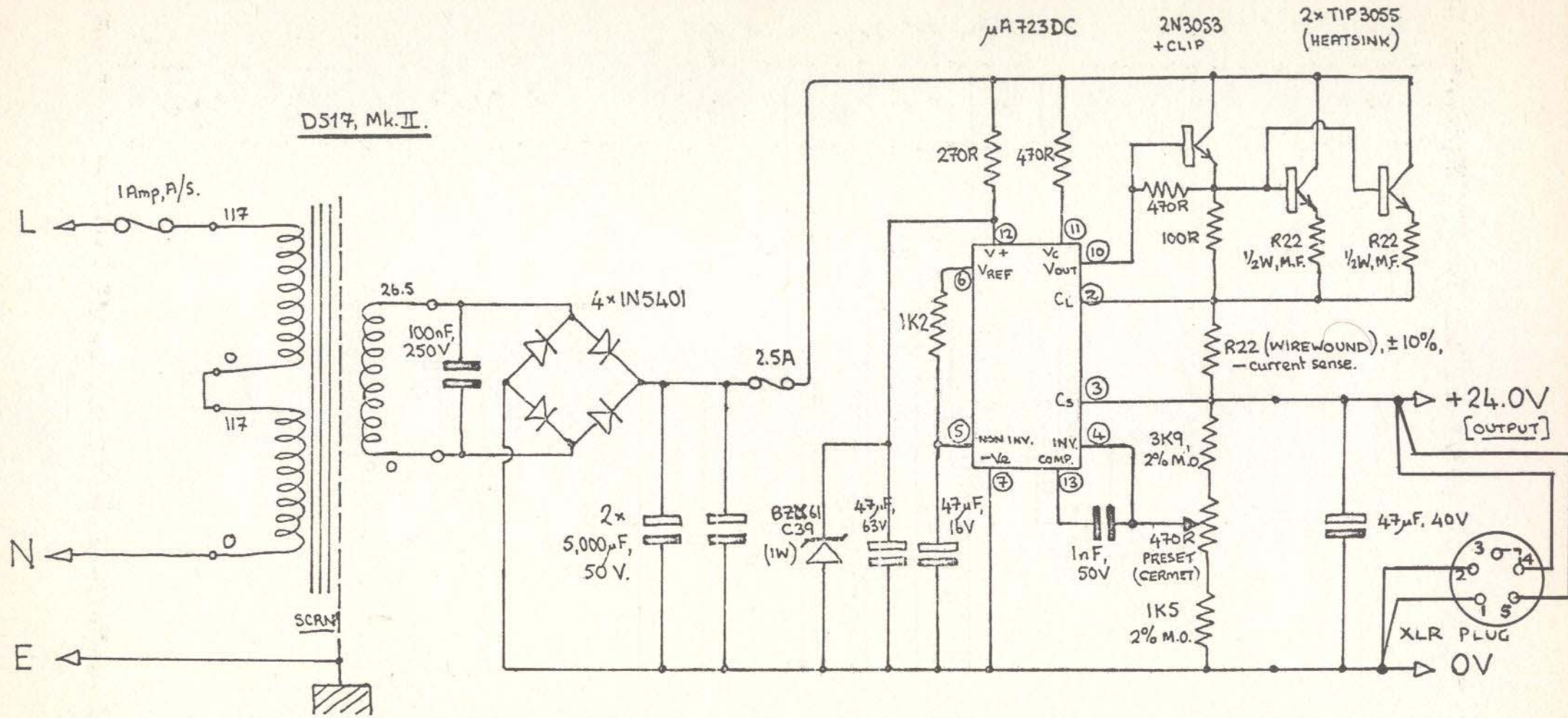
Allen and Heath Limited.

Pembroke House, Campsbourne Road.
London. N8, 7BR. Tel: 01-340-3291.

MOD 3/SR SERIES CHANNEL MIC INPUT MODIFICATION

UNITS MANUFACTURED AFTER JULY 1979

R. 6.79.



AHB MPS3 : 24V 2.5A D.C. REGULATED SUPPLY

All unmarked resistors, 1/4W, 5%, CARBON FILM.

A&R, Issue 1, 11-11-75, J.D.