

ALLEN & HEATH



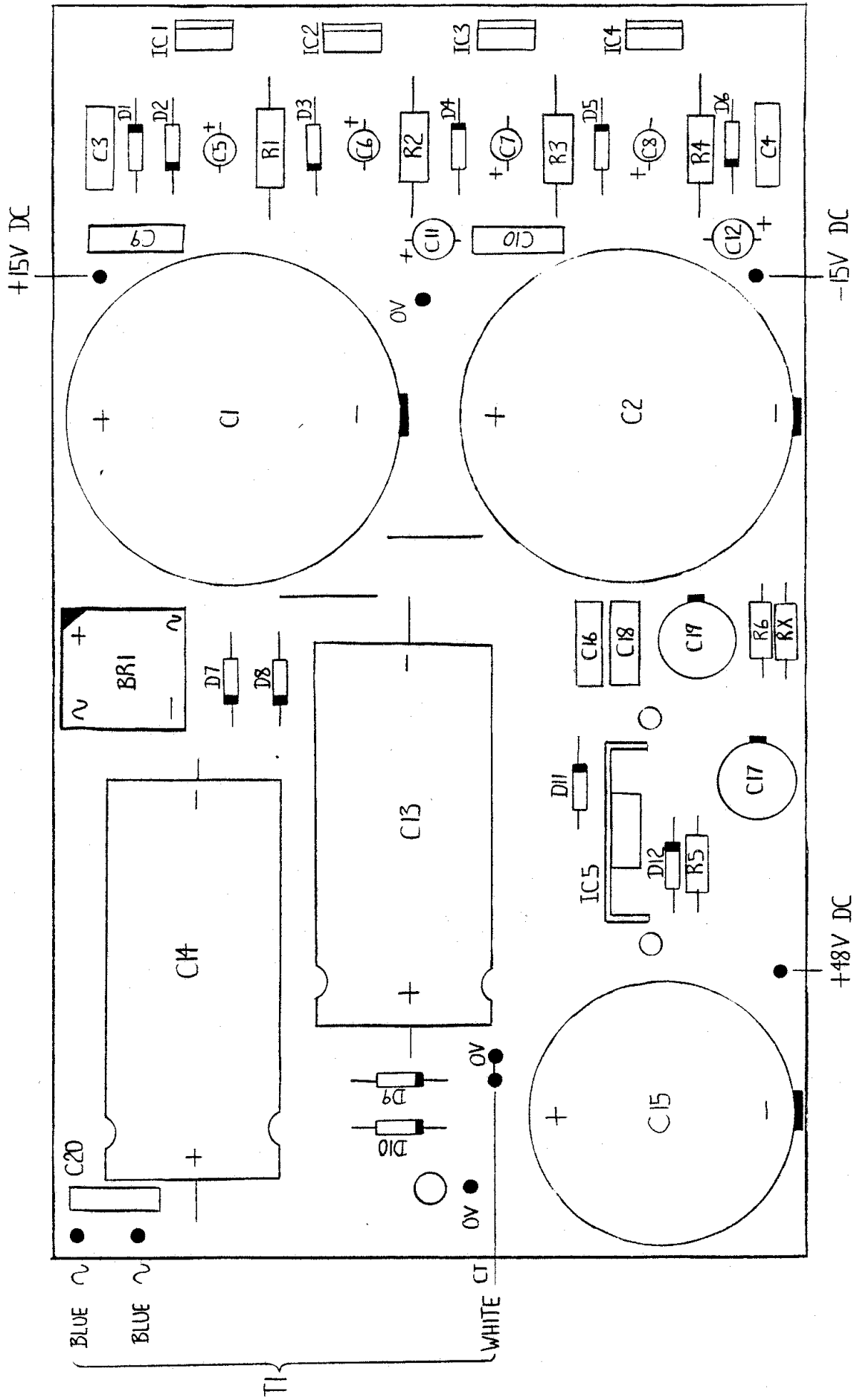
WARNING – HIGH VOLTAGES

Power Supply Unit (PSU) work should only be carried out by qualified personnel.

We recommend that you use an approved Allen & Heath service centre for all power supply work.

Please contact your local Allen & Heath distributor for more details.

<http://www.allen-heath.com/>

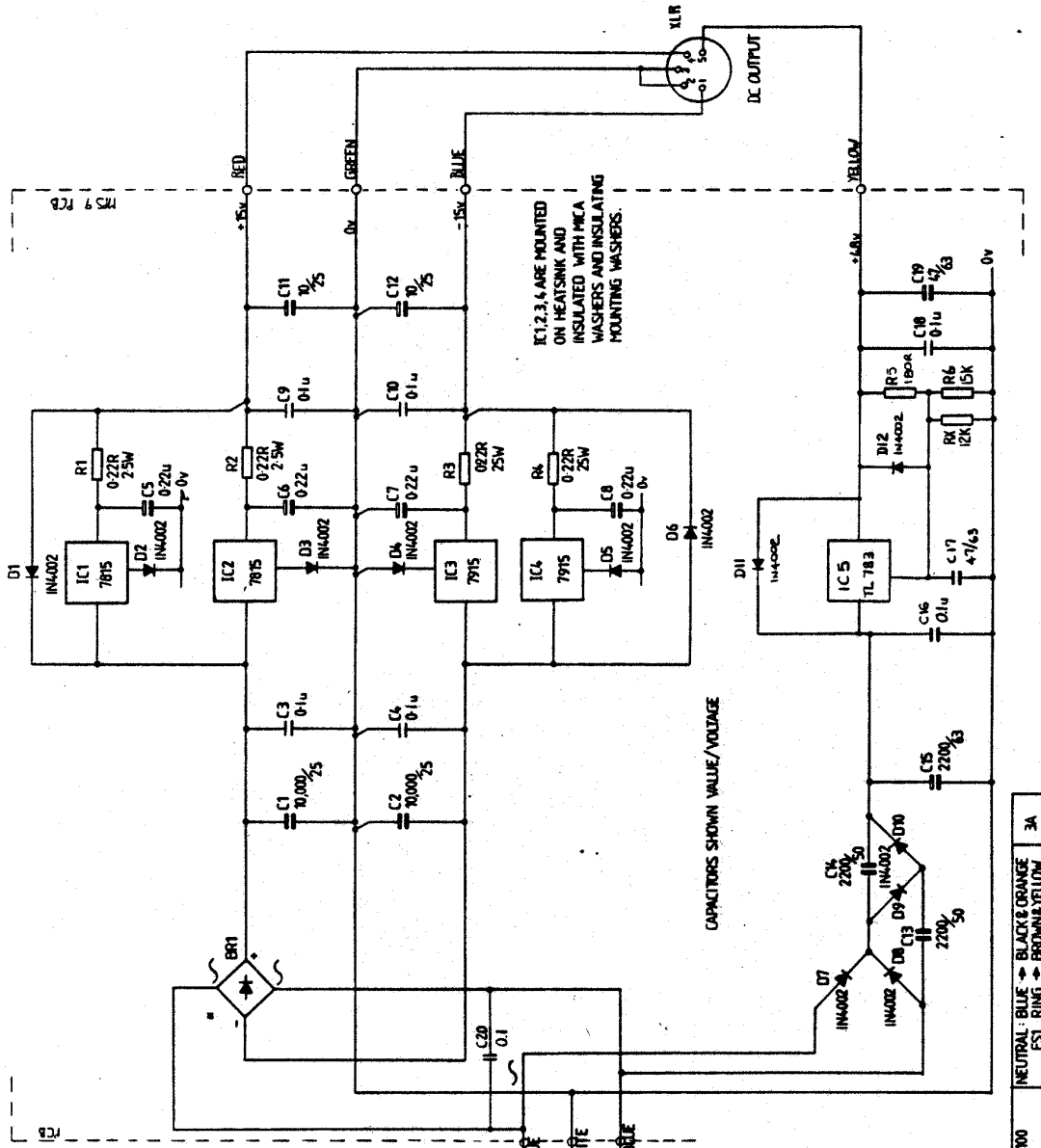


COMPONENT OVERLAY

AG0114 ISSUE 4

MPS9 PCB

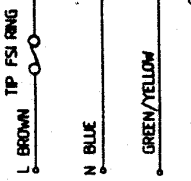
AHB CMC SERIES



IC1,2,3,4 ARE MOUNTED ON HEATSINK AND INSULATED WITH MICA WASHERS AND INSULATING MOUNTING WASHERS.

CAPACITORS SHOWN VALUE/VOLTAGE

- 130 GREY
- 110 VIOLET
- 100 YELLOW
- 0 ORANGE
- 110 RED
- 100 BROWN
- 0 BLACK



A.C. LINE Input voltage	TRANSFORMER WIRING	FUSE rating
240	NEUTRAL: BLUE ↔ BLACK RED ↔ ORANGE FS1 RING ↔ GREY	1A T
220	NEUTRAL: BLUE ↔ BLACK FS1 RING ↔ ORANGE FS1 RING ↔ VIOLET	1A T
110	NEUTRAL: BLUE ↔ BLACK & ORANGE FS1 RING ↔ RED & VIOLET	3A T

100 NEUTRAL: BLUE ↔ BLACK & ORANGE
FS1 RING ↔ BROWN & YELLOW 3A

3	T1 Change	GHR	10/2/85	CNC SERIES	AHB	69 SHIP STREET	DRAWN	TRACED	CHECKED	APPROVED	DATE	SCALE
2	TR1 Change	GHR	12/11/84	P.S.U. MPS 9	BRIGHTON BN1 1AE	RSR	RSR	KRP	GMR/CD		11/10/84	
PCB AG07K ISSUE 4 • BR1 FITTED WITH HEATSINK												
TEL 0273 24928												
DRAWING No. MBD122 iss 4												

ALTERATIONS

DESCRIPTION

DATE

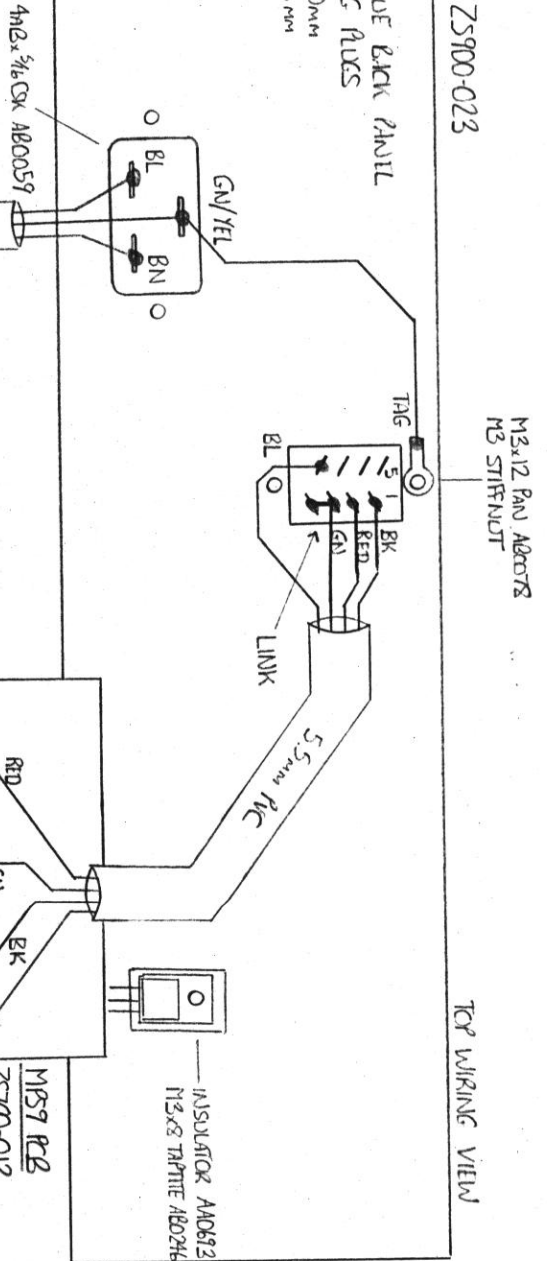
CHK'D BY

DATE

SCALE

REAR PANEL ASSY ZS900-023

NOTE:
FOR EARLY ISSUE BACK PANEL
FIT BLANKING FLUX
AK0313 30mm
AK0215 16mm

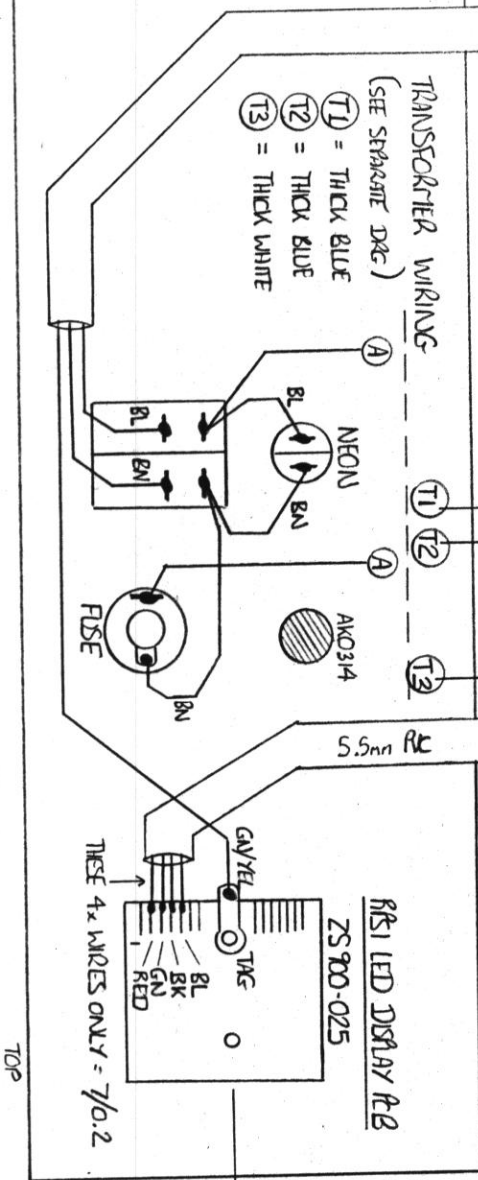


TOP WIRING VIEW

FRONT PANEL ASSY ZS900-024

NOTE:
WRAP & SLEEVE ALL MAINS JOINTS
WITH HELTERMINU RUBBER SERVING

TRANSFORMER WIRING
(SEE SEPARATE DRG)
T1 = THICK BLUE
T2 = THICK BLUE
T3 = THICK WHITE



TOP

WIRE IS 16/0.2 EXCEPT FOR
LED PCB WIRING

COMPLETE ASSY:

RS1 240V ZS900-908

FUSE INSERT 20mm AL03
FUSE 20mm 1A T AL03

RS1 110V ZS900-909

FUSE INSERT 1/4" AL051
FUSE 1/4" 5A T AL054

M3x20 CSK AB00080
M3.65/PEEK AB0137
M3 STIFFNUT AB0102

POWER SUPPLY RPS1

VHB

A.C. input fuse **D.C. output**
 110V 240V
 1.25" 20mm
 3A.T. 1A.T.

+15V
 -15V
 +48V

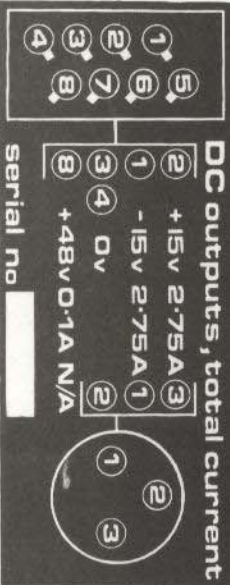
POWER SUPPLY MODEL RPS1

made in England by **VHB**

AC input 50/60Hz. set for V

CAUTION high voltage hazard.
 Disconnect AC supply before
 removing covers.

Fuse on front panel.
 DC ground not connected
 to AC earth.



DC outputs, total current

NOMINAL MAINS INPUT

RANGE

FUSE RATING - TYPE

TERRITORY

240 V.AC	235 - 245 V.AC	1 AT	20x5 mm	U.K.
220 V.AC	210 - 230 V.AC	1 AT	20x5 mm	Europe/Ireland
110 V.AC	105 - 120 V.AC	3 AT	1½x½"	America
100 V.AC	96 - 106 V.AC	3 AT	1¼x¼"	Japan

POWER SUPPLY SERIAL No.

TYPE **MPS 71** -

OUTPUT A + **15** V. DC **2.5** A MAX
 OUTPUT B + **48** V. DC **0.15** A MAX

WARNING HIGH VOLTAGE INSIDE !

MAINS INPUT V. AC ~ 50/60 Hz

FUSE A

AHBLTD, LONDON, ENGLAND