

ALLEN & HEATH LTD.

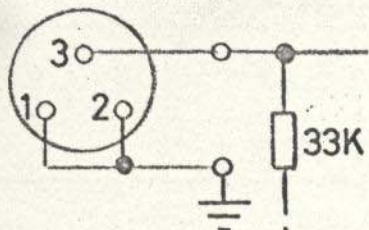
A.D.T. UNIT BLOCK DIAGRAM

No.	DESCRIPTION	ALTERATIONS	DRAWN	TRACED	CHECKED	APPROVED	DATE	SCALE
							21.9.76	

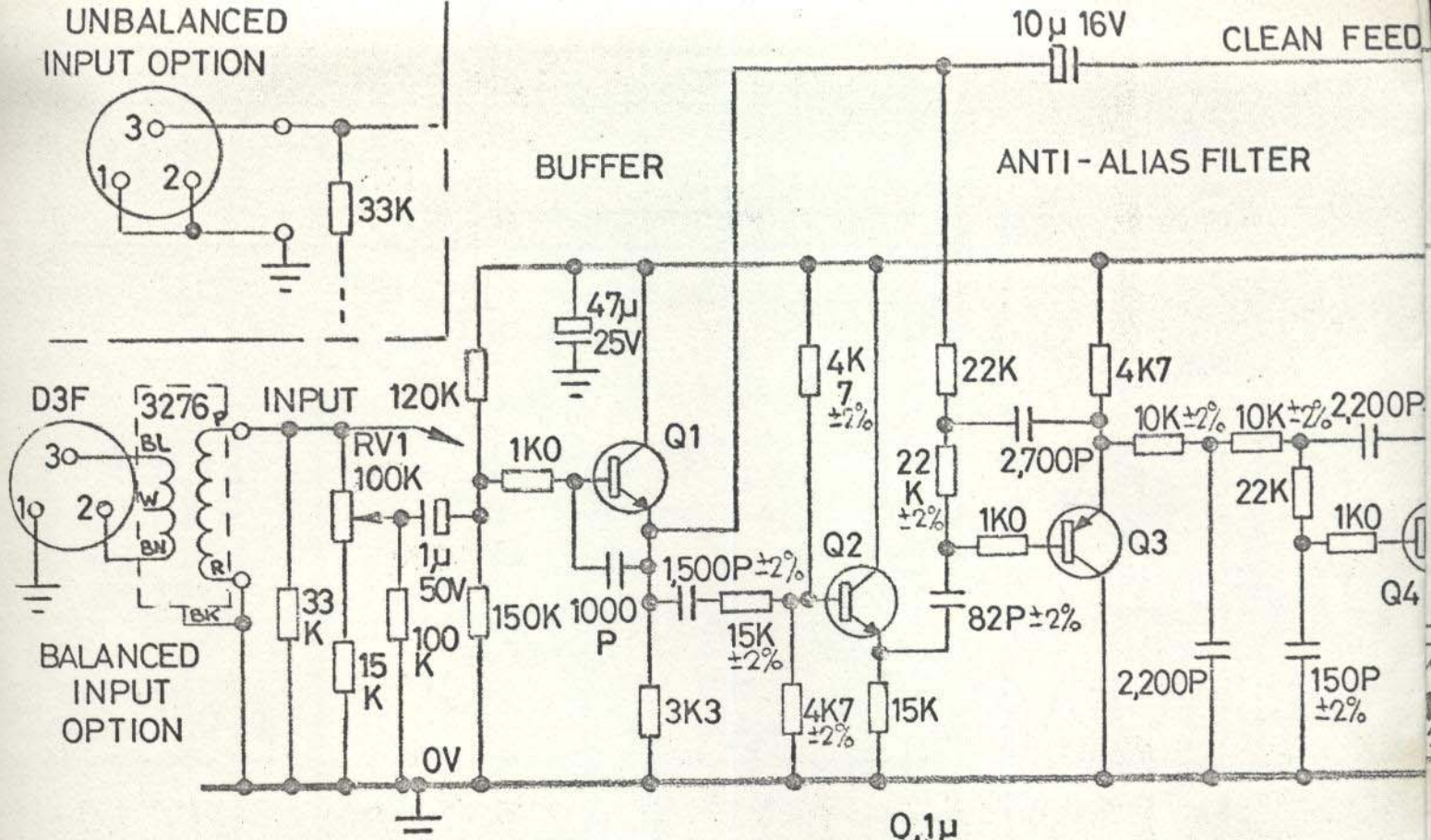
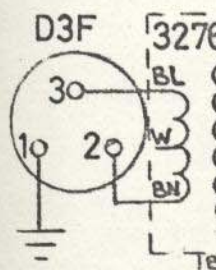
DRAWING No.

A.D.T. UNIT  
BLOCK DIAGRAM

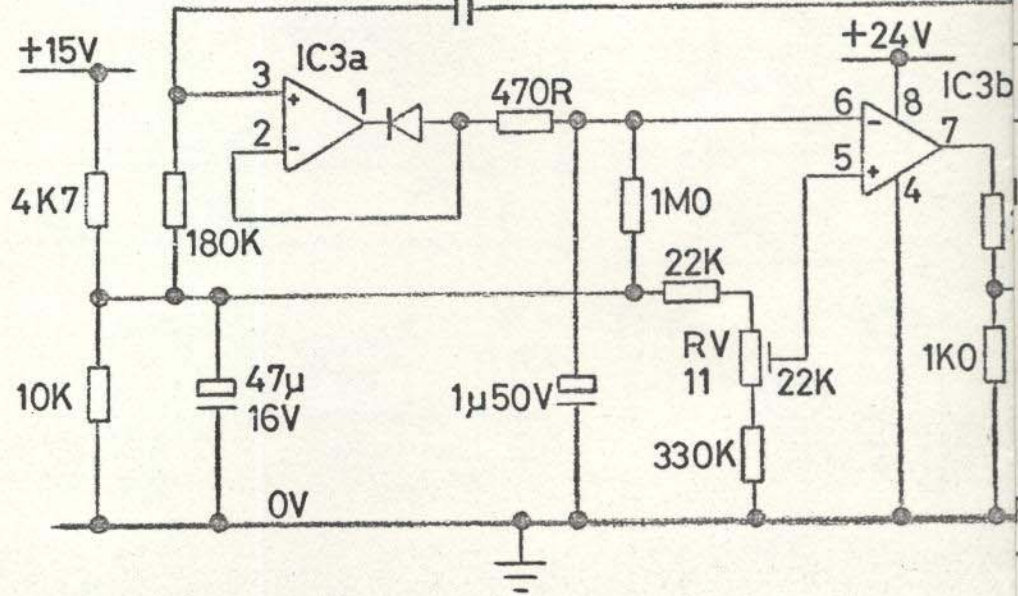
UNBALANCED INPUT OPTION



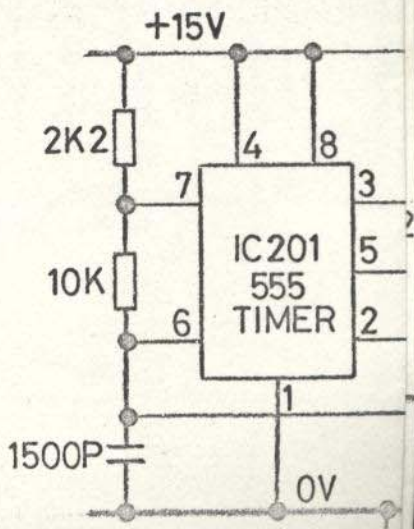
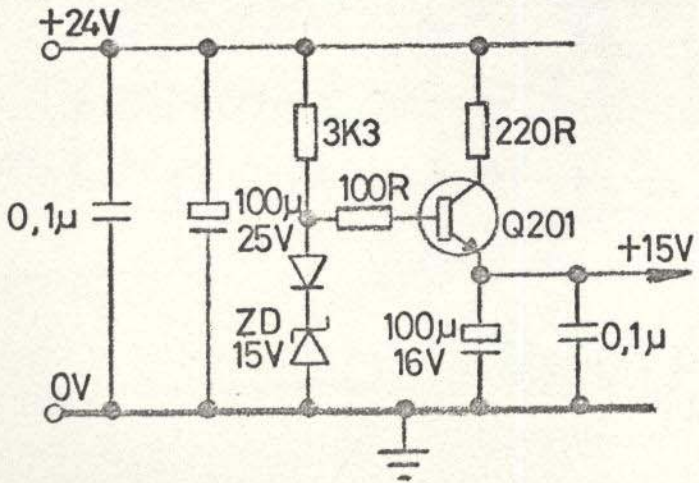
BALANCED INPUT OPTION



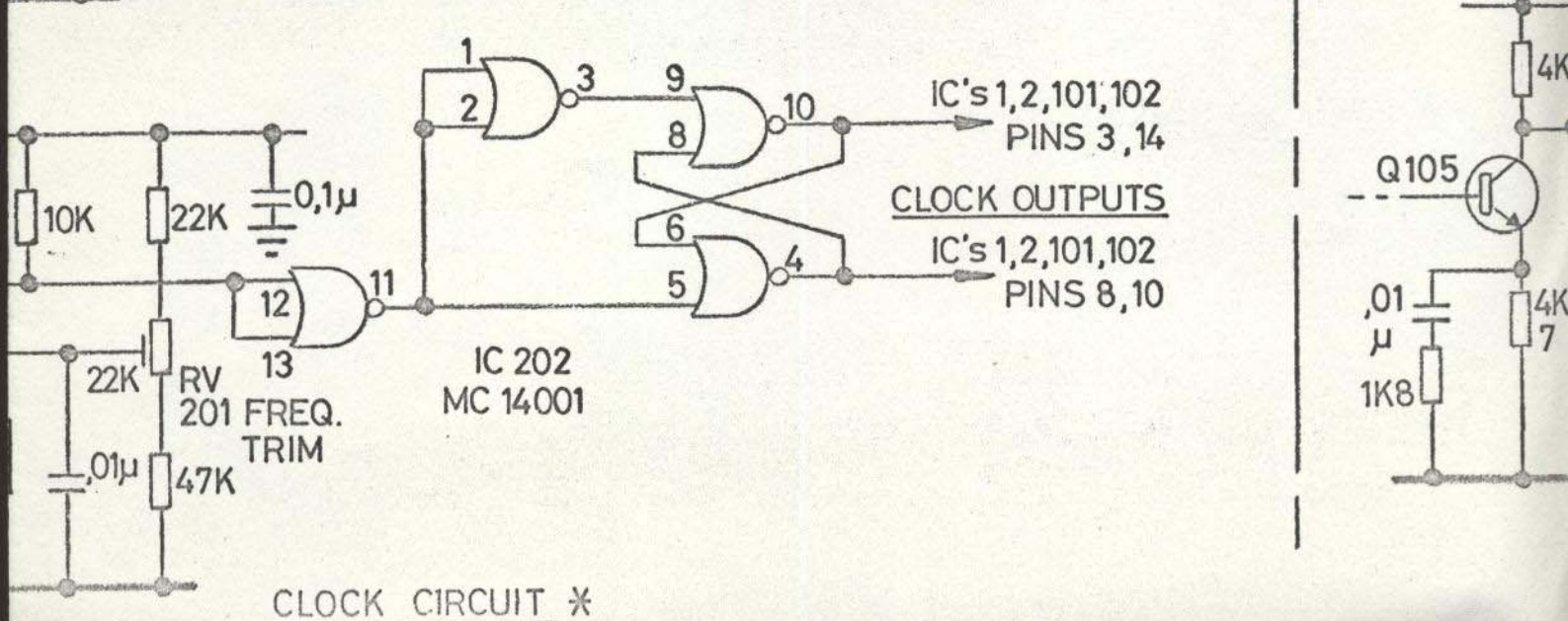
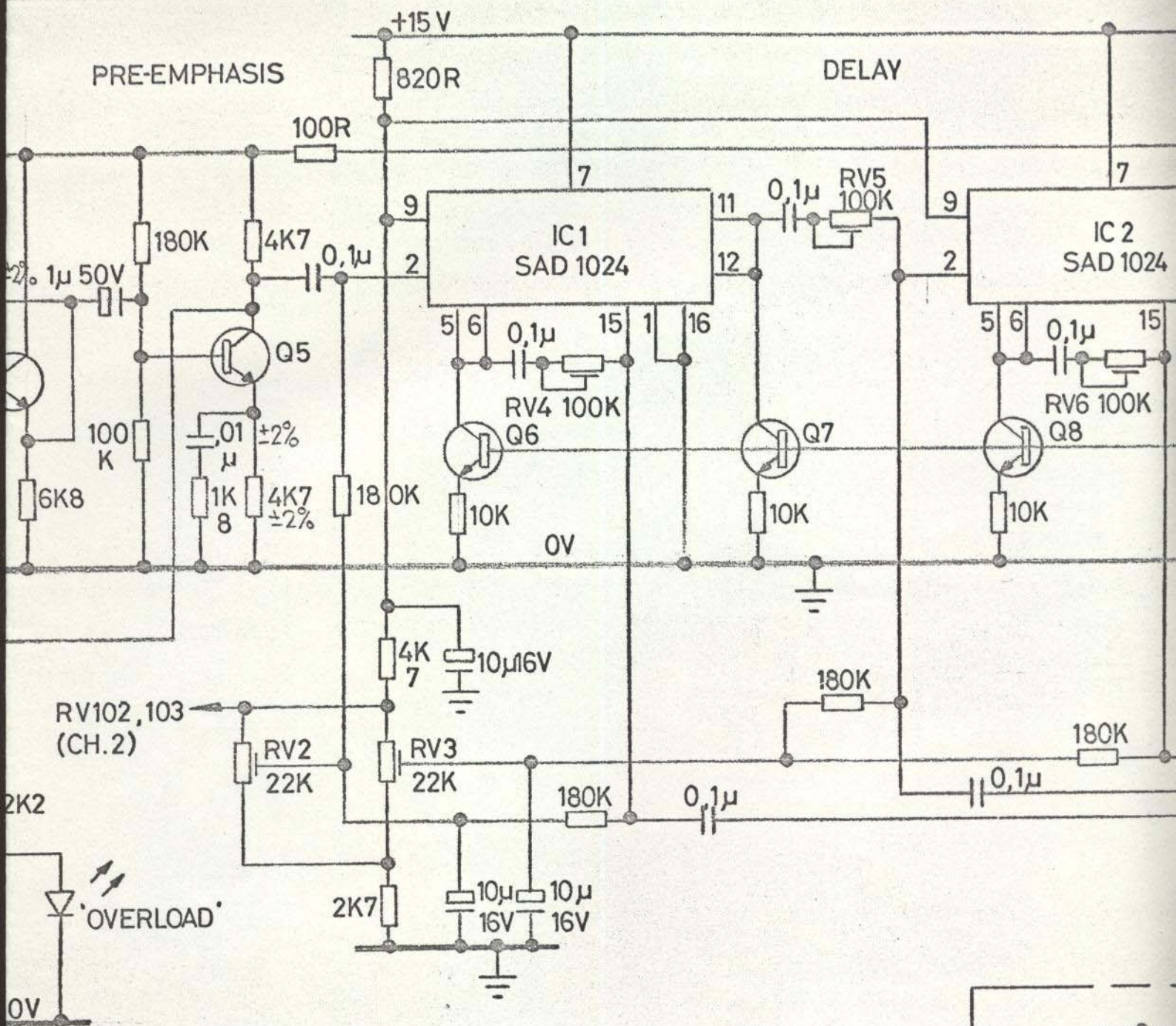
OVERLOAD CIRCUIT



+15V SUPPLY CIRCUIT \*

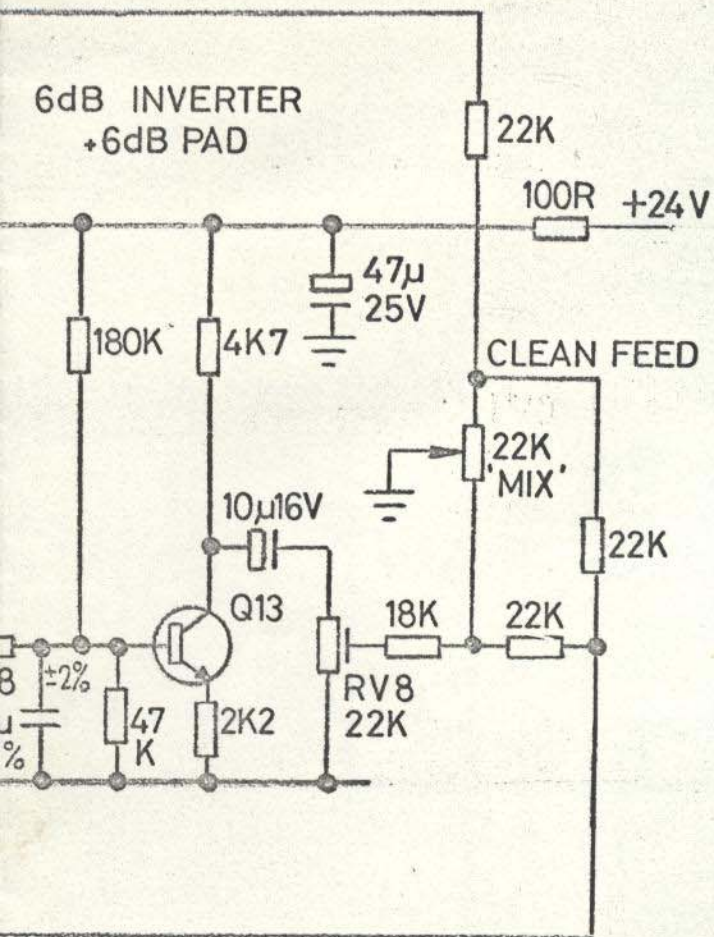


\* COMMON TO BOTH CHANNELS





6dB INVERTER  
+6dB PAD



# STEREO A.D.T. UNIT

ISSUE 1

CHANNEL 1 ONLY SHOWN

ALL NPN TRANSISTORS TYPE 2SC732  
ALL PNP TRANSISTORS TYPE 2SA562  
ALL UNSPECIFIED DIODES TYPE 1N4148

## LINE AMPLIFIER

