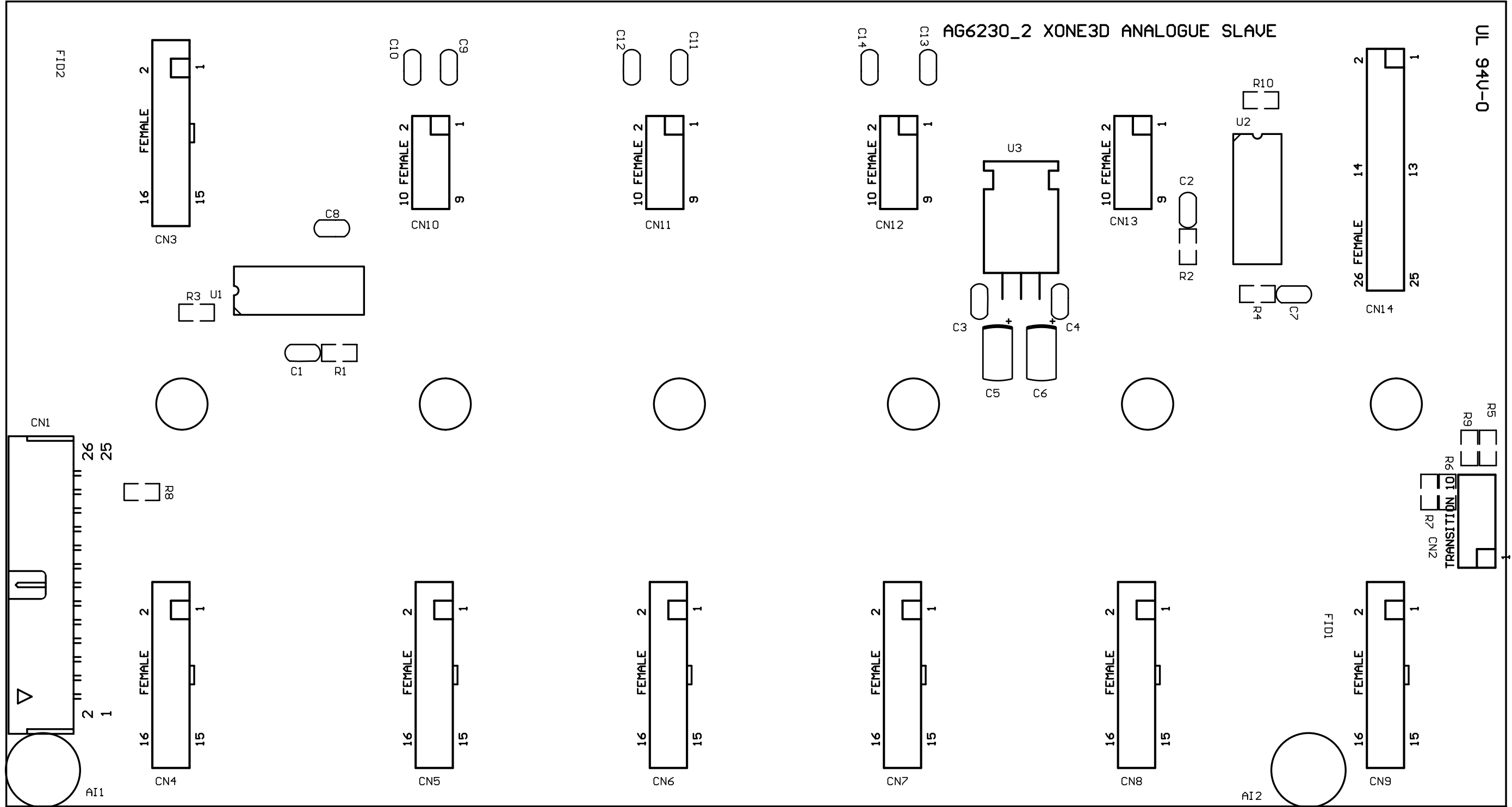


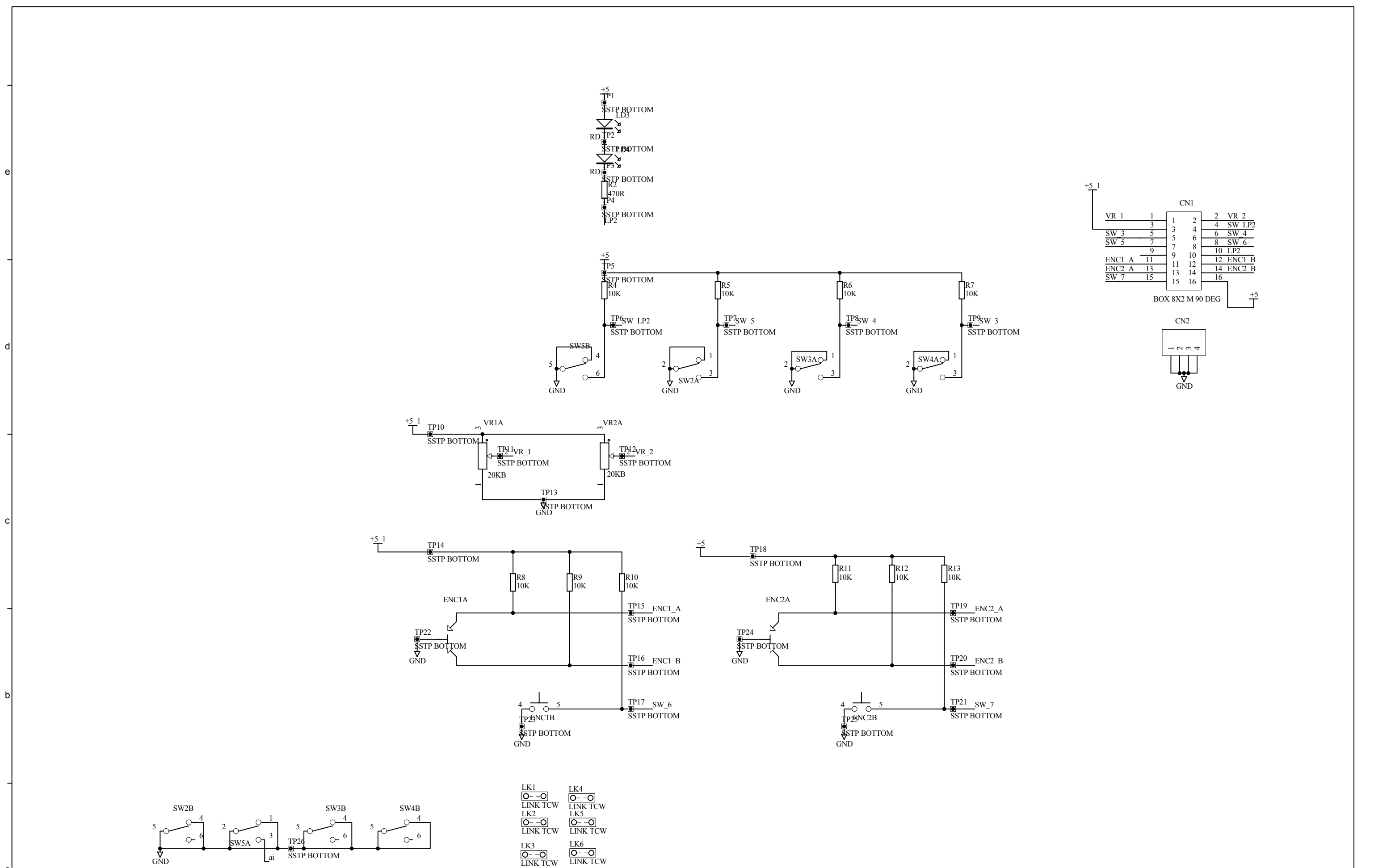
ALLEN&HEATH
 Kernick Industrial Estate,
 Penryn, Cornwall,
 England. TR10 9LU
 Tel: +44 (0)8707 556250
 Fax: +44 (0)8707 556251

ISSUE	BY	DATE	CHK BY
2	ARJ	03-03-06	

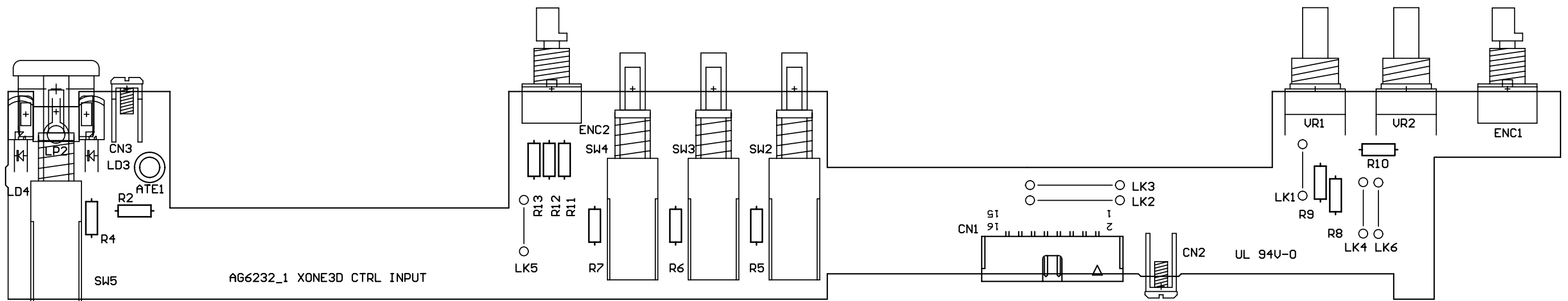
FILE: C6230_2 ANALOGUE SLAVE.Sch	PRINTED: 14:36:26 25-Apr-2006
----------------------------------	-------------------------------

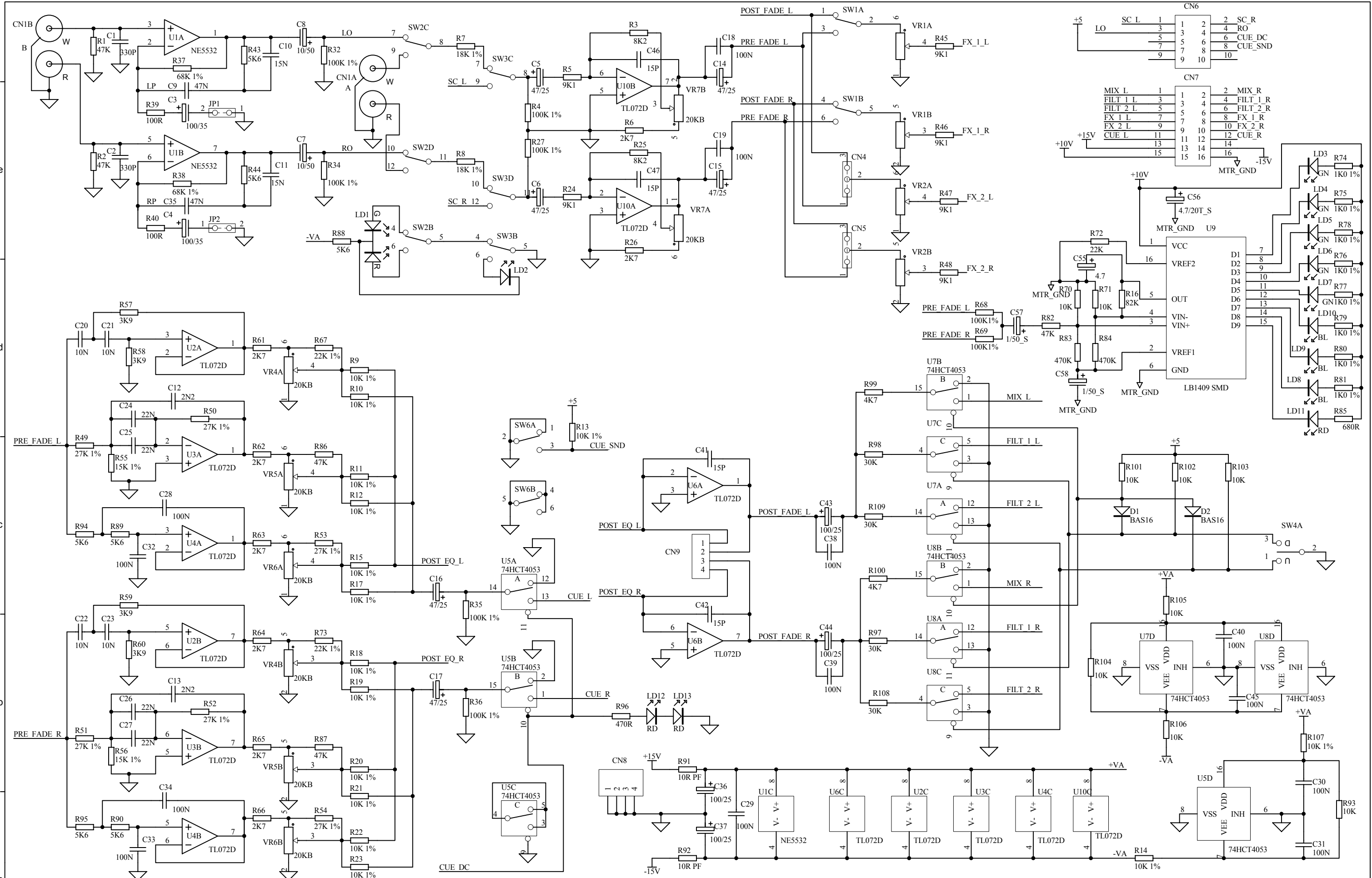
TITLE: Xone 3D analogue slave
PAGE:
DRG No: c6230 ISSUE: 2 SHEET: 1 OF 1





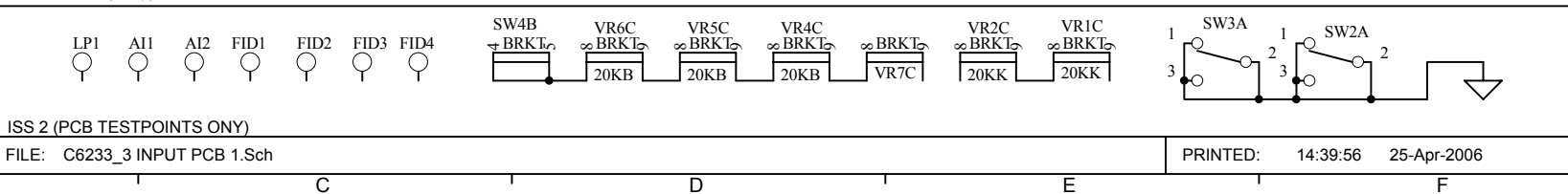
ALLEN&HEATH Kernick Industrial Estate, Penryn, Cornwall, England. TR10 9LU Tel: +44 (0)8707 556250 Fax: +44 (0)8707 556251	ISSUE	BY	DATE	CHK BY	VR1B 20KB	VR2B 20KB	ENC1C	ENC2C	LP2 SW-LIGHTPIPE	CN3 EARTH SCREW TERMINAL NARROW	ATE1 HOLE-AI	A11 HOLE-AI	A12 HOLE-AI	TITLE:
					FILE: CX6232_1 CTRL INPUT.Sch						PRINTED: 14:39:32 25-Apr-2006			PAGE:
														DRG No:
														ISSUE:
														SHEET: 0 OF 0



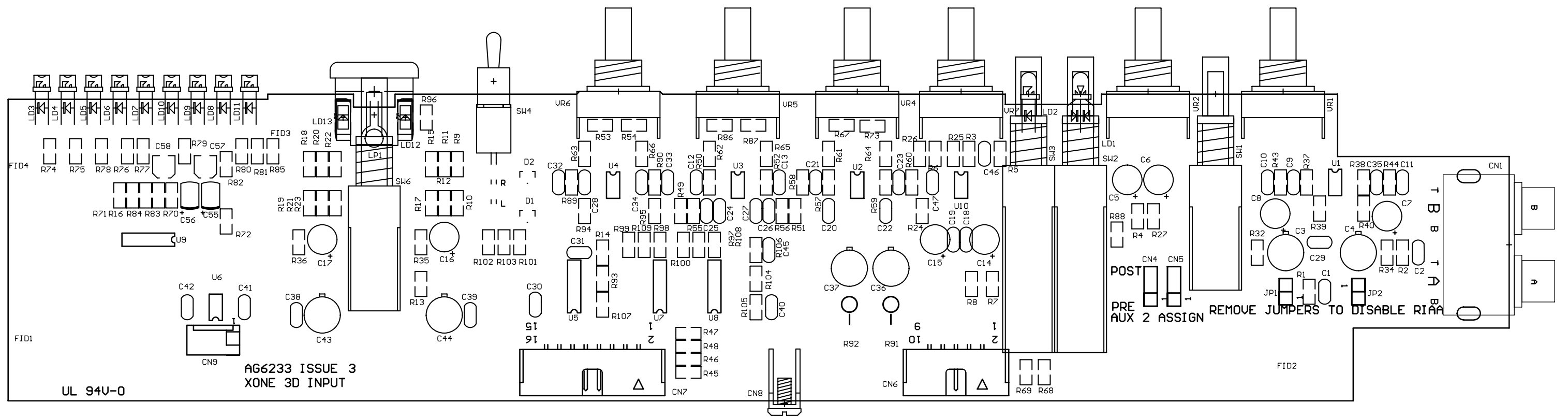


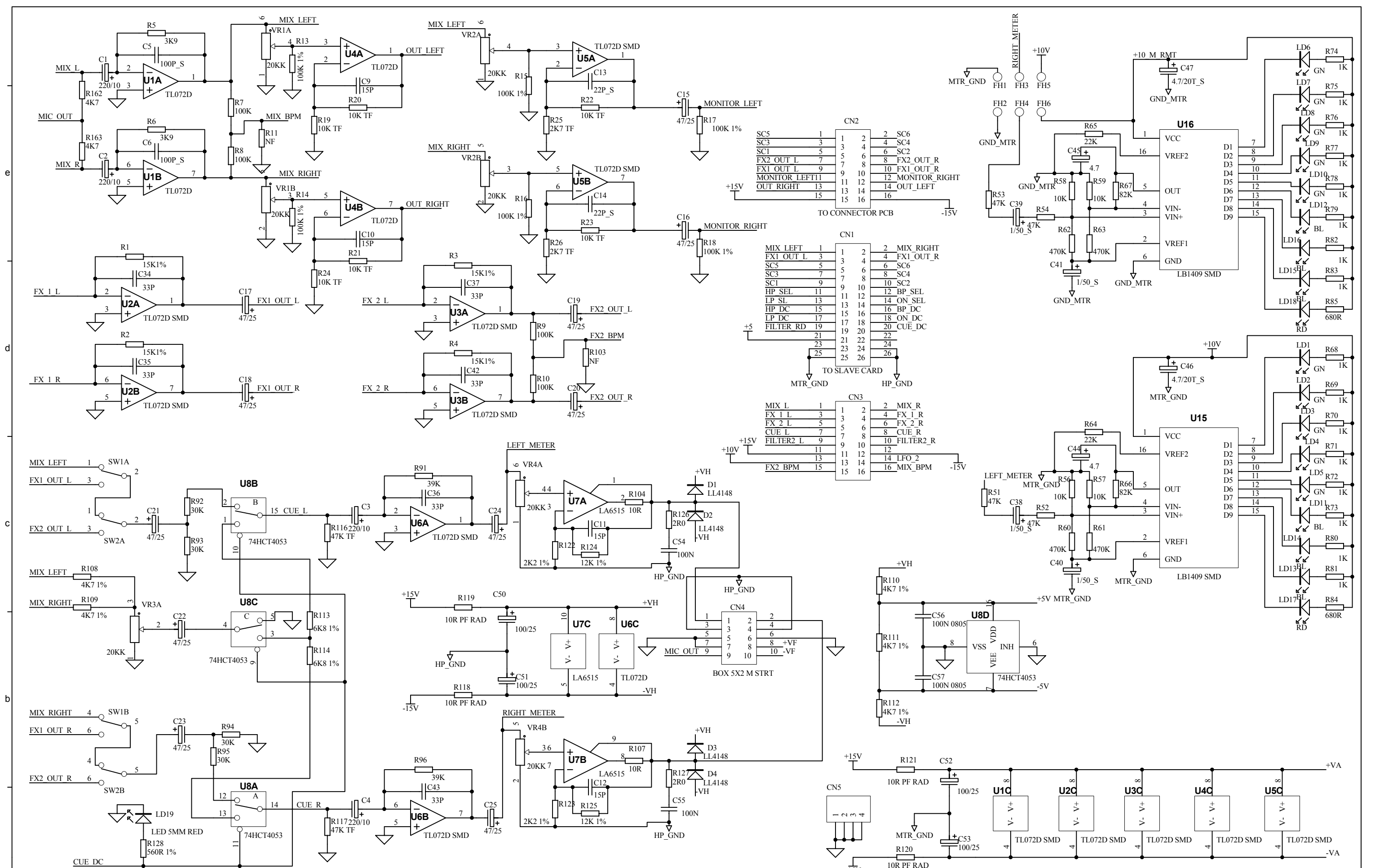
ALLEN&HEATH
 Kernick Industrial Estate,
 Penryn, Cornwall,
 England. TR10 9LU
 Tel: +44 (0)8707 556250
 Fax: +44 (0)8707 556251

ISSUE	BY	DATE	CHK BY
B	ARJ	21-06-05	Text
2	AAT	24-11-05	



TITLE: XONE 3D INPUT PCB
PAGE:
DRG No: C6233 **ISSUE: 2** **SHEET: 1 OF 1**
 PRINTED: 14:39:56 25-Apr-2006





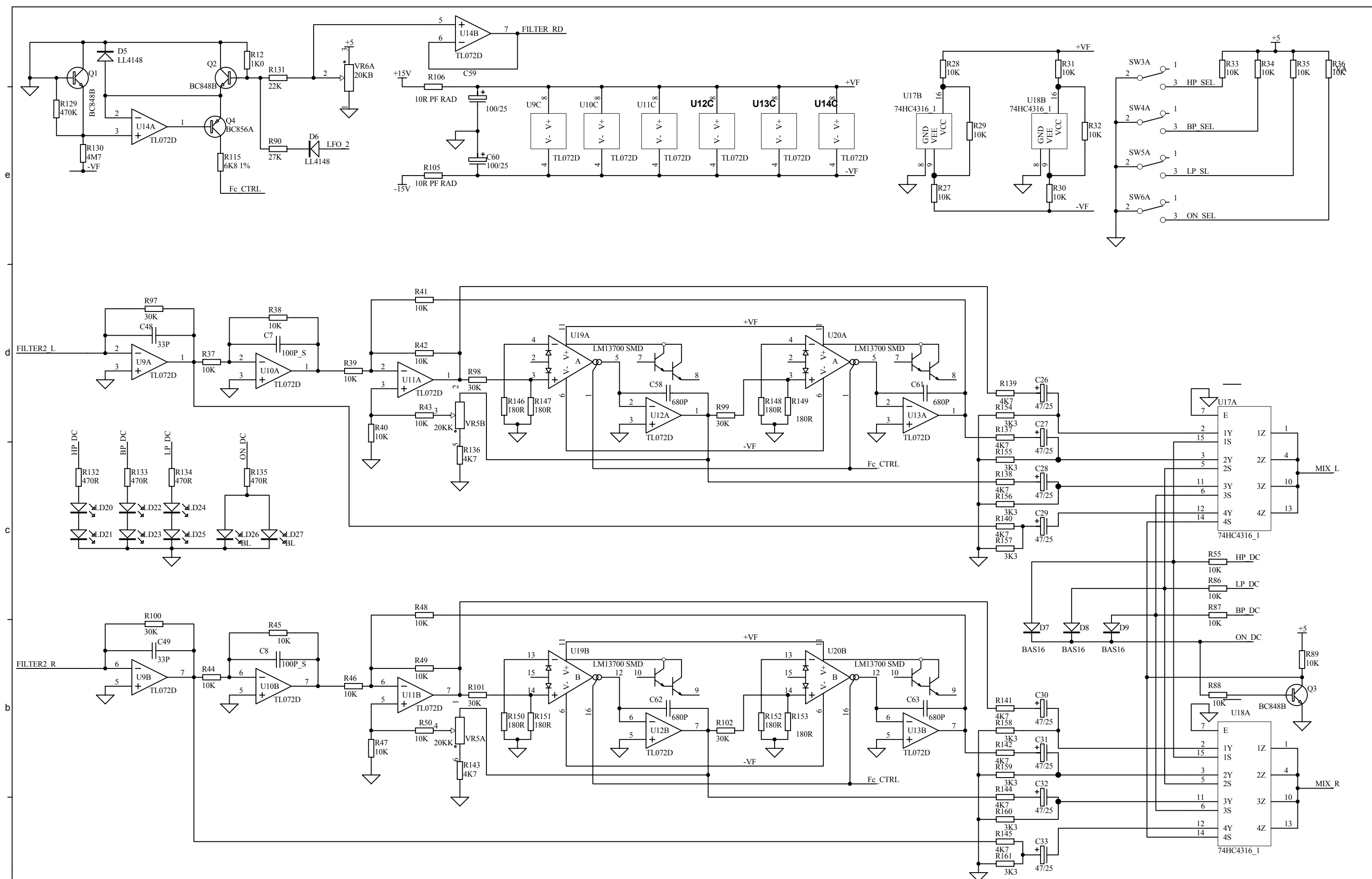
ALLEN&HEATH
 Kernick Industrial Estate,
 Penryn, Cornwall,
 England. TR10 9LU
 Tel: +44 (0)8707 556250
 Fax: +44 (0)8707 556251

ISSUE	BY	DATE	CHK BY	VR5C	VR4C	VR3B	VR2C	VR1C
B	ARJ AAT	21-06-05 24-11-05	Text	∞ BRKT	∞ BRKT	∞ BRKT	∞ BRKT	∞ BRKT

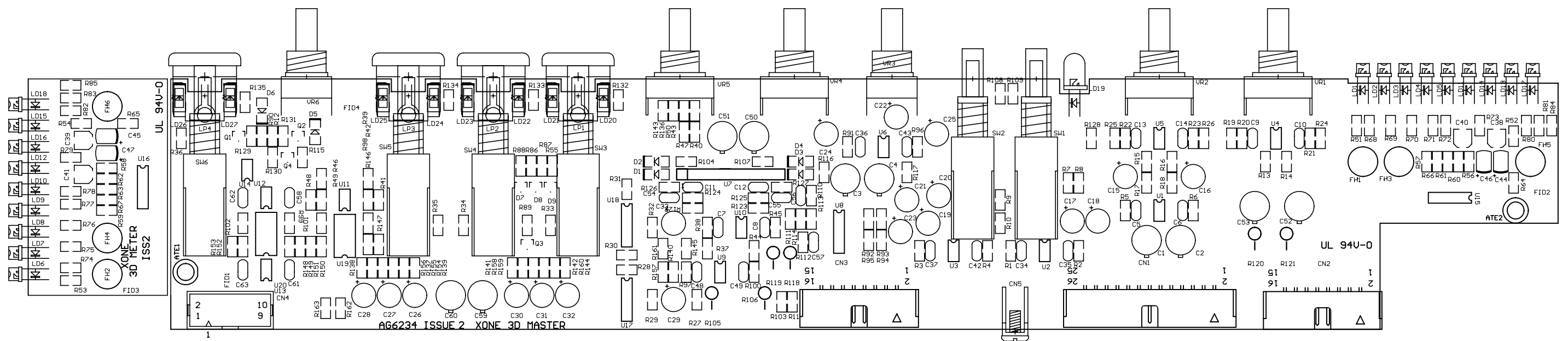
FILE: C6234_2 MASTER PCB 1.Sch

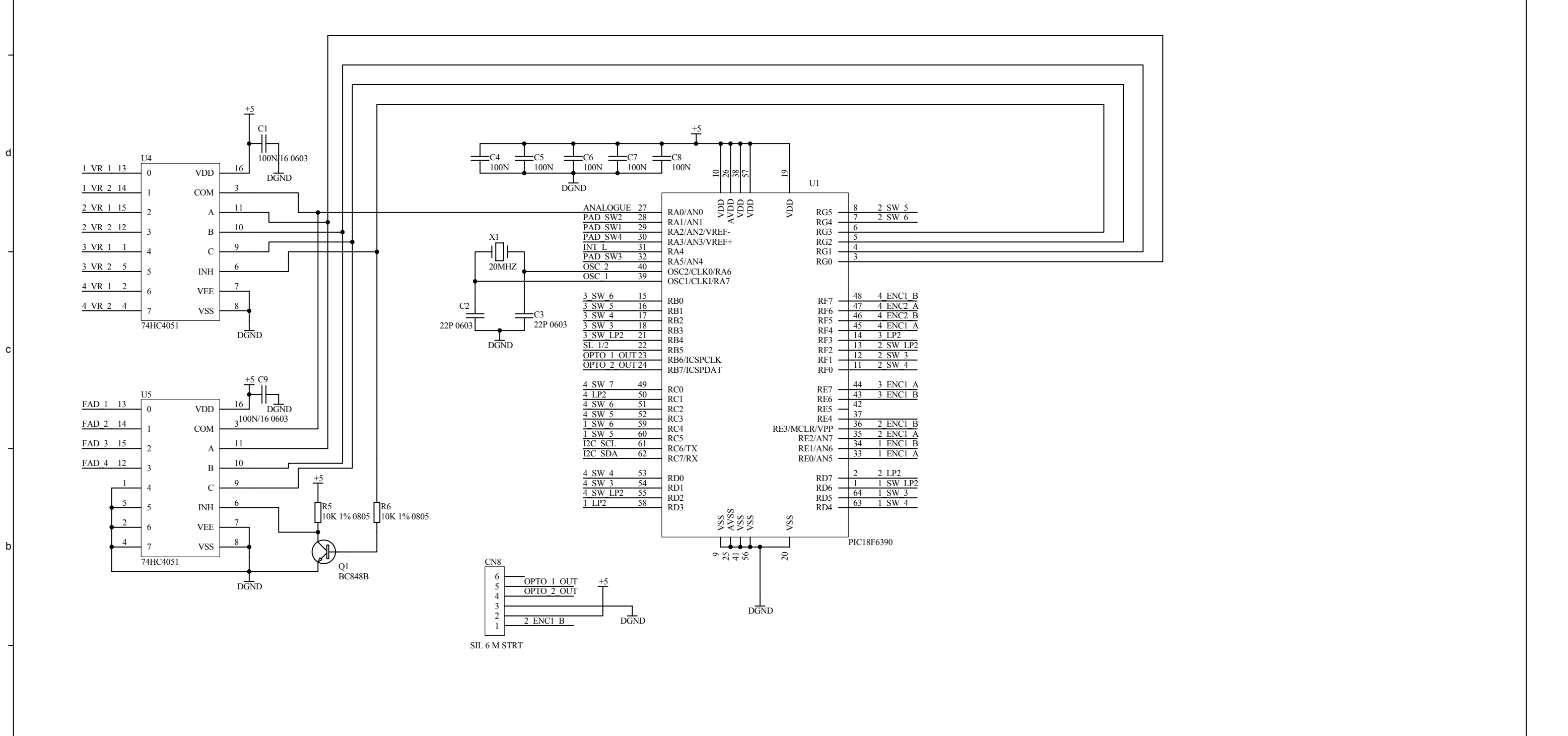
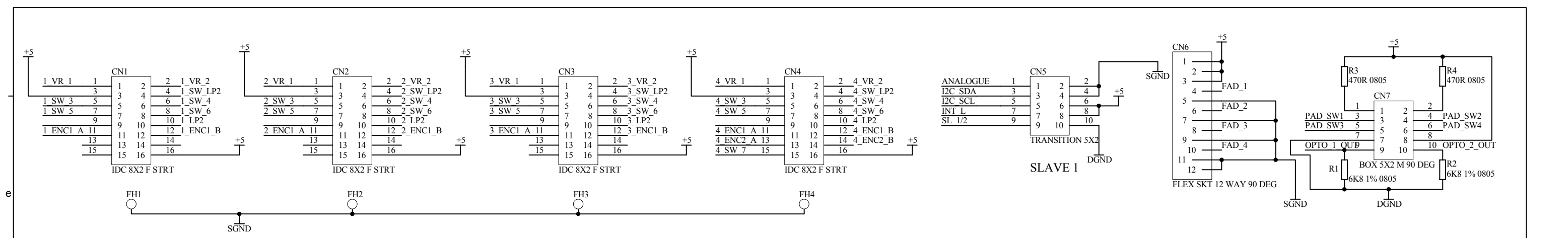
TITLE: **XONE 3D MASTER PCB**
 PAGE:
 DRG No: C6234 ISSUE: 2 SHEET: 1 OF 2

PRINTED: 14:40:19 25-Apr-2006

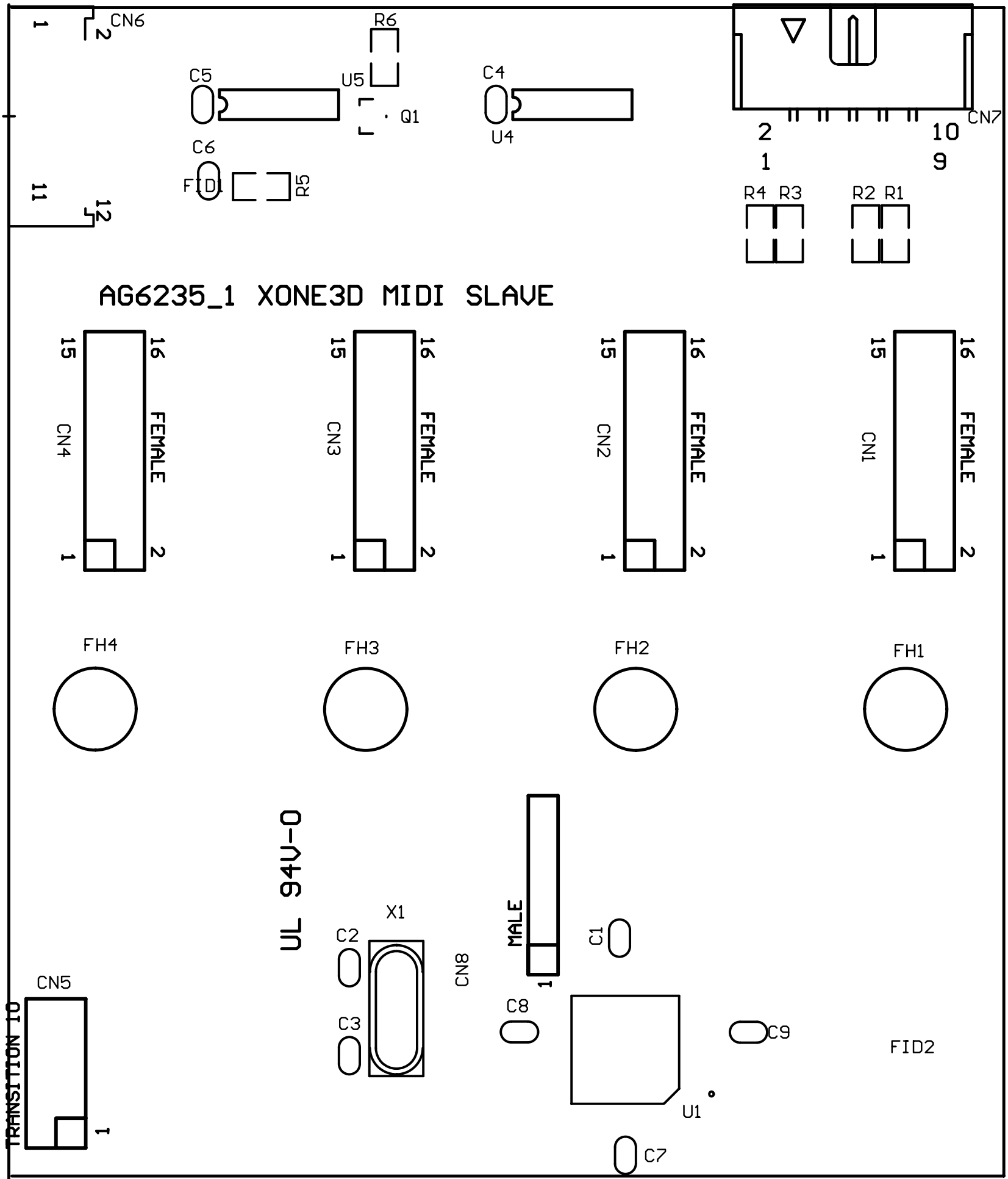


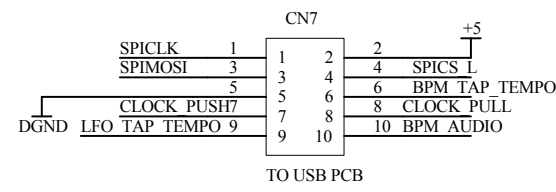
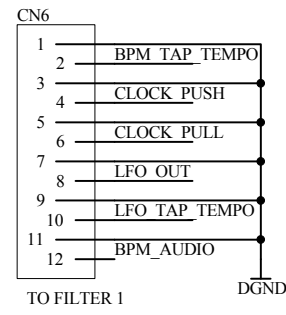
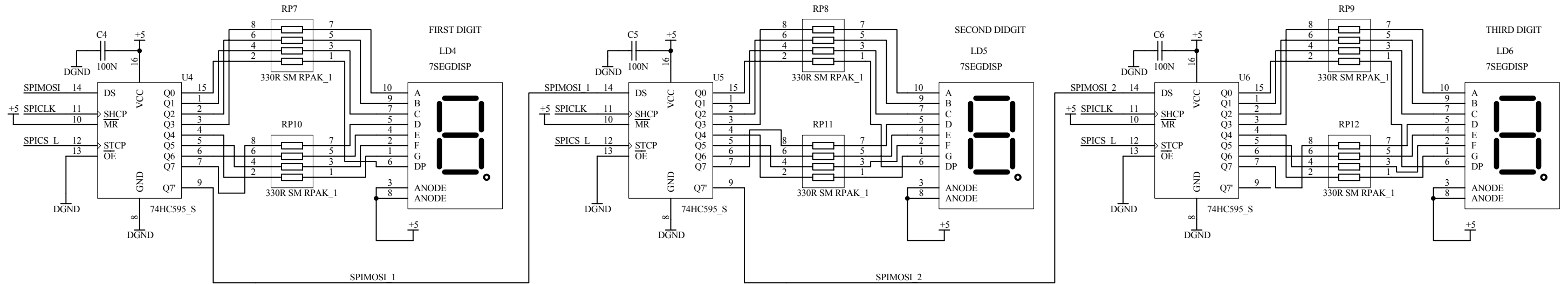
ALLEN&HEATH Kernick Industrial Estate, Penryn, Cornwall, England. TR10 9LU Tel: +44 (0)8707 556250 Fax: +44 (0)8707 556251	ISSUE B	BY ARJ AAT	DATE 21-06-05 24-11-05	CHK BY Text	ATE1 A11 FID1 FID4 ATE2 A12 FID2 FID3	VR6B BRKT POT11 20KB C/D	SW3B 4 SW4B 4 SW5B 4 SW6B 4	LP1 LP2 LP3 LP4	PCB BREAKOUT S LONG ○BO1 ○BO2 ○BO3 ○BO4	TITLE: XONE 3D MASTER PCB PAGE:	DRG No: C6234 ISSUE: 2 SHEET: 2 OF 2
	FILE: C6234_2 MASTER PCB 2.Sch					PRINTED: 14:40:20 25-Apr-2006					





ALLEN&HEATH Kernick Industrial Estate, Penryn, Cornwall, England. TR10 9LU Tel: +44 (0)8707 556250 Fax: +44 (0)8707 556251	ISSUE	BY	DATE	CHK BY	FID1 FID2 	TITLE: SLAVE CARD
						FILE: C6235_1 MIDI SLAVE.Sch
						DRG No: CXXXX ISSUE: A SHEET: 1 OF 1





ALLEN&HEATH
 Kernick Industrial Estate,
 Penryn, Cornwall,
 England. TR10 9LU
 Tel: +44 (0)8707 556250
 Fax: +44 (0)8707 556251

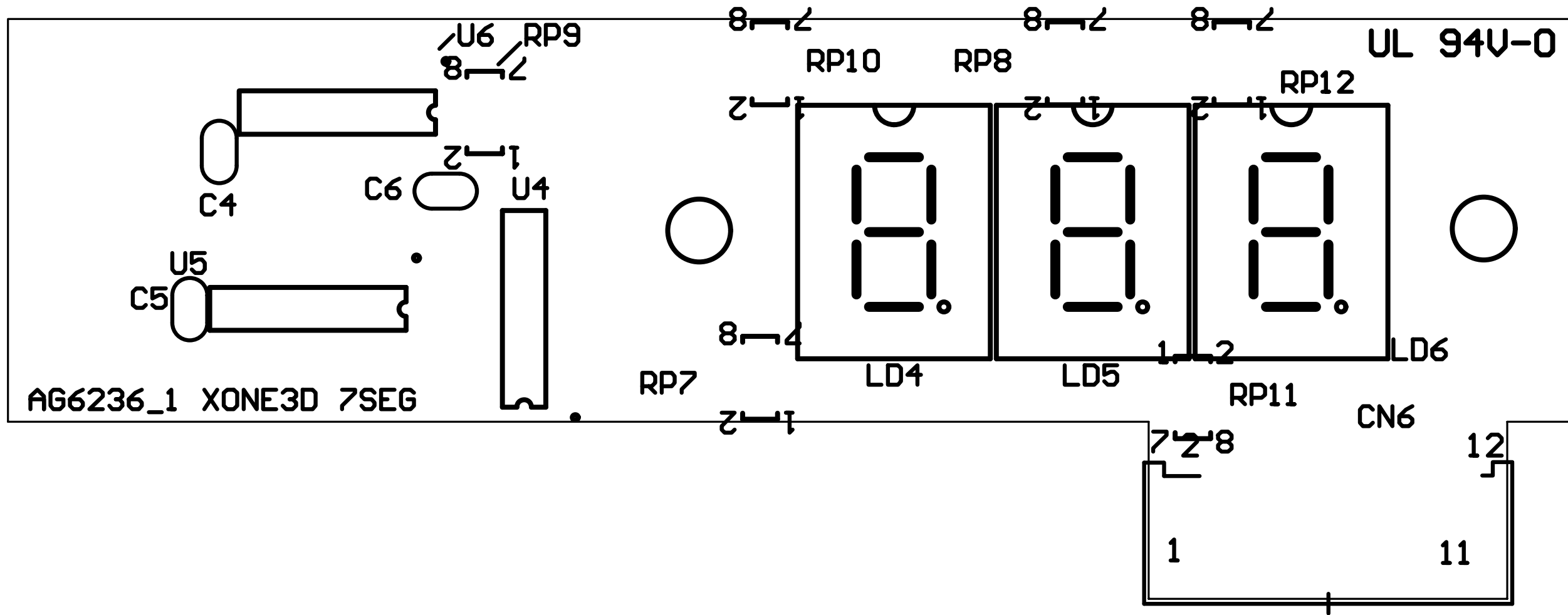
ISSUE	BY	DATE	CHK BY
B 1	RW ARJ	15-5-05 13-10-05	

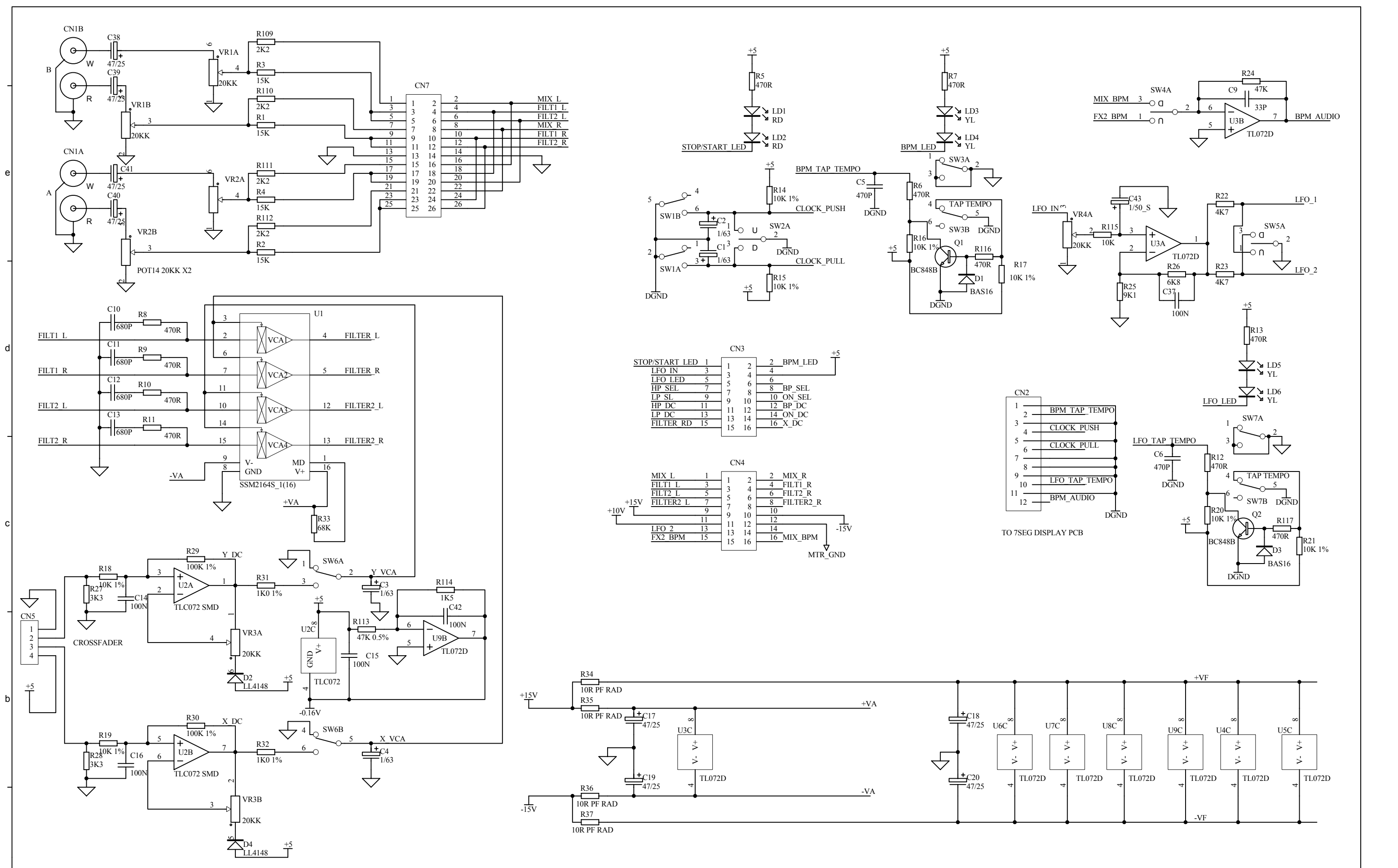
FID3	FID4	FH3	FH4
○	○	○	○

FILE: AG6236_1 7 SEG DISPLAY.Sch

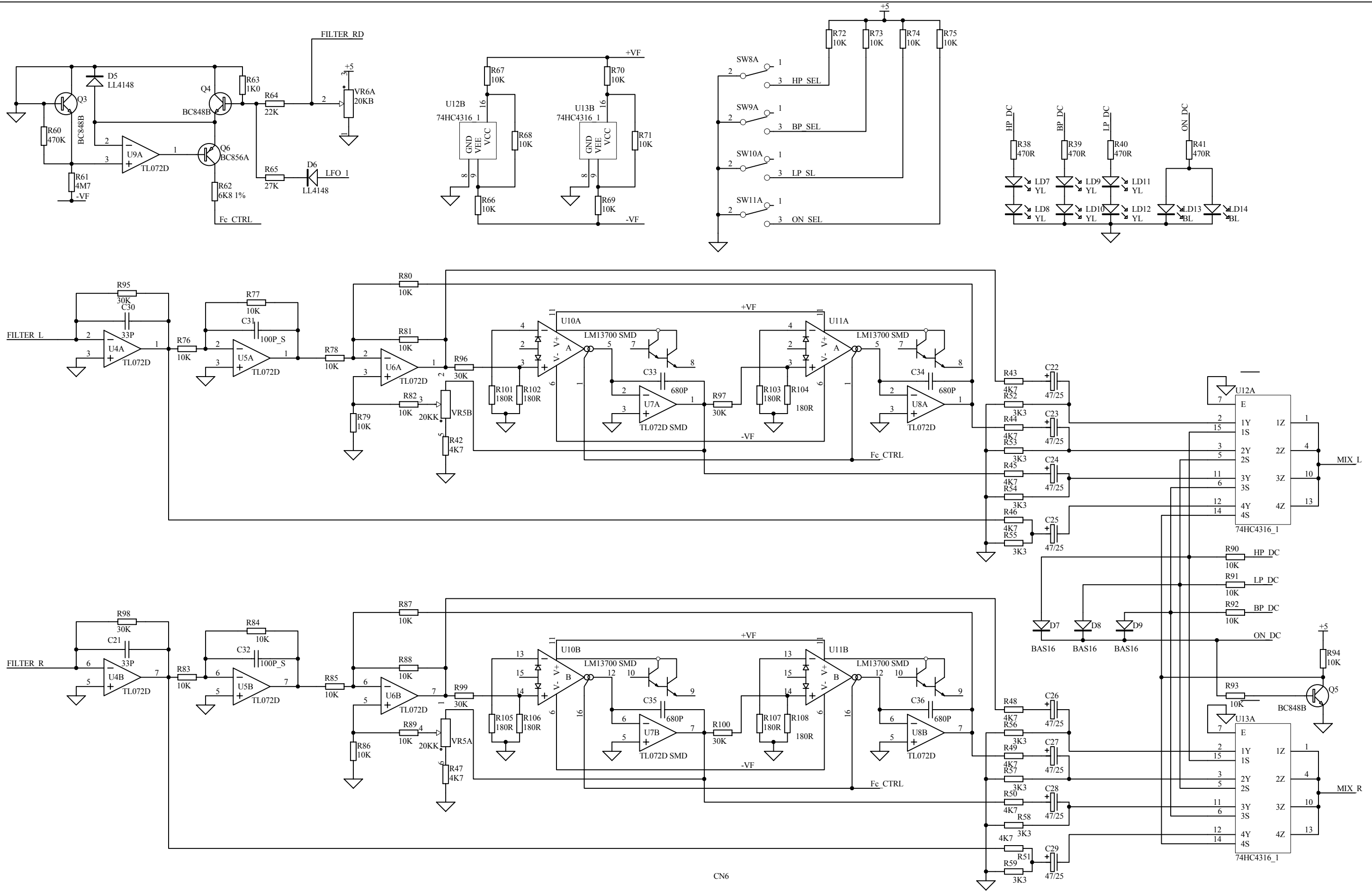
TITLE: LED DISPLAY PCB
PAGE:
DRG No: C6236 ISSUE: 1 SHEET: 1 OF 1

PRINTED: 14:42:12 25-Apr-2006



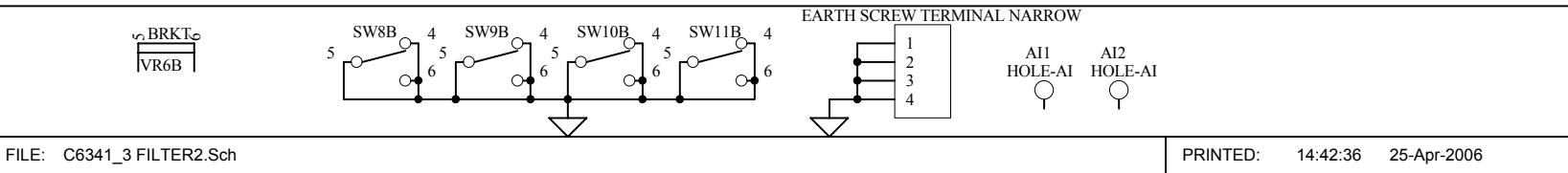


ALLEN&HEATH Kernick Industrial Estate, Penryn, Cornwall, England. TR10 9LU Tel: +44 (0)1326 372070 Fax: +44 (0)1326 370153	ISSUE	BY	DATE	CHK BY	VR5C	VR3C	SW5B	VR4B	VR2C	VR1C	SW4B	SW2B	LP1	LP3	LP5	LP7	FID1	TITLE: XONE 3D FILTER PCB
	A	ARJ	21-06-05	Text	∞	∞	∞	∞	∞	∞	∞	∞	∞	∞	∞	∞	∞	PAGE:
	2	AAT	24-11-05															DRG No: C6341
	3	ARJ	03-03-06															ISSUE: 3
																		SHEET: 1 OF 2
																		FILE: C6341_3_FILTER.Sch
																		PRINTED: 14:42:36 25-Apr-2006



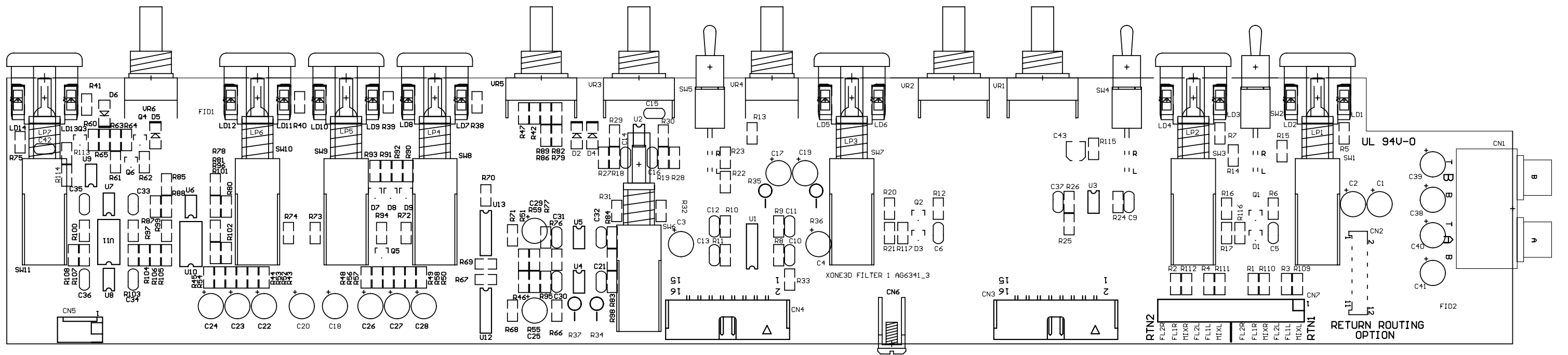
ALLEN&HEATH
 Kernick Industrial Estate,
 Penryn, Cornwall,
 England. TR10 9LU
 Tel: +44 (0)1326 372070
 Fax: +44 (0)1326 370153

ISSUE	BY	DATE	CHK BY
A	ARJ	21-06-05	Text
2	AAT	24-11-05	
3	ARJ	03-03-06	

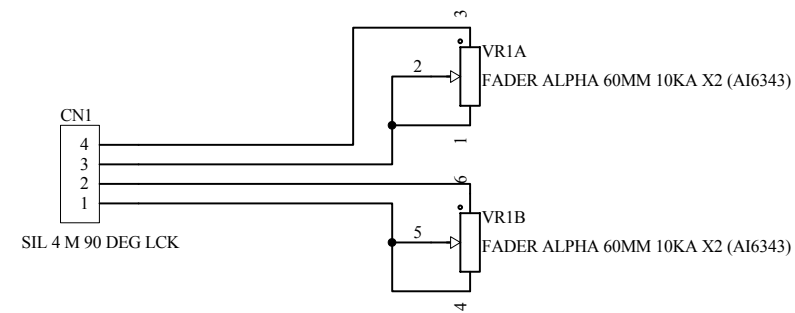


TITLE: **XONE 3D FILTER PCB**
 PAGE:
 DRG No: C6341 ISSUE: 3 SHEET: 2 OF 2
 PRINTED: 14:42:36 25-Apr-2006

FILE: C6341_3 FILTER2.Sch



e
d
c
b
a



ALLEN&HEATH

Kernick Industrial Estate,
Penryn, Cornwall,
England. TR10 9LU
Tel: +44 (0)1326 372070
Fax: +44 (0)1326 370153

ISSUE	BY	DATE	CHK BY
1	ARJ	13-10-05	

FILE: C6350_1 LINEAR FADER.Sch

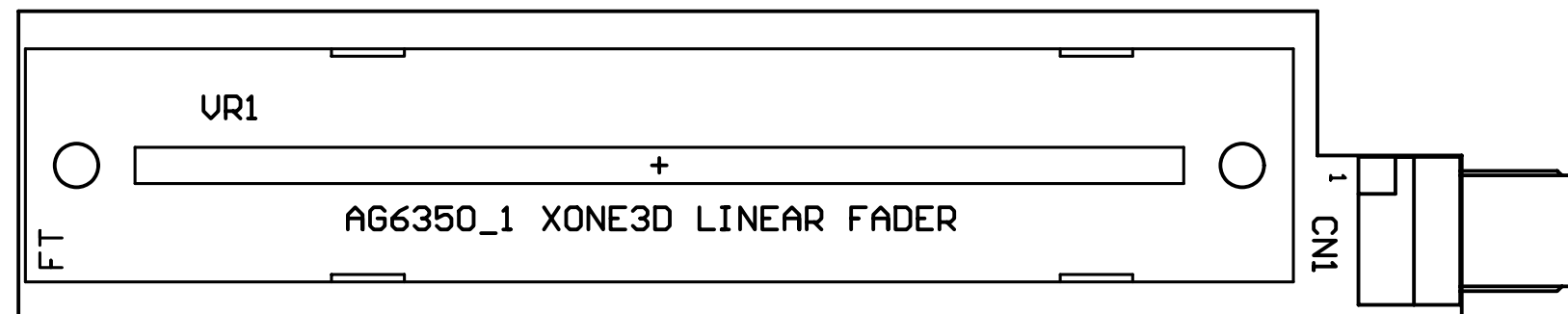
PRINTED: 14:43:18 25-Apr-2006

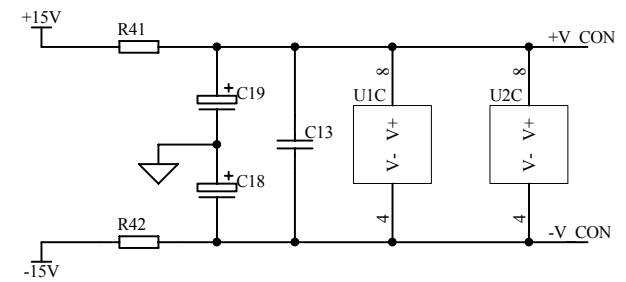
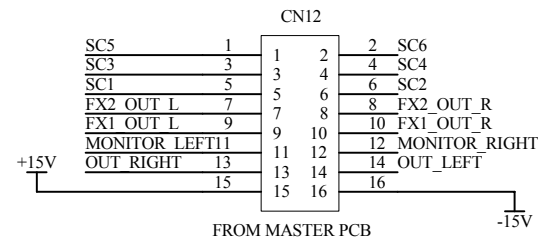
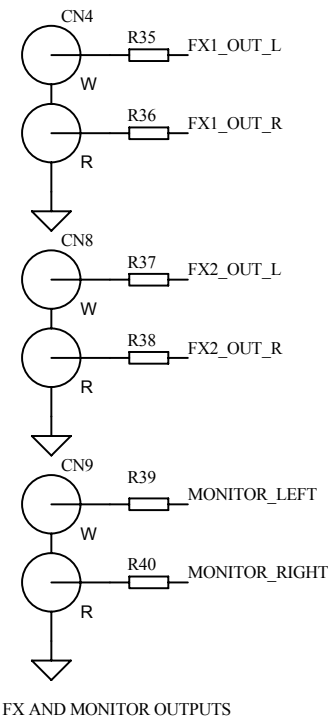
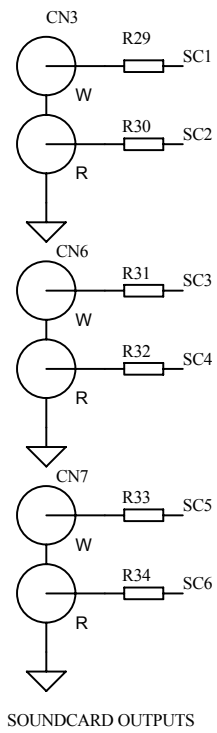
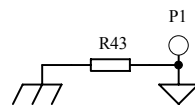
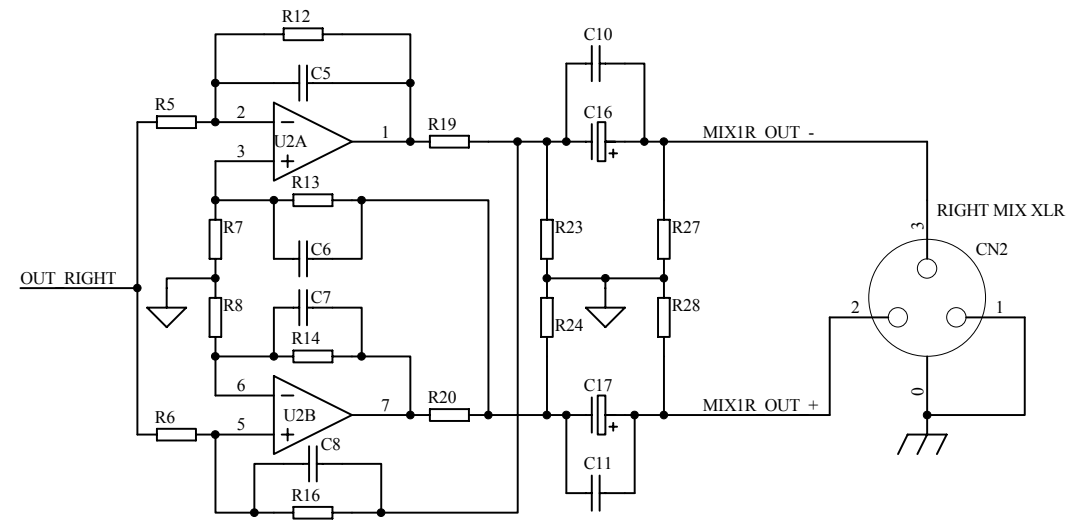
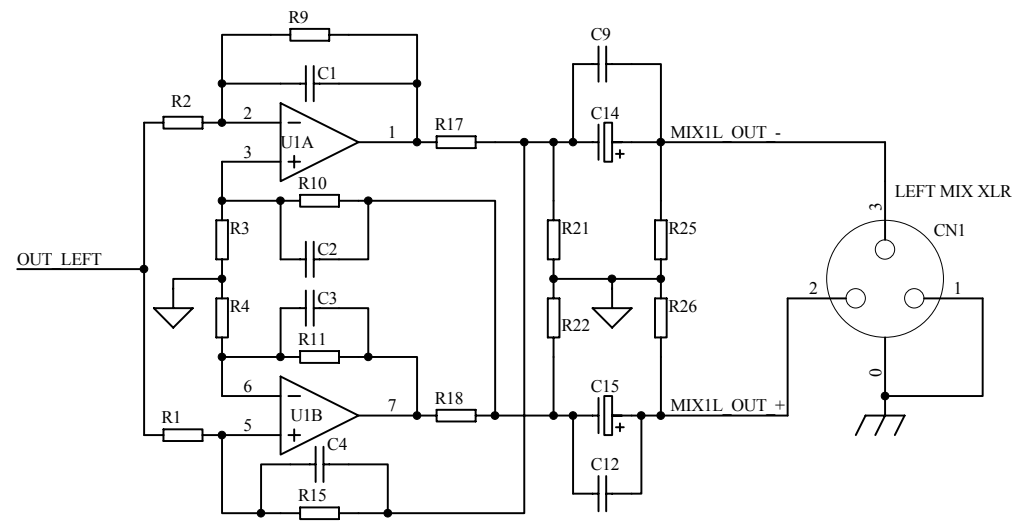
TITLE: XONE 3D CHANNEL FADER

PAGE:

DRG No: C6350 ISSUE: I SHEET: 1 OF 1

003-526 iss.1





ALLEN&HEATH

Kernick Industrial Estate,
Penryn, Cornwall,
England. TR10 9LU
Tel: +44 (0)8707 556250
Fax: +44 (0)8707 556251

ISSUE	BY	DATE	CHK BY
1	ARJ	04-11-05	

C6231_2 PANEL.Sch



C6231_2 PANEL

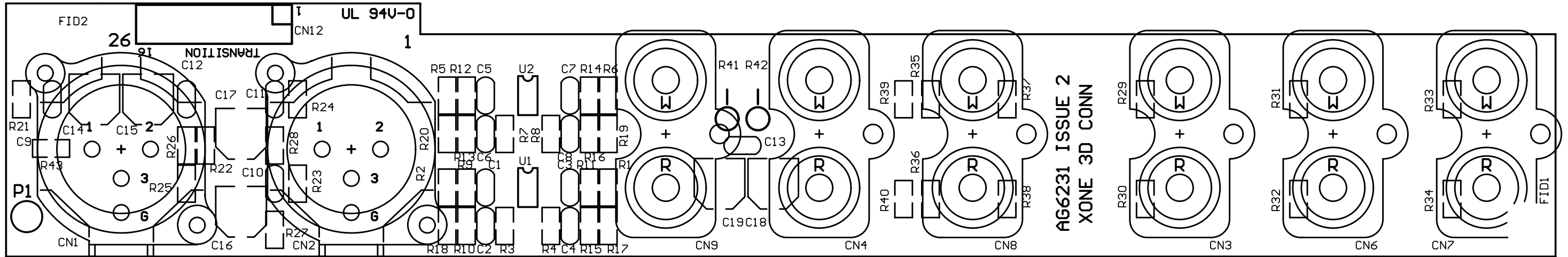
FILE: C6231_2 CONNECTOR.Sch

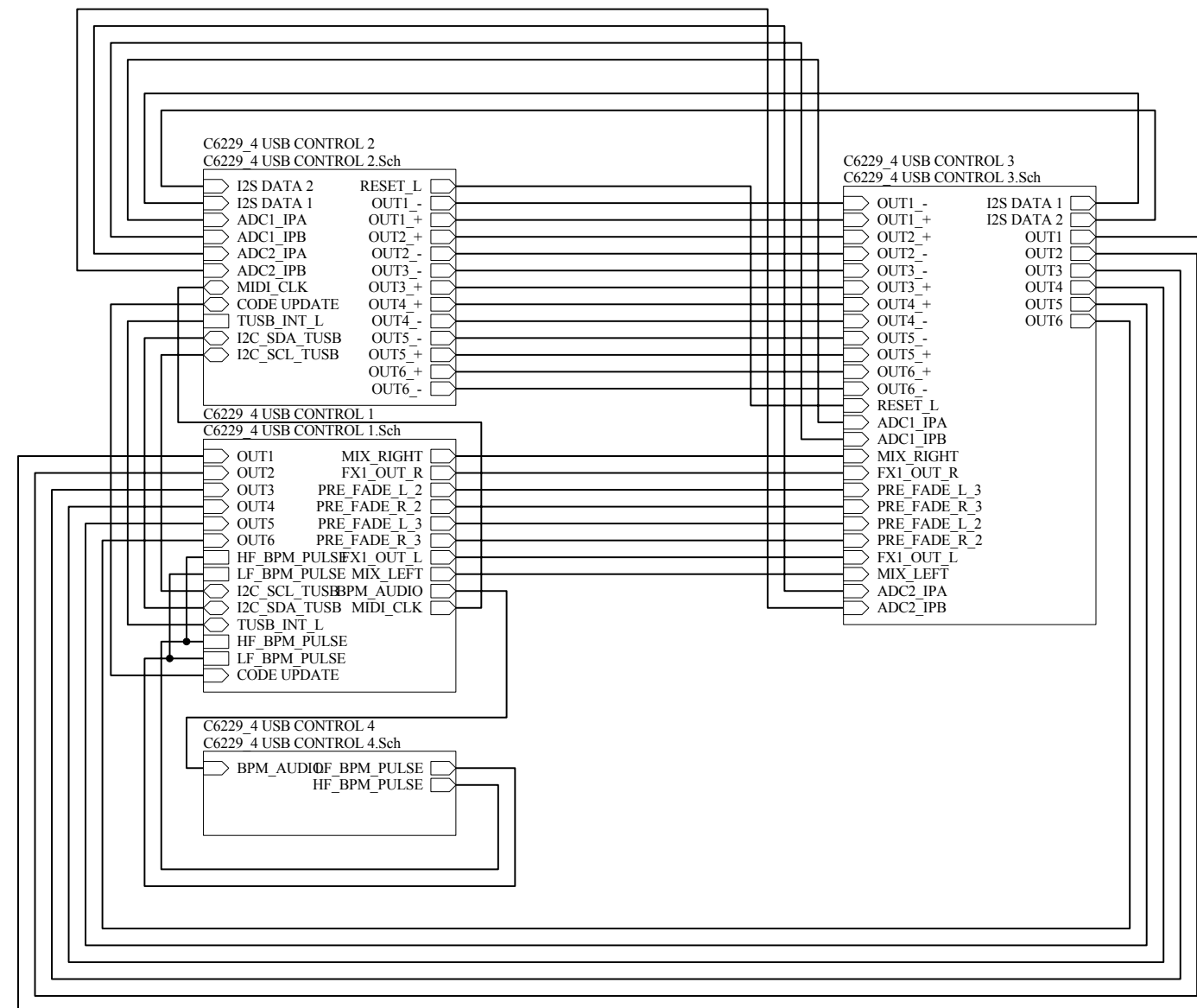
TITLE: XONE 3D CONNECTOR

PAGE:

DRG No: C6231 ISSUE: 1 SHEET: 1 OF 1

PRINTED: 14:37:08 25-Apr-2006





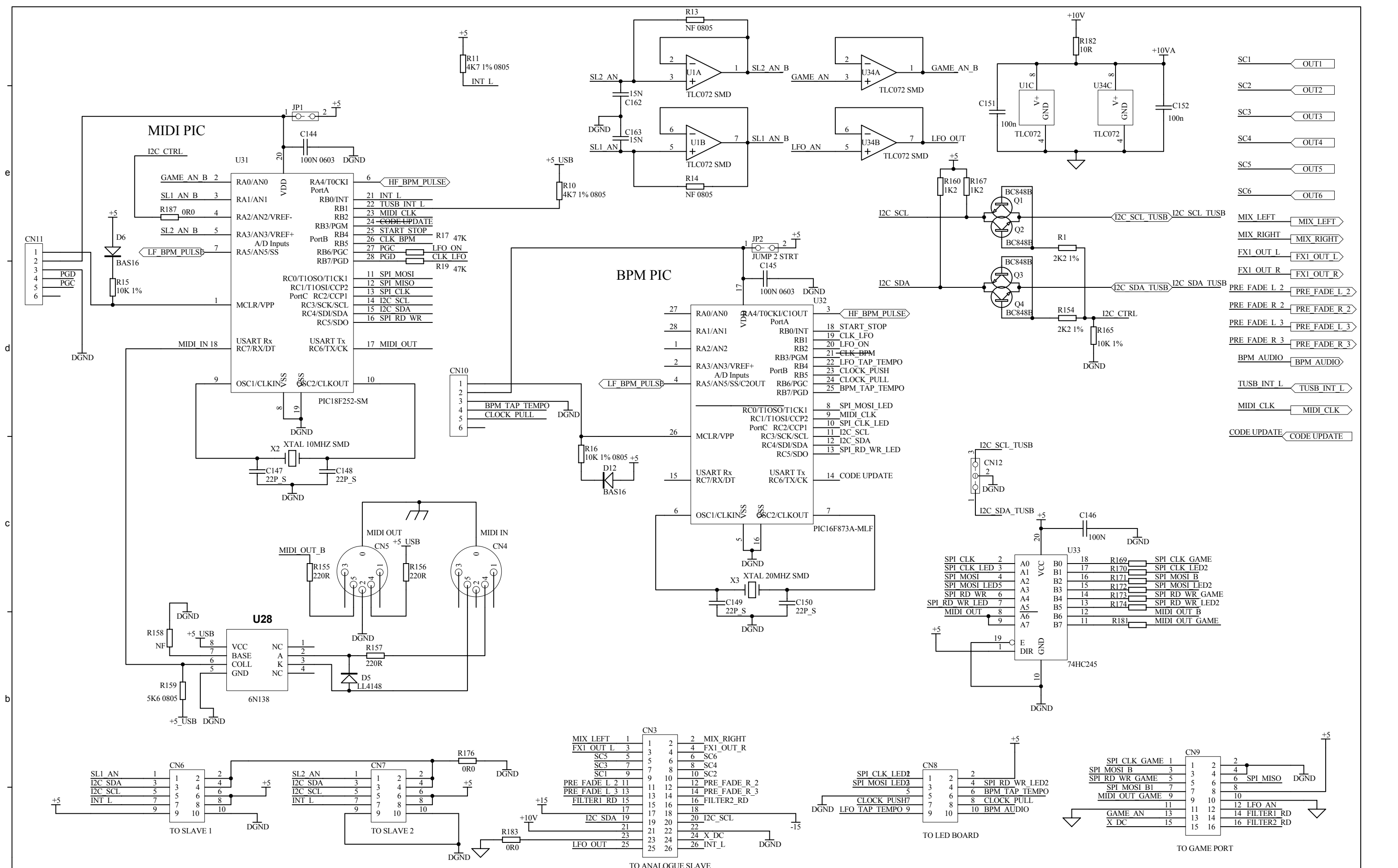
ALLEN&HEATH
 Kernick Industrial Estate,
 Penryn, Cornwall,
 England. TR10 9LU
 Tel: +44 (0)8707 556250
 Fax: +44 (0)8707 556251

ISSUE	BY	DATE	CHK BY

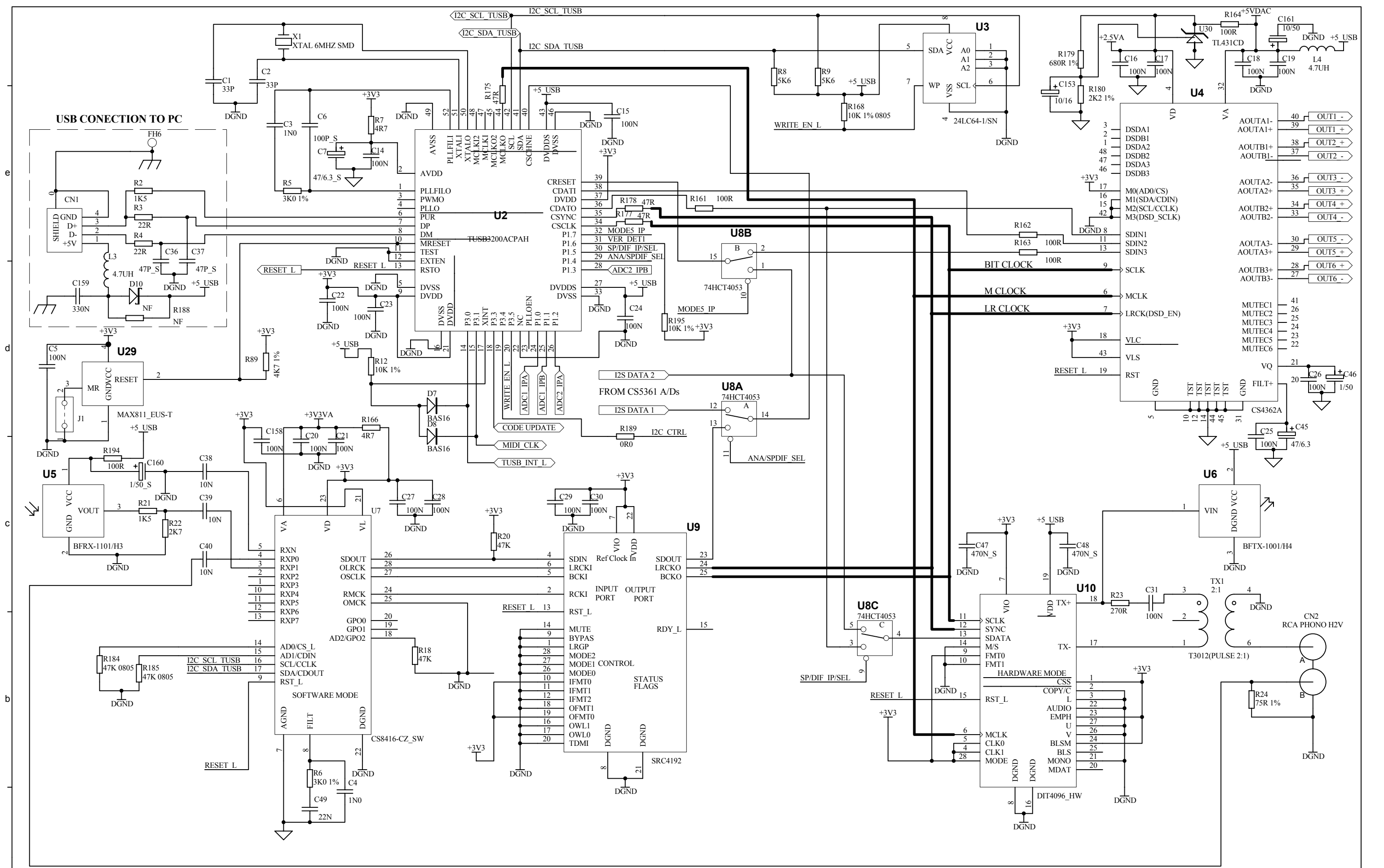
FILE: SHEET1

PRINTED: 14:35:58 25-Apr-2006

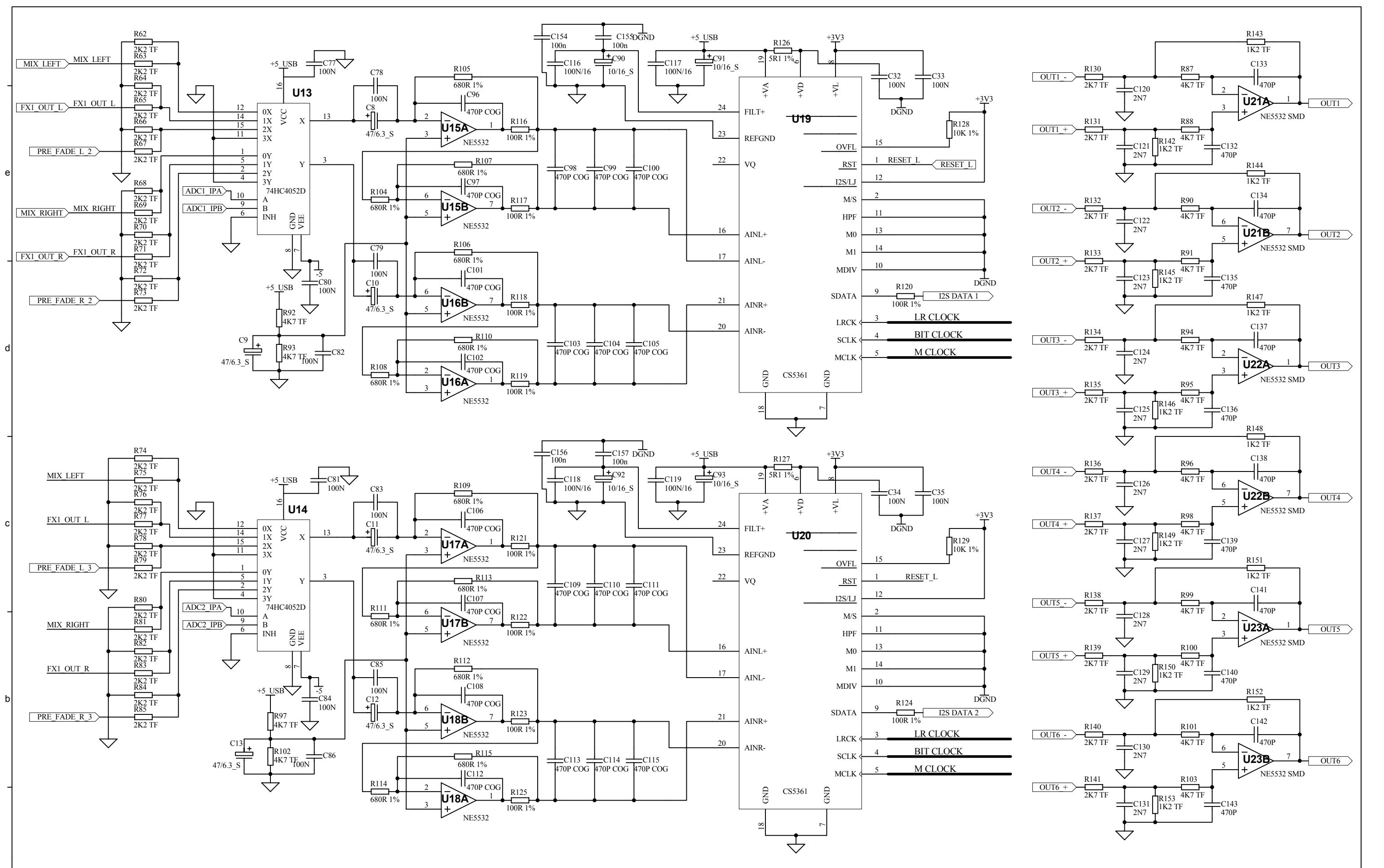
TITLE:
 PAGE:
 DRG No: ISSUE: SHEET: 0 of 0



ALLEN&HEATH Kernick Industrial Estate, Penryn, Cornwall, England. TR10 9LU Tel: +44 (0)8707 556250 Fax: +44 (0)8707 556251	ISSUE	BY	DATE	CHK BY	FID1 FID3 FH1 FH2 FH3 FH4 FH5 A12 A13 P1 D1 D2 D3 D4 D5 D6 D7 D8 D9 D10 D11 D12 D13 D14 D15 D16 D17 D18 D19 D20 D21 D22 D23 D24 D25 D26 D27 D28 D29 D30 D31 D32 D33 D34 D35 D36 D37 D38 D39 D40 D41 D42 D43 D44 D45 D46 D47 D48 D49 D50 D51 D52 D53 D54 D55 D56 D57 D58 D59 D60 D61 D62 D63 D64 D65 D66 D67 D68 D69 D70 D71 D72 D73 D74 D75 D76 D77 D78 D79 D80 D81 D82 D83 D84 D85 D86 D87 D88 D89 D90 D91 D92 D93 D94 D95 D96 D97 D98 D99 D100	1	ARJ	25-11-05	
	2	ARJ	1-2-06						
	4	ARJ	22-04-06						
	FILE: C6229_4 USB CONTROL 1.Sch								
TITLE: SPI/MIDI/BMP		PAGE:		DRG No: C6229		ISSUE: 4		SHEET: 1 OF 4	
PRINTED: 14:35:59		25-Apr-2006		DRG No: C6229		ISSUE: 4		SHEET: 1 OF 4	



ALLEN&HEATH Kernick Industrial Estate, Penryn, Cornwall, England. TR10 9LU Tel: +44 (0)8707 556250 Fax: +44 (0)8707 556251	ISSUE	BY	DATE	CHK BY	TITLE: DIGITAL IO AND USB INTERFACE PAGE: DRG No: C6229 ISSUE: 4 SHEET: 2 OF 4
	1	ARJ	25-11-05		
	2	ARJ	1-2-06		
	4	ARJ	22-04-06		
FILE: C6229_4 USB CONTROL 2.Sch					PRINTED: 14:35:59 25-Apr-2006

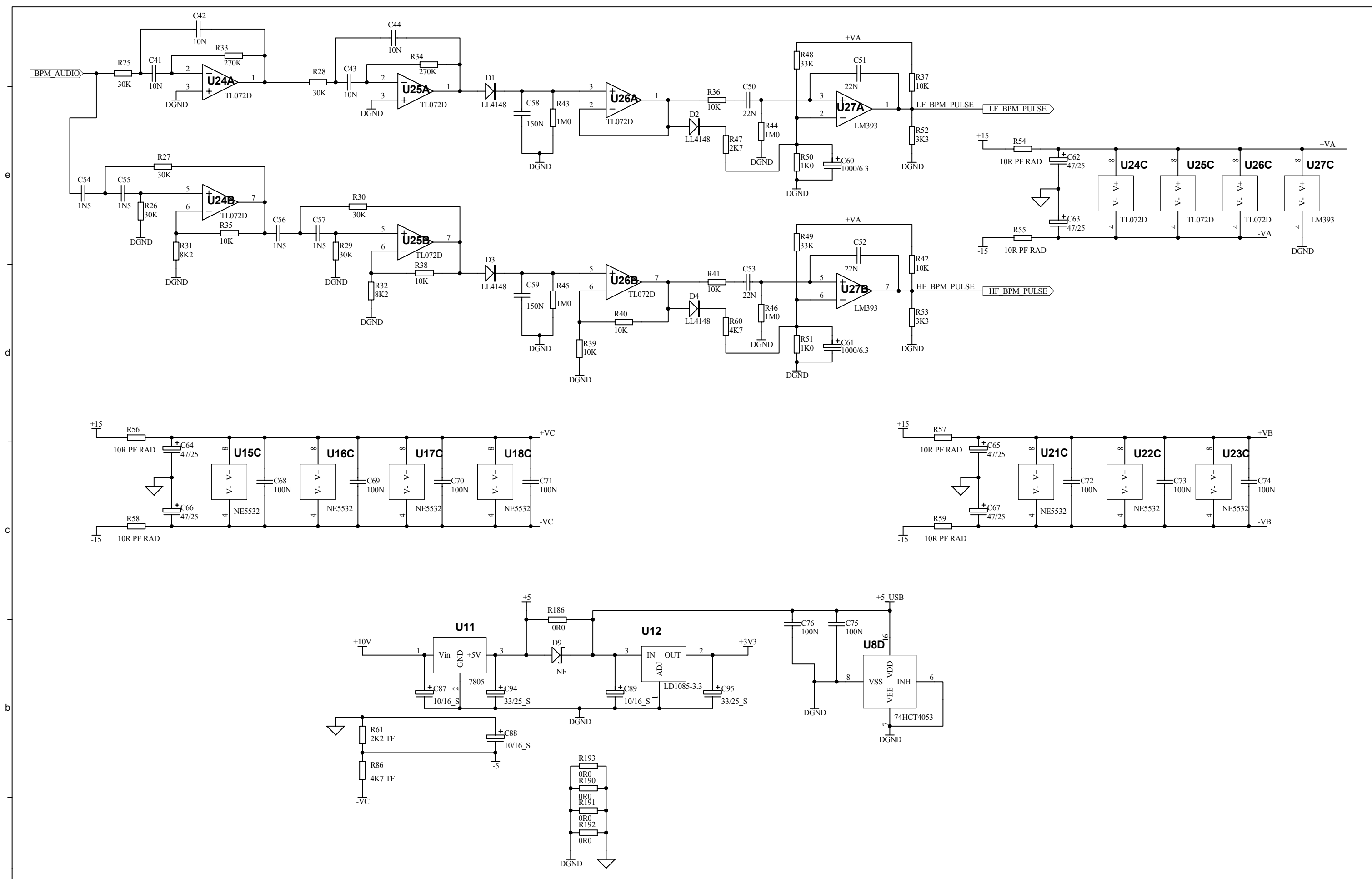


ALLEN&HEATH
 Kernick Industrial Estate,
 Penryn, Cornwall,
 England. TR10 9LU
 Tel: +44 (0)8707 556250
 Fax: +44 (0)8707 556251

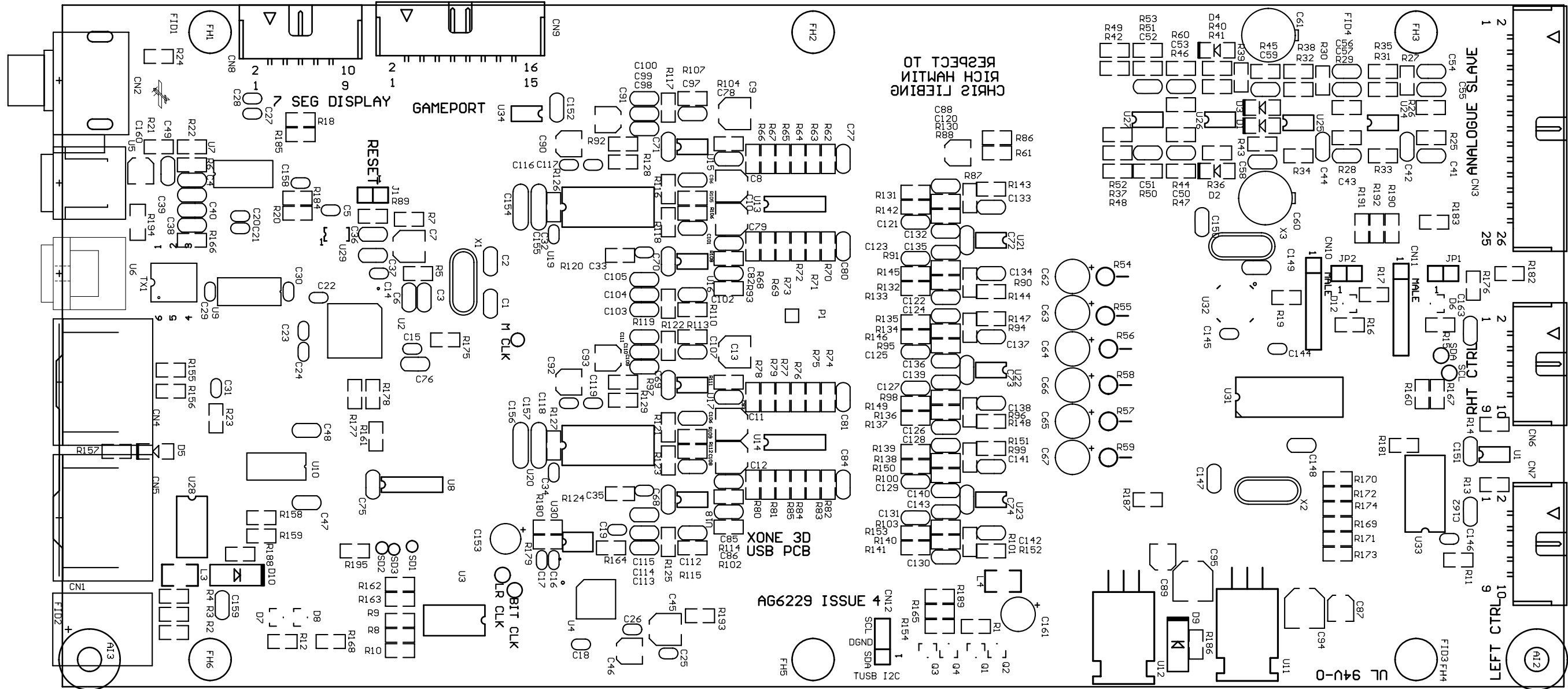
ISSUE	BY	DATE	CHK BY
1	ARJ	25-11-05	
2	ARJ	1-2-06	
4	ARJ	22-04-06	

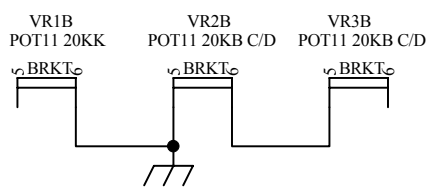
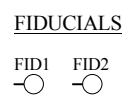
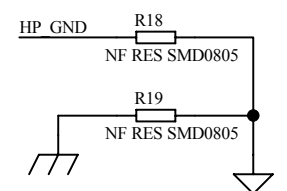
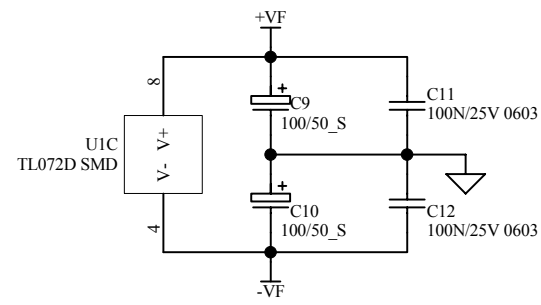
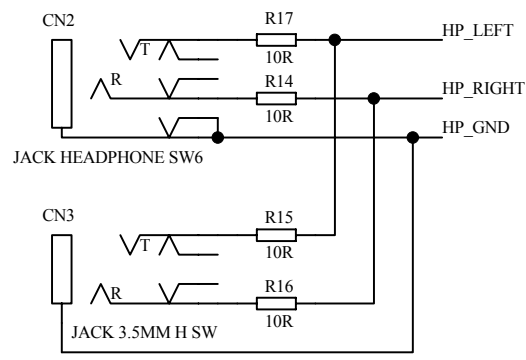
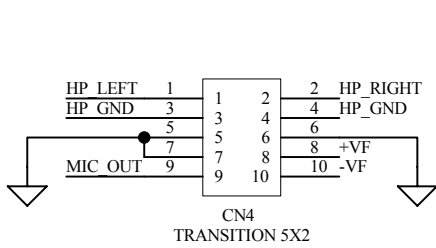
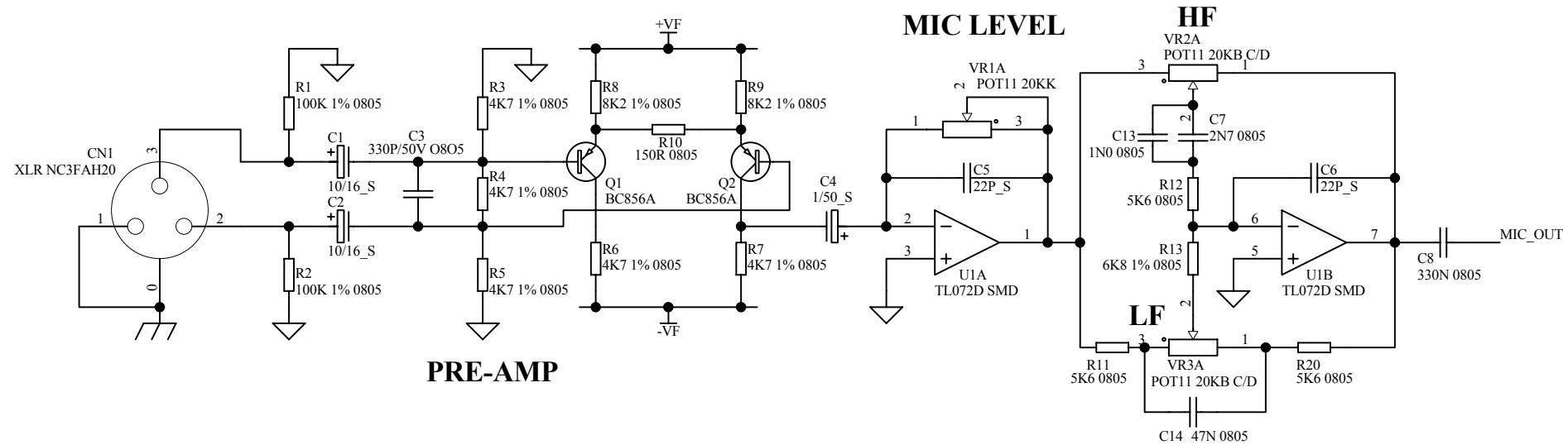
FILE: C6229_4 USB CONTROL 3.Sch
 PRINTED: 14:36:00 25-Apr-2006

TITLE: ADC AND ANALOGUE OUT
 PAGE:
 DRG No: C6229 ISSUE: 4 SHEET: 3 OF 4



ALLEN&HEATH Kernick Industrial Estate, Penryn, Cornwall, England. TR10 9LU Tel: +44 (0)1326 372070 Fax: +44 (0)1326 370153	ISSUE	BY	DATE	CHK BY	TITLE: BPM ANALOGUE/ POWER SUPPLY PAGE: DRG No: C6229 ISSUE: 4 SHEET: 4 OF 4
	1	ARJ	25-11-05		
	2	ARJ	1-2-06		
	4	ARJ	22-04-06		
FILE: C6229_4 USB CONTROL 4.Sch					PRINTED: 14:36:00 25-Apr-2006





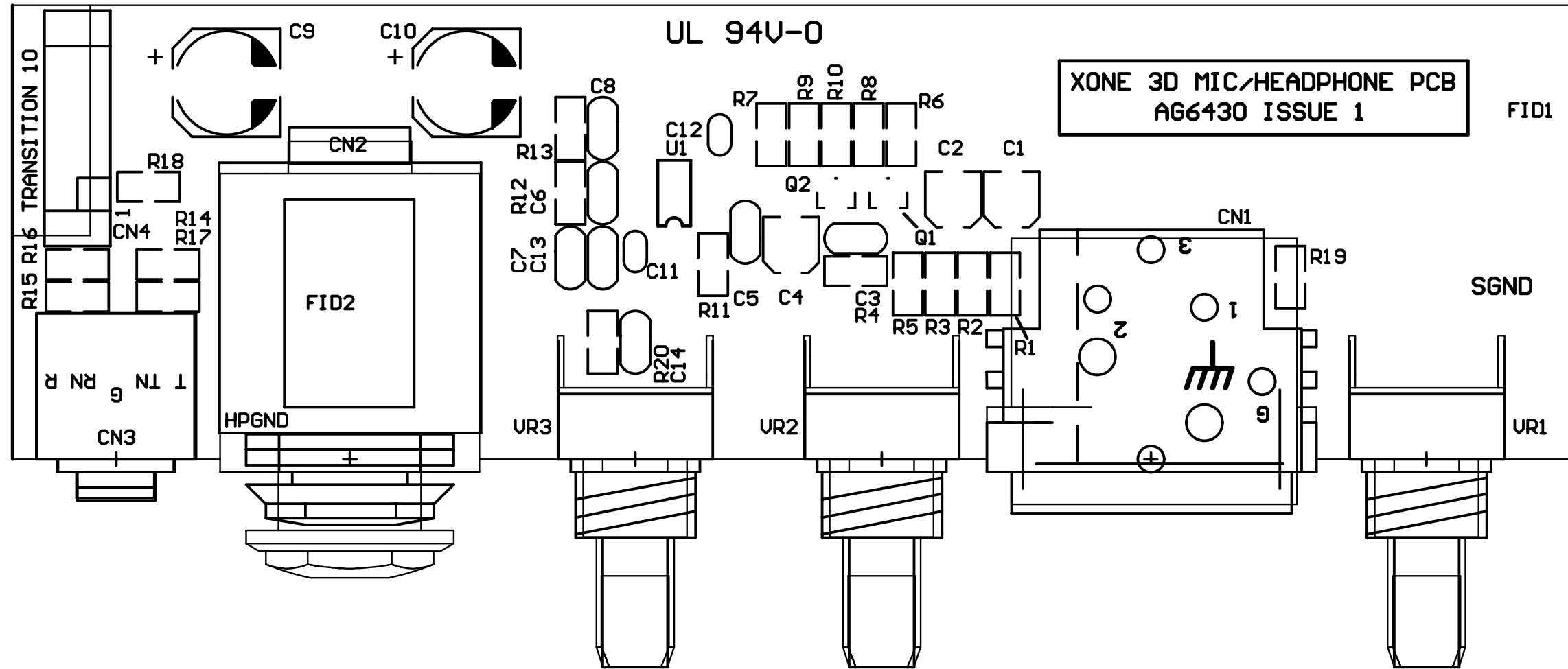
ALLEN&HEATH
 Kernick Industrial Estate,
 Penryn, Cornwall,
 England. TR10 9LU
 Tel: +44 (0)1326 372070
 Fax: +44 (0)1326 370153

ISSUE	BY	DATE	CHK BY
1	JB	18/10/05	????

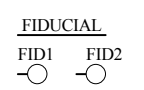
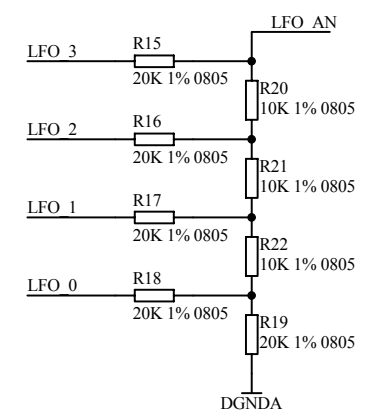
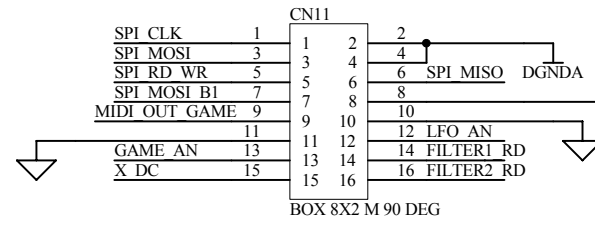
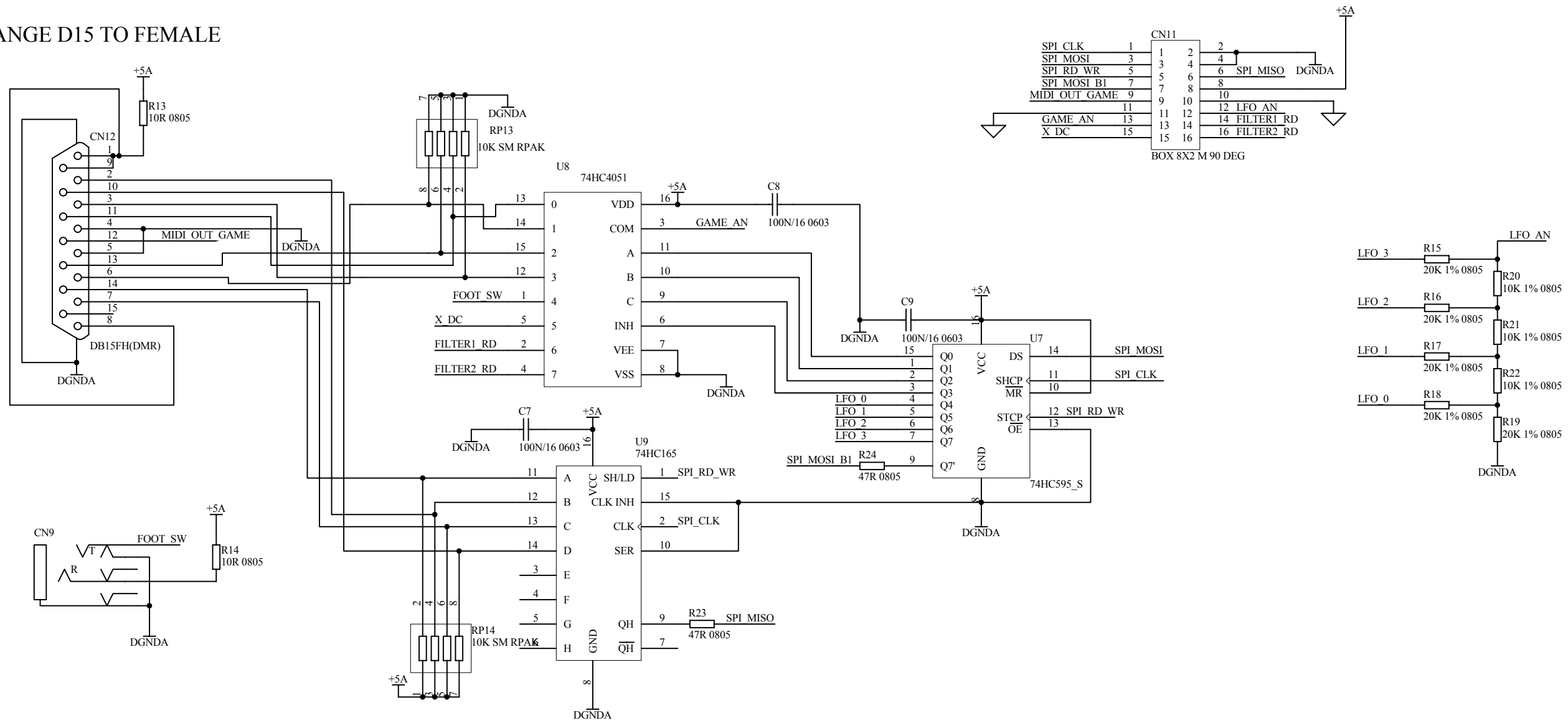
FILE: C6430_1 HEADPHONE SOCKET.Sch

PRINTED: 14:43:42 25-Apr-2006

TITLE: XONE 3D MIC & PHONES PCB
 PAGE:
 DRG No: AG6430 ISSUE: 1 SHEET: 1 OF 1



CHANGE D15 TO FEMALE

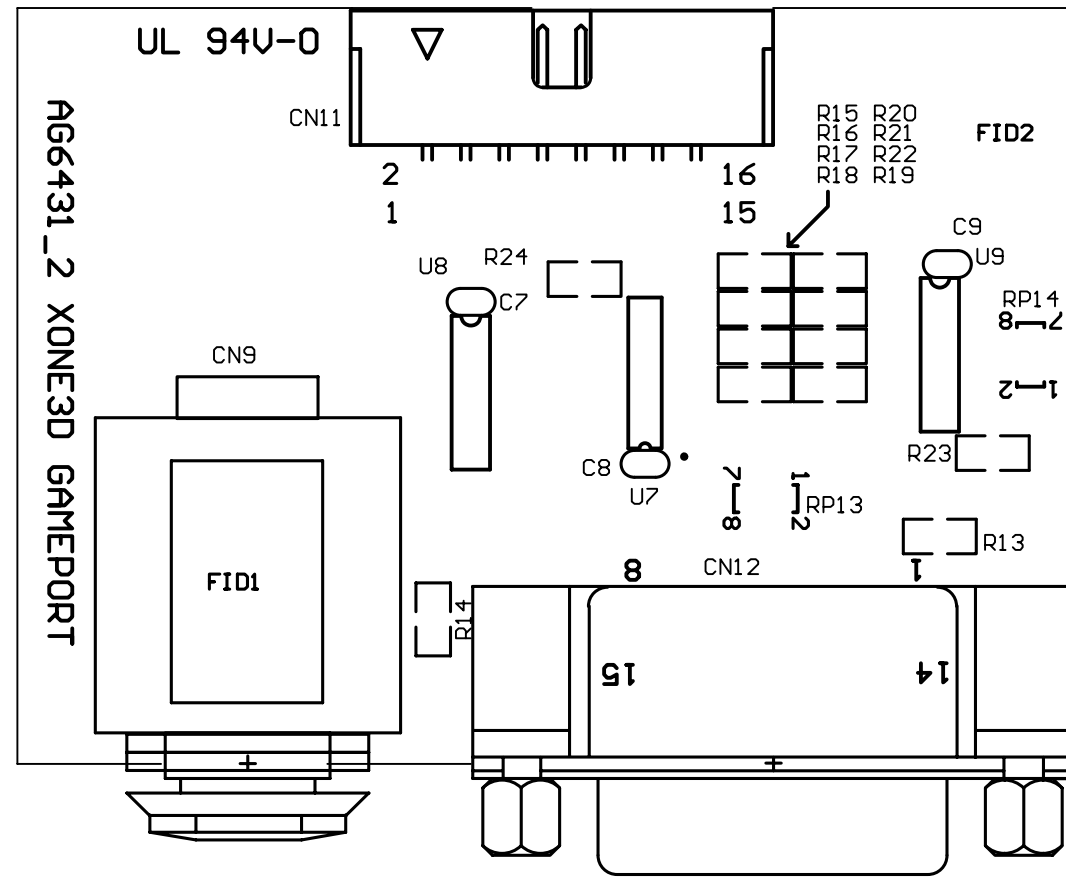


ALLEN&HEATH Kernick Industrial Estate, Penryn, Cornwall, England. TR10 9LU Tel: +44 (0)1326 372070 Fax: +44 (0)1326 370153	ISSUE	BY	DATE	CHK BY
	1	ARJ	14-10-05	

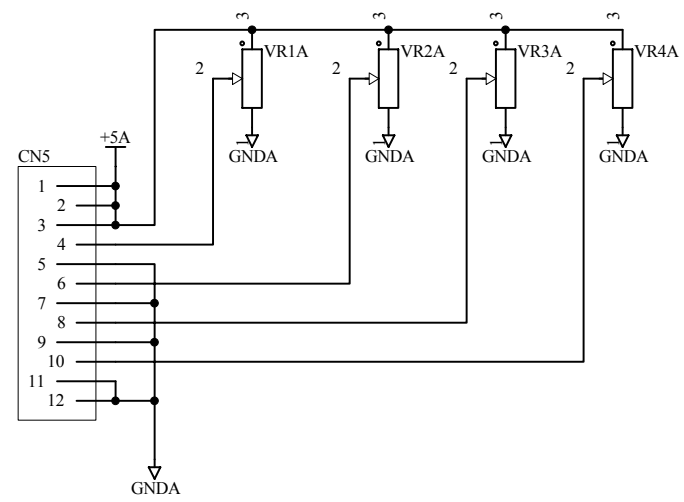
FILE: C6431_2_GAMEPORT.SCH

PRINTED: 14:45:19 25-Apr-2006

TITLE: XONE 3D GAMEPORT PCB
PAGE:
DRG No: C6431 ISSUE: 1 SHEET: 1 OF 1



e
d
c
b
a



ALLEN&HEATH

Kernick Industrial Estate,
Penryn, Cornwall,
England. TR10 9LU
Tel: +44 (0)1326 372070
Fax: +44 (0)1326 370153

ISSUE	BY	DATE	CHK BY
1	ARJ	14-10-05	



FILE: C6432_1 MIDI FADERS.Sch

PRINTED: 14:45:55 25-Apr-2006

TITLE: XONE 3D MIDI FADER

PAGE:

DRG No: C6432 ISSUE: 1 SHEET: 1 OF 1

A

B

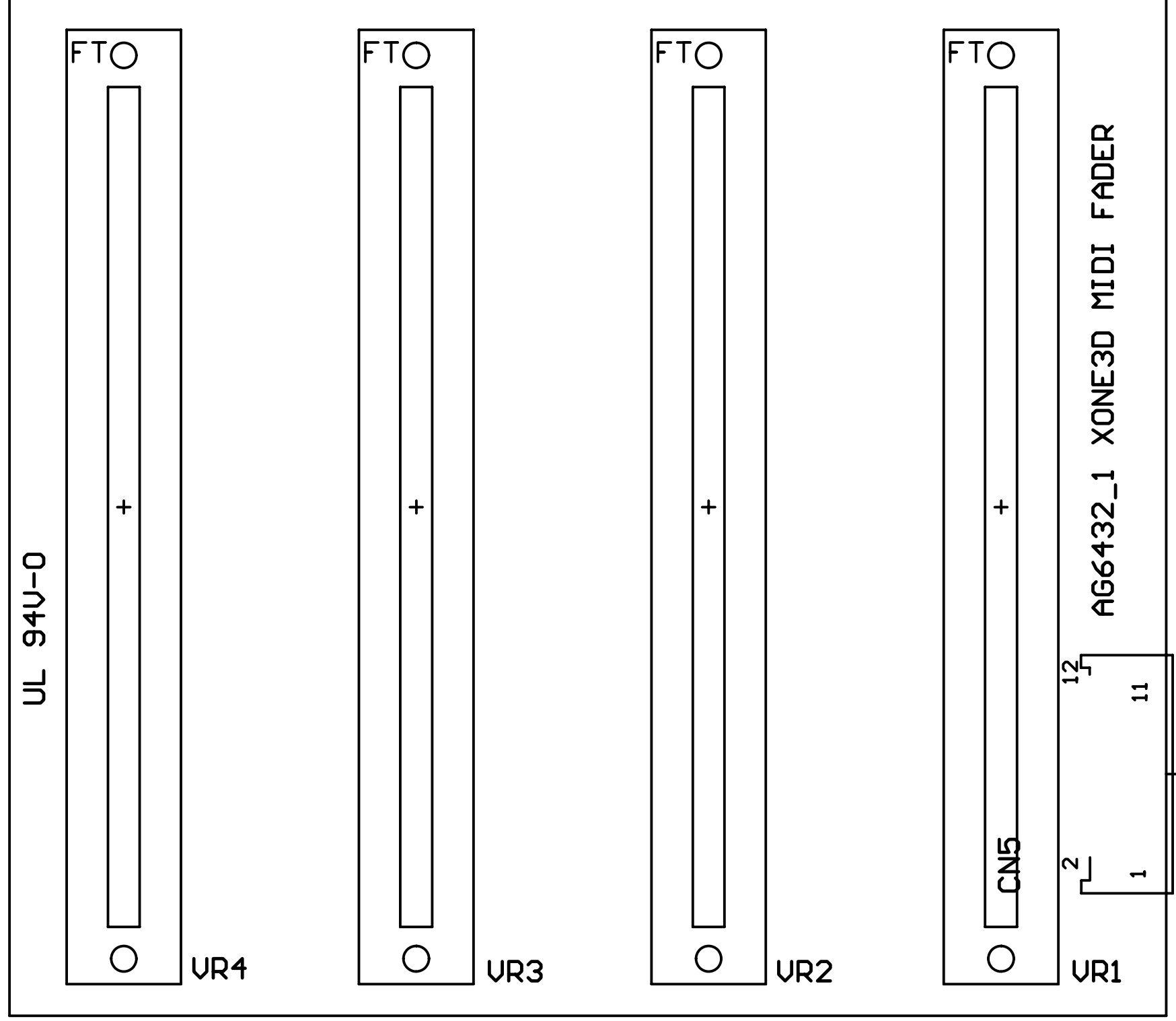
C

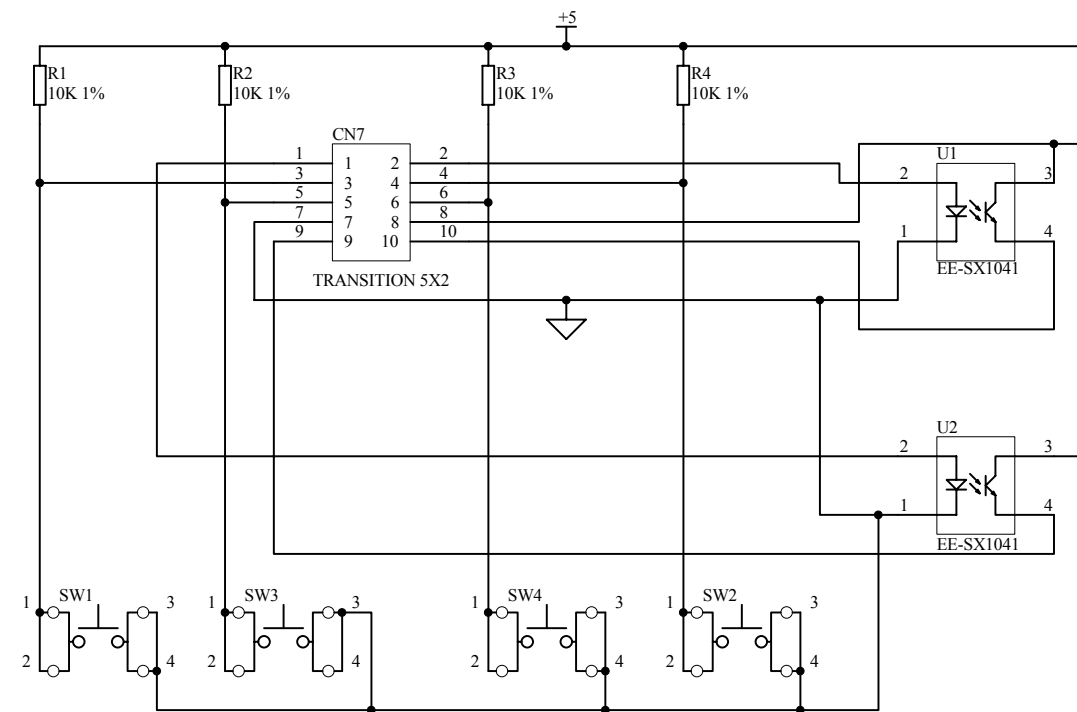
D

E

F

G





ALLEN&HEATH

Kernick Industrial Estate,
Penryn, Cornwall,
England. TR10 9LU
Tel: +44 (0)1326 372070
Fax: +44 (0)1326 370153

ISSUE	BY	DATE	CHK BY

A11 HOLE-AI
A12 HOLE-AI

FILE: C6349_1 JOG.Sch

TITLE: XONE 3D JOG WHEEL

PAGE:

DRG No: C6349 ISSUE: 1 SHEET: 1 OF 1

PRINTED: 14:42:57 25-Apr-2006

