

Allied Radio Corp.

Model: A10506

Chassis:

Year: Pre October 1937

Power:

Circuit:

IF:

Tubes:

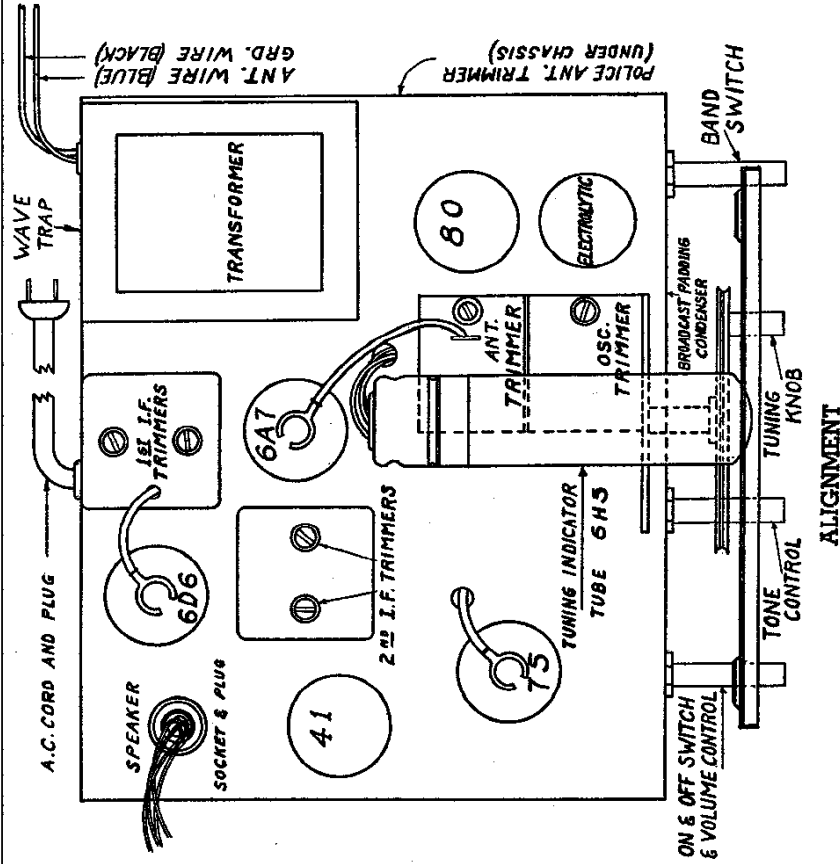
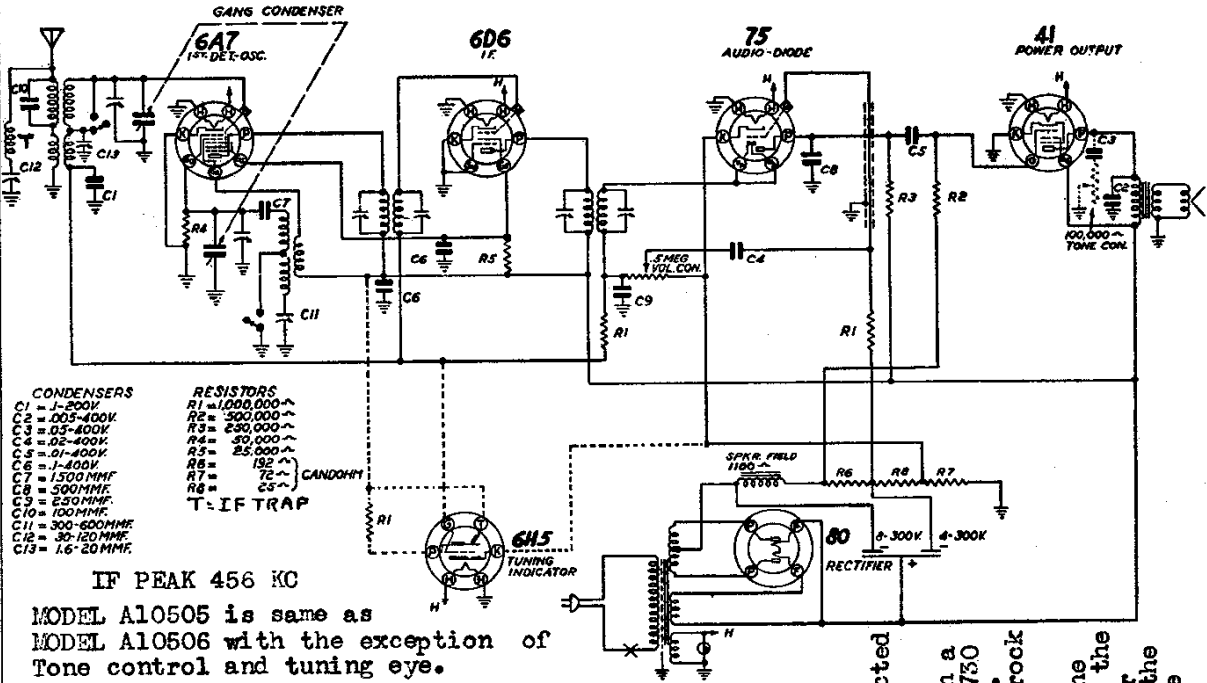
Bands:

Resources

Riders Volume 8 - ALLIED 8-12

MODEL A10505, Chassis 5X
 MODEL A10506, Chassis 6W
 Schematic, Socket
 Trimmers, Alignment

ALLIED RADIO CORP.



IF ALIGNMENT - Wave switch on B.C. position. Generator connected to grid of 6A7 through a .05 MFD Cond. Align four trimmers.

BROADCAST - Connect generator to the Ant. lead (blue) through a 200 MFD cond. Gang condenser at minimum, generator set at 1750 KC, adj. OSC. trimmer to peak. Set generator to 1400 KC, adj. ANT. trimmer to peak. Generator and receiver set to 600 KC, rock gang condenser while padding oscillator to maximum peak.

SHORT WAVE - Generator adjusted to 6000 KC, while rotating the gang condenser from the high frequency end of the dial until the Generator signal is heard, adjust the S.W. ANT. trimmer (under the chassis) for maximum peak. Be sure to align this trimmer on the first signal heard while rotating the gang condenser from the high frequency end of the dial. **REPEAT ADJUSTMENTS.**