

Allied Radio Corp.

Model: A10507

Chassis:

Year: Pre October 1937

Power:

Circuit:

IF:

Tubes:

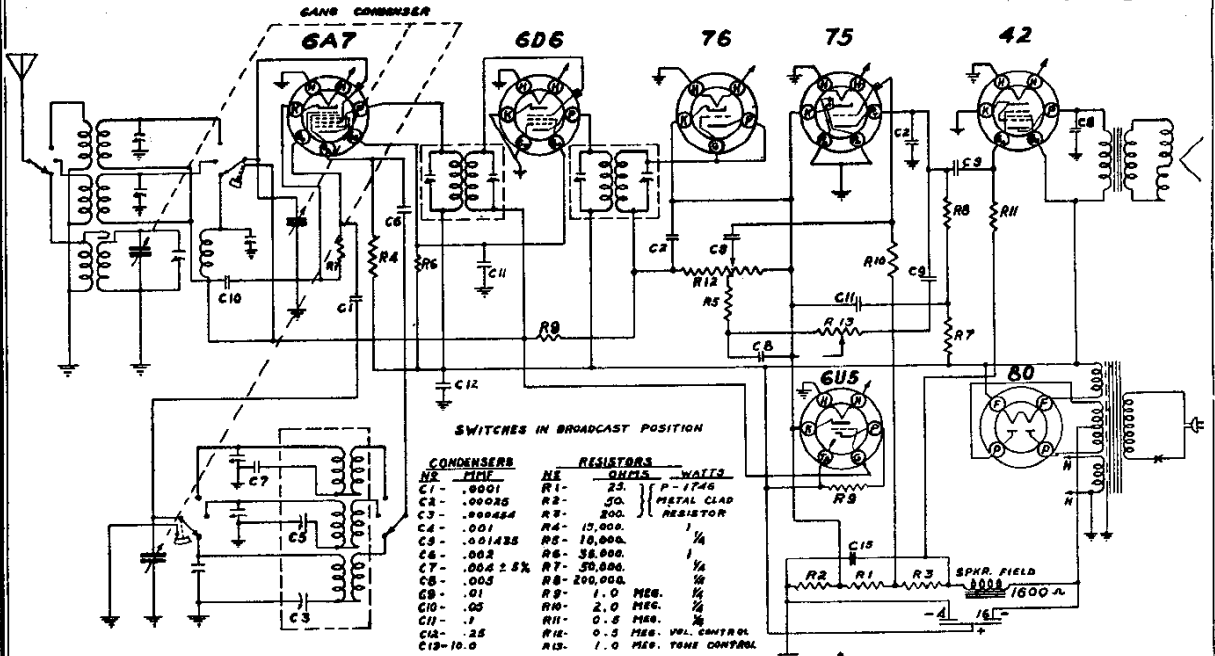
Bands:

Resources

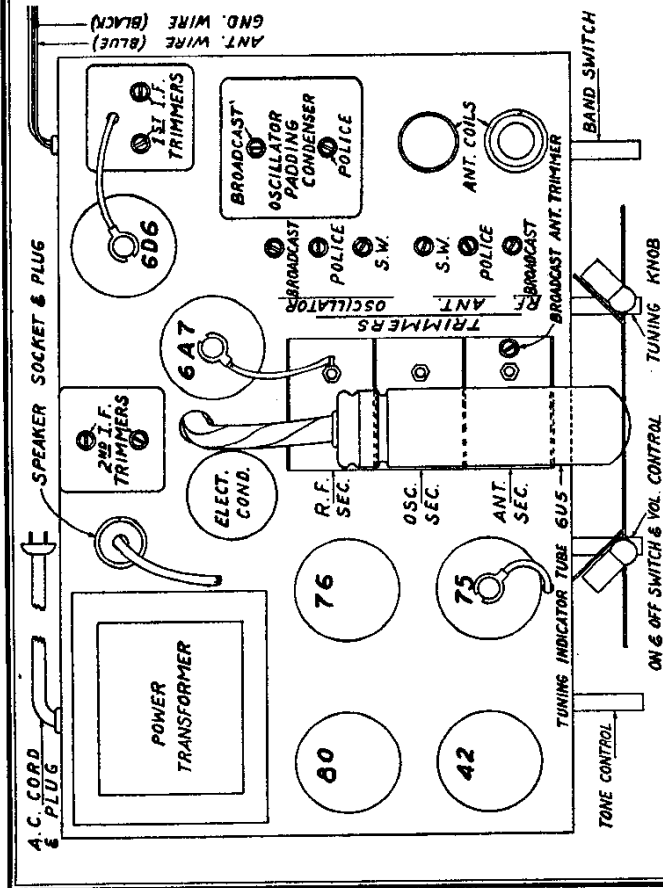
Riders Volume 8 - ALLIED 8-13

ALLIED RADIO CORP.

MODEL A10507
Chassis 7M
Schematic, Socket
Trimmers, Alignment



IF PEAK 456 KC



ALIGNMENT DATA

IF ALIGNMENT - Wave Switch on BC position. Generator connected to grid of 6A7 through .05 MFD Cond. Align 4 Trimmers to Peak.

BROADCAST - Connect Generator to Ant. lead (BLUE) through 100 MFD condenser. Variable condenser to minimum, Generator at 1730 KC, adj. Osc. Trimmer to PEAK. Set Generator to 1400 KC, adj. ANT. Trimmer to PEAK. Generator and Receiver set to 600 KC, rock variable cond., PAD Osc. to maximum PEAK.

POLICE - Replace 200 Mfd Cond. with 400 ohm resistor, Variable Condenser at minimum, Generator at 5600 KC, adj. Police Osc. Trimmer to receive signal, then set Generator at 4000 KC, Adj. Police Trimmer to PEAK. Set Generator at 1800 KC, PAD Osc. with Police Padding Trimmer to peak. Rock variable condenser.

SHORT WAVES - Variable condenser at minimum, Generator at 18100 KC, Adj. Osc. Short Wave Trimmer to PEAK. Generator to 16000 KC and adjust S.W. Ant. Trimmer to PEAK. No padding of Oscillator is provided in this range. Sensitivity should be checked at 6000 KC.

All adjustments should be repeated for maximum performance.