

Allied Radio Corp.

Model: A 10518

Chassis:

Year: Pre August 1939

Power:

Circuit:

IF:

Tubes:

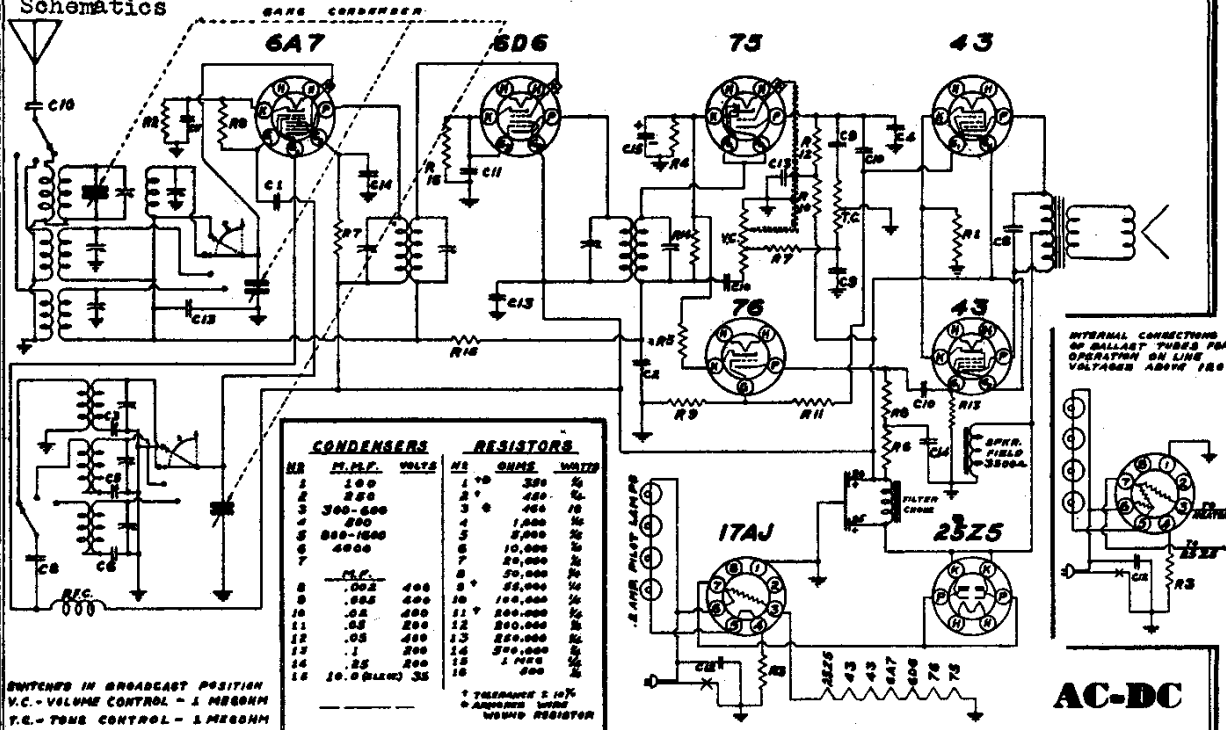
Bands:

Resources

Riders Volume 10 - ALLIED 10-11

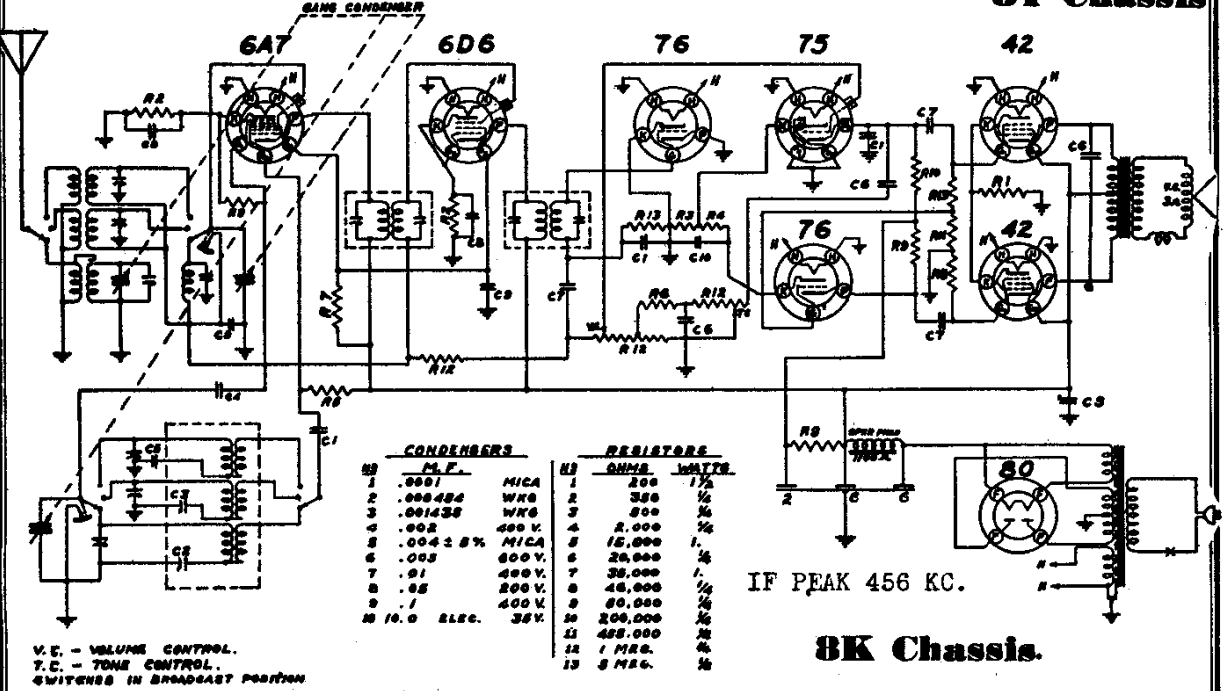
MODELS A-10515 to A-10518
Chassis 8-T
Schematics

MODELS A-10510 to A-10513
incl. ALLIED RADIO CORP. incl. Chassis 8-K



IF PEAK 456 KC.

8T Chassis



8K and 8T are designed to operate over three tuning ranges with a pointer swing of 340°; the broadcast range which extends from 535 to 1730 Kilocycles (KC) (173 to 560 meters), Police and Aviation Band which extends from 1.7 to 5.6 Megacycles (MC) (53 to 176 Meters) and the International Short Wave Band which extends from 5.6 to 18.1 Megacycles (MC) (16.5 to 53 Meters). This latter range is the one which includes the four internationally assigned bands—the 19, 25, 31 and 49 meter bands.