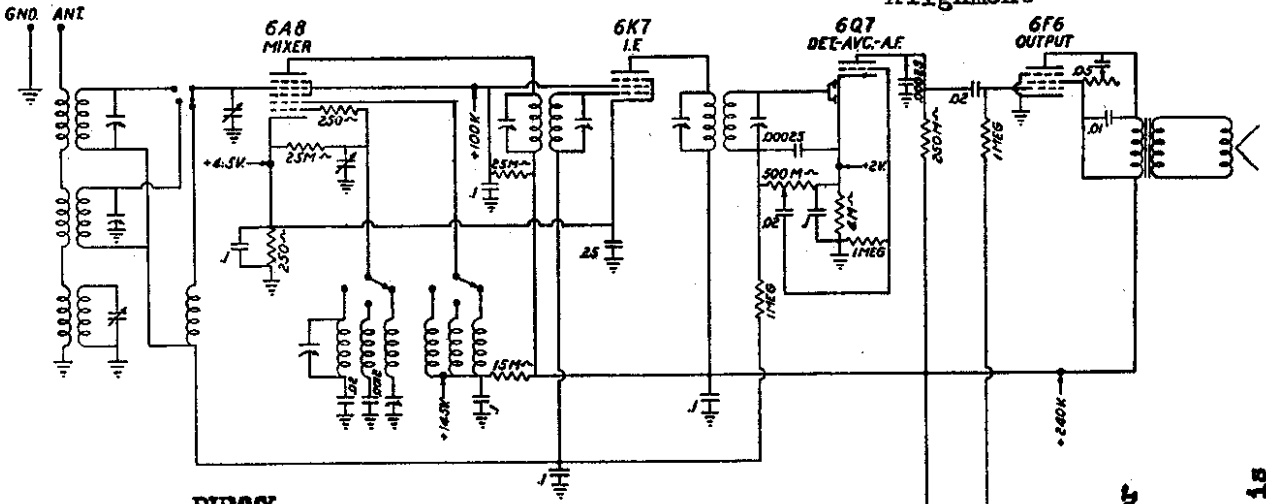


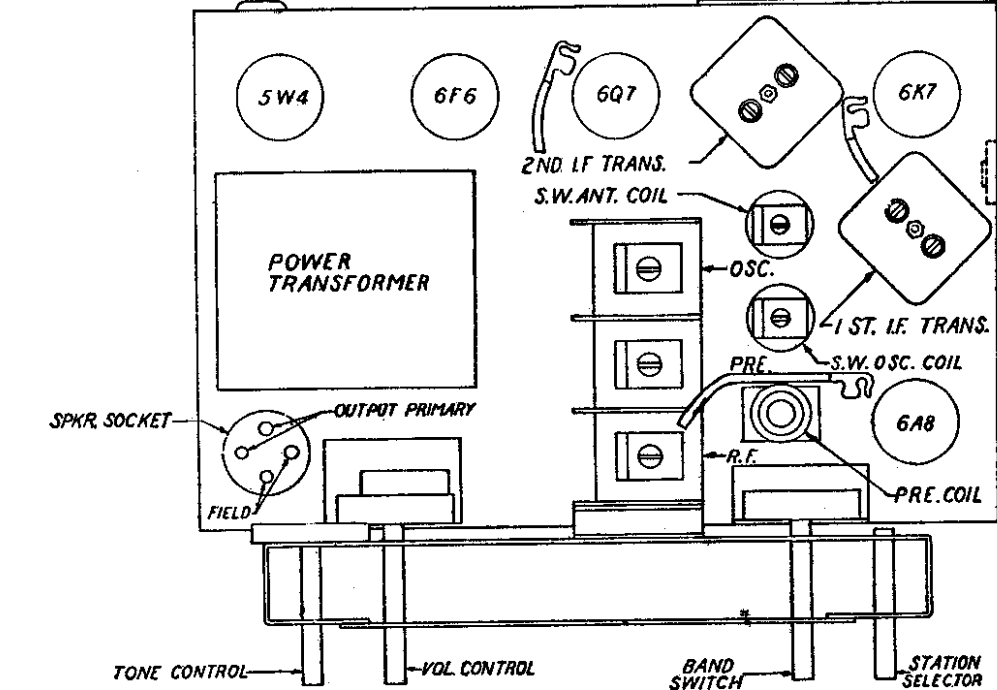
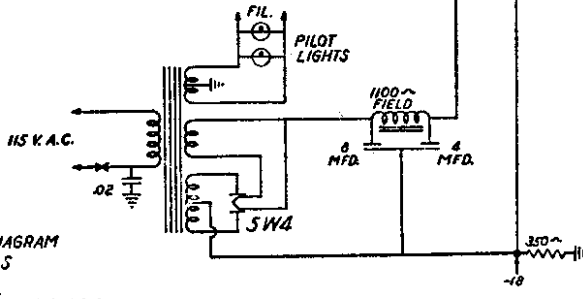
ALLIED RADIO CORP. MODELS A-9857, A-9857E
Chassis A-1
Schematic, Socket, Trimmers
Alignment



DUMMY ANTENNAS
IF: .05 mfd. cond. to 6A8 grid. OSC. gnd., to chassis. B.C.: .0001 mfd. to ant. post "A",



SCHEMATIC DIAGRAM A1 CHASSIS
IF = 456 K.C.
SWITCH SHOWN IN B.C. POSITION
ALL VOLTAGES SHOWN TO GROUND



CONVENTIONAL ALIGNMENT, SEE SPECIAL SECTION VOL. VIII.
IF: Peak all four IF trimmers at 456 kc.
BROADCAST BAND: Adjust oscillator trimmer at 1400kc. Adjust broadcast padder at 600kc. Then repeat adjustment at 1400kc.
FOREIGN BAND: Adjust s.w. oscillator and s.w. antenna coil trimmers for 14000kc peak. (Start with osc. trimmer loose, ant. trimmer tightened).
POLICE BAND: Adjust antenna coil trimmer to resonance at 4000 kc. (Trimmer is located on top of the chassis, right front corner alongside wave band switch).

Five Tube AC Superheterodyne

A1 Chassis

This receiver is designed to operate from a power supply main of 110-120 volts, 60 cycle alternating current (AC). Never plug into a DC outlet.