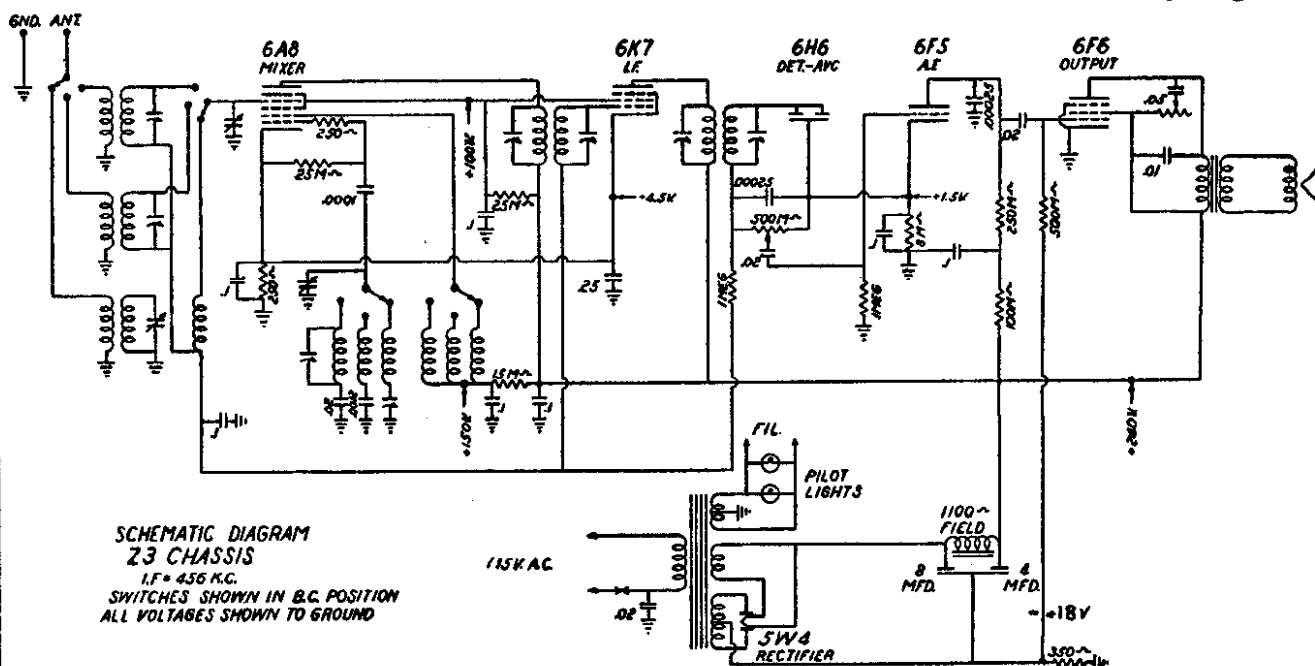
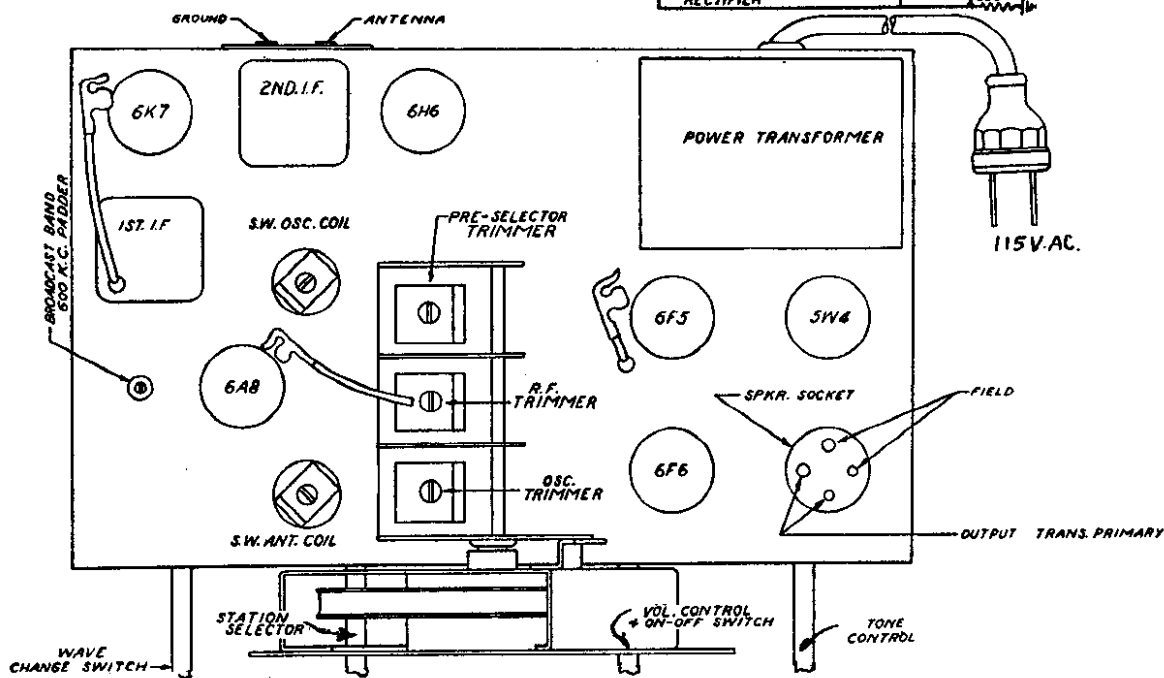


ALLIED RADIO CORP.

MODEL A9870  
Chassis Z3  
Schematic, Socket  
Trimmers, Alignment



SCHMATIC DIAGRAM  
Z3 CHASSIS  
IF = 450 KC.  
SWITCHES SHOWN IN B.C. POSITION  
ALL VOLTAGES SHOWN TO GROUND



ALIGNMENT DATA

**IF ALIGNMENT** - Wave change switch in BC position. Generator connected to grid of 6A8 thru a .05 MFD condenser. trim IF trimmers to maximum peak.

**BROADCAST** - Connect Generator to ANT lead thru 100 MMFD condenser. Receiver and Generator set to 1400 KC, adjust Oscillator trimmer to peak, then ANT trimmer. Pad the oscillator circuit at 600 KC while rocking variable condenser.

**POLICE** - Replace the 100 MMFD condenser with 100 MMFD condenser in series with a 400 ohm resistor and connect generator to ANT lead. Generator and receiver set at 4000 KC, adjust oscillator trimmer and then ANT trimmer (POLICE) to maximum peak. No padding adjustment provided in oscillator circuit.

**FOREIGN** - Set generator and receiver to 14000 KC, adjust oscillator trimmer and Foreign ANT trimmer to peak. Readjust receiver to 13100 KC, generator still at 14000 KC, and check the image frequency response which should be weaker. Adjustments should be started with the oscillator trimmer loose and the Antenna tight.