

Allied Radio Corp.

Model: 10 Tube Super

Chassis:

Year: Pre June 1933

Power:

Circuit:

IF:

Tubes:

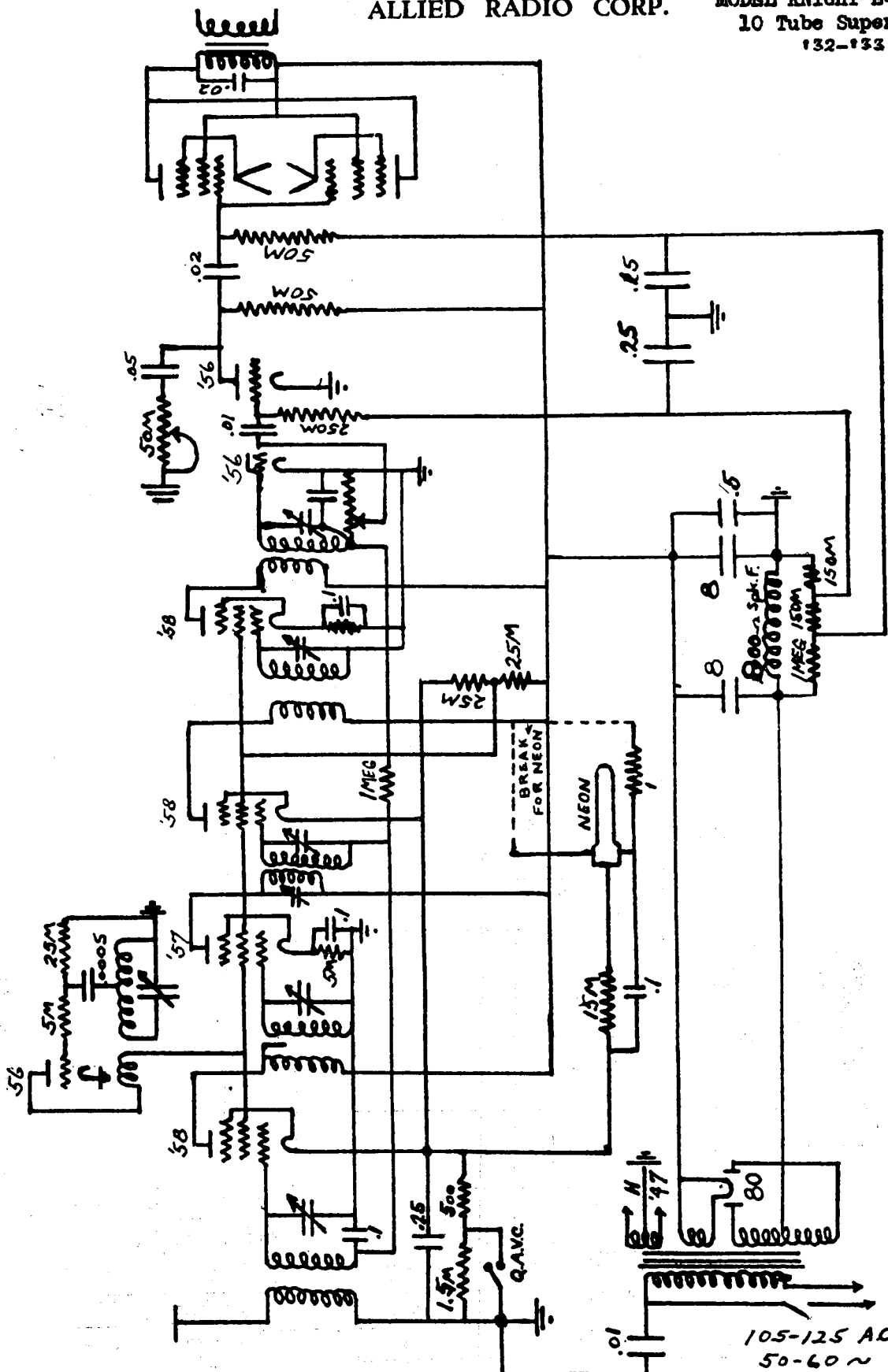
Bands:

Resources

Riders Volume 3 - ALLIED 3-13

ALLIED RADIO CORP.

MODEL KNIGHT E-9831
10 Tube Super
132-133



IF PEAK 177.6 KC