

## Allied Radio Corp.

**Model:** 12 Tube Super

**Chassis:**

**Year:** Pre June 1933

**Power:**

**Circuit:**

**IF:**

**Tubes:**

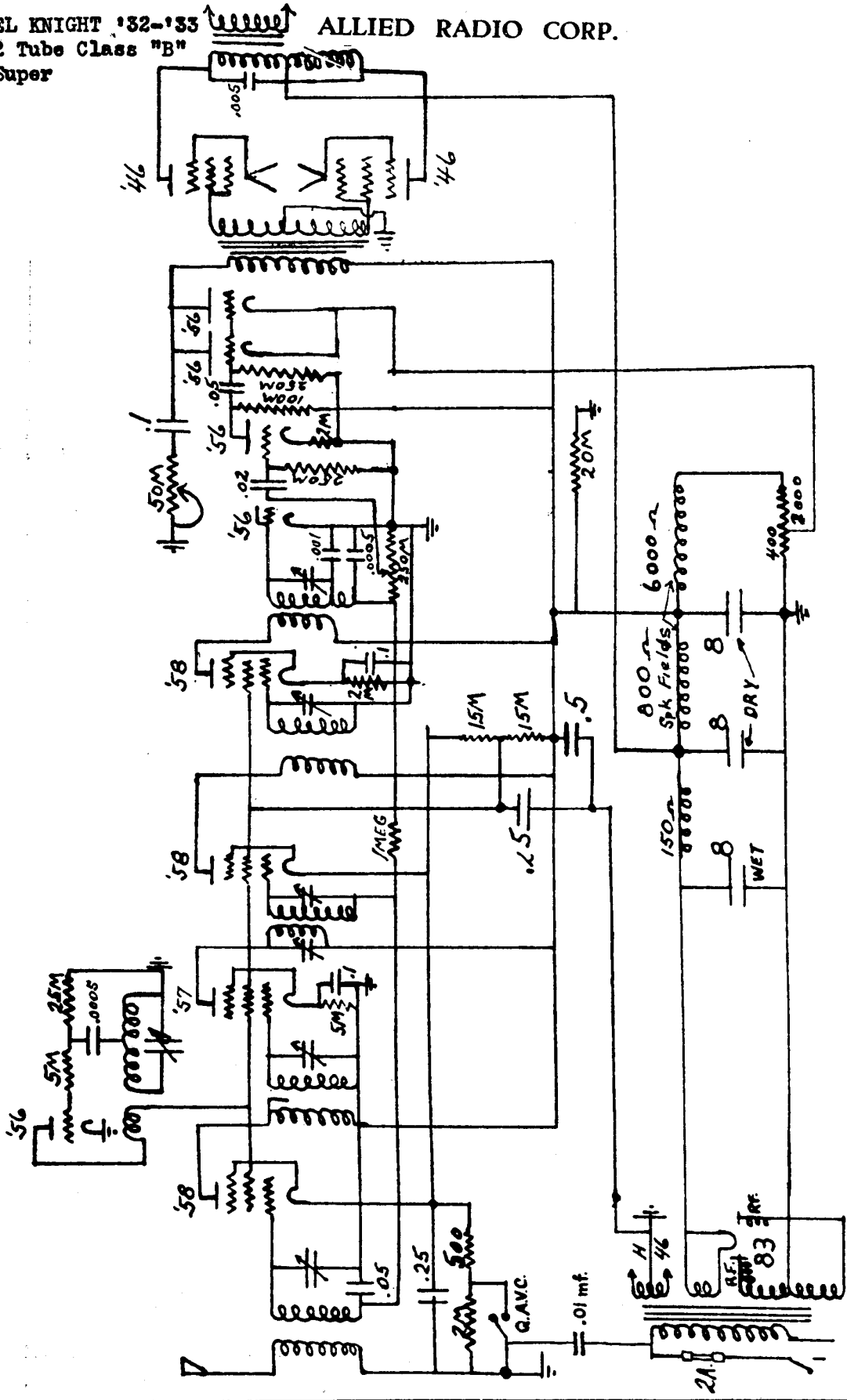
**Bands:**

Resources

**Riders Volume 3 - ALLIED 3-14**

MODEL KNIGHT '32-'33  
12 Tube Class "B"  
Super

ALLIED RADIO CORP.



IF PEAK 177.5 KC