

Allied Radio Corp.

Model: 5H-608

Chassis:

Year: Pre 1952

Power:

Circuit:

IF:

Tubes:

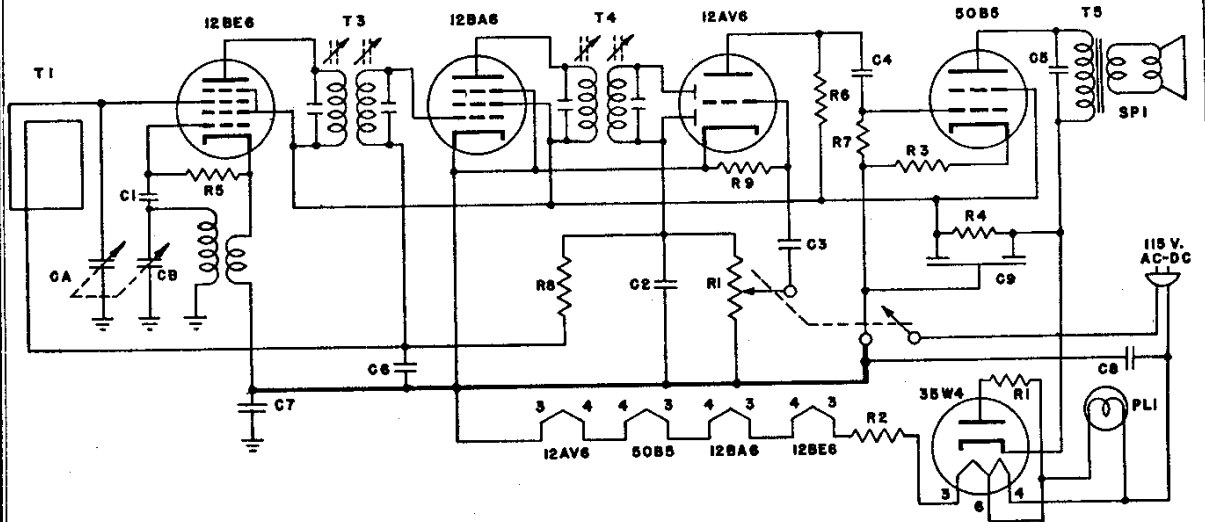
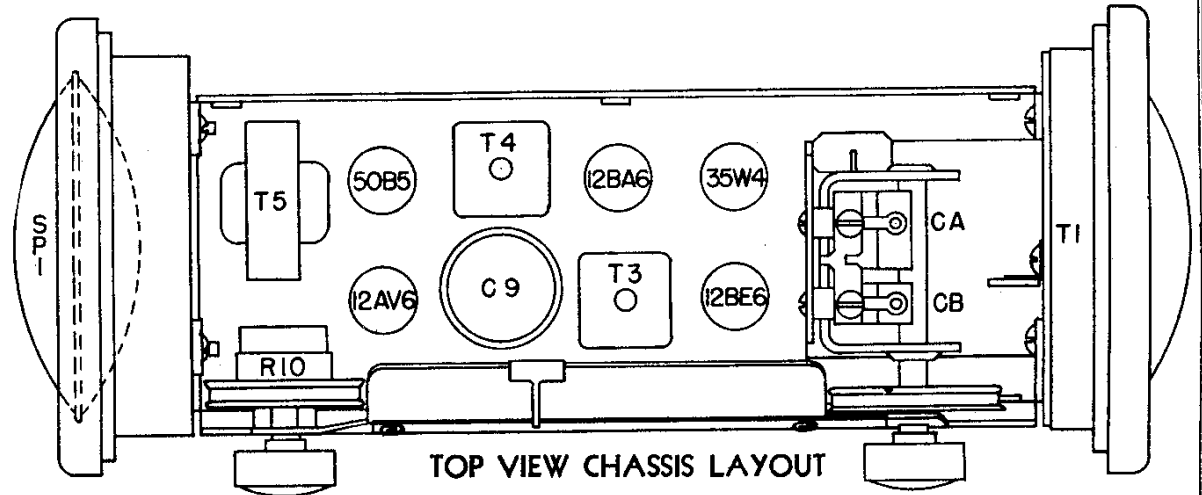
Bands:

Resources

Riders Volume 22 - ALLIED 22-9

MODELS 5H-607,
5H-608

- Band Coverage: 1750 KC to 535 KC.
- Operates on 115 Volts—A. C. or D. C.
- Four tubes plus rectifier {
 - 1-12BE6 Def. Osc., 1-12BA6 I. F. Amp.,
 - 1-12AV6 2nd Det. 1st Audio, 1-50B5 Output,
 - 1-35W4 Rect.



R1 - 25 OHM 1/2 WATT RESISTOR
 R2 - 100 " 5 " "
 R3 - 180 " 1/2 " "
 R4 - 1500 " " " "
 R5 - 25K " " " "
 R6 - 500M " " " "
 R7 - 500M " " " "
 R8 - 5MEG. " " " "
 R9 - 5MEG. " " " "
 R10 - 500M " POT. WITH SWITCH

C1 - .0001 MFD. 400V. CONDENSER
 C2 - .0001 " " "
 C3 - .01 " " "
 C4 - .01 " " "
 C5 - .01 " " "
 C6 - .05 " 200V. " "
 C7 - .1 " 400V. " "
 C8 - .1 " " " "
 C9 - 50+50 " 150V. " "

T1 - LOOP ANTENNA
 T2 - OSC. COIL
 T3 - 455 KC. I.F.
 T4 - 455 KC. I.F.
 T5 - O. P. TRANSFORMER
 PL1 - NO. 44 PILOT LAMP
 SPI - PILLOW SPEAKER