

Allied Radio Corp.

Model: 80-A. C.

Chassis:

Year: Pre October 1936

Power:

Circuit:

IF:

Tubes:

Bands:

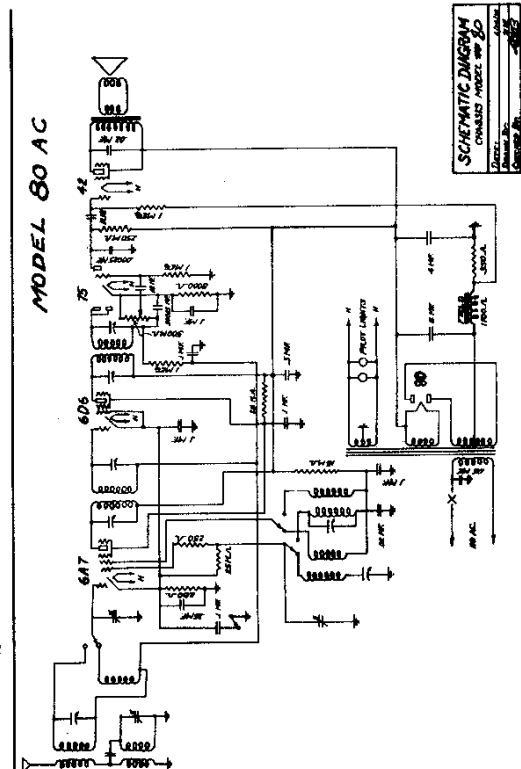
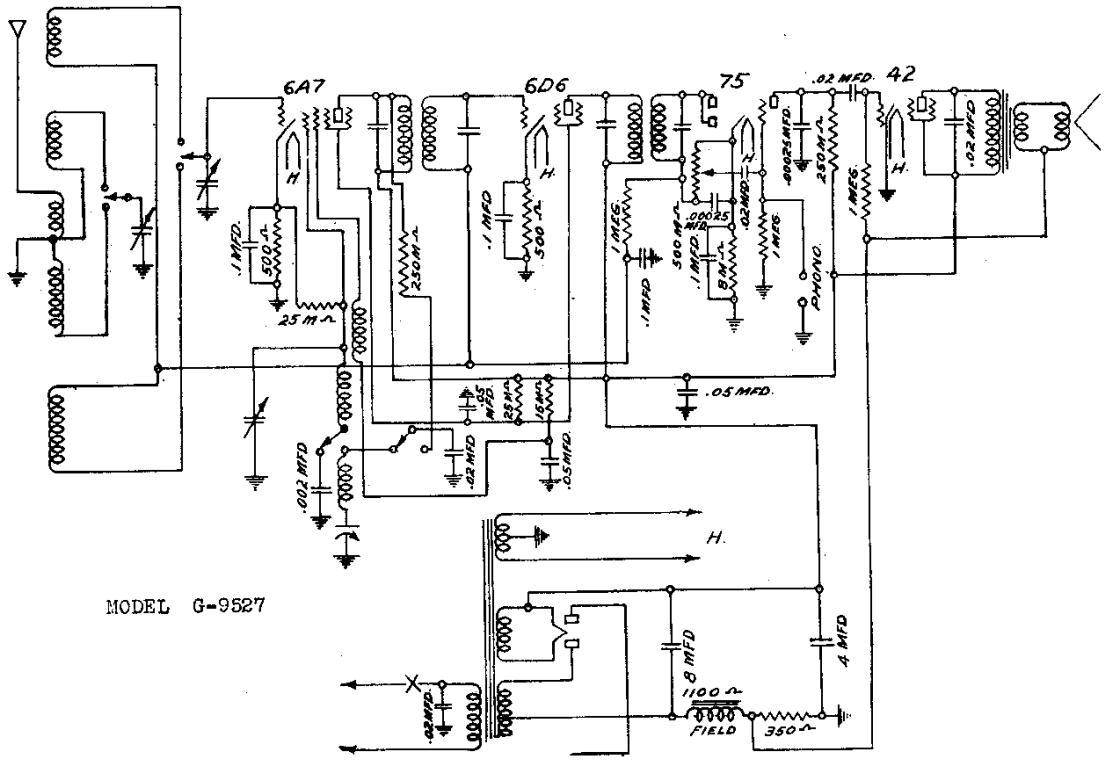
Resources

Riders Volume 7 - ALLIED 7-1

ALLIED RADIO CORP.

MODEL 80-AC
MODEL G-9527
Schematics

PART NO.	DESCRIPTION	MODEL 80 AC	LIST PRICE
701	FILTER CONDENSER		2.40 EACH
702	1 BY-PASS CONDENSER		.14
703	.05		.14
704	.05		.14
705	.25		.35
706	.5		.70
707	.00025		.20
708	1-WATT RESISTOR		.20
709	MISCELLANEOUS RESISTORS (SEE DIAGRAM)	.20	
710	350 OHM POWER RESISTOR		.30
711	VOLUME CONTROL		1.25
712	SHORT WAVE AND BROADCAST SWITCH		.90
713	OSCILLATOR COIL 456 KC		.50
714	POWER TRANSFORMER		4.25
715	3-GANG CONDENSER		4.50
716	1ST I F TRANSFORMER		2.10
717	2ND I F TRANSFORMER		2.10
718	PRE SELECTOR COIL		1.25
719	PILOT LAMP		.25
720	TRIMMER		.20
721	KNOB (LARGE)		.20
722	PILOT LIGHT SOCKET		.15
723	SPEAKER AND VOICE COIL		6.00
724	6" DIAPHRAM		.30
725	3-W. OSCILLATOR COIL		.60
726	DIAL DRIVE DISC		.60
727	CELLULOID DRIVE DISC		.50
728	DIAL FACE		.60
729	DIAL POINTER		.12
730	CONVEX DIAL CRYSTAL		.30



SCHEMATIC DIAGRAM
CHANGED MODEL 80-AC
DATE: 10/15/50
BY: [Signature]