

Allied Radio Corp.

Model: 80-A. C.

Chassis:

Year: Pre October 1936

Power:

Circuit:

IF:

Tubes:

Bands:

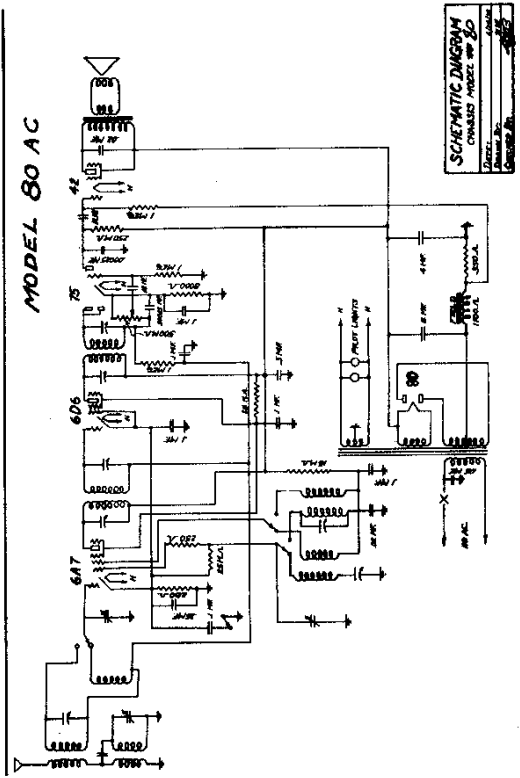
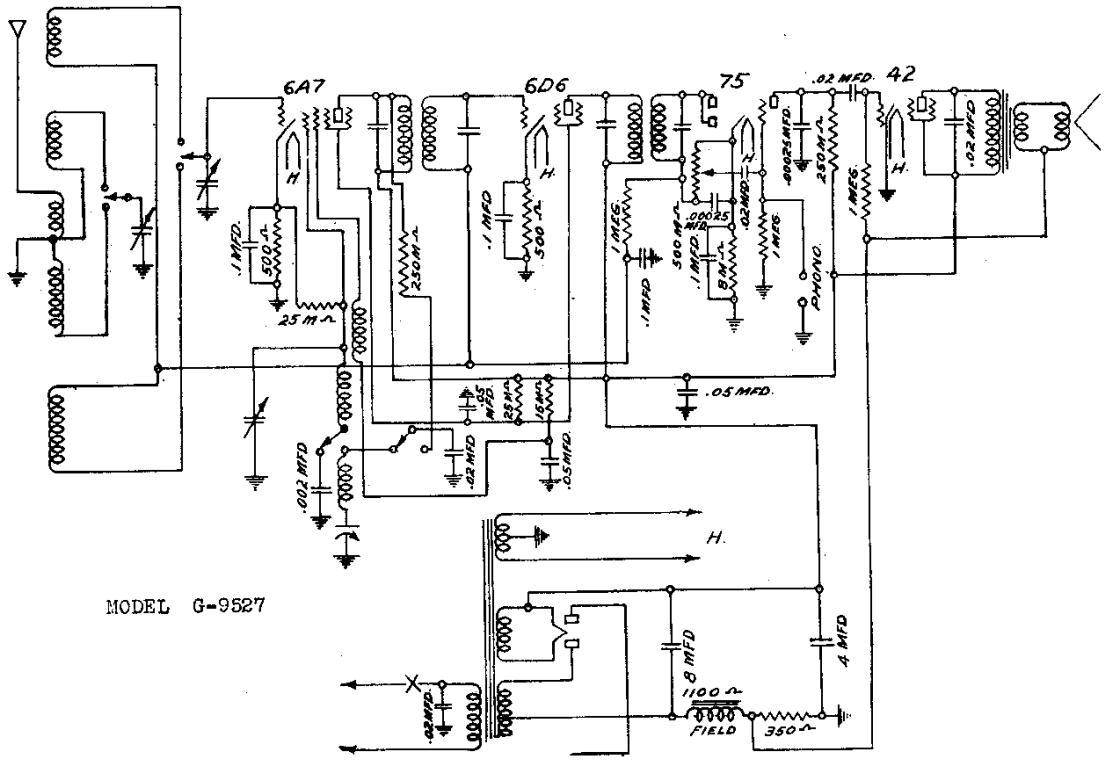
Resources

Riders Volume 7 - ALLIED 7-1

ALLIED RADIO CORP.

MODEL 80-AC
MODEL G-9527
Schematics

PART NO.	DESCRIPTION	MODEL 80 AC	LIST PRICE
701	FILTER CONDENSER		2.40 EACH
702	1 BY-PASS CONDENSER		.14
703	.05		.14
704	.05		.14
705	.25		.15
706	.25		.35
707	.5		.20
708	.00025		.20
709	1-WATT RESISTOR		.20
710	MISCELLANEOUS RESISTORS (SEE DIAGRAM)		.20
711	350 OHM POWER RESISTOR		.30
712	VOLUME CONTROL		1.25
713	SHORT WAVE AND BROADCAST SWITCH		.75
714	OSCILLATOR COIL 456 KC		.90
715	POWER TRANSFORMER		4.25
716	3-GANG CONDENSER		4.50
717	1ST I F TRANSFORMER		2.10
718	2ND I F TRANSFORMER		2.10
719	PRE SELECTOR COIL		1.25
720	PILOT LAMP		.25
721	TRIMMER		.20
722	KNOB (LARGE)		.20
723	PILOT LIGHT SOCKET		.15
724	SPEAKER AND VOICE COIL		6.00
725	6" DIAPHRAM		.30
726	3-W. OSCILLATOR COIL		.60
727	DIAL DRIVE DISC		.60
728	CELLULOID DRIVE DISC		.50
729	DIAL FACE		.60
730	DIAL POINTER		.12
731	CONVEX DIAL CRYSTAL		.30



SCHEMATIC DIAGRAM
CHANGED MODEL 80-AC
DATE: 1-15-38
BY: [Signature]