

Allied Radio Corp.

Model: 9619

Chassis:

Year: Pre October 1936

Power:

Circuit:

IF:

Tubes:

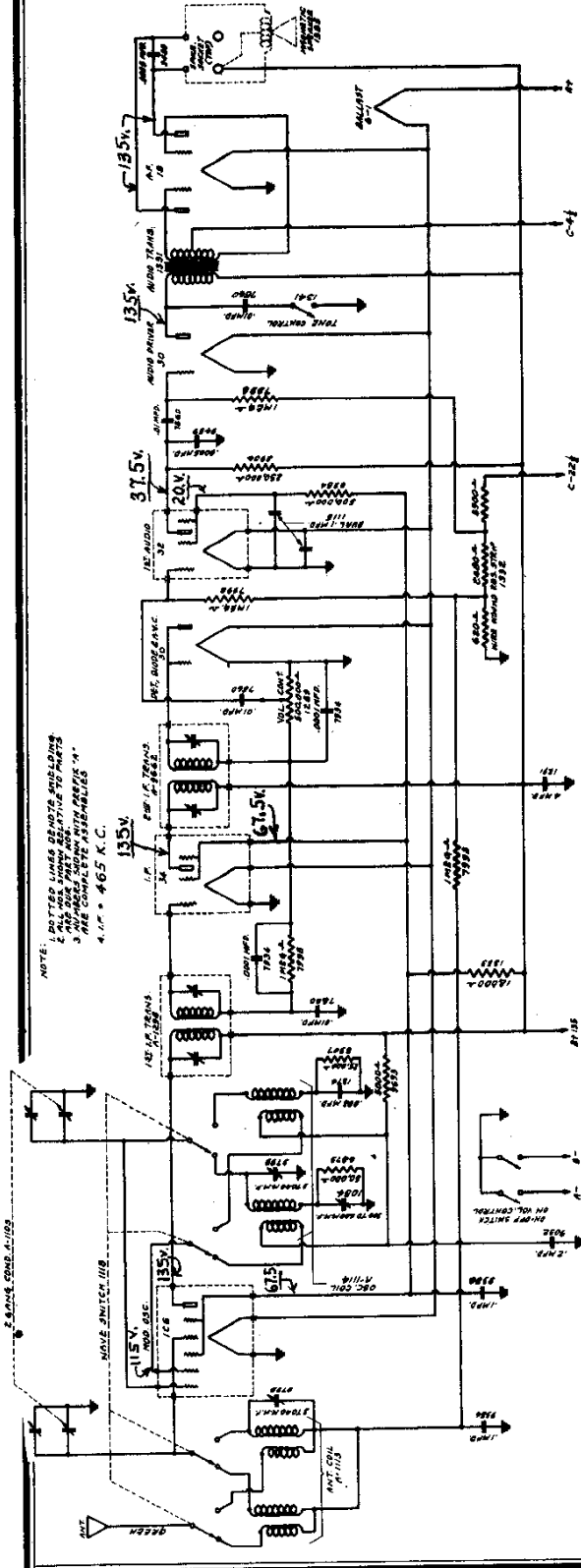
Bands:

Resources

Riders Volume 7 - ALLIED 7-5

ALLIED RADIO CORP.

MODEL S G-9617, 9619, 9621,
9623, 9625, 9627
Schematic, Voltage,
Alignment, Parts List



- NOTE: DOTTED LINES DENOTE WELDING POINTS. ALL PARTS SHOWN IN THIS SCHEMATIC ARE TO BE USED IN THE COMPLETE ASSEMBLY. A.C. = 465 K.C.
- NOTE: Two type intermediate transformer trimmers have been used in this receiver. One type has two parallel plates in the top of the shield, one for each trimmer. The other type has a brass bar nut for adjusting one trimmer, the other intermediate trimmer being adjusted with the trimmer screw located inside of the brass bar nut. Regardless of which type trimmer is used the procedure is the same.
- TO ALIGN THE VARIABLE CONDENSER: It is important when aligning to follow the procedure carefully, otherwise the receiver will lack sensitivity and the dial calibration will be incorrect.
1. Connect the high output side of the oscillator to the receiver antenna lead and the ground to the chassis.
 2. Place the band selector switch for operation on the short wave band, tune the receiver to exactly 15 megacycles on the dial and set the test oscillator frequency to exactly 15 megacycles. THEN TUNE IN THE 15 MEGACYCLE SIGNAL BY ADJUSTING THE TRIMMER MOUNTED ON TOP OF THE OSCILLATOR SECTION OF THE GANG CONDENSER TO MAXIMUM OUTPUT.
 - Looking at the front of the receiver the oscillator section is the rear section of the gang condenser.
 3. Set the band selector switch for operation on the broadcast band, adjust the test oscillator frequency to 1400 kilocycles and set the receiver dial to exactly 1400 kilocycles. NEXT, BRING IN THE 1400 KILOCYCLE SIGNAL TO MAXIMUM OUTPUT BY ADJUSTING THE TRIMMER LOCATED UNDERNEATH AND NEAR THE REAR FRONT OF THE CHASSIS.
 4. After making this adjustment tune the dial to 1720 kilocycles and set the oscillator frequency to 1720 kilocycles. If the 1720 kilocycle signal cannot be received reduce the 1400 kilocycle trimmer capacity until the 1720 kilocycle signal is brought in.
 5. Next set the receiver dial and test oscillator to exactly 1400 kilocycles, and adjust the trimmer located on the front section of the gang condenser for maximum sensitivity.
 6. Leave the band selector switch for operation on the broadcast band, tune the receiver and set the oscillator to approximately 600 kilocycles. Then adjust the 600 kilocycle padding condenser, which is located on and accessible through the small hole in the front of the chassis, for maximum sensitivity. As this adjustment is quite critical it is necessary to rock the condenser slightly to the right and left to find the point of greatest sensitivity.
 7. Place the band selector switch for operation on the short wave band, adjust the test oscillator frequency to exactly 15 megacycles and set the receiver dial to 15 megacycles. Turn the receiver on its back with the dial up and adjust the trimmer, which is mounted on the top of the coil underneath and near the right hand side of the chassis, for maximum output. Be sure to rock the condenser slightly to the right and left when making this adjustment.

PART NUMBER	LIST PRICE
1113 Antenna Coil	\$1.63
1114 Oscillator Coil	1.63
1298 1st I. F. Transformer	2.08
9662 2nd I. F. Transformer	2.08
1331 Audio Transformer	1.49
1291 4 Mfd. Wet Electrolytic Condenser	.85
1118 Dual .1 Mfd. 200 Volt Condenser	.37
7860 .01 Mfd. 400 Volt Condenser	.25
9032 .3 Mfd. 200 Volt Condenser	.25
9439 .0005 Mfd. Mica Block Condenser	.31
1374 .002 Mfd. Mica Block Condenser	.31
1374 .002 Mfd. Mica Block Condenser	.31
1312 Wire Wound Resistor Strip	.15
7938 1 Meg Ohm 1/3 Watt Resistor	.19
6884 250,000 Ohm 1/3 Watt Resistor	.19
6878 50,000 Ohm 1/3 Watt Resistor	.19
1333 18,000 Ohm 1/2 Watt Resistor	.19
9985 5,000 Ohm 1/2 Watt Resistor	.19
9907 25,000 Ohm 1/3 Watt Resistor	.19
1392 6 Conductor Battery Cable	.66
1289 Volume Control with D. P. S. T. Switch	1.24
1370 Tone Control Switch	.40
9546 One Color Naming Dial	.40
1378 Two Color Naming Dial	.40
1143 Two Gang Condenser	3.93
1341 Tube Shield	.15
9988 Tube Shield	.11
1053 Padding Condenser	.50
1054 Padding Condenser	.55
9799 Trimmer Condenser	1.00
6-1 Voltage Regulator Tube	3.00
1179 Knob, Large	.16
1180 Knob, Small	.17
9758 Knob, Small	.14