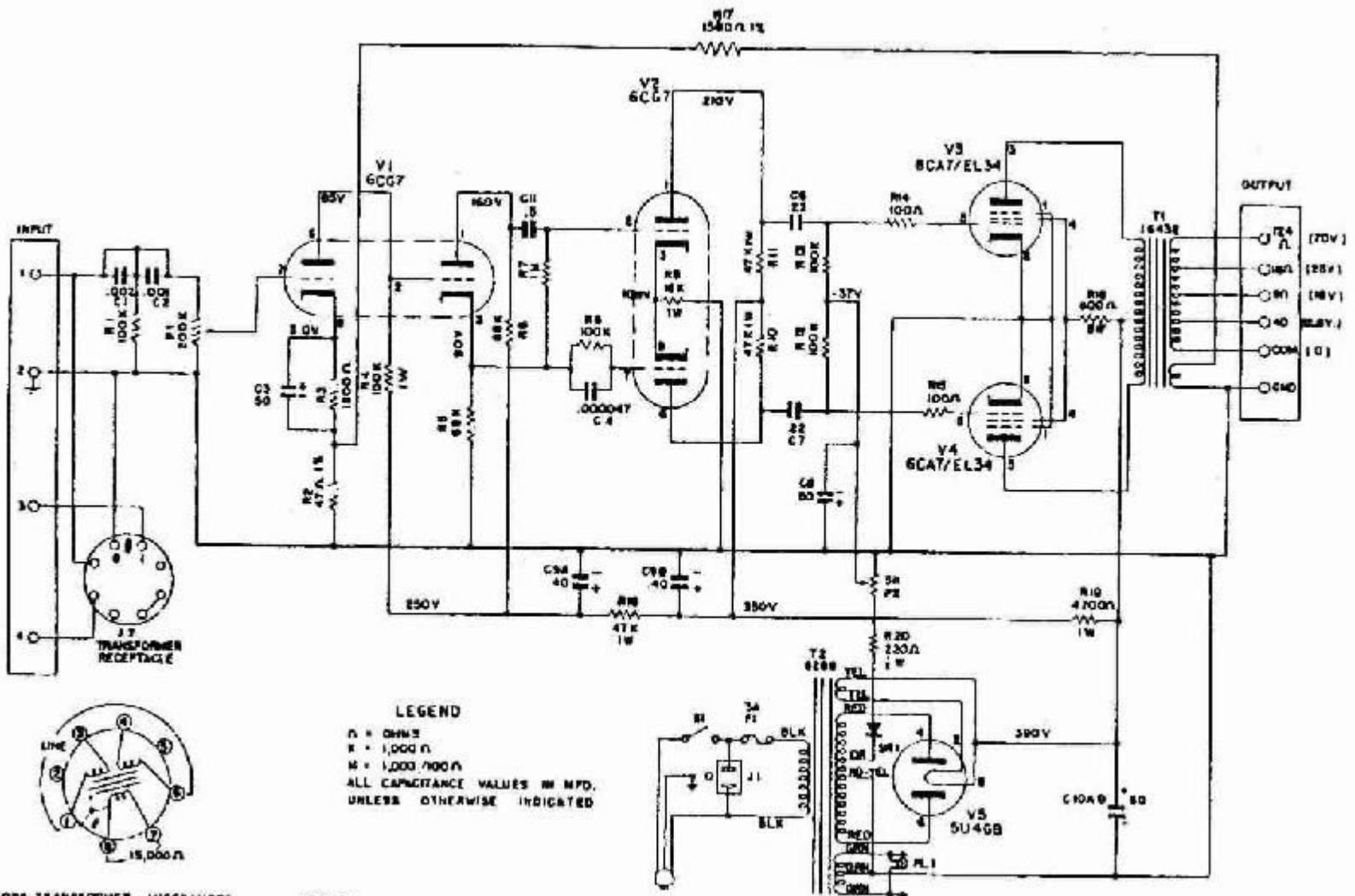


ALTEC 1568A



LEGEND
 Ω = OHMS
 K = 1,000 Ω
 M = 1,000,000 Ω
 ALL CAPACITANCE VALUES IN MFD.
 UNLESS OTHERWISE INDICATED



1500VA TRANSFORMER IMPEDANCES

LINE	3-4	22
150 Ω	1-4, 3-3	8
50 Ω	3-4	4

NOTE:
 AMPLIFIER IS SHIPPED WITH C1 & C2 STRAPPED OUT. WHEN USED WITH DRIVEN LOUDSPEAKER WITHOUT NETWORK OUT STRAPS AS REQUIRED -