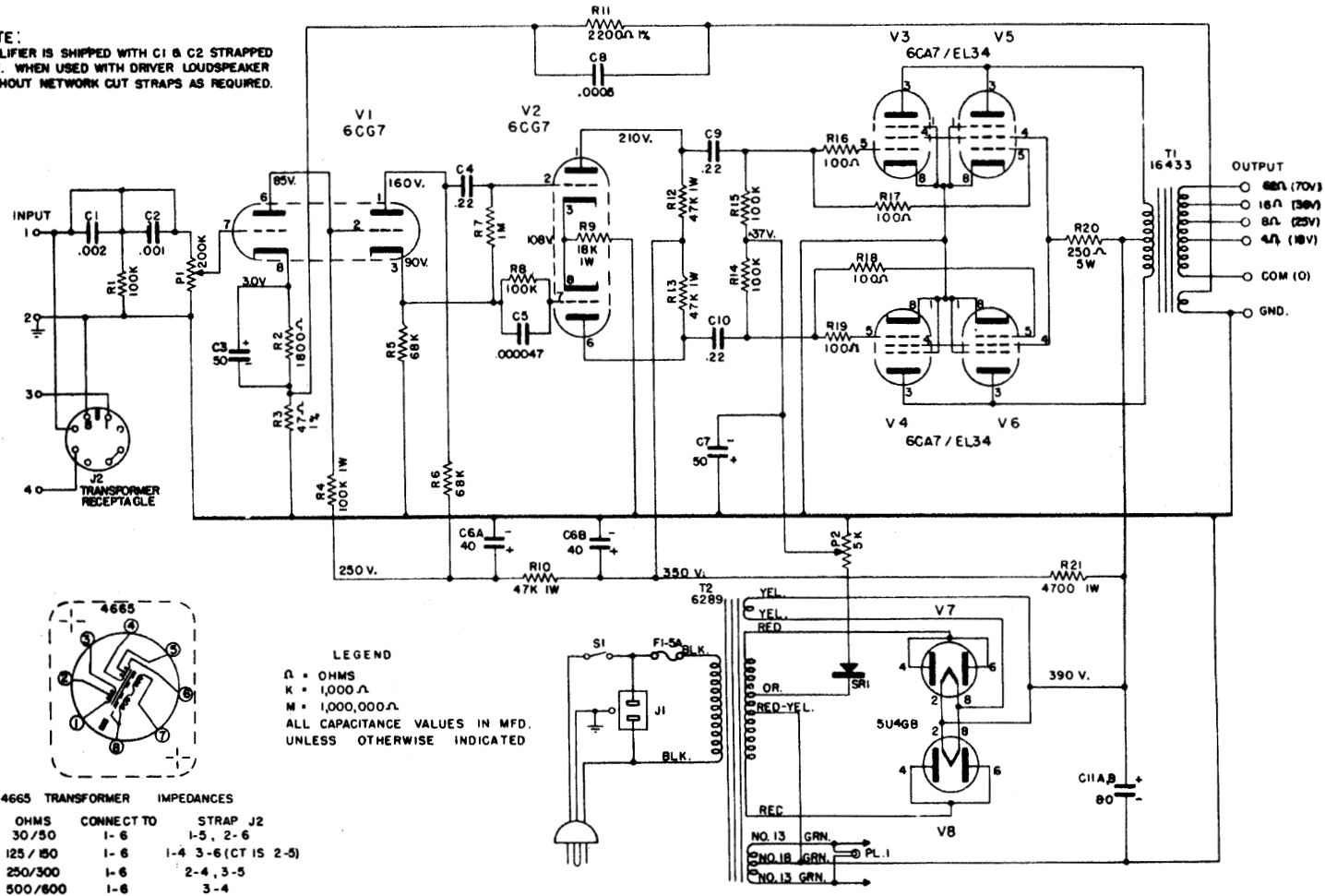


NOTE:  
AMPLIFIER IS SHIPPED WITH C1 & C2 STRAPPED  
OUT. WHEN USED WITH DRIVER LOUDSPEAKER  
WITHOUT NETWORK CUT STRAPS AS REQUIRED.



ALTEC LANSING  
1569A AMPLIFIER

FIRST MADE FOR  
VALVE-BRANDS ENERGY AD SYSTEM PLANT • 1 1/2" DIA. • 1/2" HOLE DIA. • 7/8" H.P. • 1/2" DIA. OVER 1" H.P. • 1/2" DIA. ANGLE • 1/2"

DATE	BY	DATE	BY
1		19-19-58	

**ALTEC**  
 ANAHEIM, CALIFORNIA  
 1569A AMPLIFIER  
 SCHEMATIC  
 A.B. 6340