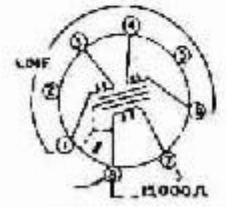
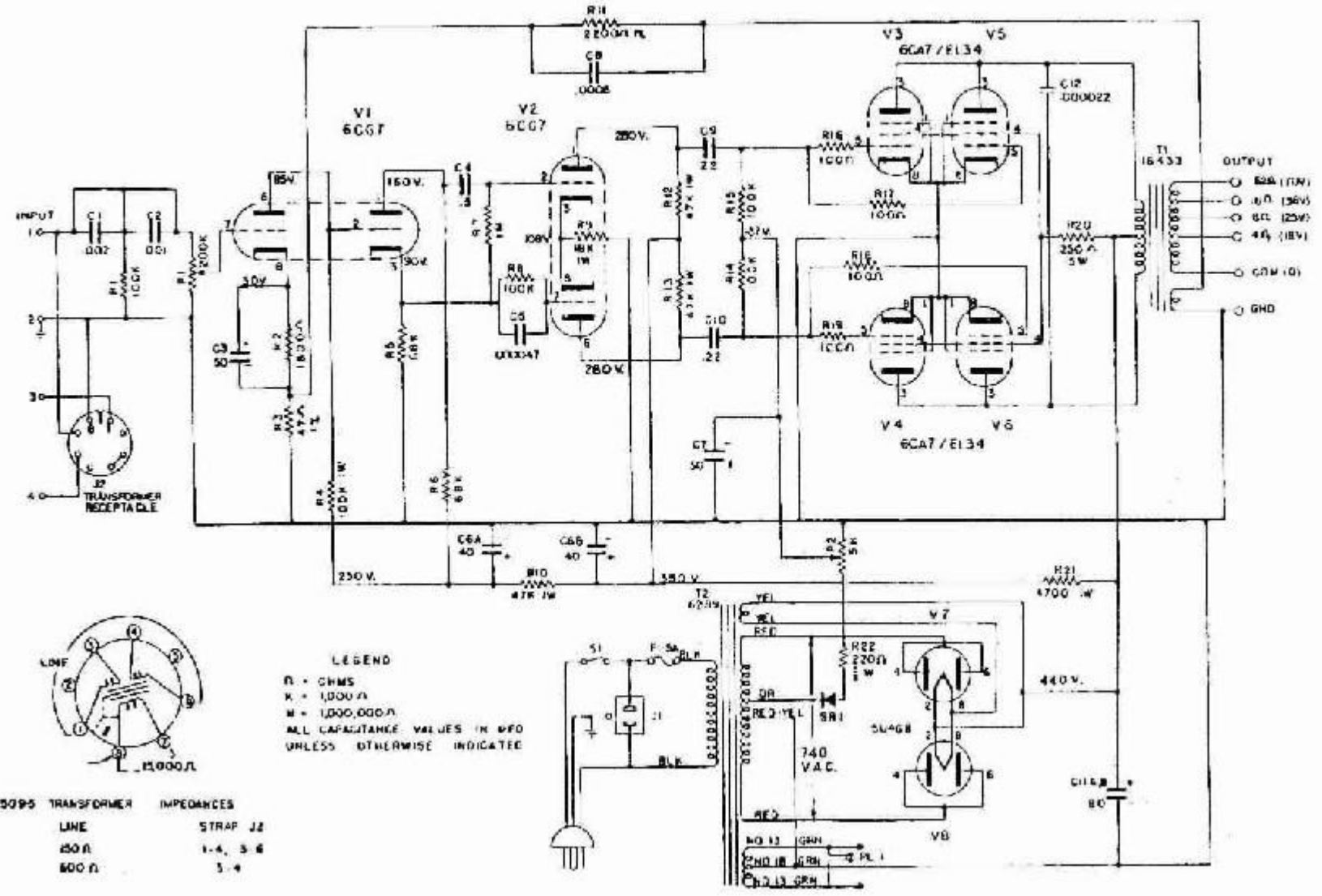


ALTEC 1569A



15095 TRANSFORMER IMPEDANCES

LINE	STRAP J2
50 Ω	1-4, 5-8
600 Ω	3-4

LEGEND
 R = OHMS
 K = 1,000 Ω
 M = 1,000,000 Ω
 ALL CAPACITANCE VALUES IN MFD
 UNLESS OTHERWISE INDICATED

